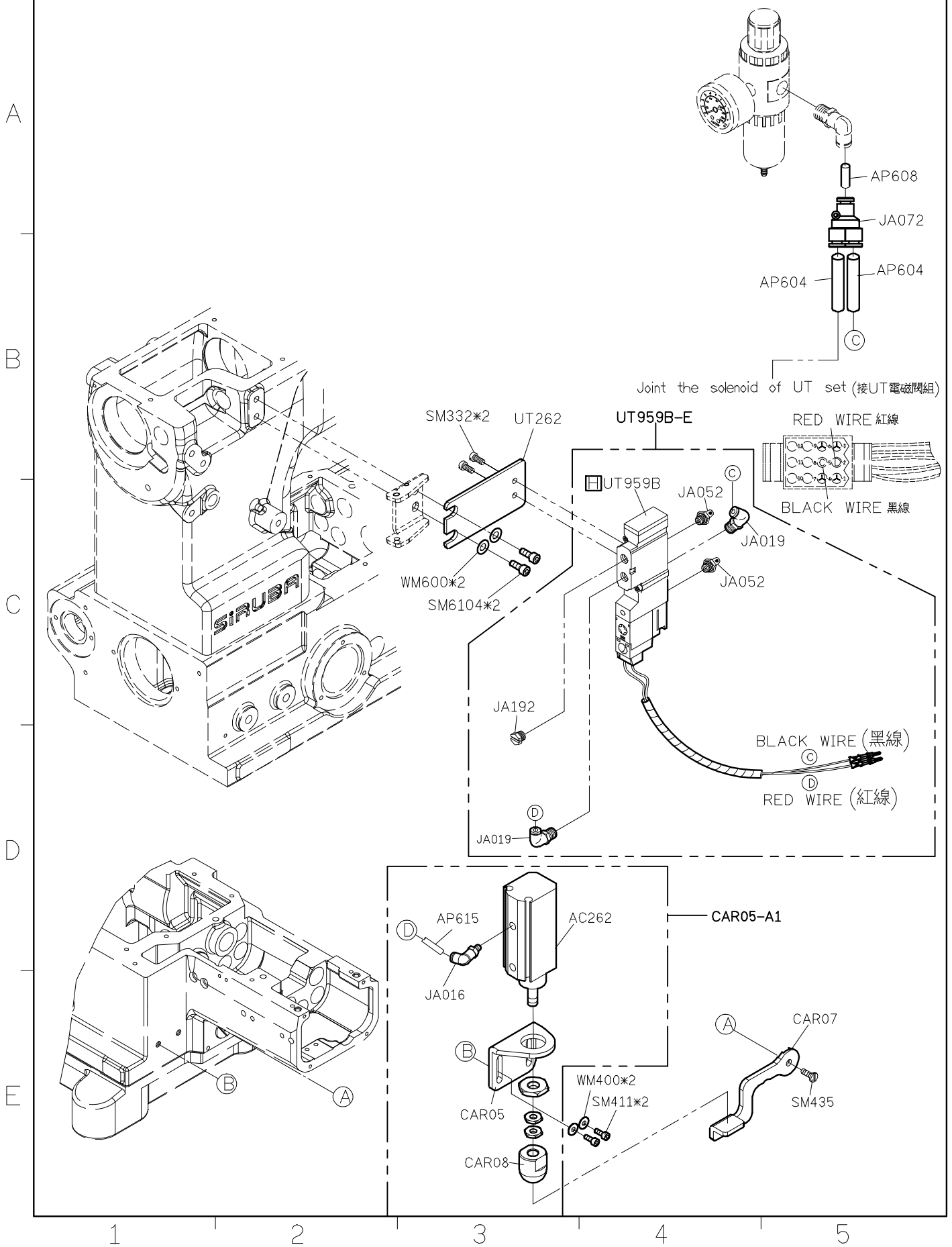
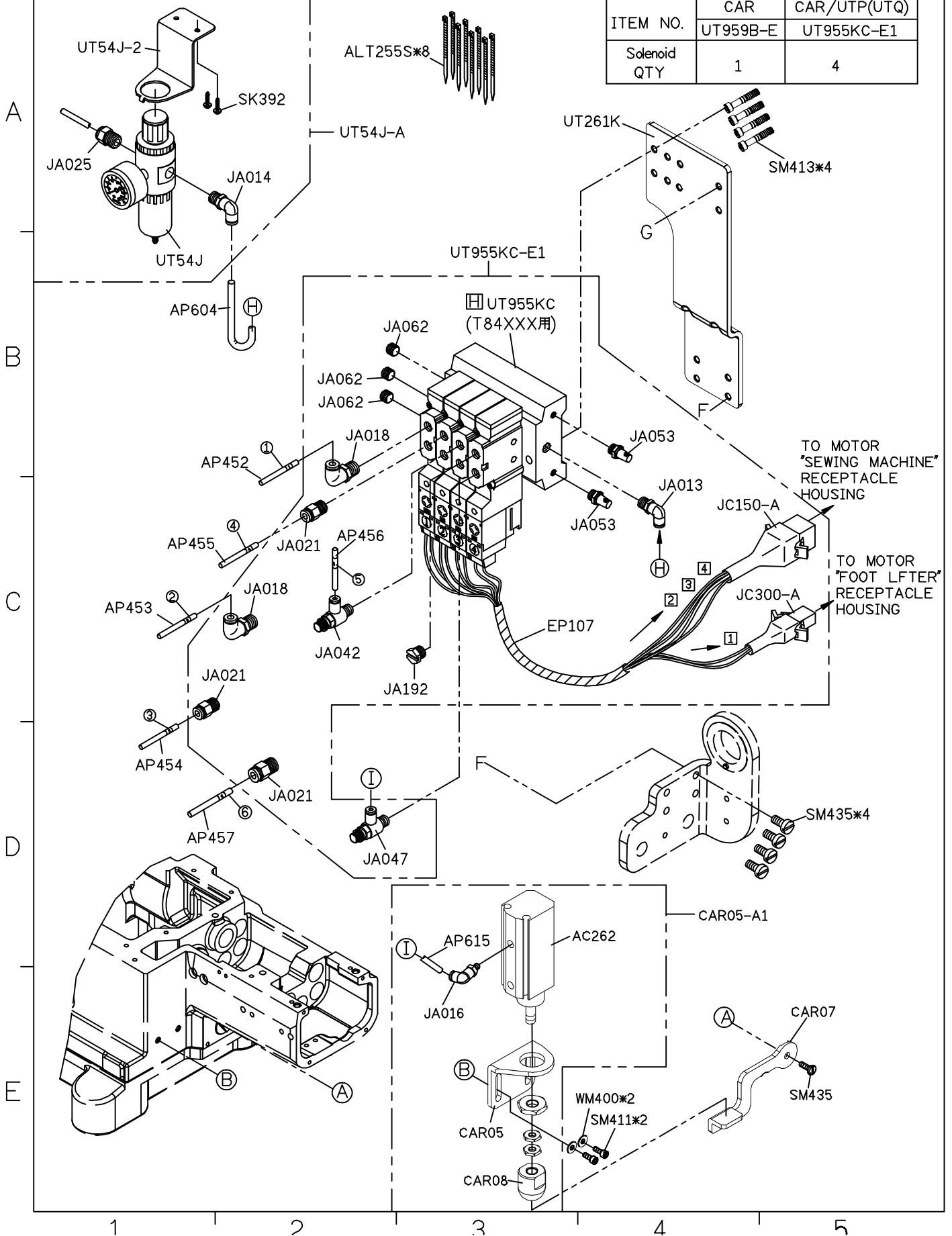


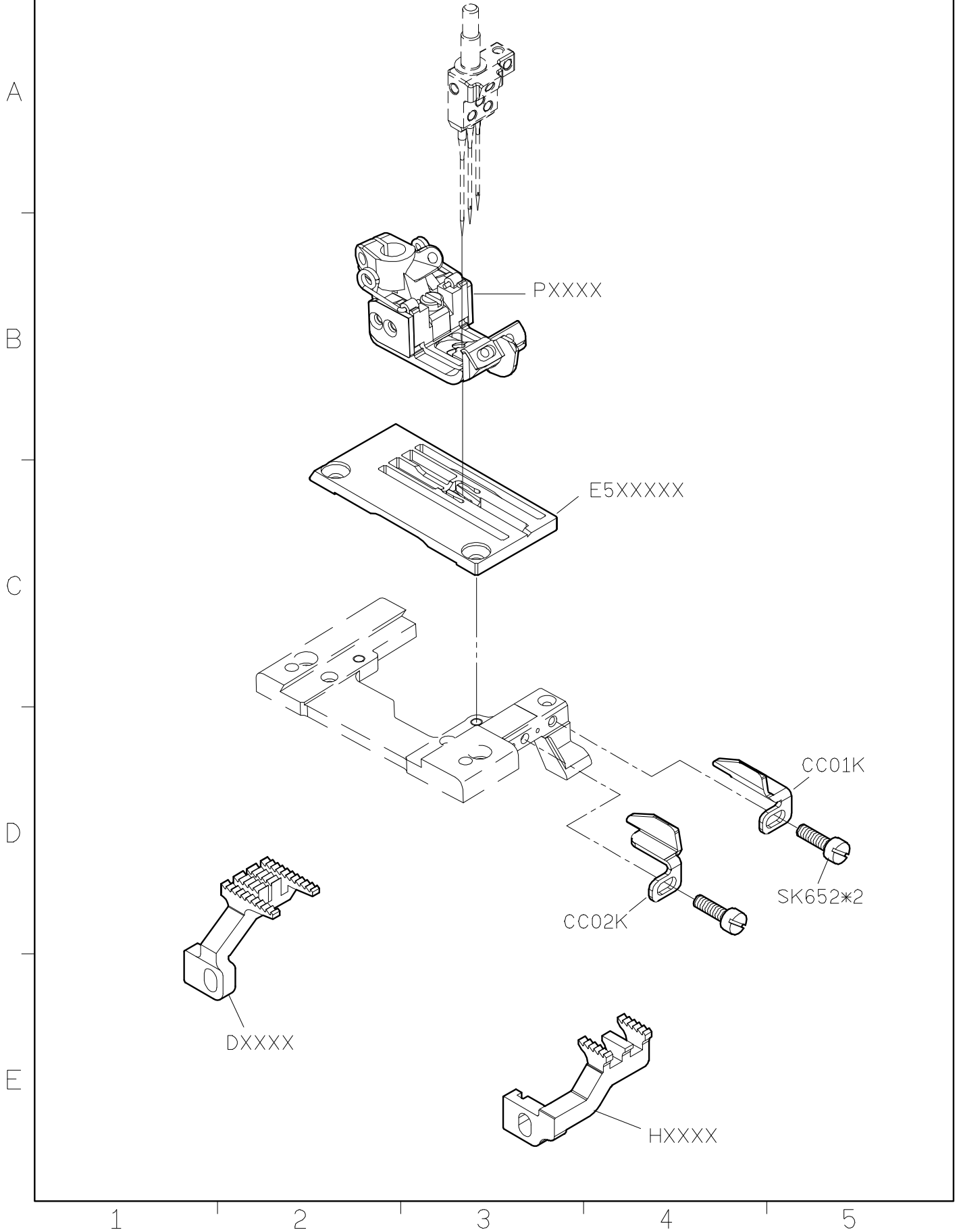
SIRUBA PARTS LIST	Series	Parts Group	Subclass Remark	Page
	C007K/C007KD C007KP/C858K	CAR	For C007K/C858K/C007KD add SAR to the type UT ☐ : Use for H brand motor (HVP-20)	1/2
				Date
				2016/8/29



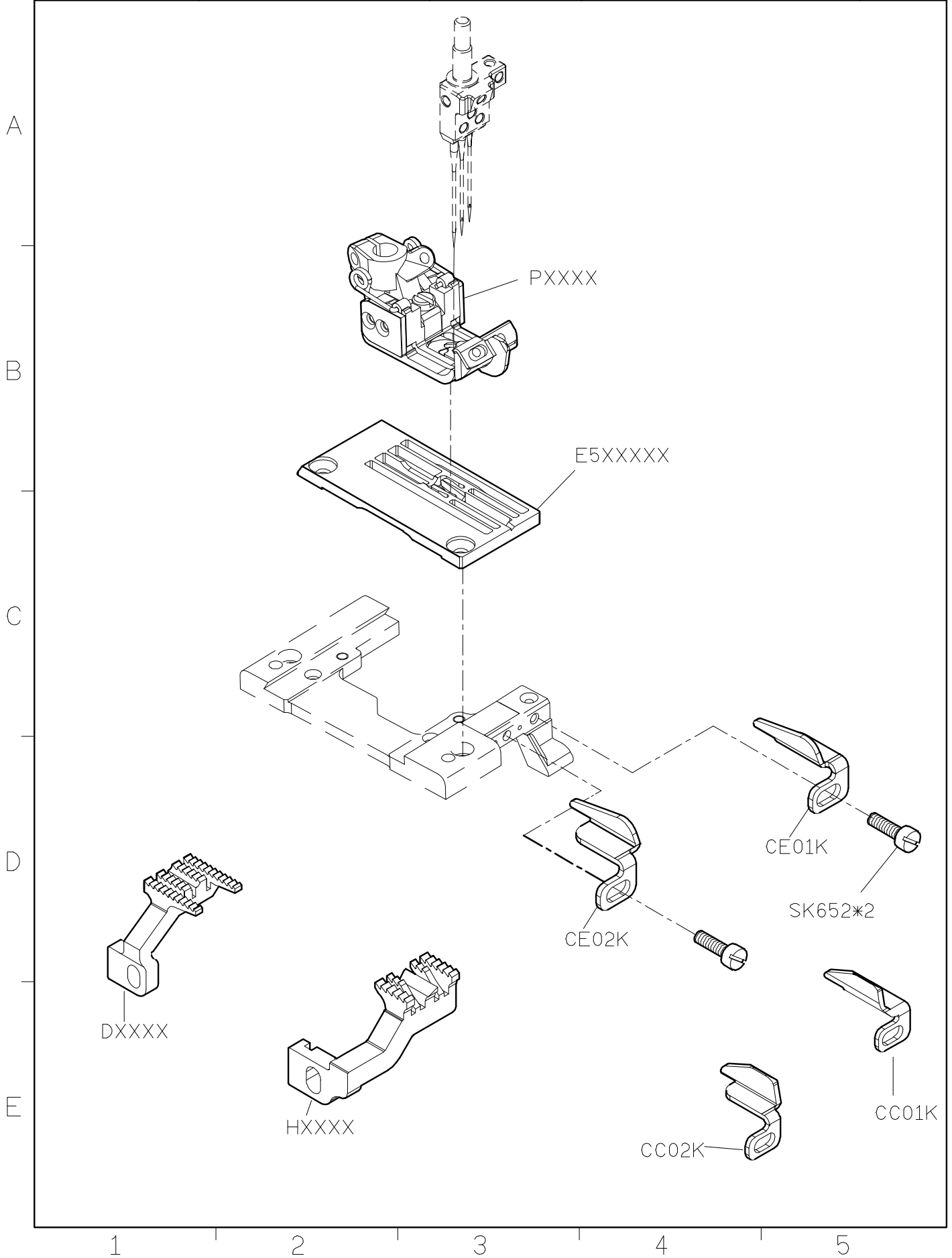
ITEM NO.	CAR	CAR/UTP(UTQ)
	UT959B-E	UT955KC-E1
Solenoid QTY	1	4

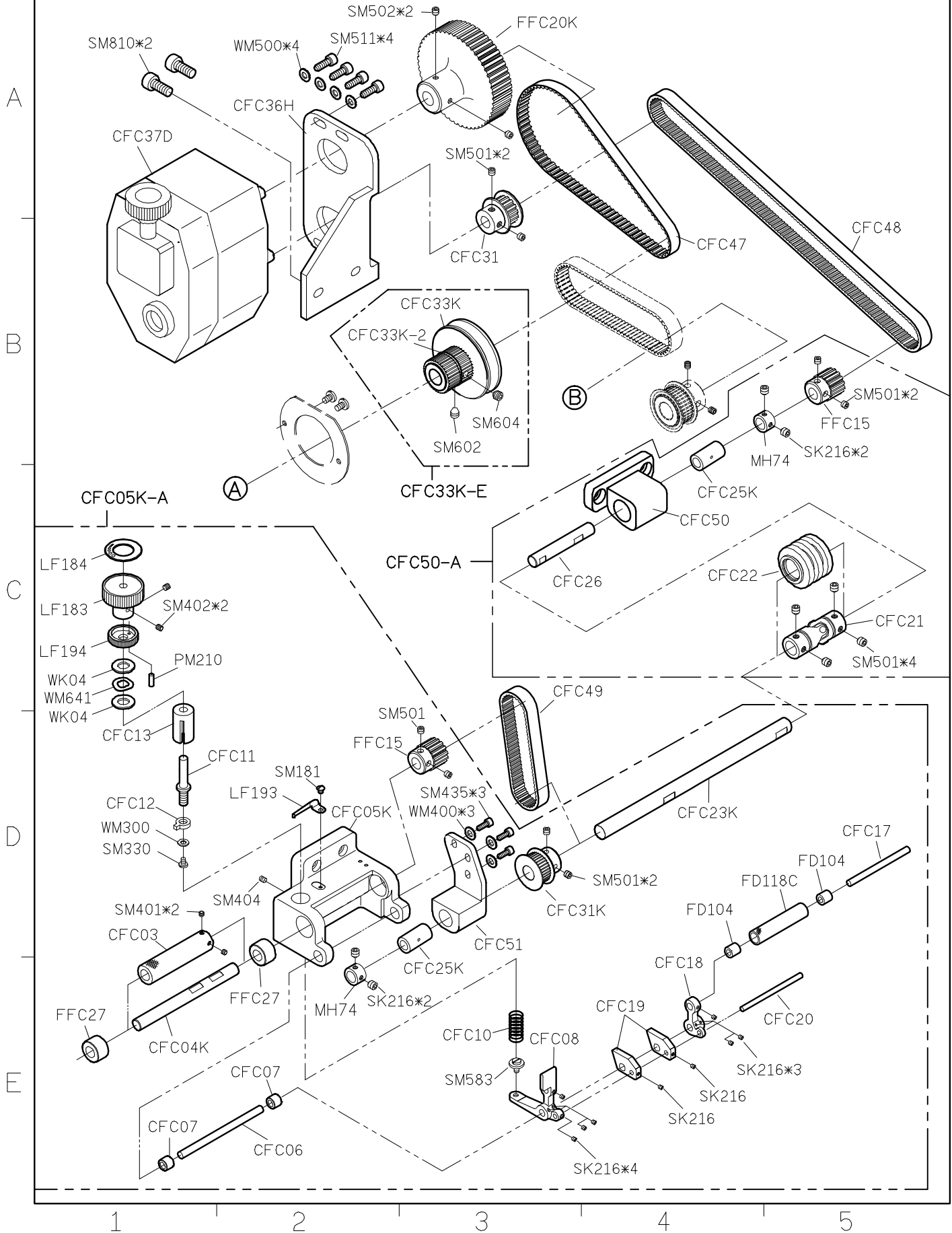


SiRUBA PARTS LIST	Series	Parts Group	Subclass / Remark	Page
	C007K/C007KD C007KP/C858K C007L/C007LX	CC-K		1/1
				Date 2016/8/29

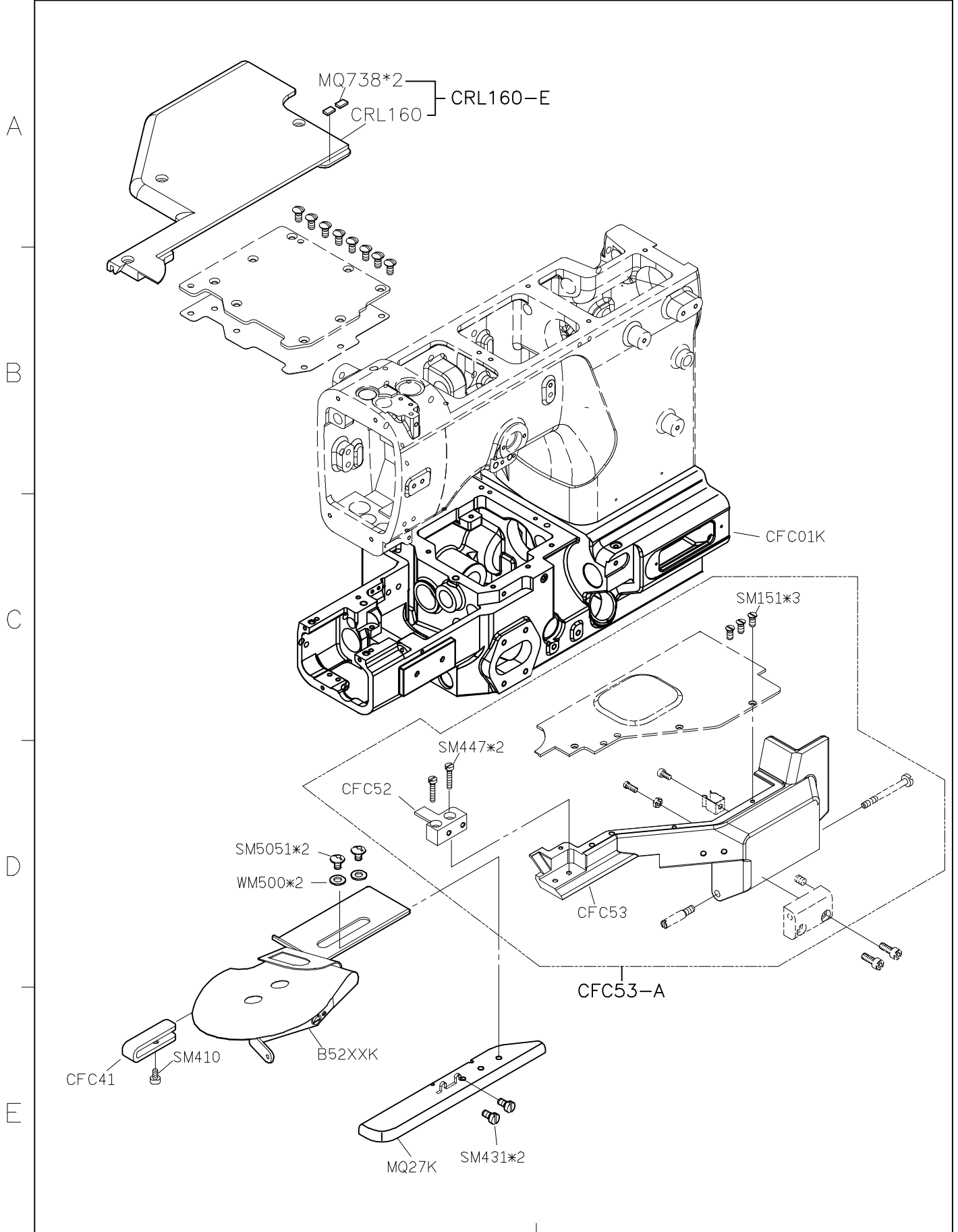


SIRUBA PARTS LIST	Series	Parts Group	Subclass / Remark	Page
	C007K/C007KD	CE-K		1/1
	C007KP/C858K			Date
	C007L/C007LX			2021/11/2

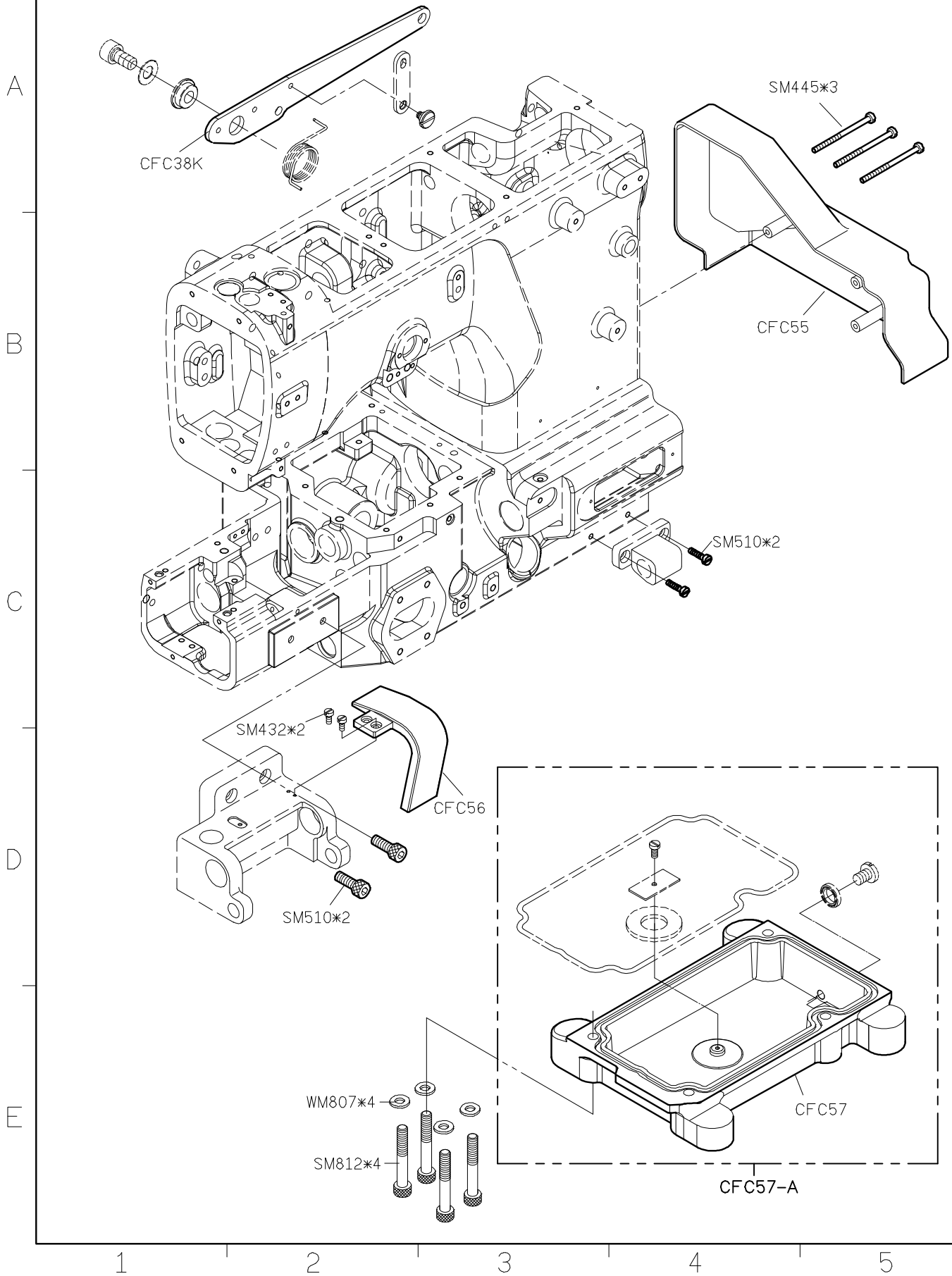




SIRUBA PARTS LIST	Series	Parts Group	Subclass / Remark	Page
	C007KP/C007K	CFC-K		2/4
				Date
				2023/12/20

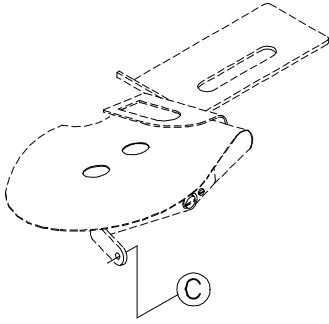


SIRUBA PARTS LIST	Series	Parts Group	Subclass / Remark	Page
	C007KP	CFC-K	For C007K/C858K	3/4
	C007K/C858K			Date
				2018/8/29



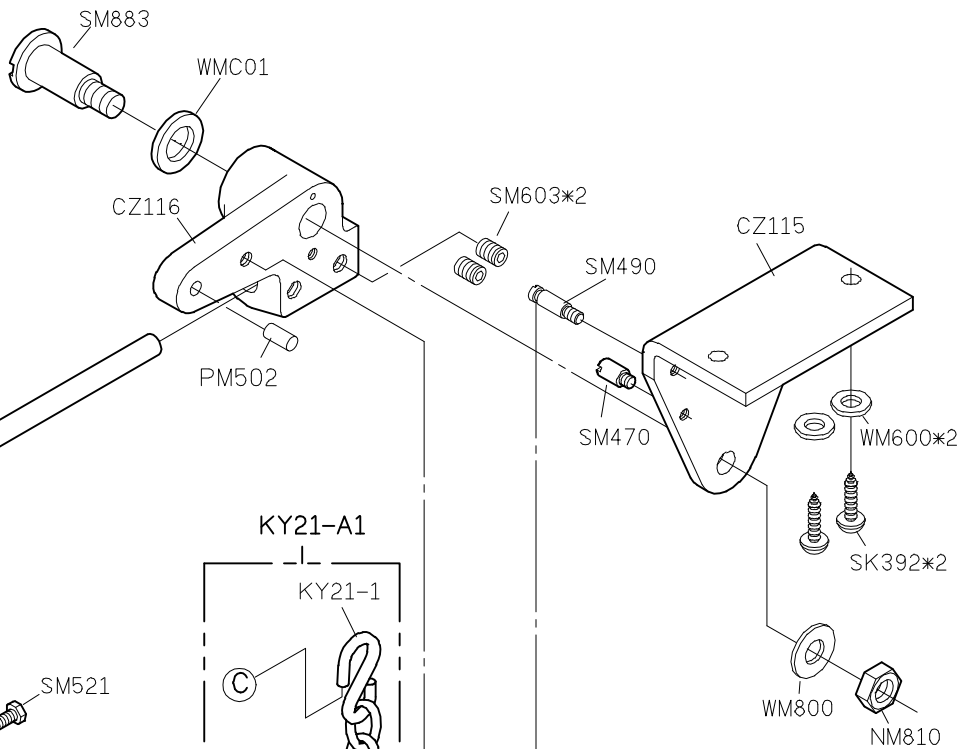
SIRUBA PARTS LIST	Series	Parts Group	Subclass / Remark	Page
	C007KP/C007K	CFC-K		4/4
				Date
				2023/12/20

A



CFC45-A

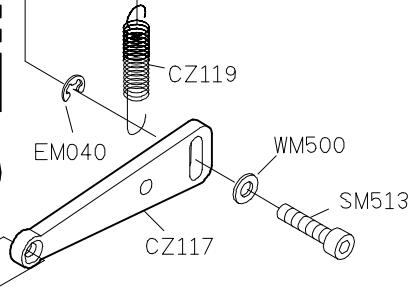
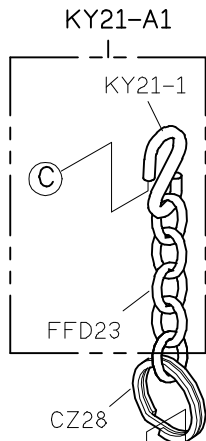
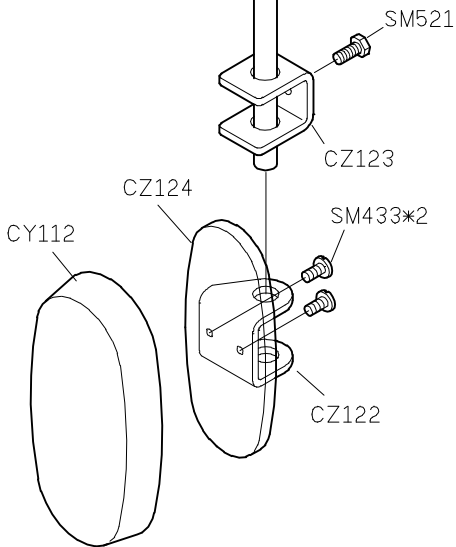
B



C

D

E



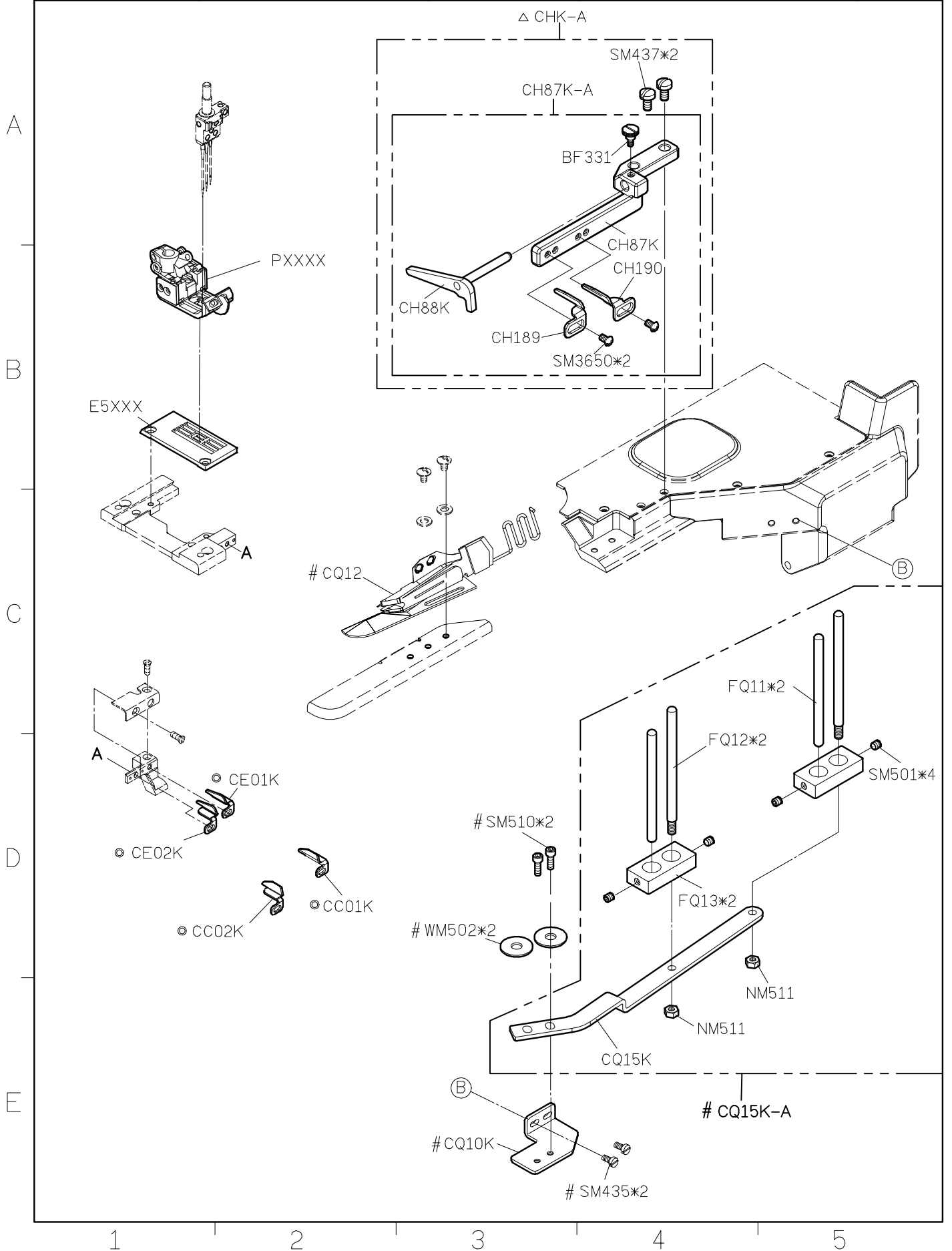
1

2

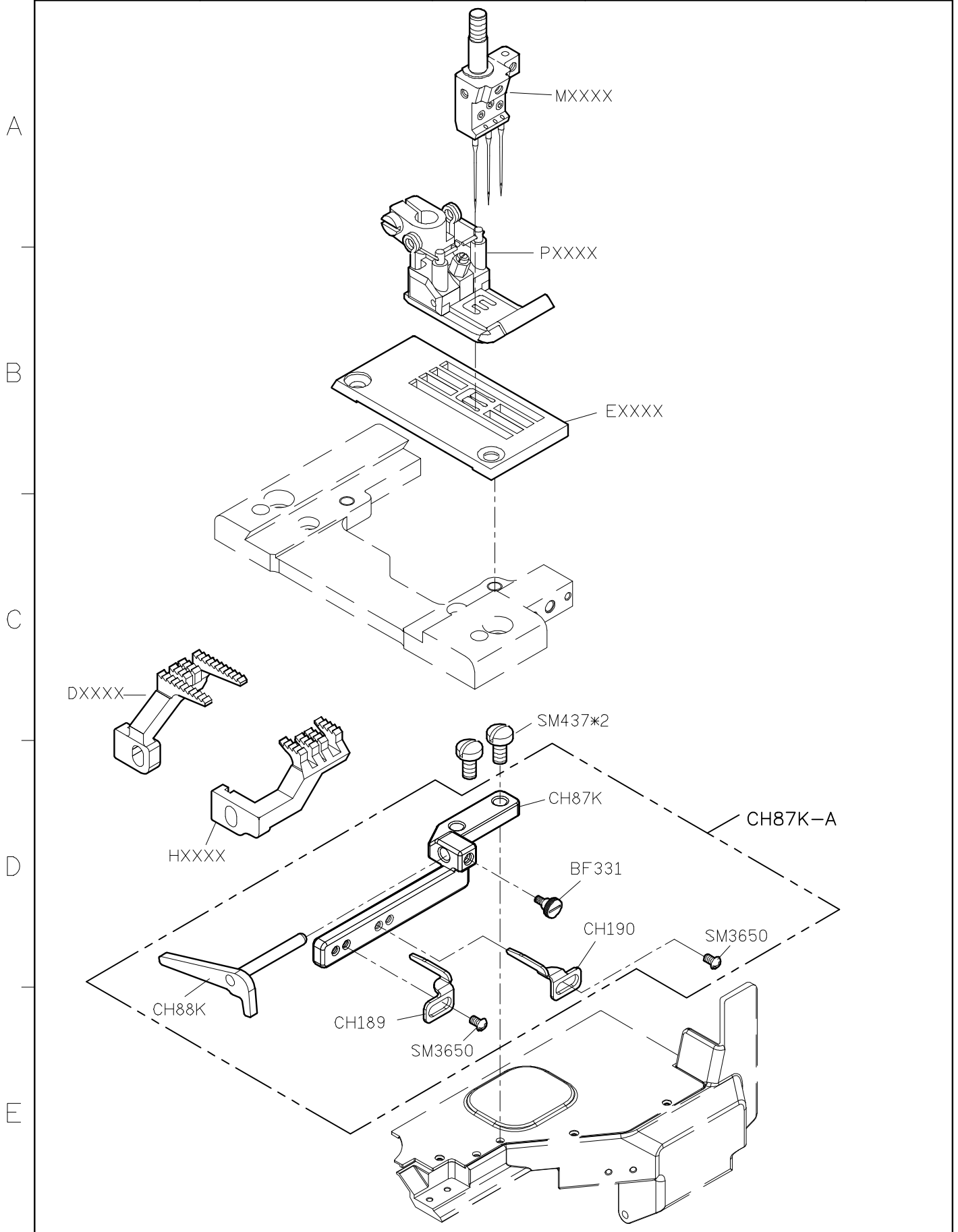
3

4

5



SiRUBA PARTS LIST	Series	Parts Group	Subclass / Remark	Page
	C007K/C007KD	CH-K		1/1
	C858K/C007KP			Date
	C007L/C007LX			2018/4/18



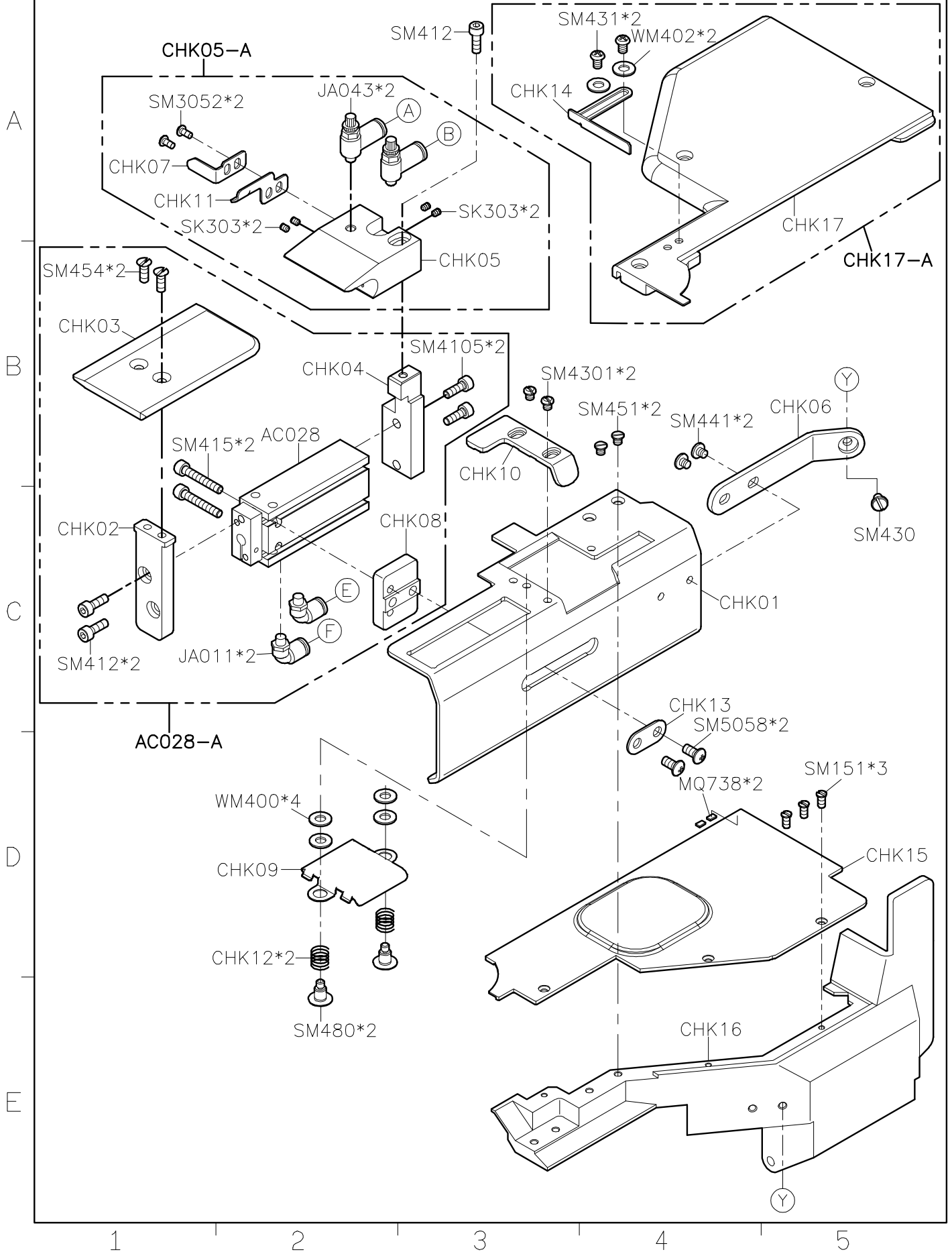
1

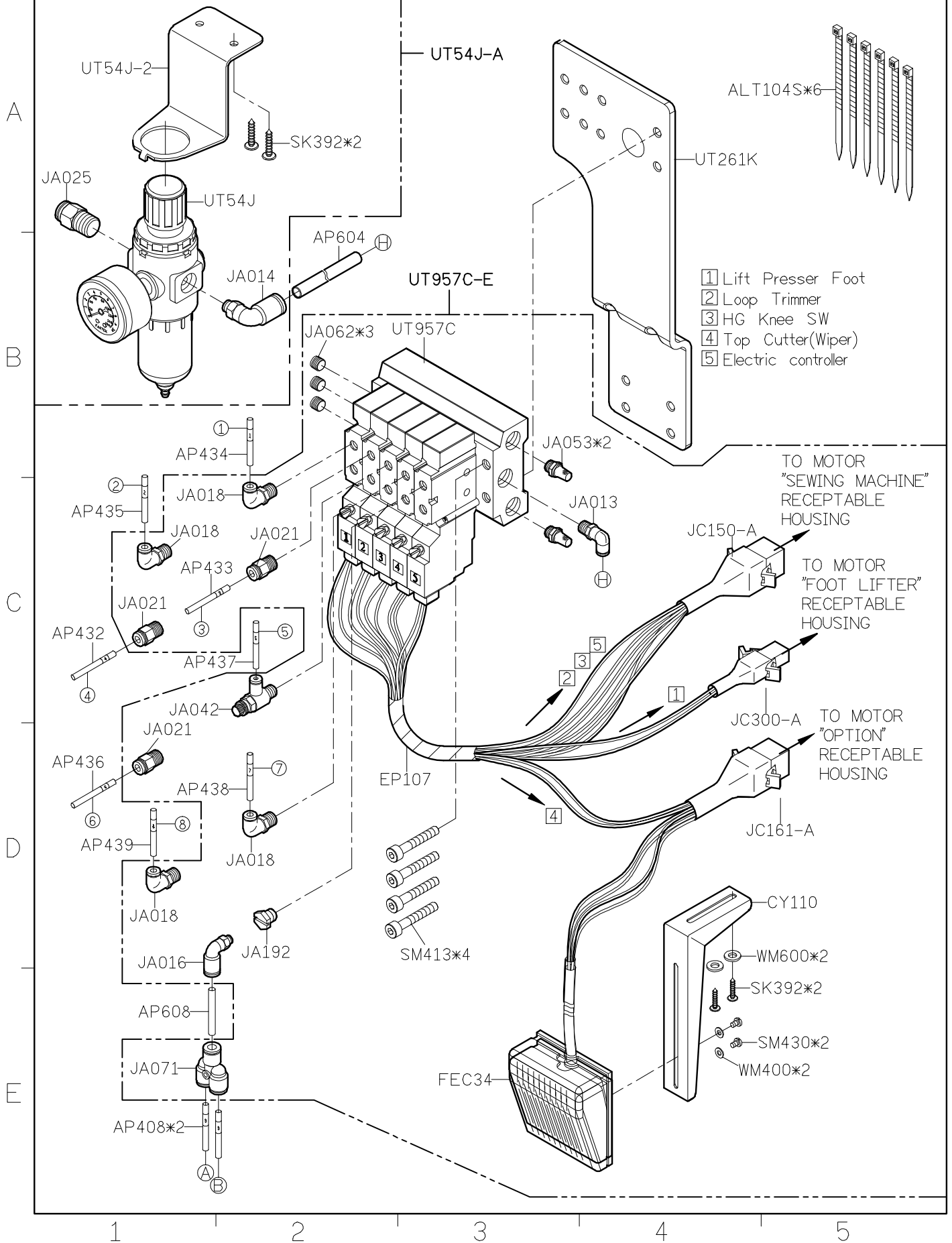
2

3

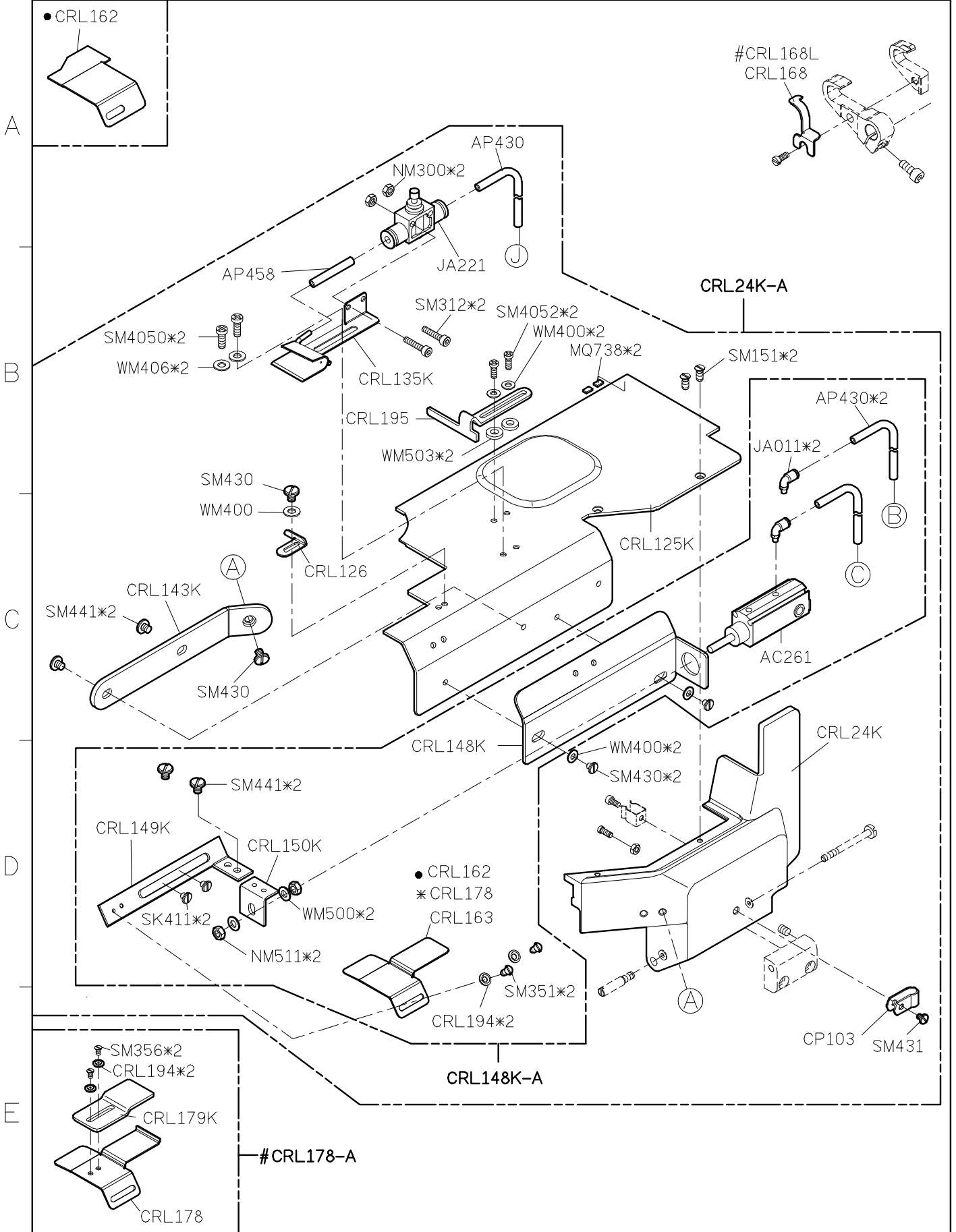
4

5

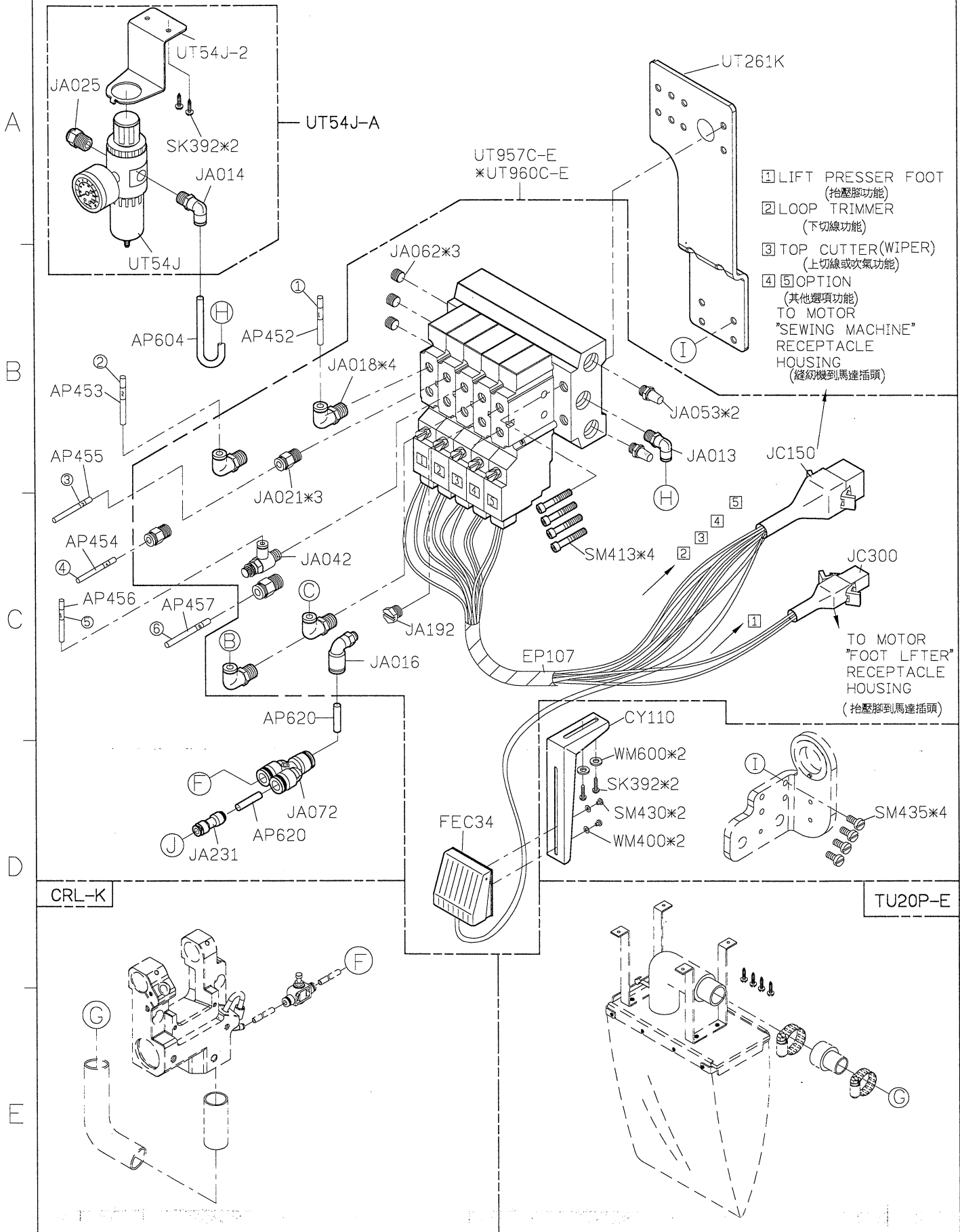




SIRUBA PARTS LIST	Series	Parts Group	Subclass / Remark	Page
	C007KP/C007K	CHP(CY) /UTP-K	Note : Type CHP is collocated with UTP ● : Use for general machine to re-equip # : Use for CY to re-equip	1/2
	C858K			Date
				2021/8/25



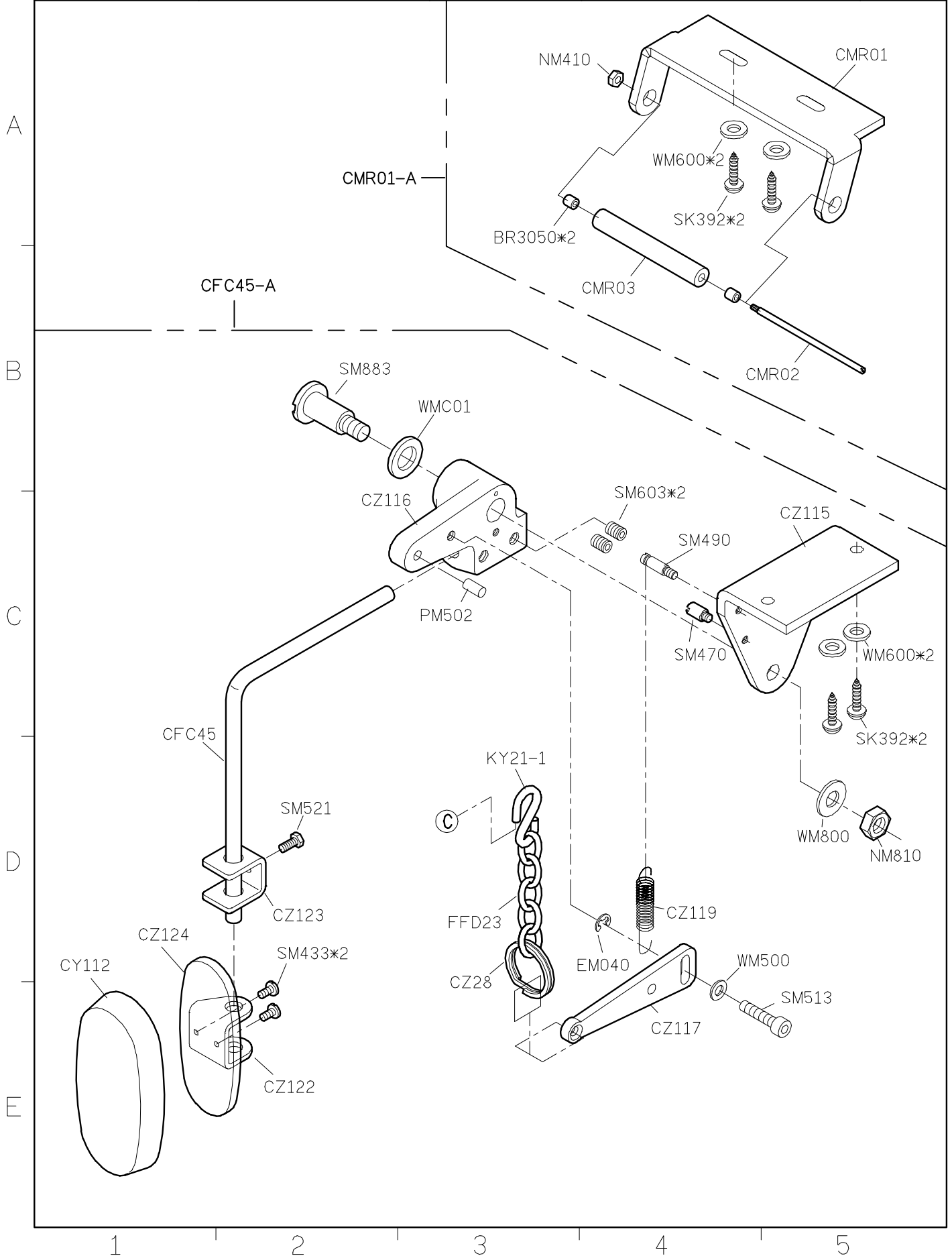
<b>SIRUBA</b> PARTS LIST	Series	Parts Group	Subclass / Remark	Page
	C007KP/C007K C858K	CHP(CY) /UTP-K	i70M * : i60S.DCT101ADE	2/2
				Date 2019/09/17



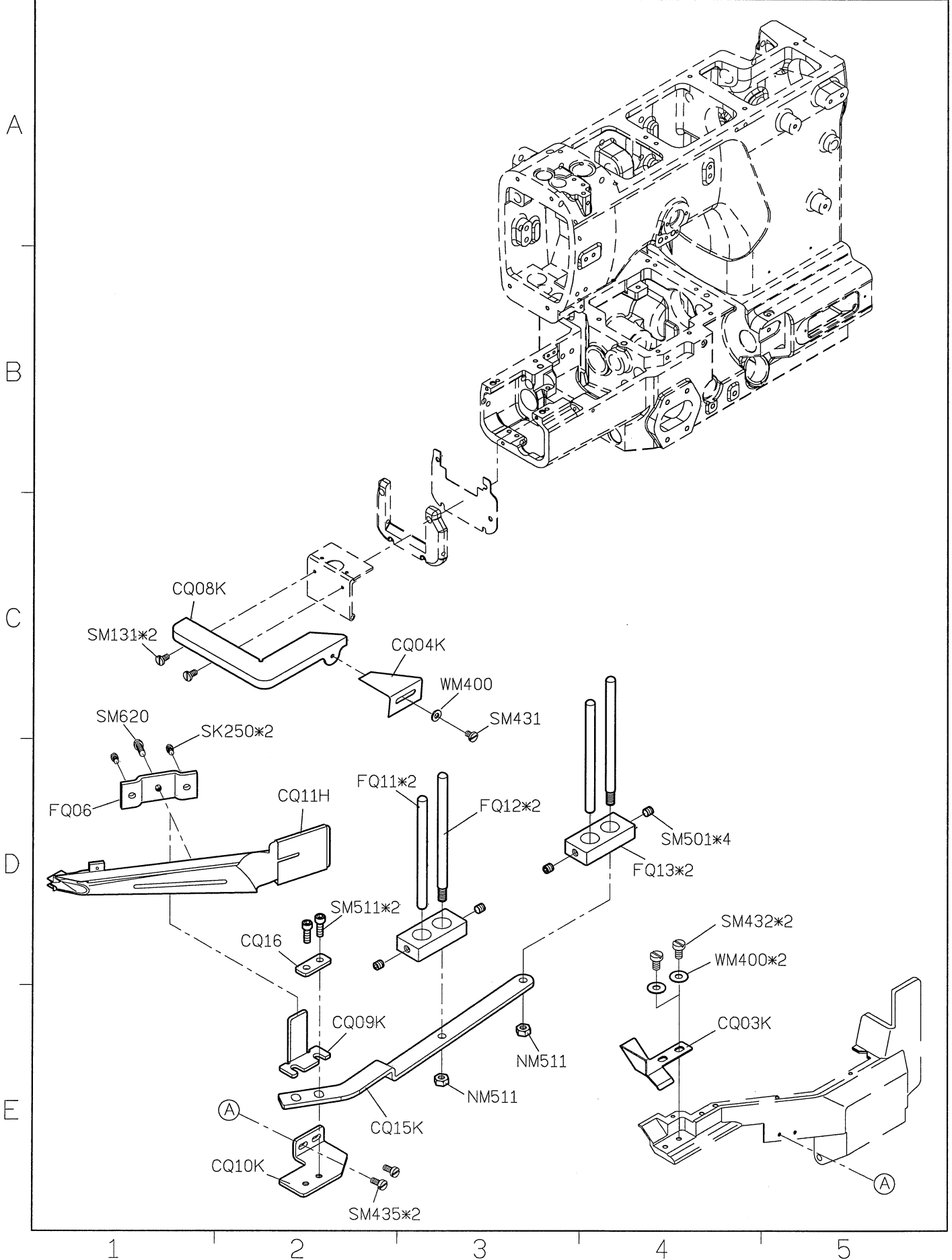
CRL-K

TU20P-E

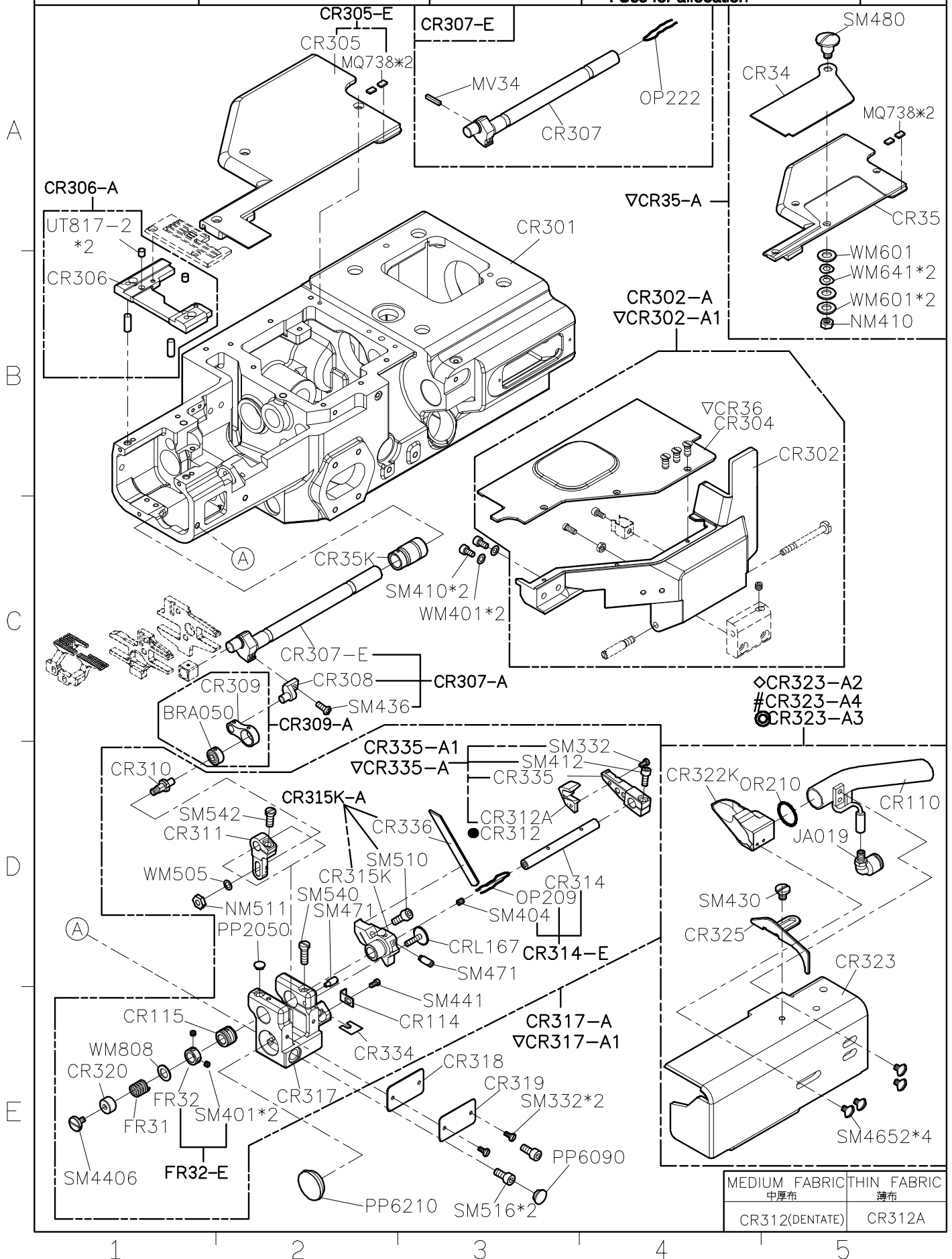
SIRUBA PARTS LIST	Series	Parts Group	Subclass / Remark	Page
	C007K/C007KD	CMR-K		1/1
	C007KP/C858K			Date
	S007K/S007KD			2018/8/29



SiRUBA PARTS LIST	Series	Parts Group	Subclass / Remark	Page
	C007K/C007KD C858K	CQ-K		1/1
				Date
				2016/8/29

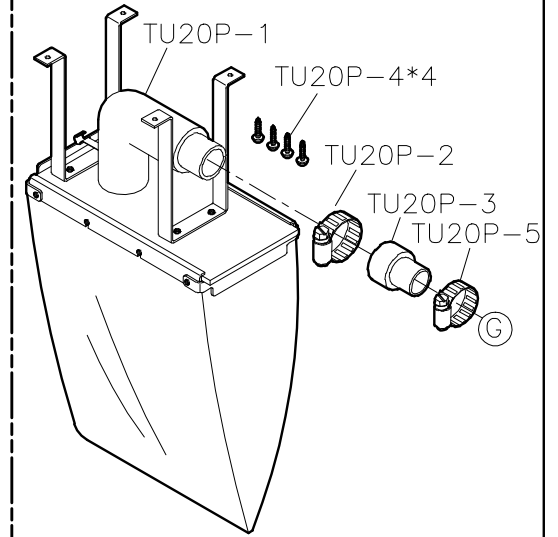
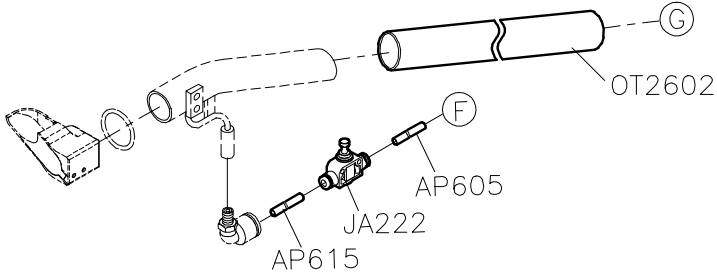


- ◇ : Use for Basic CR
- # : Use for CX
- ◎ : Use for CR/CX
- ▽ : Use for attach FFC
- : Use for allocation



SIRUBA PARTS LIST	Series	Parts Group	Subclass / Remark	Page
	C007K/C007KD	CR-K	* : UTP/UTQ is not collocatec with	2/3
	C007L/C007LX			Date
	C858K			2021/8/24

A

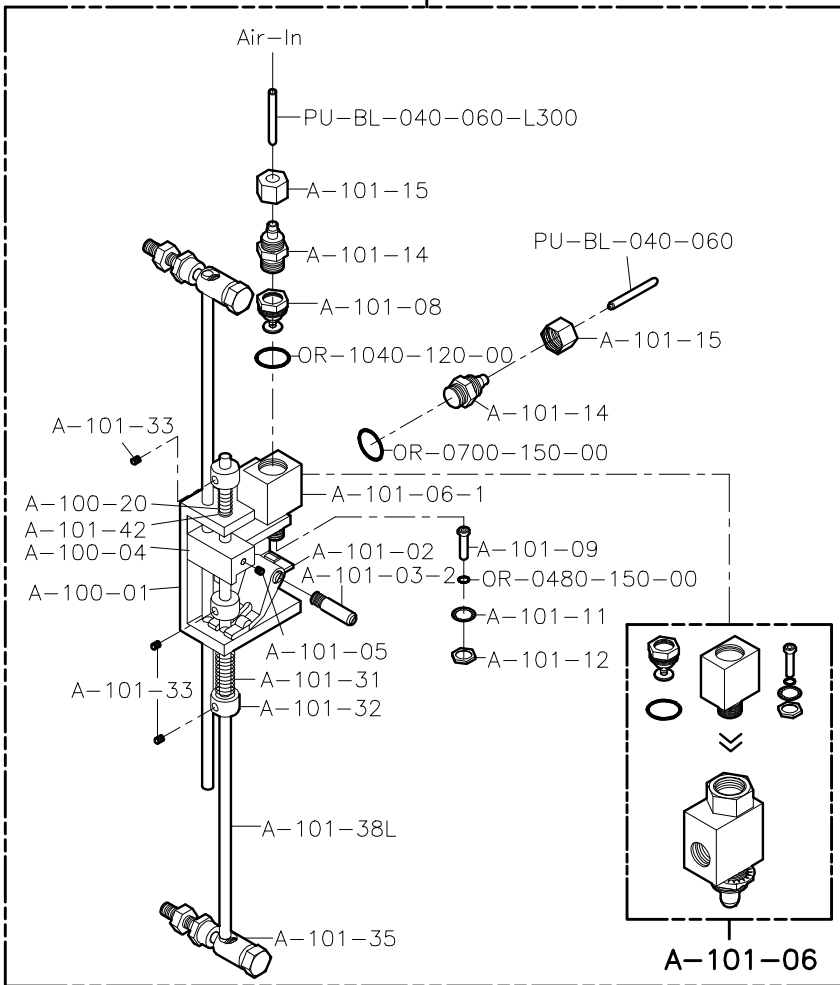


B

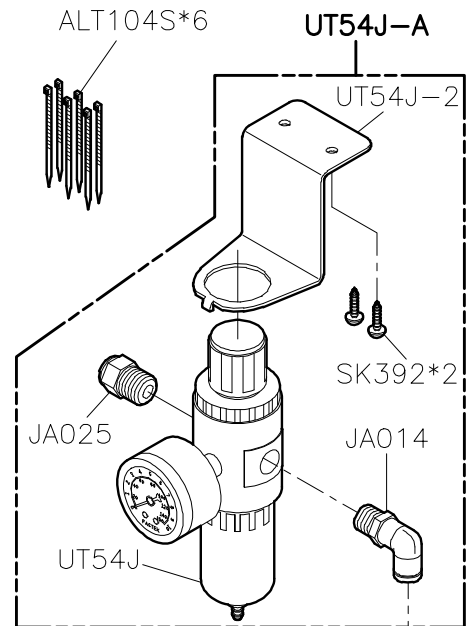
\*A-100ST-E

TU20P-E

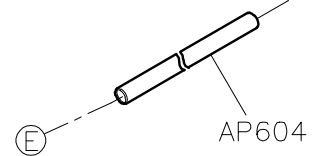
C



D



E



1

2

3

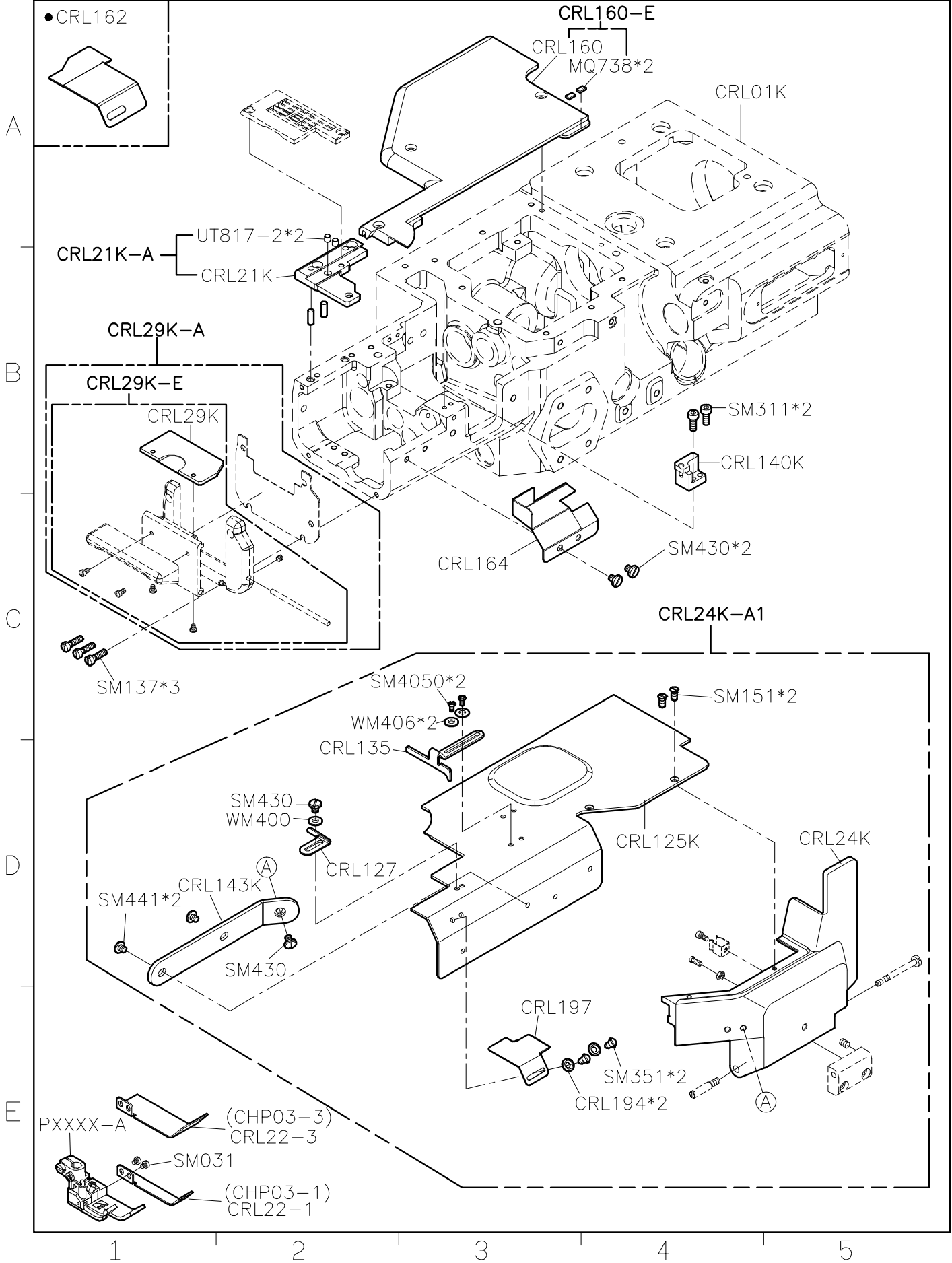
4

5

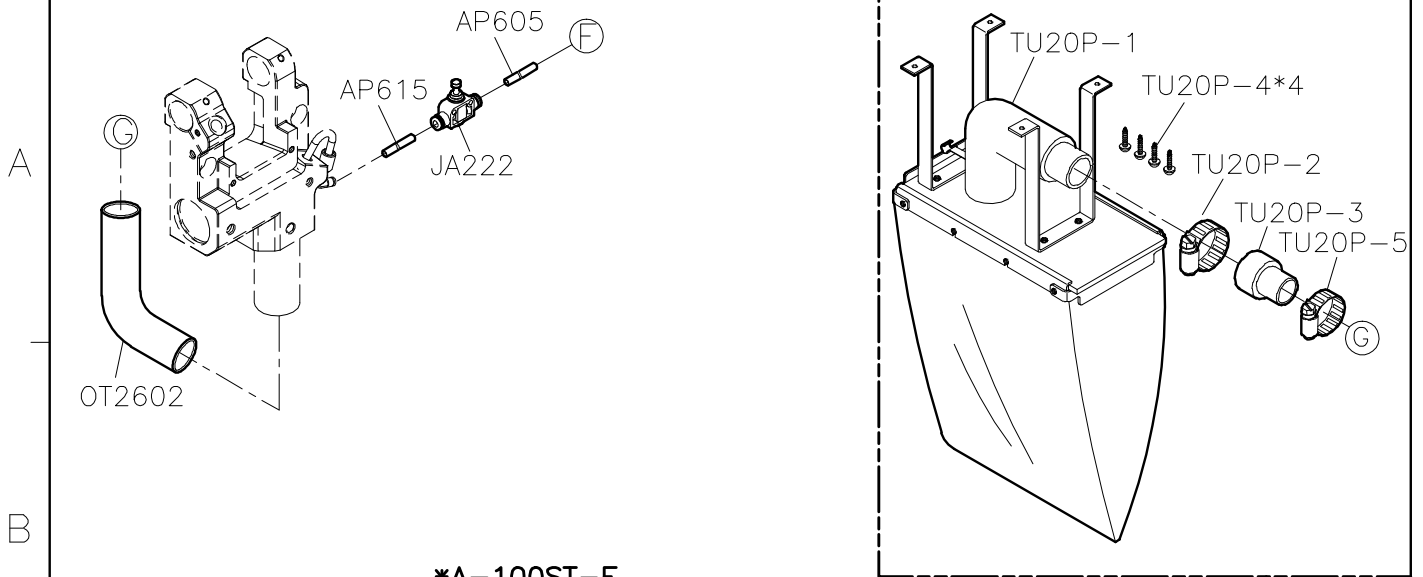




SIRUBA PARTS LIST	Series	Parts Group	Subclass / Remark	Page
	C007KP/C007K C858K	<b>CRL-K</b>	• : Use for general machine to re-equip	2/4
				Date 2025/3/25

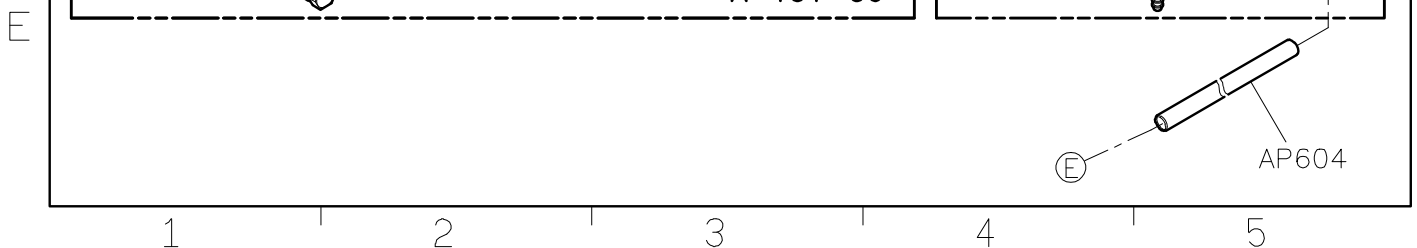
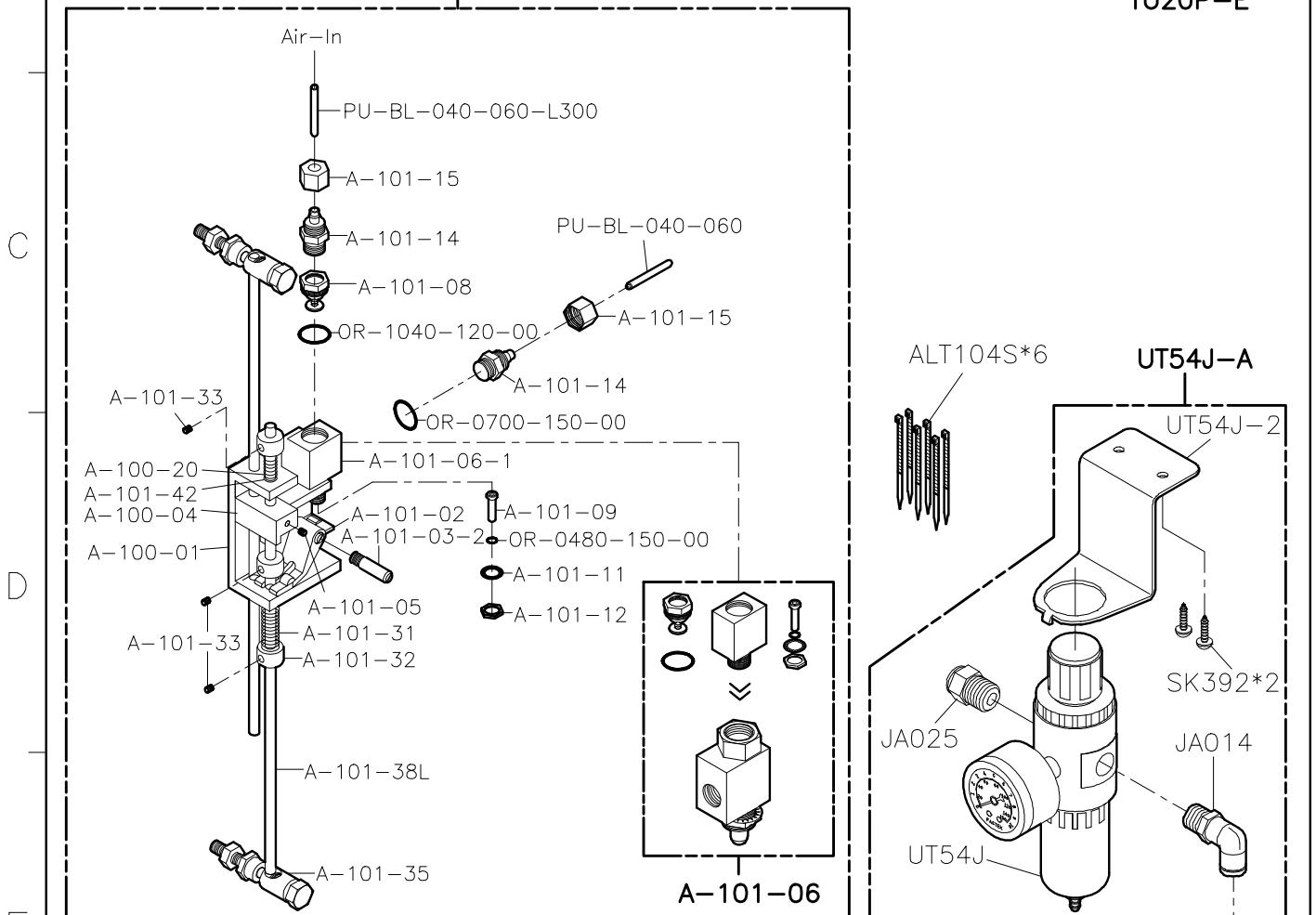


SIRUBA PARTS LIST	Series	Parts Group	Subclass / Remark	Page
	C007KP/C007K C858K	<b>CRL-K</b>	* : UTP/UTQ is not collocatec with	3/4
				Date
				2021/6/24



\*A-100ST-E

TU20P-E



1

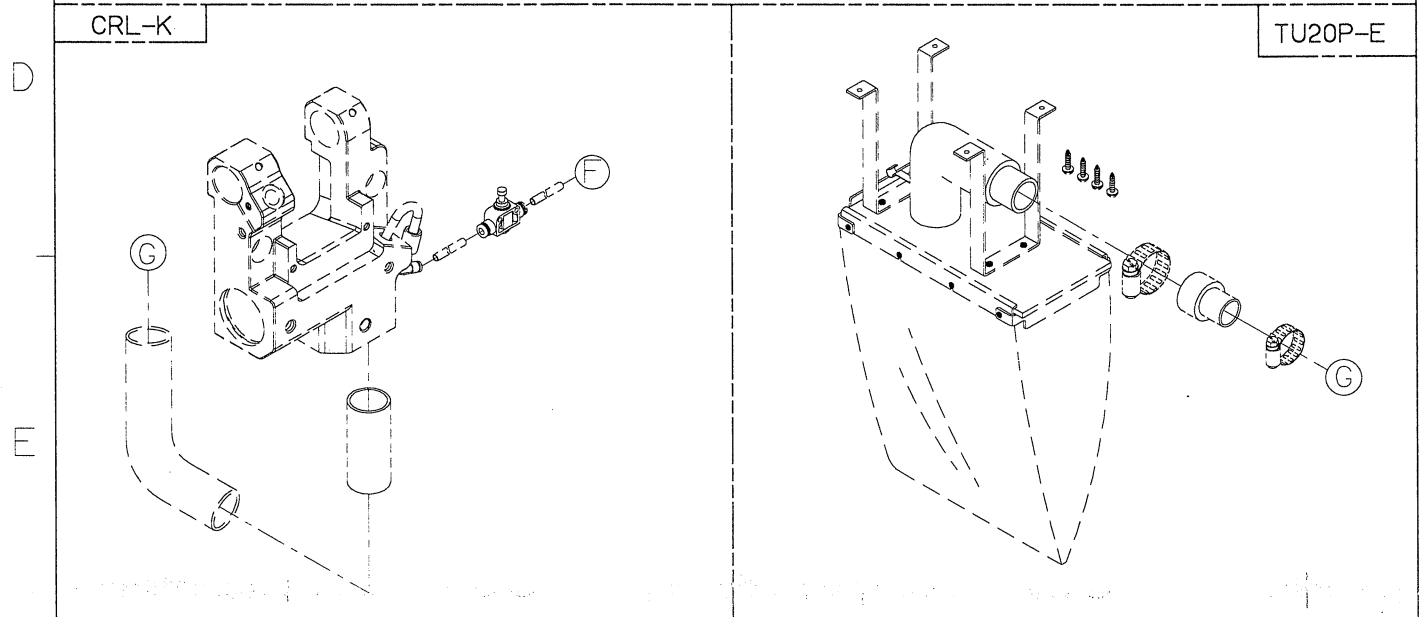
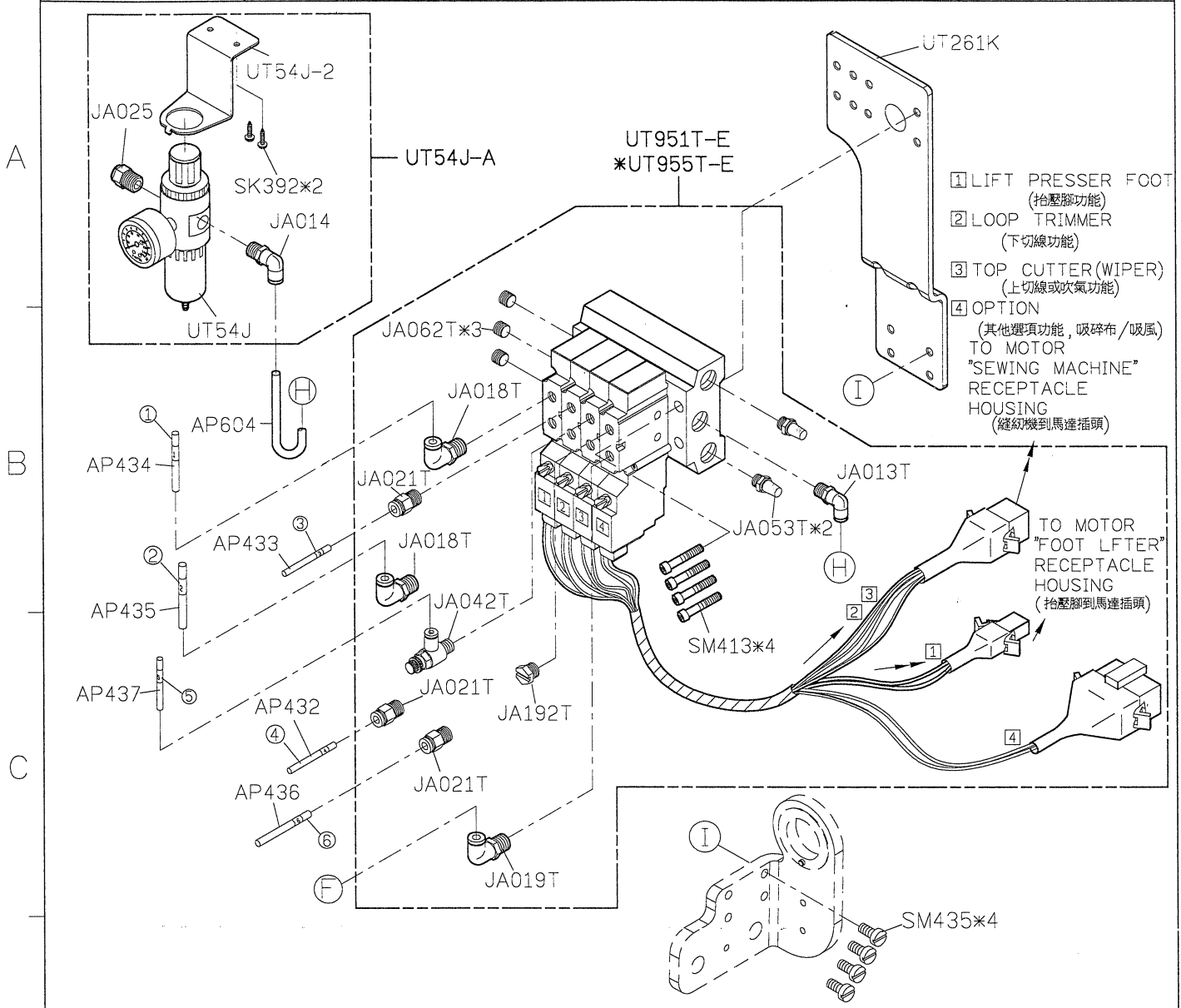
2

3

4

5

<b>SIRUBA</b> PARTS LIST	Series	Parts Group	Subclass / Remark	Page
	C007KP/C007K C858K	<b>CRL-K</b>	[H] i70M.i60S.DCP101ADE * : T=DCT101ADE	4/4
				Date
				2019/09/17



<b>SIRUBA</b>  <b>PARTS LIST</b>	<b>Series</b>	<b>Parts Group</b>	<b>Subclass / Remark</b>	<b>Page</b>
	C007K/C007KD	<b>CW-K</b>		1/4
	C007KP/C858K			<b>Date</b>
	C007L/C007LX			2021/1/28

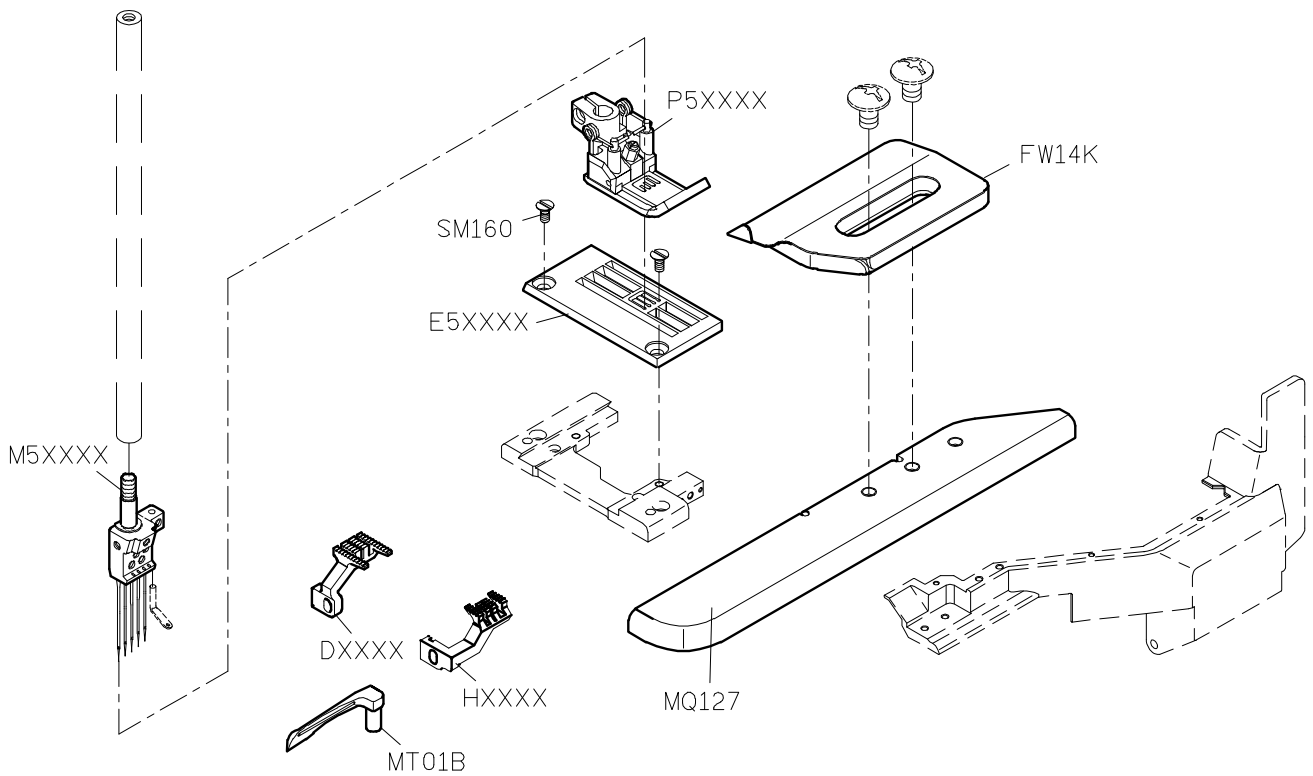
A

B

C

D

E



1

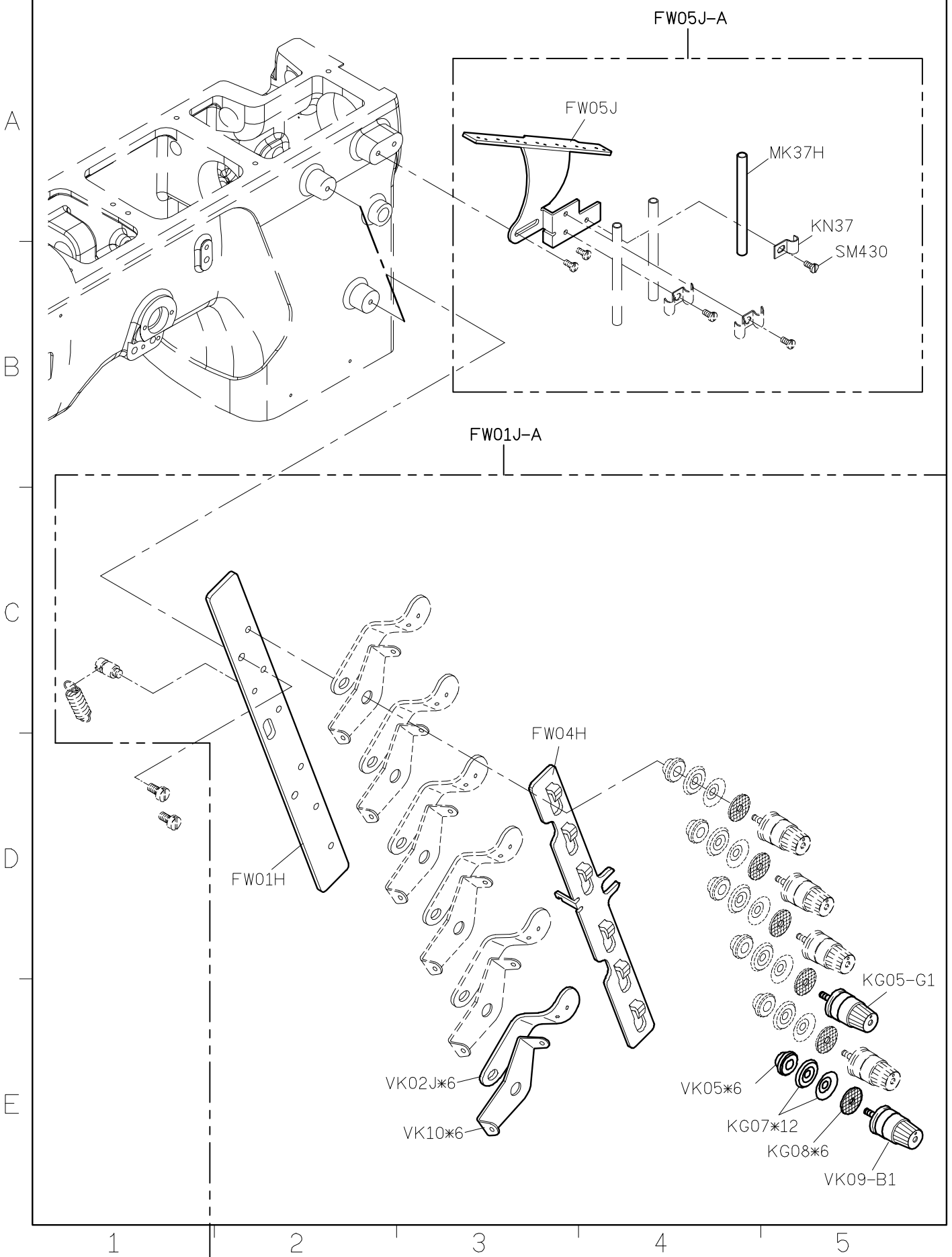
2

3

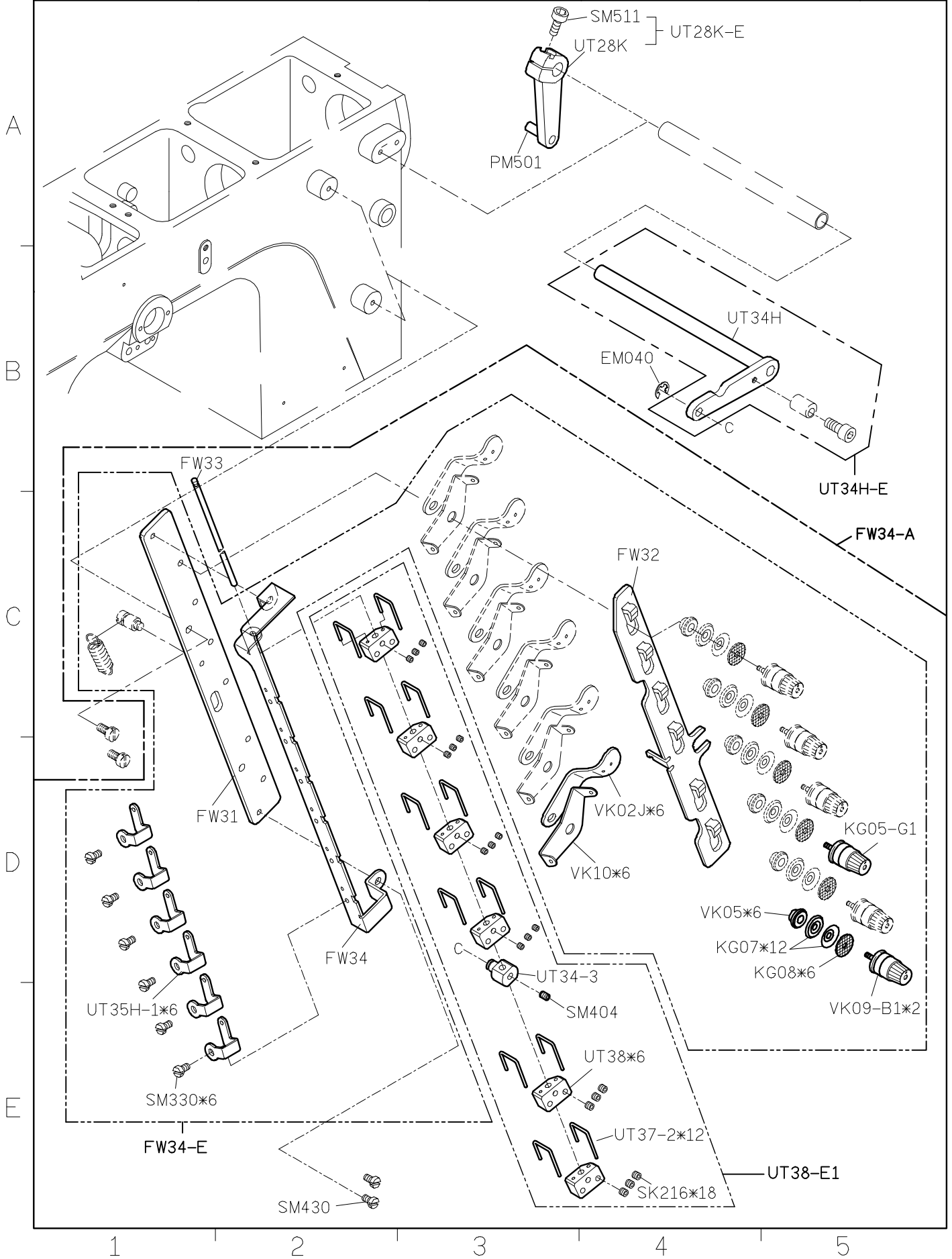
4

5

SIRUBA PARTS LIST	Series	Parts Group	Subclass / Remark	Page
	C007K/C007KD	CW-K		2/4
	C007KP/C858K			Date
	C007L/C007LX			2021/1/28

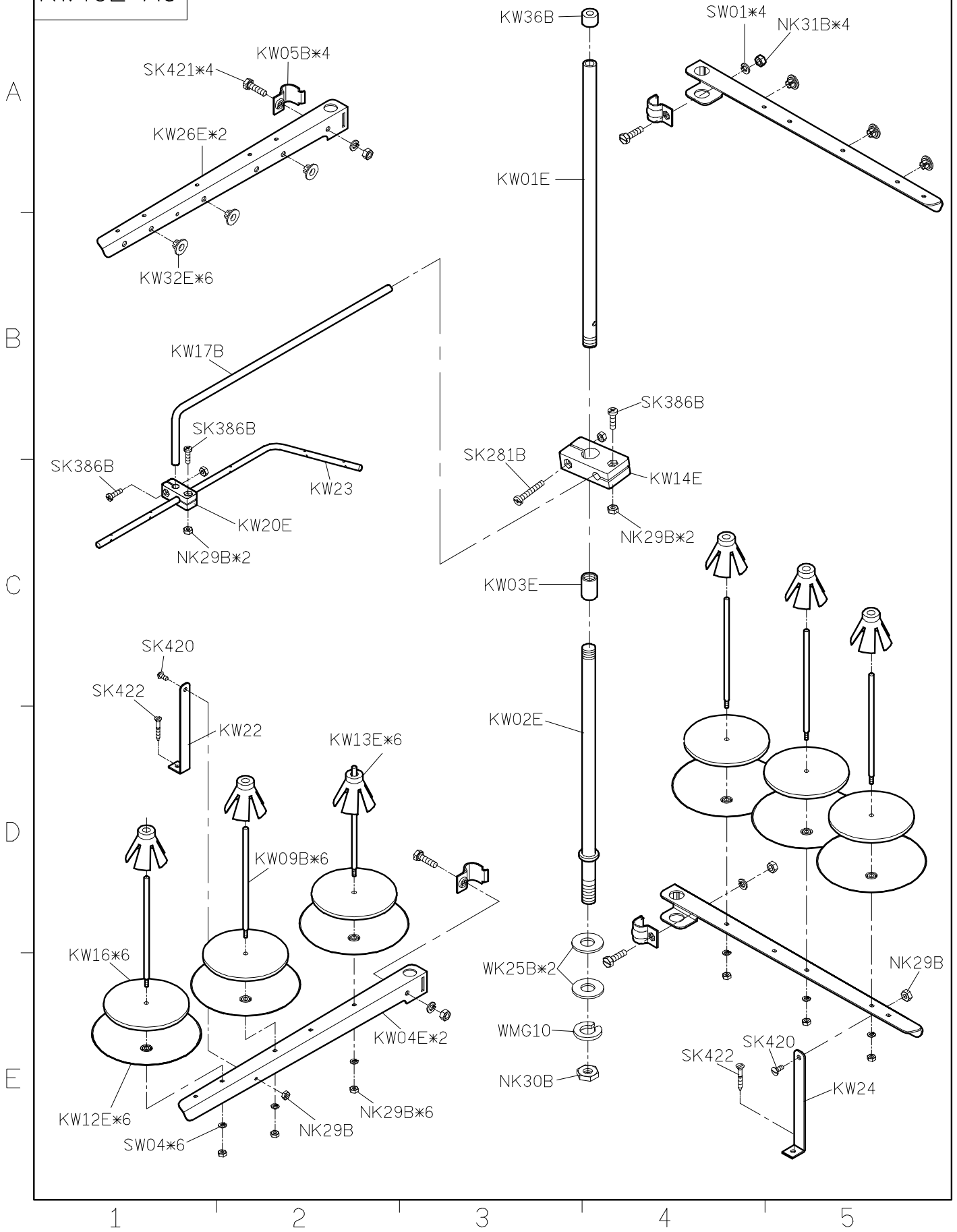


SIRUBA PARTS LIST	Series	Parts Group	Subclass / Remark	Page
	C007K/C007KD	CW-K	For UTQ	3/4
	C007KP/C858K			Date
	C007L/C007LX			2021/1/28



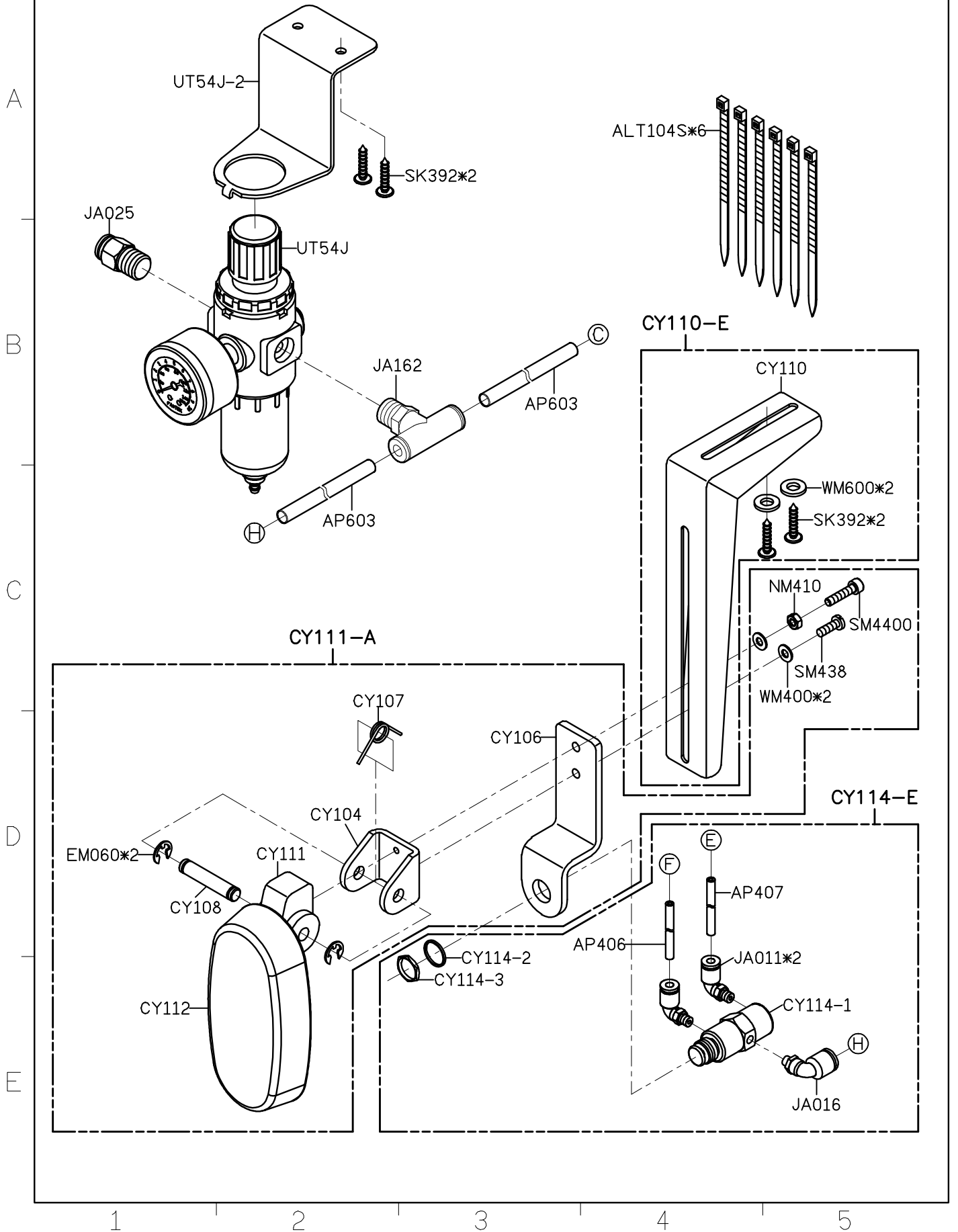
<b>SIRUBA</b> <b>PARTS LIST</b>	<b>Series</b>	<b>Parts Group</b>	<b>Subclass / Remark</b>	<b>Page</b>
	C007K/C007KD	<b>CW-K</b>		4/4
	C007KP/C858K			<b>Date</b>
	C007L/C007LX			2021/1/28

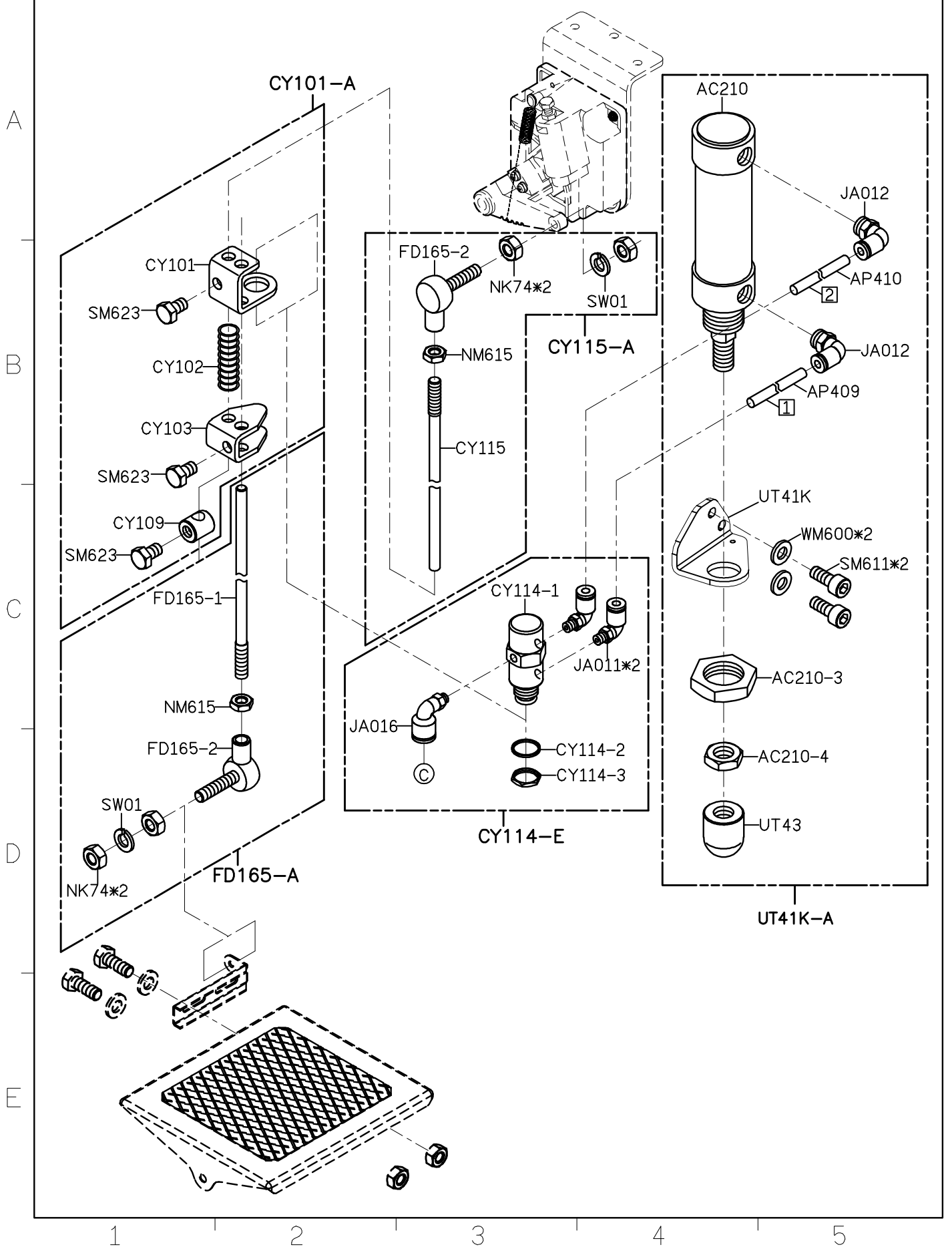
KW40E-A3





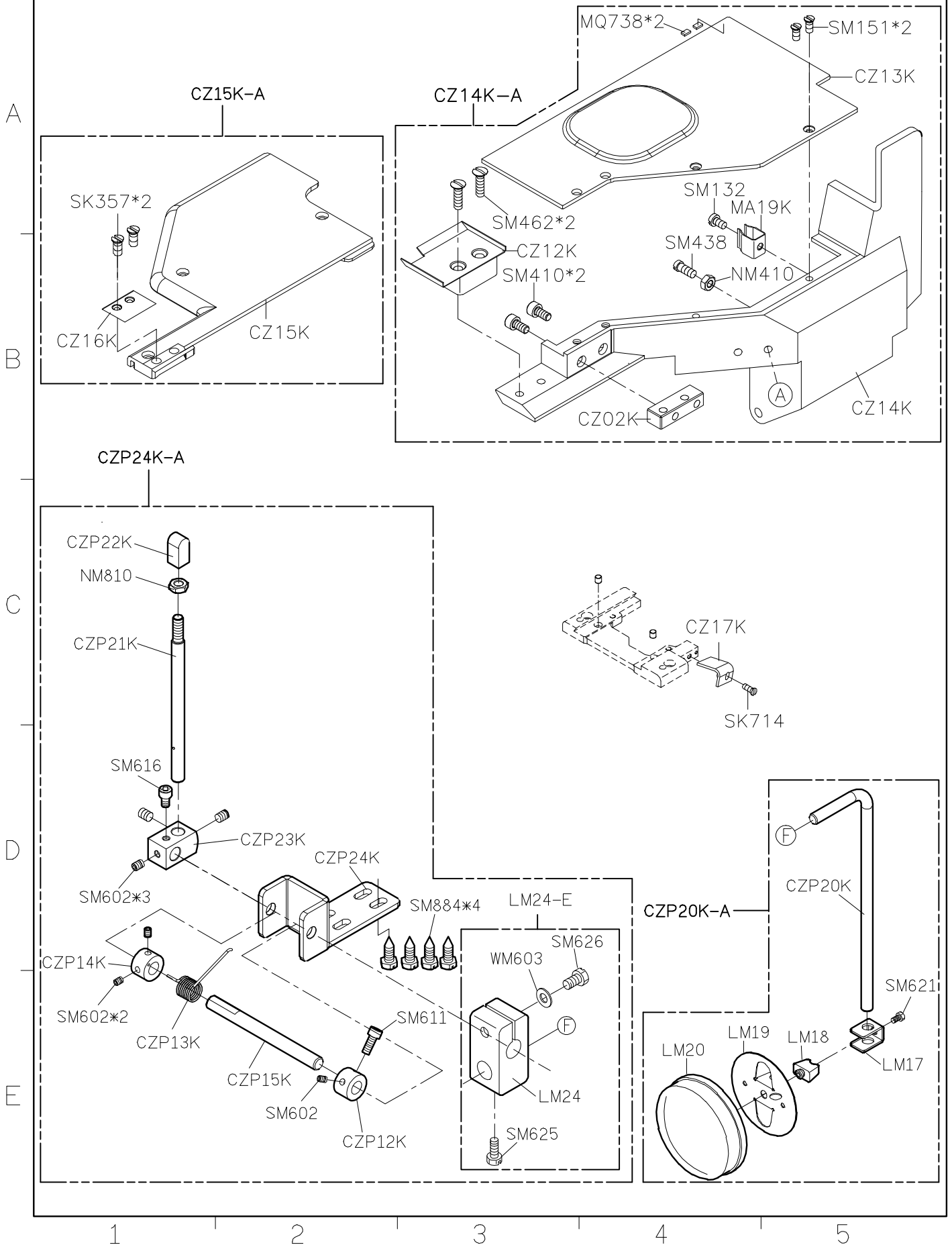








<b>SIRUBA</b> <b>PARTS LIST</b>	<b>Series</b>	<b>Parts Group</b>	<b>Subclass / Remark</b>	<b>Page</b>
	C007K/C007KD	<b>CZP-K</b>		2/2
	C007KP/C858K			<b>Date</b>
				2018/06/11





**SIRUBA**

PARTS LIST

Series

F007K/F007KD  
F858K  
C007K/C007KD  
C858K

Parts Group

FFC-K

Subclass / Remark

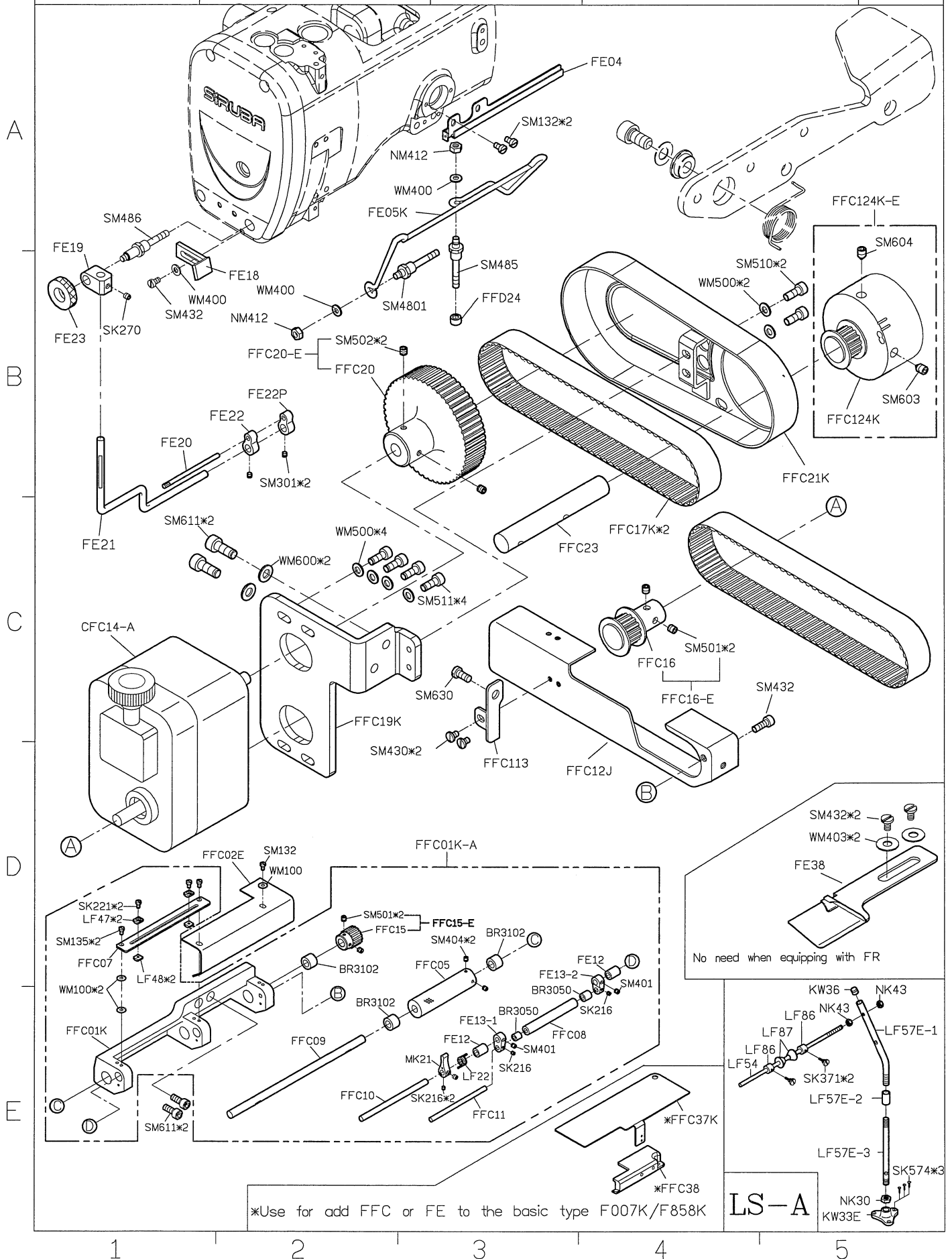
Not for Direct-Drive Motor

Page

1/1

Date

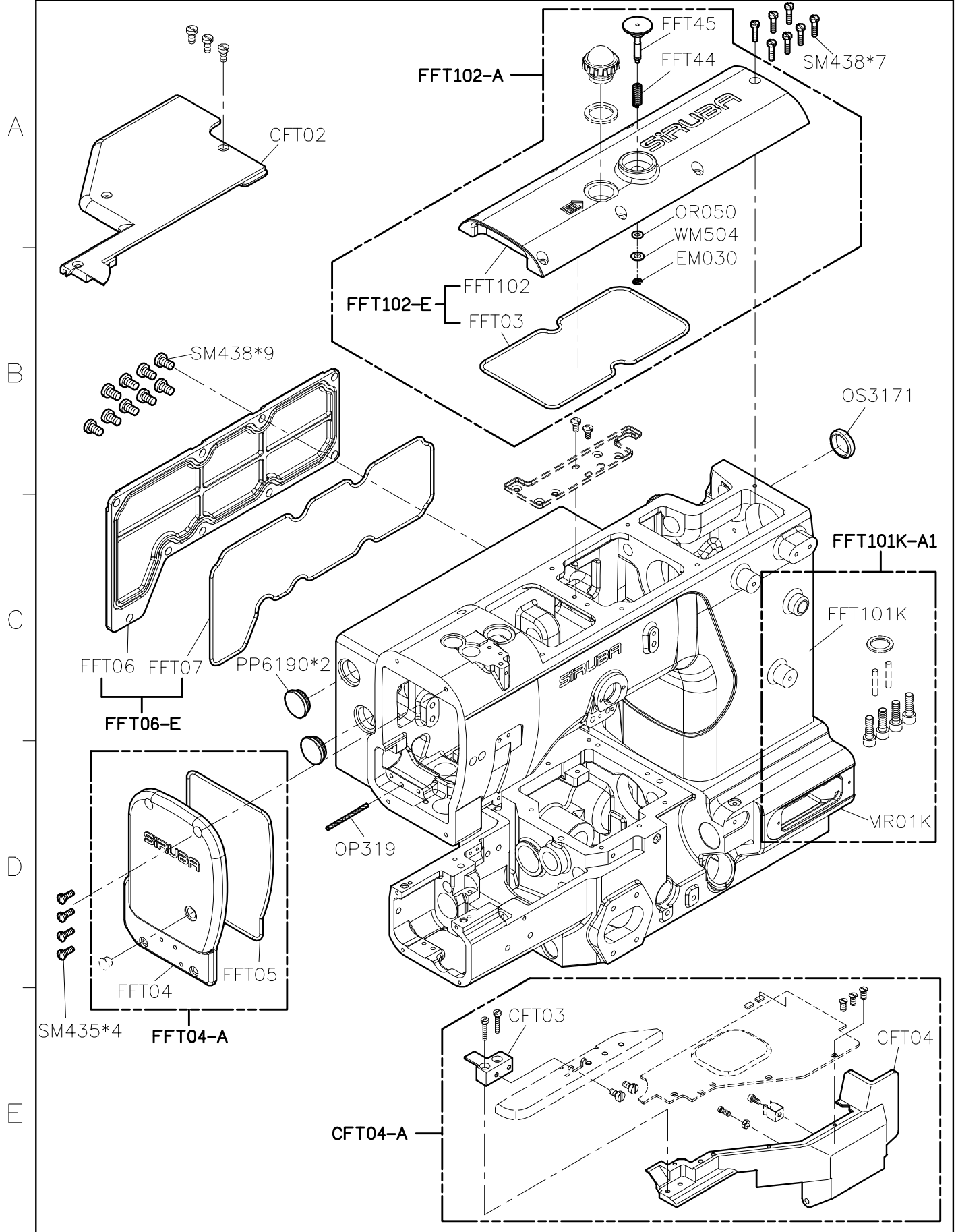
2016/10/13



\*Use for add FFC or FE to the basic type F007K/F858K

LS-A

SIRUBA PARTS LIST	Series	Parts Group	Subclass / Remark	Page
	C007KD	FFT	With Direct-Drive Motor	1/7
				Date
				2025/3/25



1

2

3

4

5



**SIRUBA**

PARTS LIST

Series

C007KD/C007KP

Parts Group

**FFT**

Subclass / Remark

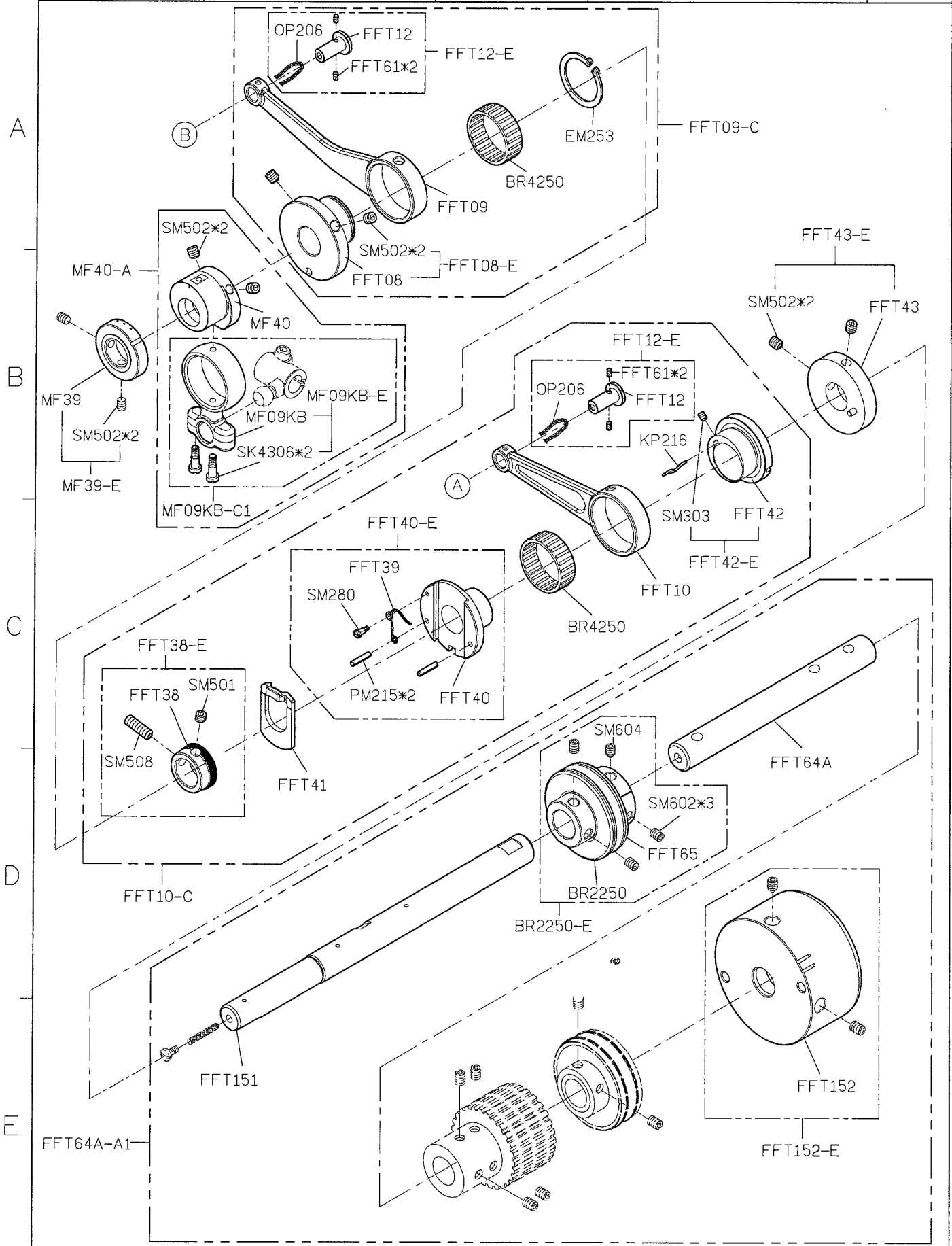
With Direct-Drive Motor

Page

3/7

Date

2018/02/23



1

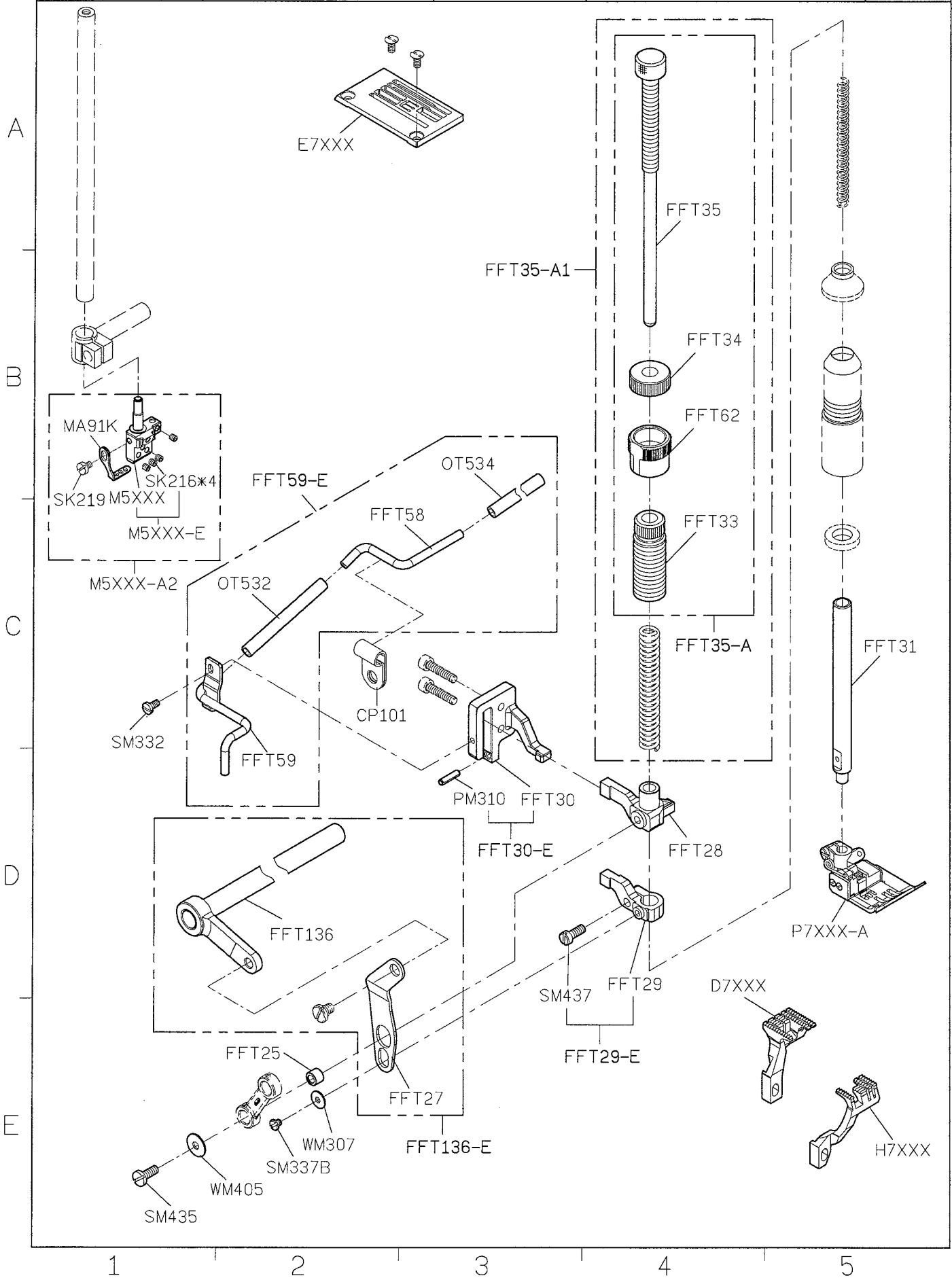
2

3

4

5

SIRUBA PARTS LIST	Series	Parts Group	Subclass / Remark	Page
	C007KD/C007KP	<b>FFT</b>	With Direct-Drive Motor	4/7
				Date 2018/7/31



**SIRUBA**

PARTS LIST

Series

**C007KD**

Parts Group

**FFT**

Subclass / Remark

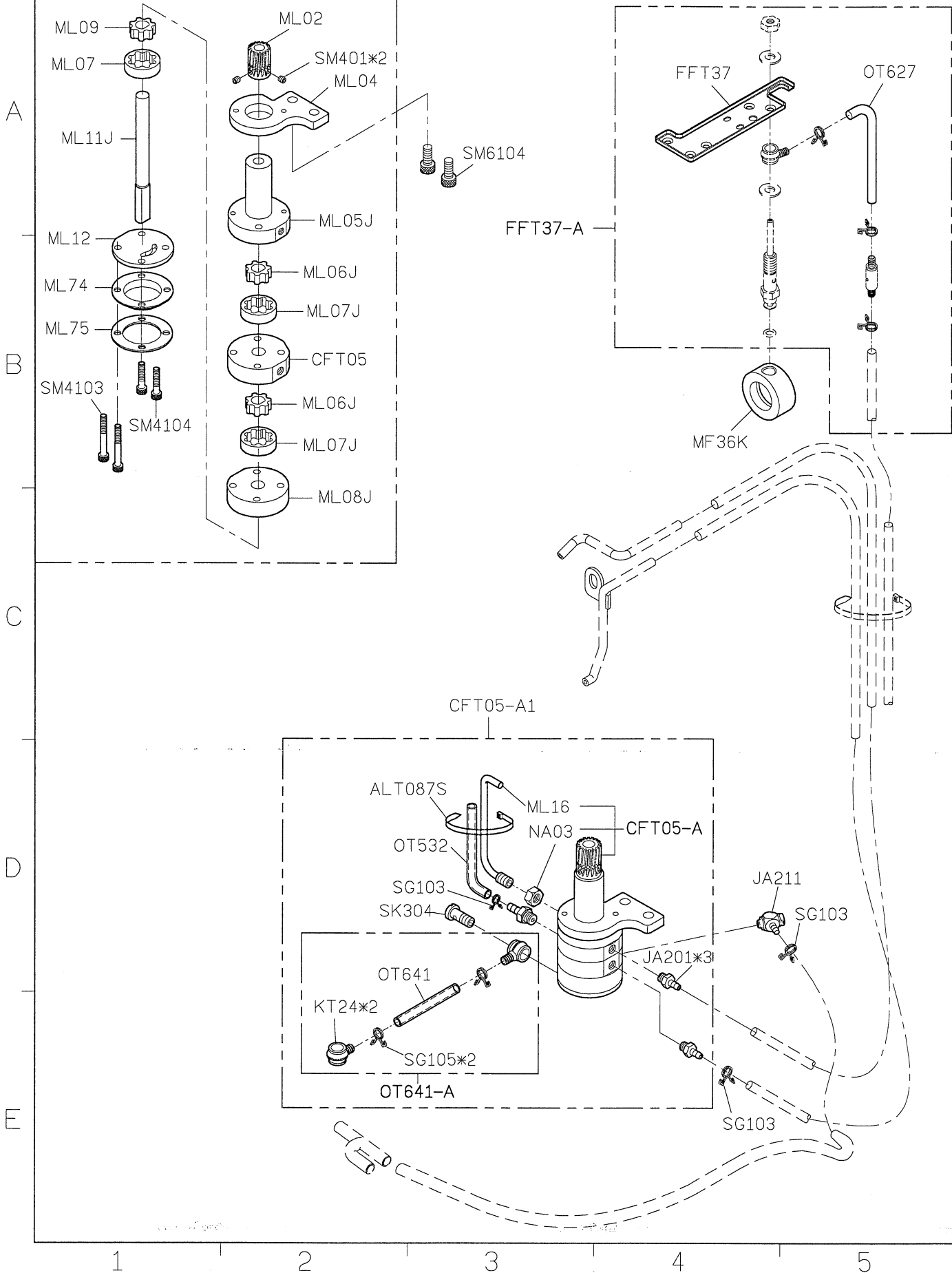
With Direct-Drive Motor

Page

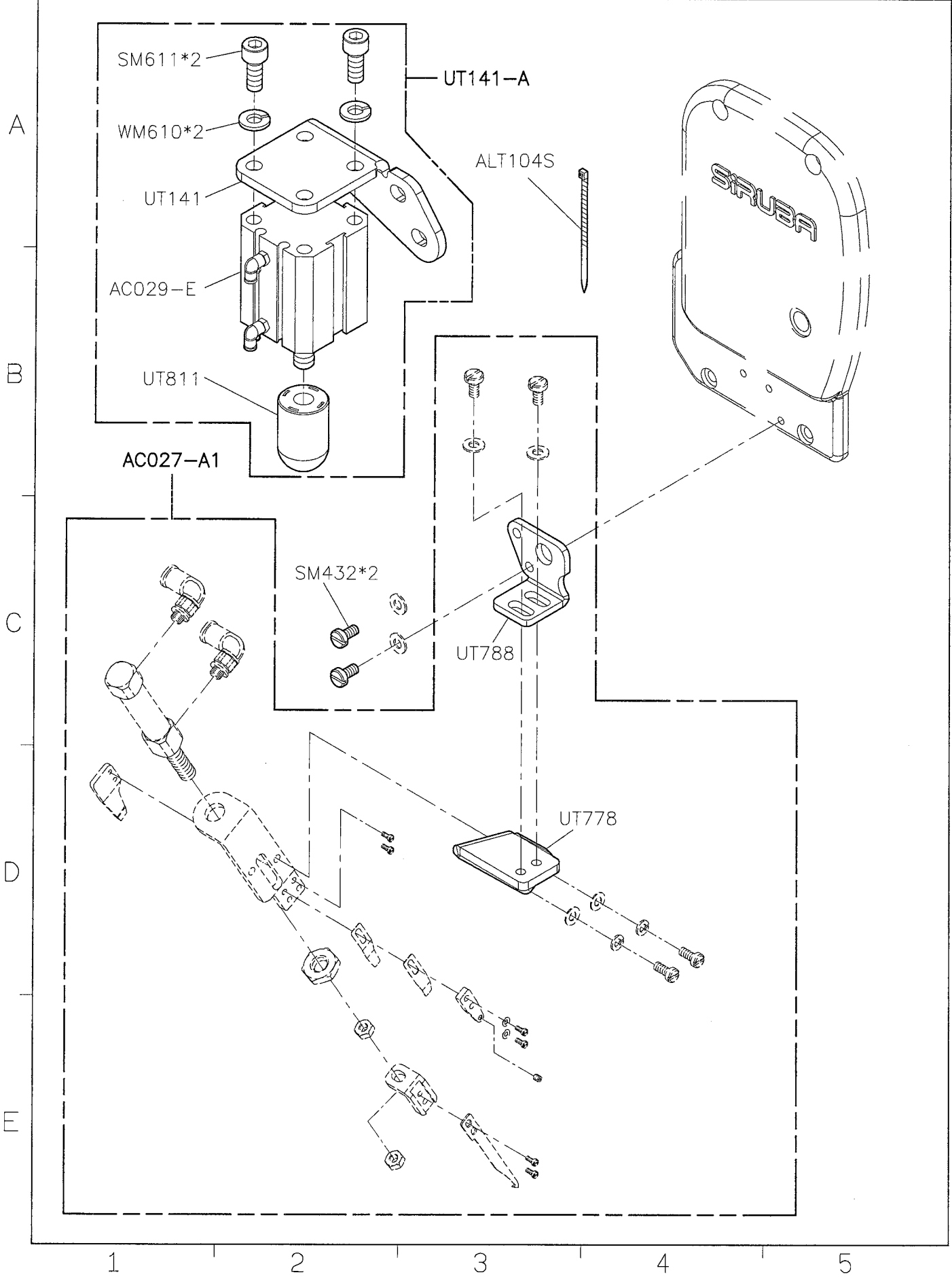
5/7

Date

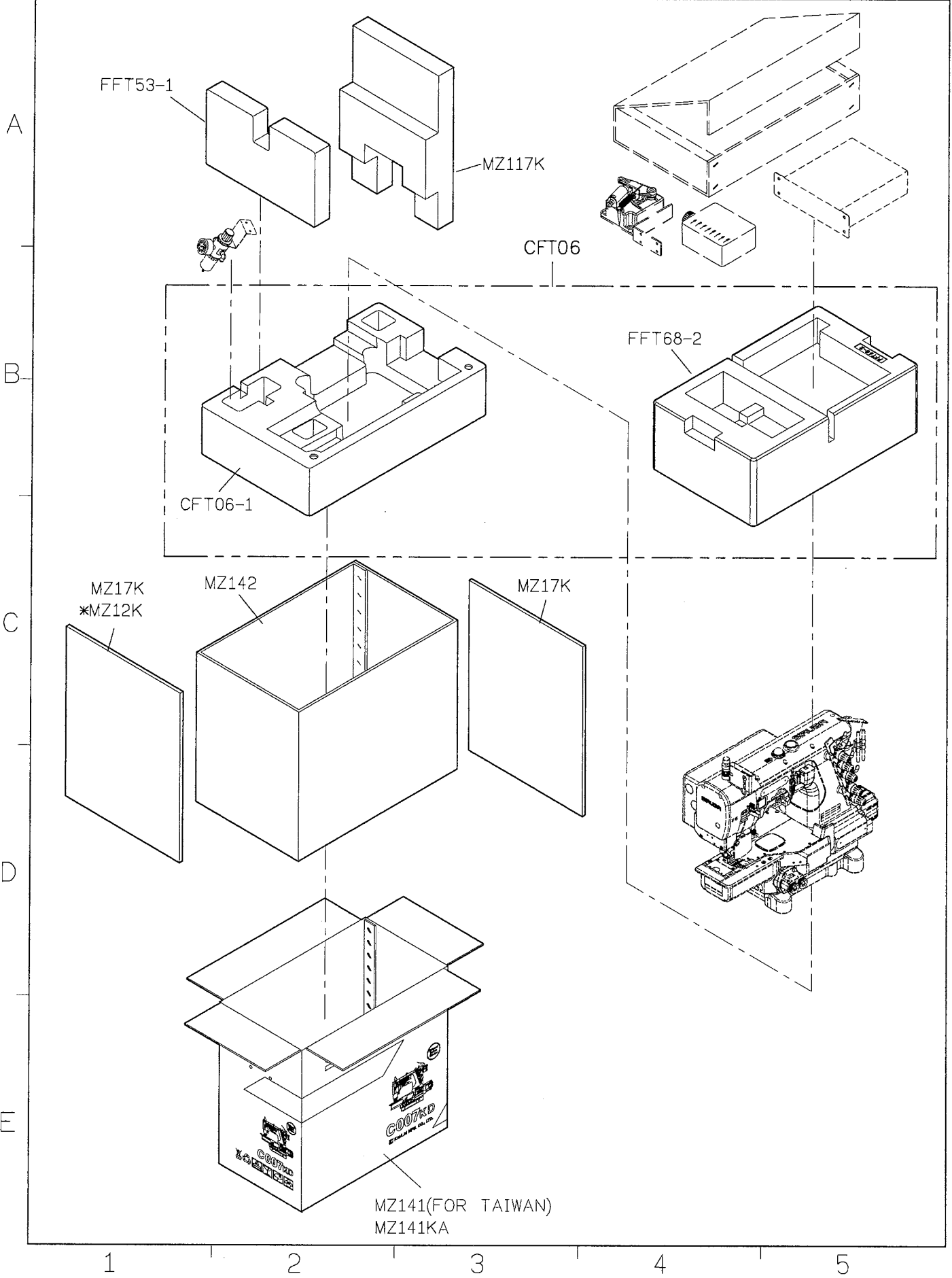
2018/03/23



<b>SIRUBA</b> PARTS LIST	Series	Parts Group	Subclass / Remark	Page
	C007KD/C007KP	FFT	With Direct-Drive Motor	6/7
				Date
				2016/8/19

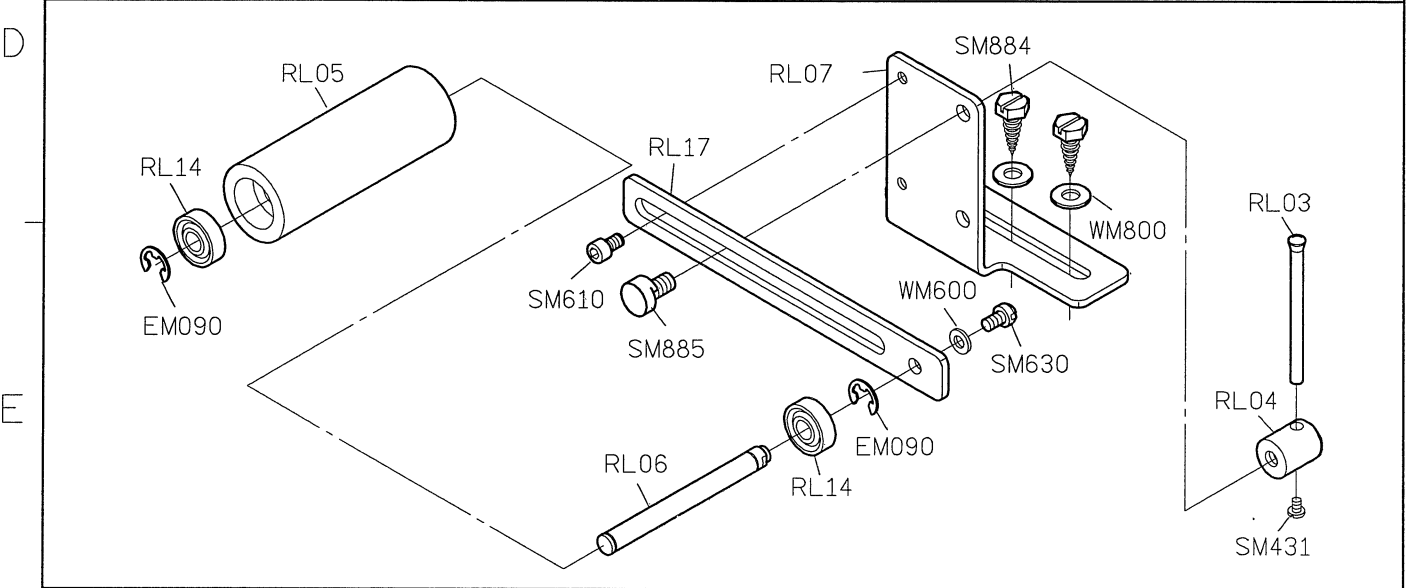
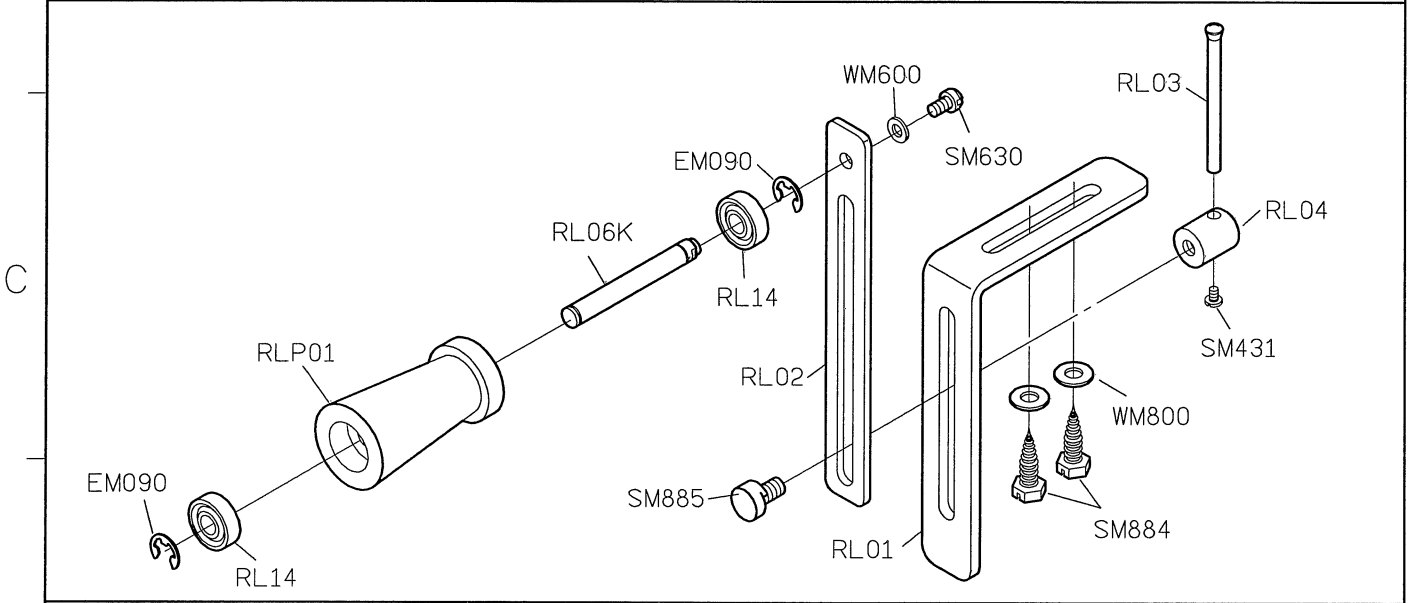
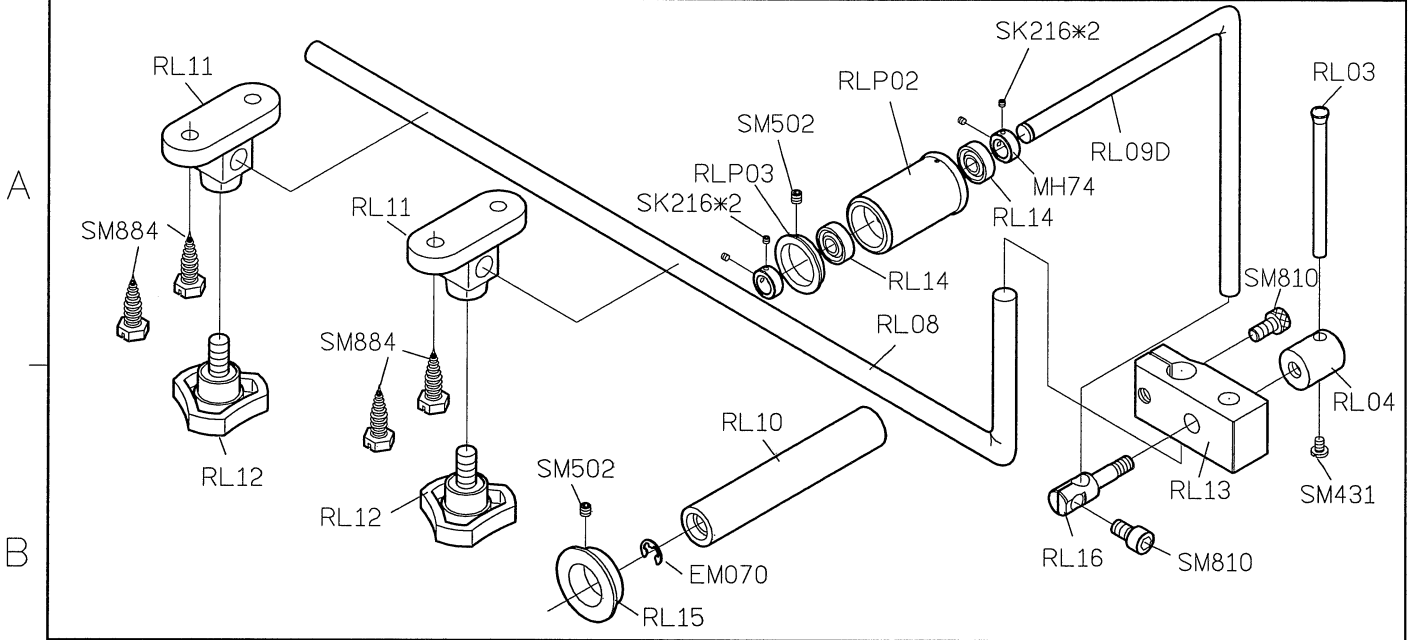


<b>SIRUBA</b> PARTS LIST	Series	Parts Group	Subclass / Remark	Page
	C007KD/C007KP	FFT	With Direct-Drive Motor * Use for UT	7/7
				Date
				2018/7/31





SIRUBA PARTS LIST	Series	Parts Group	Subclass / Remark	Page
	C007K/C007KD C858K	RLP		1/1
				Date
				2016/8/30



1                      2                      3                      4                      5

**SIRUBA**  
**PARTS LIST**

**Series**  
**C007K/C007KD**  
**C007KP/C858K**

**Parts Group**  
**RLQ-K**

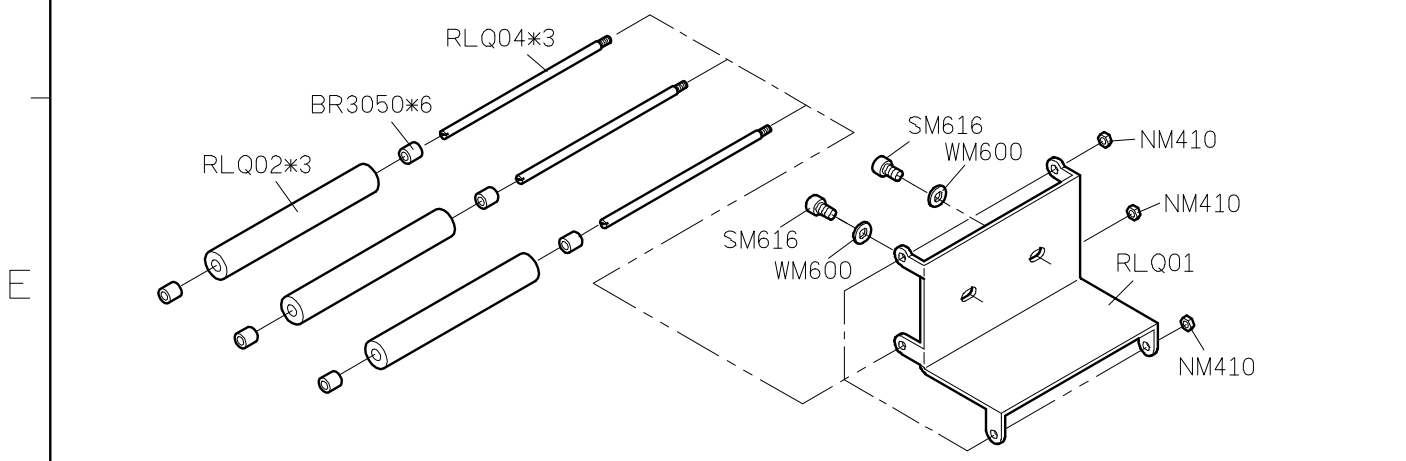
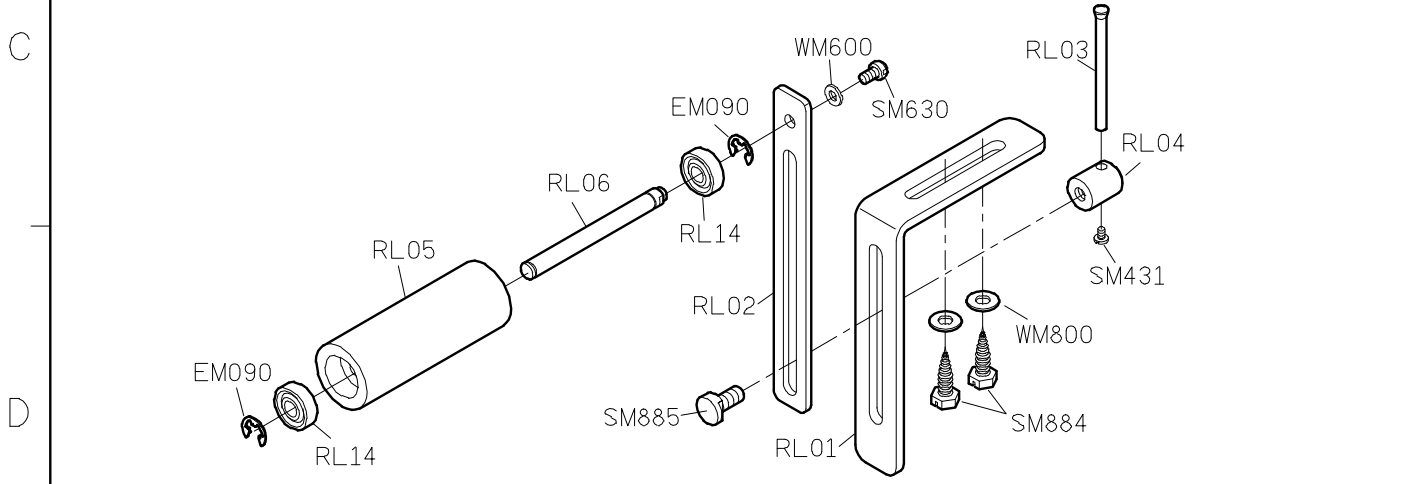
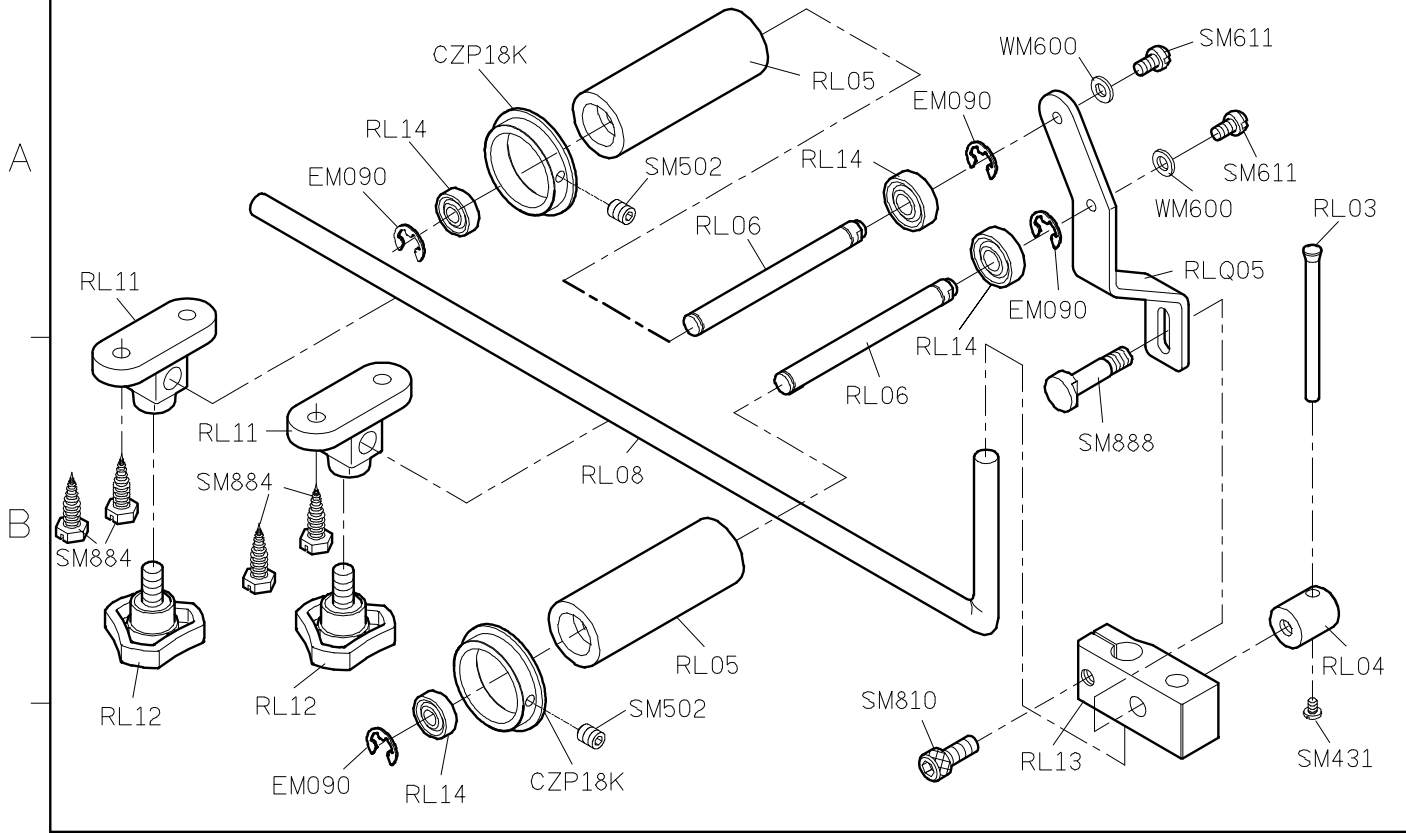
**Subclass / Remark**

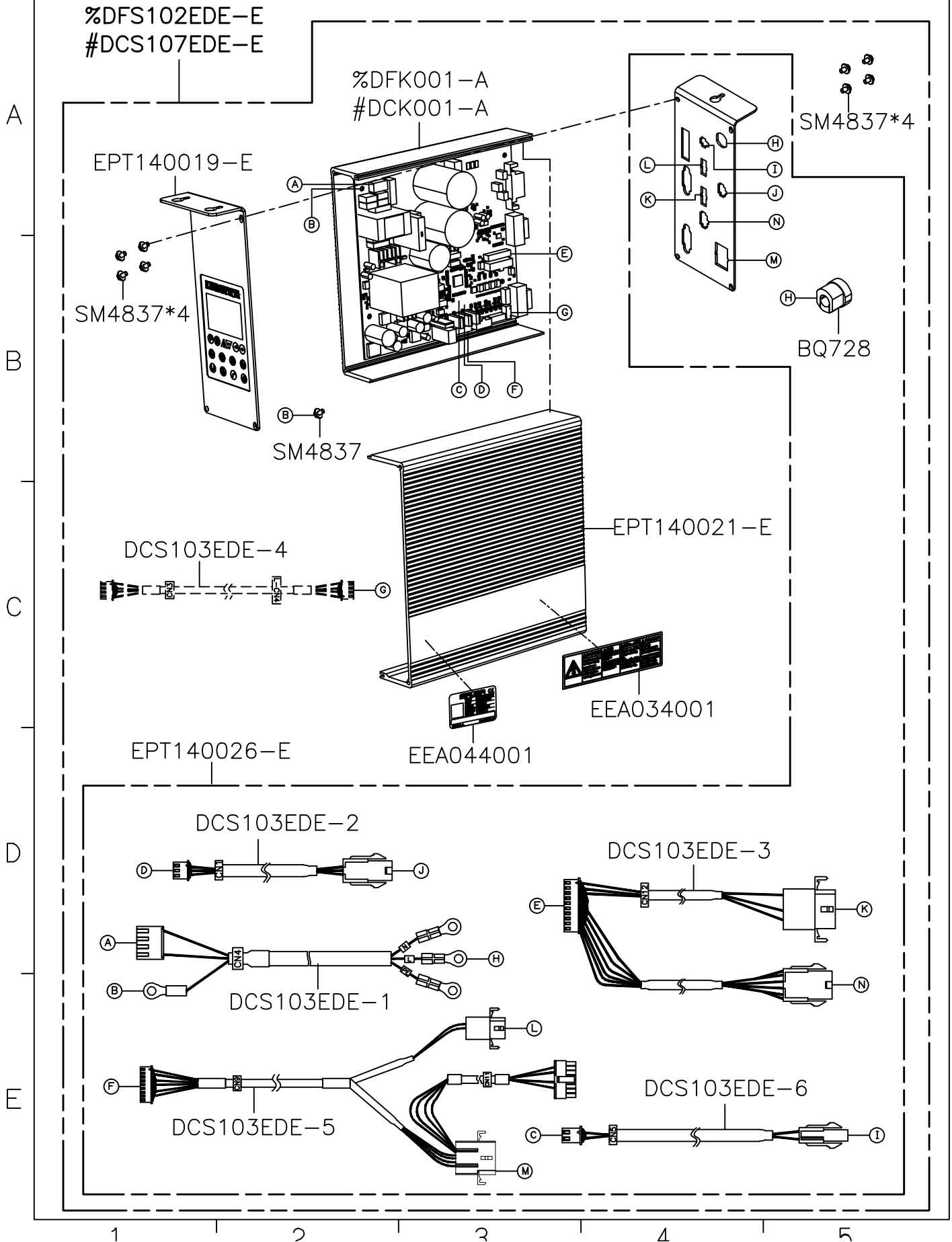
**Page**

1/1

**Date**

2016/8/29





SIRUBA PARTS LIST	Series	Parts Group	Subclass / Remark	Page
	C858KD	ST-600W	-	2/7
	F858KD			Date
				2024/4/9

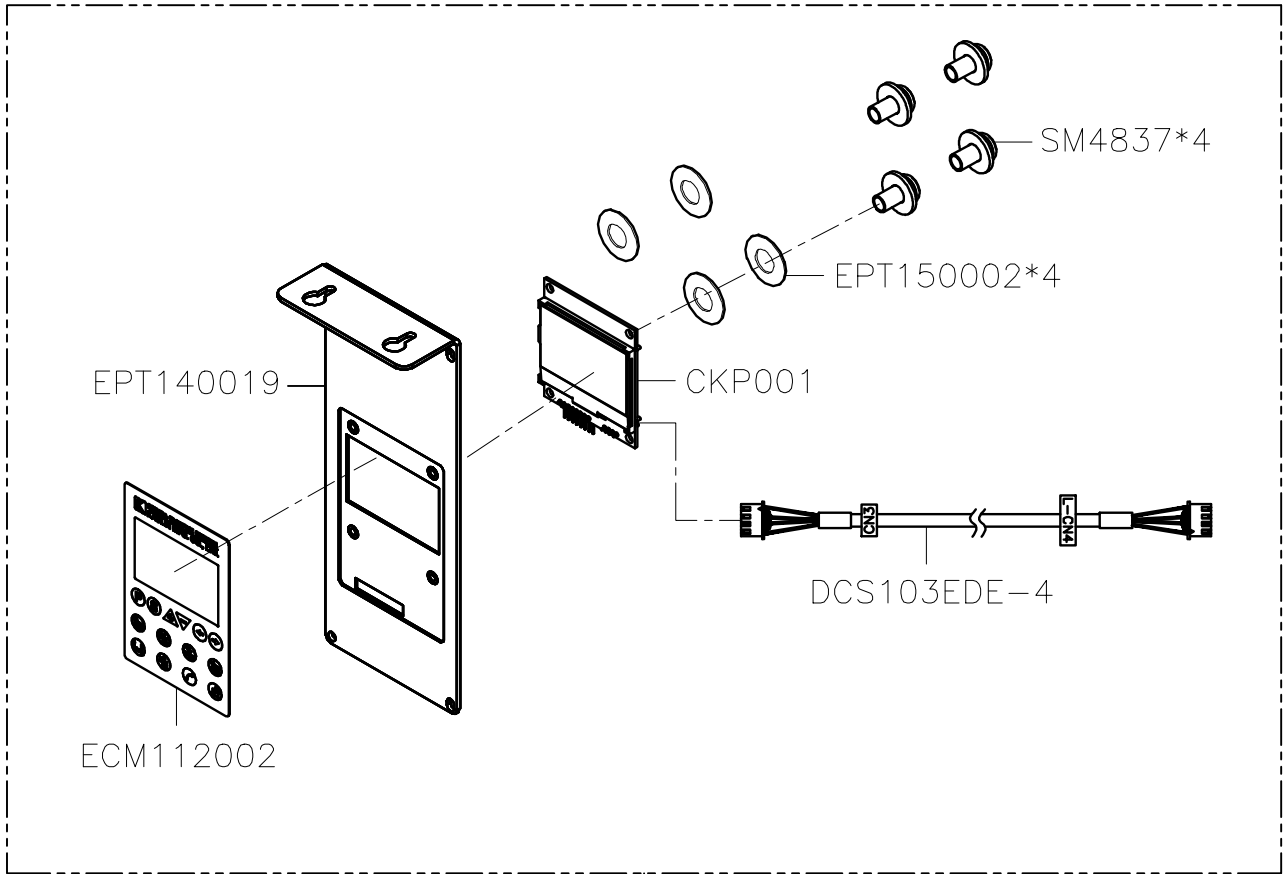
A

B

C

D

E



1

2

3

4

5

<b>SIRUBA</b>  <b>PARTS LIST</b>	<b>Series</b>	<b>Parts Group</b>	<b>Subclass / Remark</b>	<b>Page</b>
	C858KD	ST-600W	-	3/7
	F858KD			<b>Date</b>
				2024/4/9

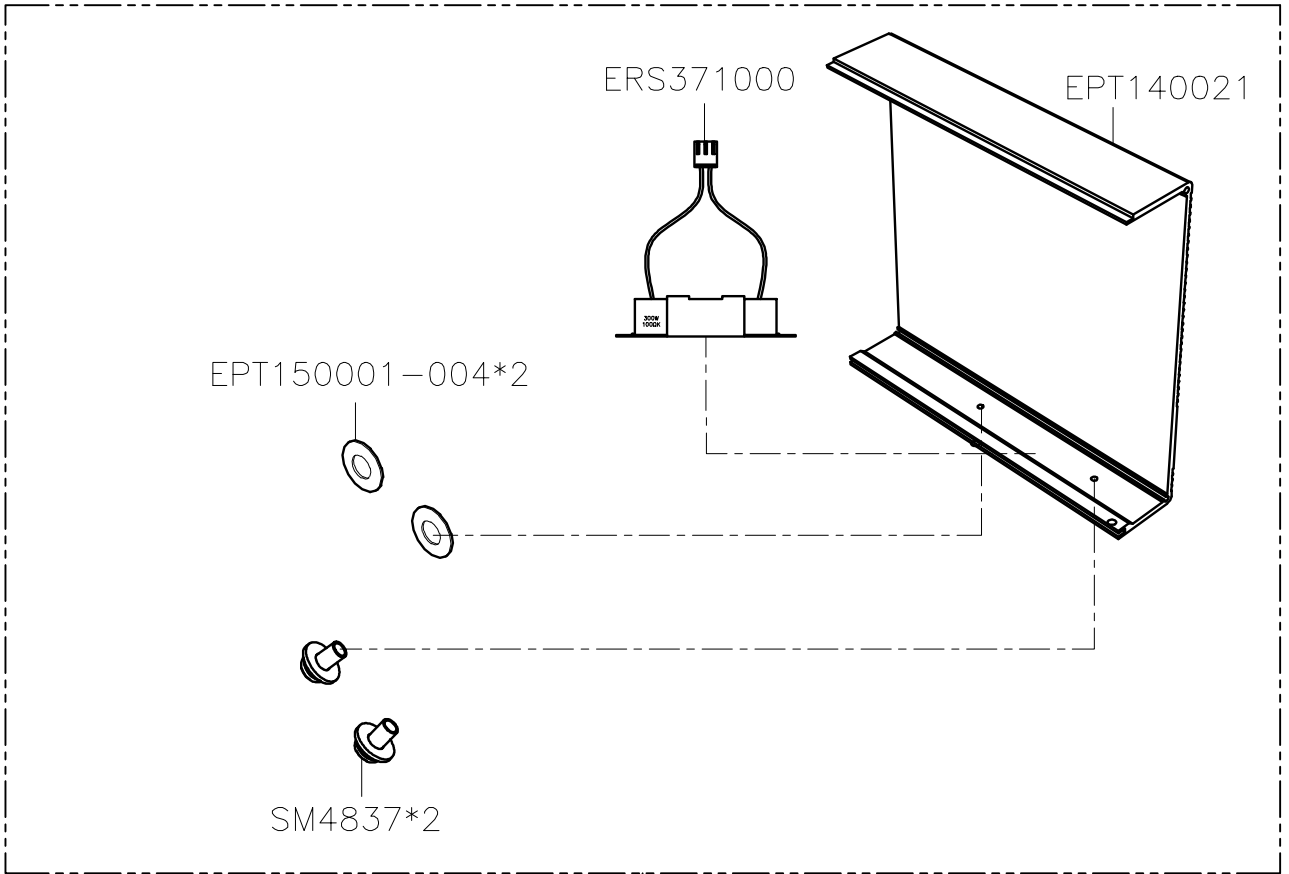
A

B

C

D

E



EPT140021-E

1

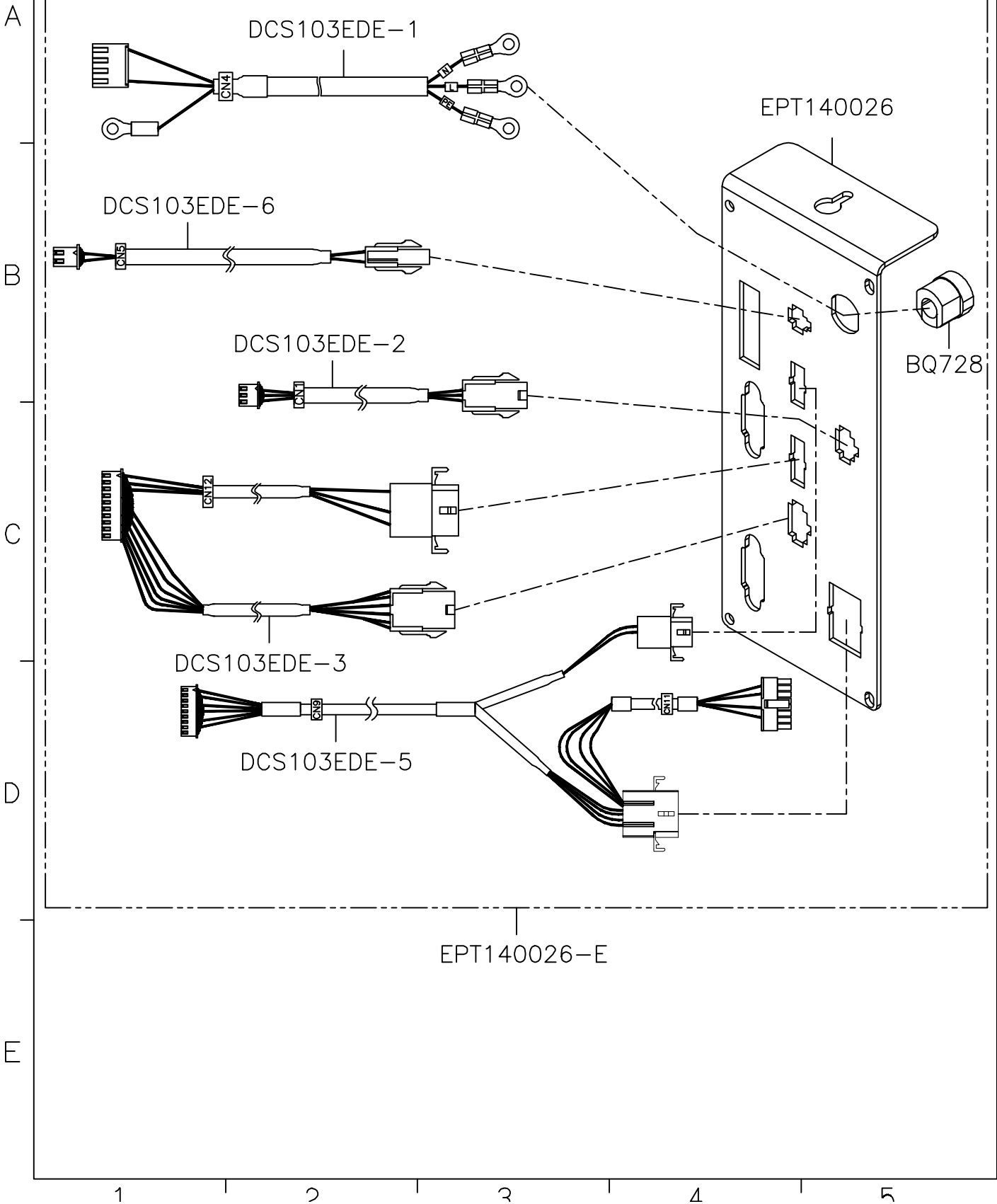
2

3

4

5

<b>SIRUBA</b> <b>PARTS LIST</b>	Series	Parts Group	Subclass / Remark	Page
	C858KD	ST-600W	-	4/7
	F858KD			Date
				2024/7/18



SIRUBA PARTS LIST	Series	Parts Group	Subclass / Remark	Page
	C858KD F858KD	ST-600W	For電動用 #Use for C858KD %Use for F858KD	5/7
				Date 2024/4/9

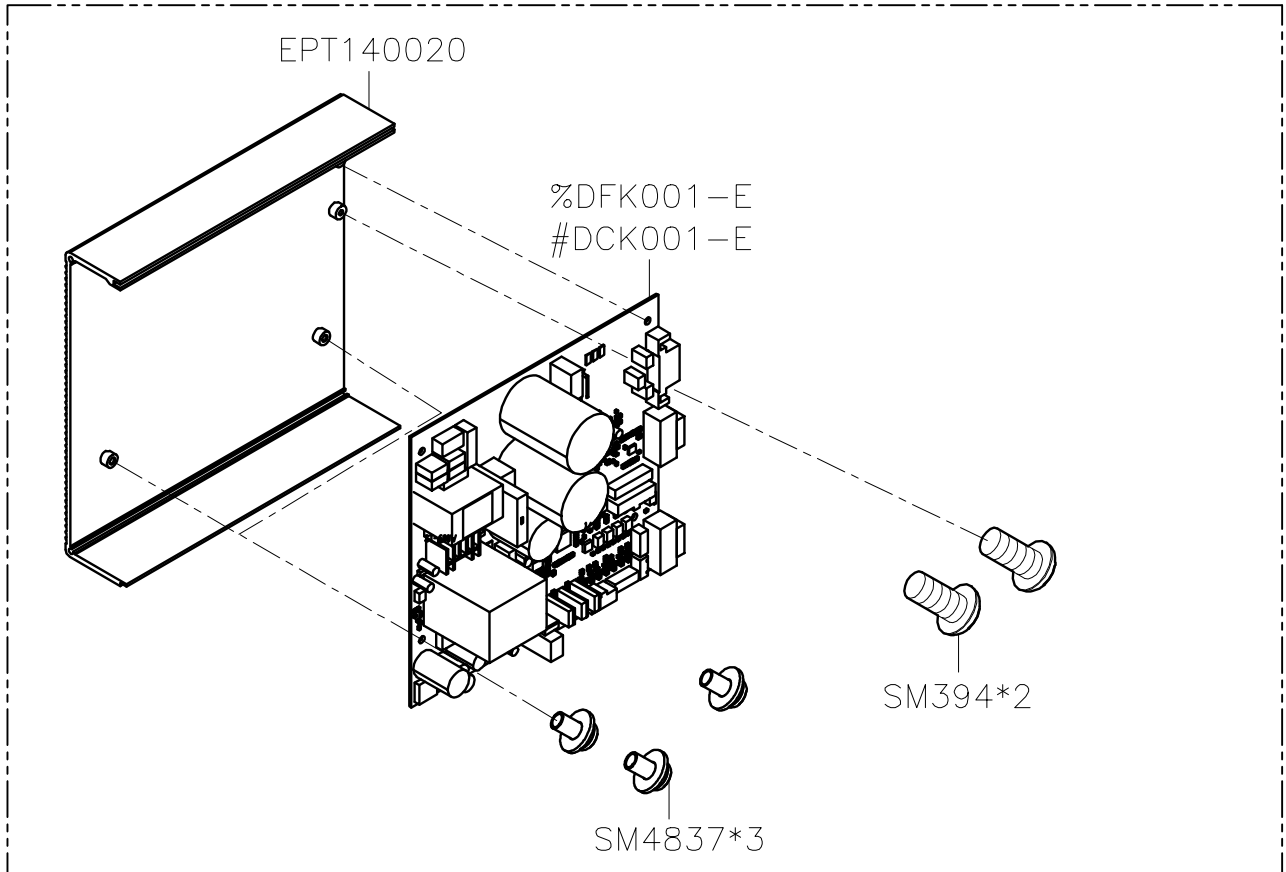
A

B

C

D

E



1

2

3

4

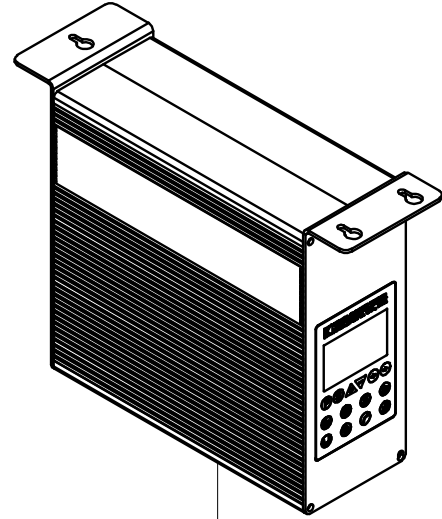
5

SIRUBA PARTS LIST	Series	Parts Group	Subclass / Remark	Page
	C858KD F858KD	ST-600W	For電動用 #Use for C858KD %Use for F858KD	6/7
				Date 2024/4/9

A

#DCS107EDE-A1  
%DFS102EDE-A1

EPT100019\*1

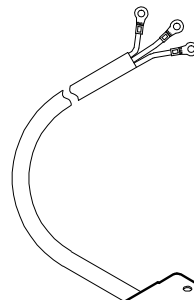


#DCS107EDE-E  
%DFS102EDE-E

B

C

D



SK392\*8



ANC08\*2

E

DCS103EDE-8

1

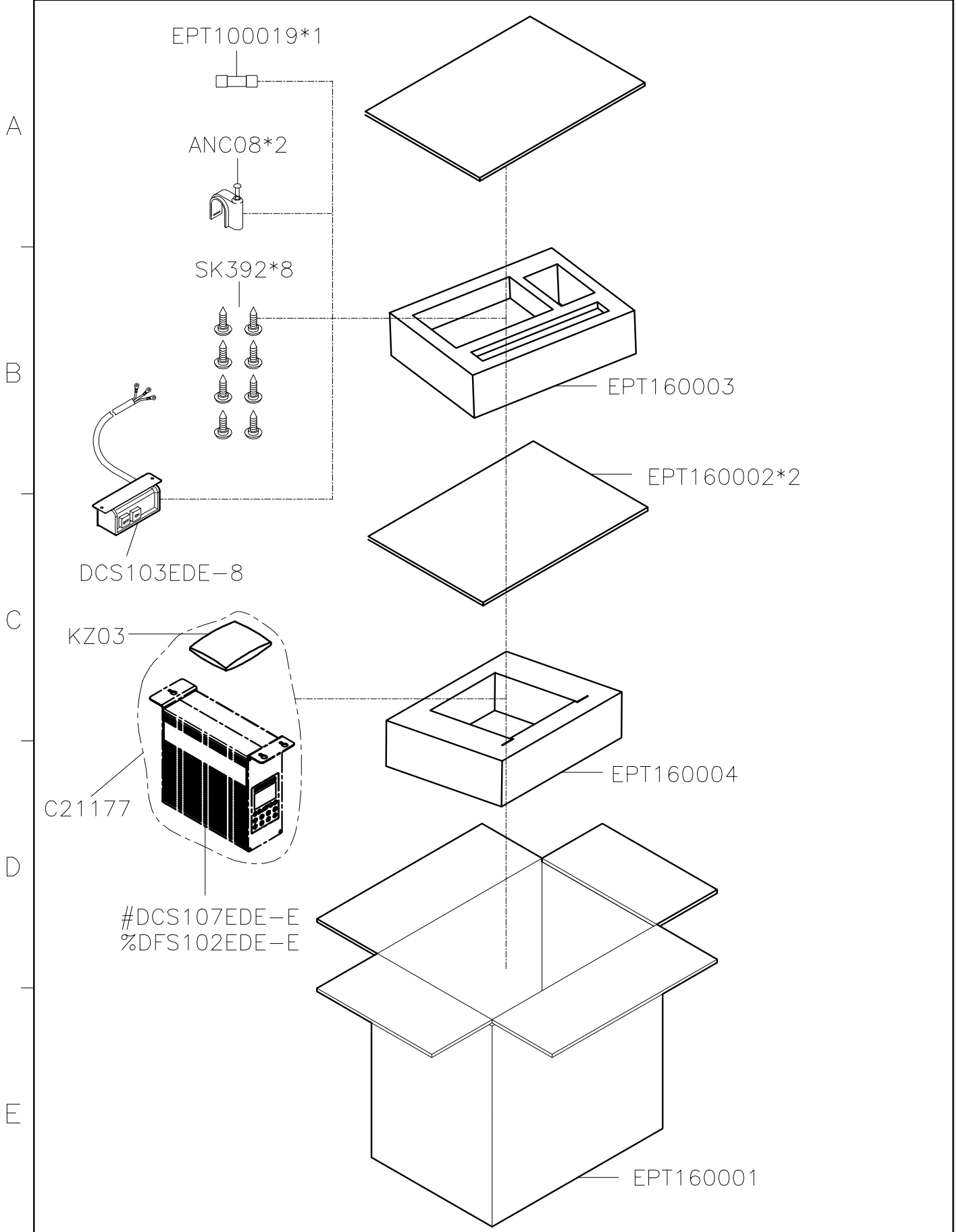
2

3

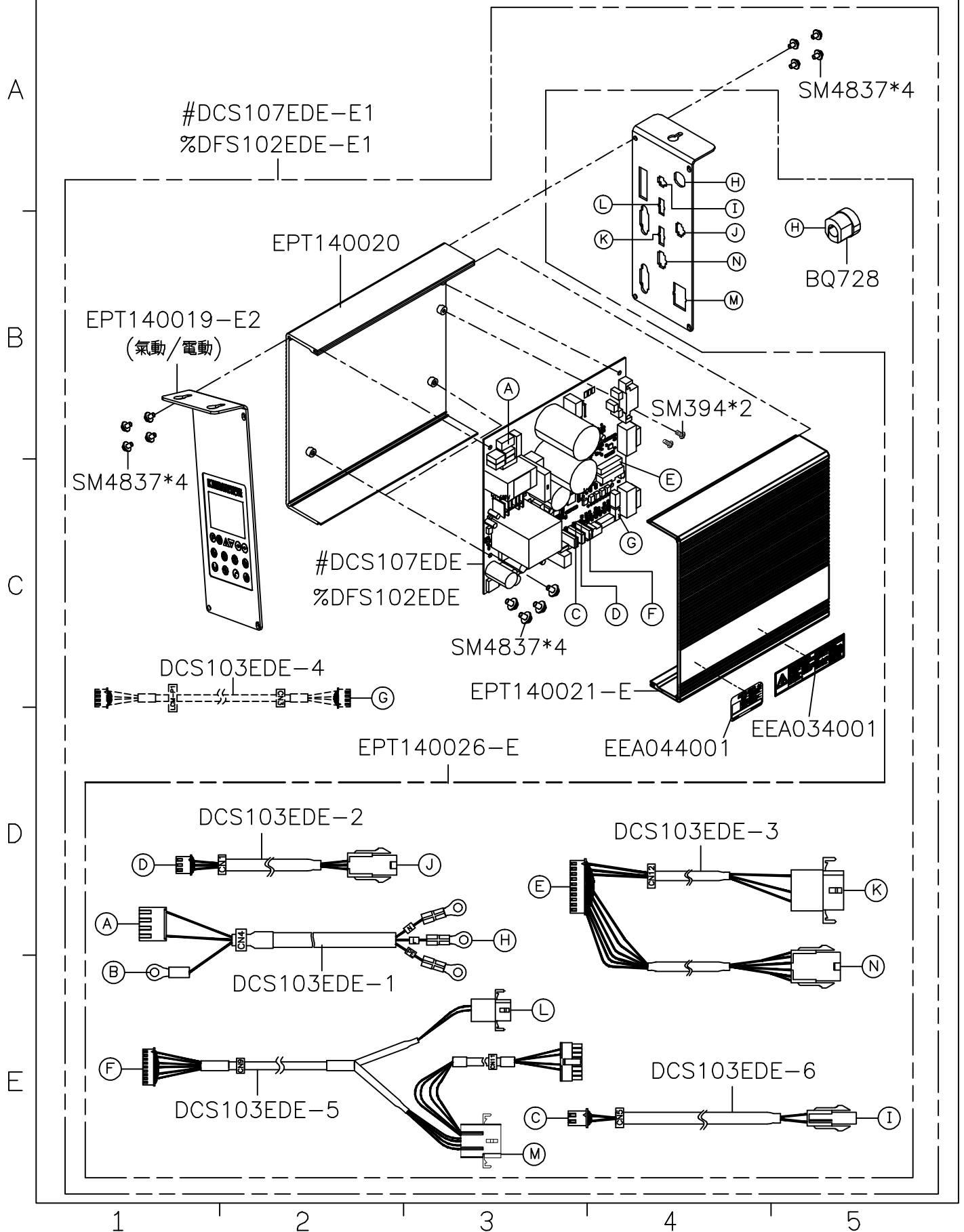
4

5

SIRUBA PARTS LIST	Series	Parts Group	Subclass / Remark	Page
	C858KD	ST-600W	For電動用	7/7
	F858KD		#Use for C858KD	Date
			%Use for F858KD	2024/4/9

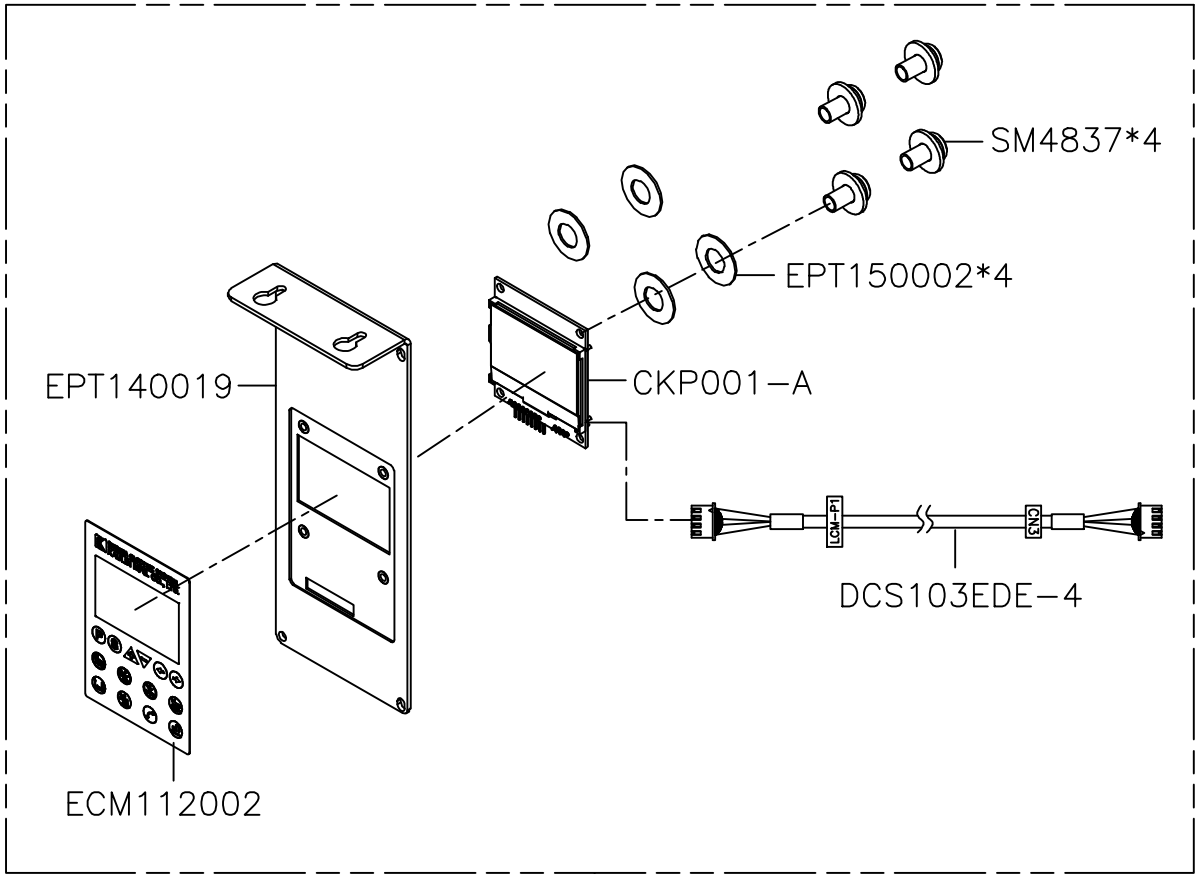


SIRUBA PARTS LIST	Series	Parts Group	Subclass / Remark	Page
	C858KD F858KD	ST-600W-01	For電動用 #Use for C858KD %Use for F858KD	1/6
				Date 2024/9/06



<b>SIRUBA</b> <b>PARTS LIST</b>	Series	Parts Group	Subclass / Remark	Page
	C858KD	ST-600W-01	-	2/6
	F858KD			Date
				2024/09/08

A  
B  
C  
D  
E

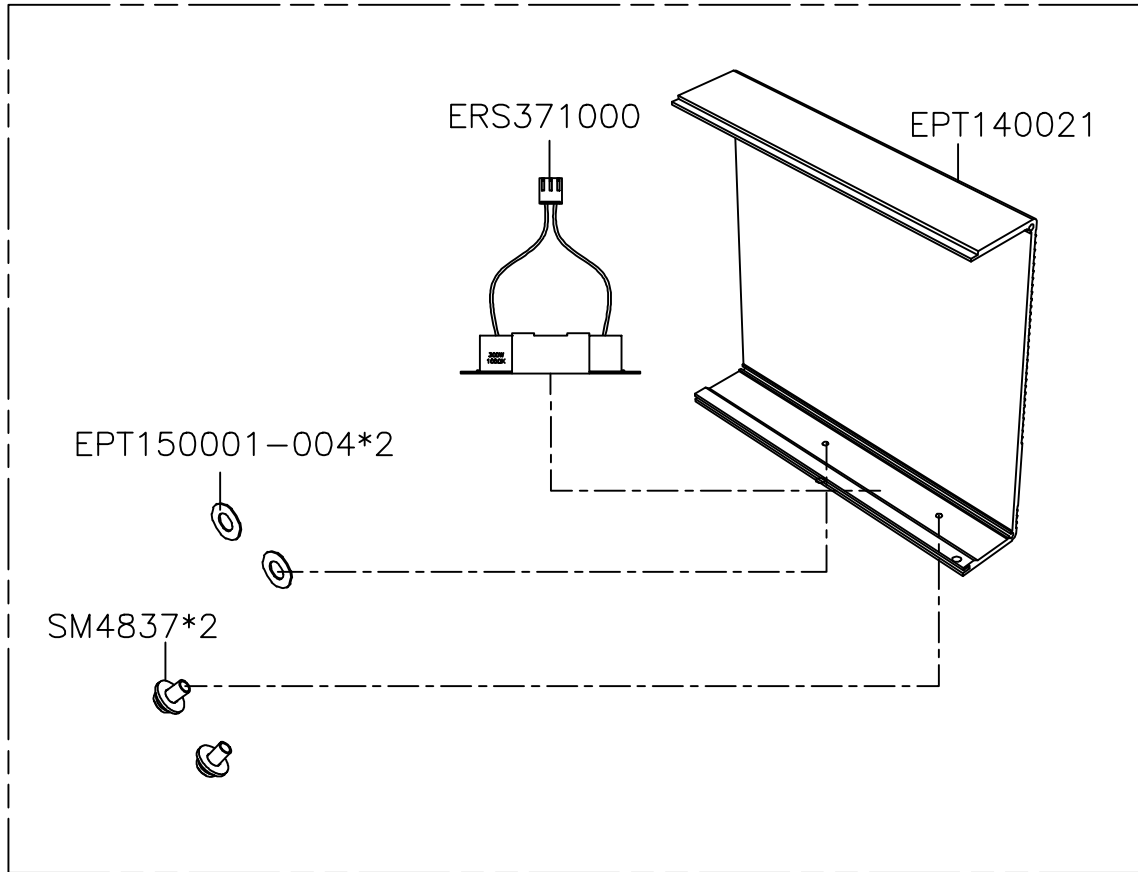


EPT140019-E2

1 2 3 4 5

<b>SIRUBA</b>  <b>PARTS LIST</b>	Series	Parts Group	Subclass / Remark	Page
	C858KD	ST-600W-01	-	3/6
	F858KD			Date
				2024/09/08

A  
B  
C  
D  
E



EPT140021-E

1 2 3 4 5

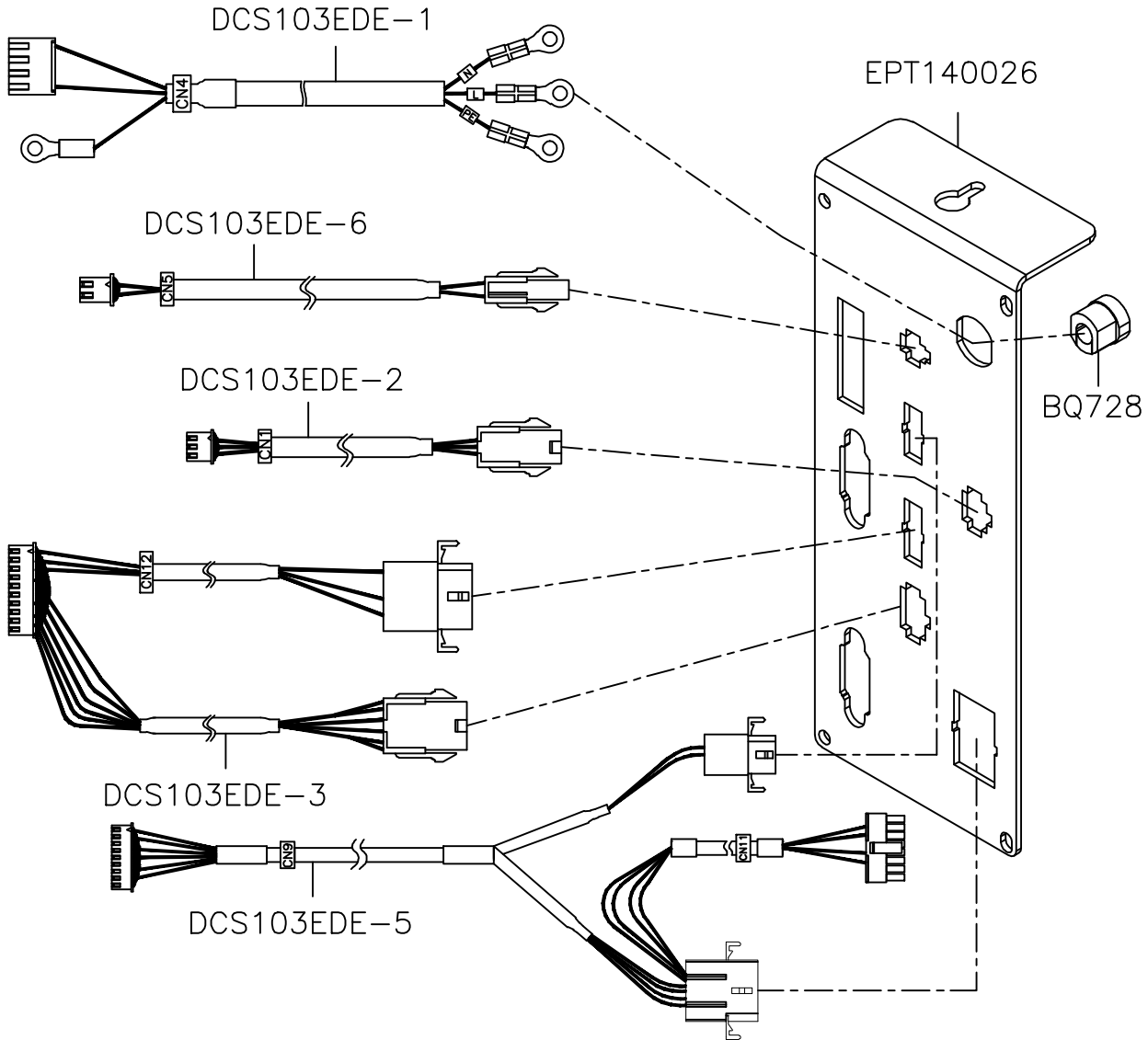
A

B

C

D

E



1

2

3

4

5

<b>SIRUBA</b> <b>PARTS LIST</b>	Series	Parts Group	Subclass / Remark	Page
	<b>C858KD</b> <b>F858KD</b>	<b>ST-600W-01</b>	<b>For電動用</b> <b>#Use for C858KD</b> <b>%Use for F858KD</b>	5/6
				Date
				2024/9/06

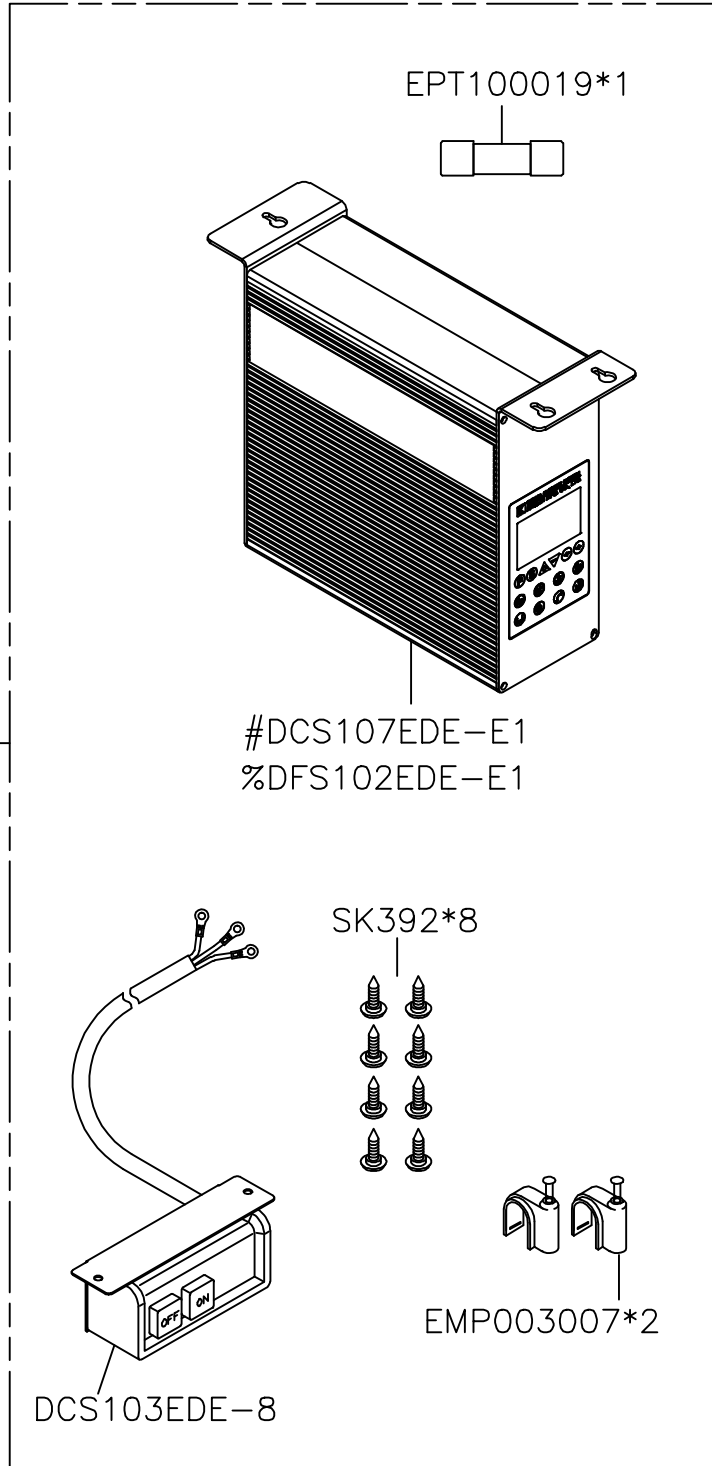
A

B

C

D

E



1

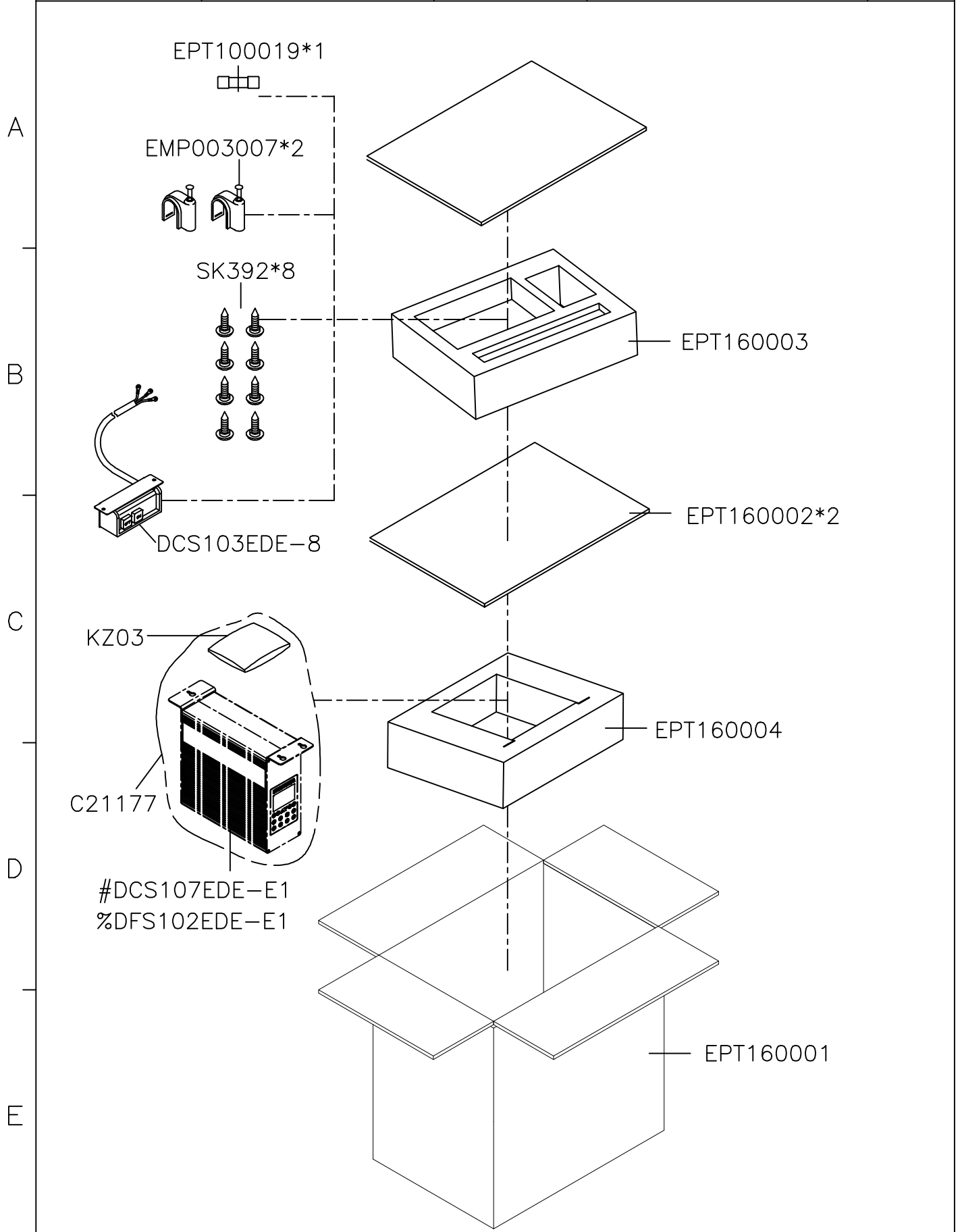
2

3

4

5

<b>SIRUBA</b> <b>PARTS LIST</b>	Series	Parts Group	Subclass / Remark	Page
	<b>C858KD</b> <b>F858KD</b>	<b>ST-600W-01</b>	For電動用	6/6
			#Use for C858KD	Date
			%Use for F858KD	2024/09/08



**SIRUBA**

**PARTS LIST**

**Series**

**C007K/C007KD  
C007KP/C858K**

**Parts Group**

**UTP(UTQ)-K**

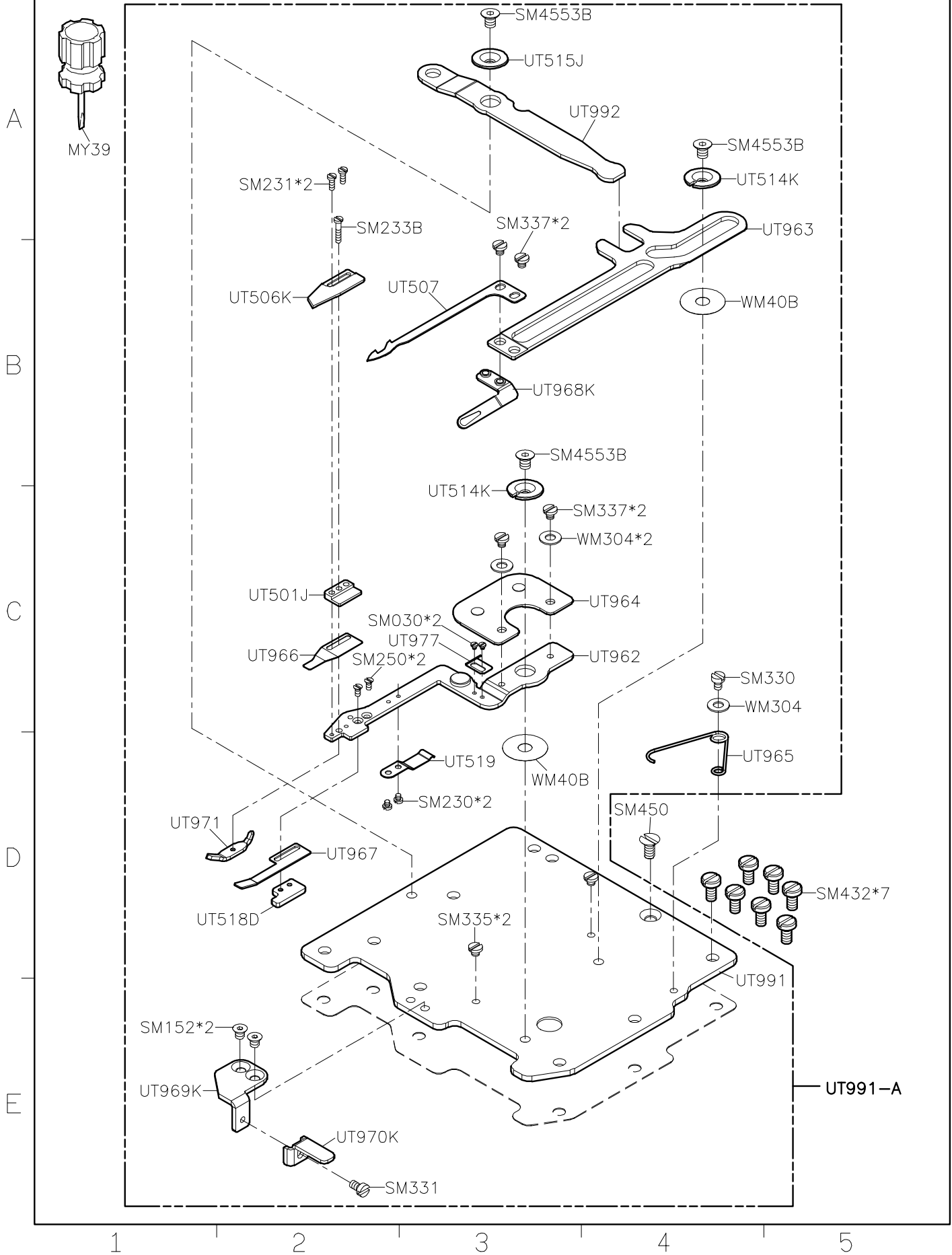
**Subclass / Remark**

**Page**

**1/10**

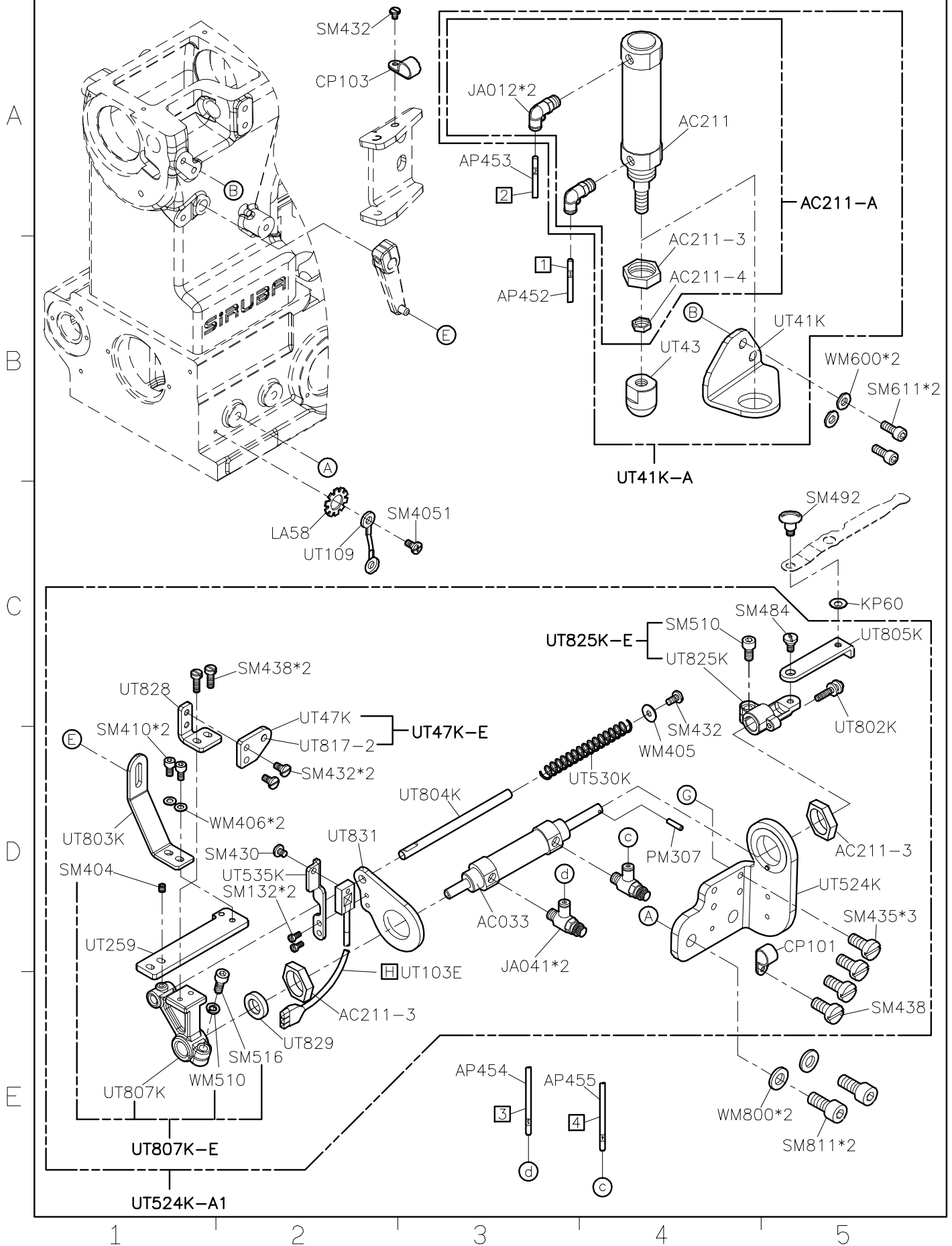
**Date**

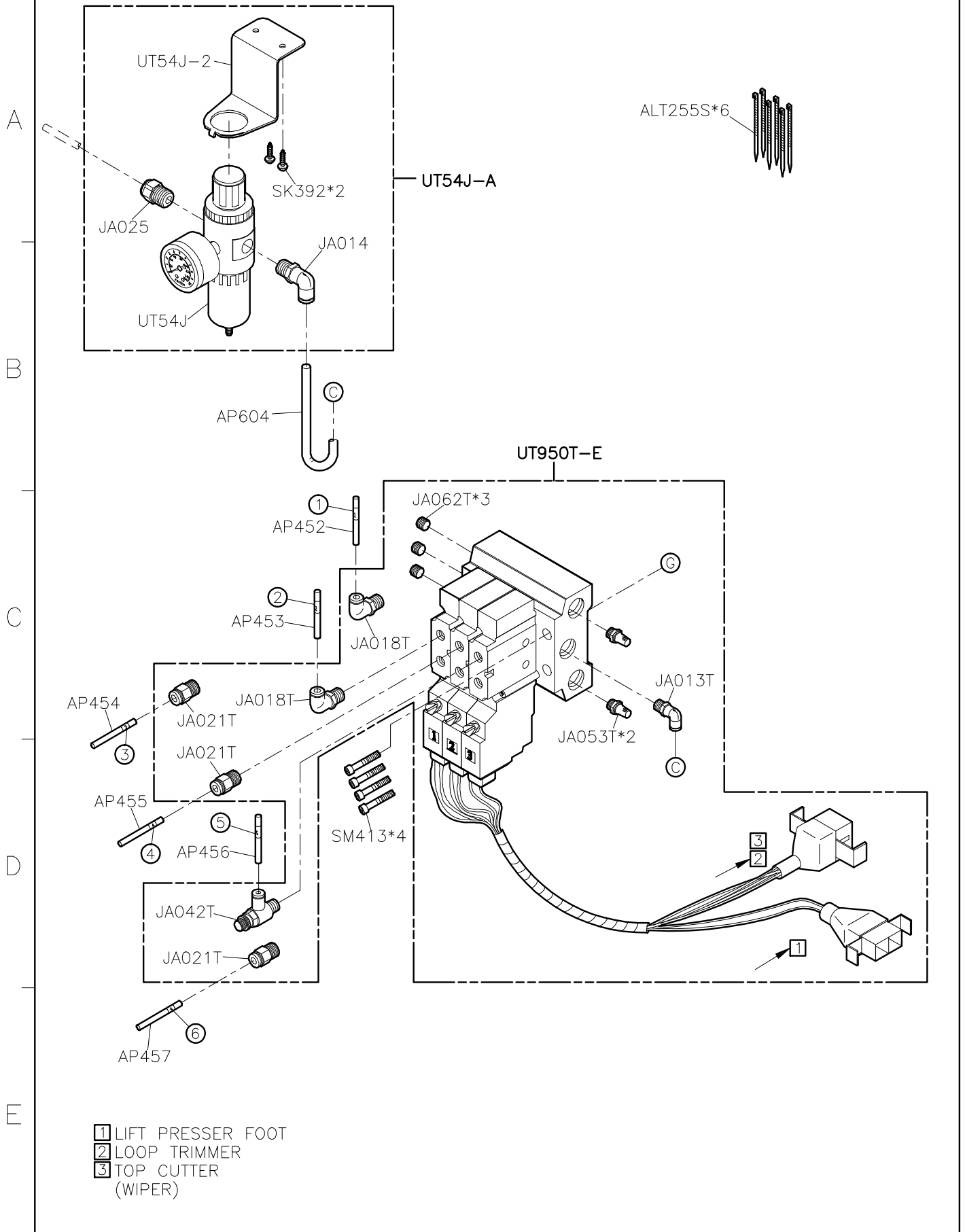
**2020/3/12**

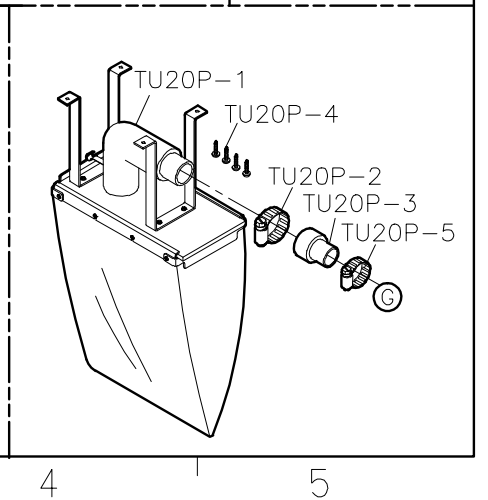
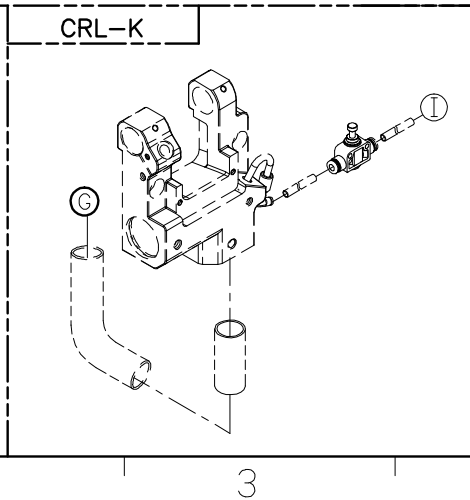
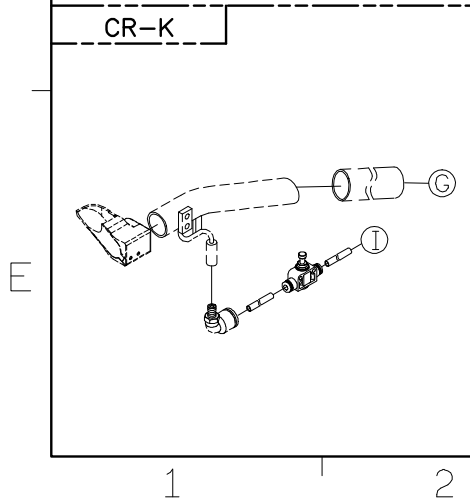
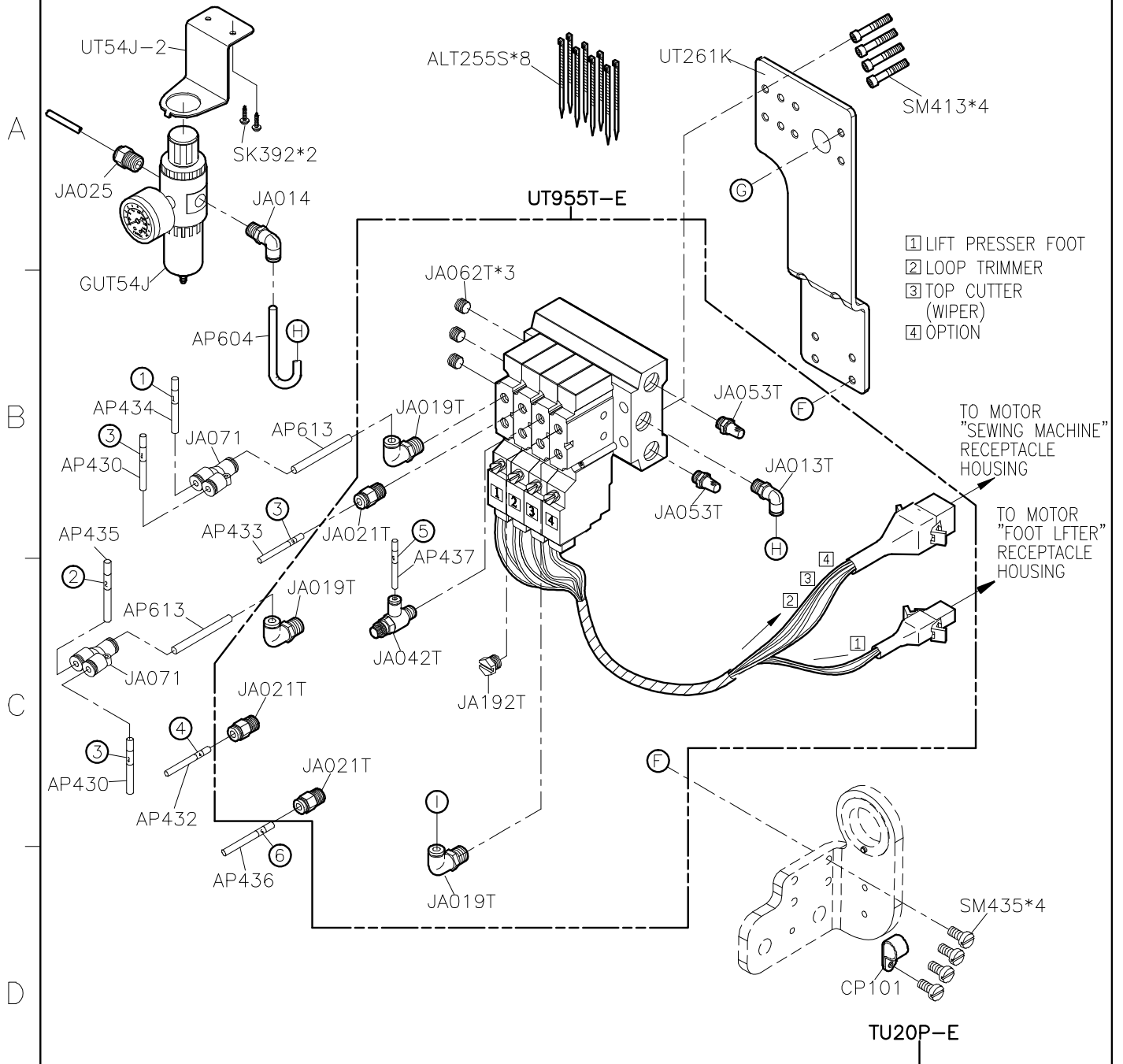


**SIRUBA****PARTS LIST****Series****C007K/C007KD  
C007KP/C858K****Parts Group****UTP(UTQ)-K****Subclass / Remark**

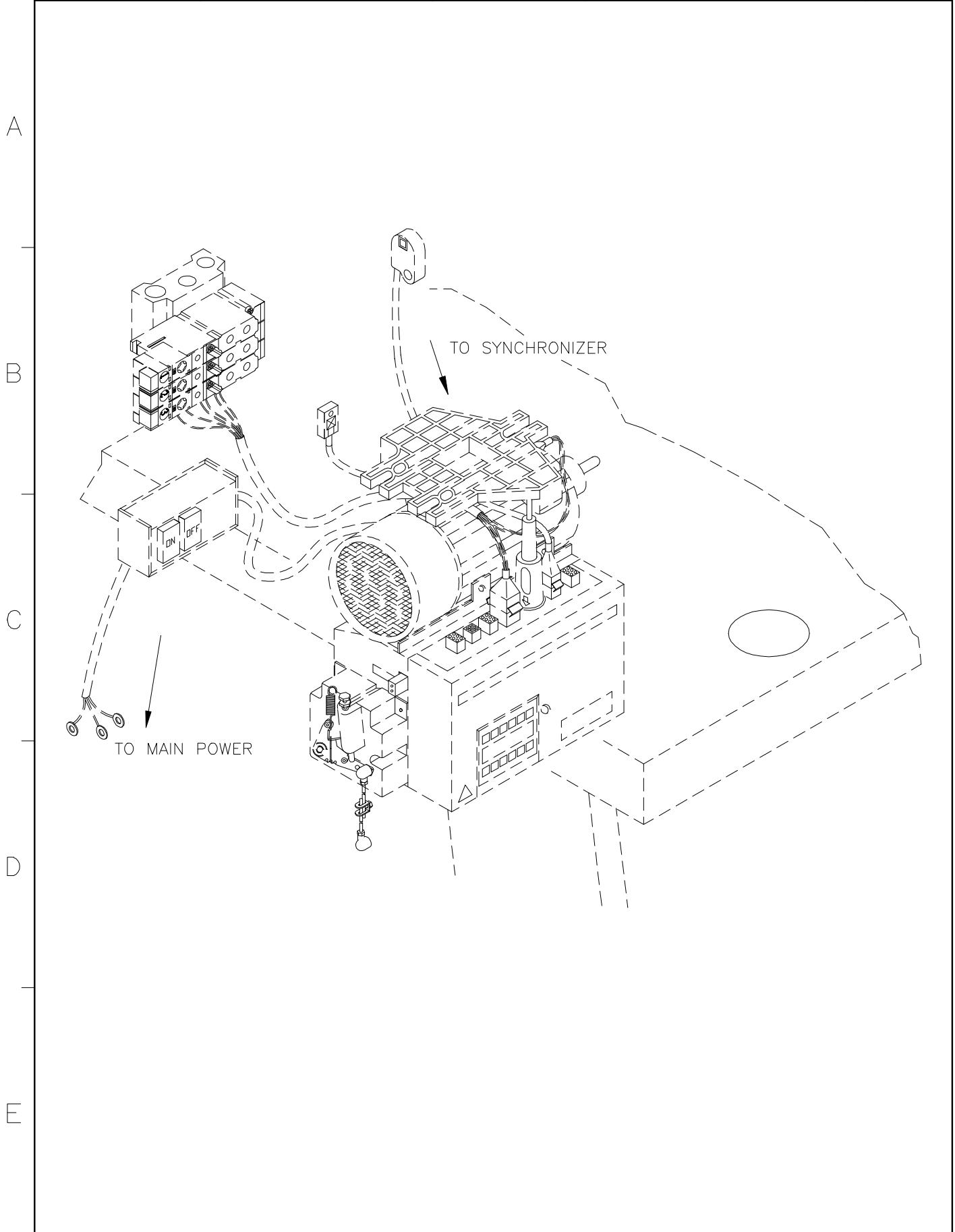
☐ : Use for H brand motor

**Page****2/10****Date****2020/4/16**





SIRUBA PARTS LIST	Series	Parts Group	Subclass / Remark	Page
	C007K/C007KD	UTP(UTQ)-K		5/10
	C007KP/C858K			Date
				2020/3/12



**SIRUBA**

**PARTS LIST**

**Series**

**C007K/C007KD  
C007KP/C858K**

**Parts Group**

**UTP(UTQ)-K**

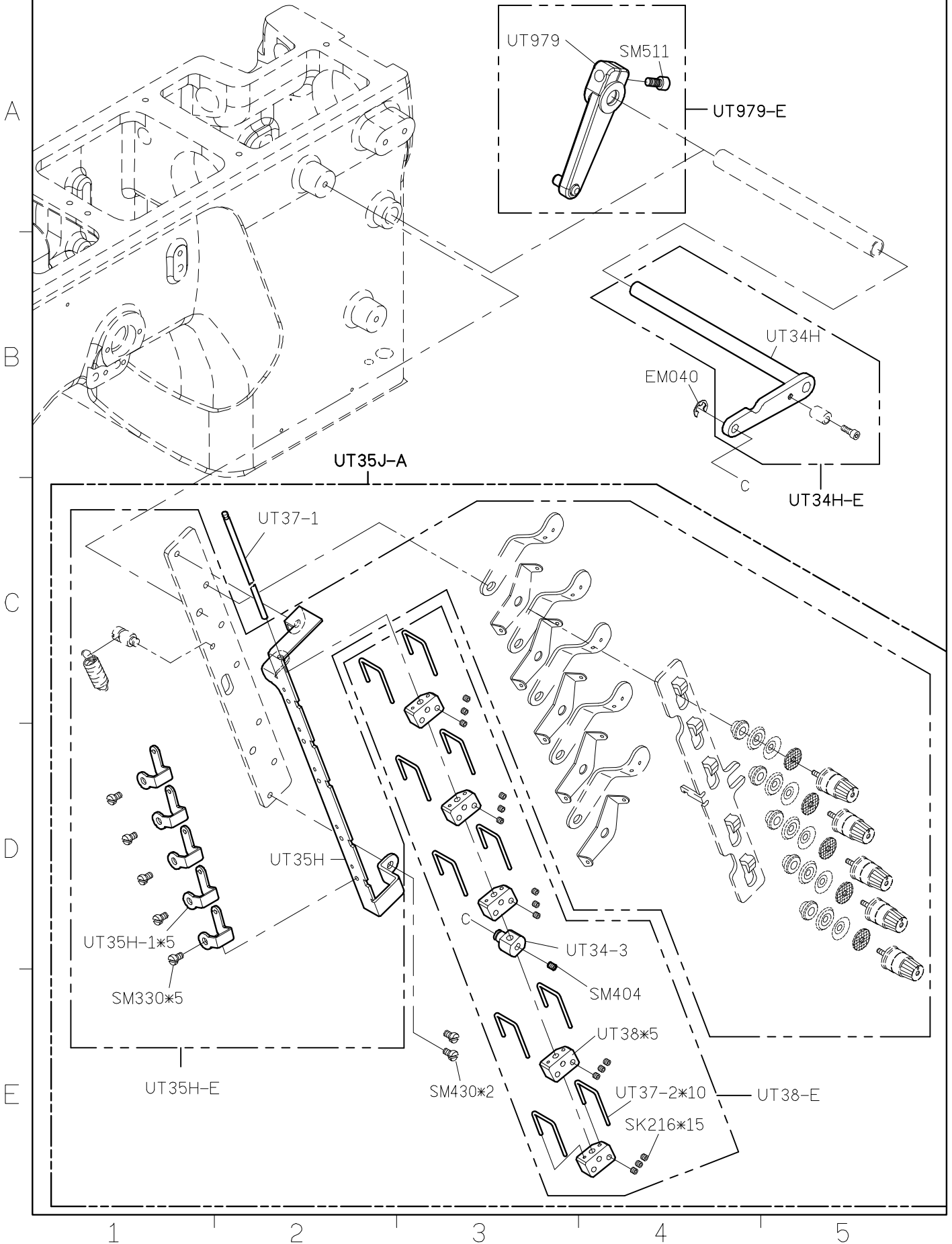
**Subclass / Remark**

**Page**

6/10

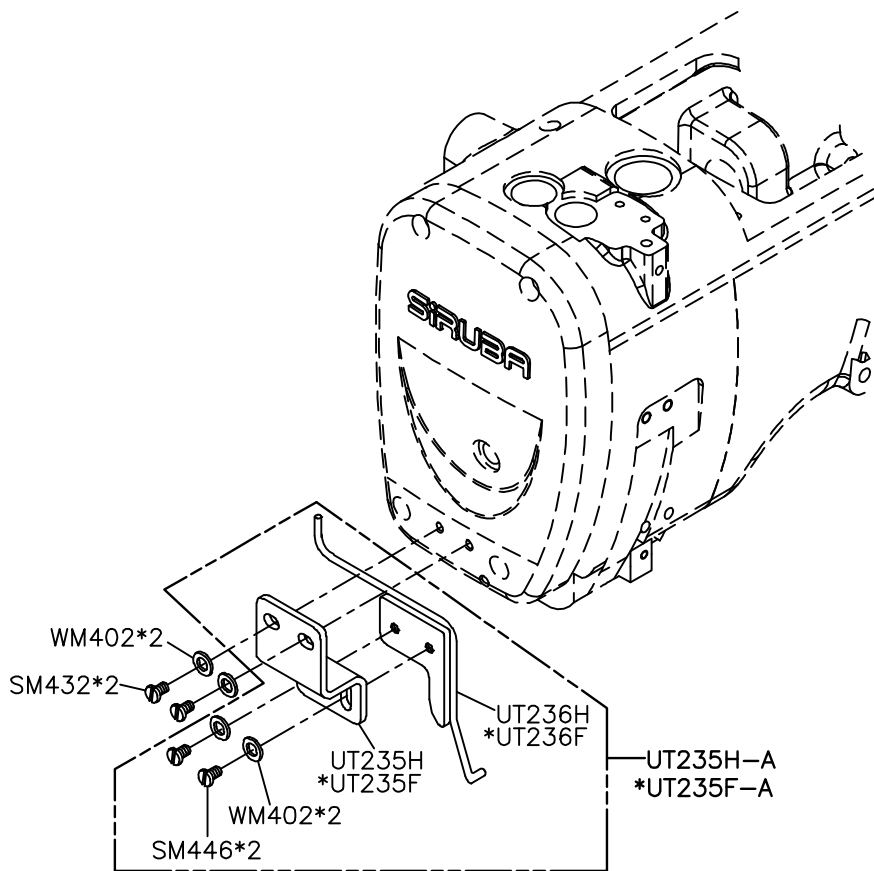
**Date**

2020/3/12

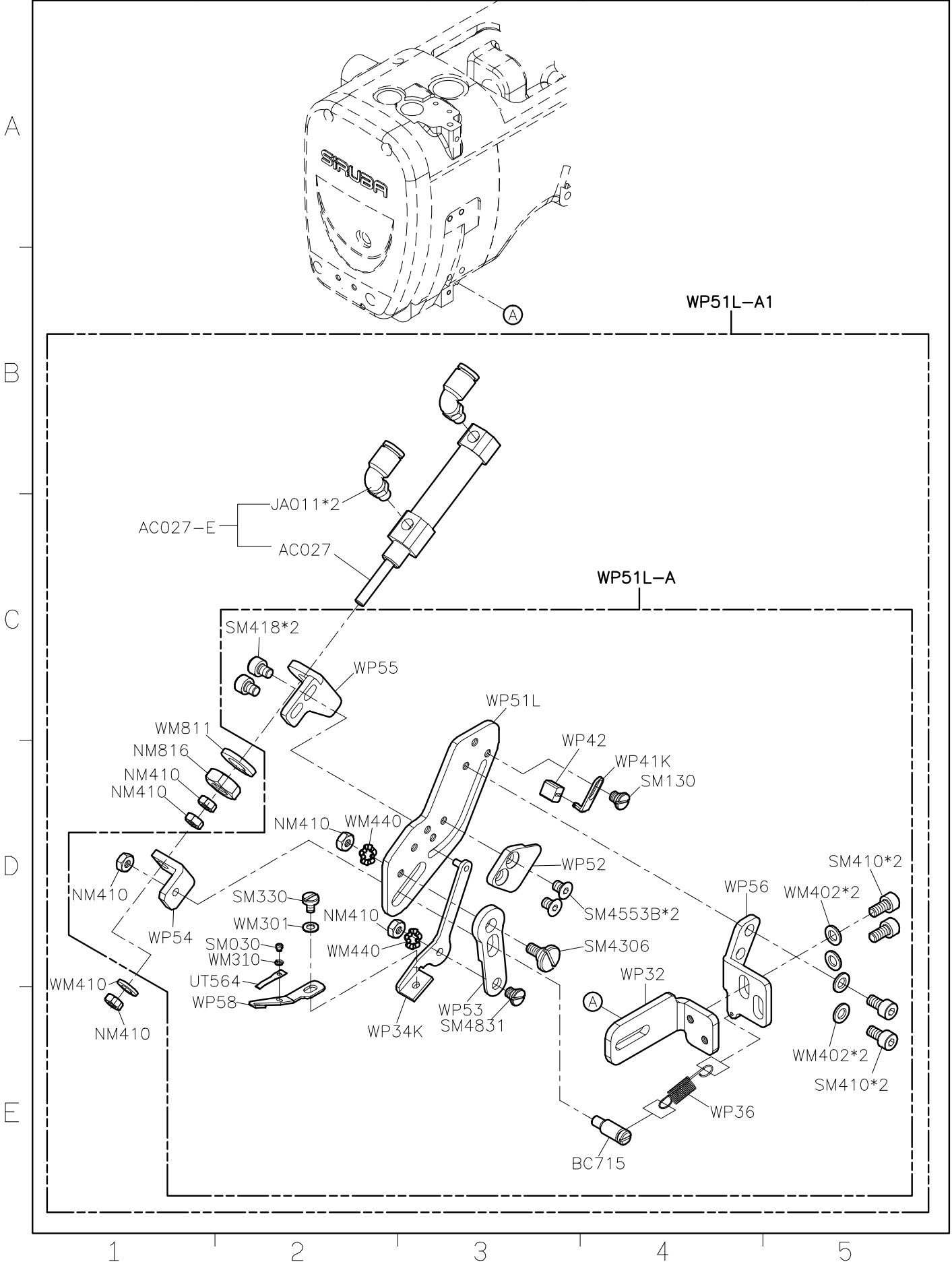


<b>SIRUBA</b>	Series	Parts Group	Subclass / Remark	Page
PARTS LIST	C007K/C007KD	<b>UTQ-K</b>	*Use for FFT	7/10
	C007KP/C858K			Date
				2022/06/22

FOR LEFT SIDE

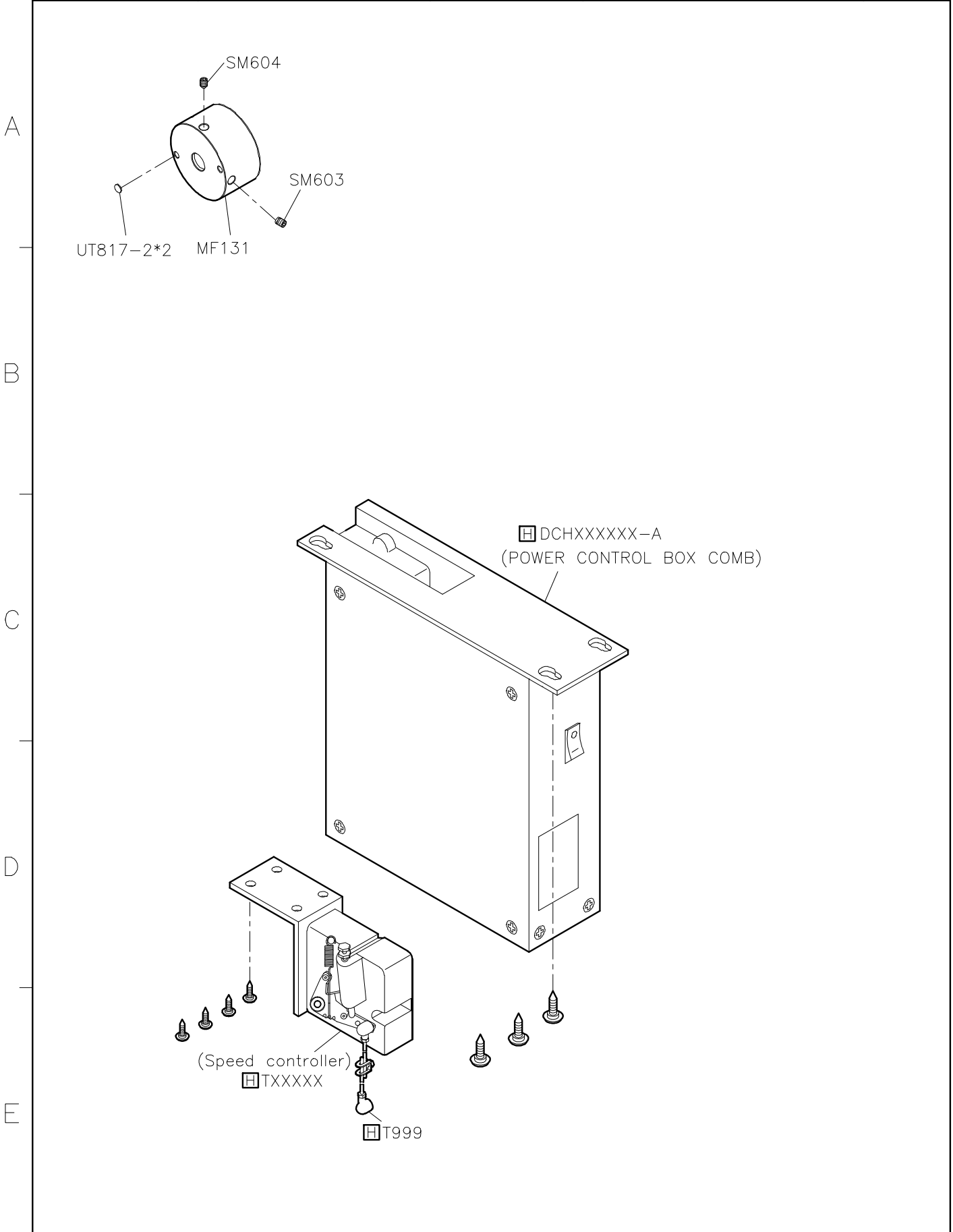


SIRUBA PARTS LIST	Series	Parts Group	Subclass / Remark	Page
	C007K/C007KD	UTQ-K1	For allocation	8/10
	C007KP/C858K			Date
				2020/4/17





SIRUBA PARTS LIST	Series	Parts Group	Subclass / Remark	Page
	C007K/C007KD C007KP/C858K	UTP(UTQ)-K	For C007KD ☐H : Use for H brand motor (i-60)	10/10
				Date 2020/3/12



1

2

3

4

5

**SIRUBA**

PARTS LIST

Series

C007K/C007KD  
C858K

Parts Group

UTR(UTS)-K

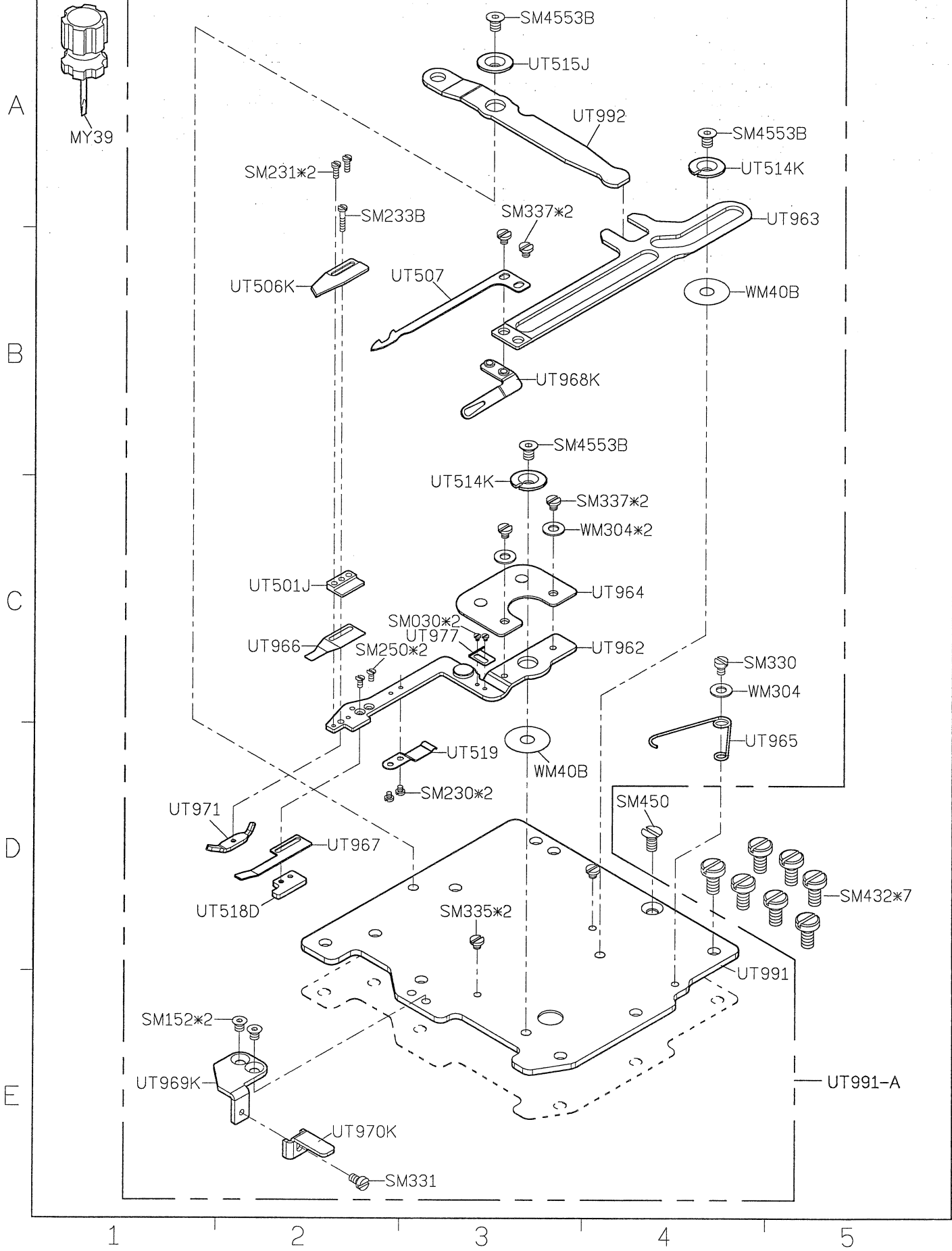
Subclass / Remark

Page

1/10

Date

2016/8/30



**SIRUBA**

PARTS LIST

Series

C007K/C007KD  
C858K

Parts Group

UTR(UTS)-K

Subclass / Remark

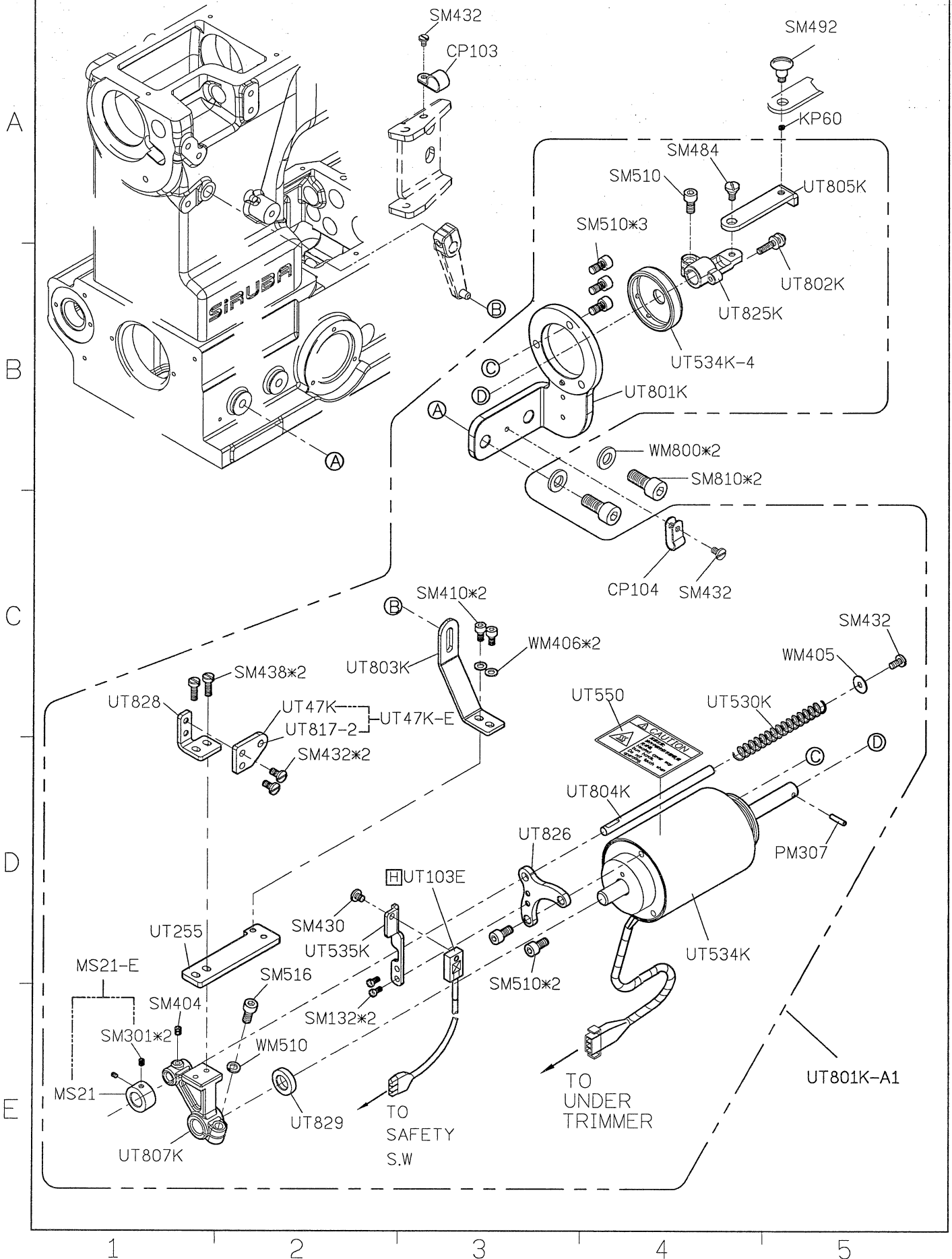
☐ : Use for H brand motor

Page

2/10

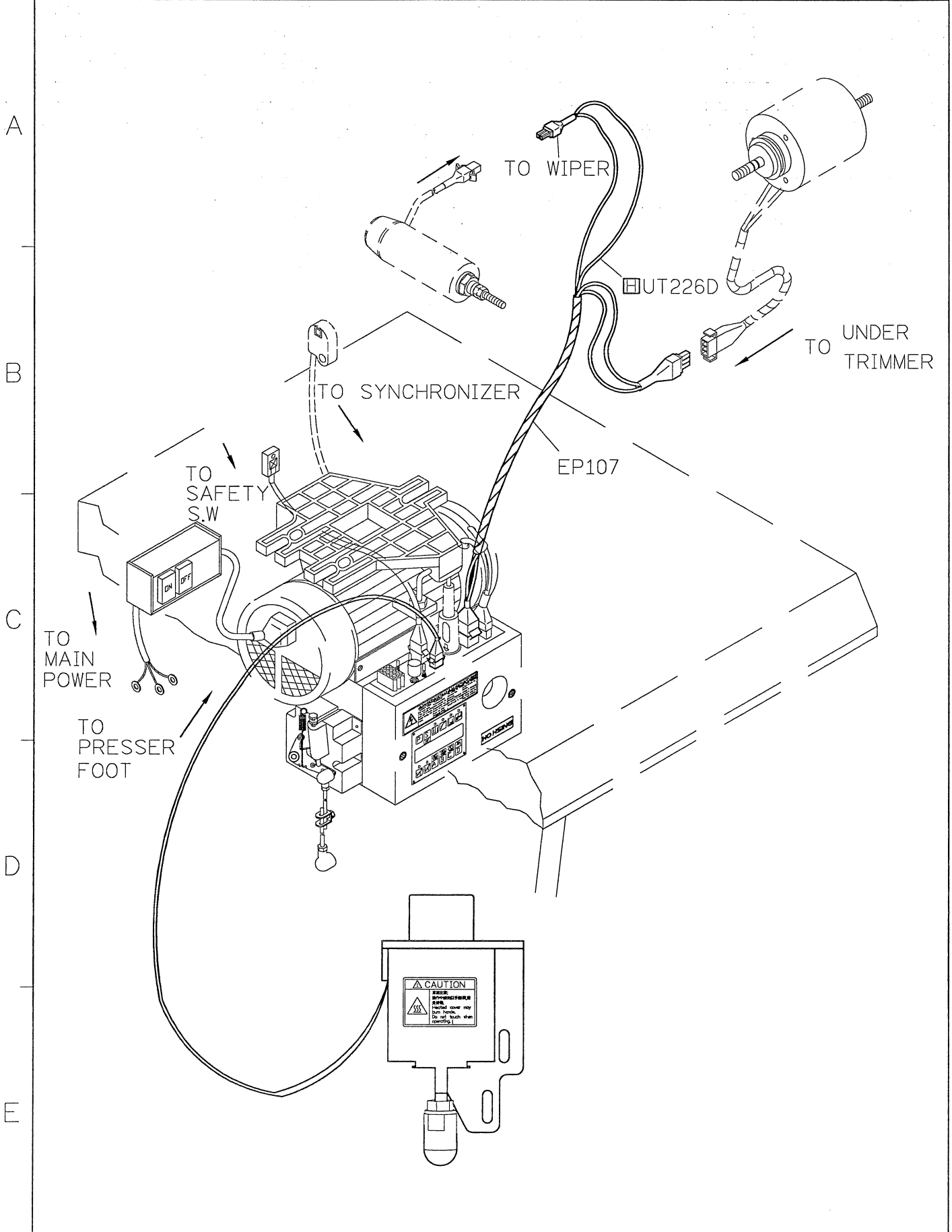
Date

2016/8/30

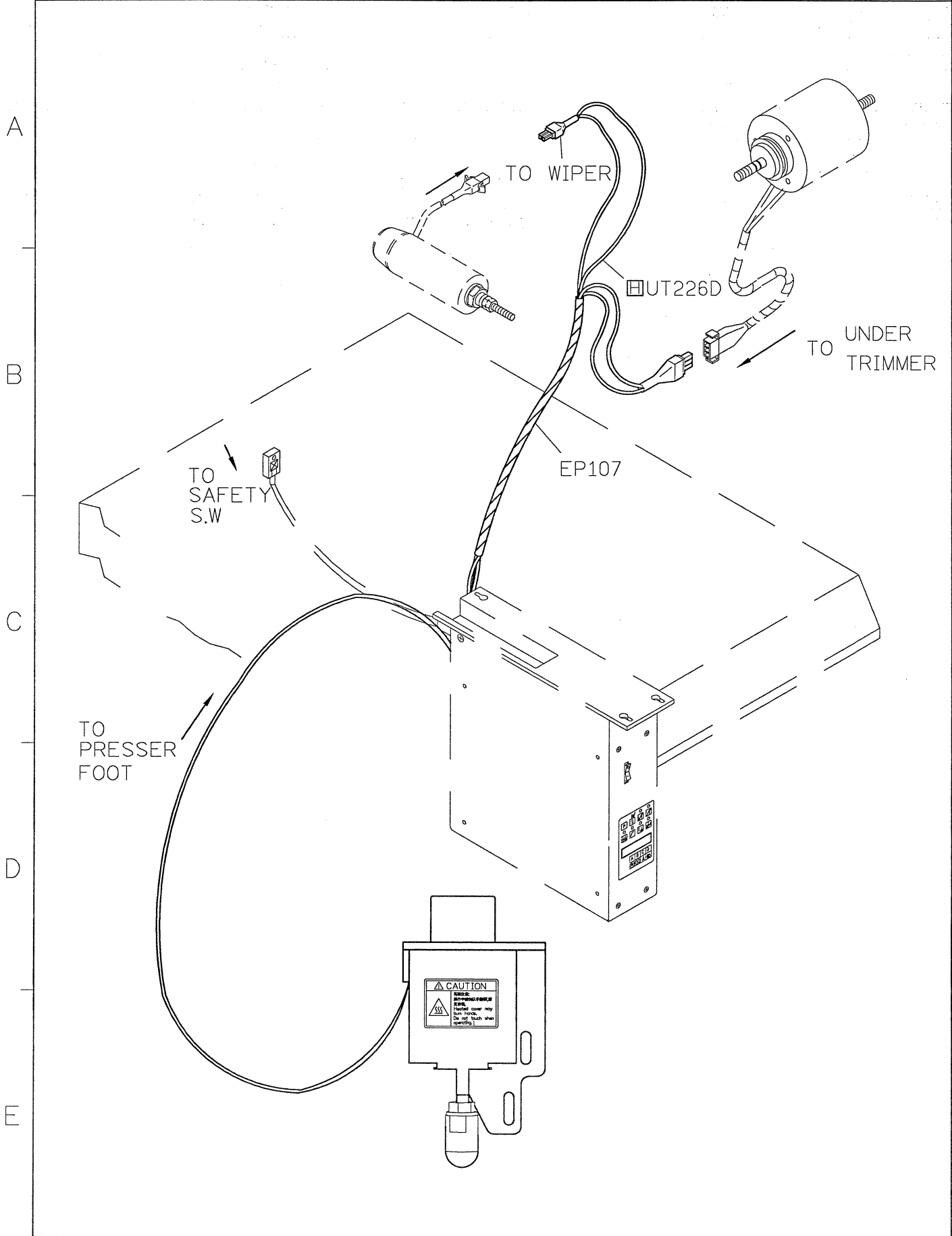


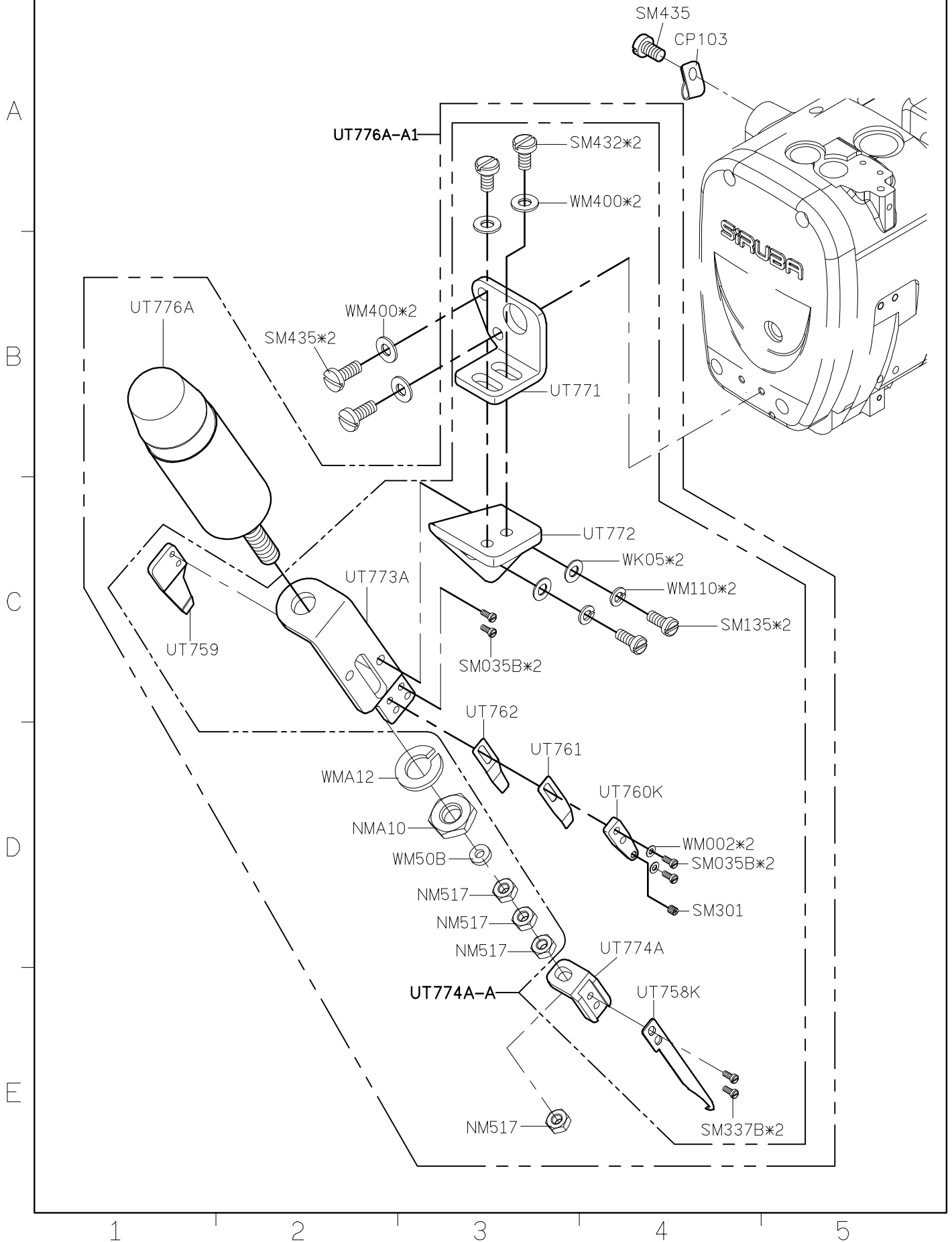


<b>SIRUBA</b> PARTS LIST	Series	Parts Group	Subclass / Remark	Page
	C007K/C007KD C858K	UTR(UTS)-K	For C007K/C858K ☐ : Use for H brand motor	4/10
				Date 2016/8/30



SIRUBA PARTS LIST	Series	Parts Group	Subclass / Remark	Page
	C007K/C007KD C858K	UTR(UTS)-K	For C007KD ☐ : Use for H brand motor	5/10
				Date 2016/8/30







**SIRUBA**

PARTS LIST

Series

C007K/C007KD  
C858K

Parts Group

UTR(UTS)-K

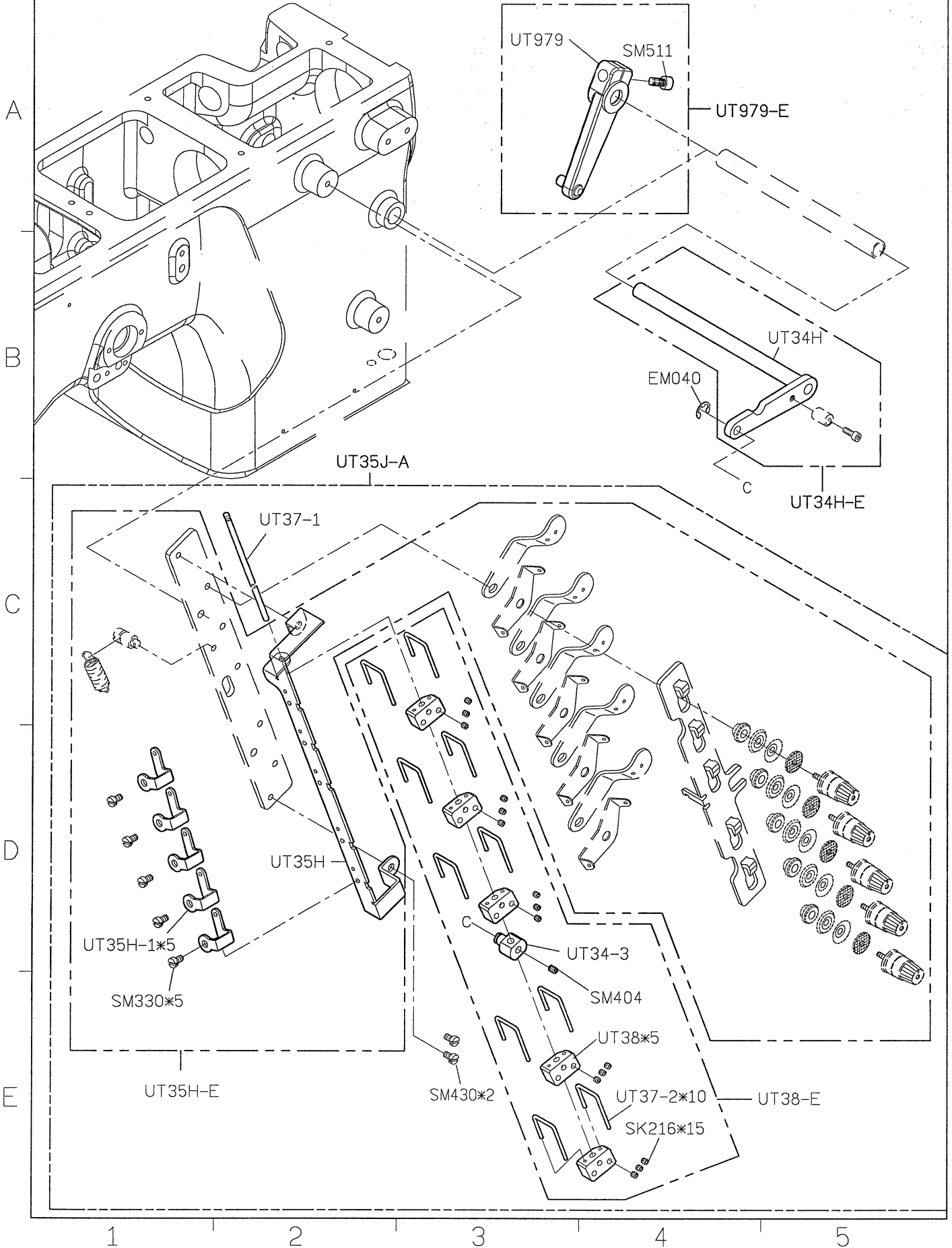
Subclass / Remark

Page

8/10

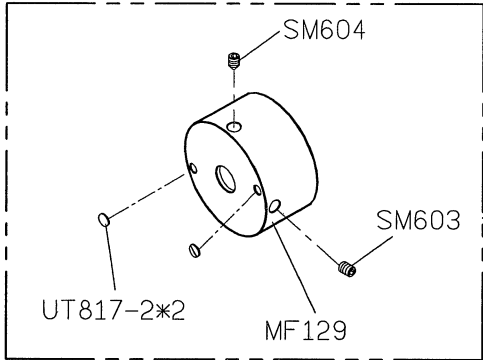
Date

2016/8/30



SIRUBA PARTS LIST	Series	Parts Group	Subclass / Remark	Page
	C007K/C007KD C858K	UTR(UTS)-K	For C007K/C858K ☐ : Use for H brand motor	9/10
				Date 2016/8/30

A



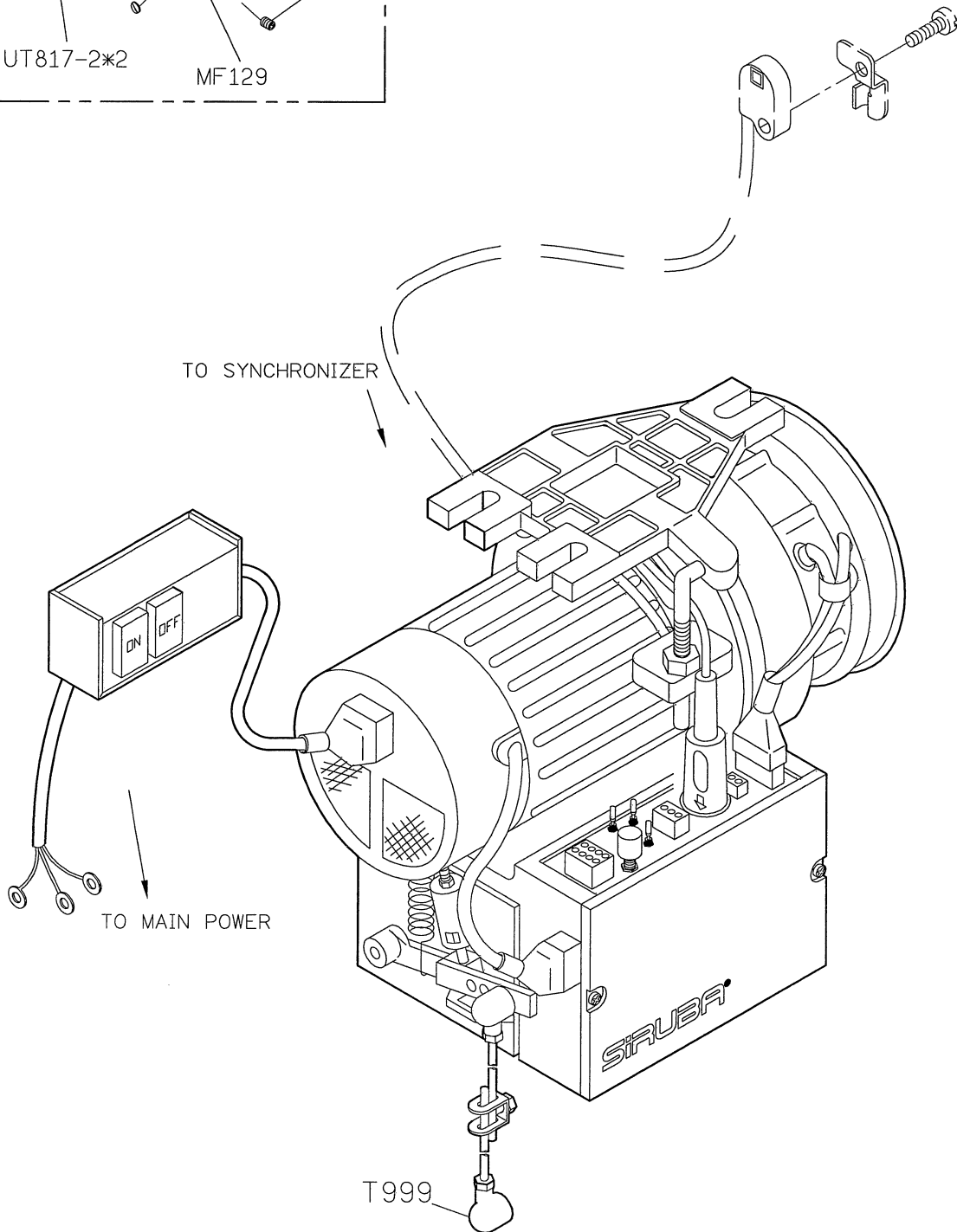
UT818J-A

B

C

D

E



1

2

3

4

5

SIRUBA PARTS LIST	Series	Parts Group	Subclass / Remark	Page
	C007K/C007KD C858K	UTR(UTS)-K	☐ : Use for H brand motor (i - 60)	10/10
				Date
				2016/8/30

A  
B  
C  
D  
E

