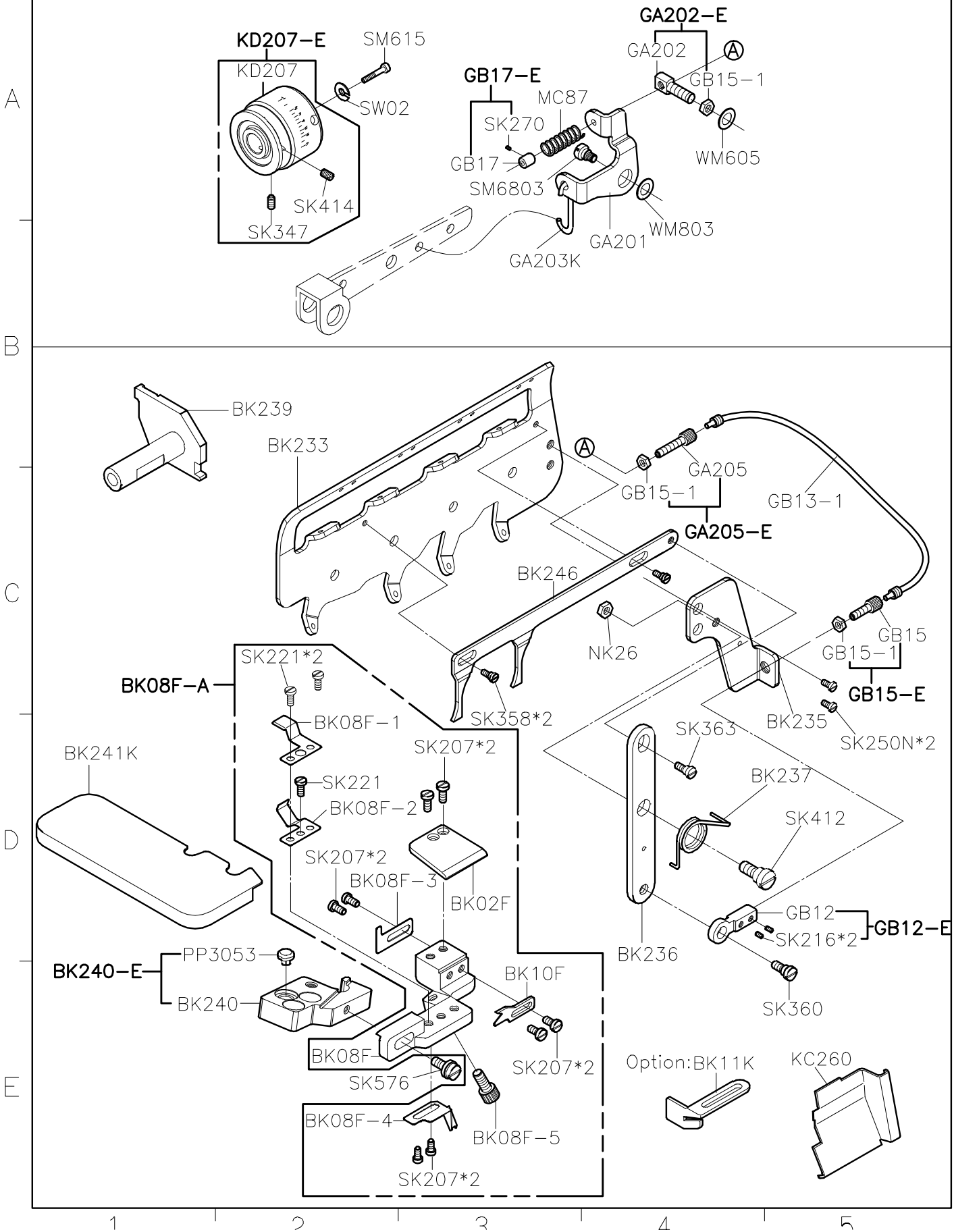
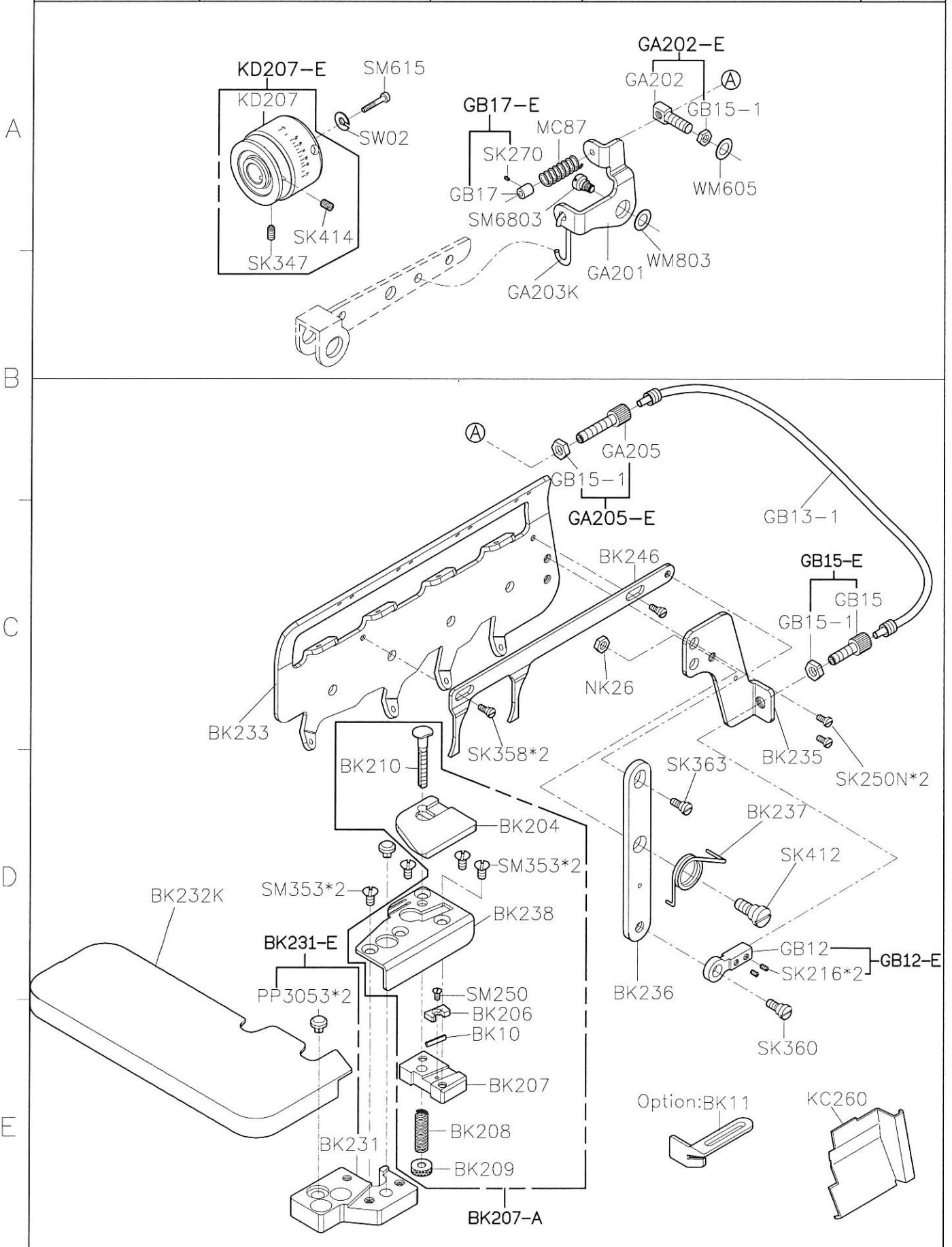


SIRUBA PARTS LIST	Series	Parts Group	Subclass / Remark	Page
	700K/988	BK-1K		1/1
				Date
				2021/11/22

FOR 700K/988



SIRUBA PARTS LIST	Series	Parts Group	Subclass / Remark	Page
	700K/988	BK-K		1/1
				Date
				2021/11/23



1                      2                      3                      4                      5

**SIRUBA**

PARTS LIST

Series

**700K**

Parts Group

**BKF**

Subclass / Remark

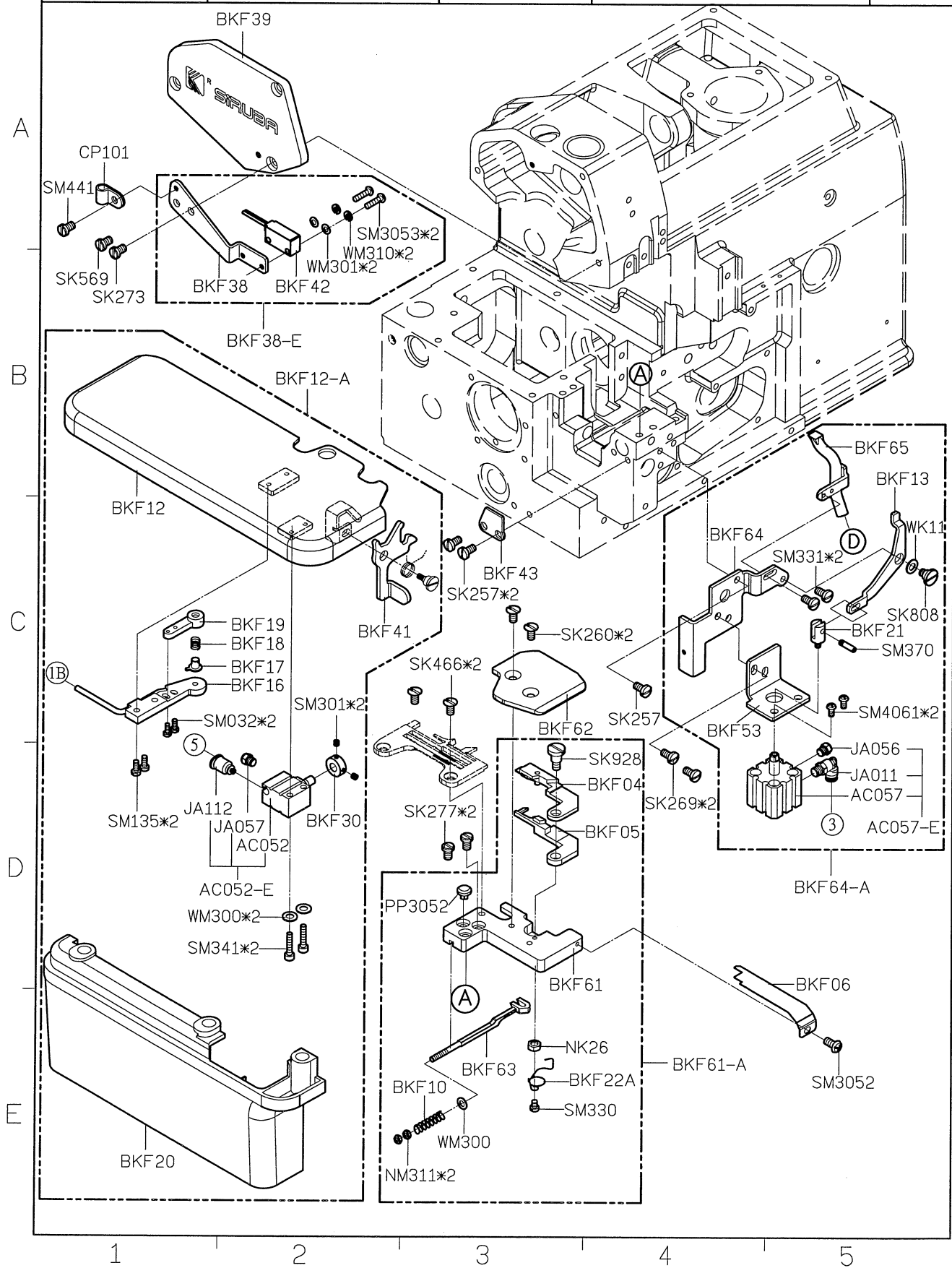
For 737K

Page

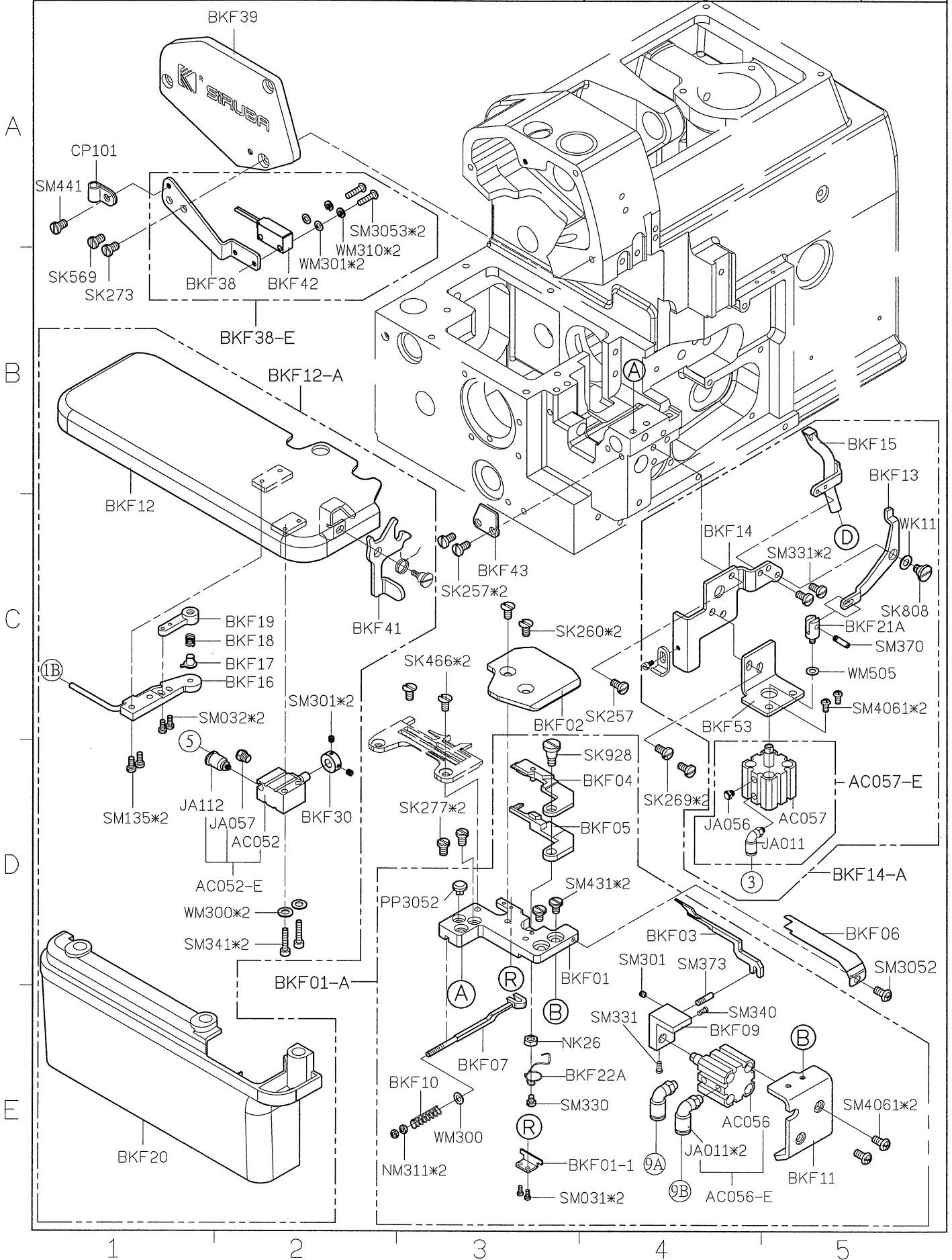
1/11

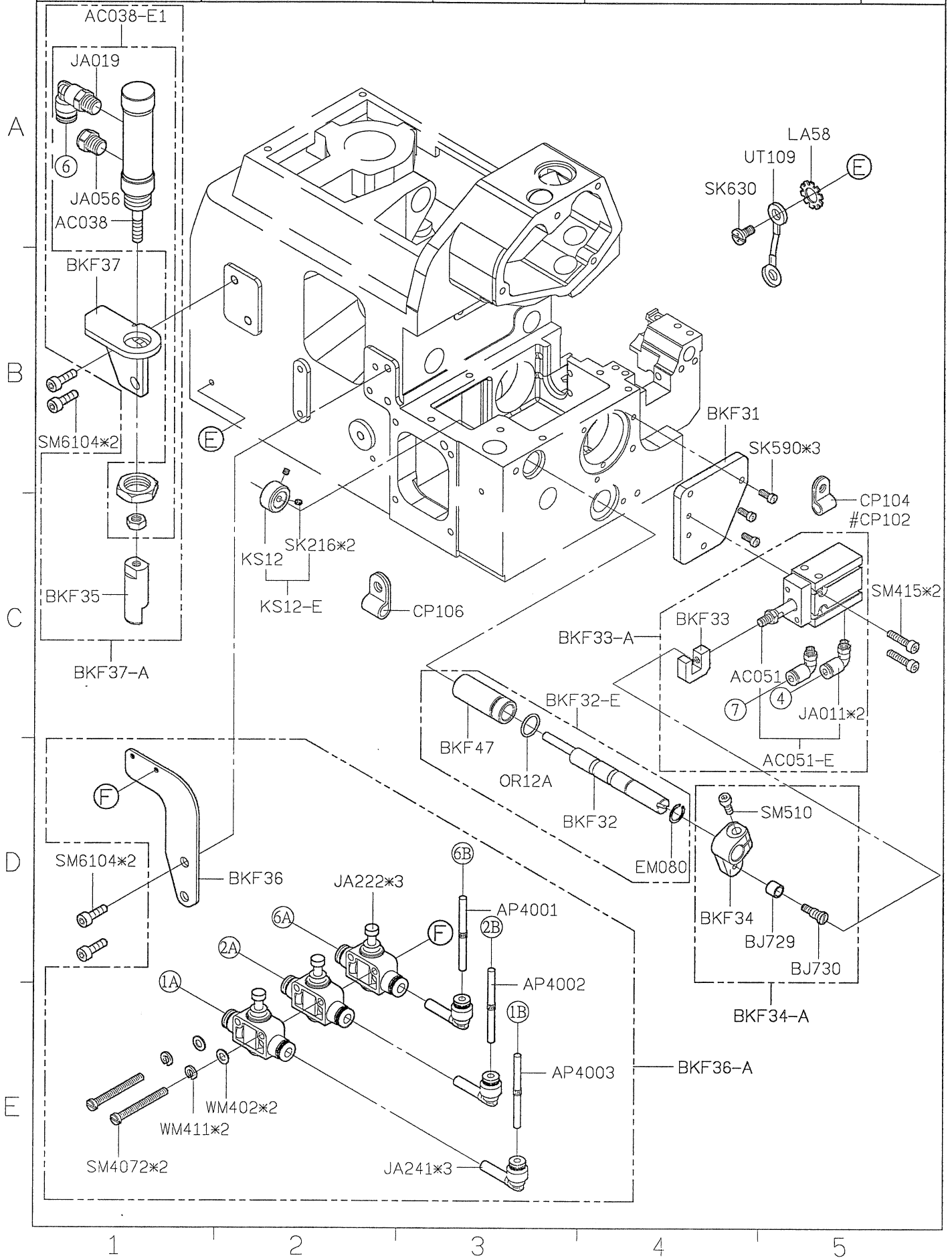
Date

2015/10/22



SIRUBA PARTS LIST	Series	Parts Group	Subclass / Remark	Page
	700K	BKF	For 747K	2/11
				Date
				2017/07/20





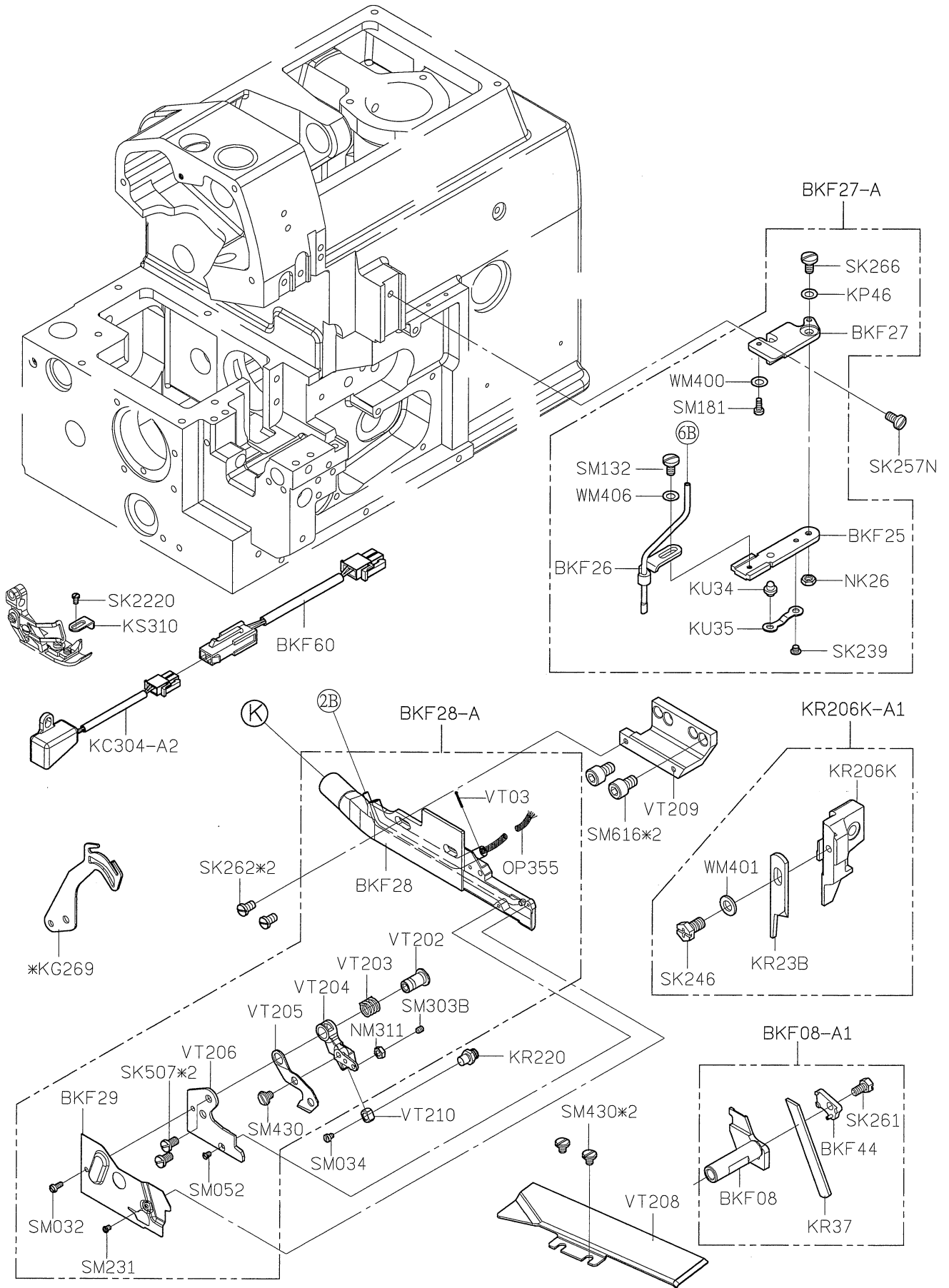
A

B

C

D

E



1

2

3

4

5

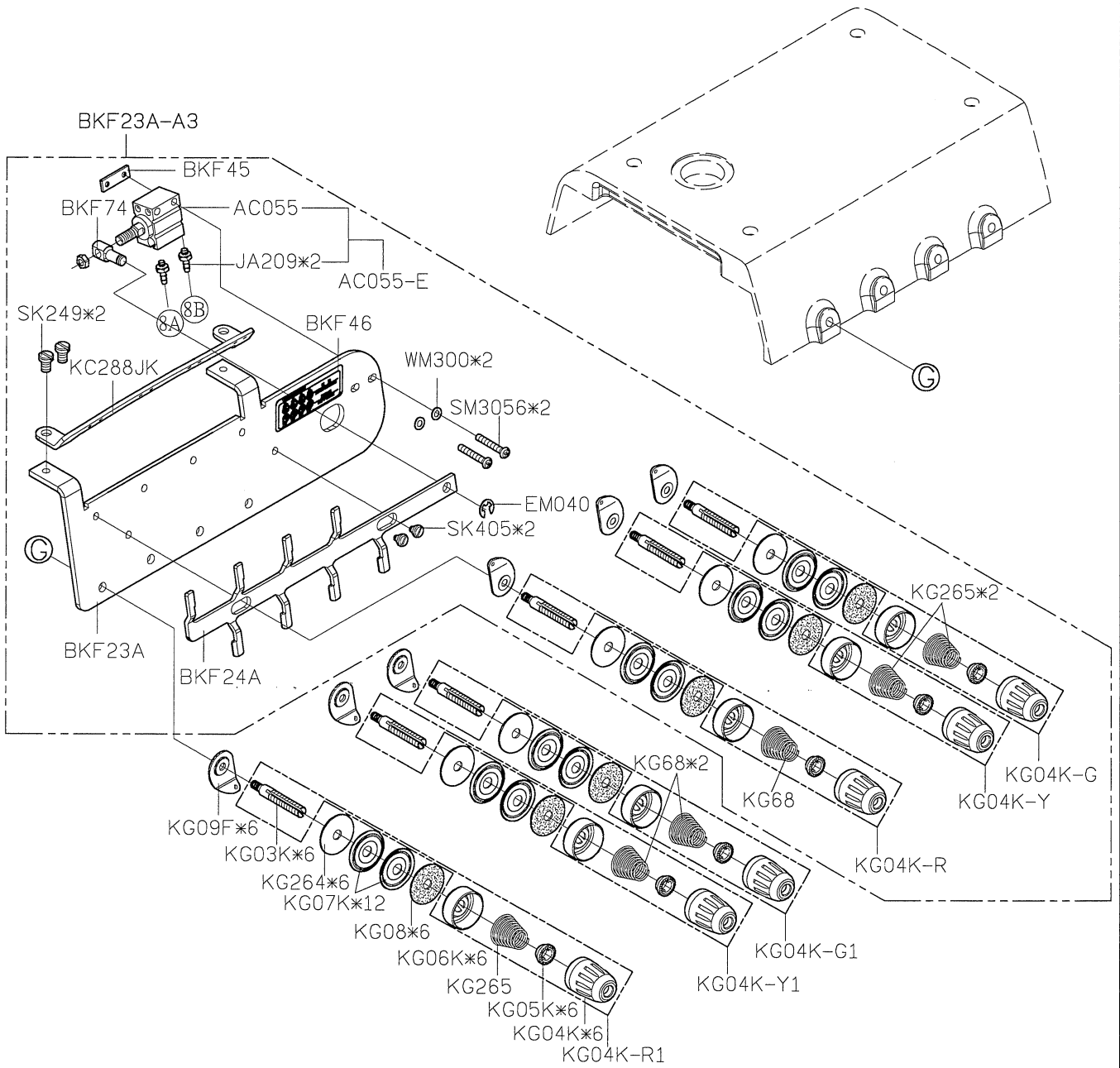
A

B

C

D

E



1

2

3

4

5

SIRUBA PARTS LIST	Series	Parts Group	Subclass / Remark	Page
	700K	BKF	For 747K	6/11
				Date
				2017/10/17

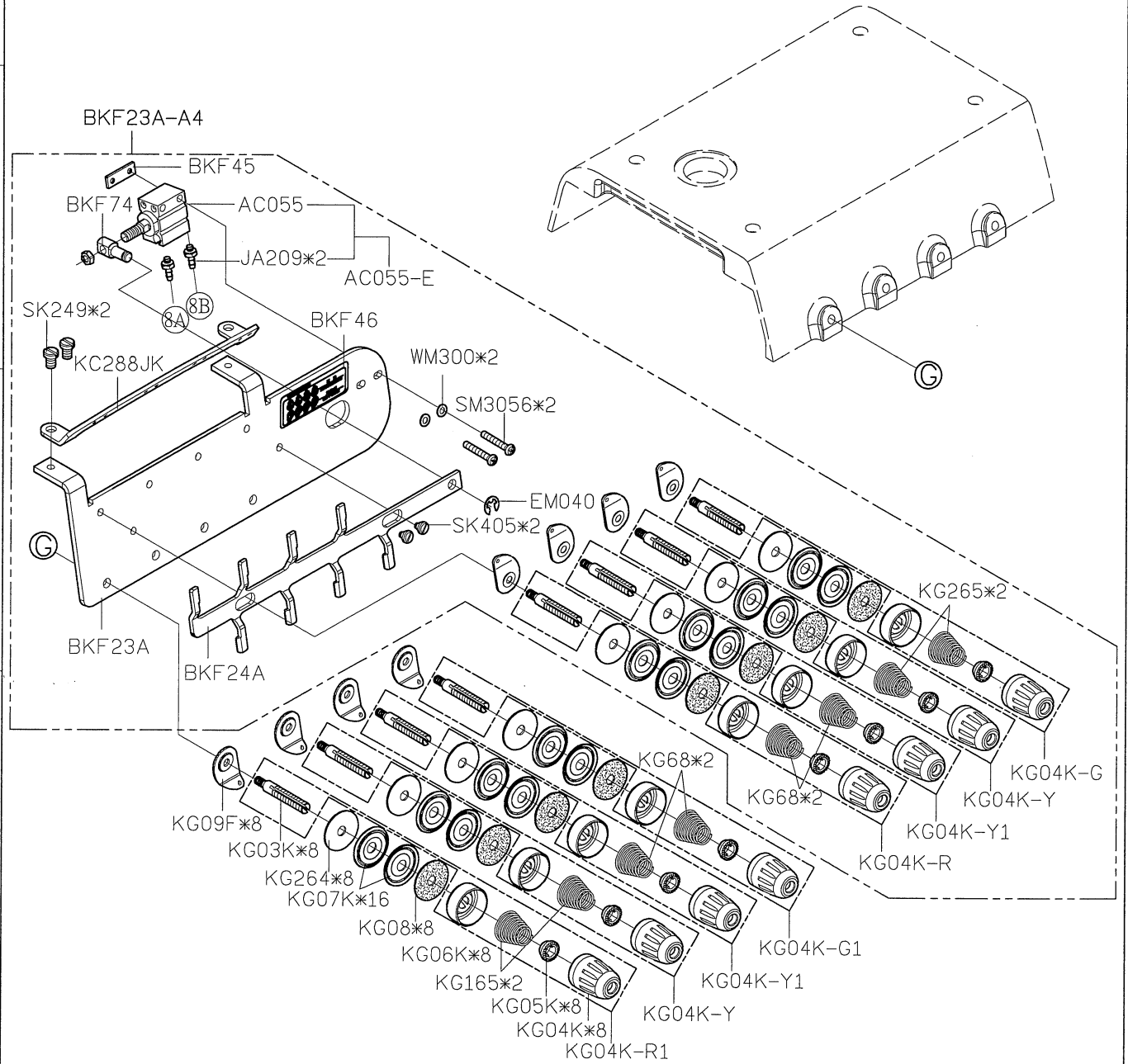
A

B

C

D

E



1

2

3

4

5

**SIRUBA**

PARTS LIST

Series

**700K**

Parts Group

**BKF**

Subclass / Remark

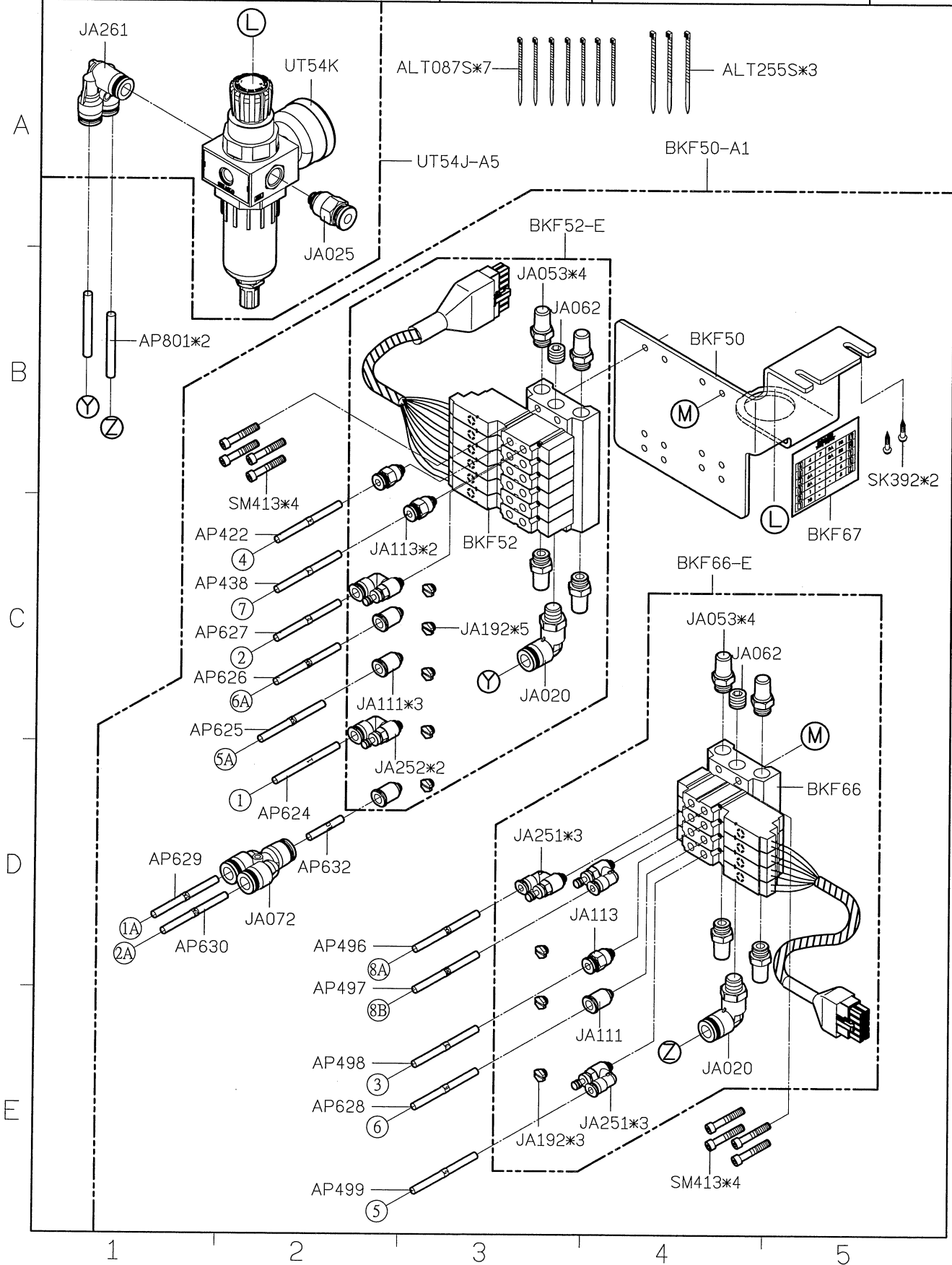
For 737K

Page

7/11

Date

2015/9/9



**SIRUBA**

PARTS LIST

Series

**700K**

Parts Group

**BKF**

Subclass / Remark

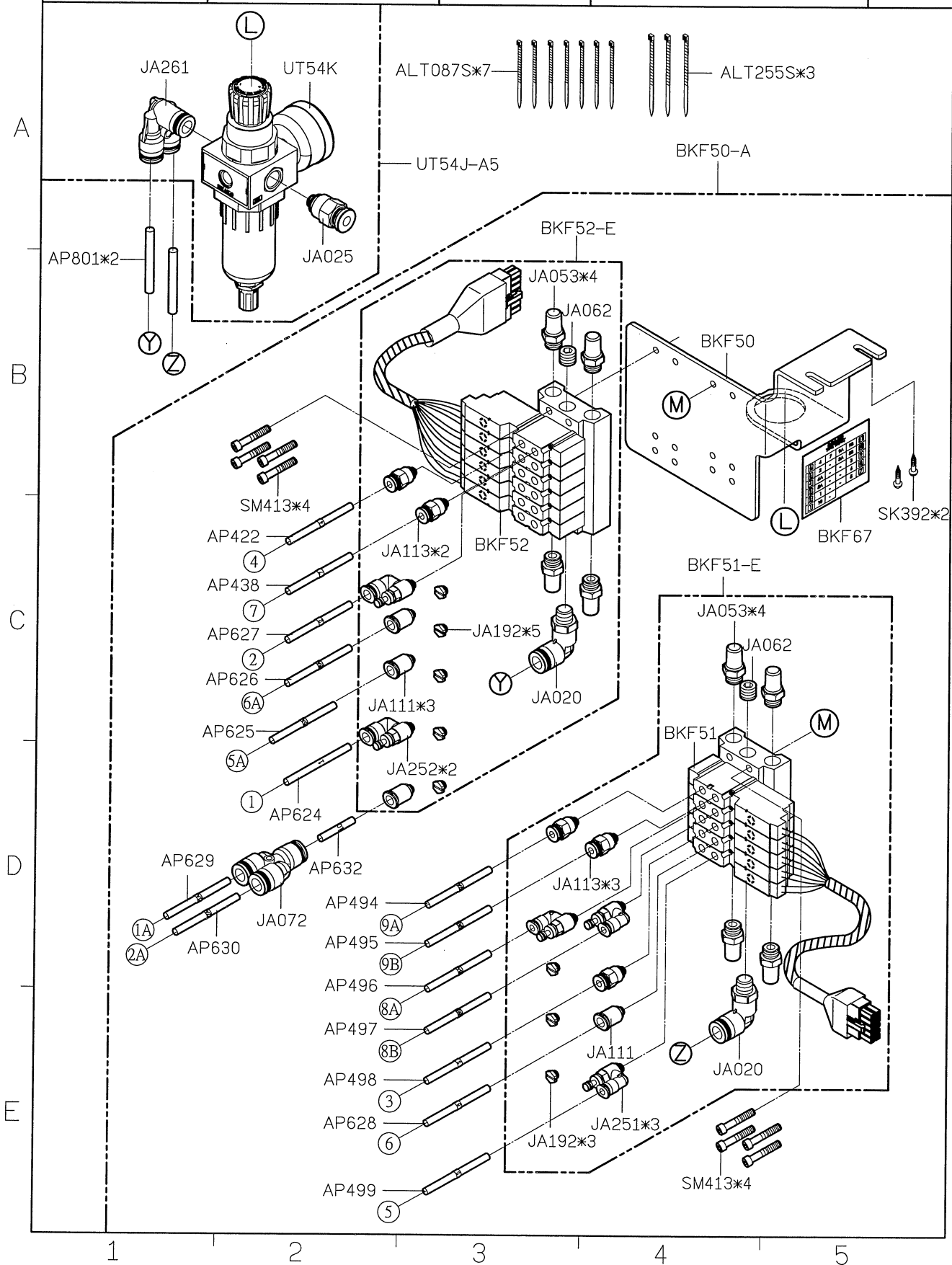
For 747K

Page

8/11

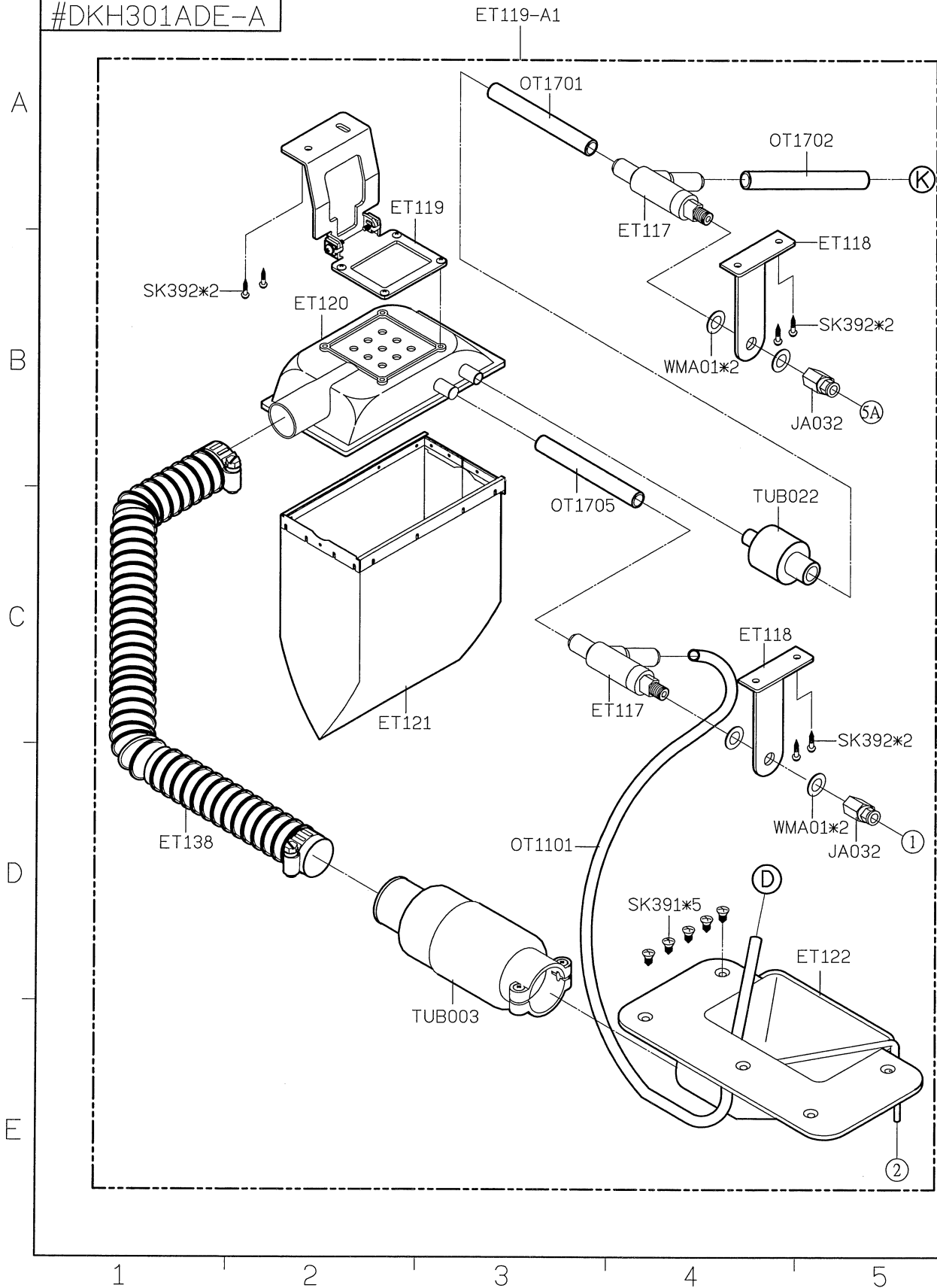
Date

2015/9/9



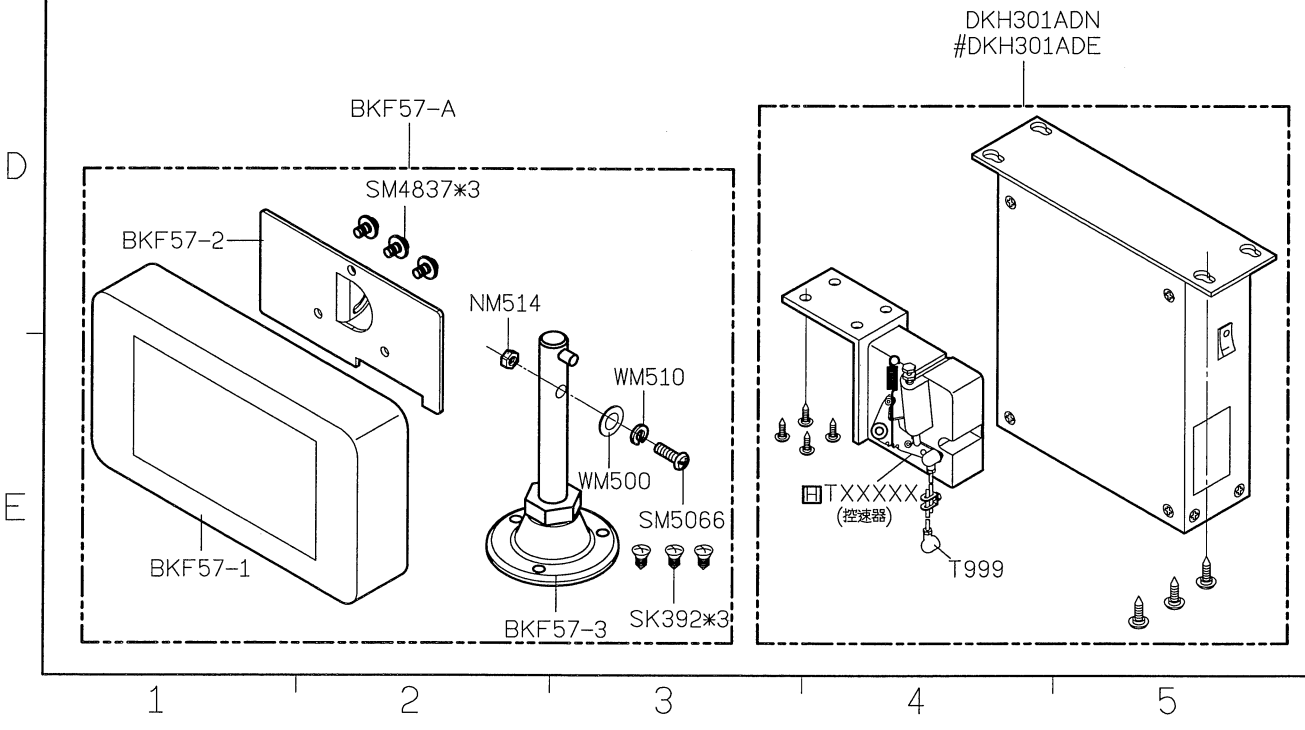
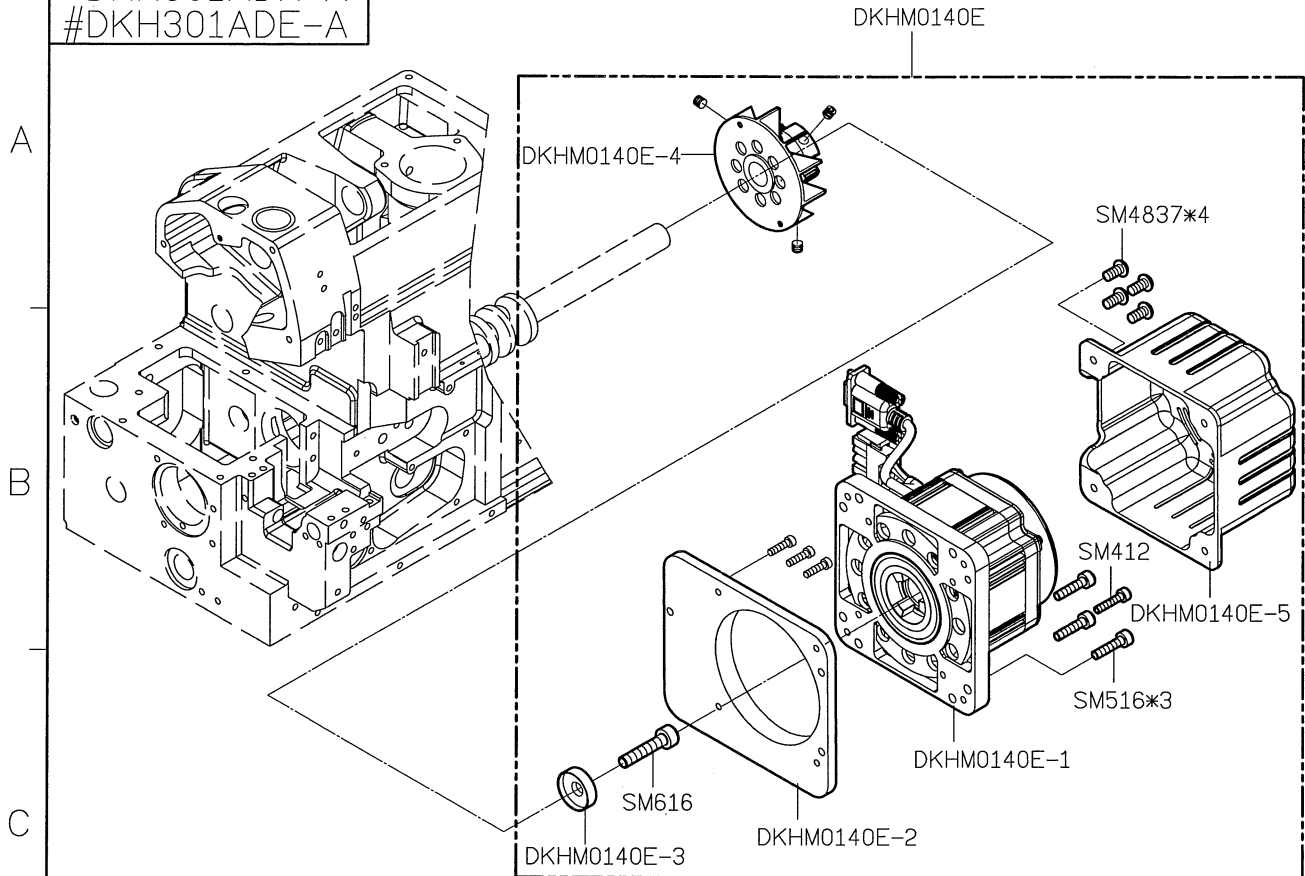
<b>SIRUBA</b> PARTS LIST	Series	Parts Group	Subclass / Remark	Page
	<b>700K</b>	<b>BKF</b>		9/11
				Date
				2016/4/12

DKH301ADN-A  
#DKH301ADE-A



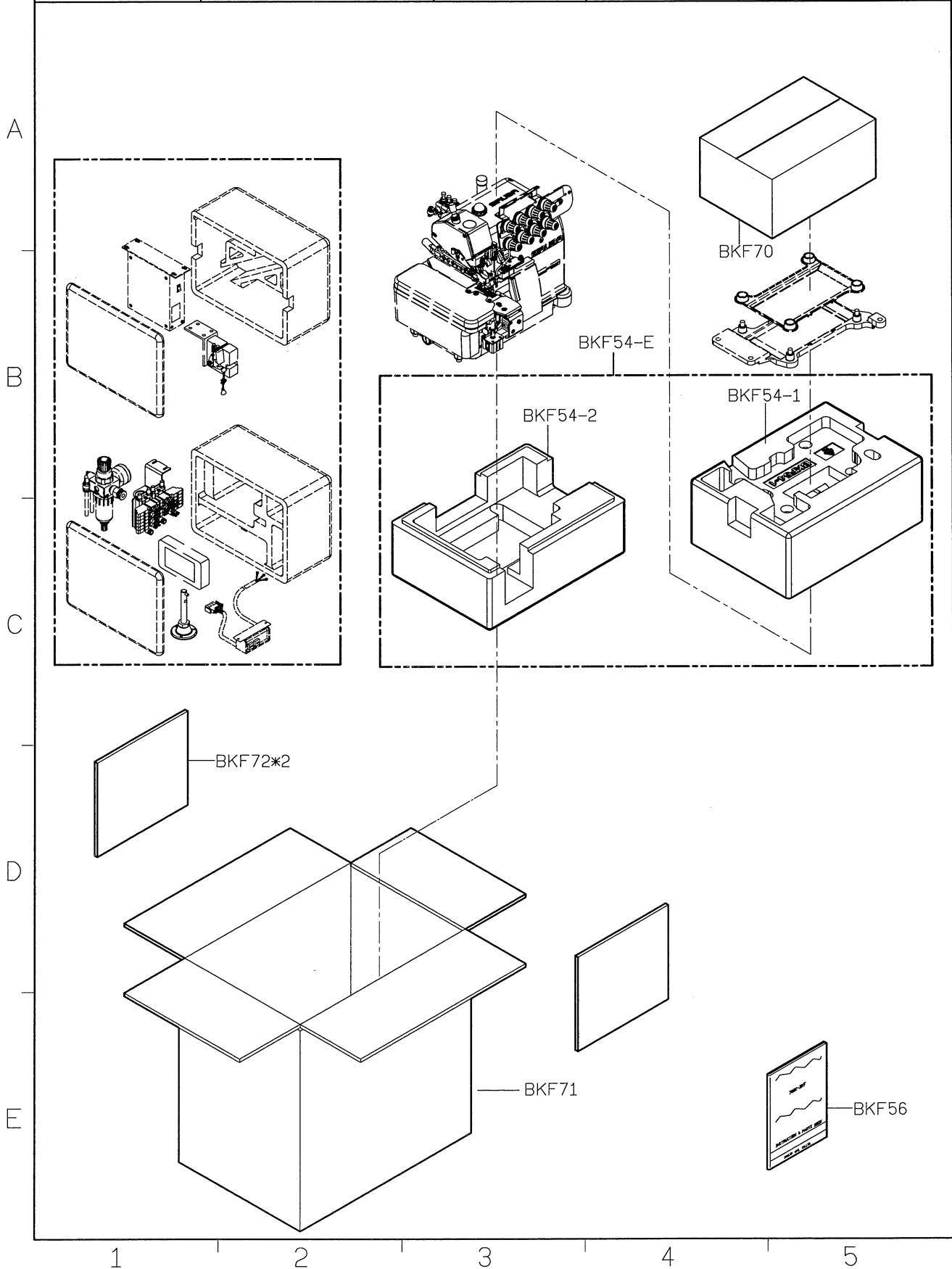
<b>SIRUBA</b> PARTS LIST	Series	Parts Group	Subclass / Remark	Page
	<b>700K</b>	<b>BKF</b>	#For CE	10/11
				Date
				2016/4/12

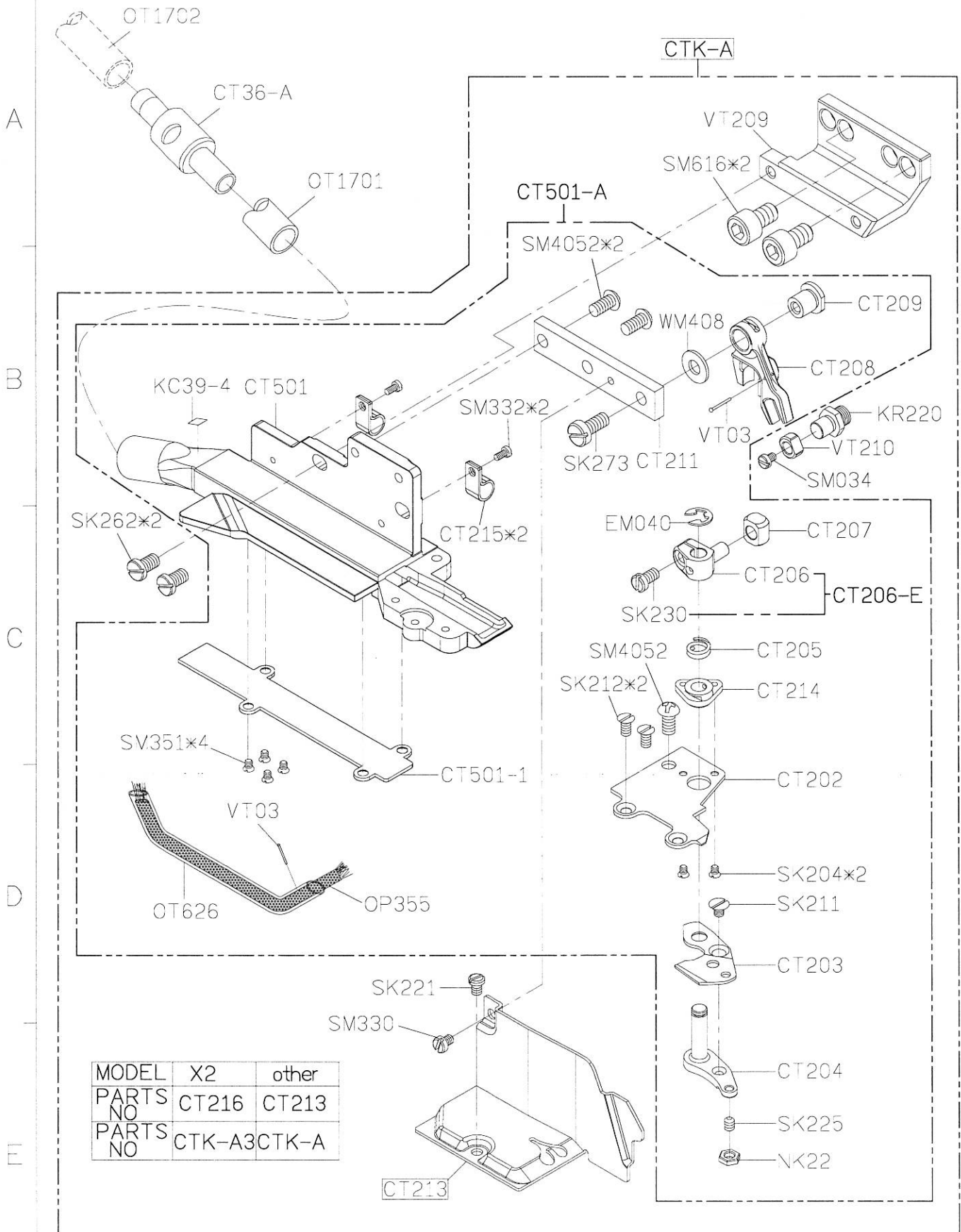
DKH301ADN-A  
#DKH301ADE-A



1                      2                      3                      4                      5

SIRUBA PARTS LIST	Series	Parts Group	Subclass / Remark	Page
	700K	BKF		11/11
				Date
				2015/9/9





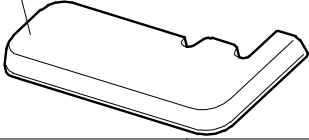
MODEL	X2	other
PARTS NO	CT216	CT213
PARTS NO	CTK-A3	CTK-A



<b>SIRUBA</b> <b>PARTS LIST</b>	<b>Series</b>	<b>Parts Group</b>	<b>Subclass / Remark</b>	<b>Page</b>
	<b>700K/700KD</b>	<b>EC-K</b>	<b>EC-K for Short Knife</b>	<b>1/4</b>
	<b>988/988D</b>		<b>EC-K-A for Long Knife</b>	<b>Date</b>
			<b>#:Use for 700KD/988D</b>	<b>2022/02/10</b>
			<b>●:Use for Long Knife</b>	

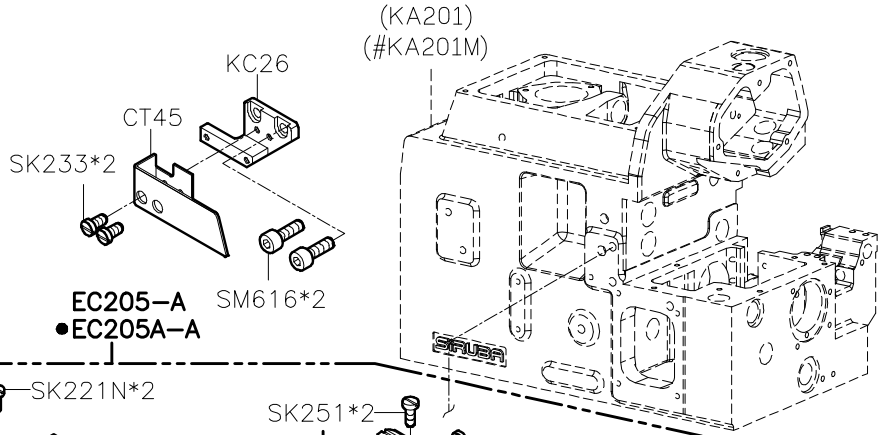
Option : ● Long Knife

●EC208 (For Long Knife)



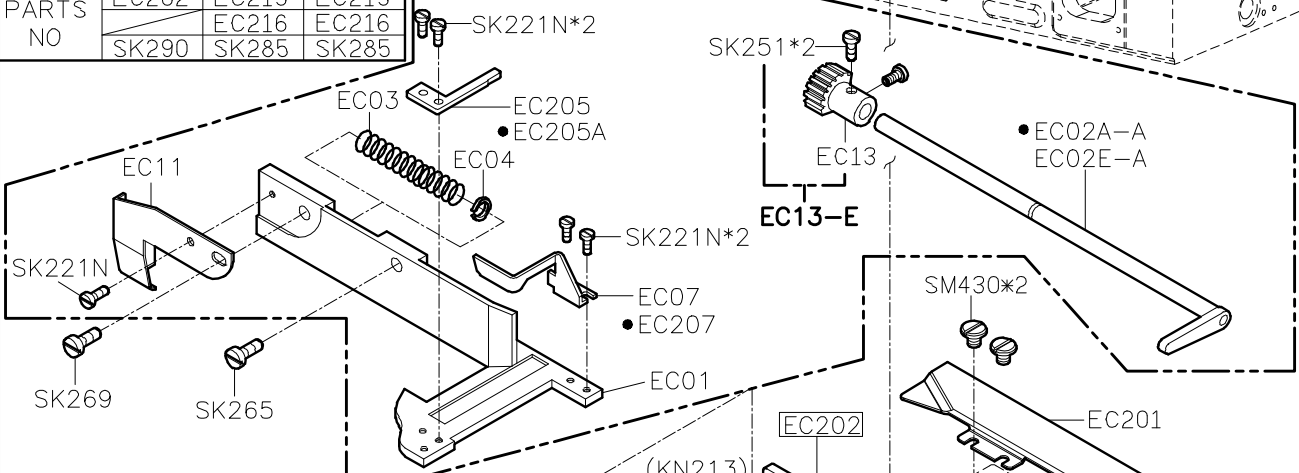
Long knife cut limit	22mm
Short knife cut limit	16mm

MODEL	EC	EC+BK	EC+GA
PARTS NO	EC202	EC215	EC215
	SK290	SK285	SK285

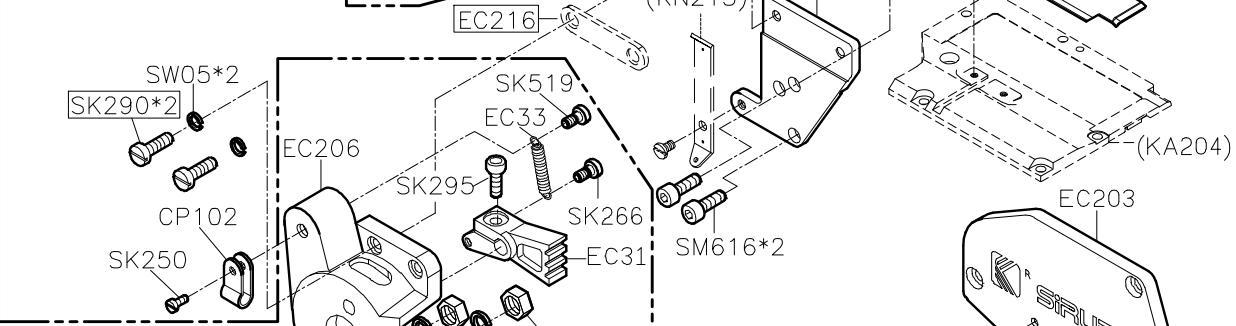


A

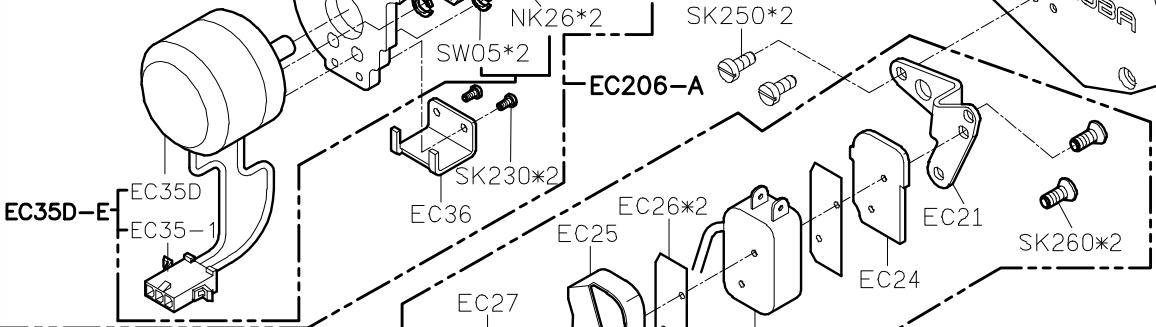
B



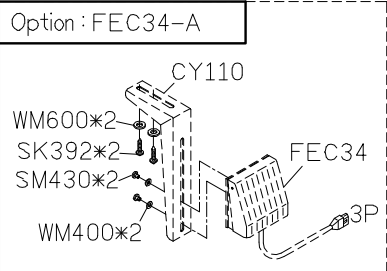
C



D



E





SIRUBA PARTS LIST	Series	Parts Group	Subclass / Remark	Page
	700K/700KD	EC-K		3/4
	988/988D			Date
				2012/11/16

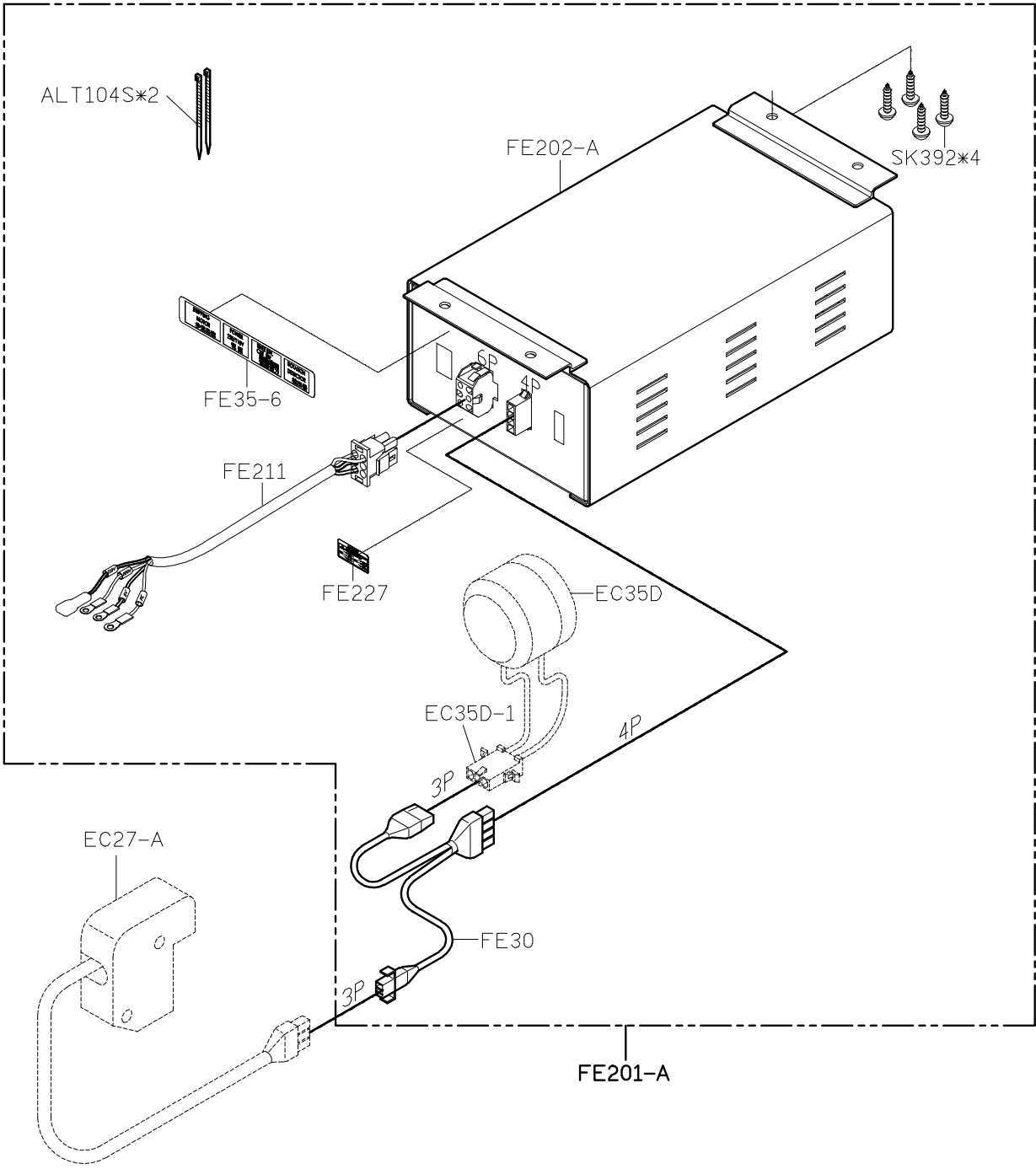
A

B

C

D

E



1

2

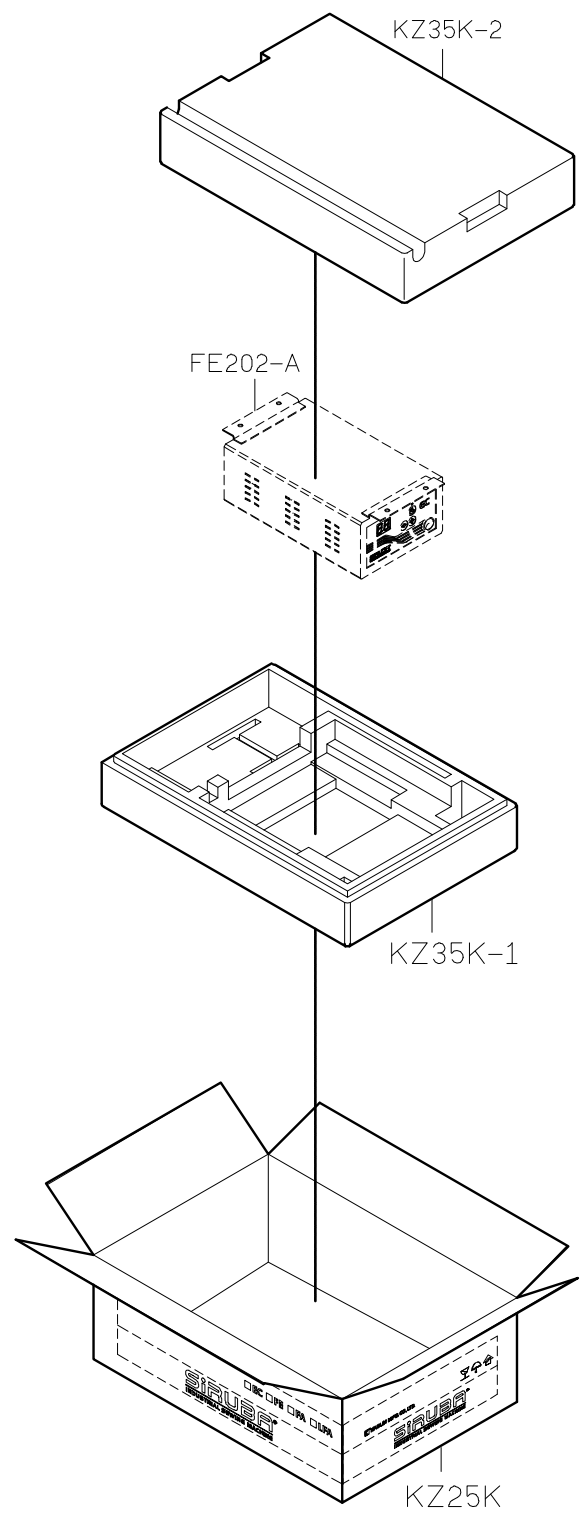
3

4

5

SIRUBA PARTS LIST	Series	Parts Group	Subclass / Remark	Page
	700K/700KD 988/988D	EC-K		4/4
				Date 2012/11/16

A  
B  
C  
D  
E



SIRUBA PARTS LIST	Series	Parts Group	Subclass / Remark	Page
	700K 700L	EC-U		1/3
				Date
				2021/09/07

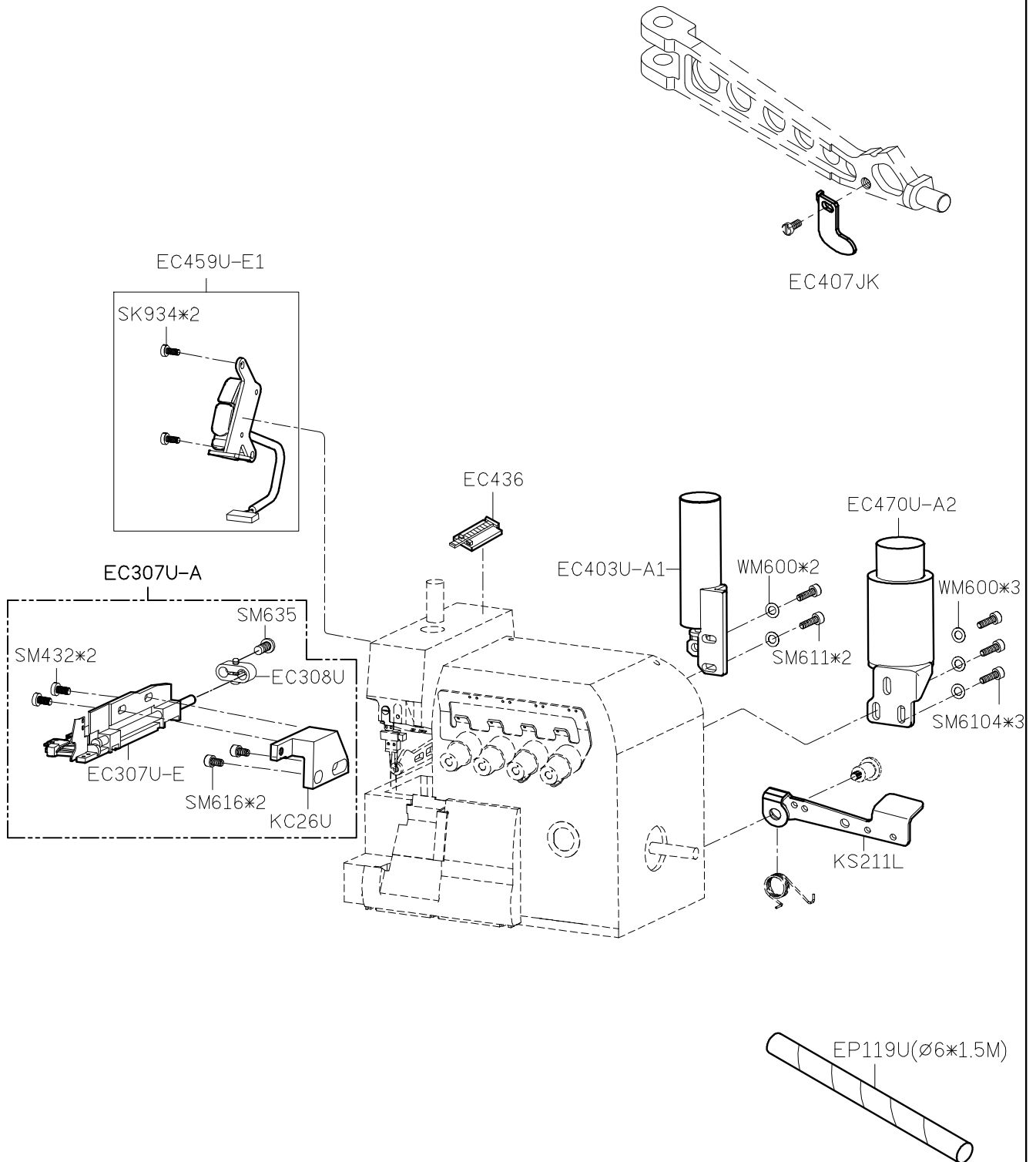
A

B

C

D

E



1

2

3

4

5

**SIRUBA**

PARTS LIST

Series

700K  
700L

Parts Group

EC-U

Subclass / Remark

Page

2/3

Date

2020/07/14

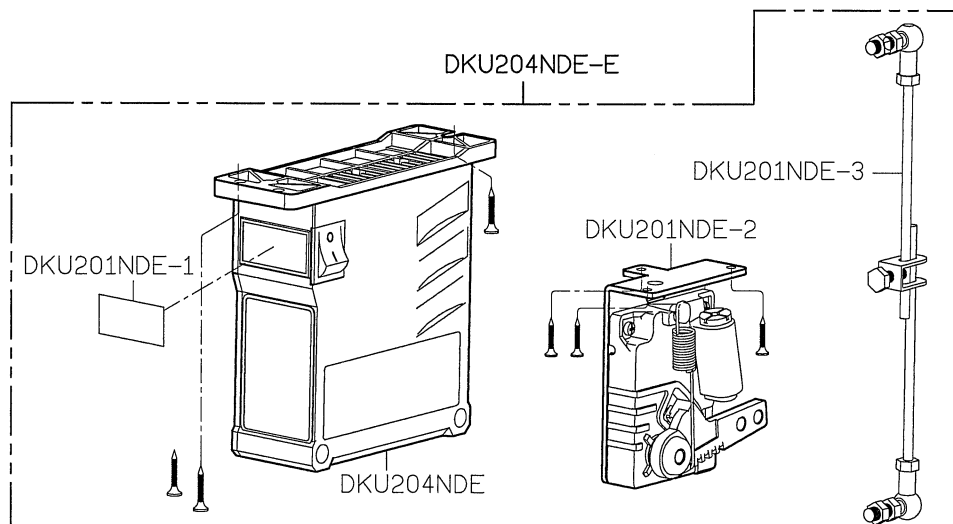
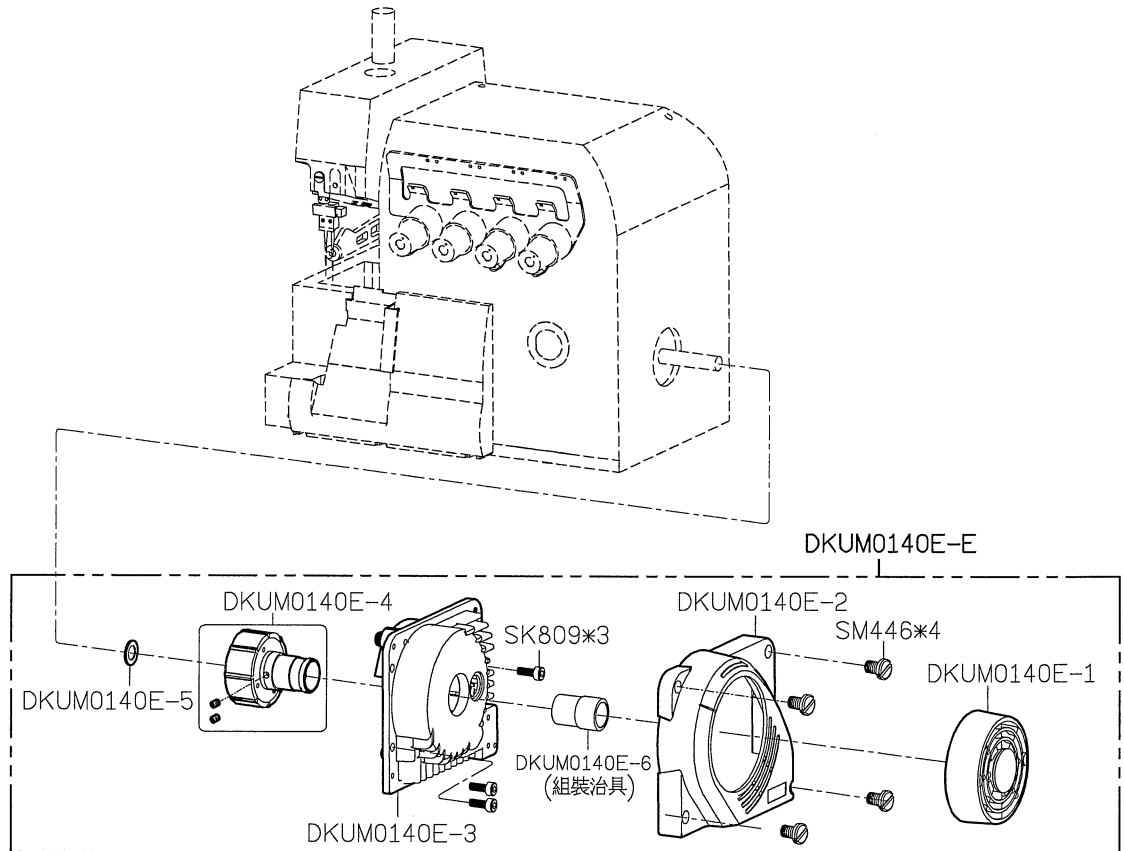
A

B

C

D

E



1

2

3

4

5

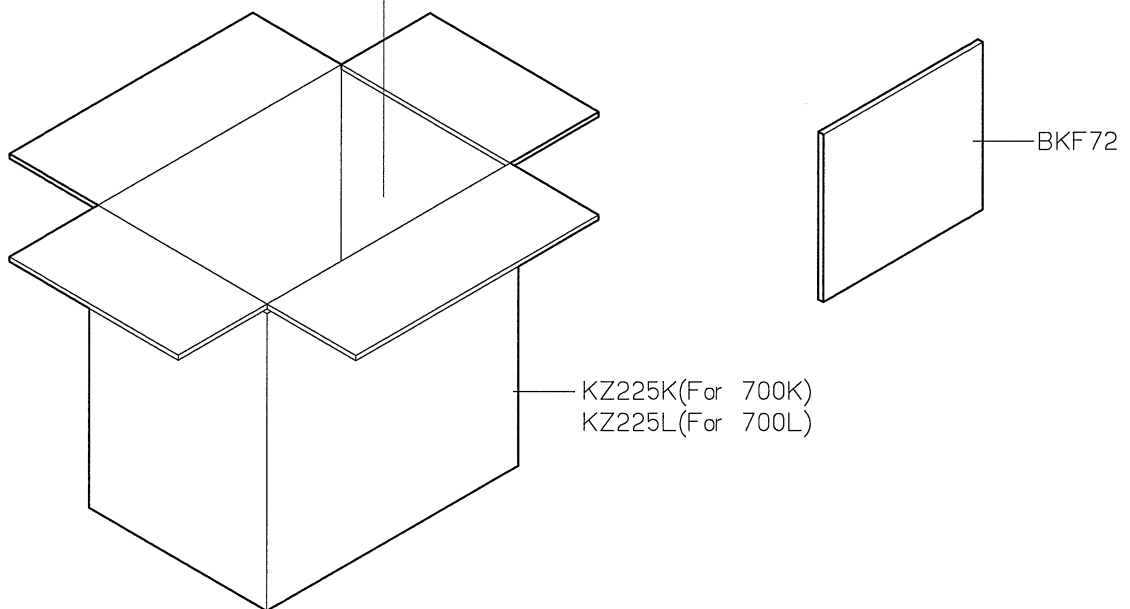
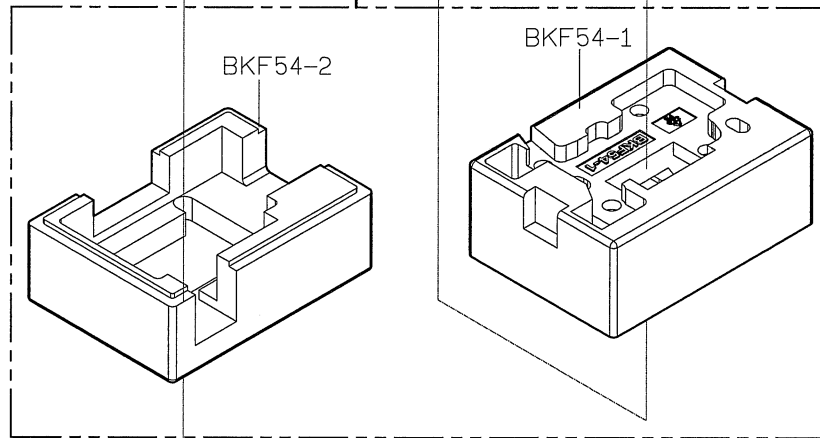
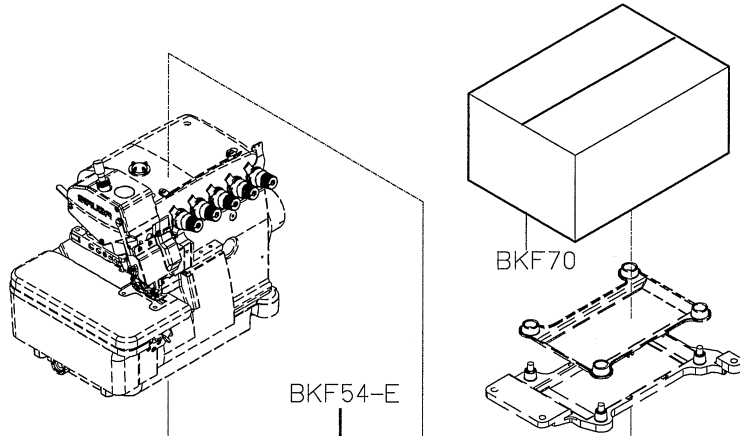
A

B

C

D

E



1

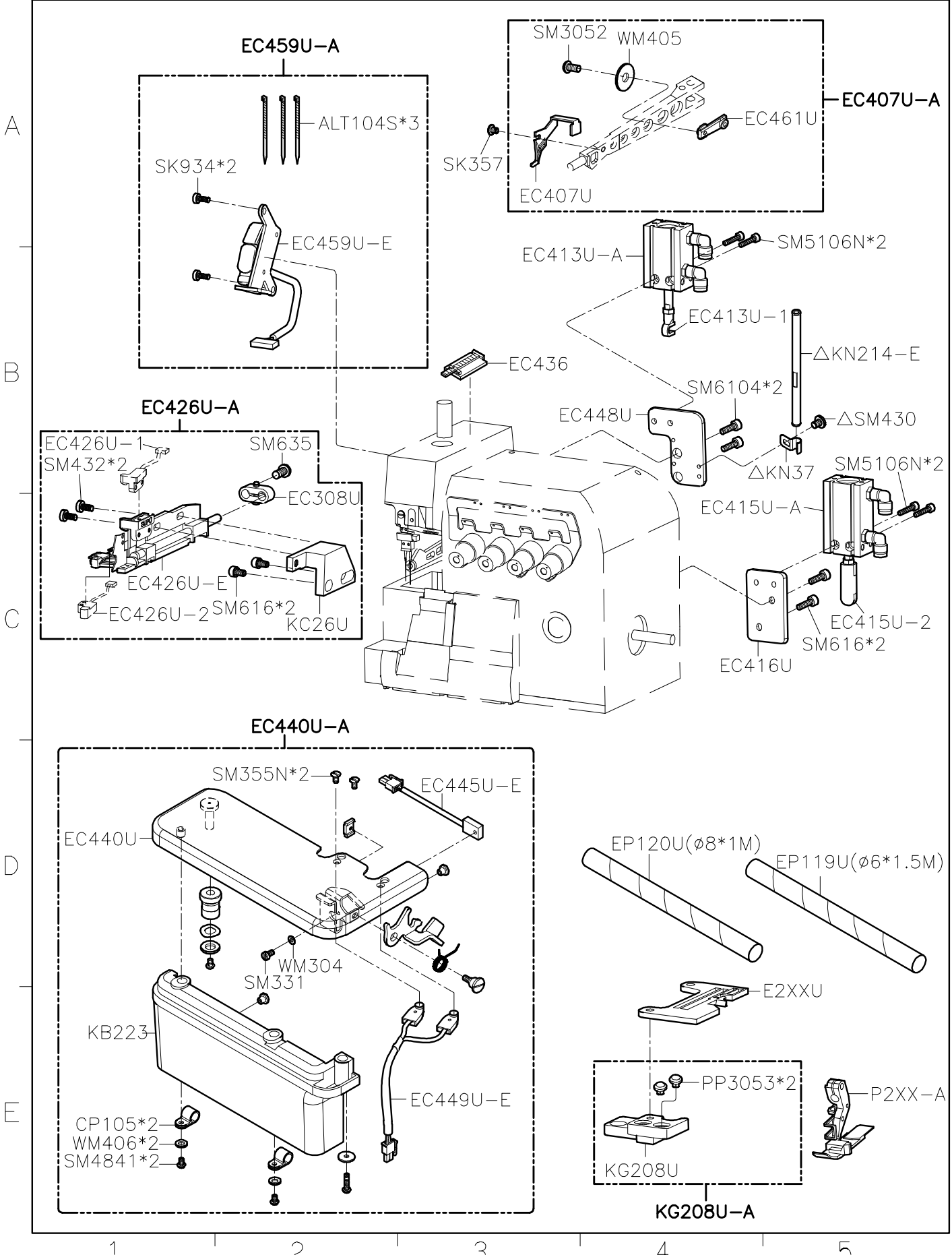
2

3

4

5

SIRUBA PARTS LIST	Series	Parts Group	Subclass / Remark	Page
	700K	ECA-U	△FOR 757/767用	1/4
	700L			Date
				2023/06/30



<b>SIRUBA</b> <b>PARTS LIST</b>	<b>Series</b>	<b>Parts Group</b>	<b>Subclass / Remark</b>	<b>Page</b>
	<b>700K</b>	<b>ECA-U</b>	△FOR 700K用 *FOR 700L用	<b>2/4</b>
	<b>700L</b>			<b>Date</b>
				2022/11/03

面膜	控制箱	使用語系
EC441U-1	DKU101ADE-E1	中文, 英文
EC441U-3	DKU103ADE-E1	英文, 越文

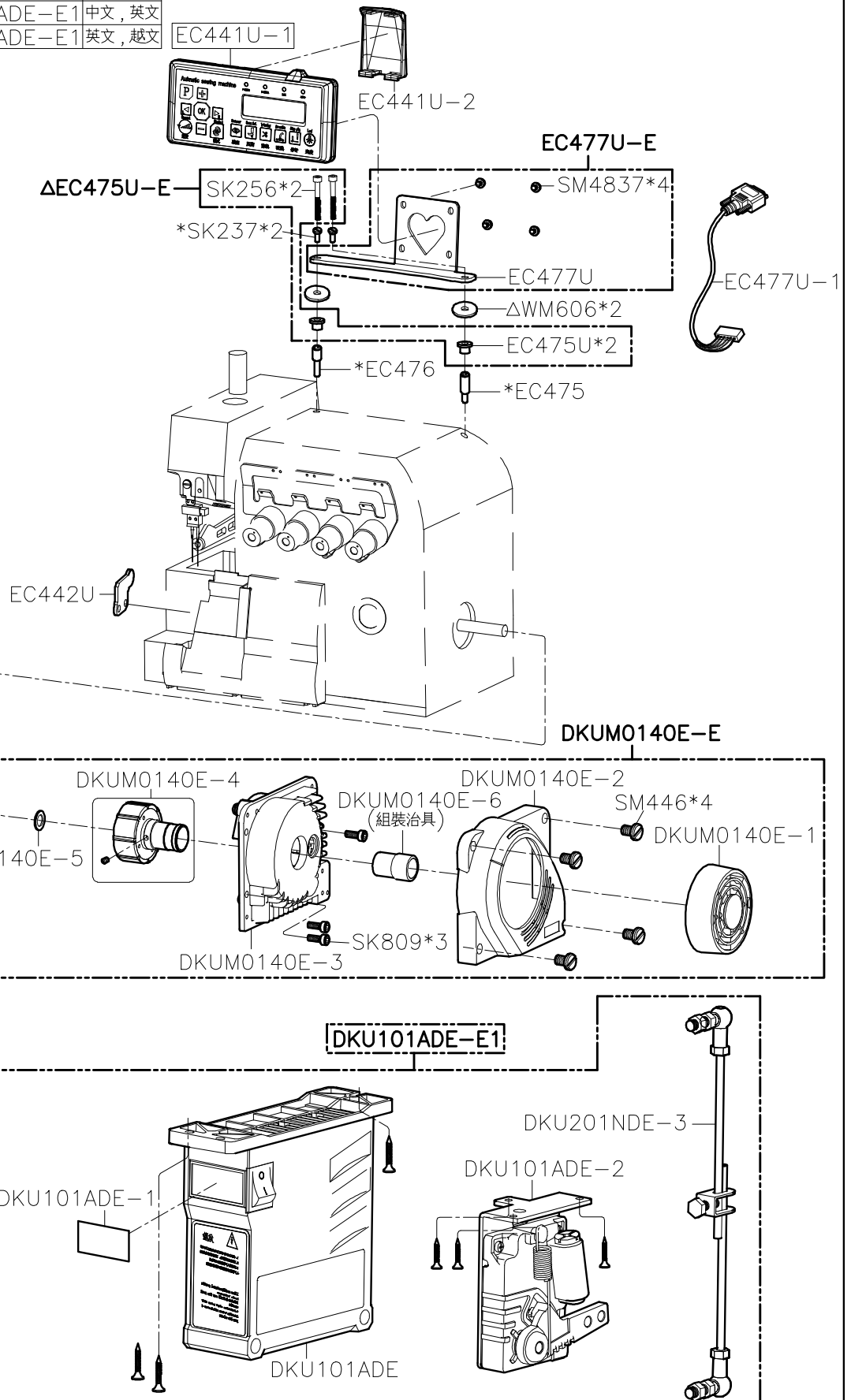
A

B

C

D

E



1

2

3

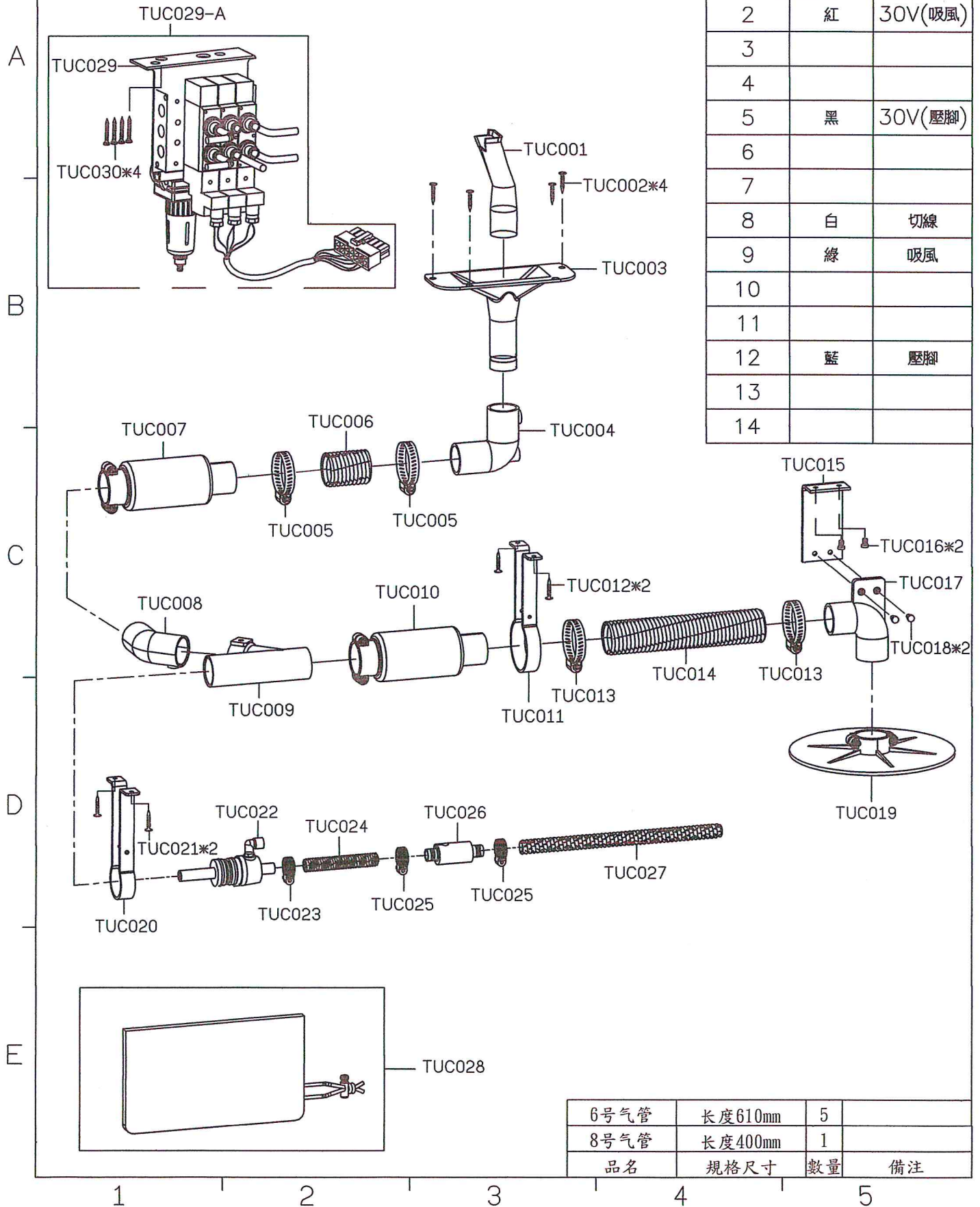
4

5

TUC-01

Housing:H6657R1-14  
PIN:6657TP

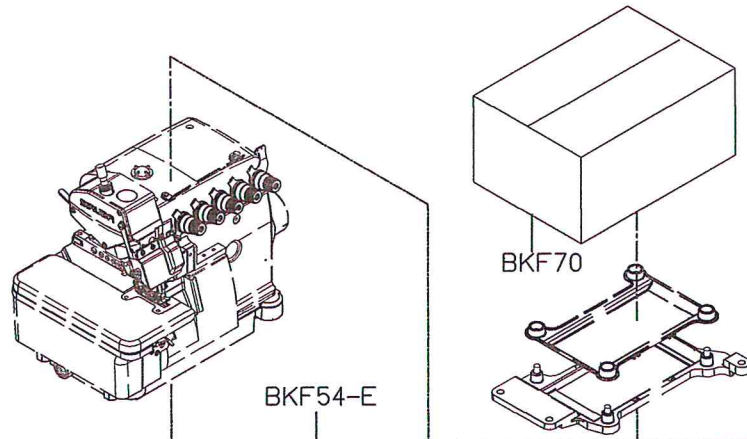
脚序	颜色	备注
1	黄	30V(切线)
2	红	30V(吸风)
3		
4		
5	黑	30V(压脚)
6		
7		
8	白	切线
9	绿	吸风
10		
11		
12	蓝	压脚
13		
14		



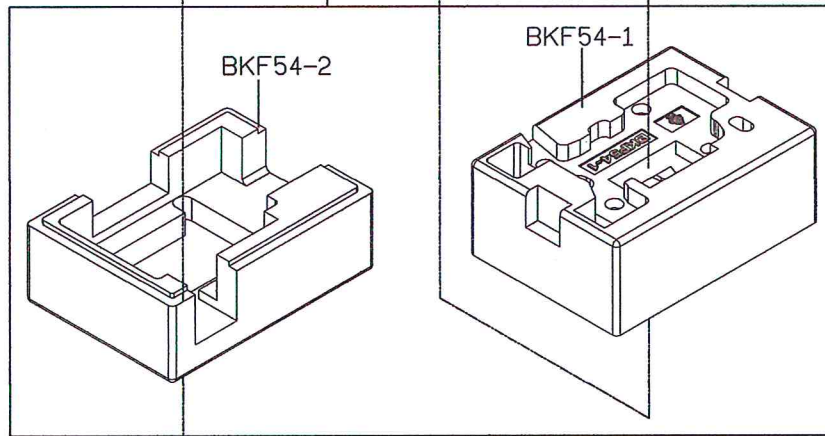
6号气管	长度610mm	5	
8号气管	长度400mm	1	
品名	规格尺寸	数量	备注

SIRUBA PARTS LIST	Series	Parts Group	Subclass / Remark	Page
	700K	ECA-U		4/4
	700L			Date
				2018/09/27

A

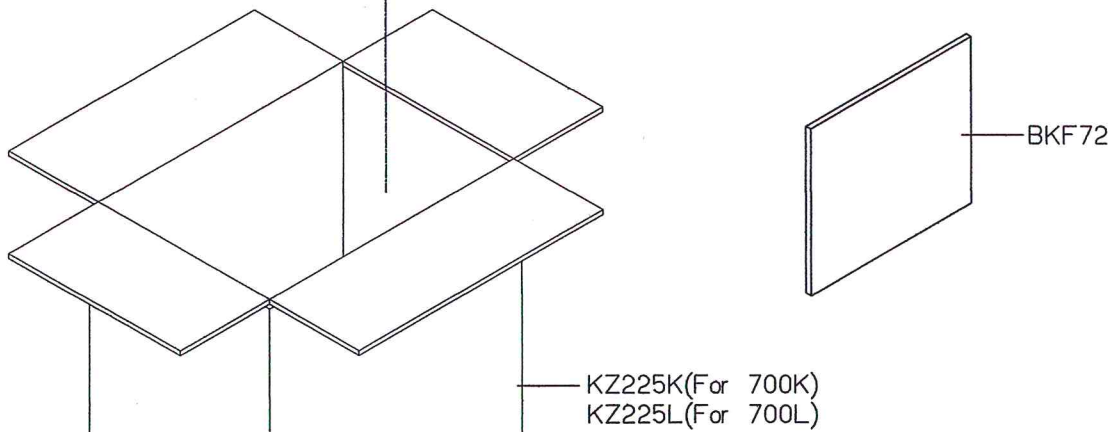


B



C

D



E

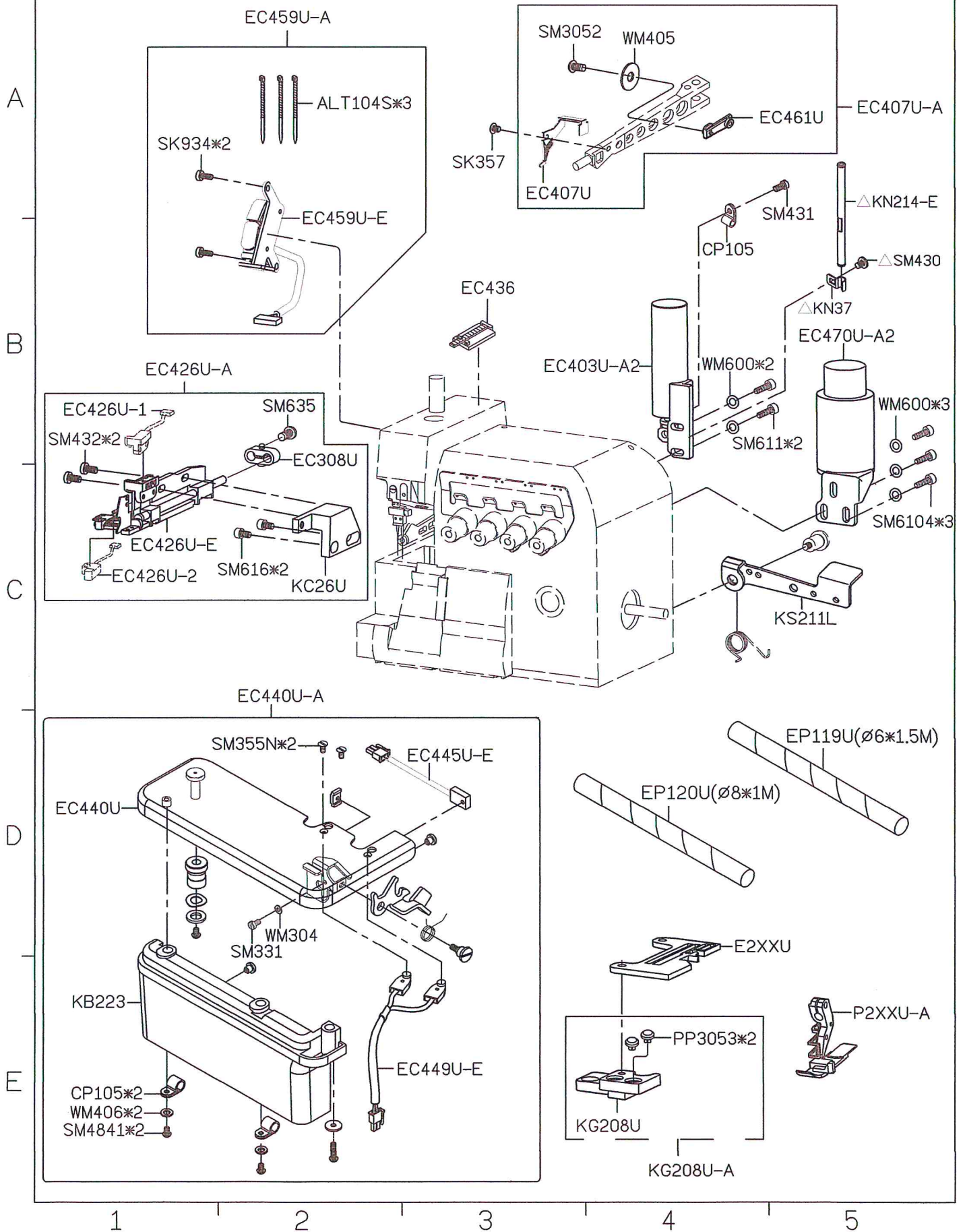
1

2

3

4

5



SIRUBA PARTS LIST	Series	Parts Group	Subclass / Remark	Page
	700K	ECB-U	△FOR 700K用 *FOR 700L用	2/4
	700L			Date
				2022/11/03

面膜	控制箱	使用語系
EC441U-1	DKU101ADE-E1	中文, 英文
EC441U-3	DKU103ADE-E1	英文, 越文

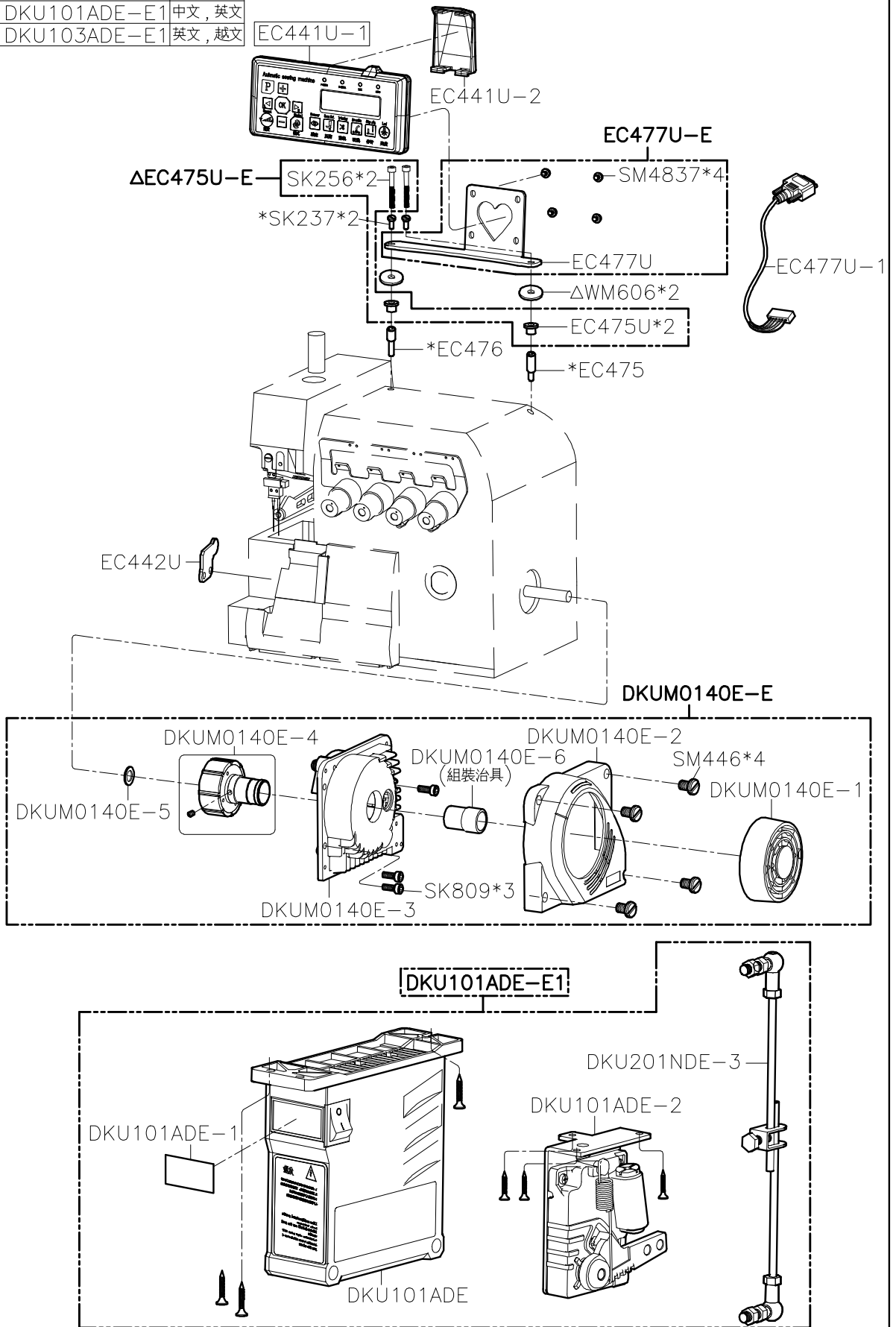
A

B

C

D

E



1

2

3

4

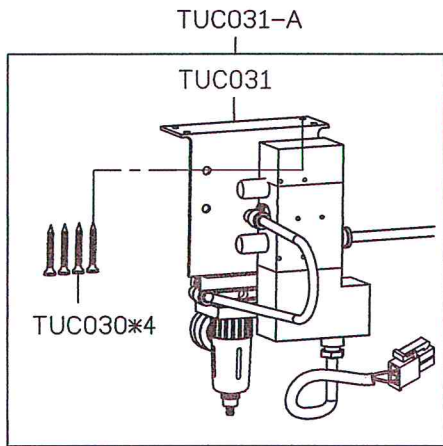
5

TUC-02

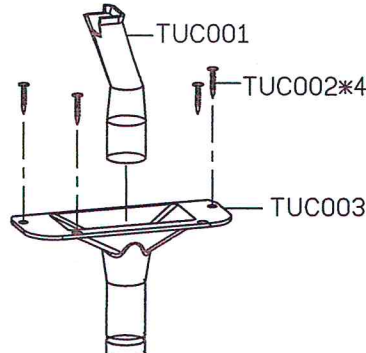
Housing:H6657R1-02  
PIN:6657TP

脚序	颜色	备注
1	白	30V(吸风)
2	黑	(吸风)

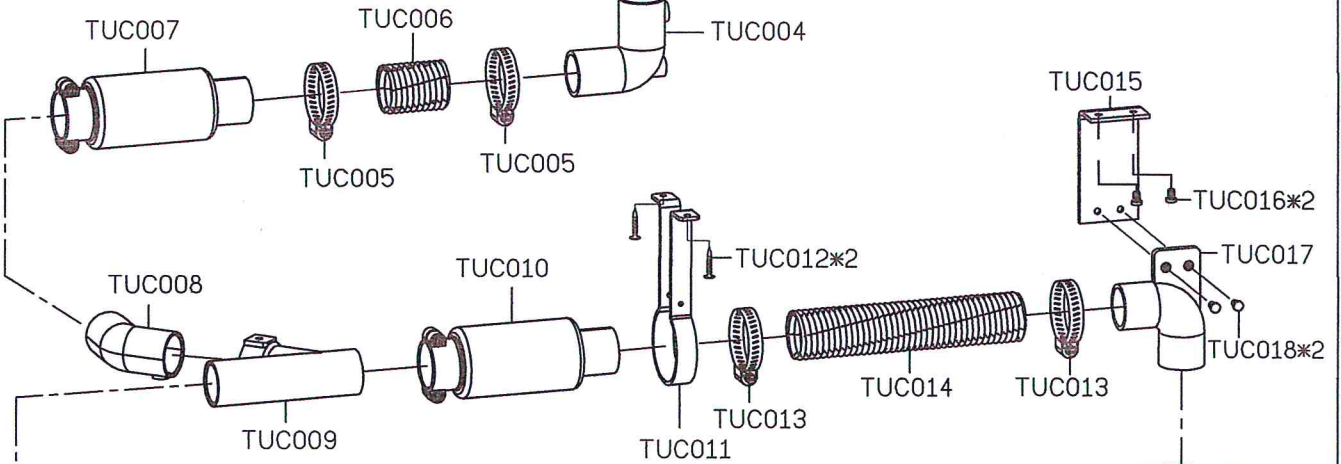
A



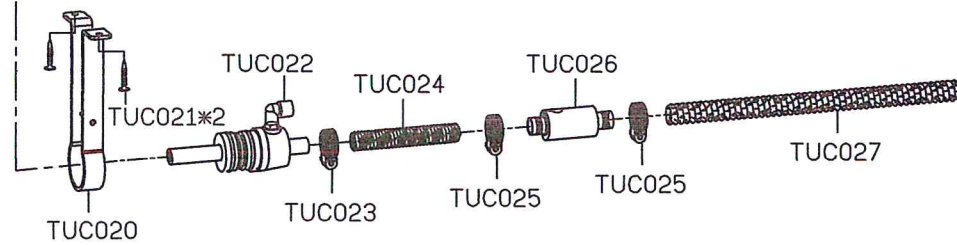
B



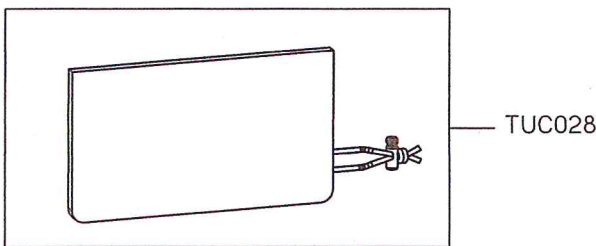
C



D



E



6号气管	长度610mm	1	
8号气管	长度220mm	1	
品名	规格尺寸	数量	备注

1

2

3

4

5

SIRUBA PARTS LIST	Series	Parts Group	Subclass / Remark	Page
	700K	ECB-U		4/4
	700L			Date
				2018/09/27

A

B

C

D

E

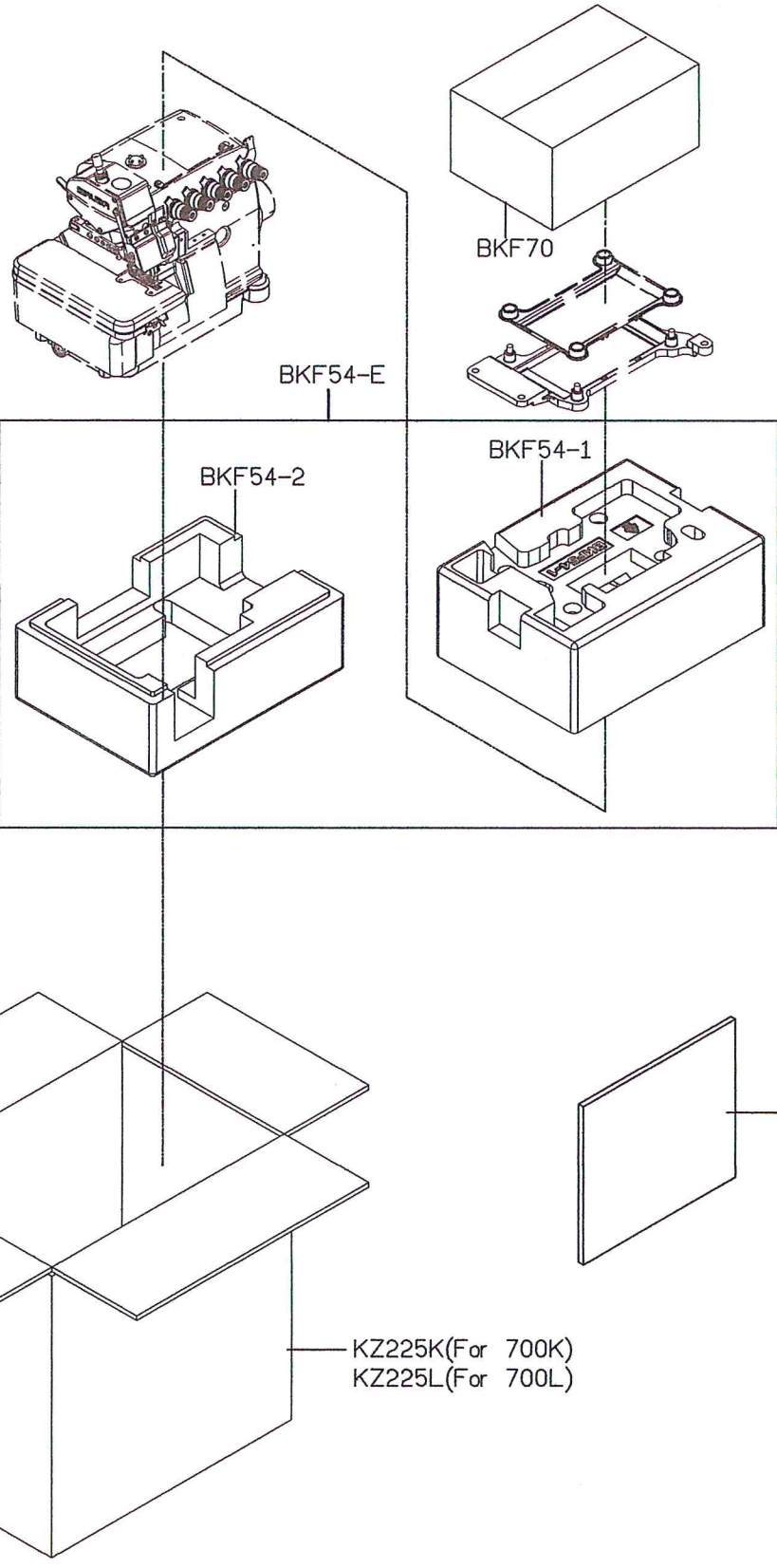
1

2

3

4

5



BKF70

BKF54-E

BKF54-2

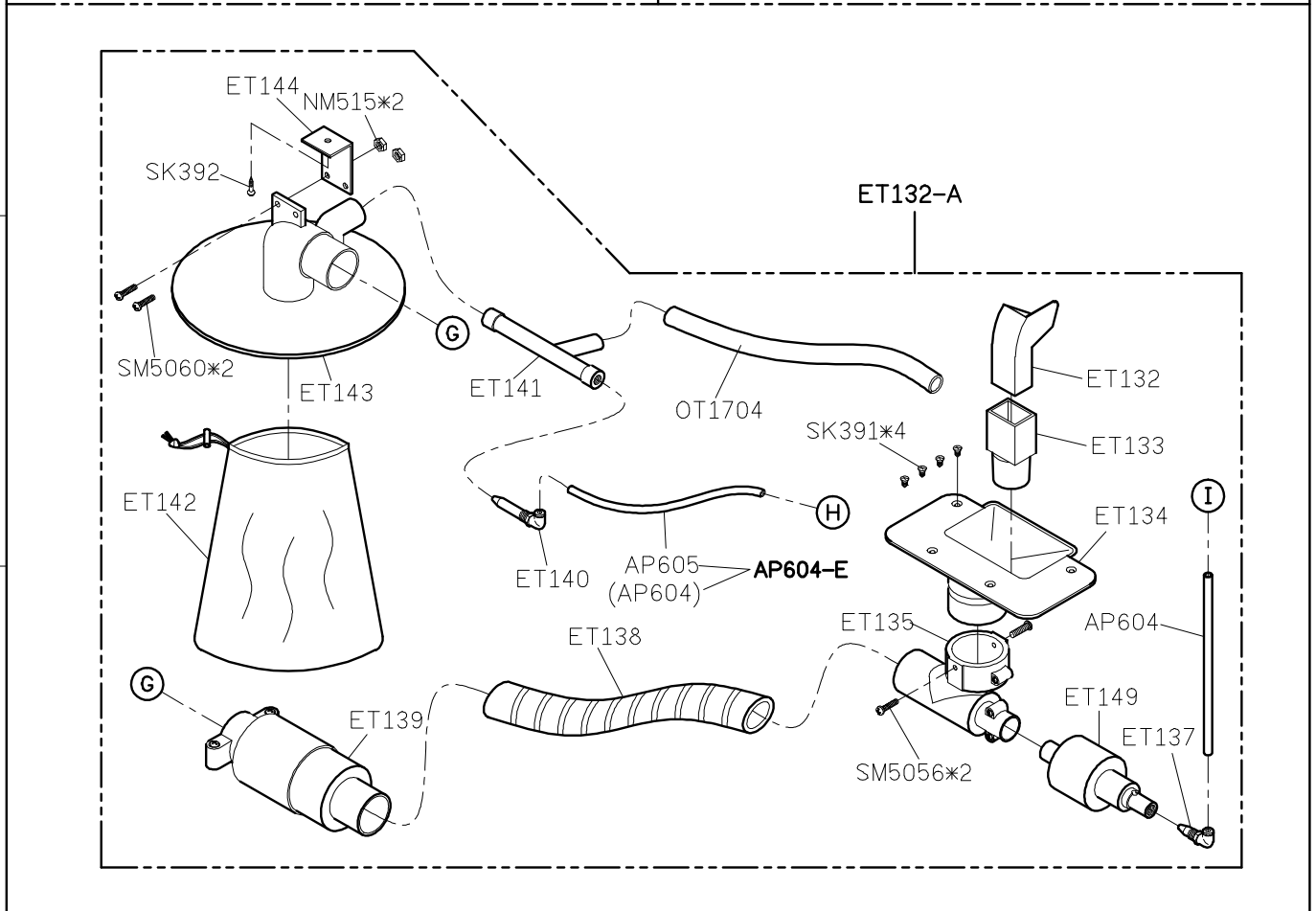
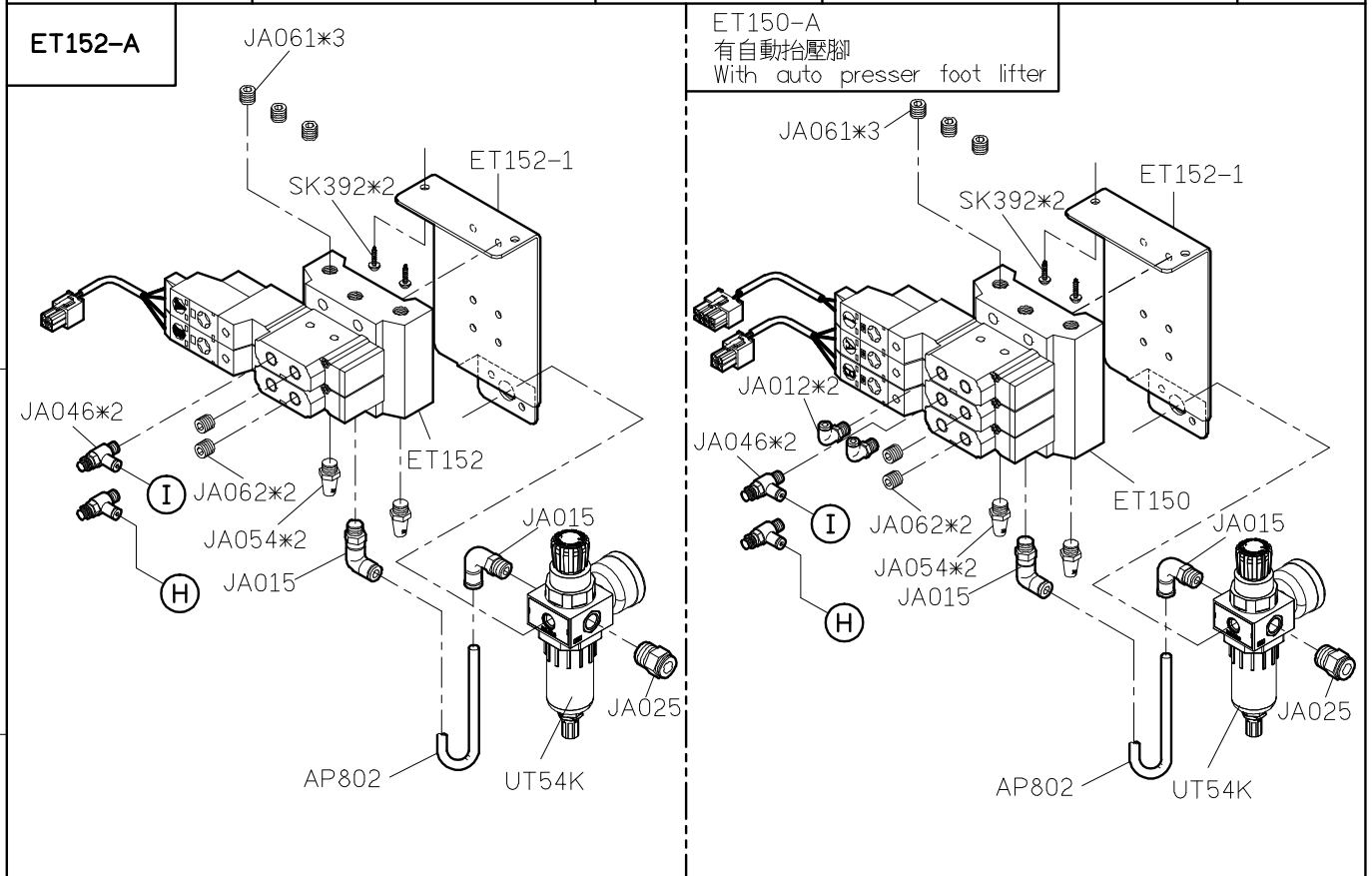
BKF54-1

BKF72

KZ225K(For 700K)  
KZ225L(For 700L)

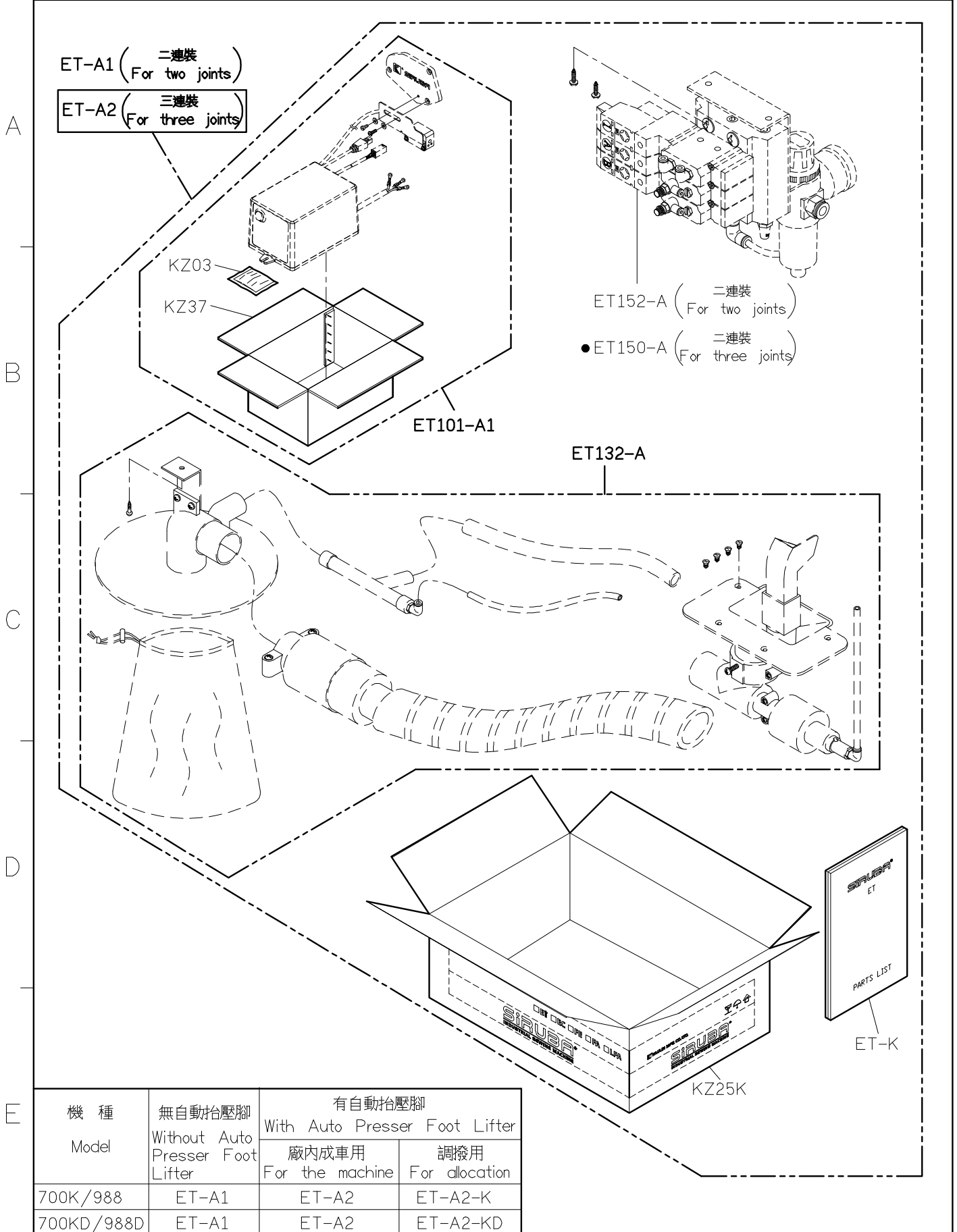


SIRUBA PARTS LIST	Series	Parts Group	Subclass / Remark	Page
	700K/700KD	ET-K		2/3
	988/988D			Date
				2020/04/27



1                      2                      3                      4                      5

<b>SIRUBA</b> <b>PARTS LIST</b>	<b>Series</b>	<b>Parts Group</b>	<b>Subclass / Remark</b>	<b>Page</b>
	700K/700KD 988/988D	<b>ET-K</b>		3/3
			<b>Date</b>	
			2020/04/27	



機種 Model	無自動拾壓腳 Without Auto Presser Foot Lifter	有自動拾壓腳 With Auto Presser Foot Lifter	
		廠內成車用 For the machine	調撥用 For allocation
700K/988	ET-A1	ET-A2	ET-A2-K
700KD/988D	ET-A1	ET-A2	ET-A2-KD

1

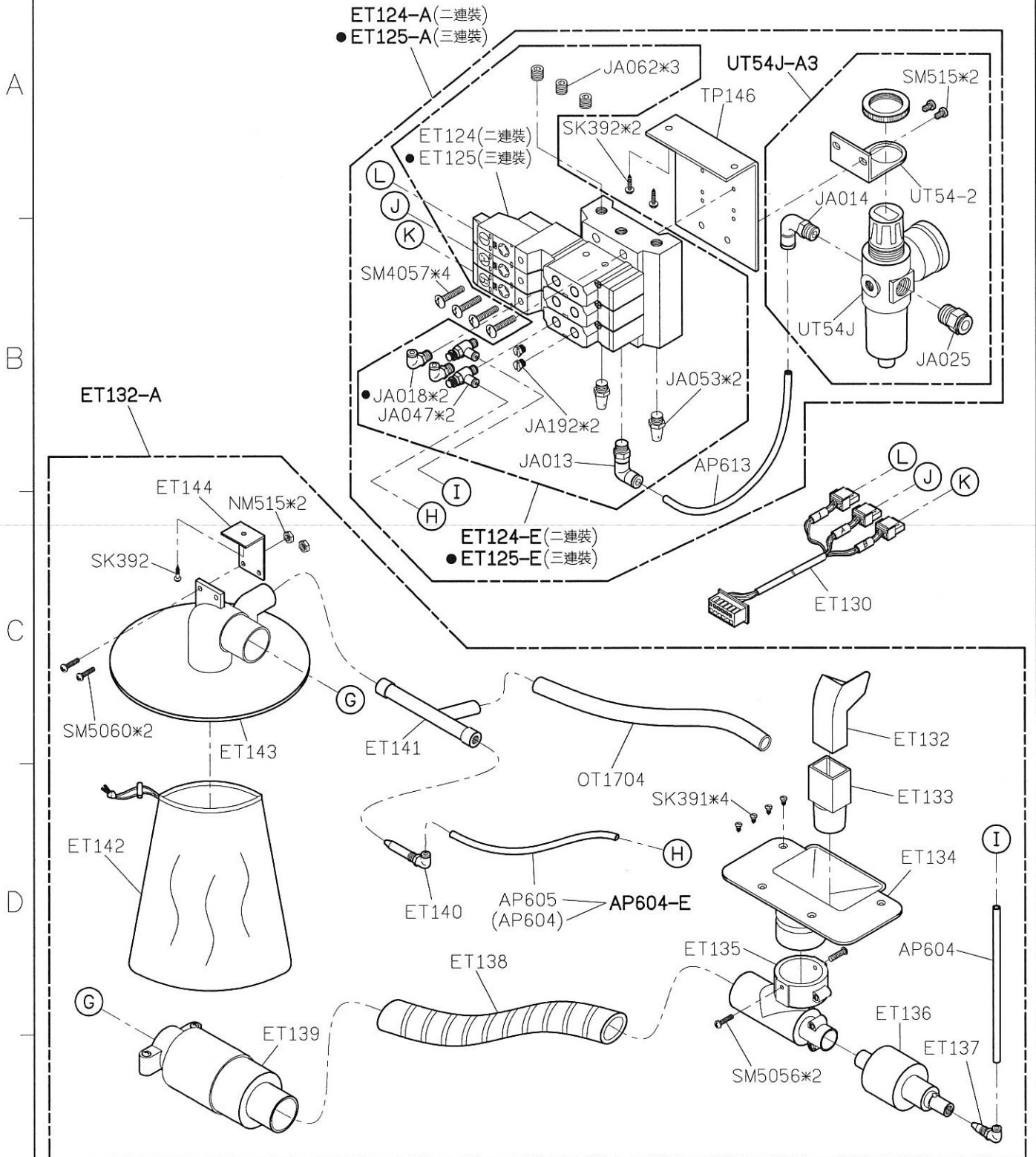
2

3

4

5

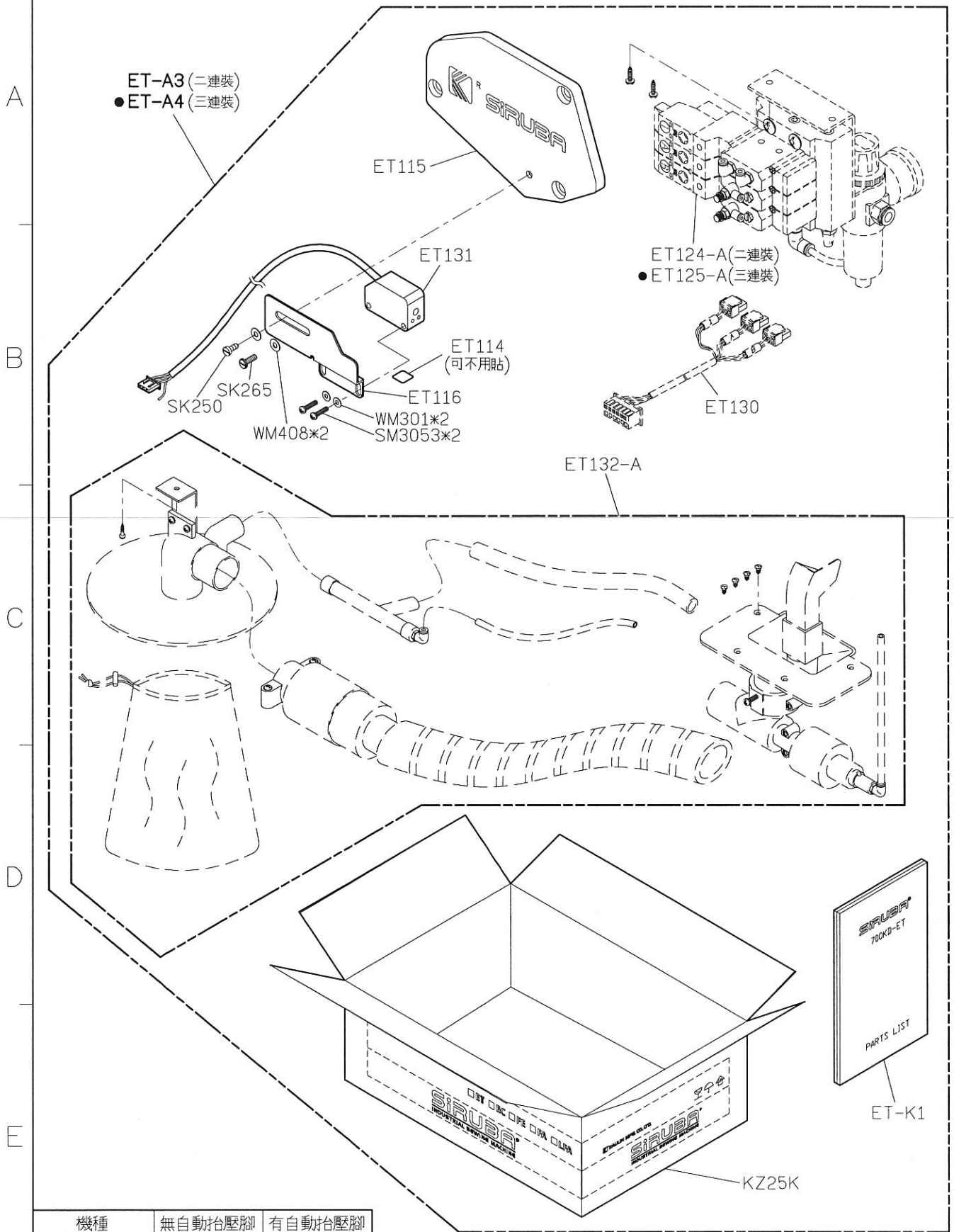
# PARTS LIST FOR ET-K1 GROUP 1/2



無自動抬壓腳	有自動抬壓腳
ET124	●ET125
	●JA018*2

1 2 3 4 5  
 FOR 700KD/988D ISM system  
 \*二連裝時ET130不需接 (L)

# PARTS LIST FOR ET-K1 GROUP 2/2



機種	無自動抬壓脚	有自動抬壓脚
700KD/988D	ET-A3	● ET-A4

1  
FOR 700KD/988D ISM system

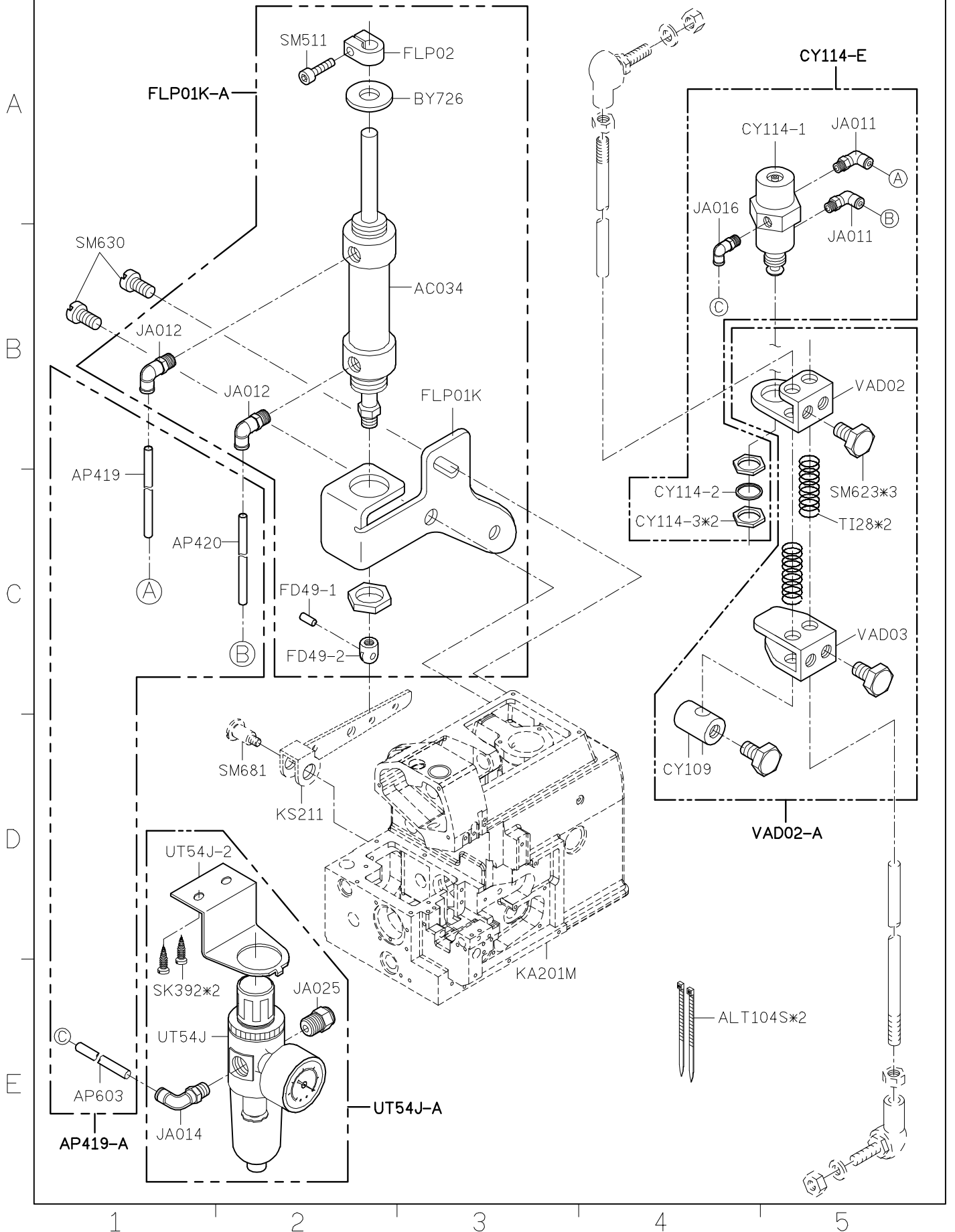
2

3

4

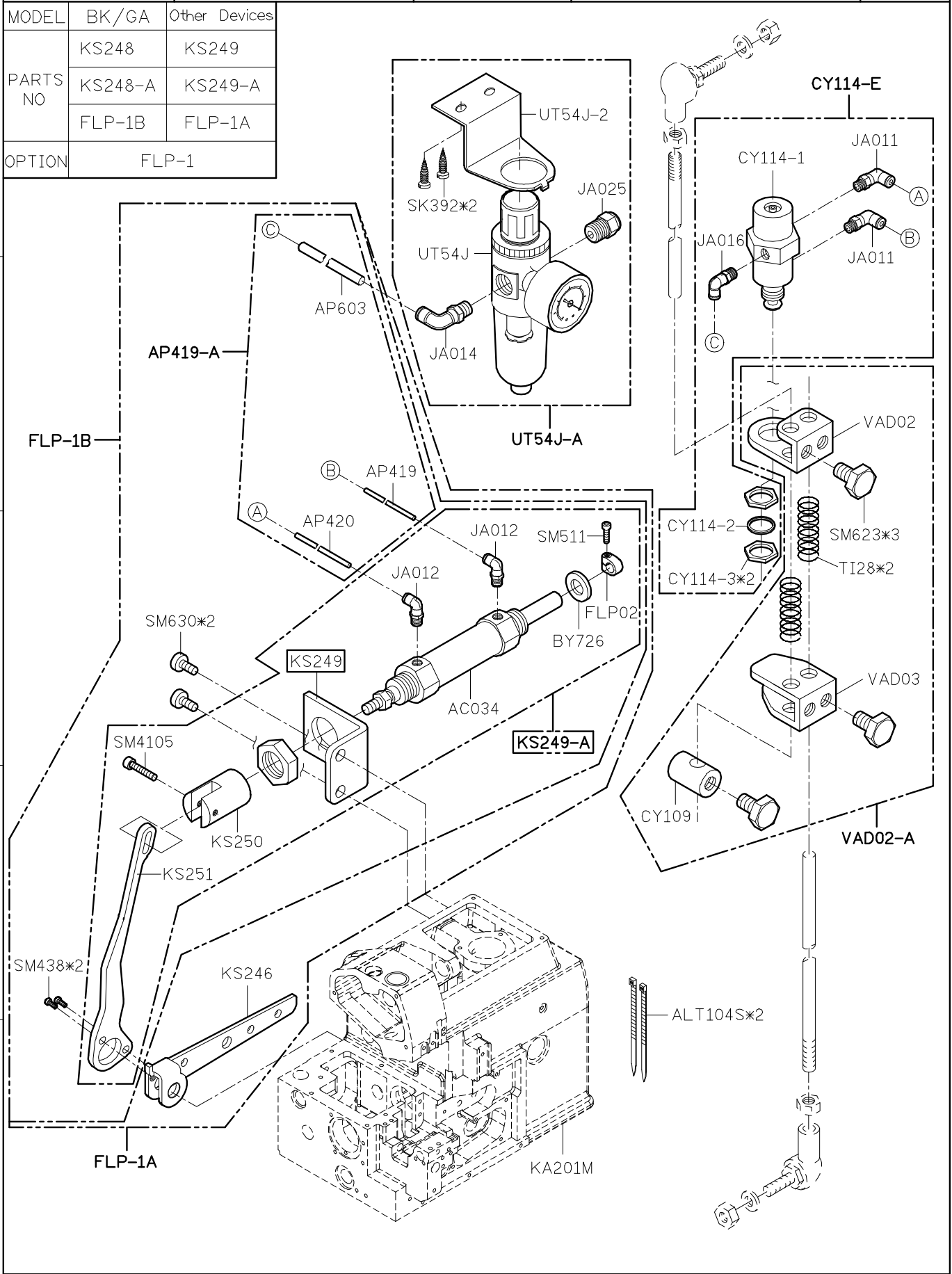
5

2010/07/12



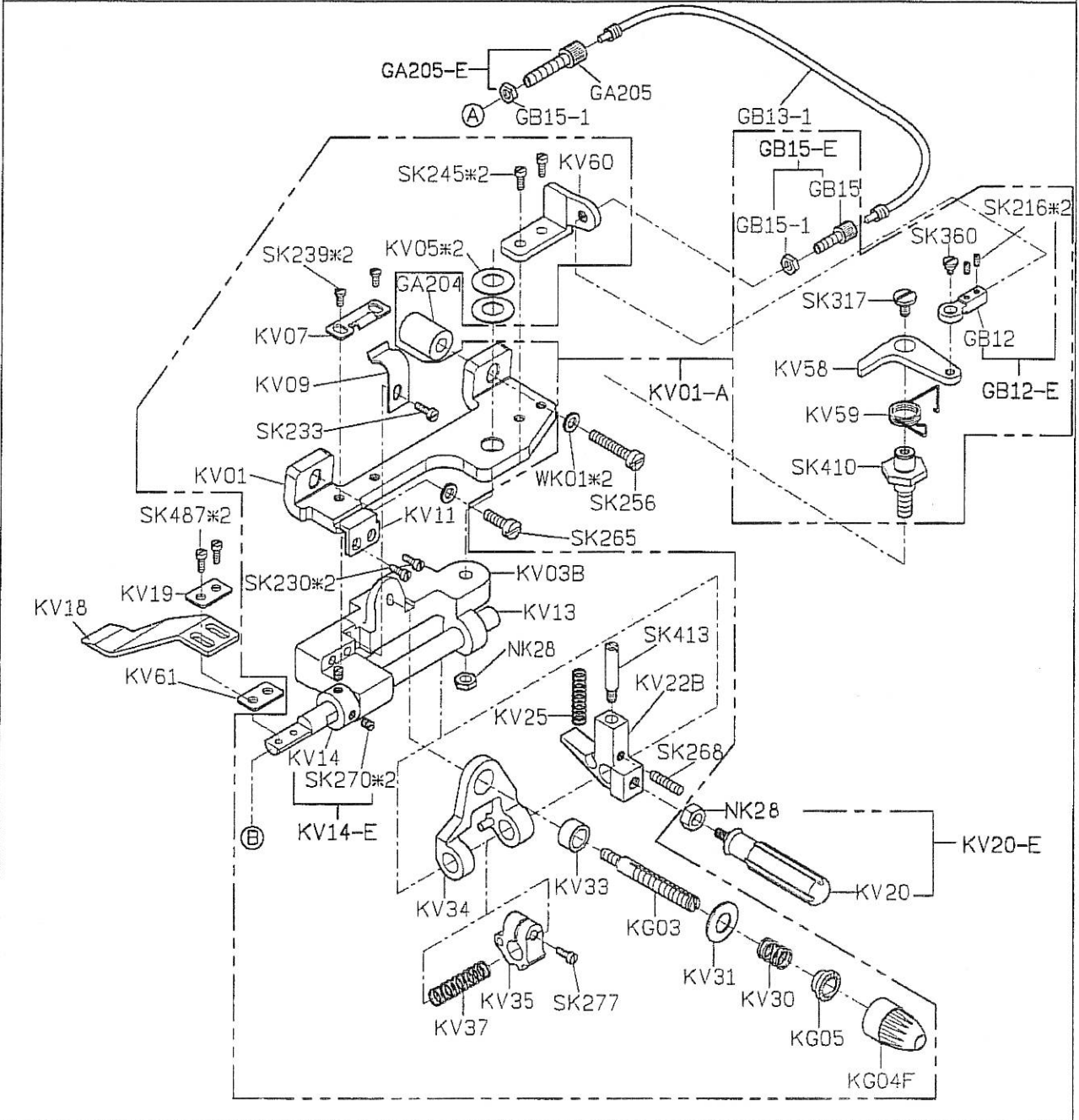
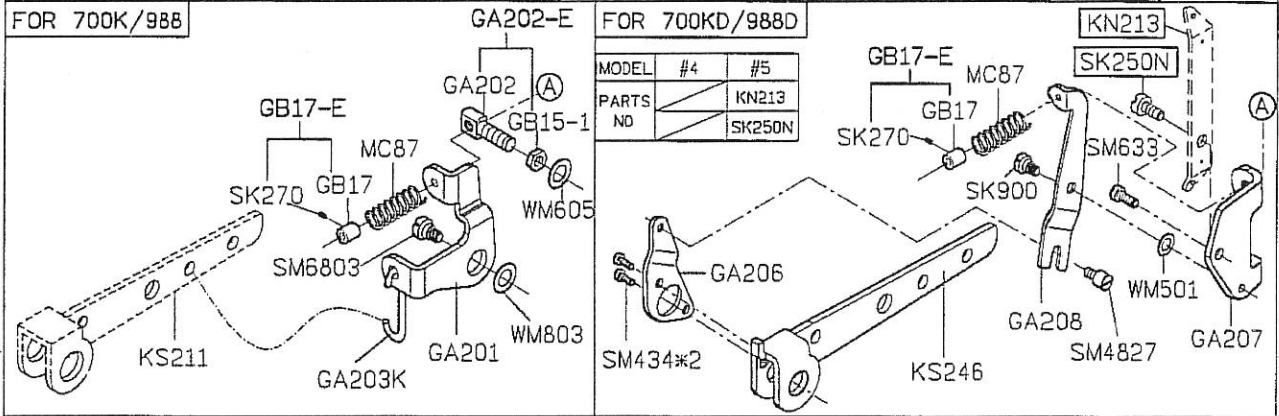
<b>SIRUBA</b> <b>PARTS LIST</b>	<b>Series</b>		<b>Parts Group</b>	<b>Subclass Remark</b>	<b>Page</b>
	700K/700KD 988/988D		<b>FLP-1</b>	Use for 700KD/988D only	1/1
					<b>Date</b>
					2012/12/18

MODEL	BK/GA	Other Devices
	KS248	KS249
PARTS NO	KS248-A	KS249-A
	FLP-1B	FLP-1A
OPTION	FLP-1	





<b>SIRUBA</b> PARTS LIST	Series	Parts Group	Subclass/Remark	Page
	700K/700KD 988/988D	<b>GA-L</b>		1/1
			Date	
			2012/08/18	



1 2 3 4 5

SIRUBA PARTS LIST	Series	Parts Group	Subclass / Remark	Page
	700K/700KD 988/988D	GAL-K		1/1
				Date
				2013/03/18

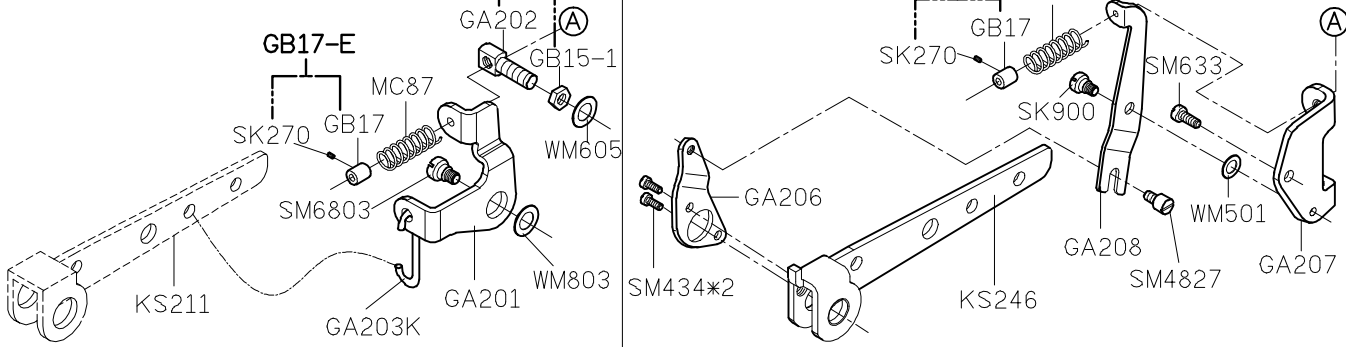
FOR 700K/988

GA202-E

FOR 700KD/988D

GB17-E

A

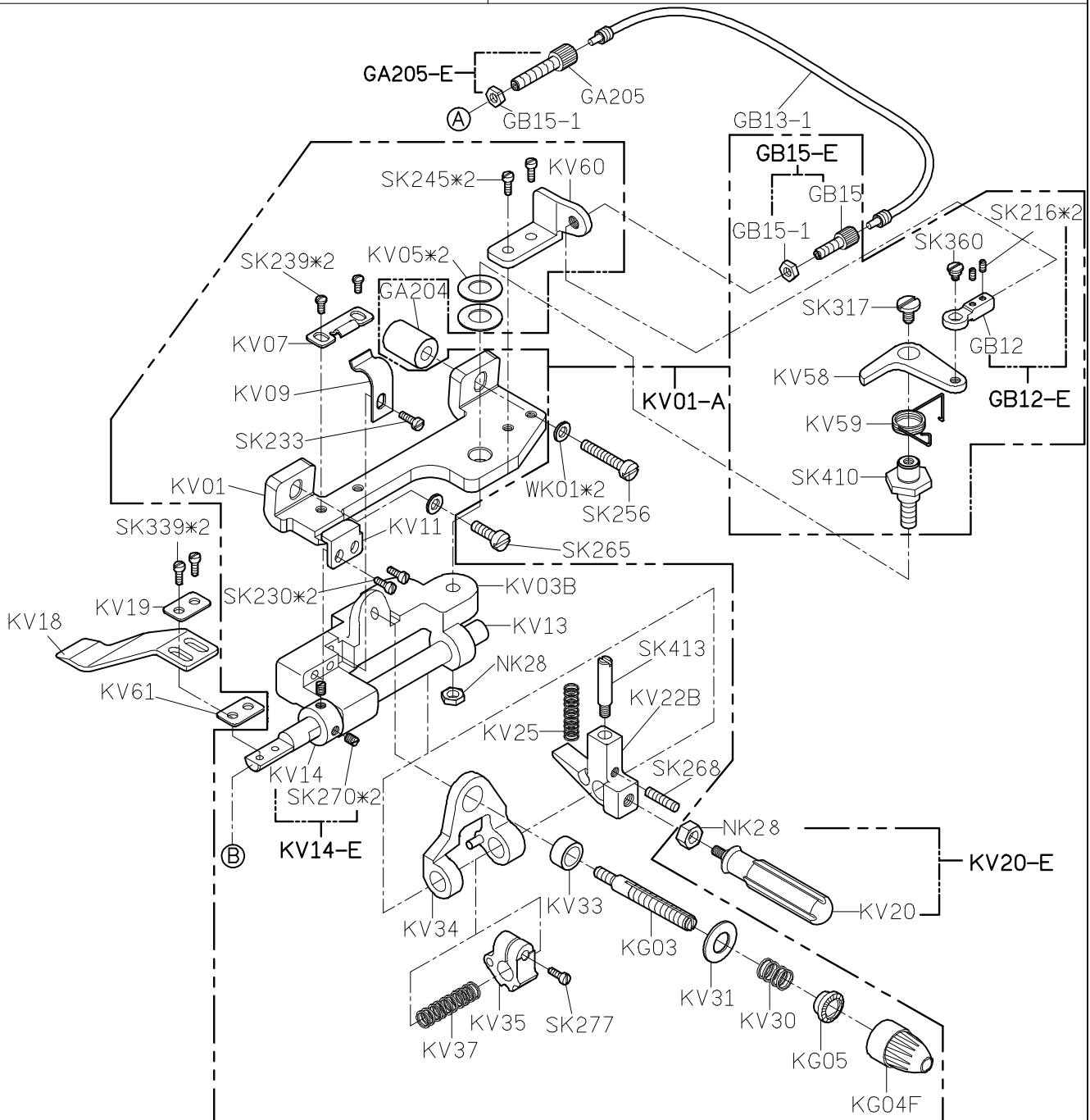


B

C

D

E



1

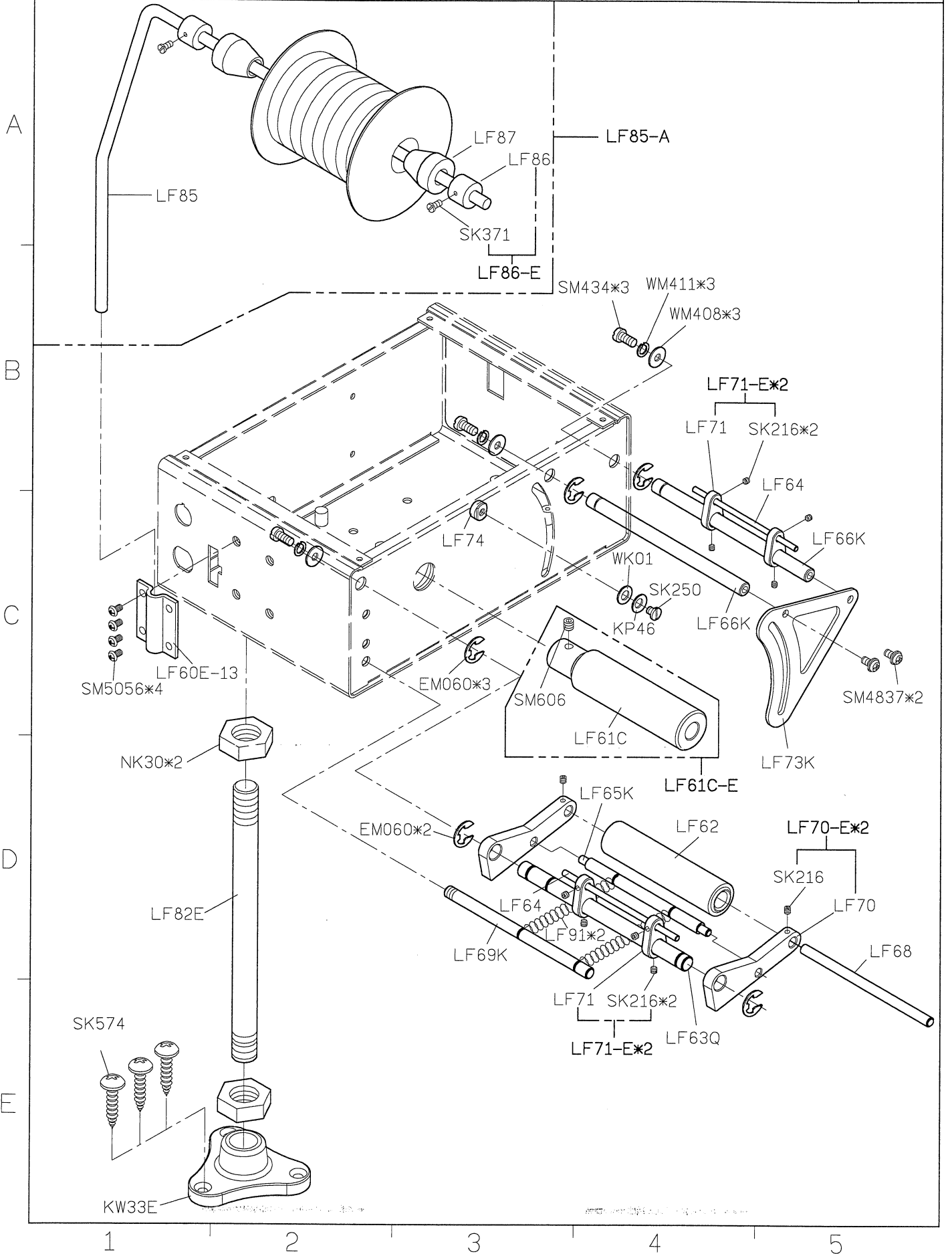
2

3

4

5

SIRUBA PARTS LIST	Series	Parts Group	Subclass / Remark	Page
	700K/700KD	LFA		1/3
	988/988D			Date
				2018/03/22



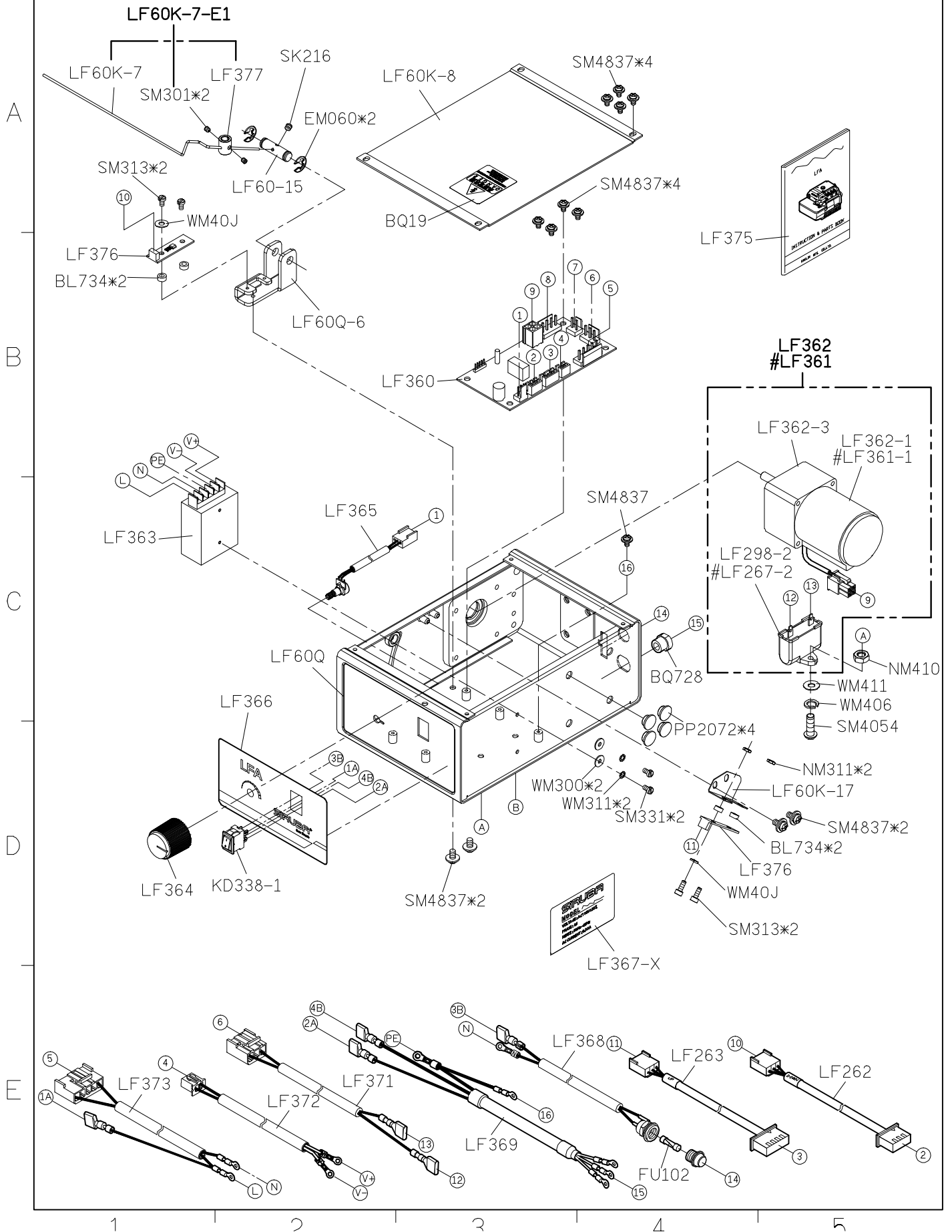
**SIRUBA**  
**PARTS LIST**

**Series**  
**700K/700KD**  
**988/988D**

**Parts Group**  
**LFA**

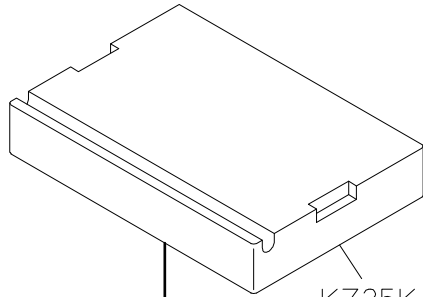
**Subclass / Remark**  
**# : Use for 110V**

**Page**  
**2/3**  
**Date**  
**2013/07/01**



SIRUBA PARTS LIST	Series	Parts Group	Subclass / Remark	Page
	700K/700KD	LFA		3/3
	988/988D			Date
				2013/03/25

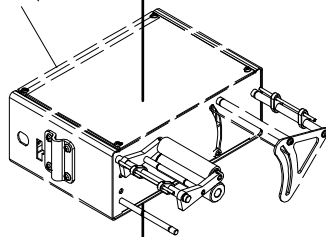
A



KZ35K-2

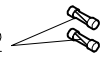
B

LF60Q-A2  
\*LF60Q-A1

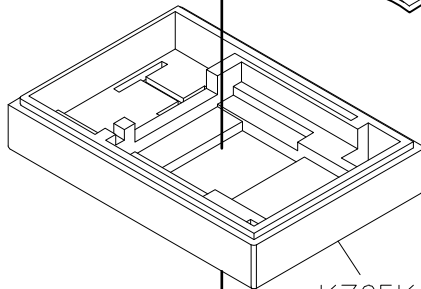


C

FU102\*2

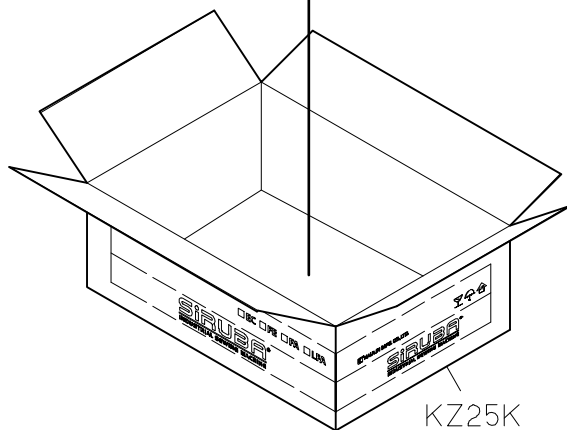


KZ03



KZ35K-1

D



KZ25K

E

1

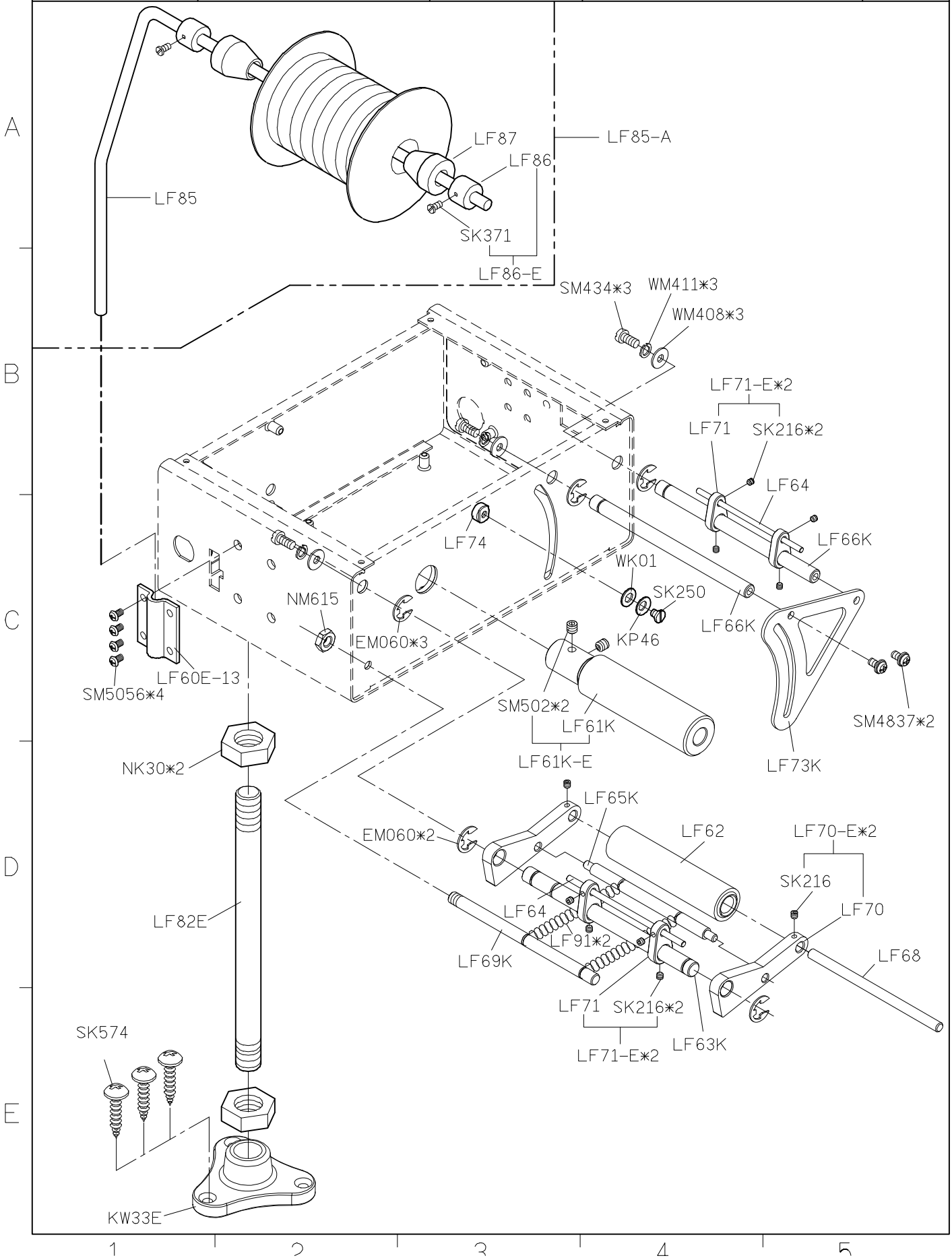
2

3

4

5

SIRUBA PARTS LIST	Series	Parts Group	Subclass / Remark	Page
	700K/700KD	LFAK		1/3
	988/988D			Date
				2013/03/25



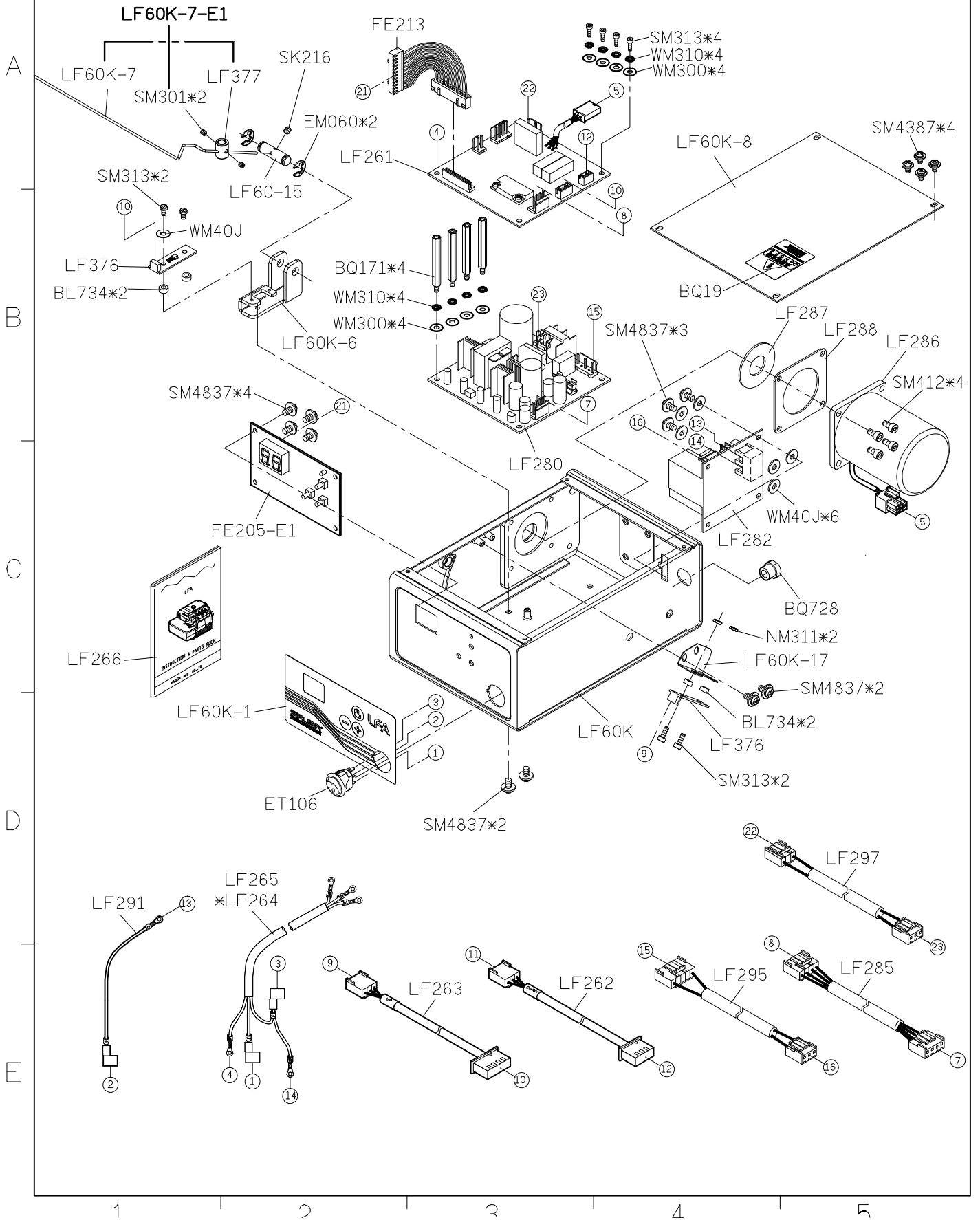
**SIRUBA**  
**PARTS LIST**

**Series**  
**700K/700KD**  
**988/988D**

**Parts Group**  
**LFAK**

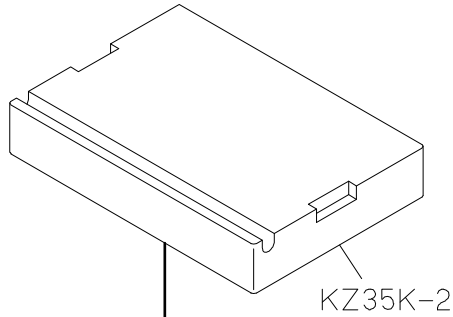
**Subclass / Remark**  
\*:Use for LFRK-D1/LFRK-D2

**Page**  
2/3  
**Date**  
2013/03/25

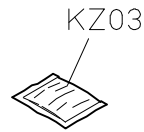
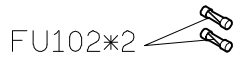
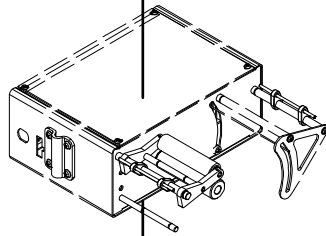


<b>SIRUBA</b> <b>PARTS LIST</b>	Series	Parts Group	Subclass / Remark	Page
	700K/700KD	<b>LFAK</b>		3/3
	988/988D			Date
				2013/03/25

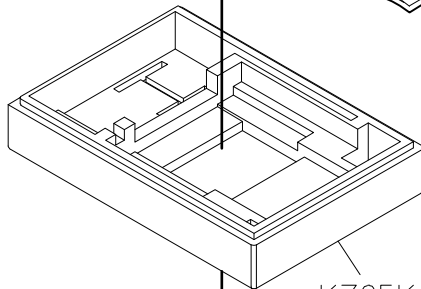
A



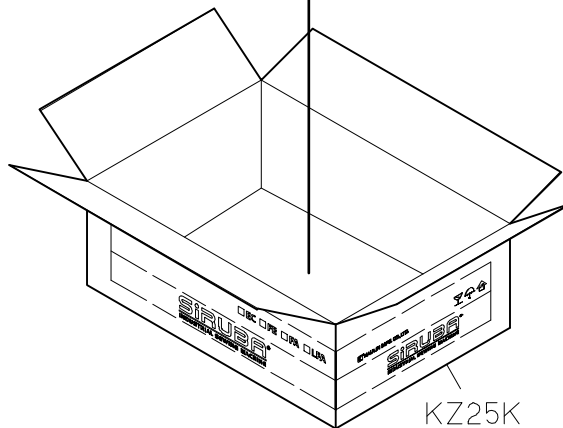
B



C



D



E

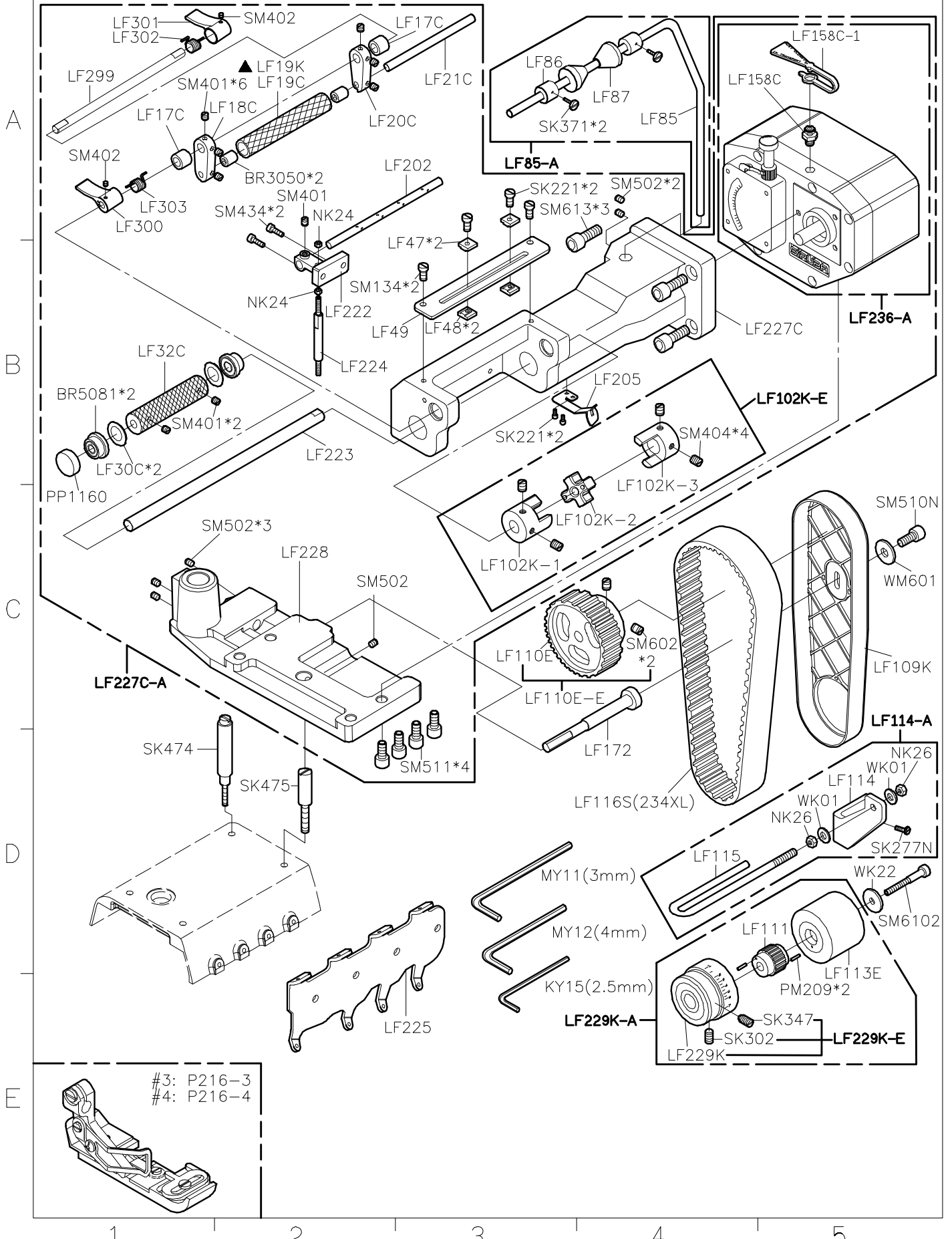
1

2

3

4

5



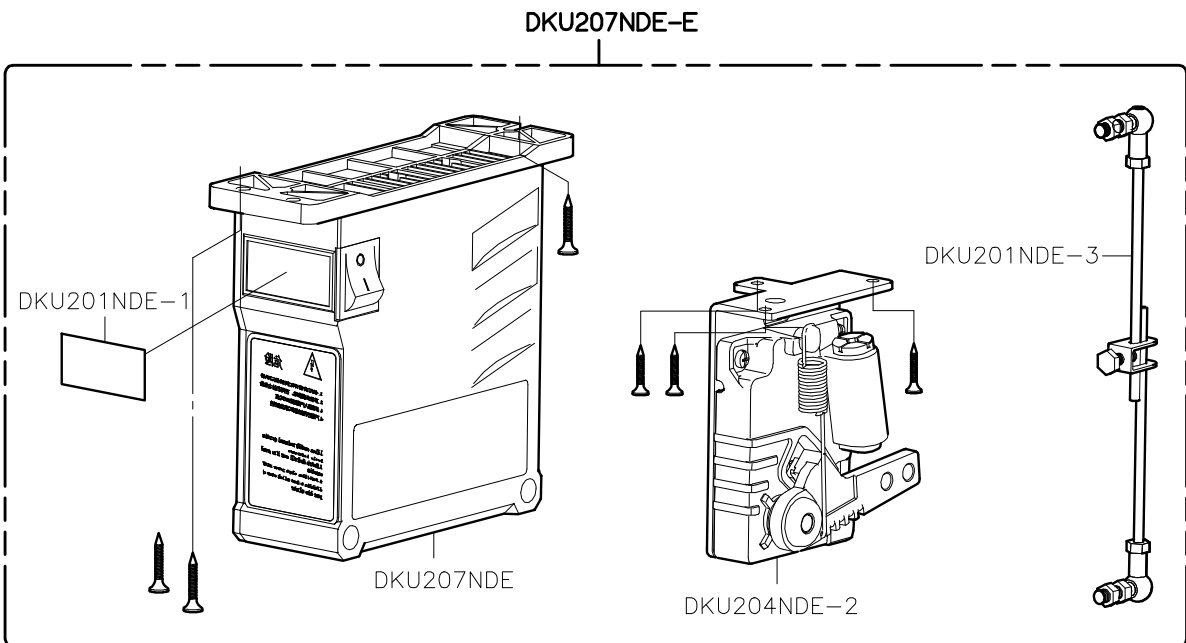
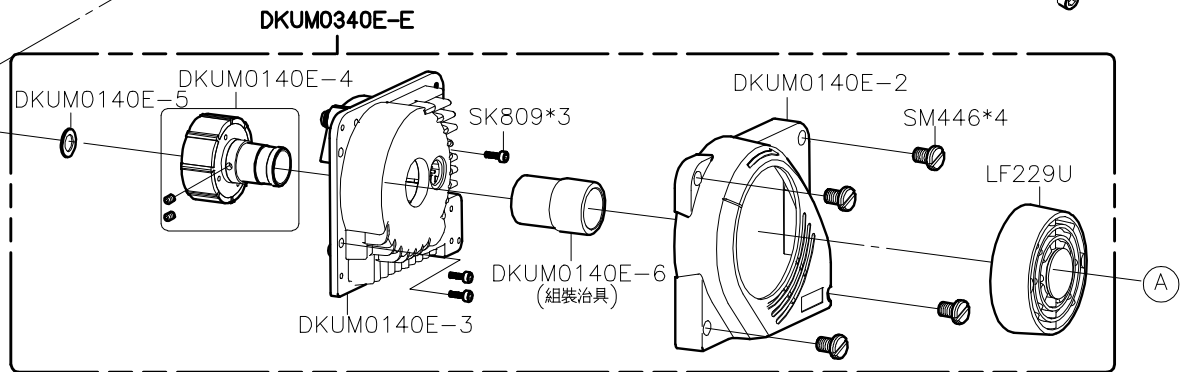
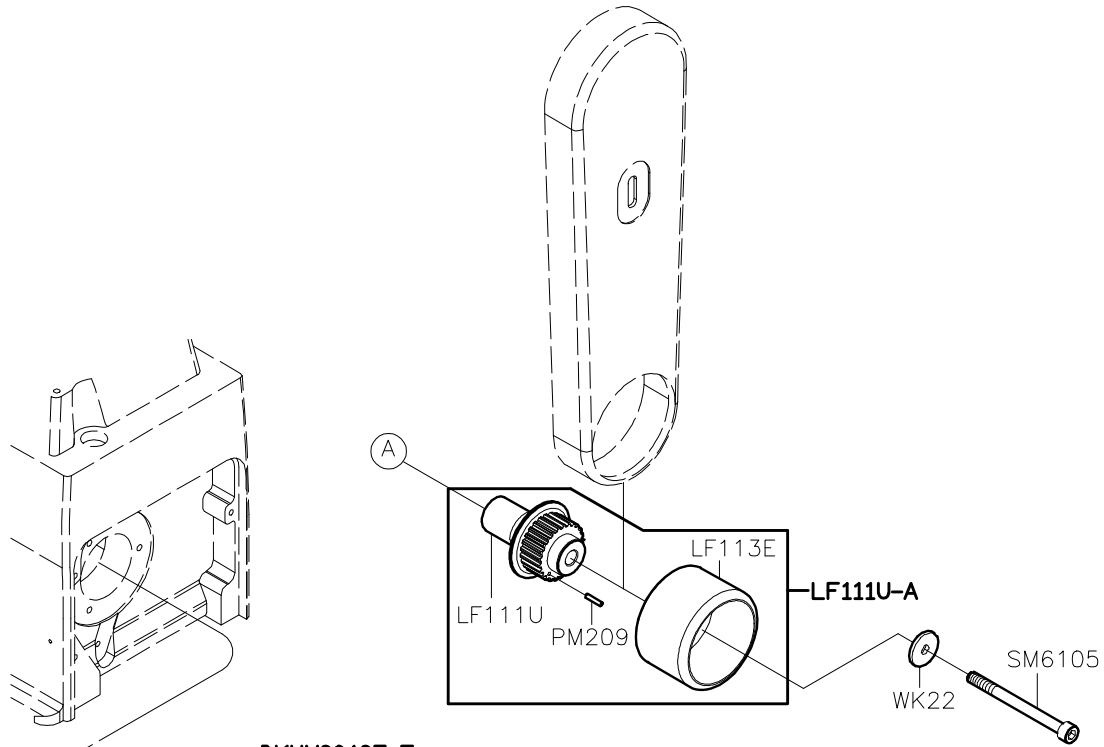
A

B

C

D

E



1

2

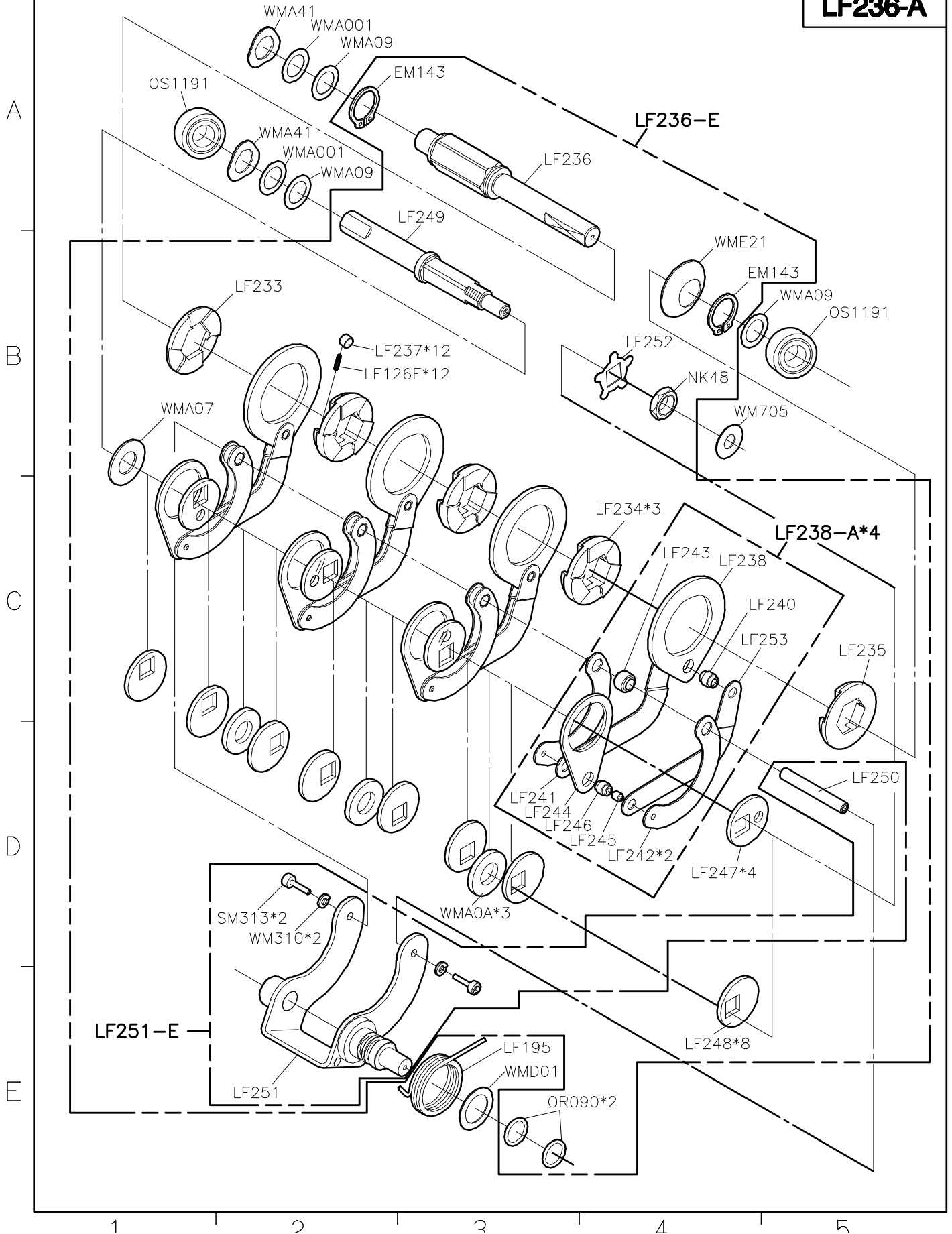
3

4

5

Series	Parts Group	Subclass / Remark	Page
<b>700K</b>	<b>LFC-3</b>		<b>3/4</b>
			<b>Date</b>
			<b>2023/09/15</b>

**LF236-A**



**LF236-A**

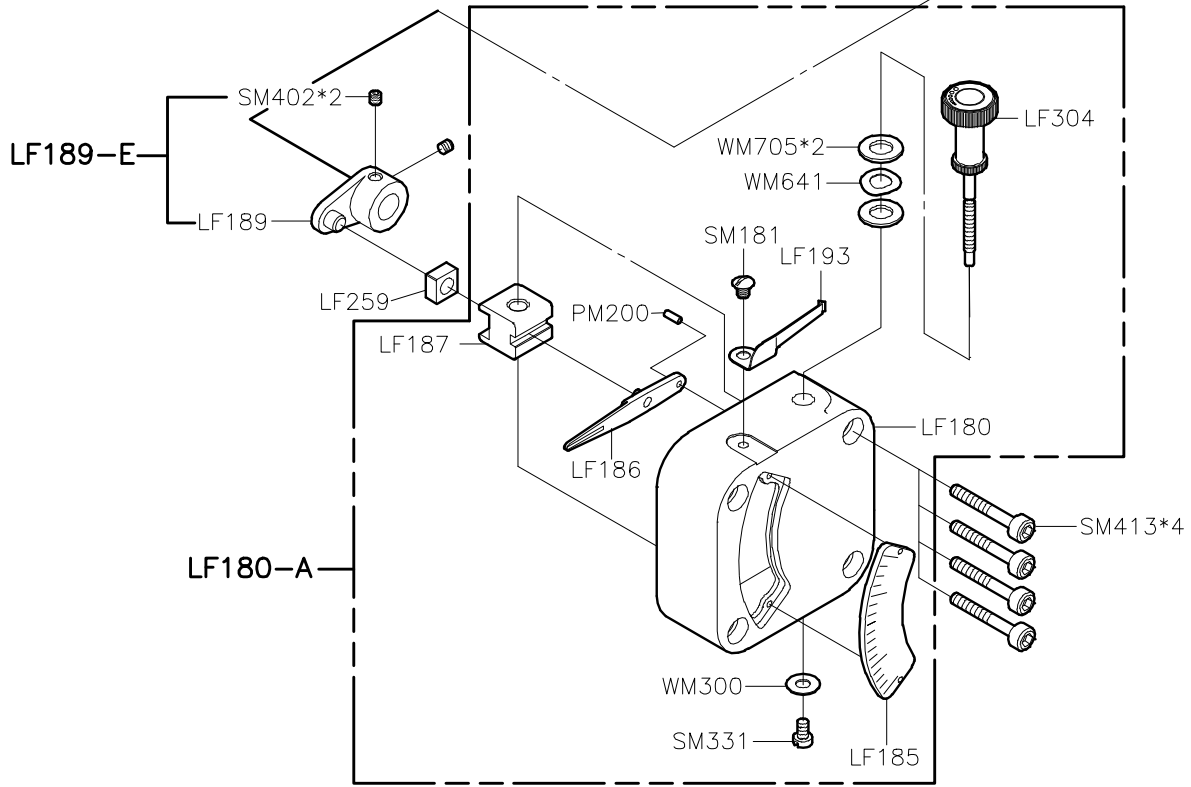
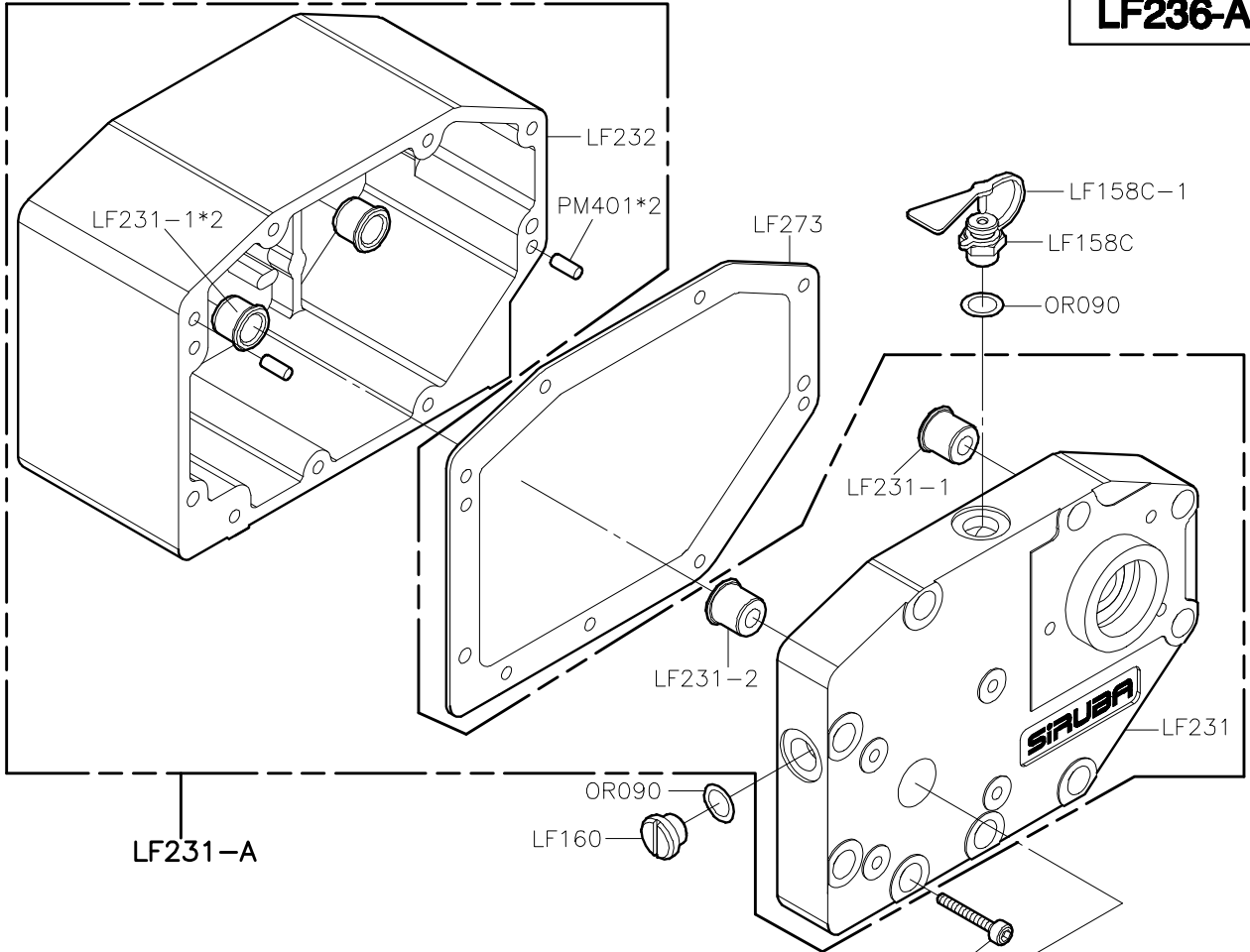
A

B

C

D

E



1

2

3

4

5



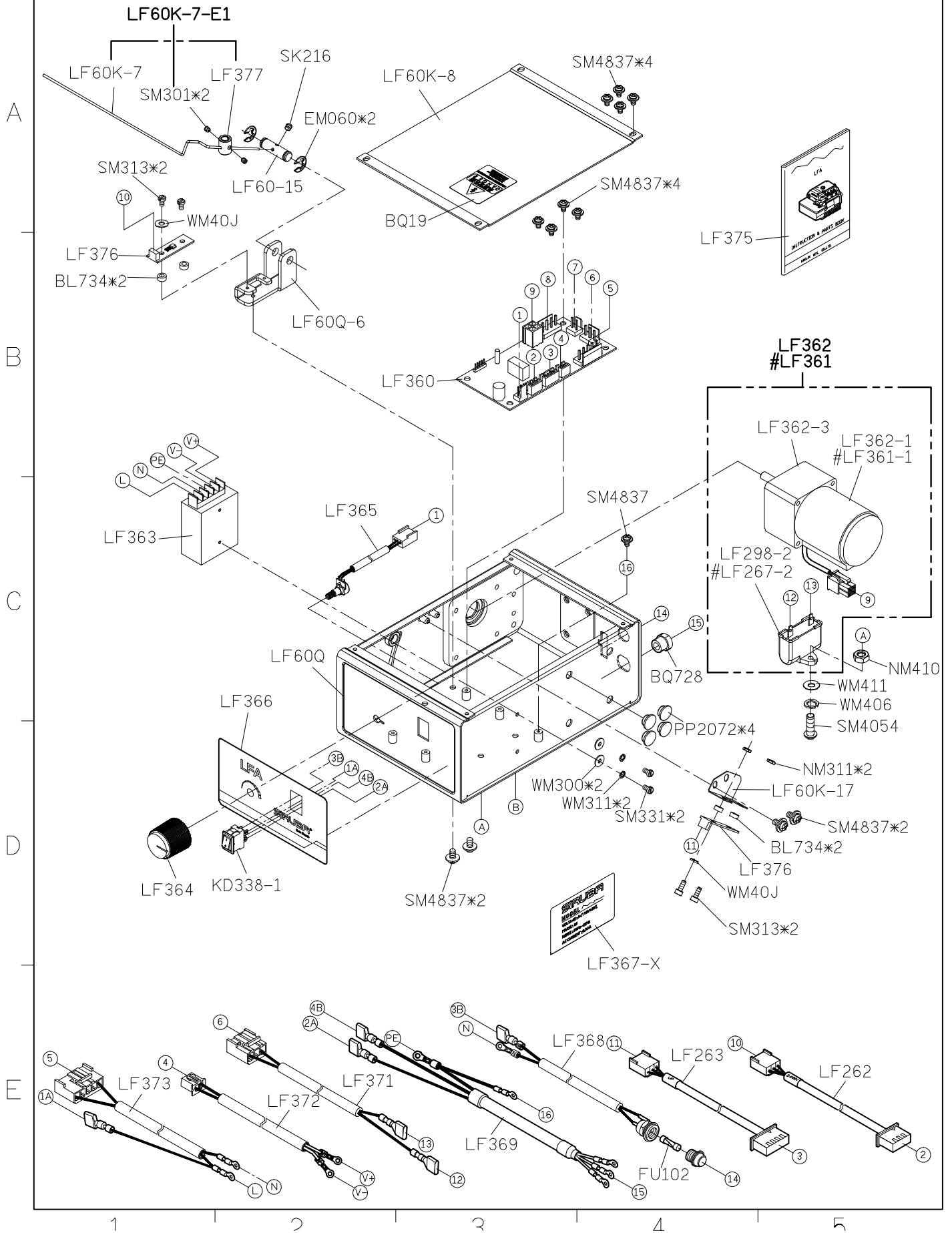
**SIRUBA**  
**PARTS LIST**

**Series**  
**700K/700KD**  
**988/988D**

**Parts Group**  
**LFR**

**Subclass / Remark**  
**# : Use for 110V**

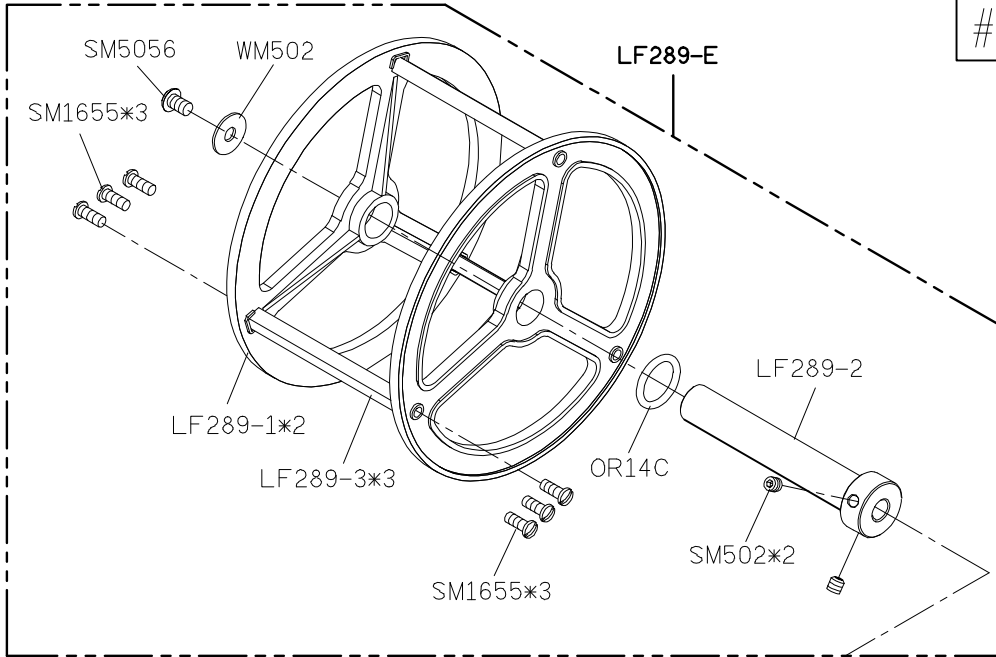
**Page**  
**2/4**  
**Date**  
**2013/07/01**



LF290-A2(220V)  
#LF290-A1(110V)

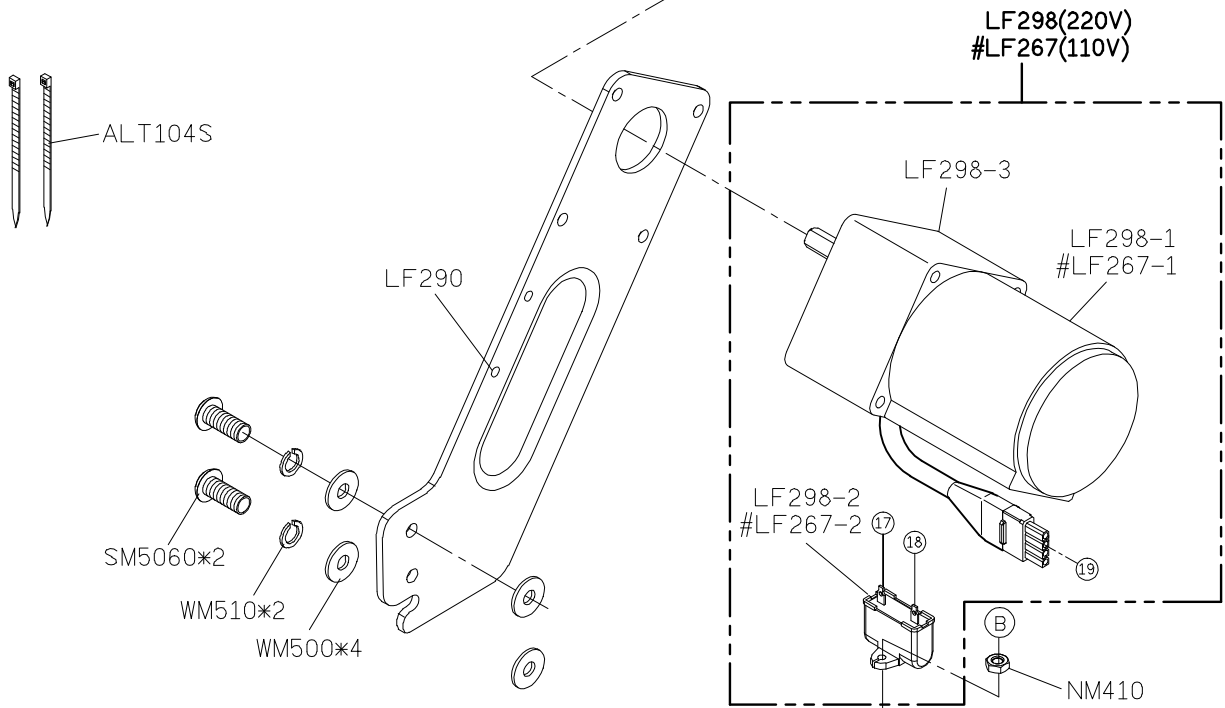
A

B

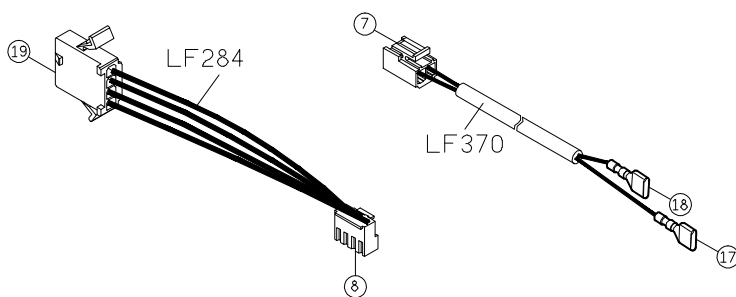


C

D

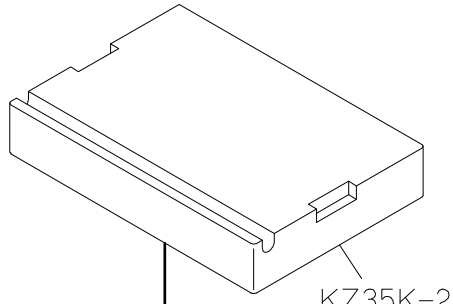


E



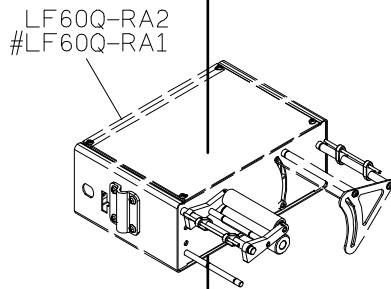
SIRUBA PARTS LIST	Series	Parts Group	Subclass / Remark	Page
	700K/700KD 988/988D	LFR	#:Use for 110V	4/4
				Date
				2013/03/25

A



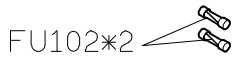
KZ35K-2

B

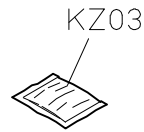


LF60Q-RA2  
#LF60Q-RA1

C

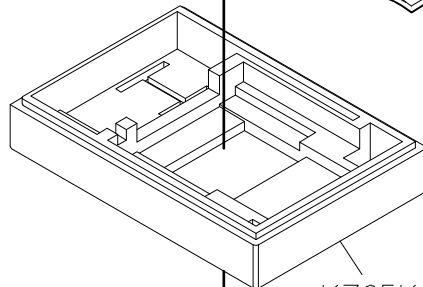


FU102\*2



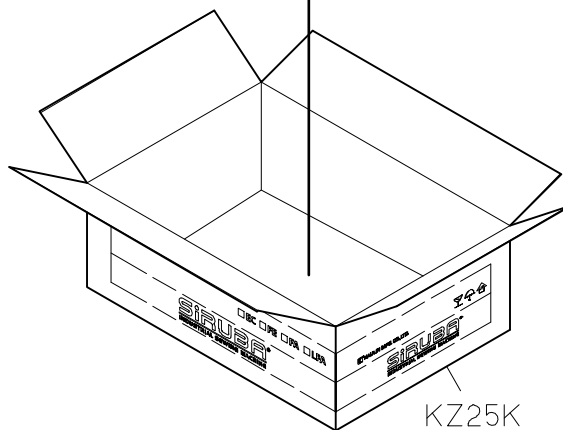
KZ03

D



KZ35K-1

E



KZ25K

1

2

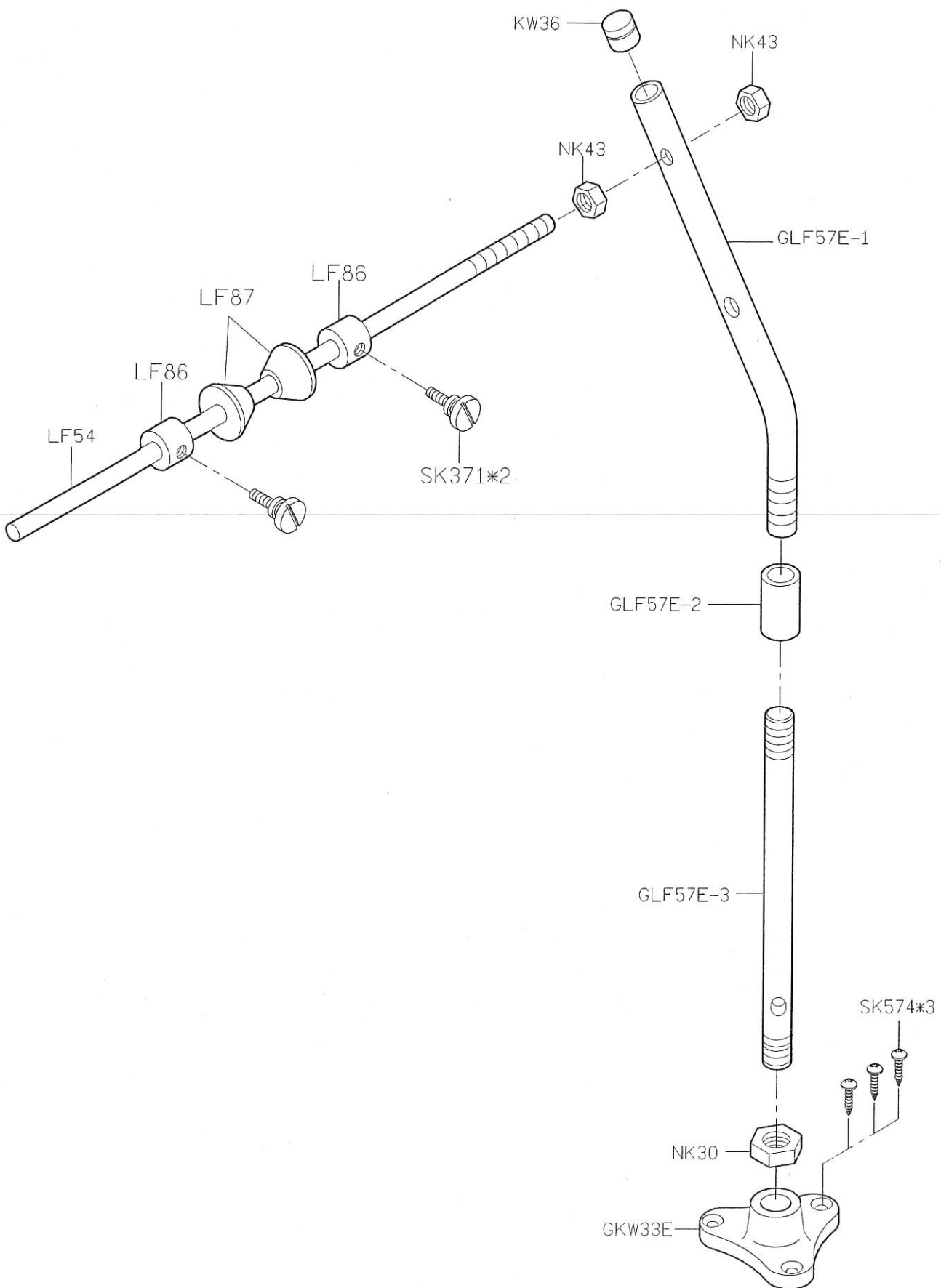
3

4

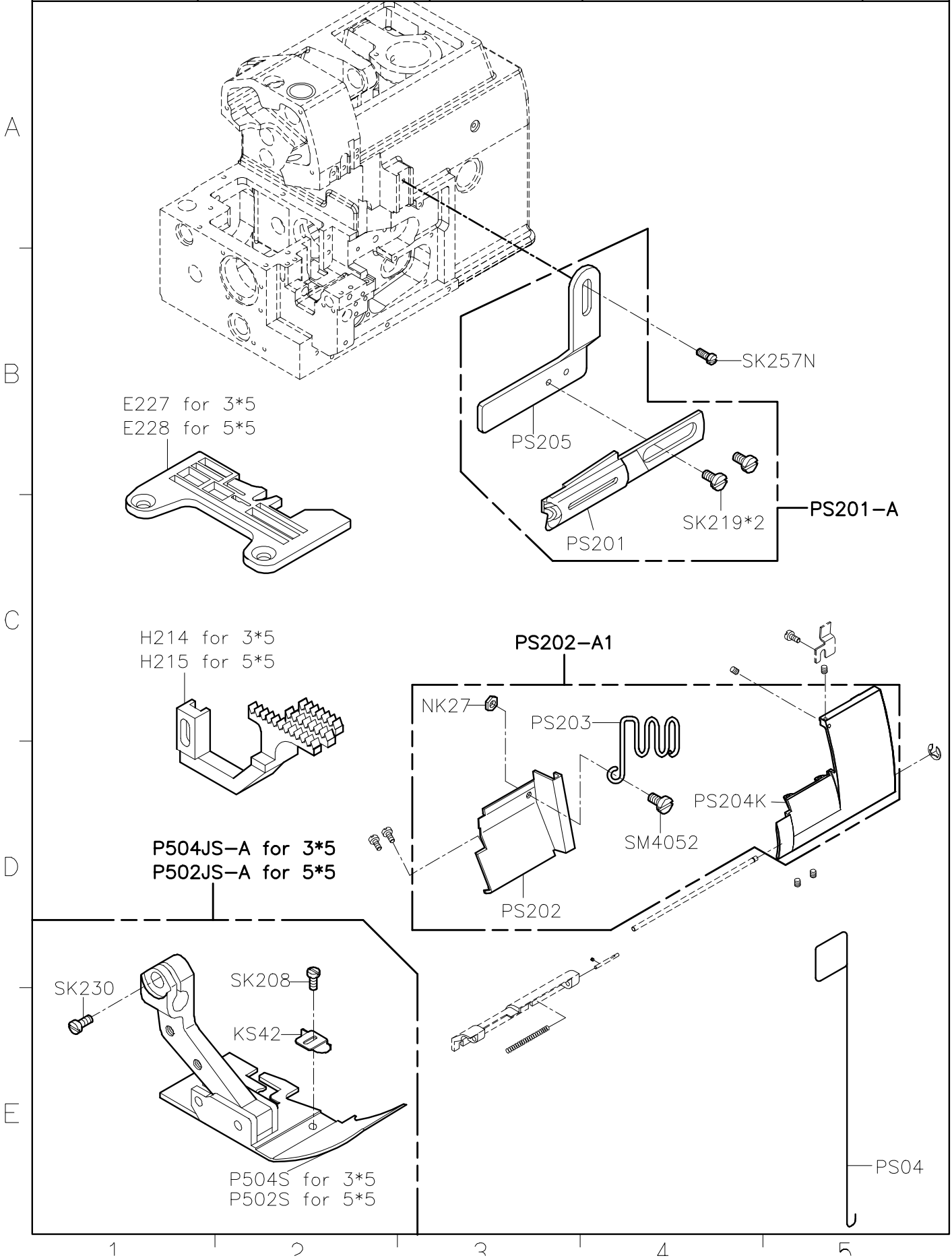
5

# PARTS LIST FOR LS GROUP 系列圖 1

A  
B  
C  
D  
E



SIRUBA PARTS LIST	Series	Parts Group	Subclass / Remark	Page
	700K/988	PS-K		1/1
				Date
				2021/11/22



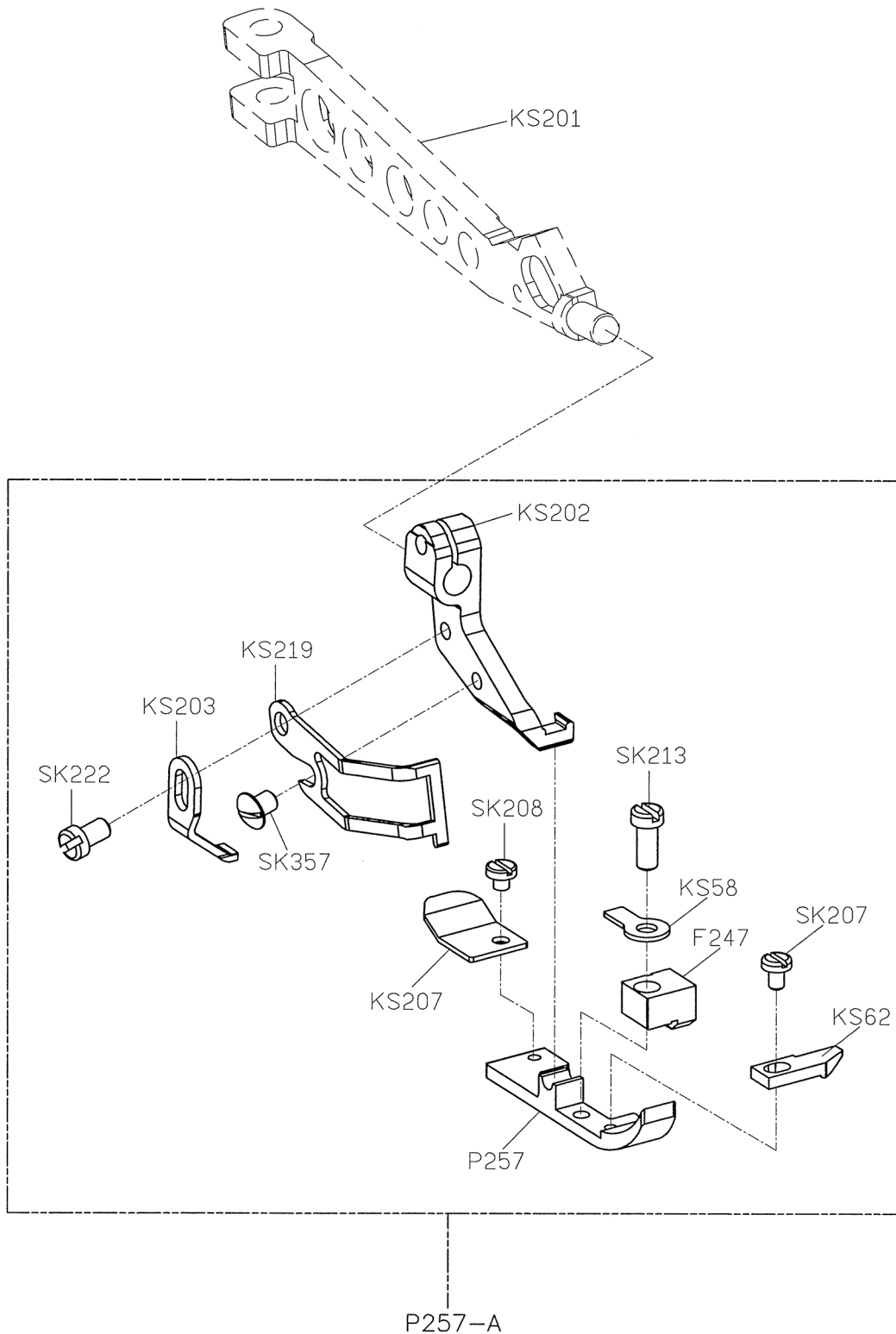
A

B

C

D

E





SIRUBA PARTS LIST	Series	Parts Group	Subclass / Remark	Page
	700K/700KD	TG		1/1
	988/988D			Date
				2012/12/18

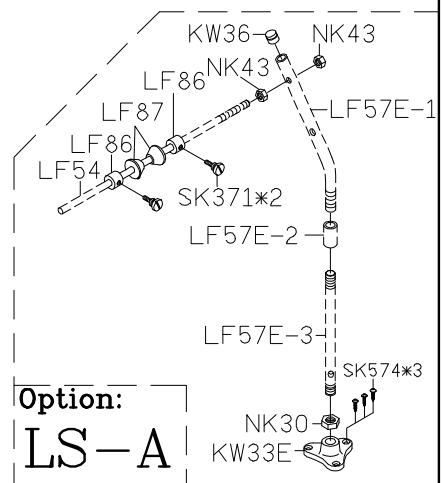
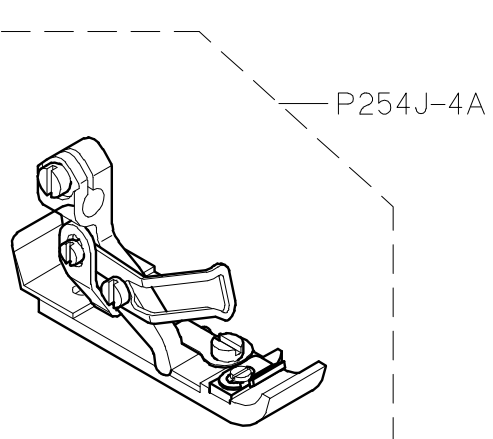
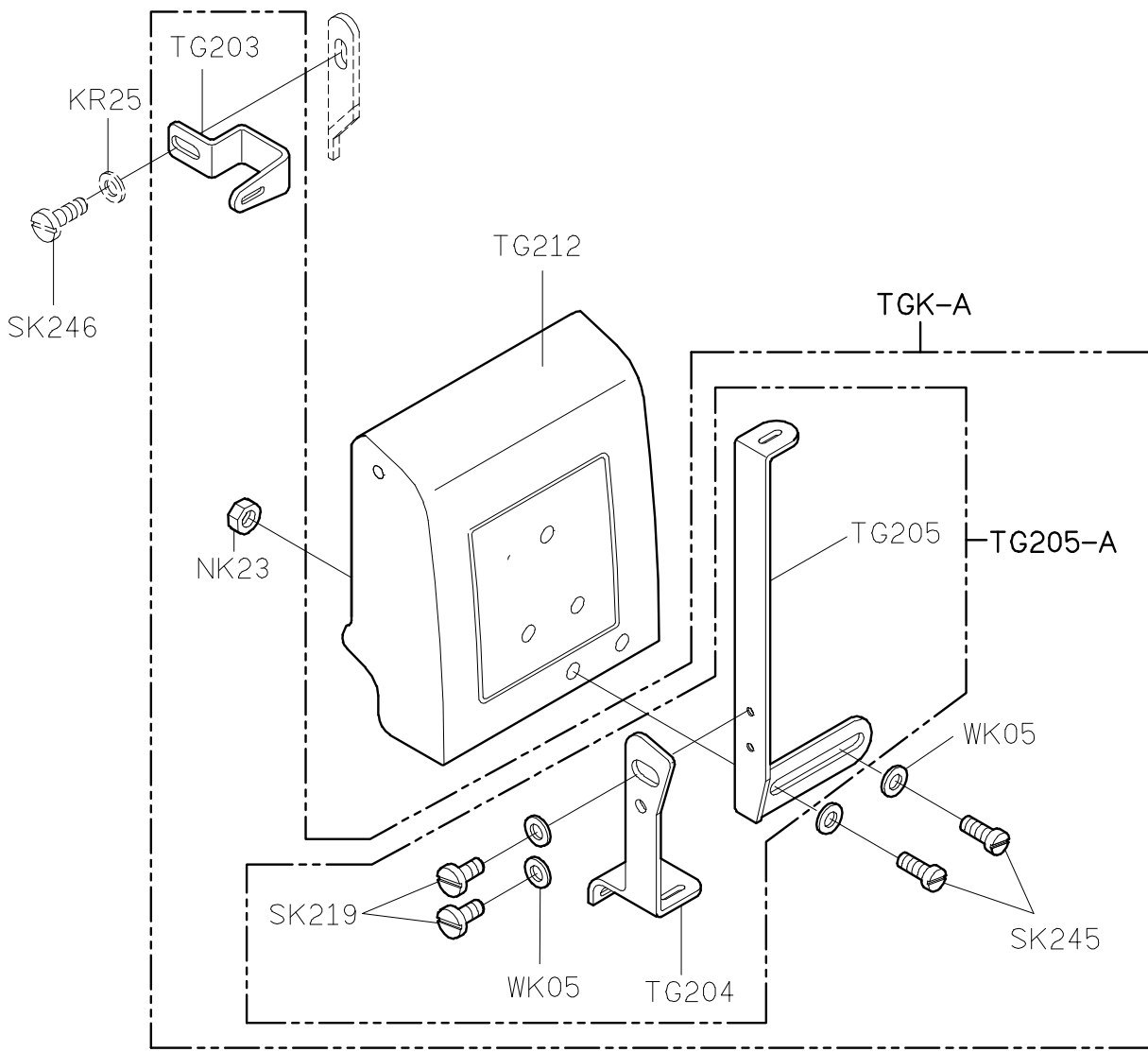
A

B

C

D

E



Option:  
**LS-A**

1

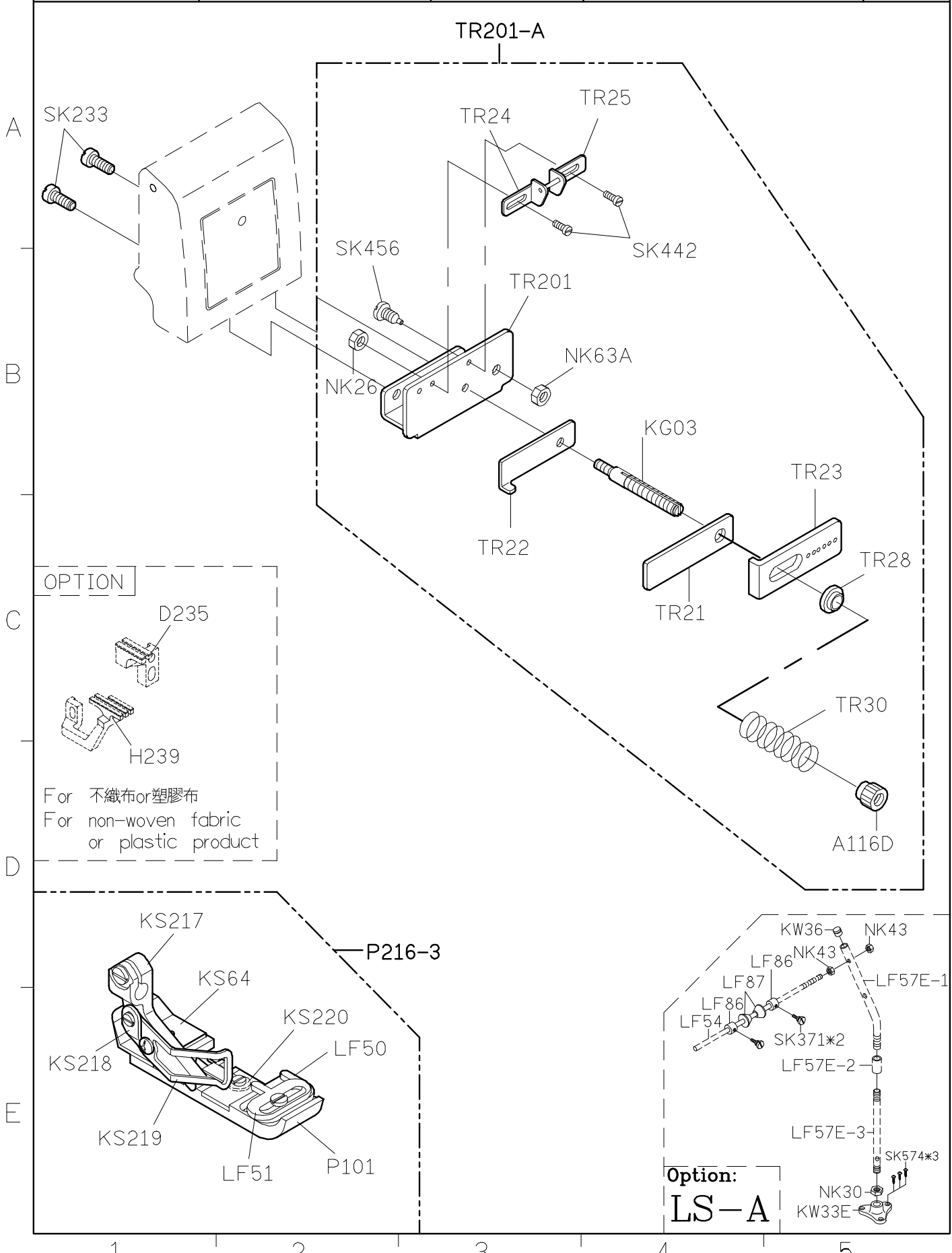
2

3

4

5

SIRUBA PARTS LIST	Series	Parts Group	Subclass / Remark	Page
	700K/700KD	TR		1/1
	988/988D			Date
				2012/12/18



SK233

TR201-A

TR25

TR24

SK442

SK456

TR201

NK63A

NK26

KG03

TR22

TR23

TR21

TR28

TR30

A116D

KS217

P216-3

KS64

KS220

LF50

KS218

KS219

LF51

P101

KW36

NK43

LF86

LF87

LF86

LF54

NK43

SK371\*2

LF57E-2

LF57E-3

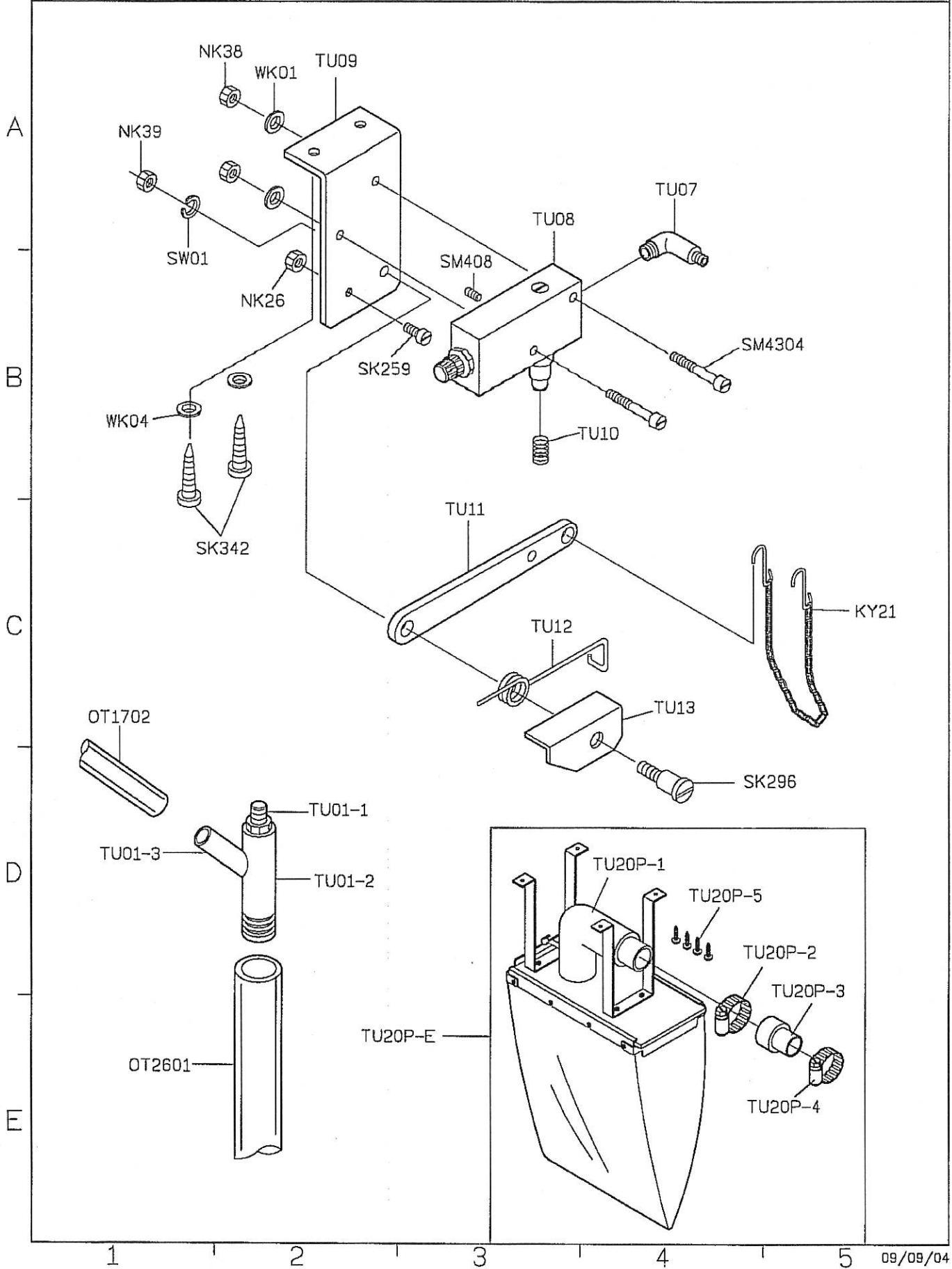
SK574\*3

NK30

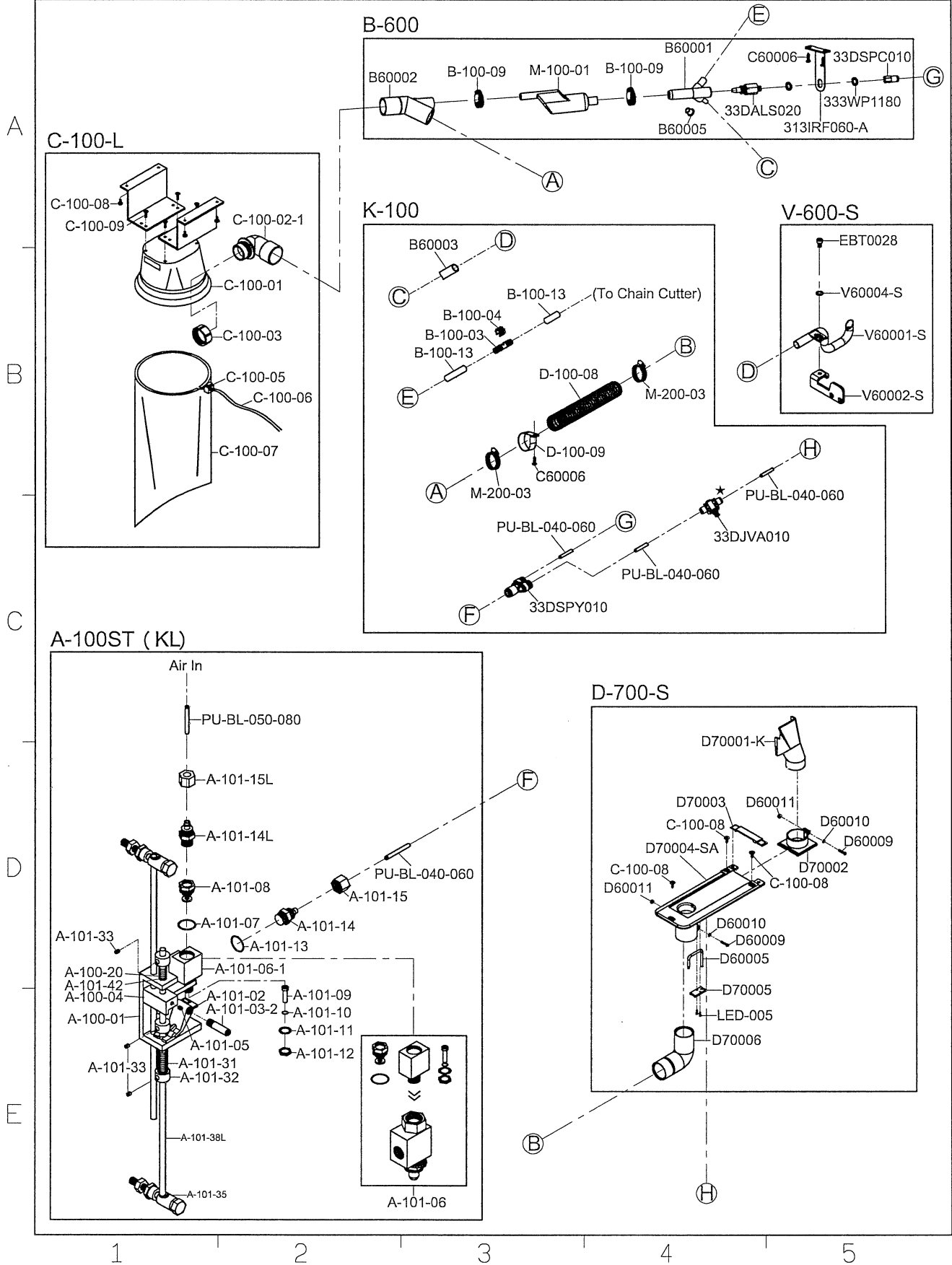
KW33E

**Option:  
LS-A**

# PARTS LIST FOR TU GROUP 系列圖 1



SIRUBA PARTS LIST	Series	Parts Group	Subclass / Remark	Page
	拷克 Overlock	TUA-31	Note 註記: 1) ★ Before installation, please check one side is Air IN, another side is Air OUT. 2) 空氣有效使用壓力 Effective air pressure: 4~6 kg/cm 3) 請適度修剪管子長度, 以達到風力最佳效能。	1/1 Date 2016/11/02



**SIRUBA**

PARTS LIST

Series

700K

Parts Group

TUA-32K

Subclass / Remark

Note 註記:

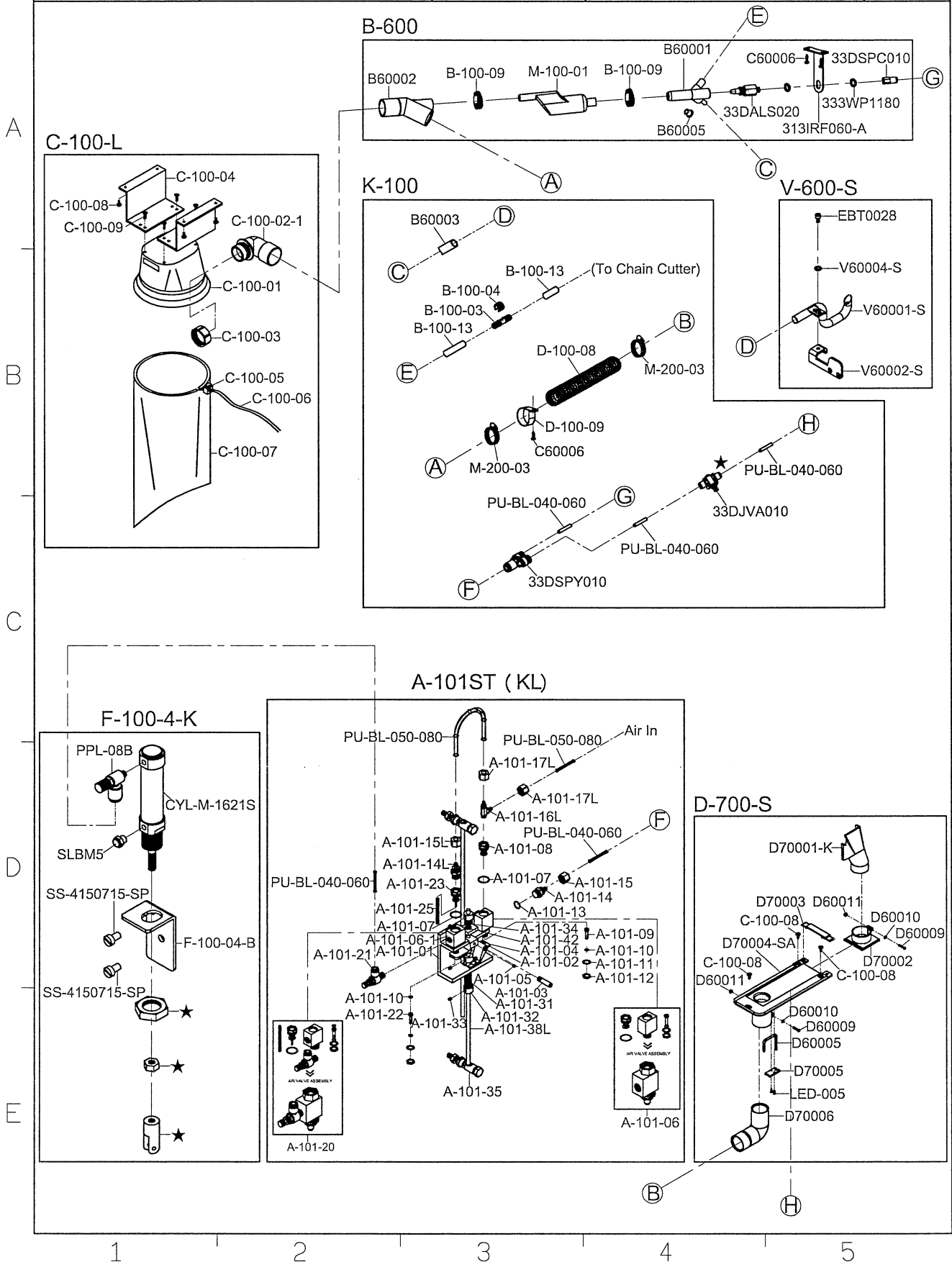
- 1) ★ Before installation, please check one side is Air IN, another side is Air OUT.
- 2) 空氣有效使用壓力  
Effective air pressure: 4~6 kg/cm
- 3) 請適度修剪管子長度，以達到風力最佳效能。

Page

1/1

Date

2016/11/02



**SIRUBA**

PARTS LIST

Series

700K

Parts Group

TUA-33K

Subclass / Remark

Note 註記:

- 1) ★ Before installation, please check one side is Air IN, another side is Air OUT.
- 2) 空氣有效使用壓力  
Effective air pressure: 4~6 kg/cm
- 3) 請適度修剪管子長度，以達到風力最佳效能。

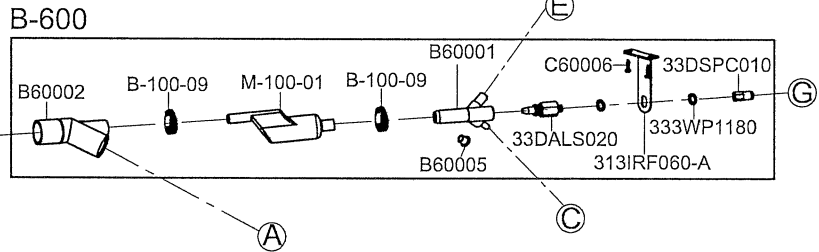
Page

1/1

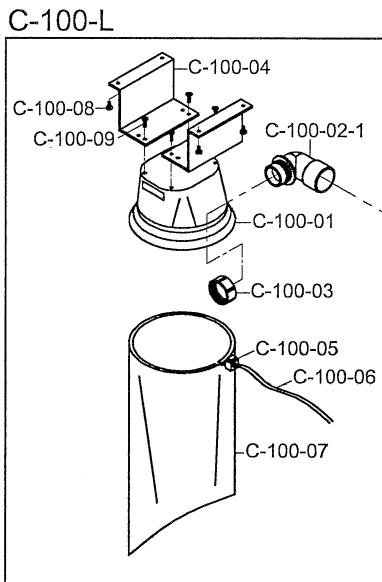
Date

2016/11/02

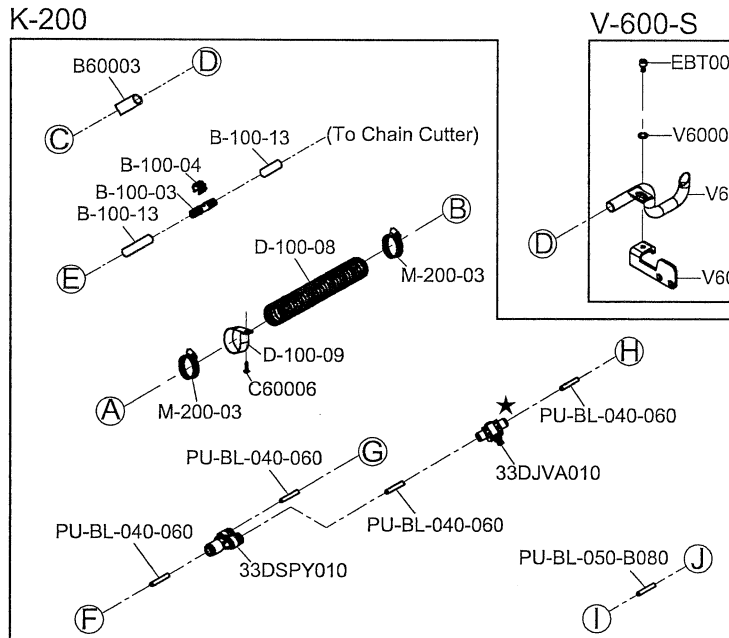
A



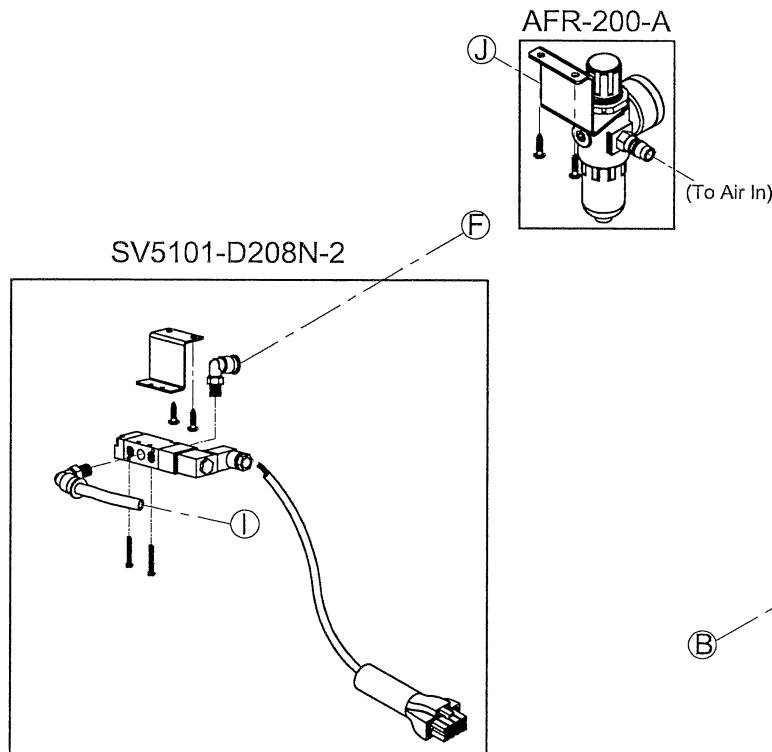
B



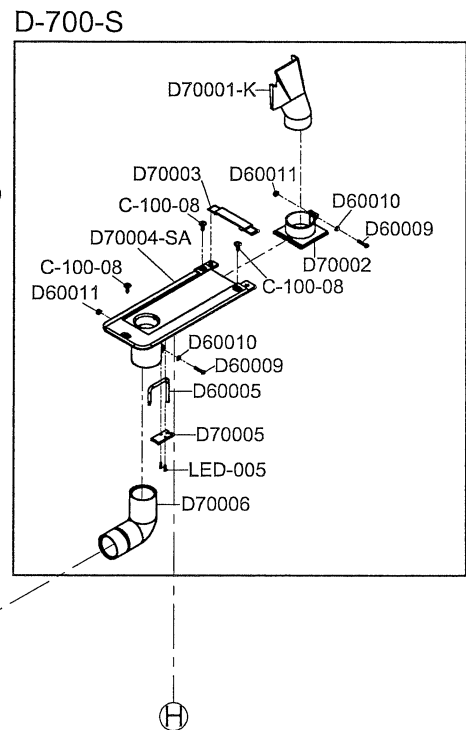
C



D



E



1

2

3

4

5

**SIRUBA**

PARTS LIST

Series

700K

Parts Group

TUA-34K

Subclass / Remark

Note 註記:

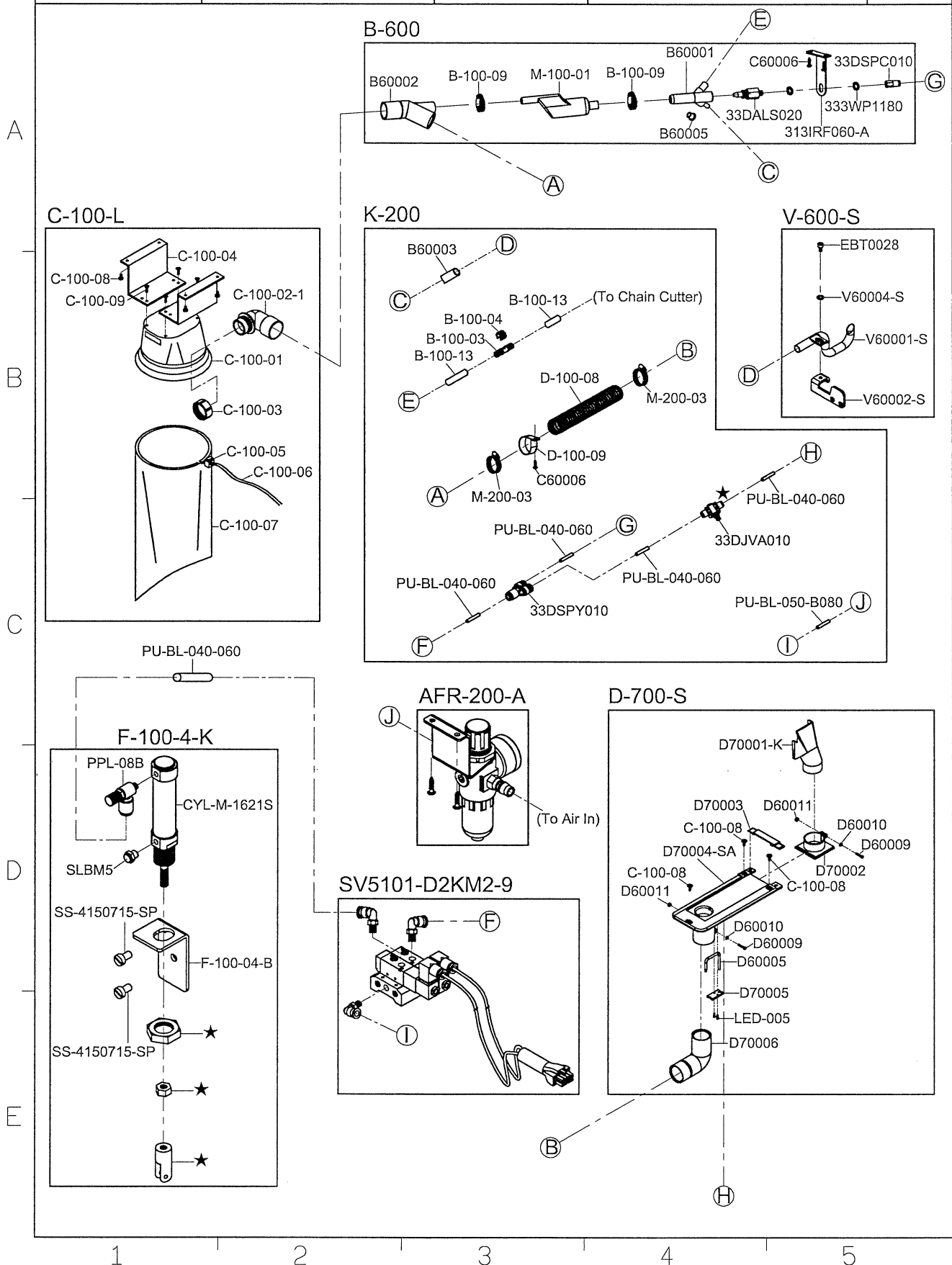
- 1) ★ Before installation, please check one side is Air IN, another side is Air OUT.
- 2) 空氣有效使用壓力  
Effective air pressure: 4~6 kg/cm
- 3) 請適度修剪管子長度，以達到風力最佳效能。

Page

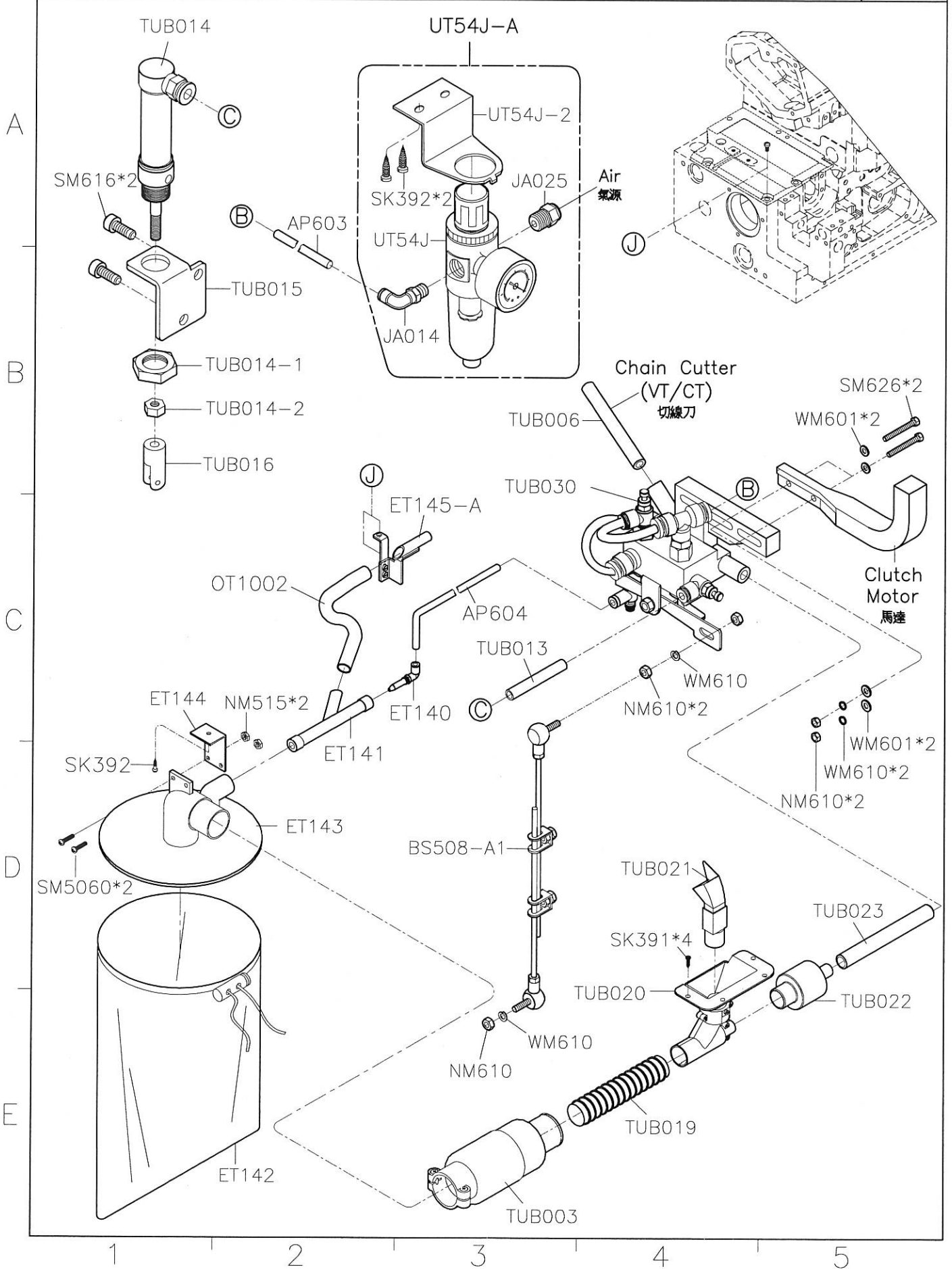
1/1

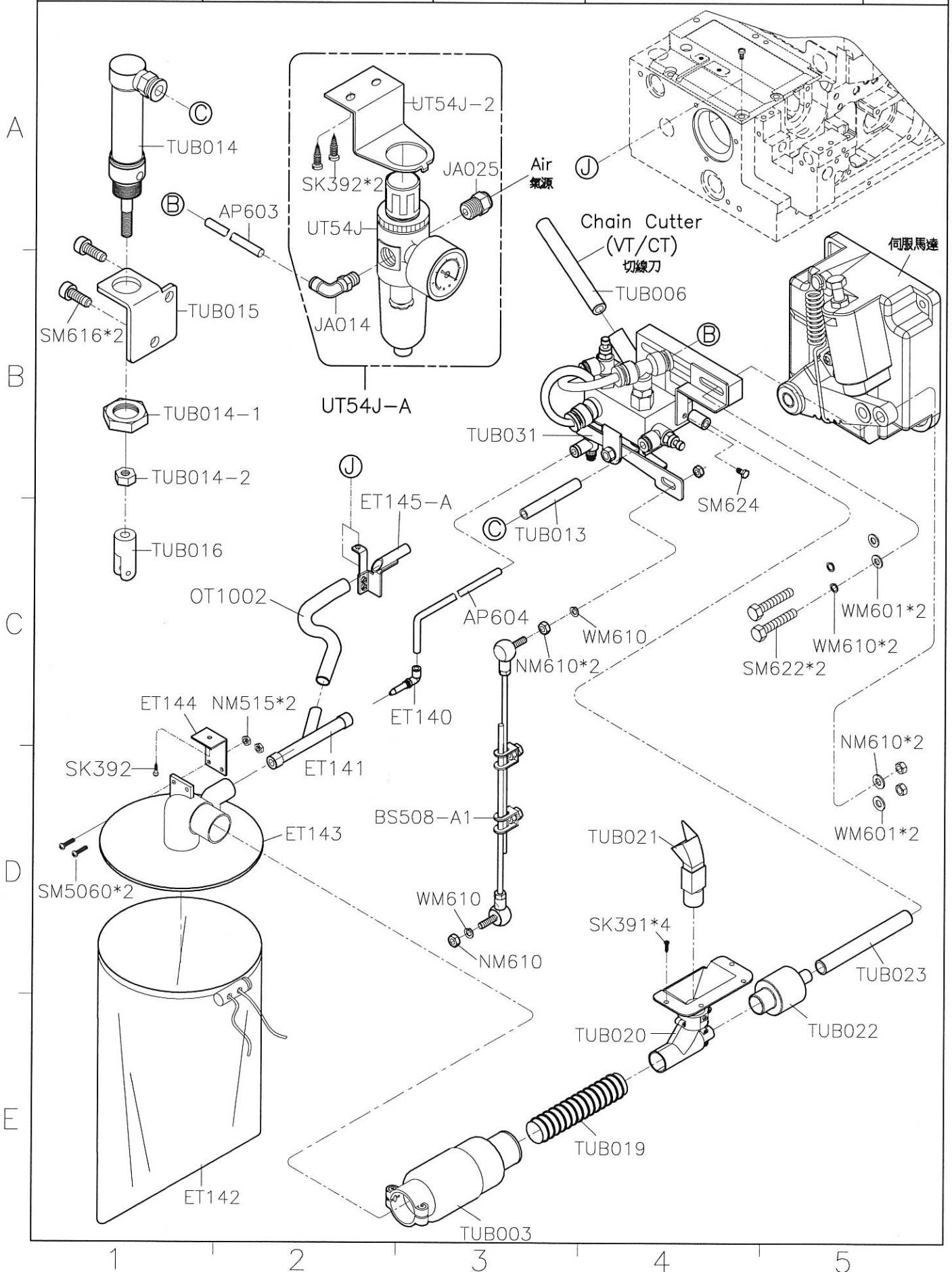
Date

2016/11/02

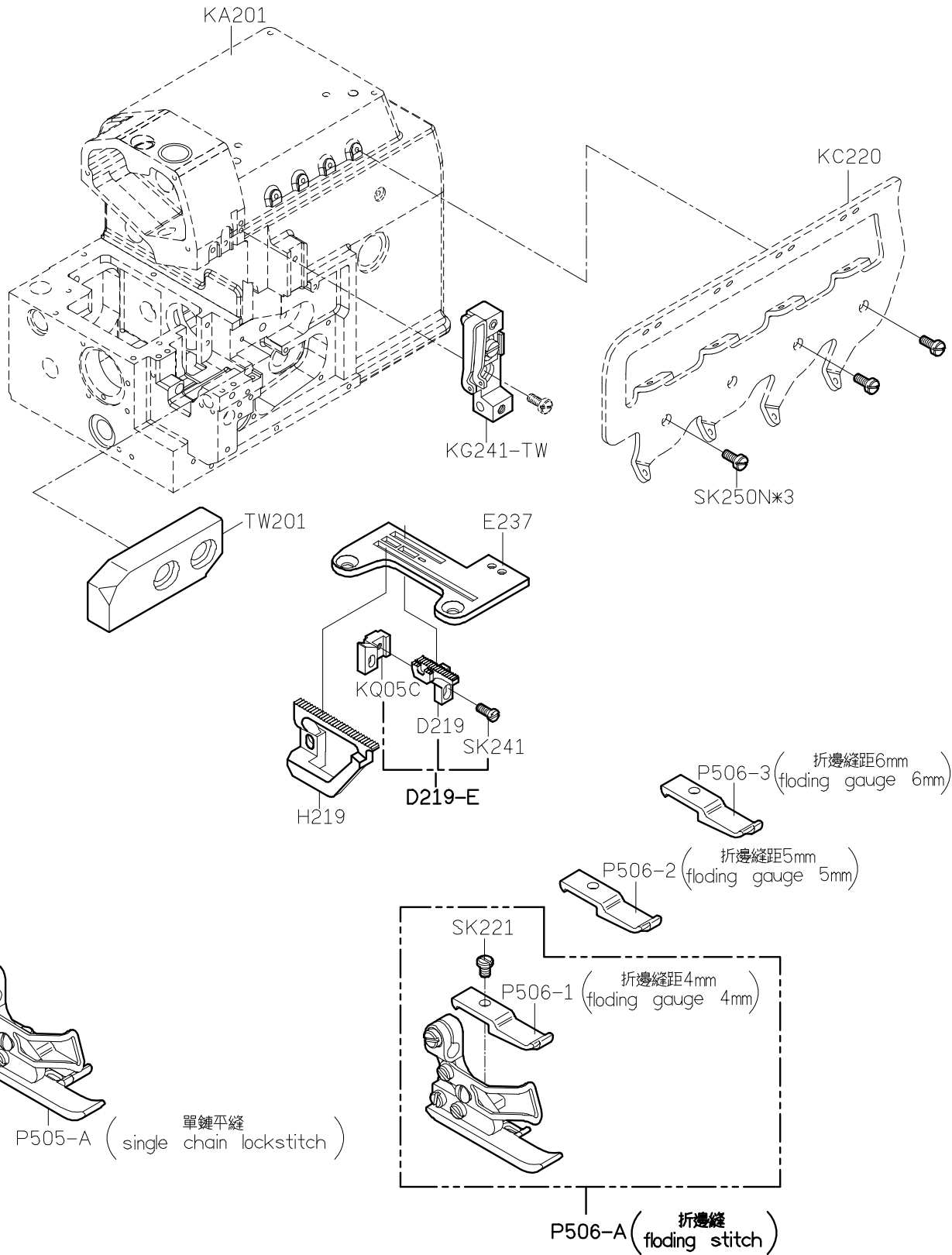


SIRUBA PARTS LIST	Series	Parts Group	Subclass / Remark	Page
	700K/988K	TUB13		1/1
				Date
				2012/12/21

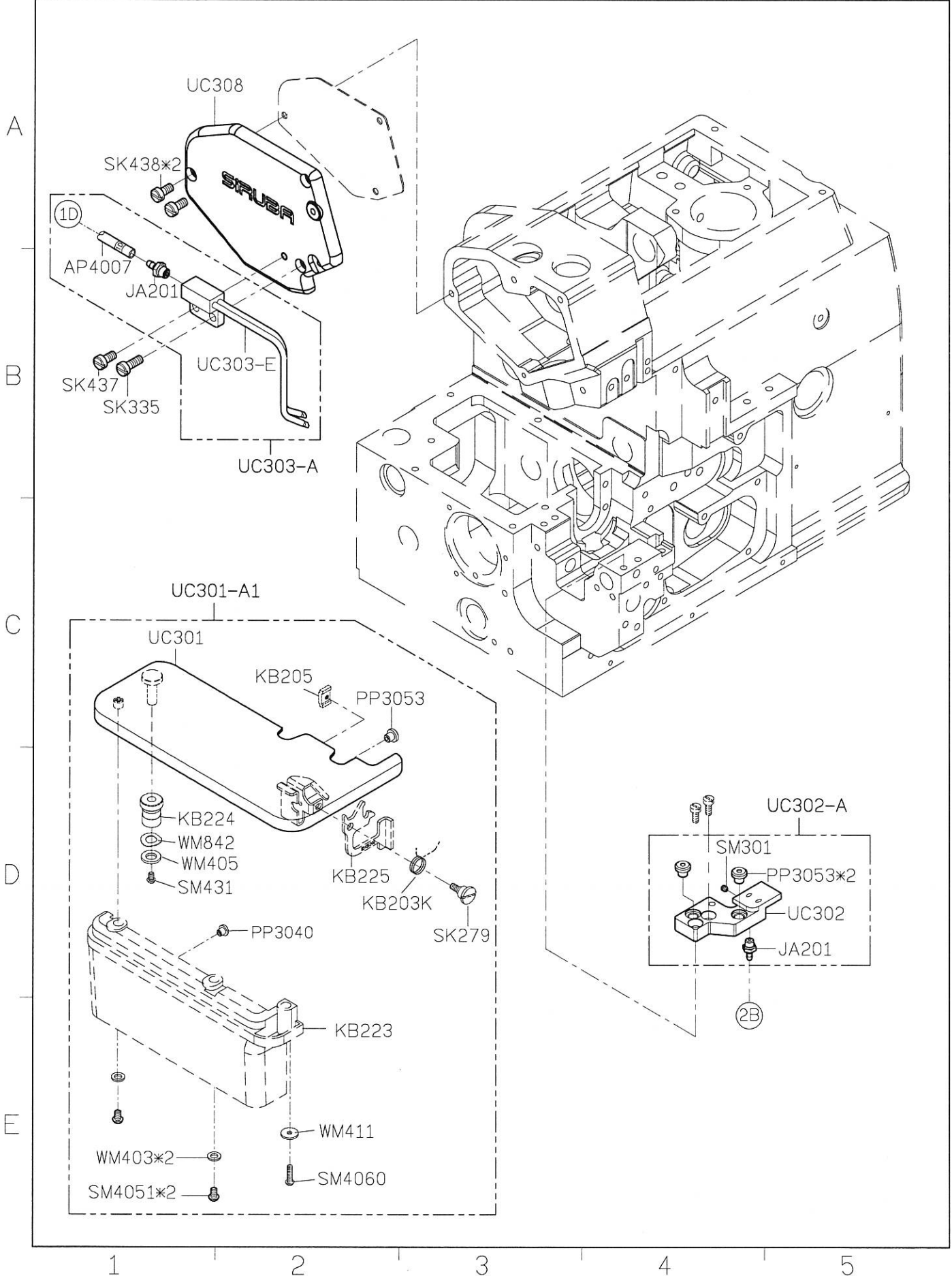




SIRUBA PARTS LIST	Series	Parts Group	Subclass / Remark	Page
	700K/700KD	TW		1/1
	988/988D			Date
				2012/12/18



SIRUBA PARTS LIST	Series	Parts Group	Subclass / Remark	Page
	700K/700L	UC-L2	*機械式 *不含VT組及吸布屑組 *無抬押腳組 *FOR 內, 外捲	1/4 Date 2020/05/12



SIRUBA PARTS LIST	Series	Parts Group	Subclass / Remark	Page
	700K/700L	UC-L2	*機械式	2/4
			*不含VT組及吸布屑組	Date
			*無抬押腳組	2020/05/12
			*FOR 內, 外捲	

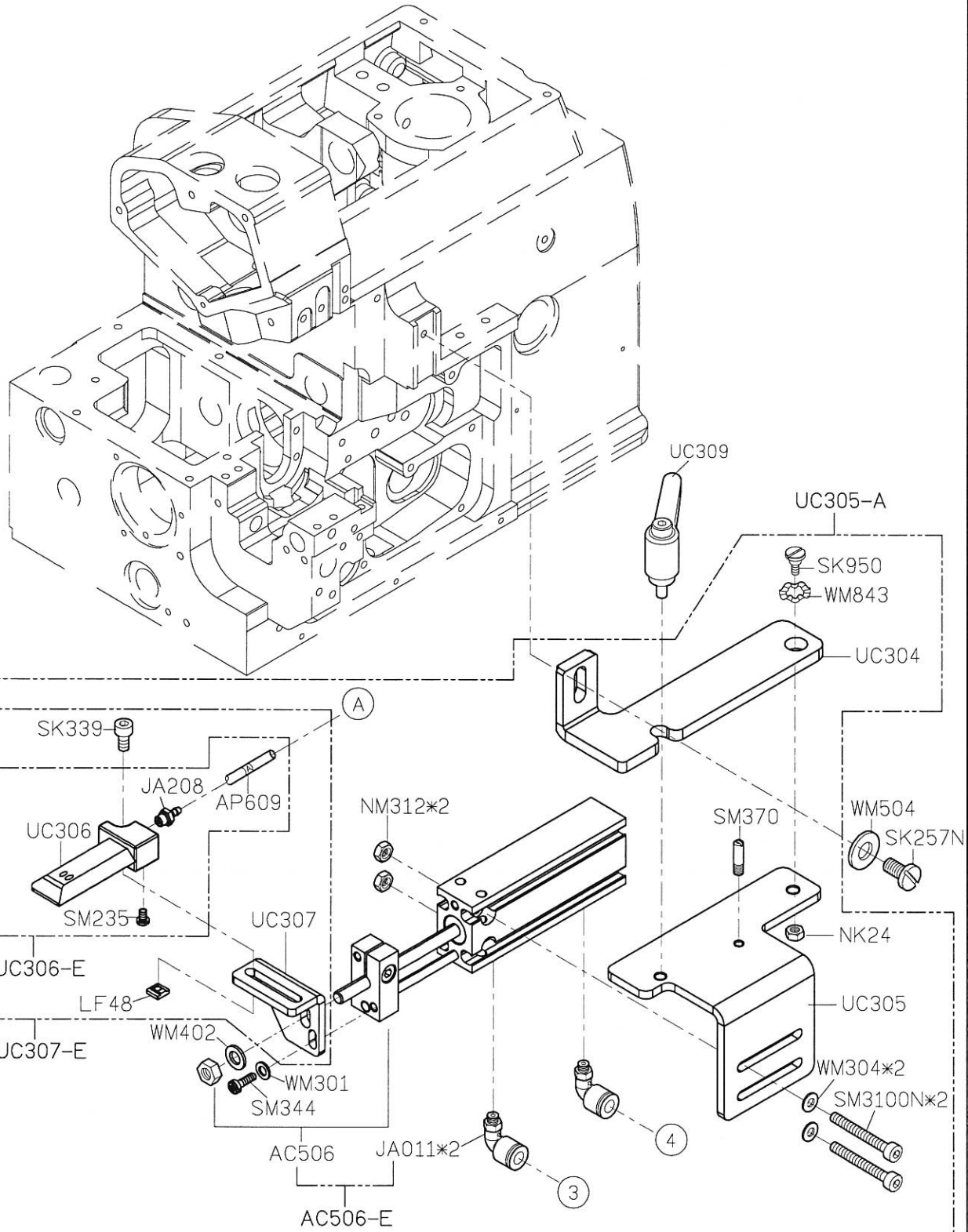
A

B

C

D

E



1

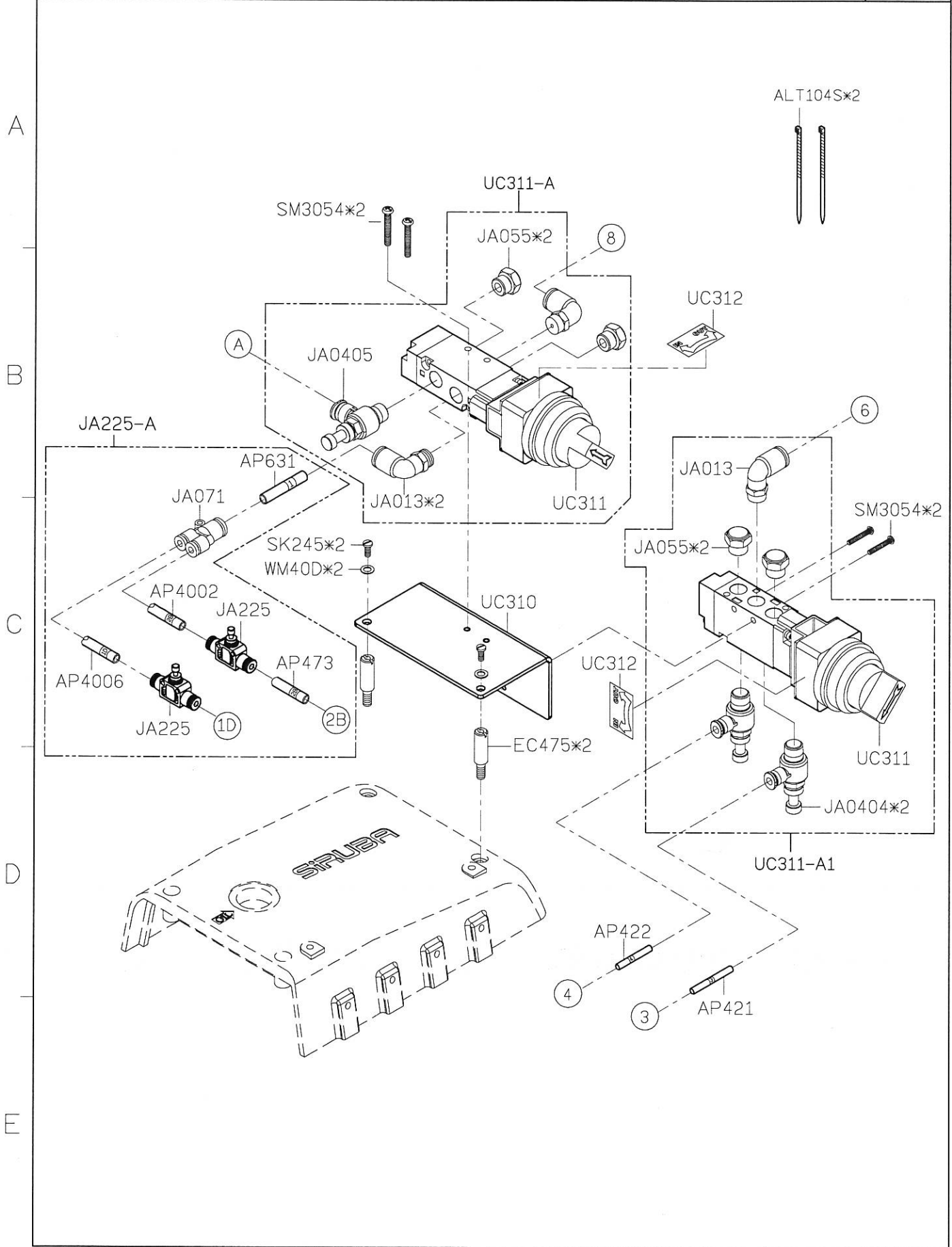
2

3

4

5

SIRUBA PARTS LIST	Series	Parts Group	Subclass / Remark	Page
	700K/700L	UC-L2	*機械式	3/4
			*不含VT組及吸布屑組	Date
			*無抬押腳組	2020/05/12
			*FOR 內, 外捲	



SIRUBA PARTS LIST	Series	Parts Group	Subclass / Remark	Page
	700K/700L	UC-L2	*機械式	4/4
			*不含VT組及吸布屑組	Date
			*無抬押腳組	2020/05/12
			*FOR 內, 外捲	

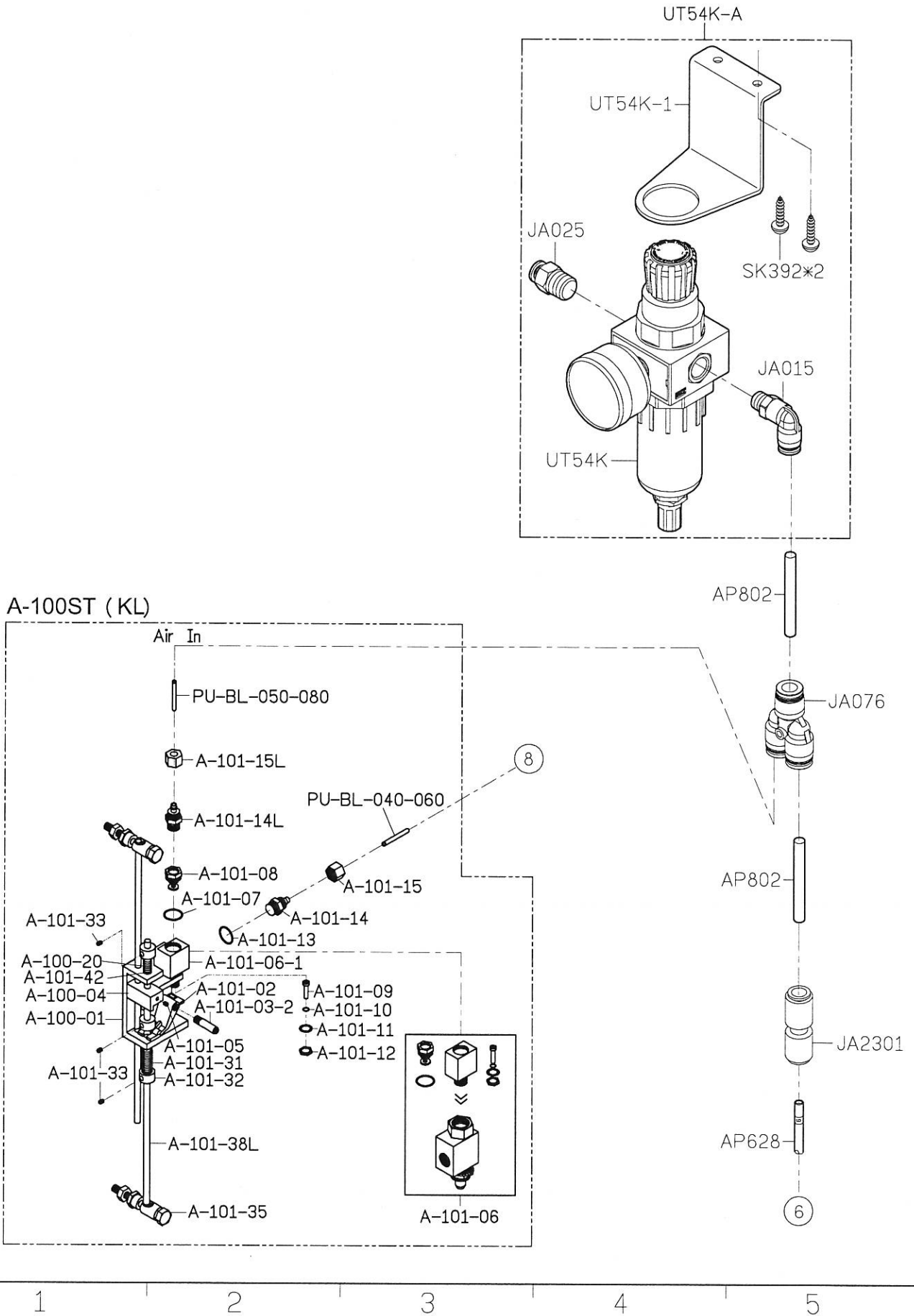
A

B

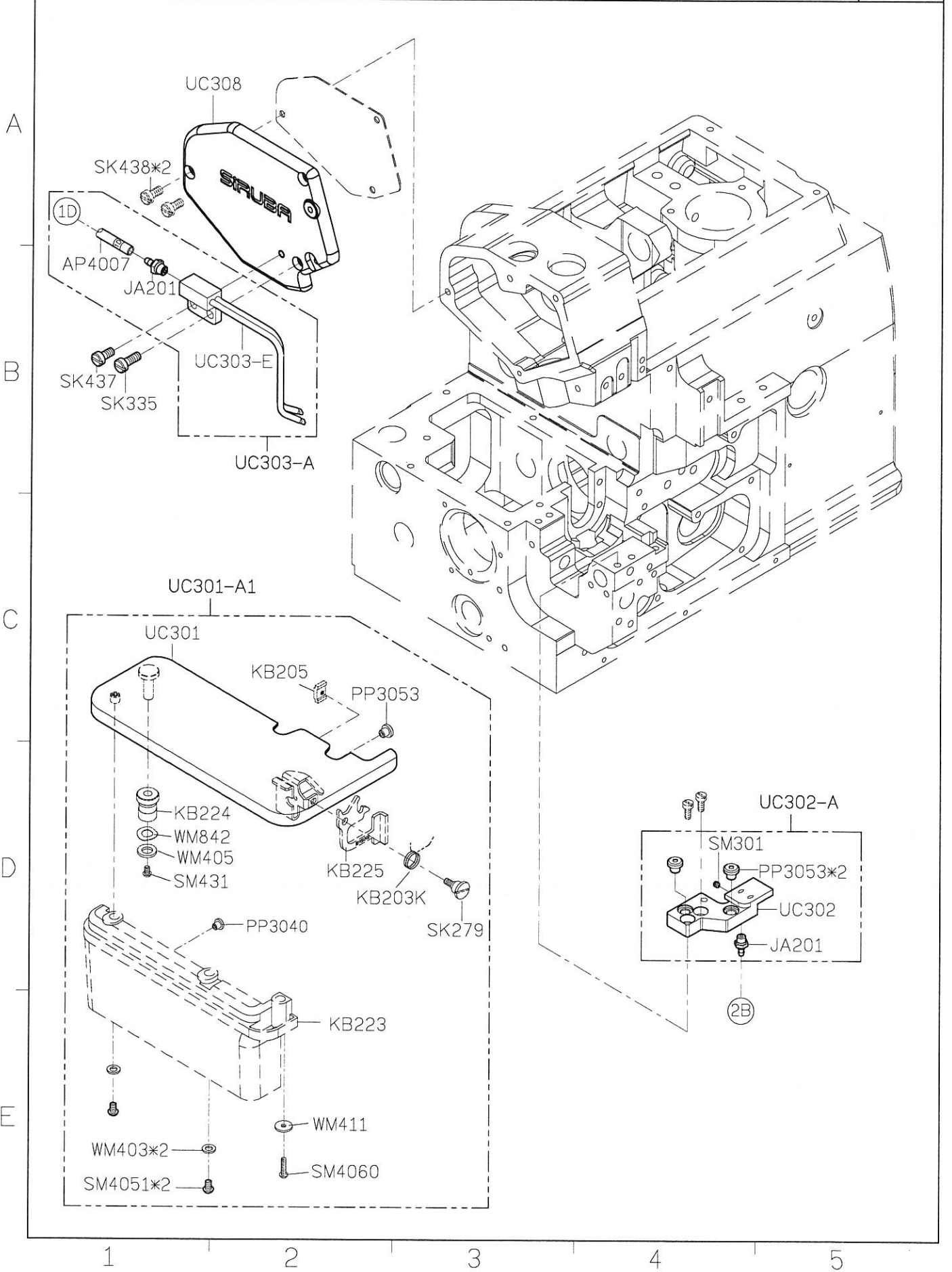
C

D

E

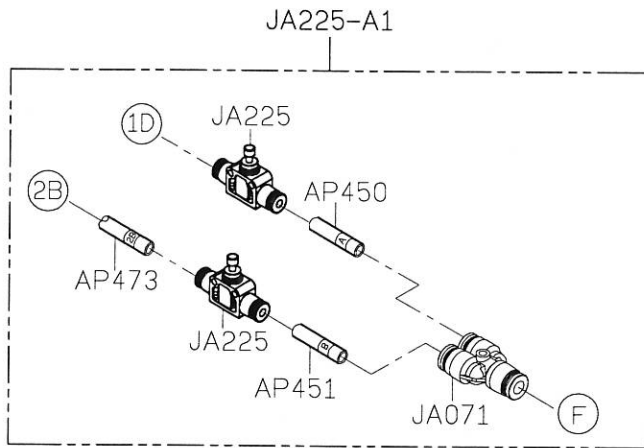


<b>SIRUBA</b> PARTS LIST	Series	Parts Group	Subclass / Remark	Page
	<b>700K/700L</b>	<b>UC-L3</b>	*機械式 *不含VT組及吸布屑組 *無抬押腳組 *FOR 外捲	1/2
				Date
				2020/04/27

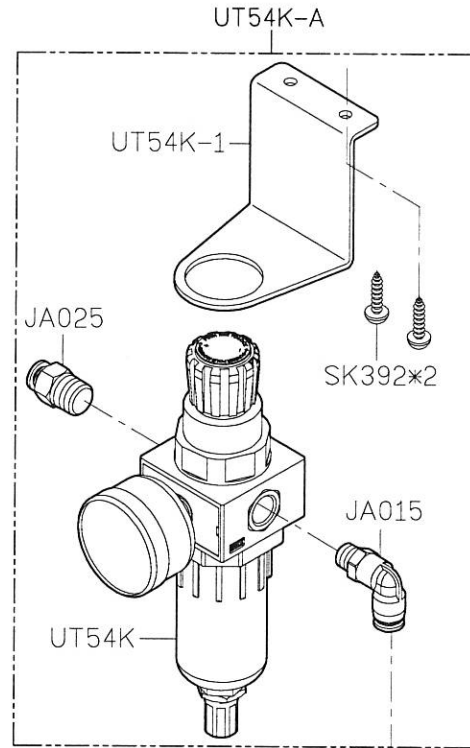


<b>SIRUBA</b> PARTS LIST	Series	Parts Group	Subclass / Remark	Page
	<b>700K/700L</b>	<b>UC-L3</b>	*機械式 *不含VT組及吸布屑組 *無抬押腳組 *FOR 外捲	2/2
				Date
				2020/04/27

A

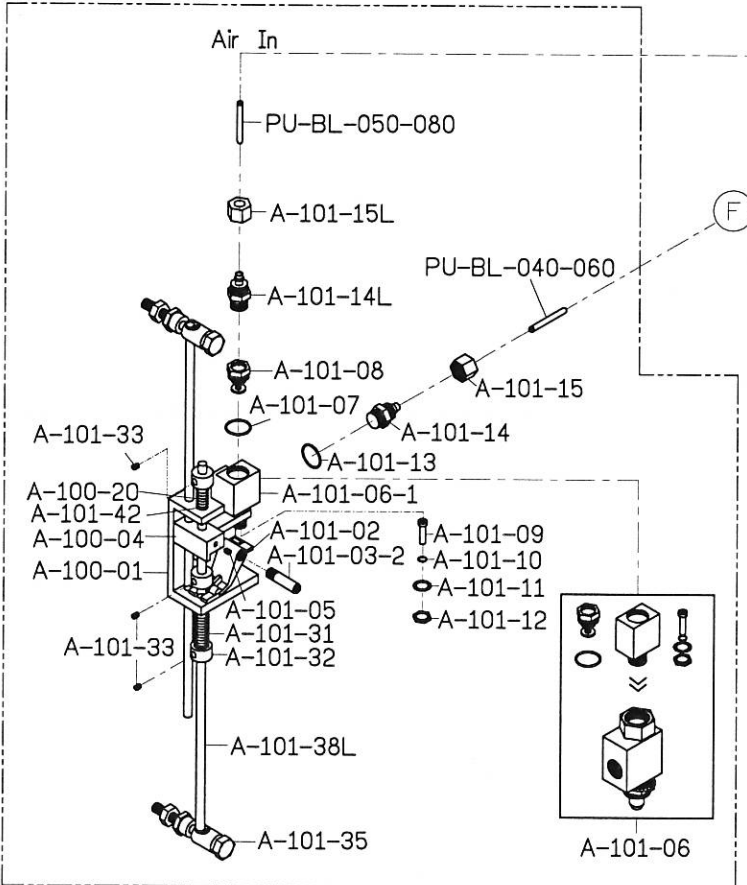


B



C

A-100ST (KL)



D

E

1

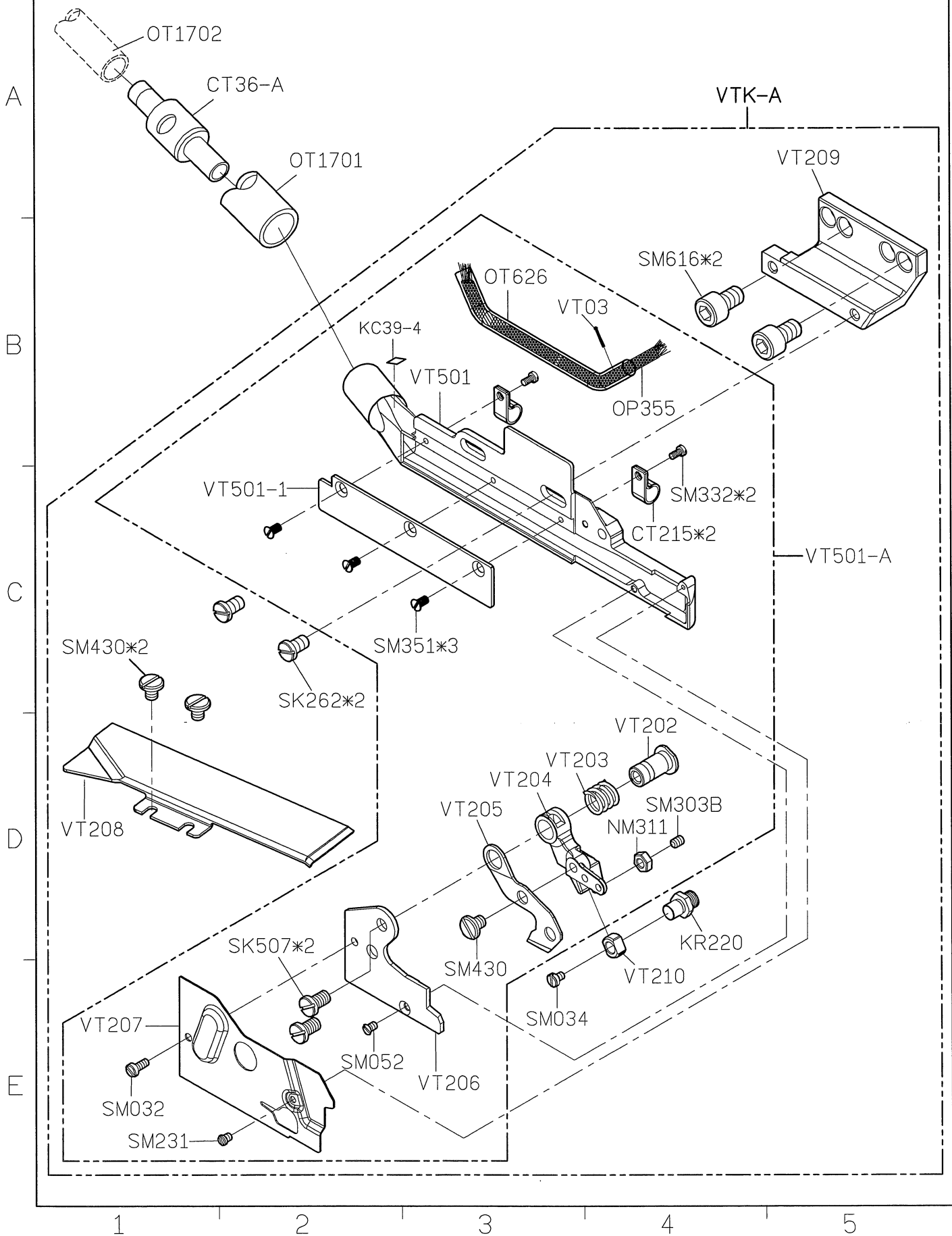
2

3

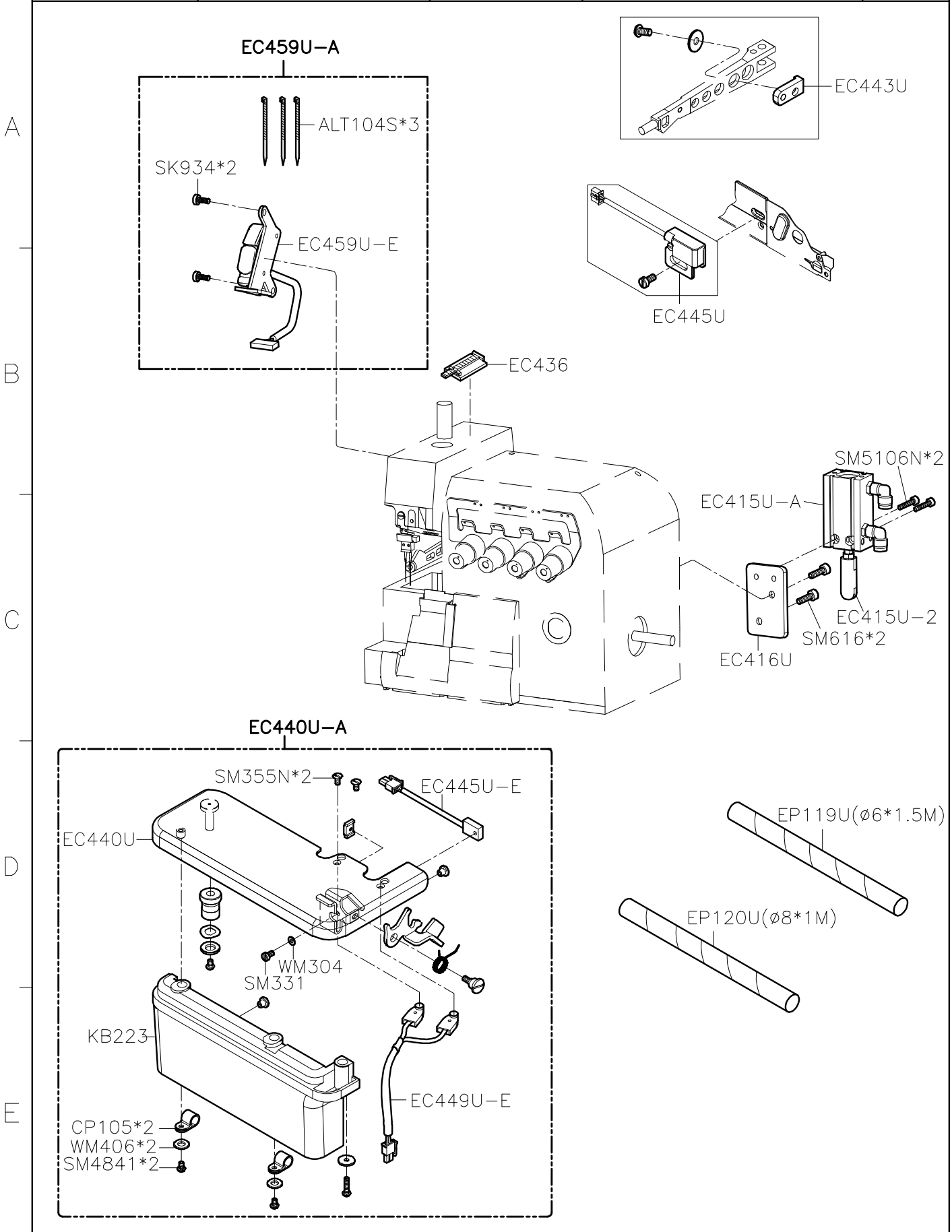
4

5

<b>SIRUBA</b> PARTS LIST	Series	Parts Group	Subclass / Remark	Page
	700K/700KD	<b>VT-K</b>		1/1
	988/988D			Date
				2017/04/27



SIRUBA PARTS LIST	Series	Parts Group	Subclass / Remark	Page
	700K	VTE-U		1/5
	700L			Date
				2023/08/30



1

2

3

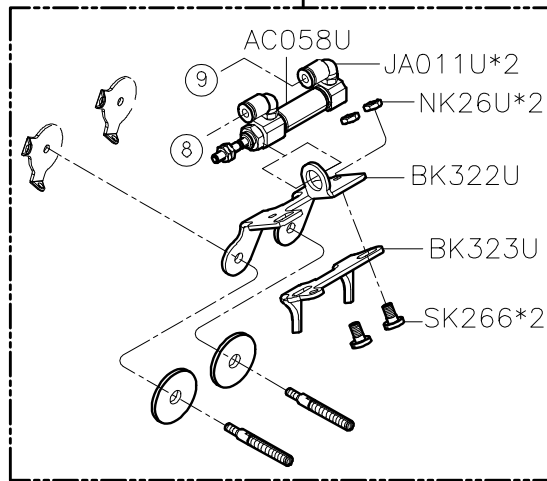
4

5

SIRUBA PARTS LIST	Series	Parts Group	Subclass / Remark	Page
	700K	VTE-U		2/5
	700L			Date
				2022/11/02

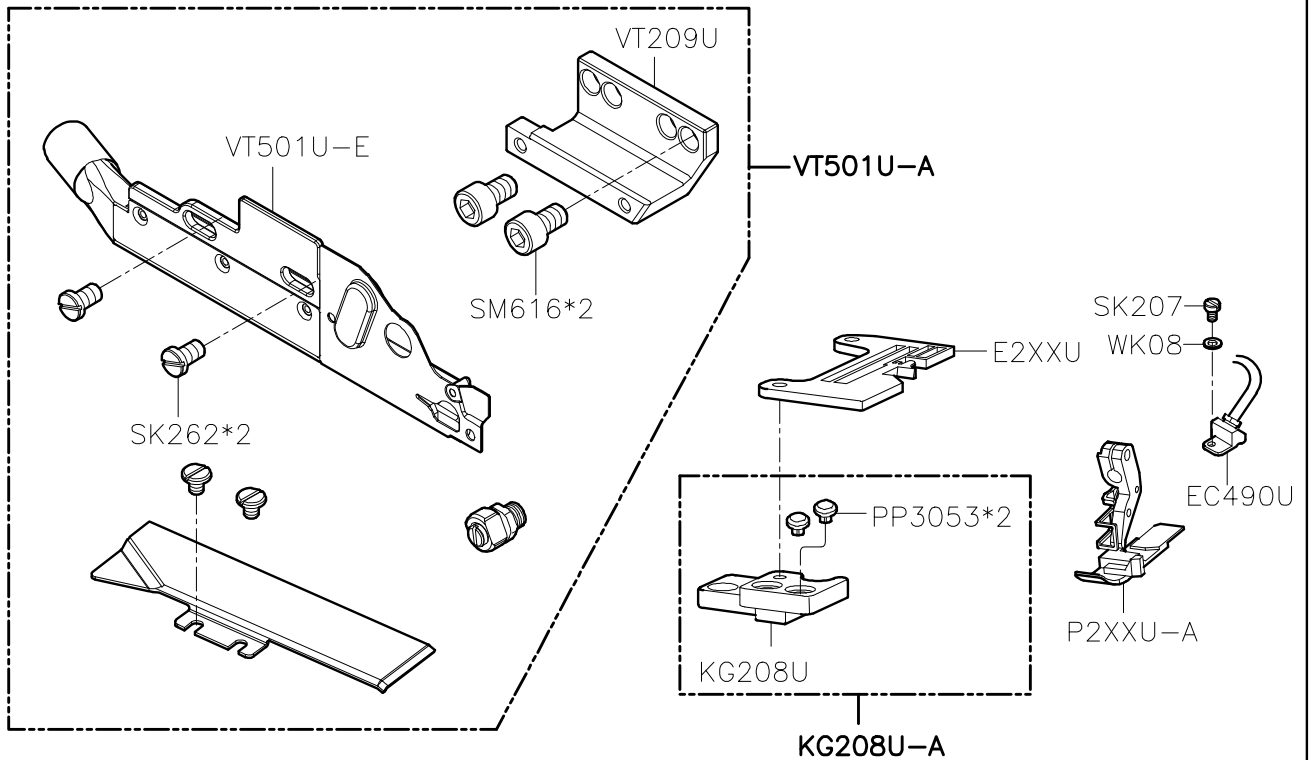
A

BK322U-E



B

C



D

E

1

2

3

4

5

SIRUBA PARTS LIST	Series	Parts Group	Subclass / Remark	Page
	700K 700L	VTE-U	△FOR 700K用 *FOR 700L用	3/5
				Date
				2022/11/03

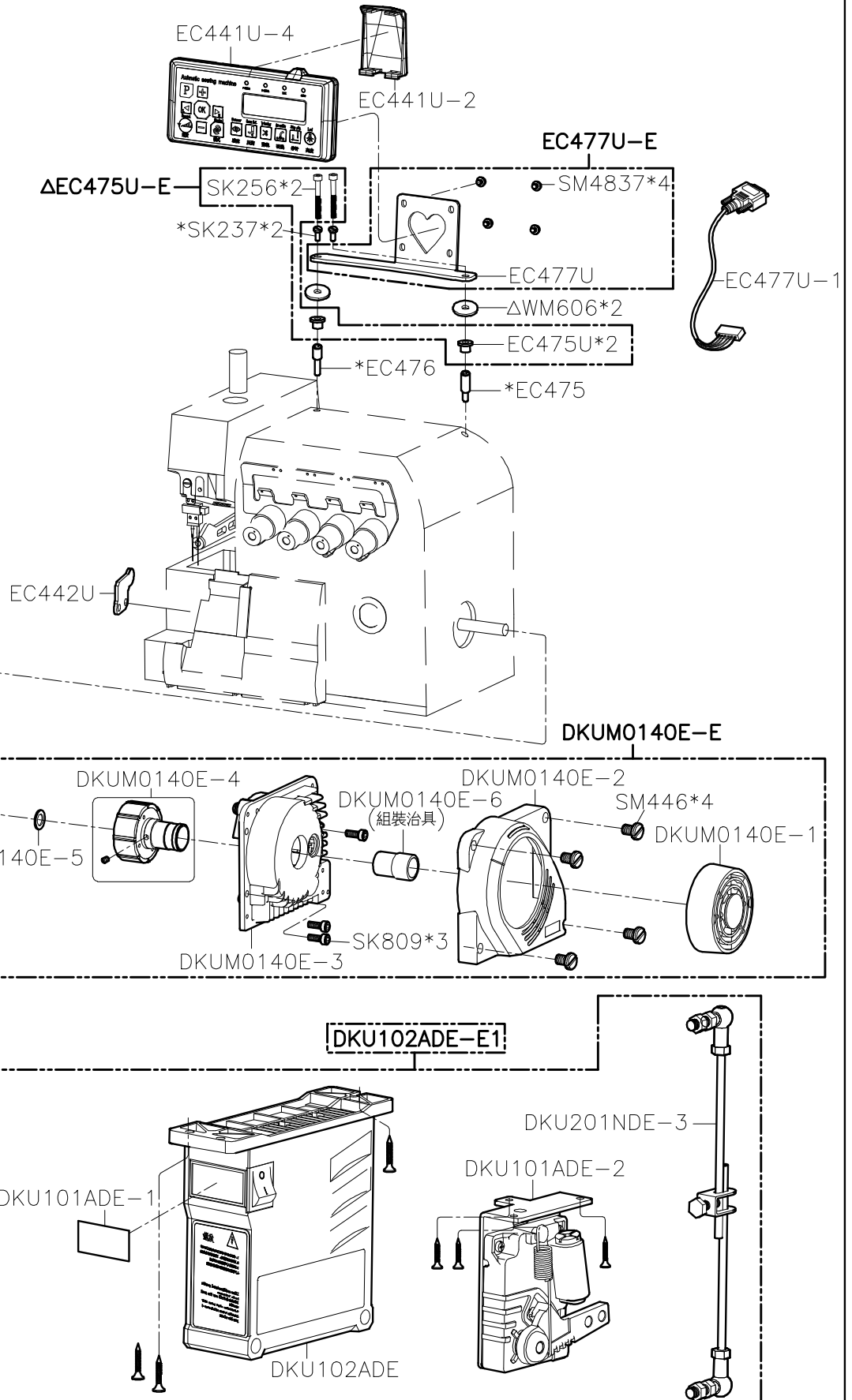
A

B

C

D

E



1

2

3

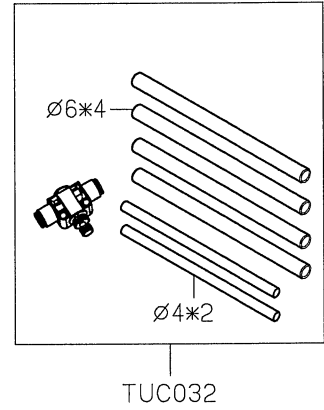
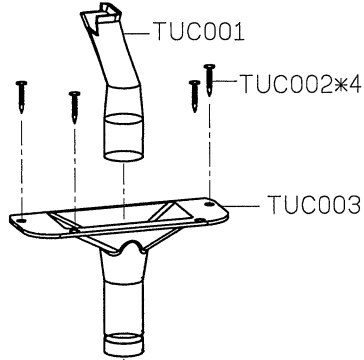
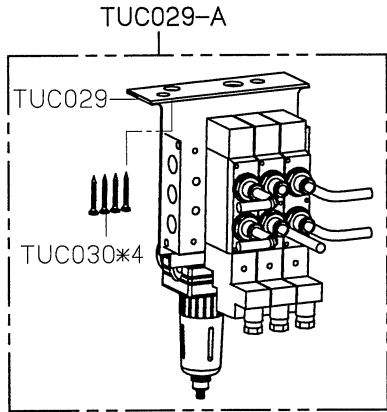
4

5

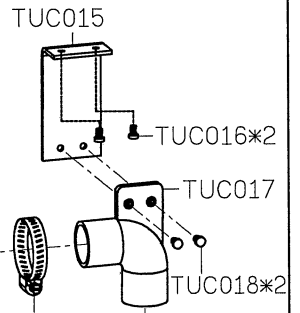
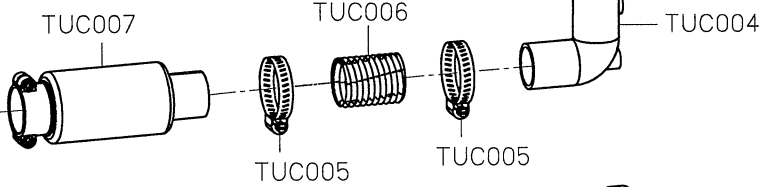
SIRUBA PARTS LIST	Series	Parts Group	Subclass / Remark	Page
	700K	VTE-U		4/5
	700L			Date
				2020/03/30

TUC-03

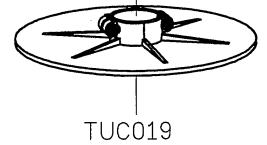
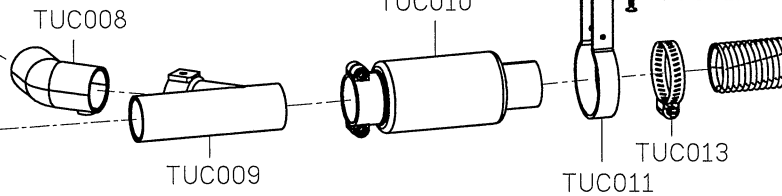
A



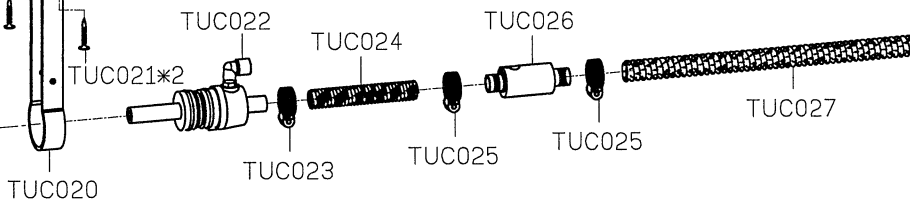
B



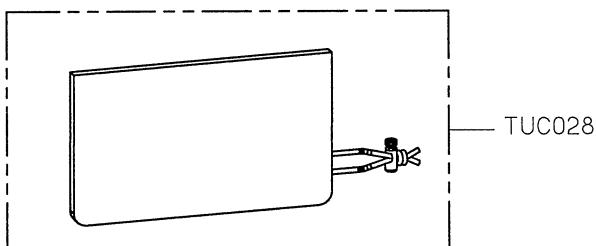
C



D



E



1

2

3

4

5



SIRUBA PARTS LIST	Series	Parts Group	Subclass / Remark	Page
	700K/988	WR-K		1/1
				Date
				2021/11/26

