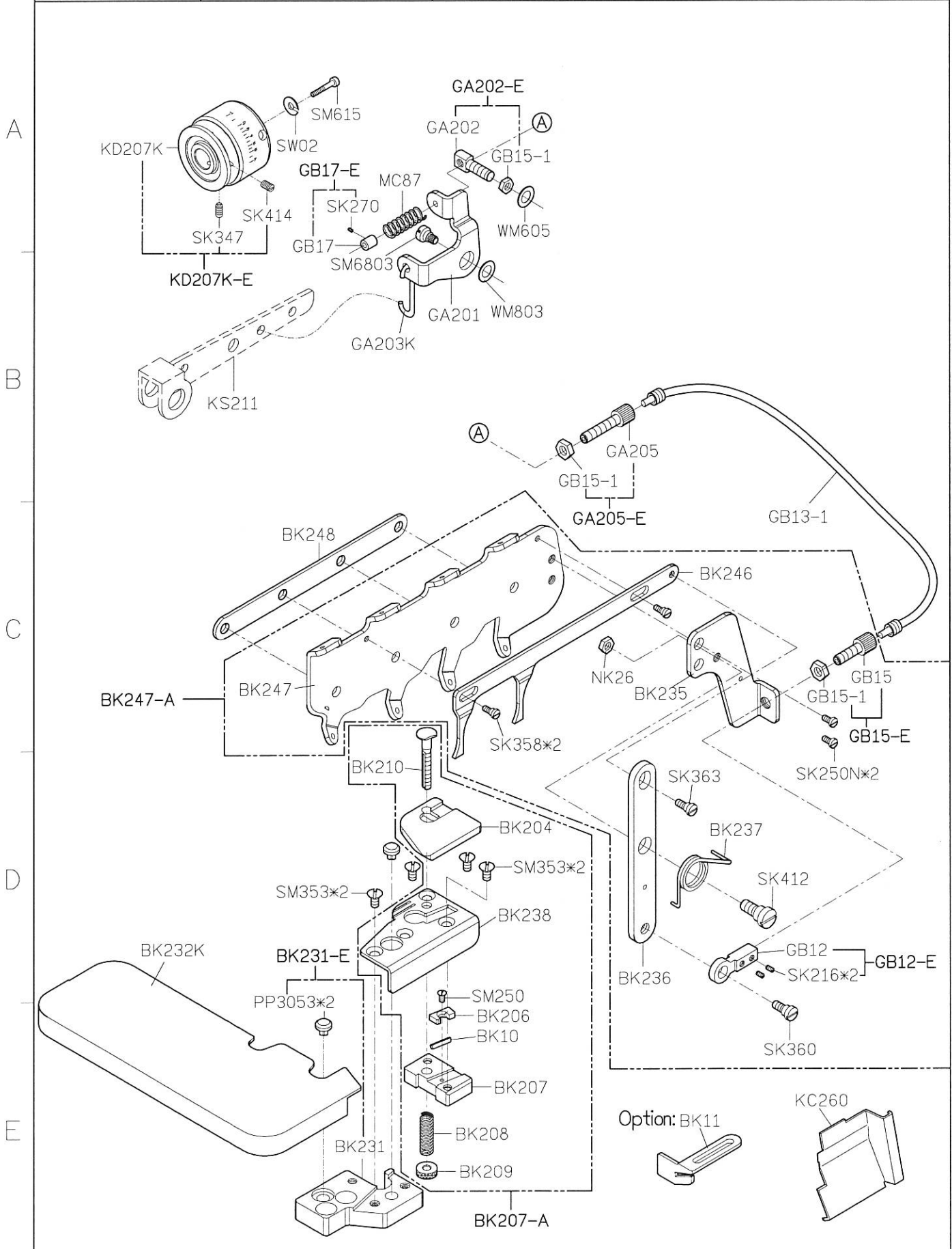


SiRUBA PARTS LIST	Series	Parts Group	Subclass / Remark	Page
	700L	BK-KJ		1/1
				Date
				2018/8/27



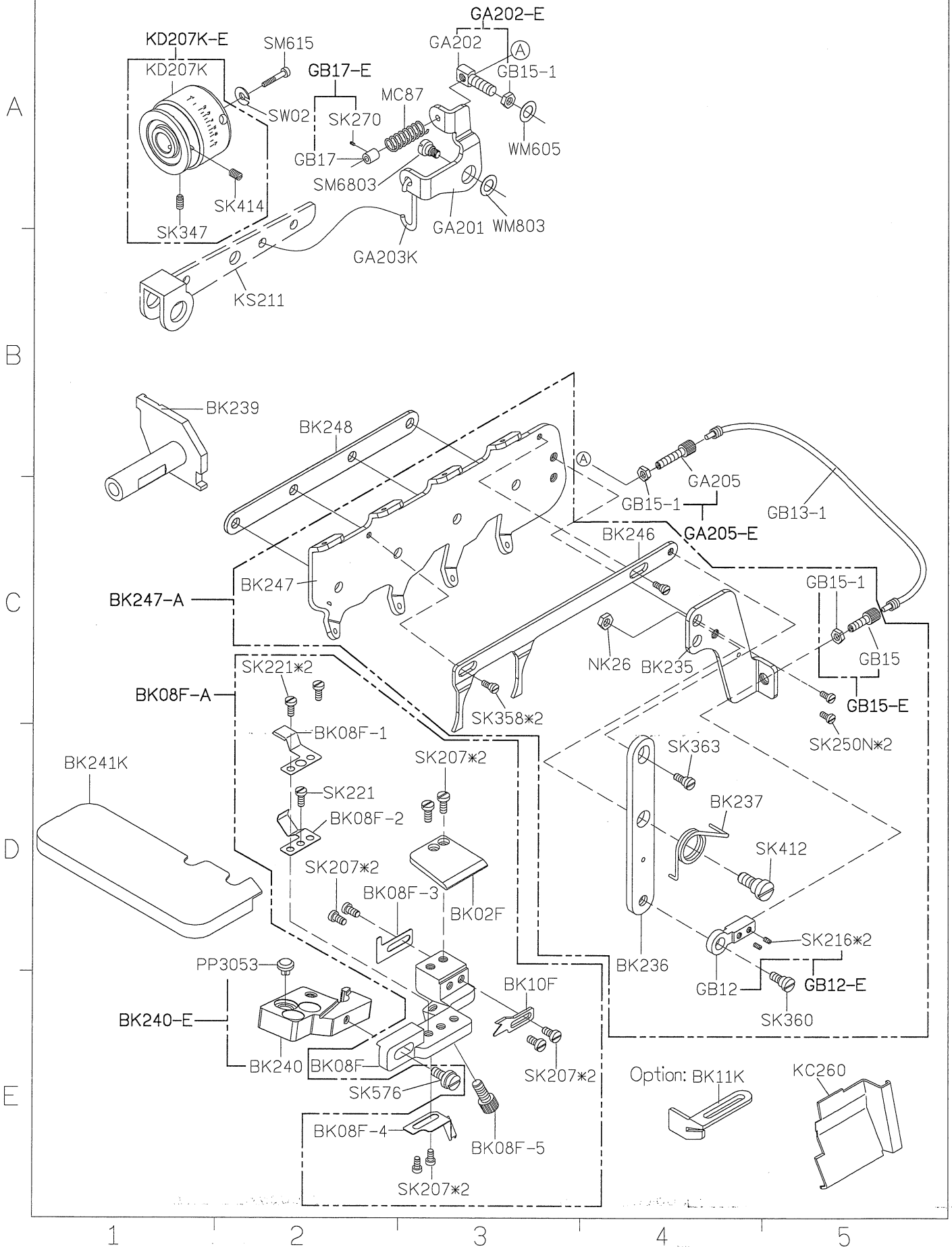
1

2

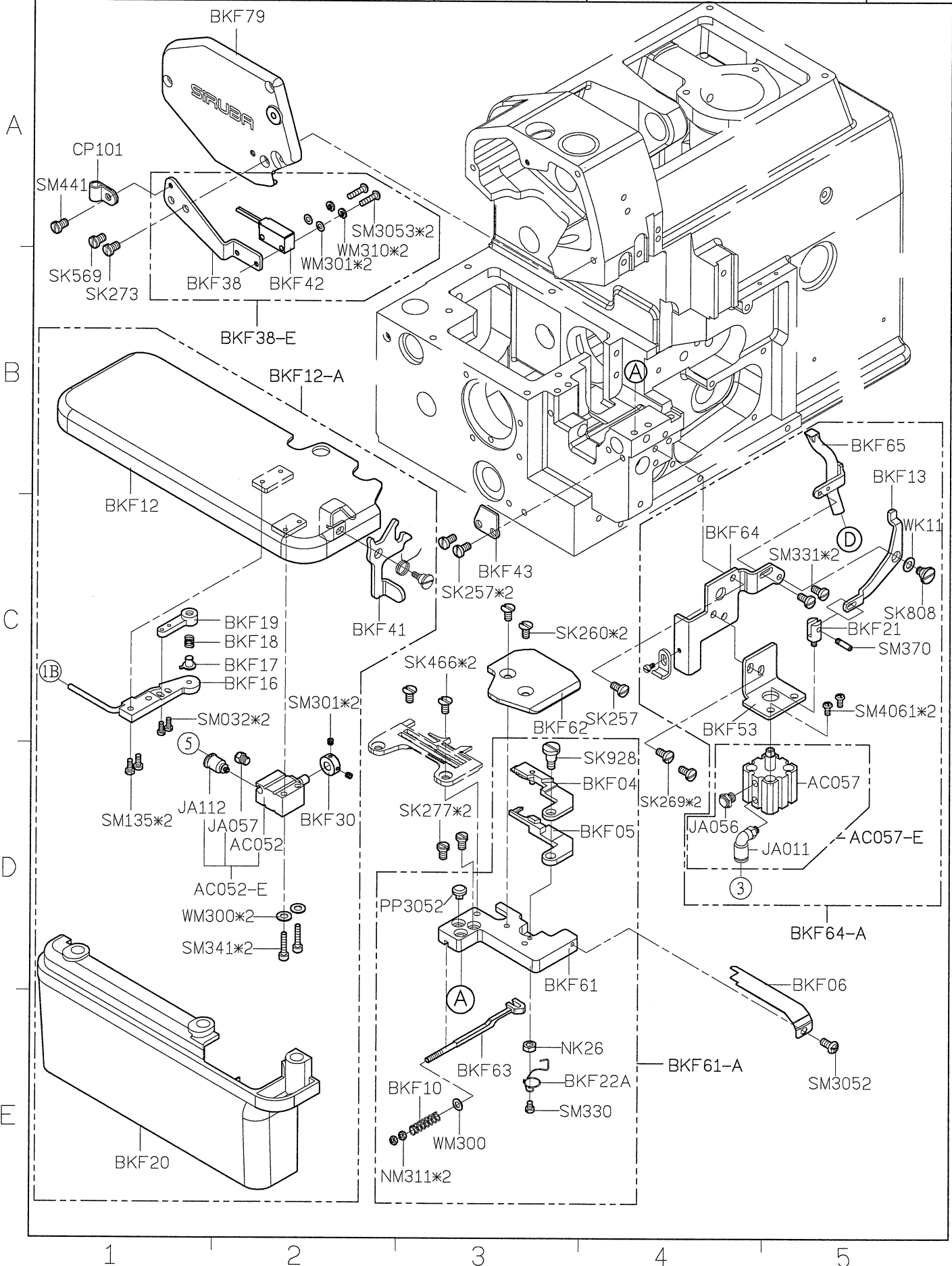
3

4

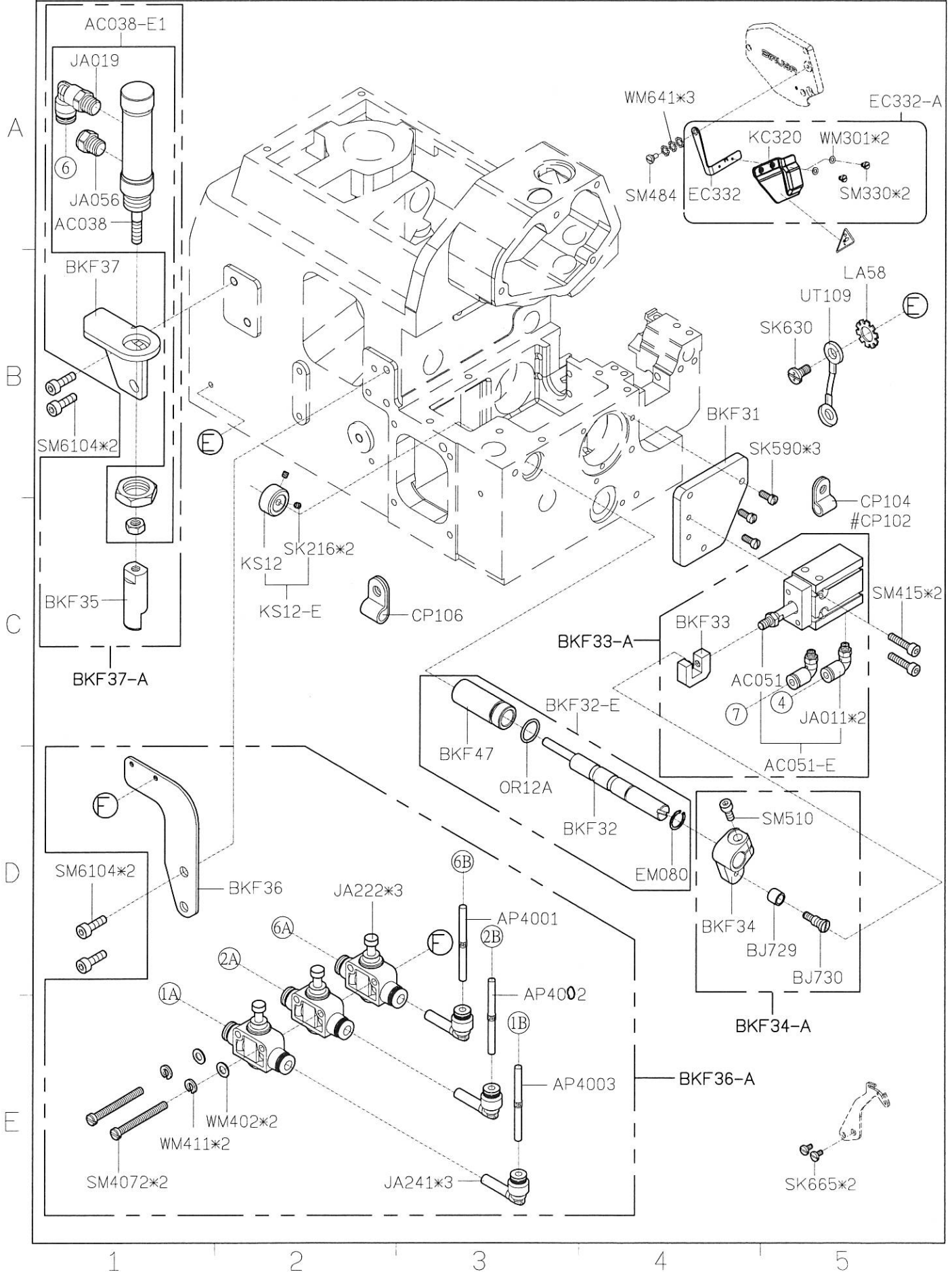
5



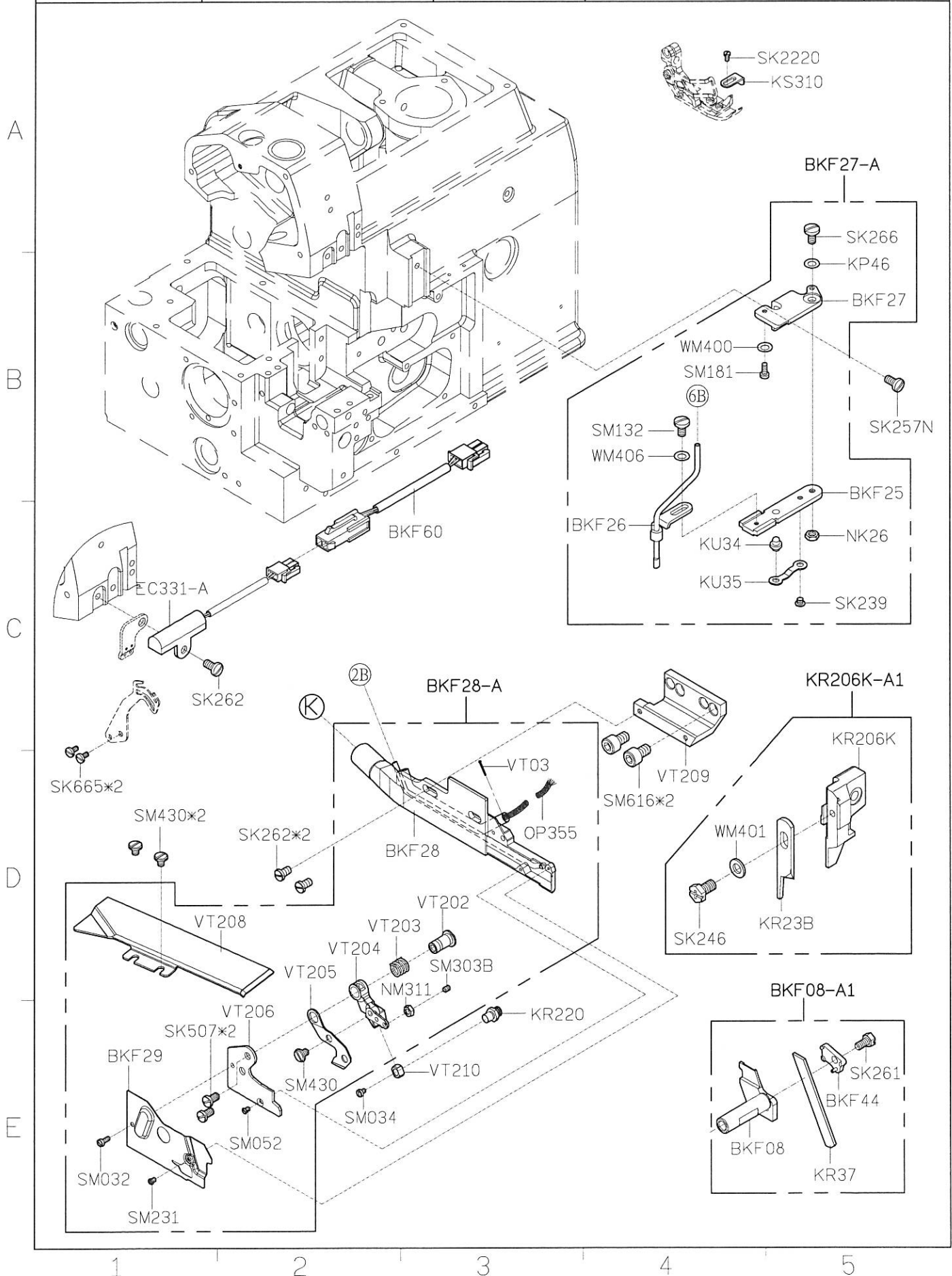
PARTS LIST	Series	Parts Group	Subclass / Remark	Page
	700L	BKF	For 737L	1/11
				Date
				2022/01/11



SiRUBA PARTS LIST	Series	Parts Group	Subclass / Remark	Page
	700L	BKF	# For 737L	3/11
				Date
				2022/06/16



SIRUBA PARTS LIST	Series	Parts Group	Subclass / Remark	Page
	700L	BKF	* For 747L	4/11
				Date
				2022/06/16



SIRUBA PARTS LIST	Series	Parts Group	Subclass / Remark	Page
	700L	BKF	For 737L	5/11
				Date
				2022/08/04

KC201L-B3

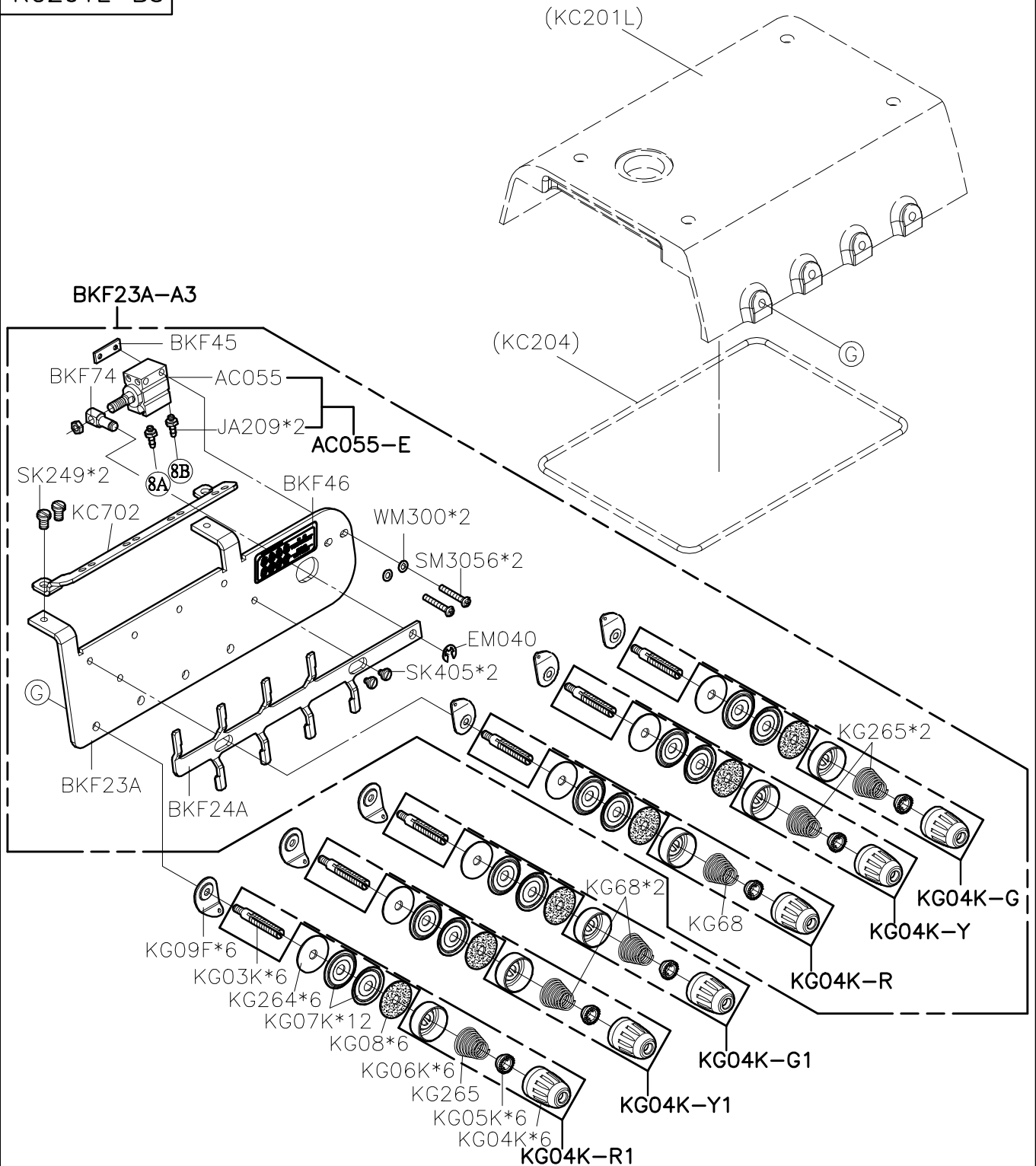
A

B

C

D

E



1

2

3

4

5

SIRUBA PARTS LIST	Series	Parts Group	Subclass / Remark	Page
	700L	BKF	For 747L	6/11
				Date
				2022/08/04

KC201L-B4

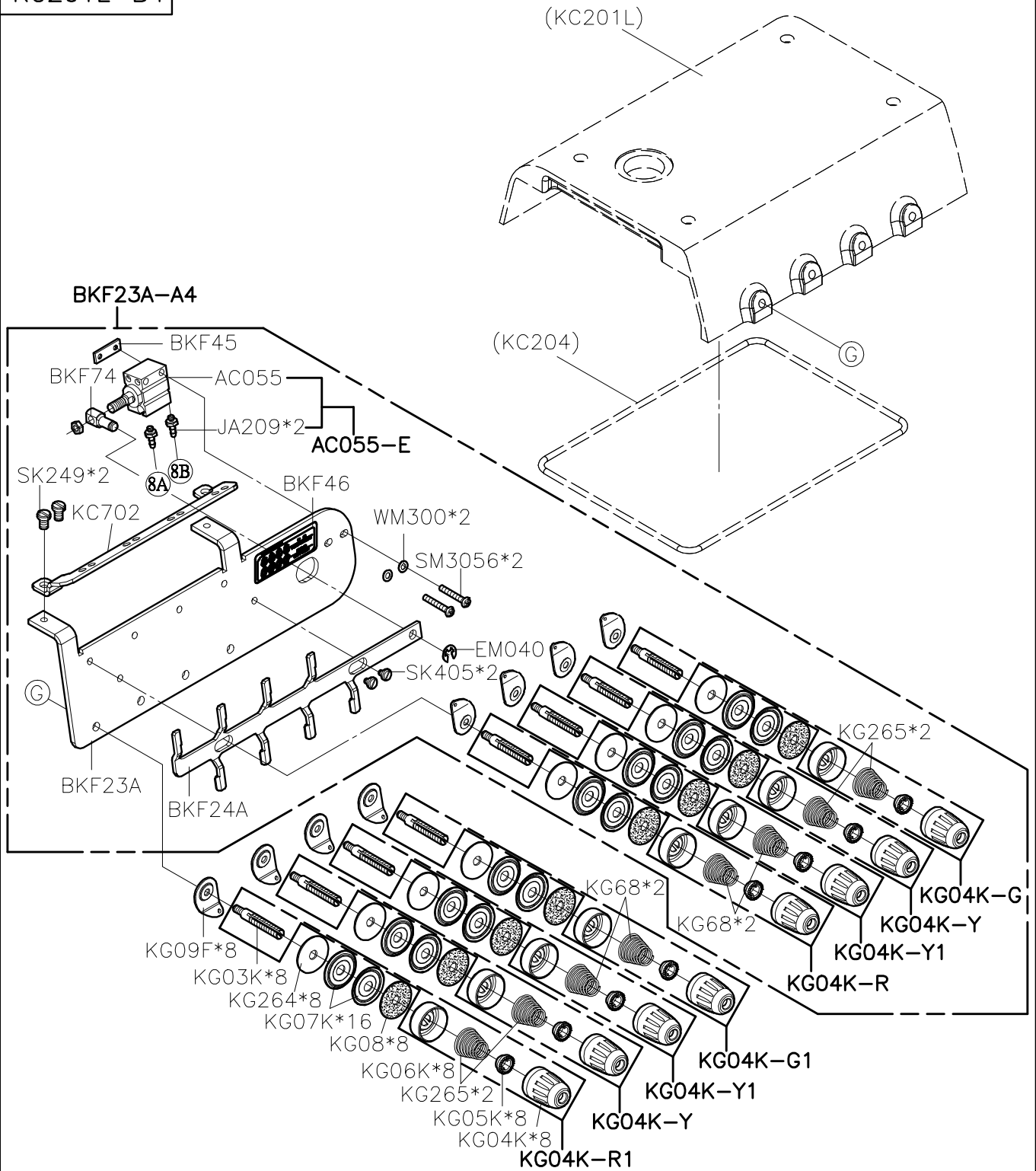
A

B

C

D

E



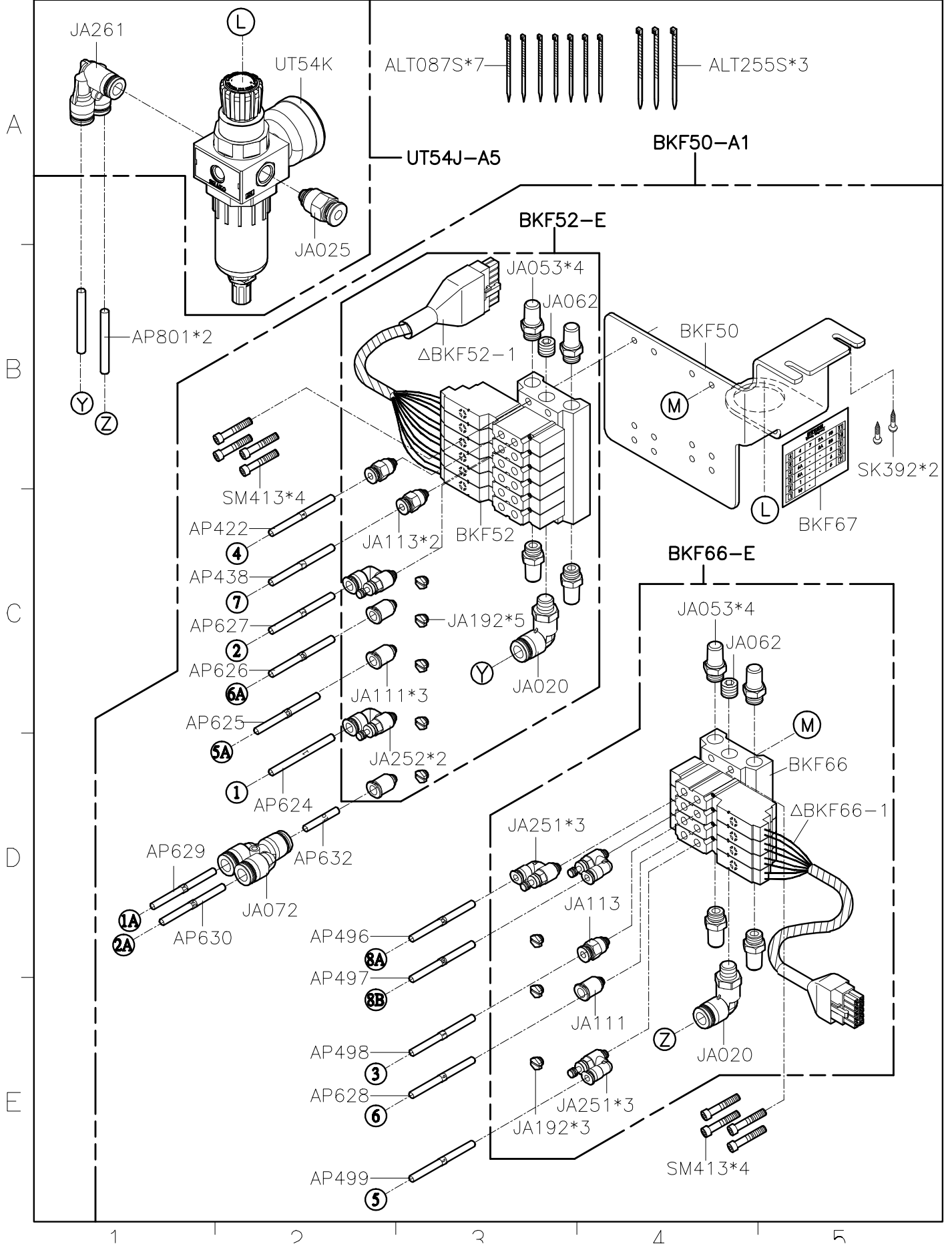
1

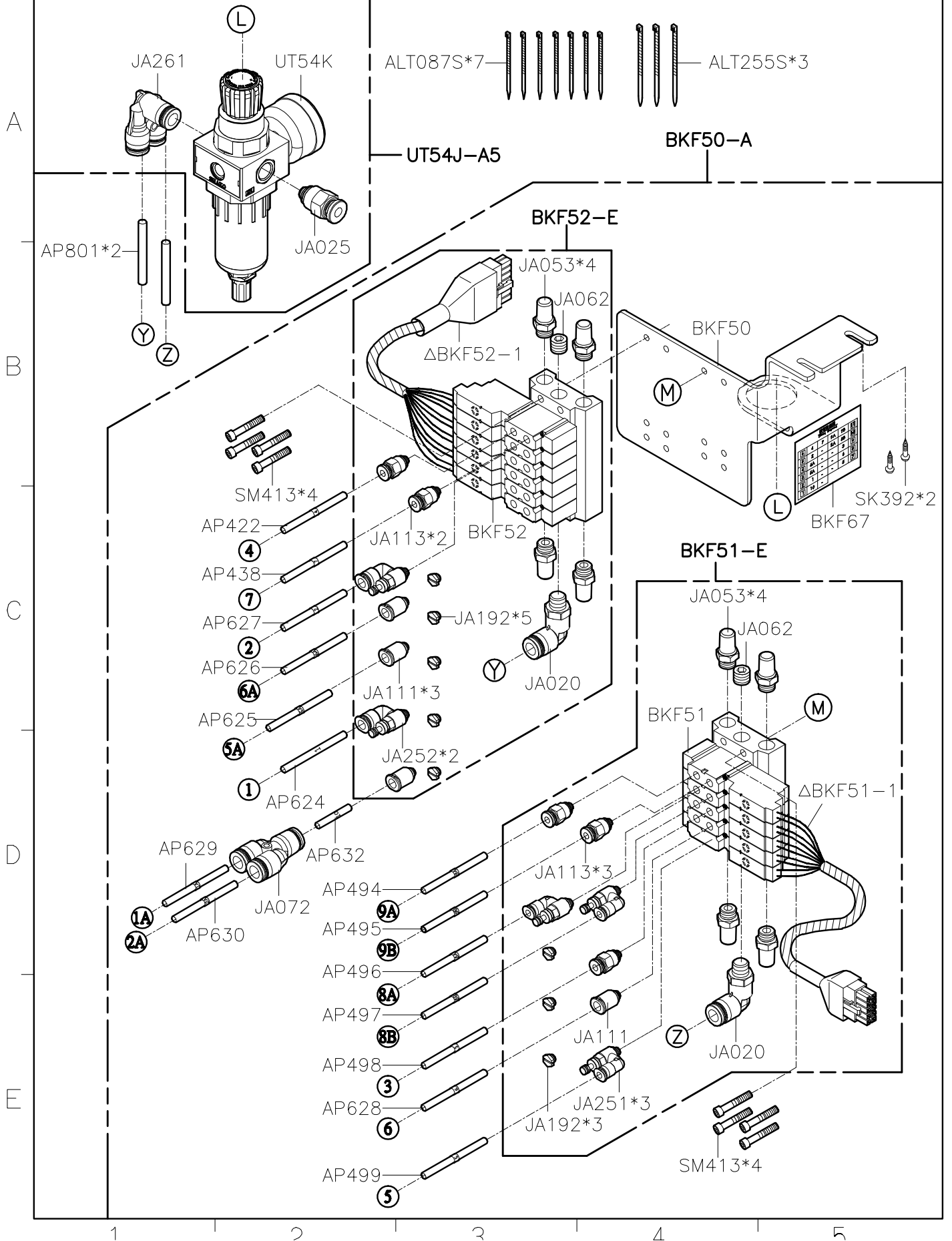
2

3

4

5



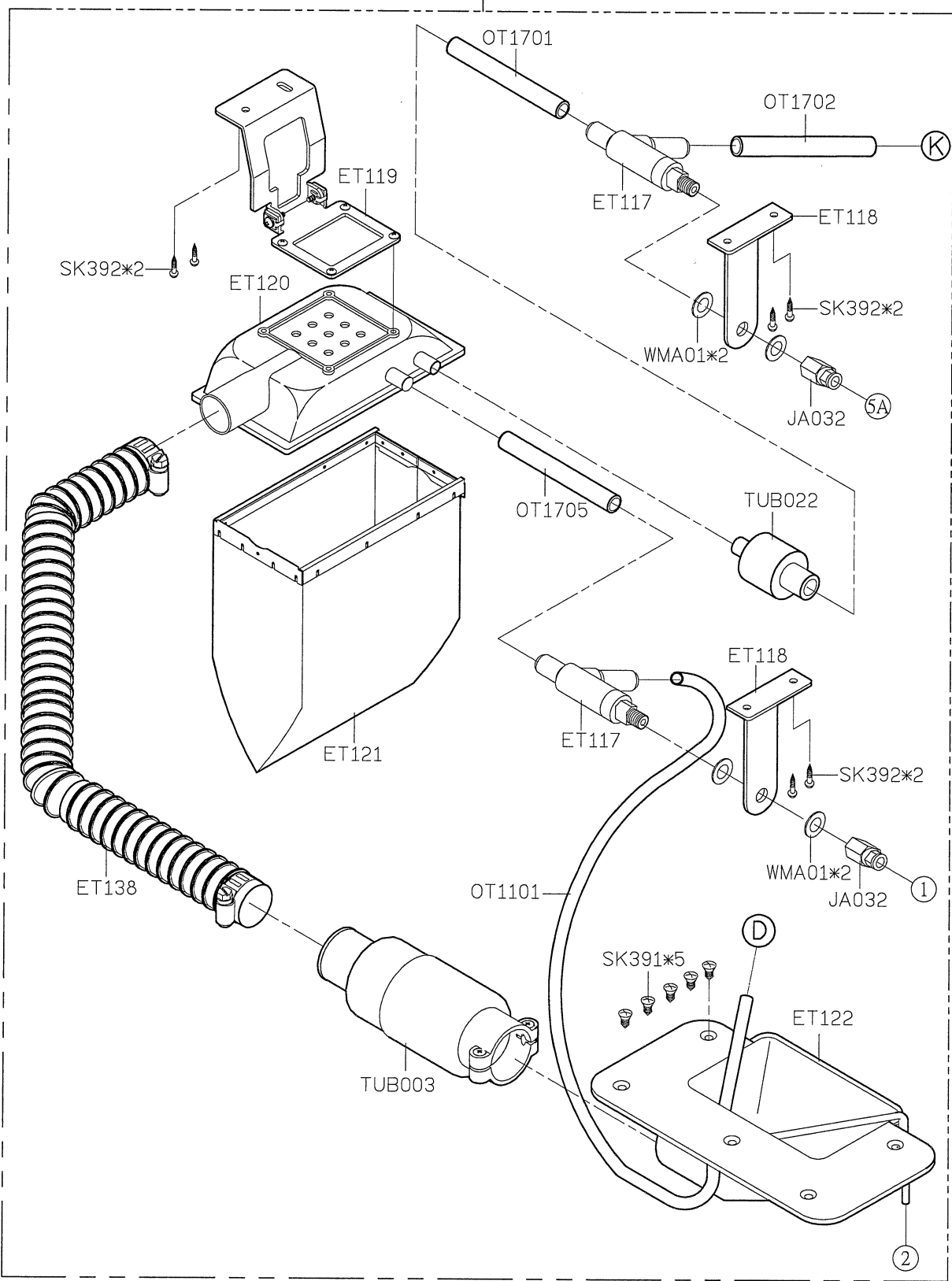


SIRUBA PARTS LIST	Series	Parts Group	Subclass / Remark	Page
	700L	BKF		9/11
				Date
				2022/01/11

DKH301ADN-A
@DKH301ADE-A

ET119-A1

A
B
C
D
E



1 2 3 4 5

SIRUBA PARTS LIST	Series	Parts Group	Subclass / Remark	Page
	700L	BKF	@For CE	10/11
				Date
				2022/01/11

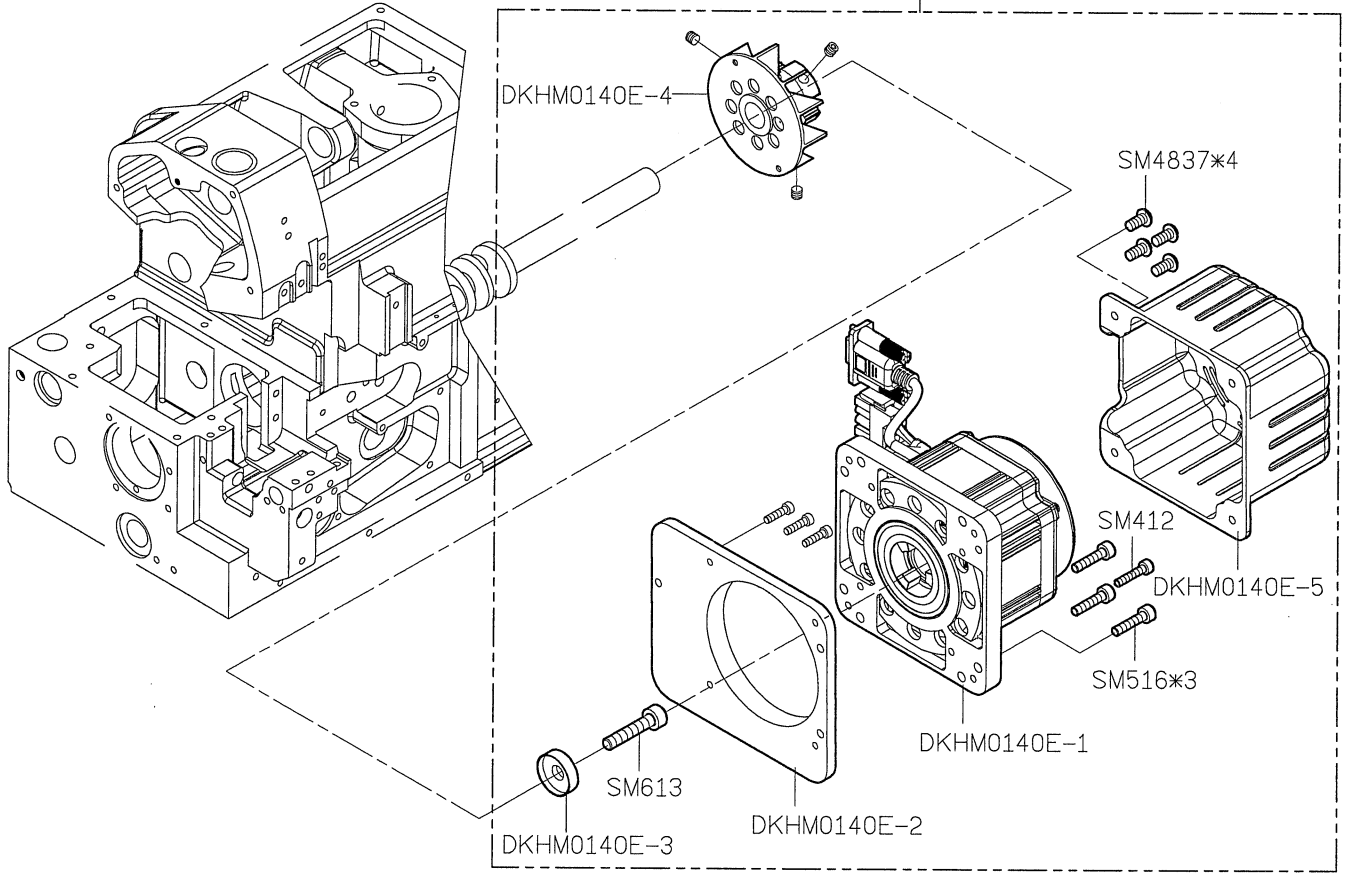
DKH301ADN-A
@DKH301ADE-A

DKHM0140E

A

B

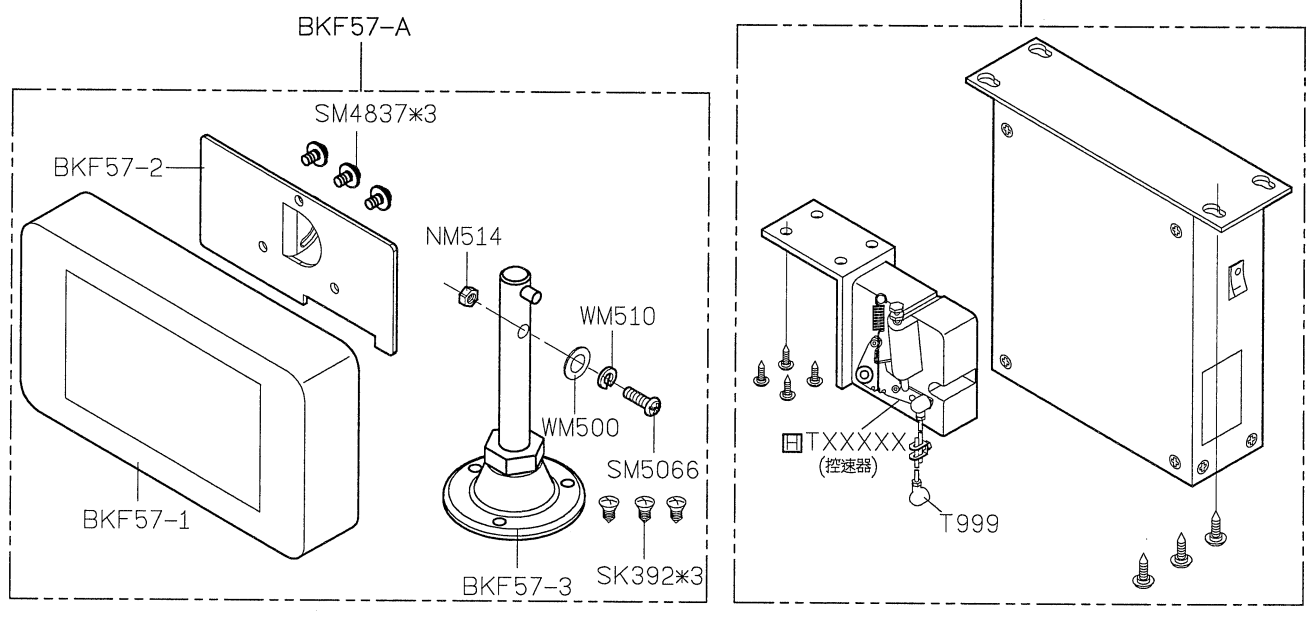
C



D

E

DKH301ADN
@DKH301ADE



1

2

3

4

5

SIRUBA PARTS LIST	Series	Parts Group	Subclass / Remark	Page
	700L	BKF		11/11
				Date
				2022/01/11

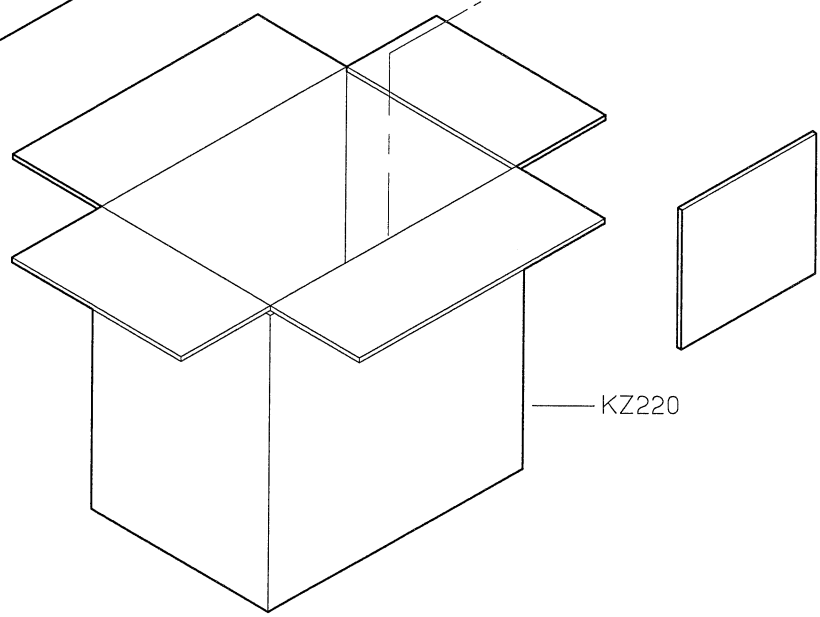
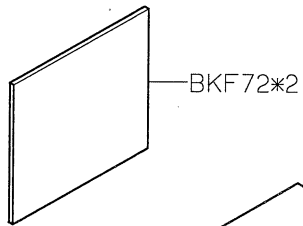
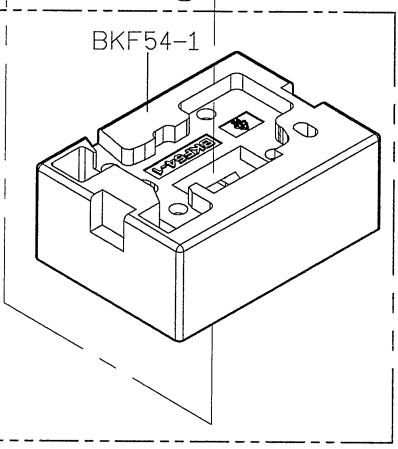
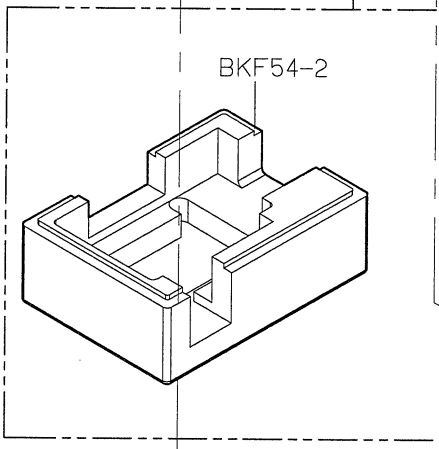
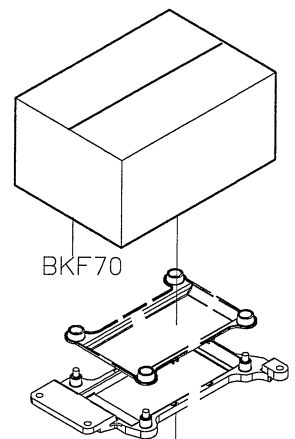
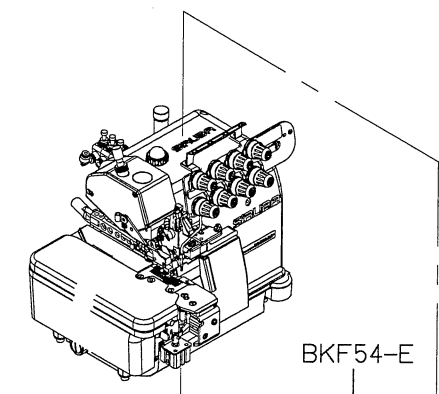
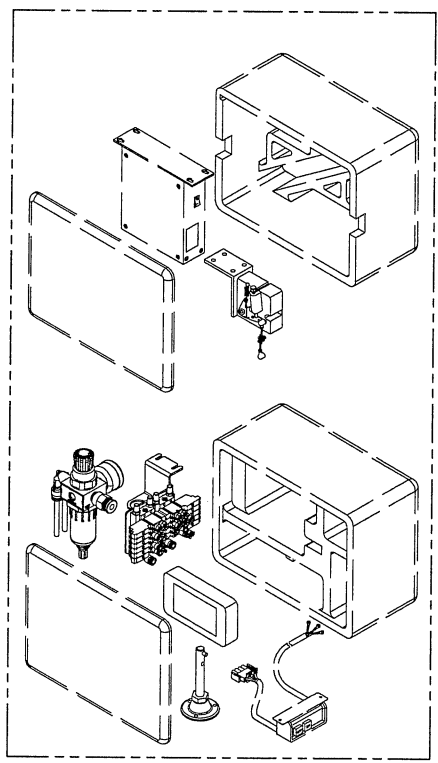
A

B

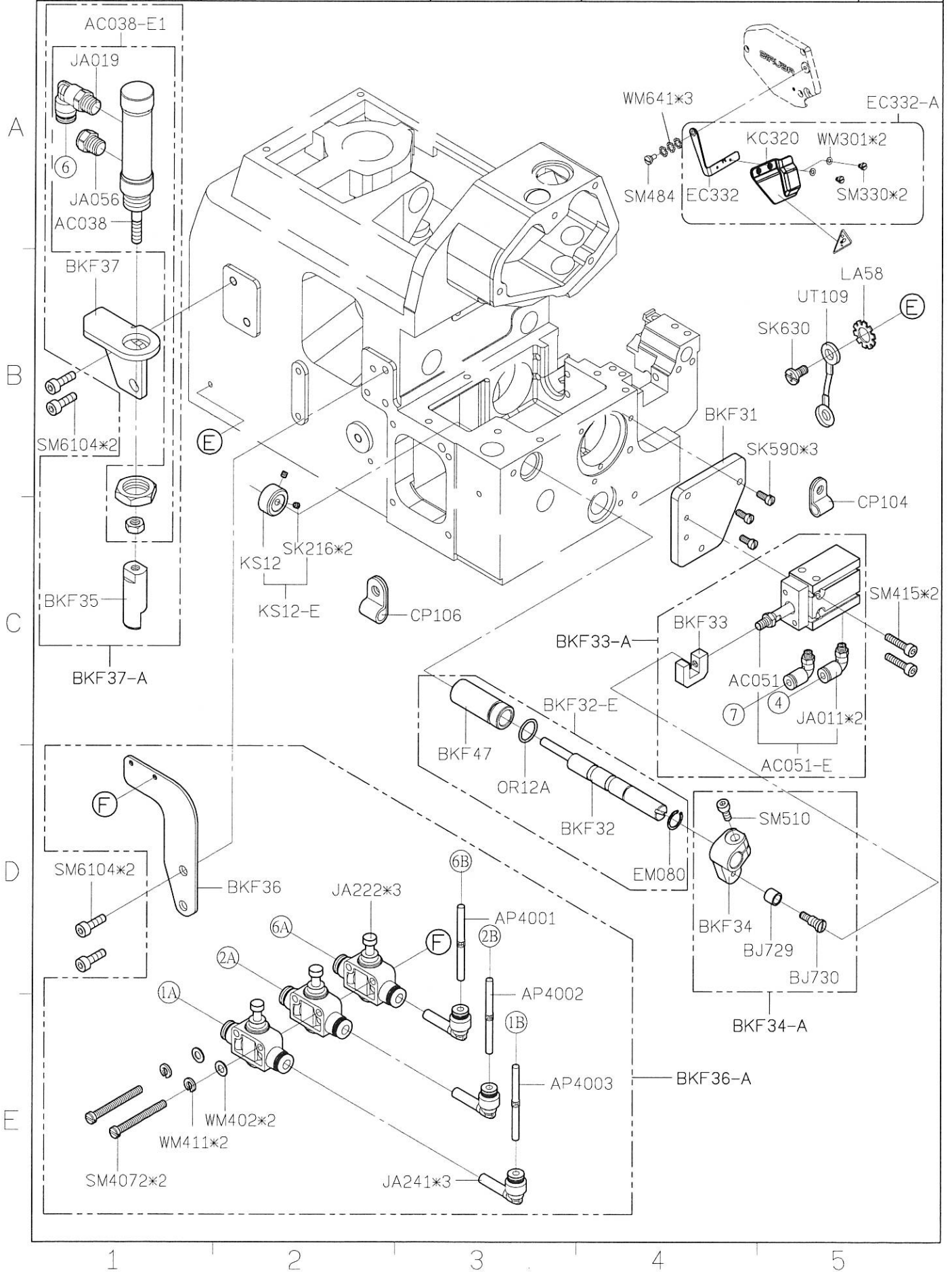
C

D

E



1 2 3 4 5



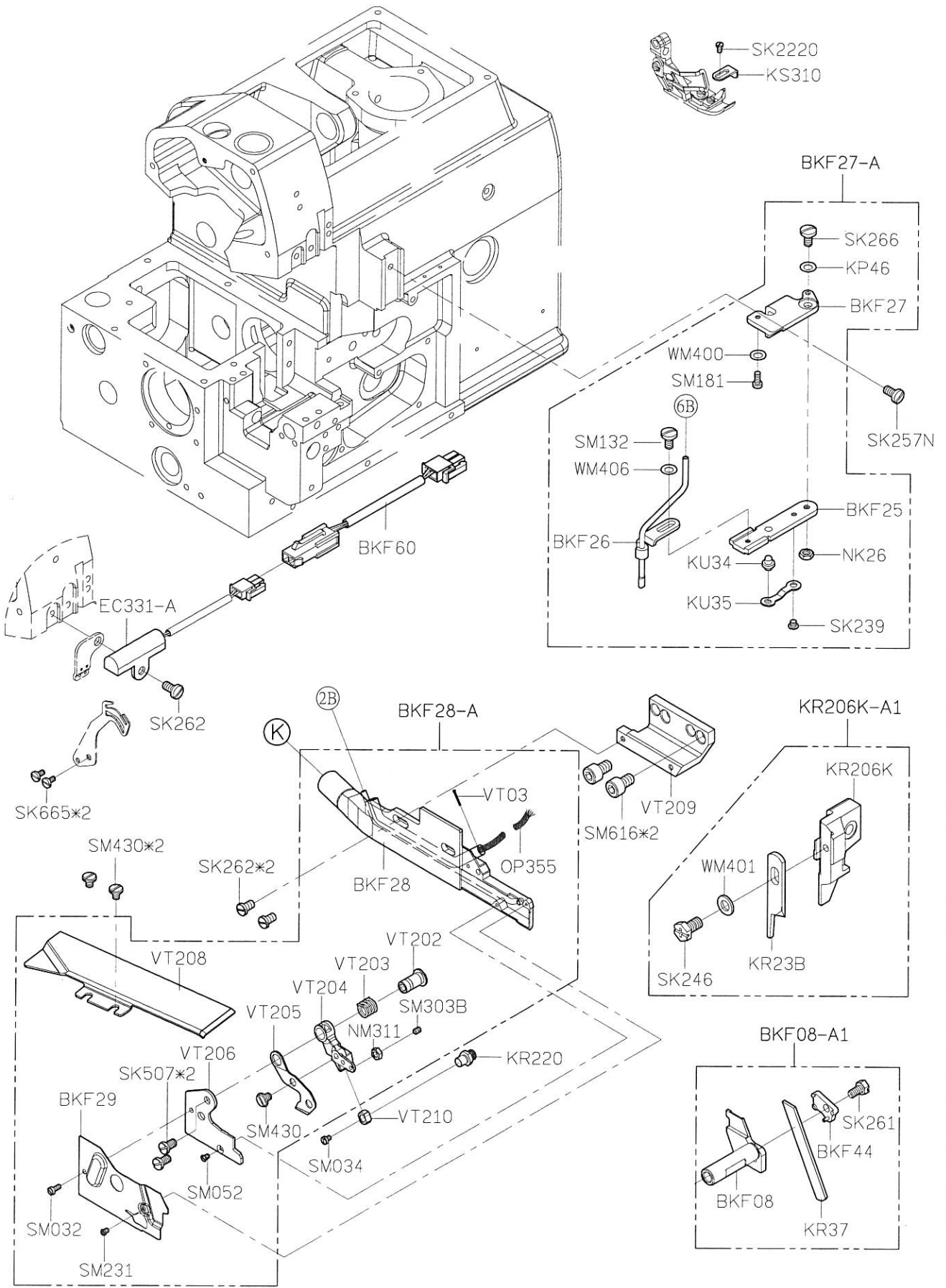
A

B

C

D

E



1

2

3

4

5

SIRUBA PARTS LIST	Series	Parts Group	Subclass / Remark	Page
	700L	BKF1		4/8
				Date
				2022/08/04

KC201L-B4

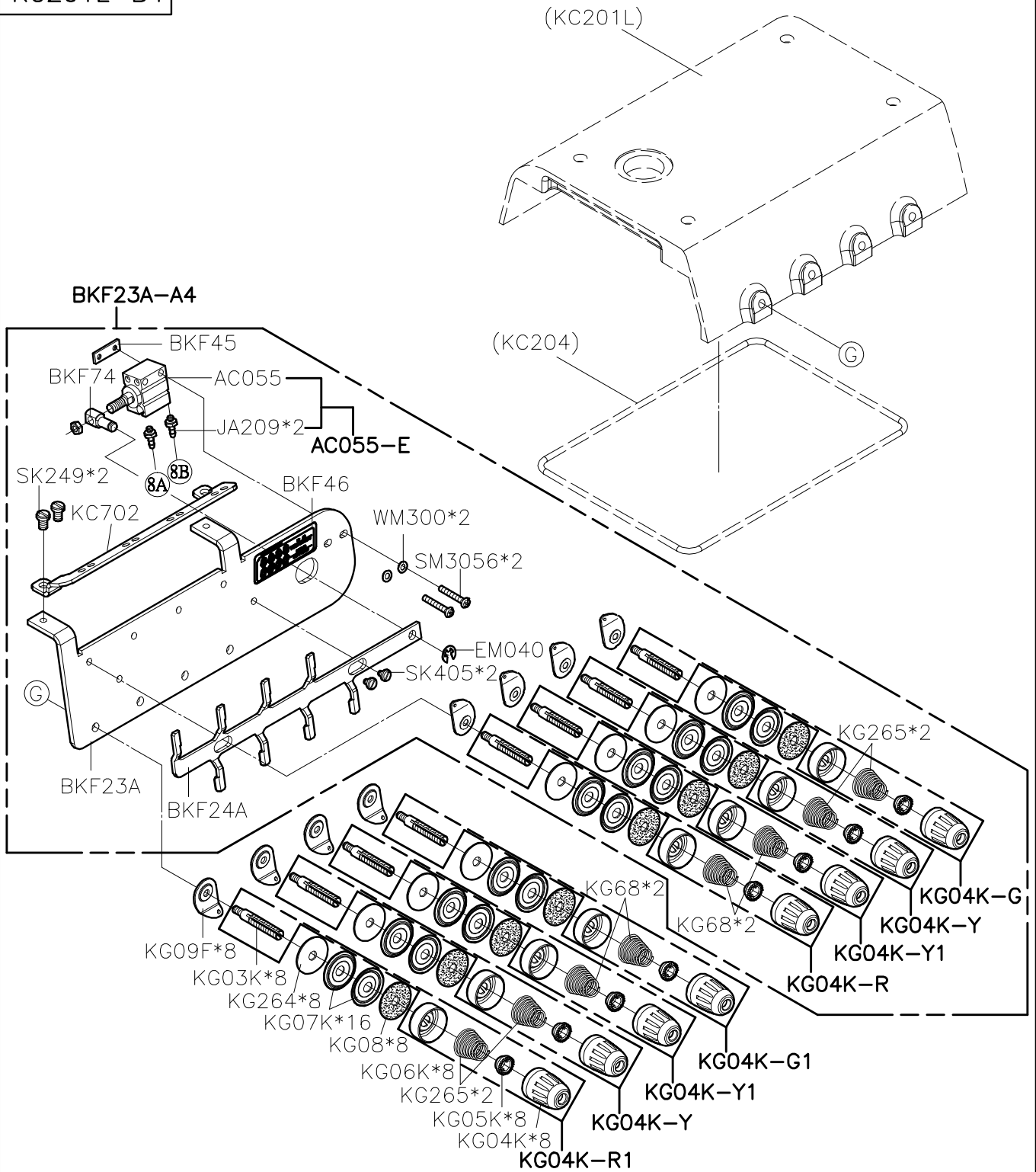
A

B

C

D

E



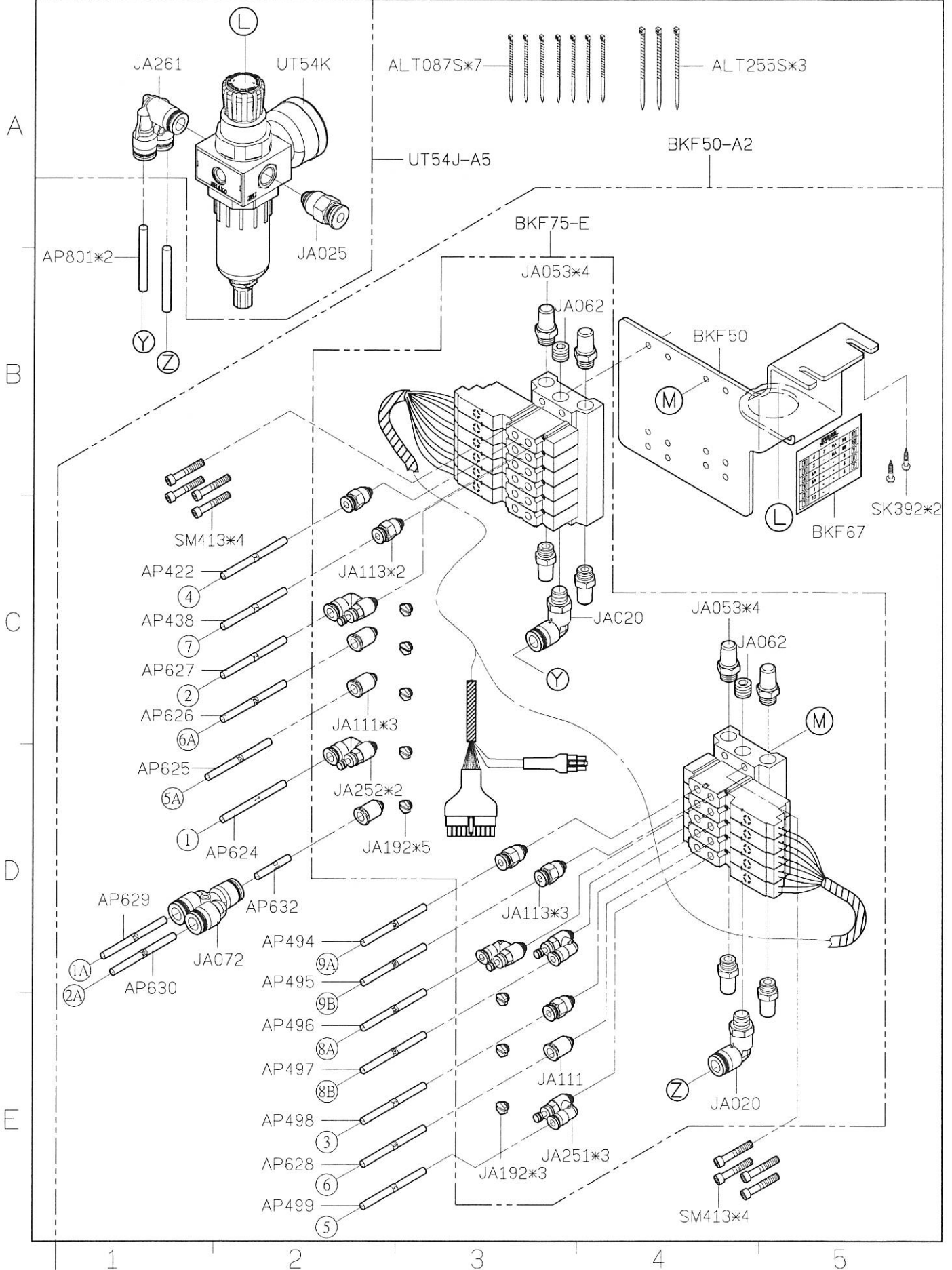
1

2

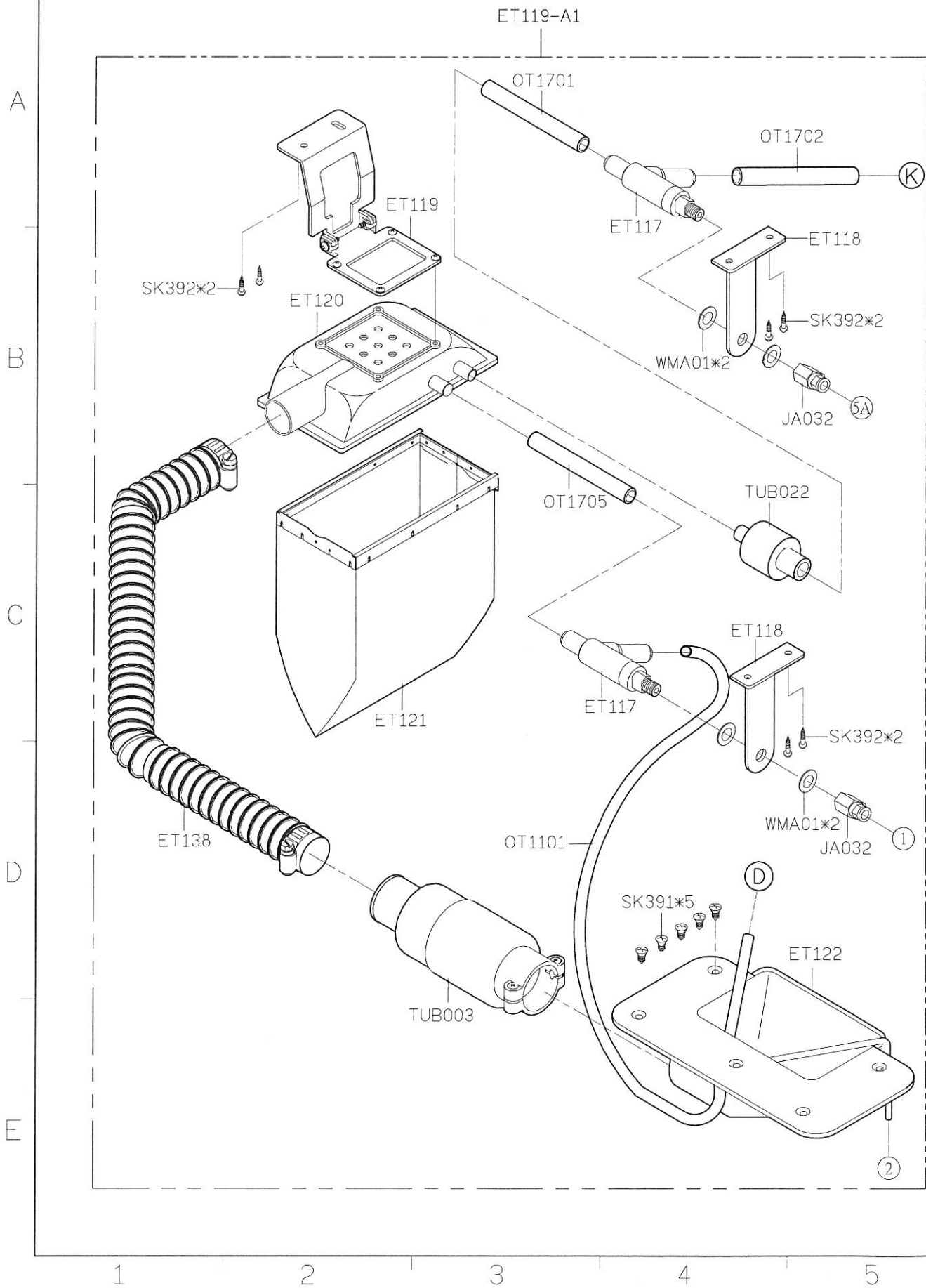
3

4

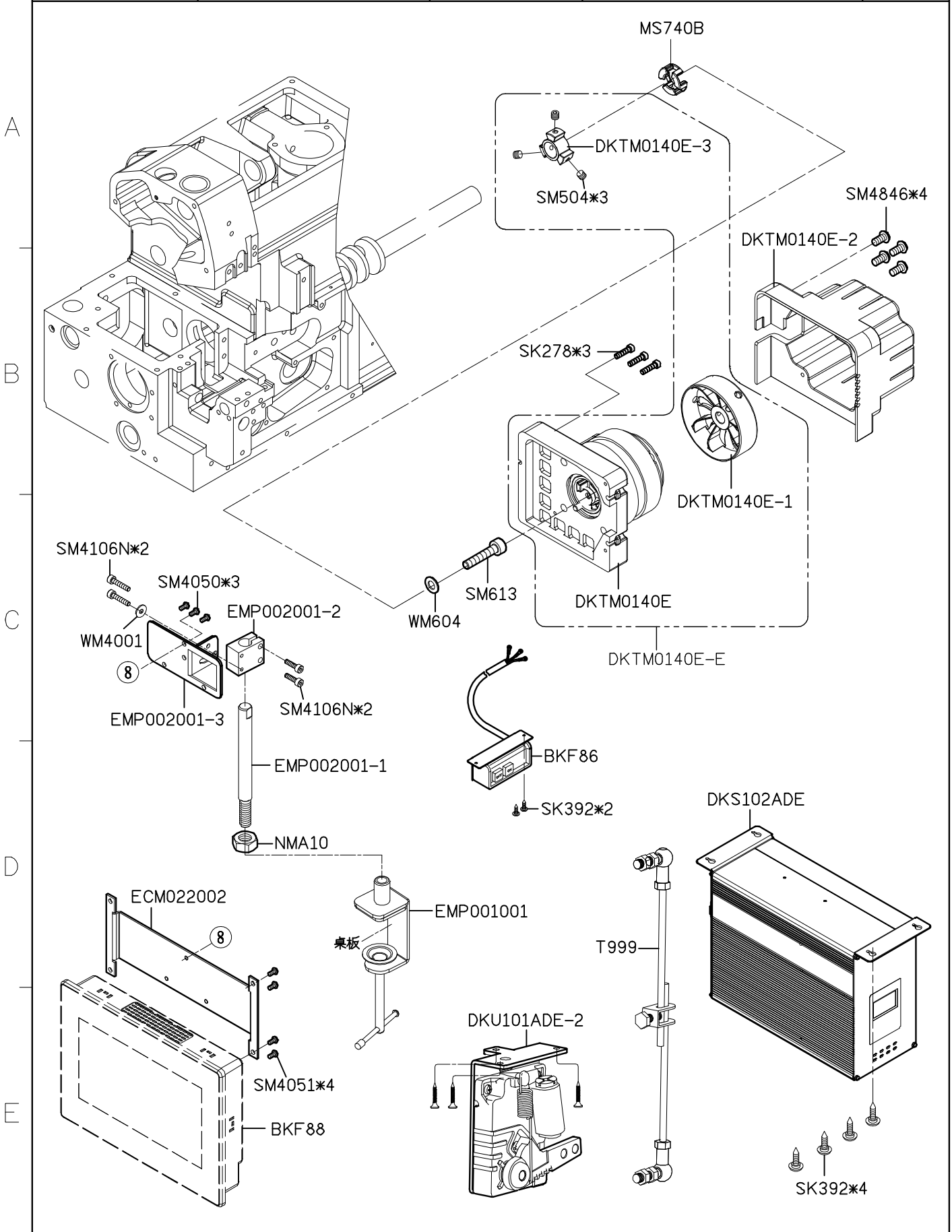
5



SIRUBA PARTS LIST	Series	Parts Group	Subclass / Remark	Page
	700L	BKF1		6/8
				Date
				2022/04/15

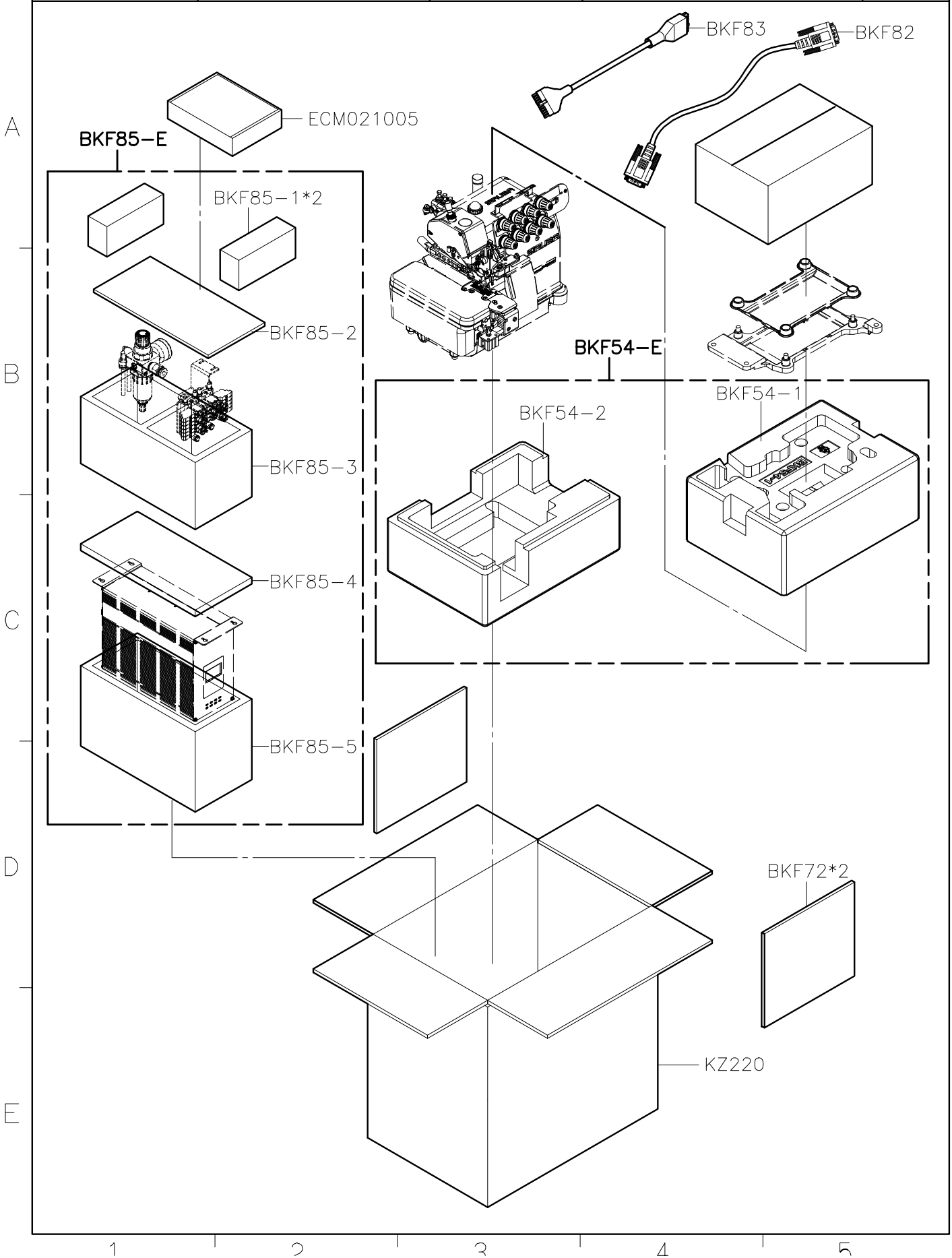


SIRUBA PARTS LIST	Series	Parts Group	Subclass / Remark	Page
	700L	BKF1		7/8
				Date
				2023/09/26

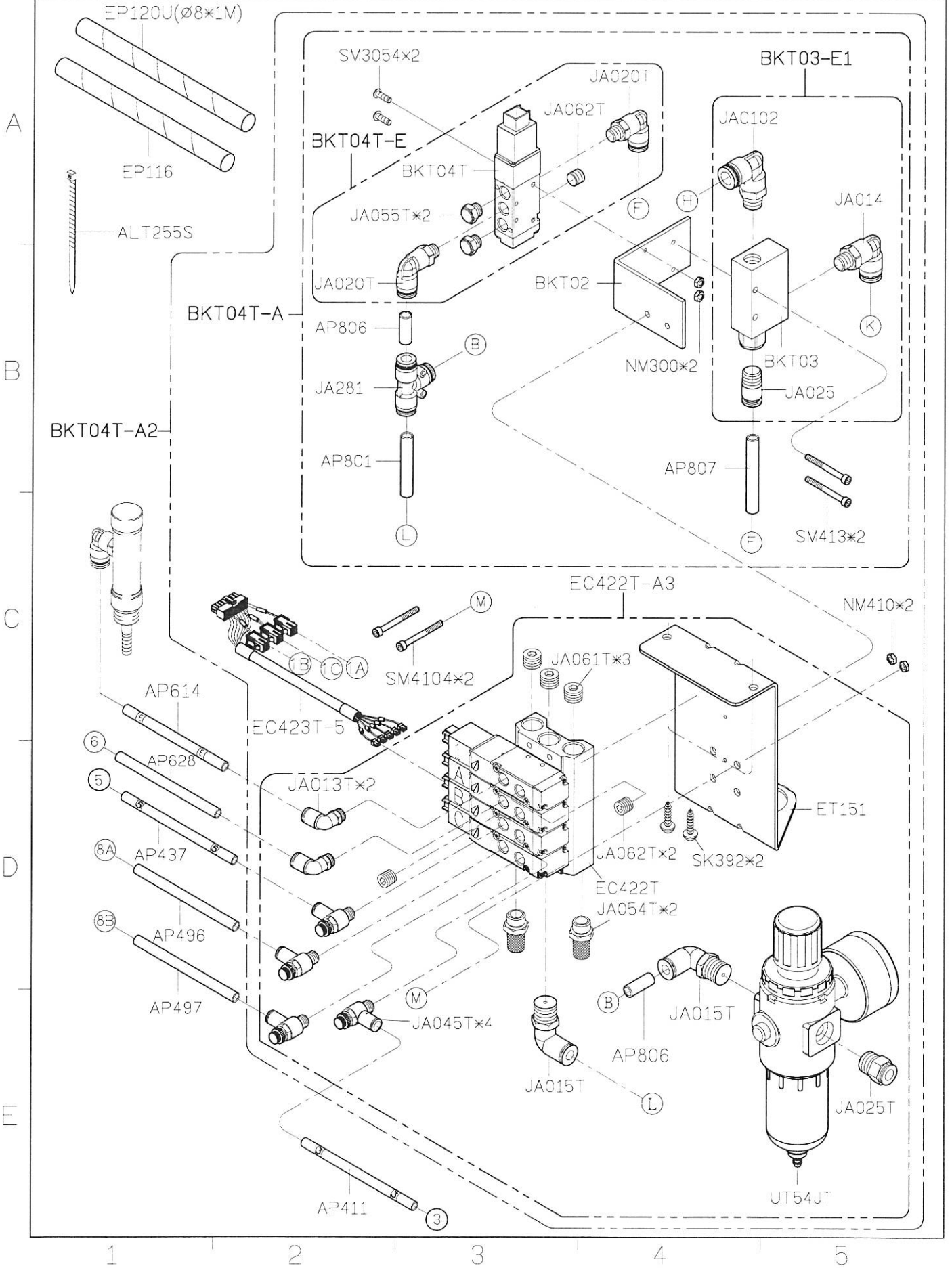


1 2 3 4 5

SIRUBA PARTS LIST	Series	Parts Group	Subclass / Remark	Page
	700L	BKF1		8/8
				Date
				2022/11/14



SIRUBA PARTS LIST	Series	Parts Group	Subclass / Remark	Page
	700L	BKT-L	With ECA-L	1/3
				Date
				2022/12/19



SIRUBA PARTS LIST	Series	Parts Group	Subclass / Remark	Page
	700L	BKT-L	With ECA-L	2/3
				Date
				2021/11/26

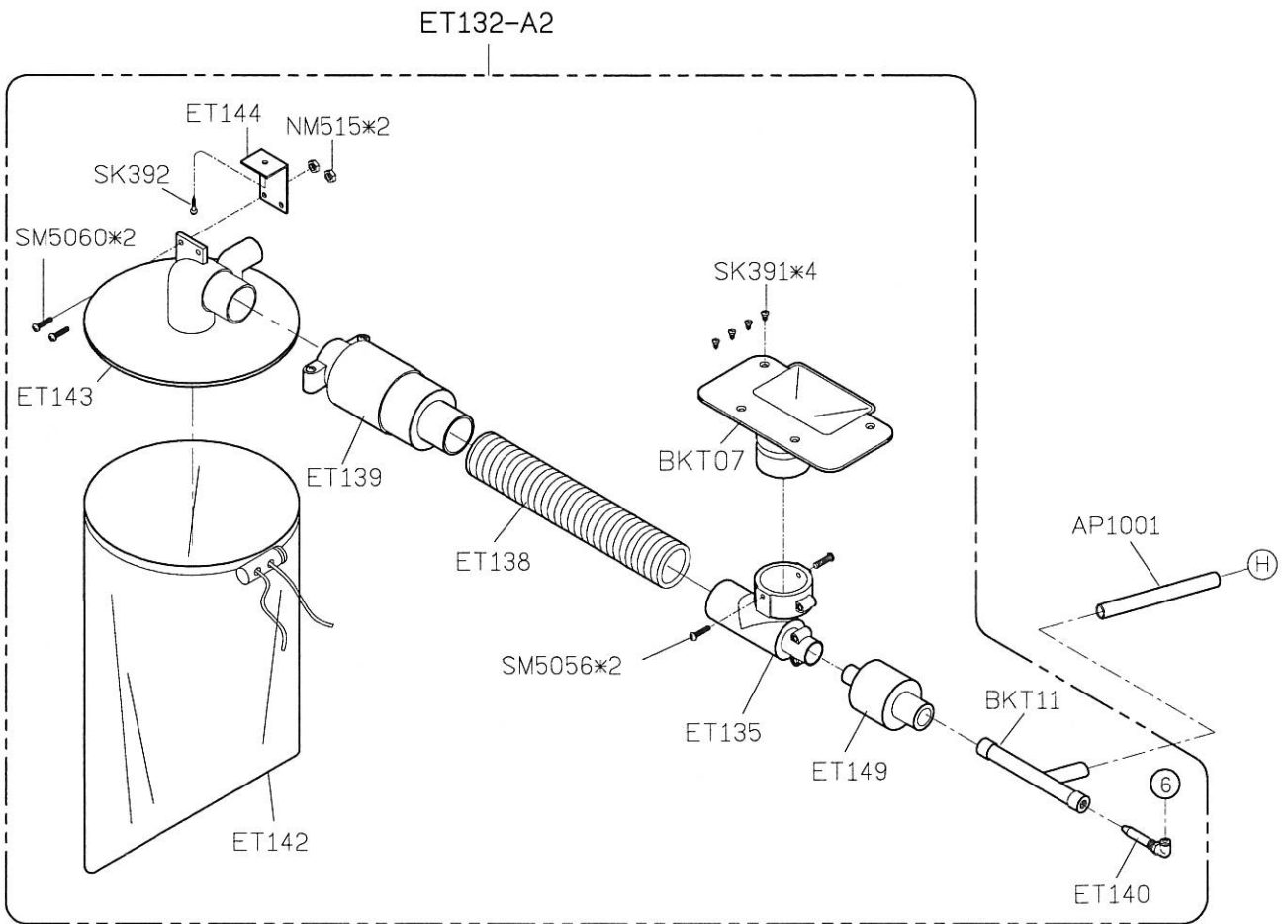
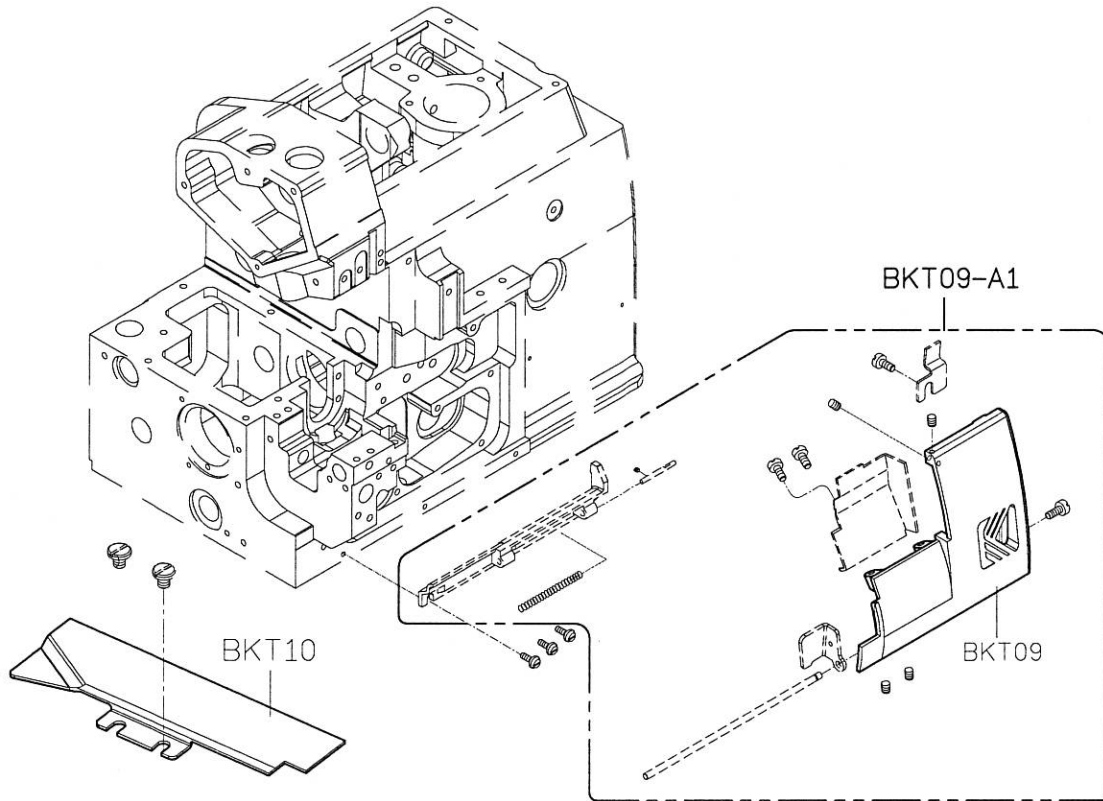
A

B

C

D

E



1

2

3

4

5

SIRUBA

PARTS LIST

Series

700L

Parts Group

BKT-L

Subclass / Remark

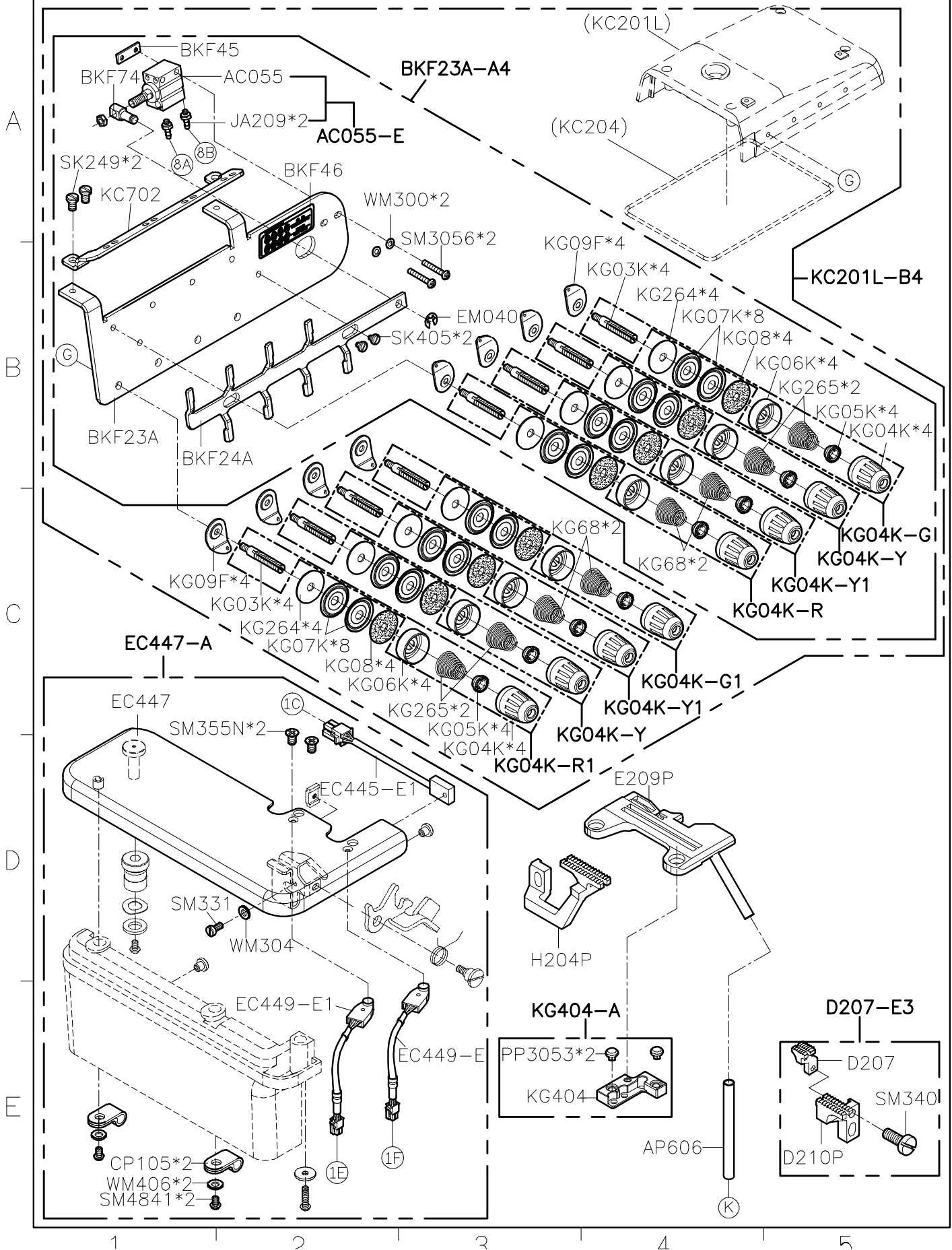
With ECA-L

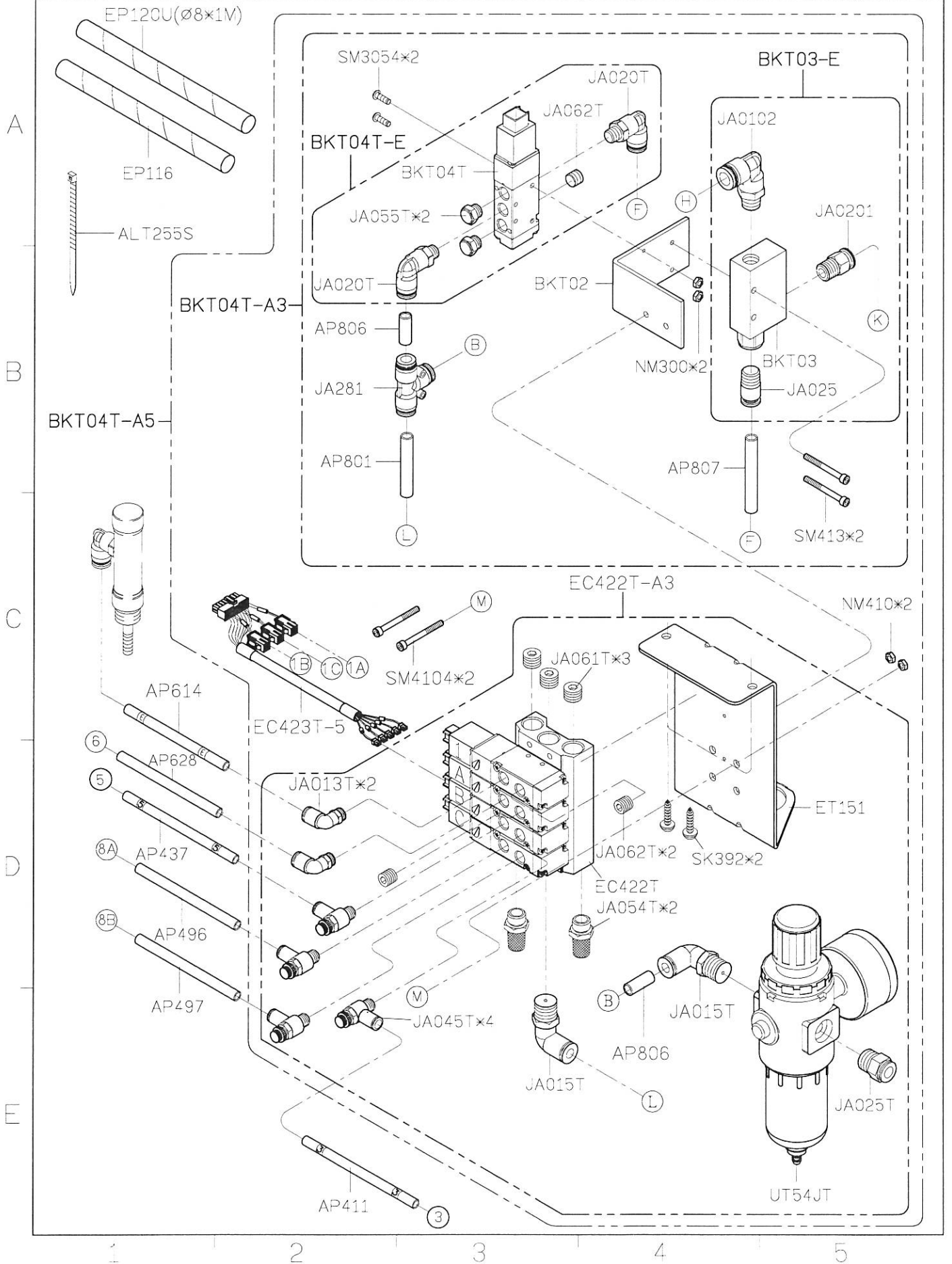
Page

3/3

Date

2021/06/12





SIRUBA PARTS LIST	Series	Parts Group	Subclass / Remark	Page
	700L	BKT-L1	With ECA-L	2/3
				Date
				2021/11/26

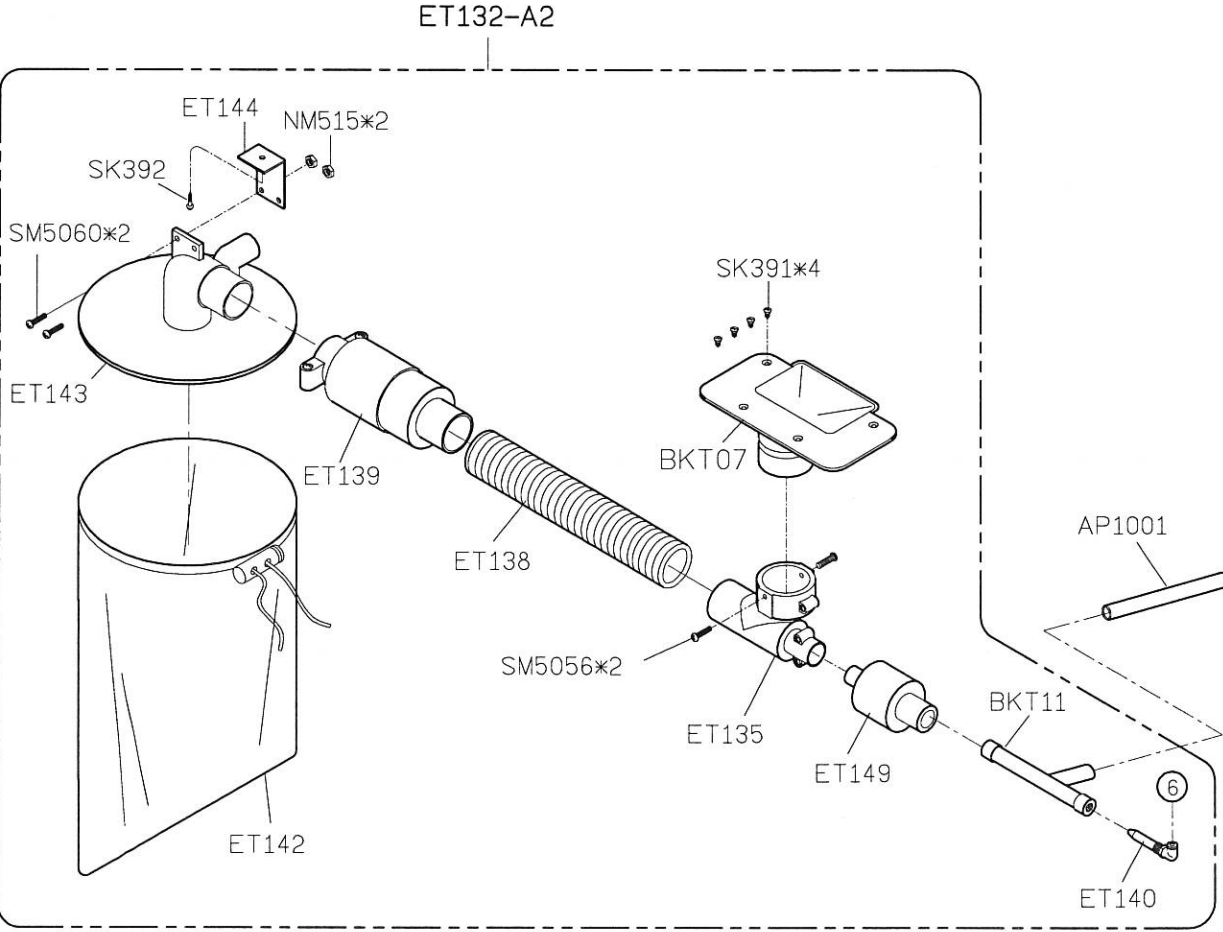
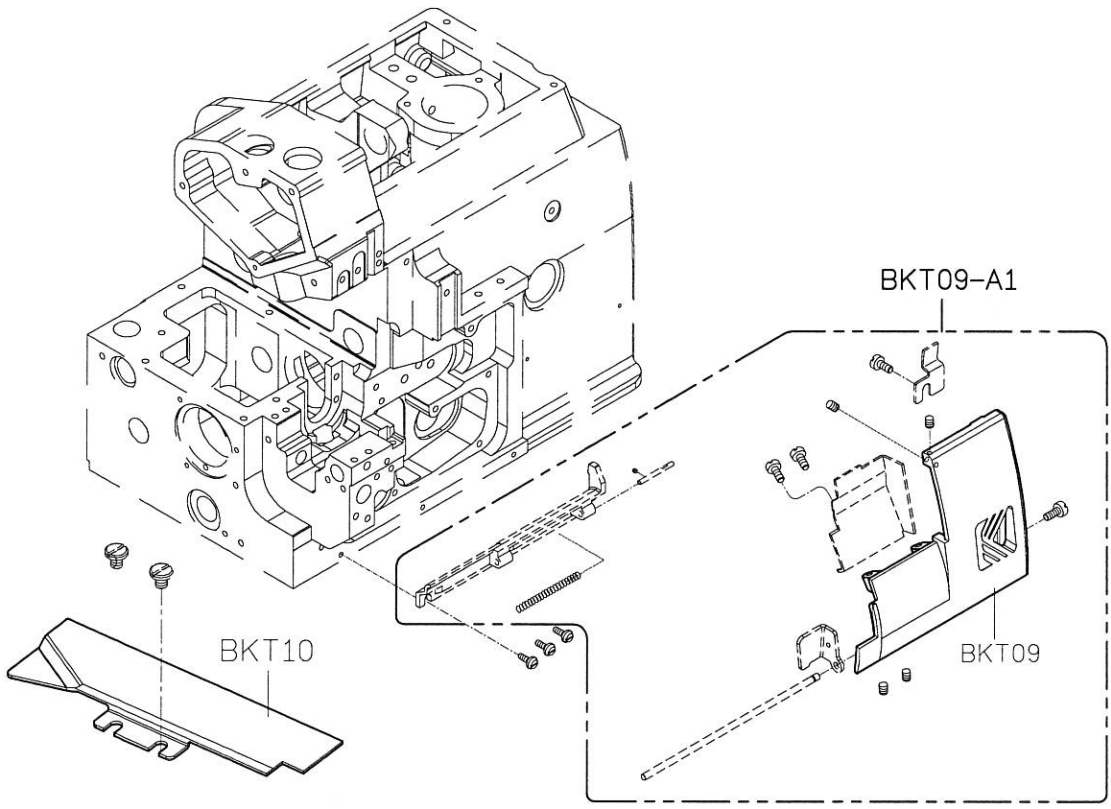
A

B

C

D

E



1 2 3 4 5

SIRUBA

PARTS LIST

Series

700L

Parts Group

BKT-L1

Subclass / Remark

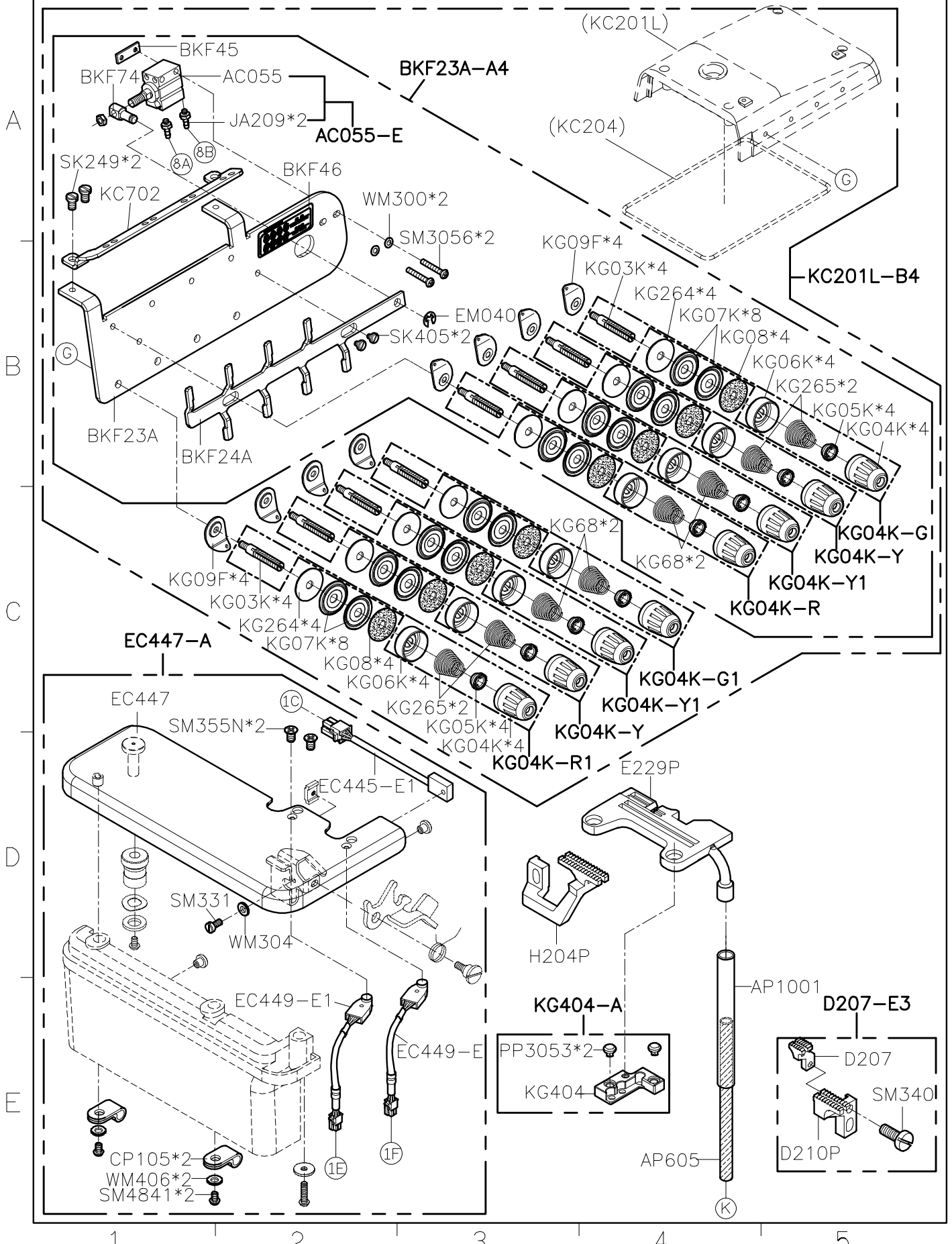
With ECA-L

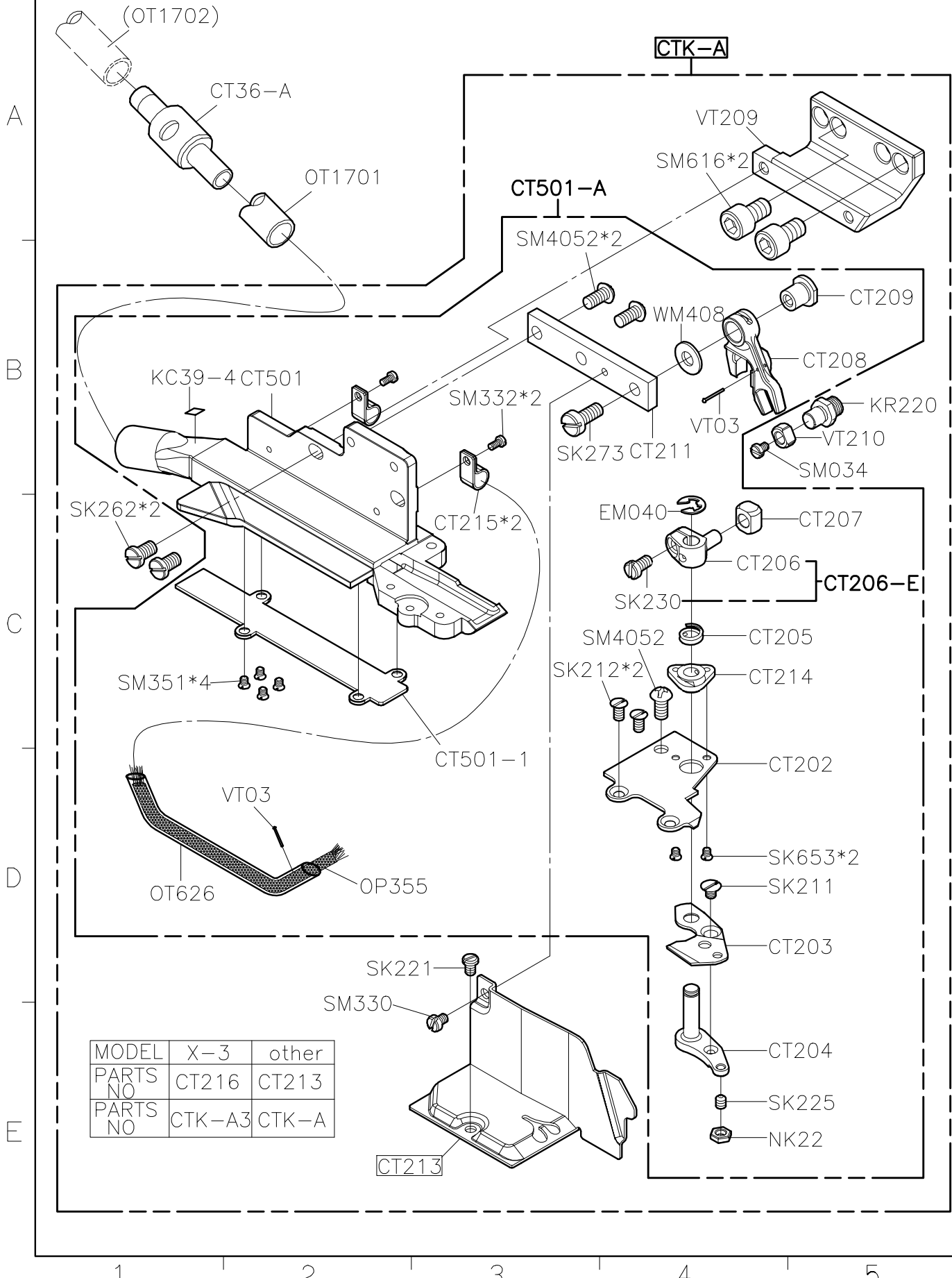
Page

3/3

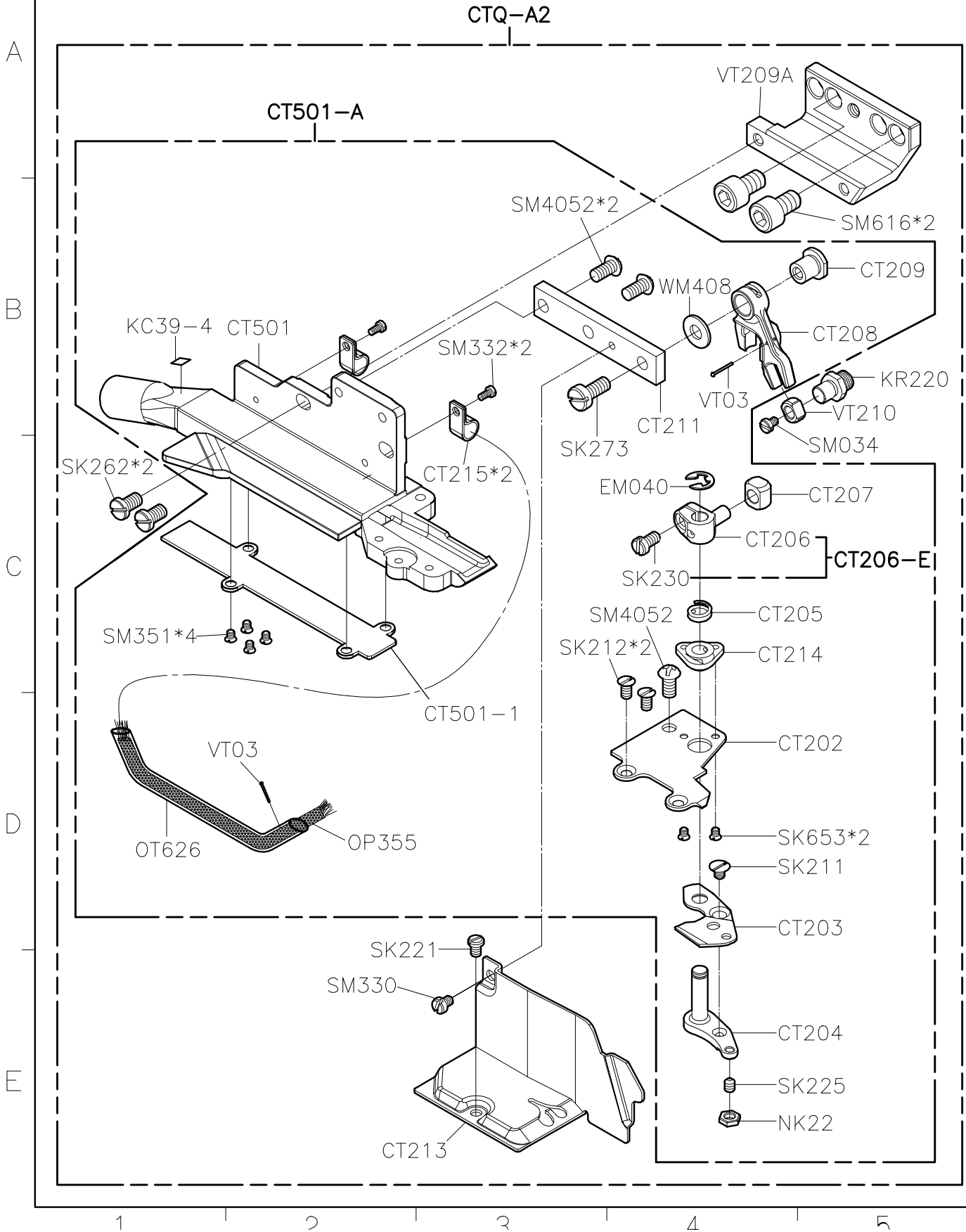
Date

2021/08/12

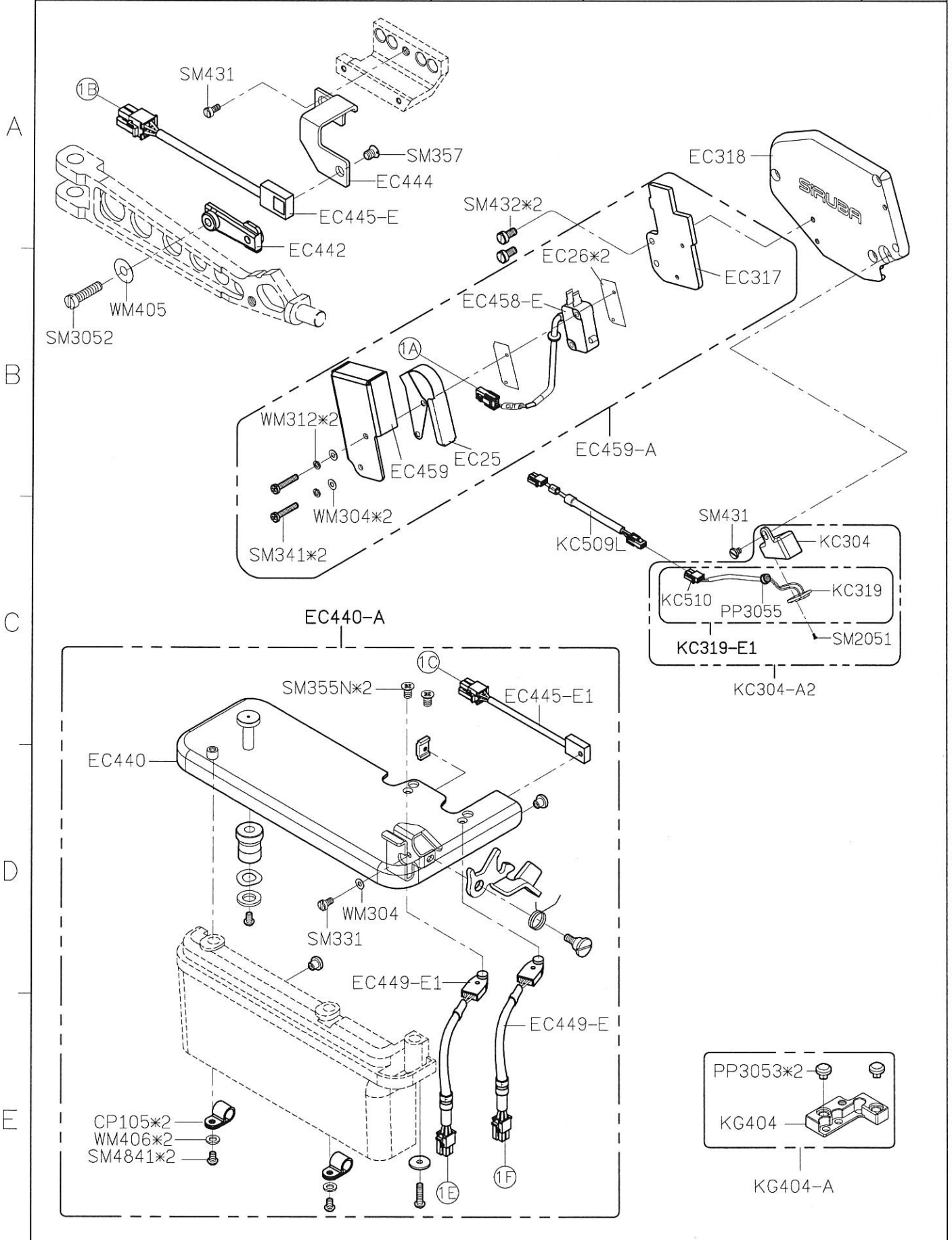




SIRUBA PARTS LIST	Series	Parts Group	Subclass / Remark	Page
	700L	CTE-L		1/5
				Date
				2023/10/25



SIRUBA PARTS LIST	Series	Parts Group	Subclass / Remark	Page
	700L	CTE-L		2/5
				Date
				2021/12/01



1

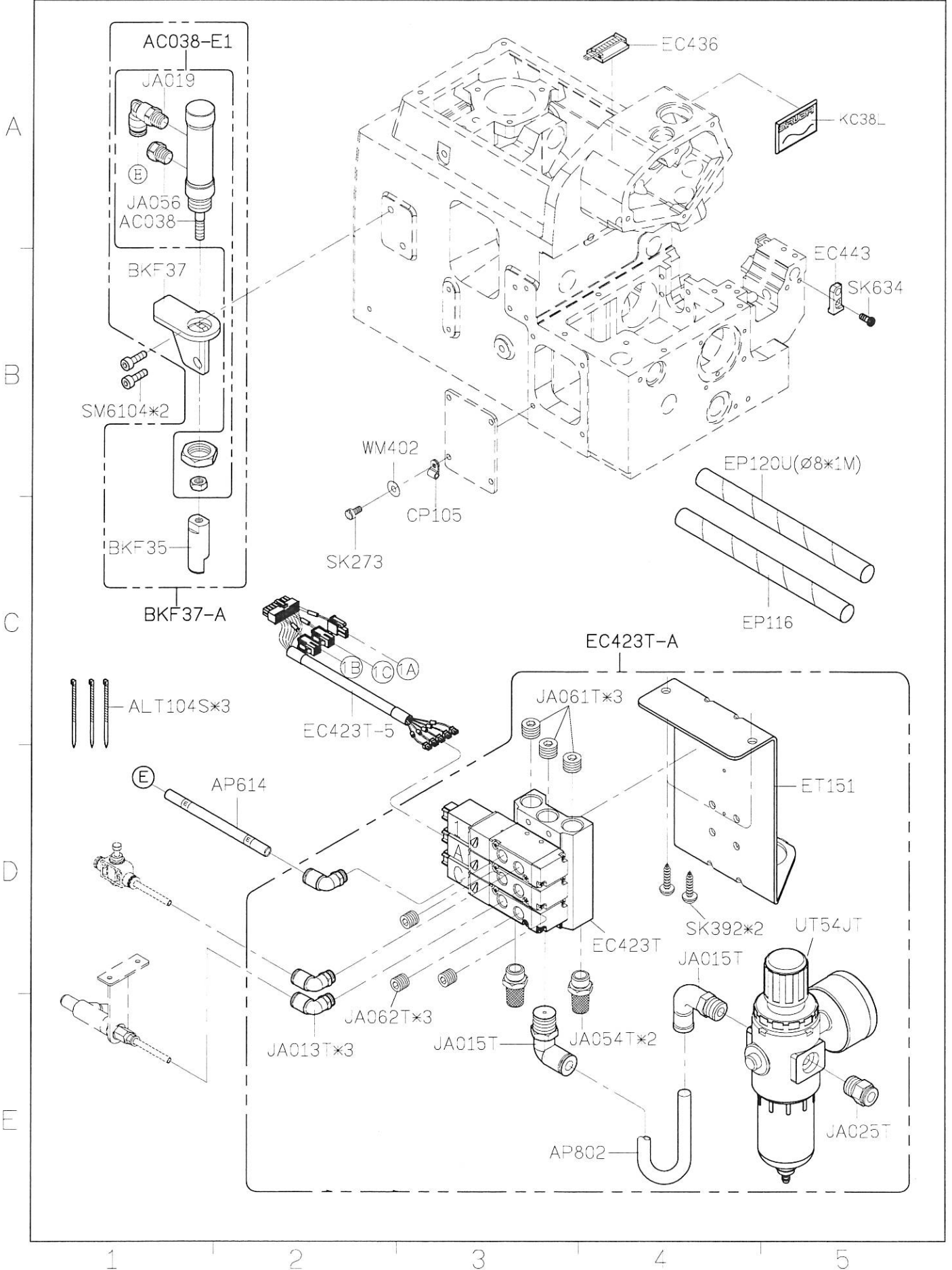
2

3

4

5

SiRUBA PARTS LIST	Series	Parts Group	Subclass / Remark	Page
	700L	CTE-L		3/5
				Date
				2022/12/19



SIRUBA PARTS LIST	Series	Parts Group	Subclass / Remark	Page
	700L	CTE-L		4/5
				Date
				2021/12/01

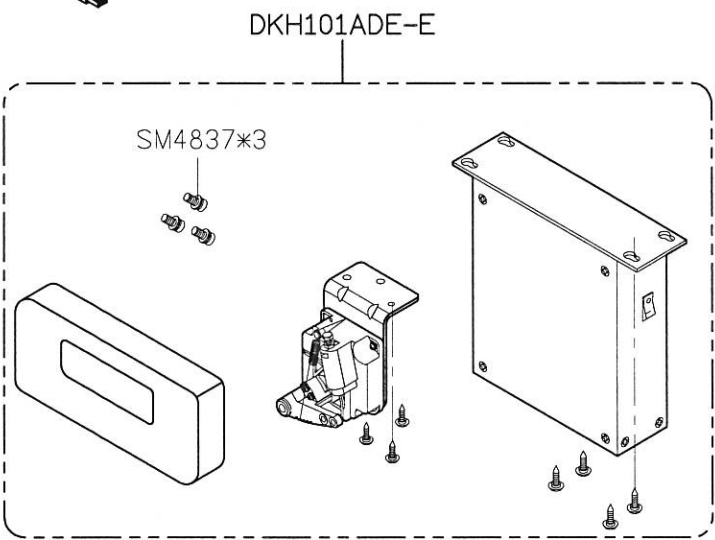
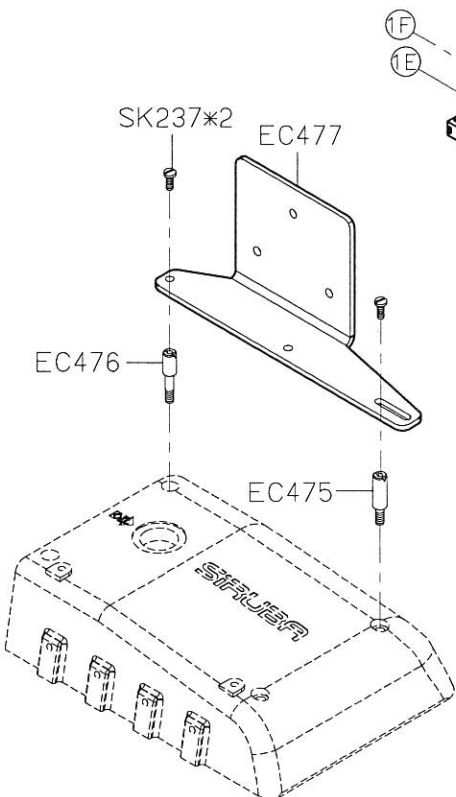
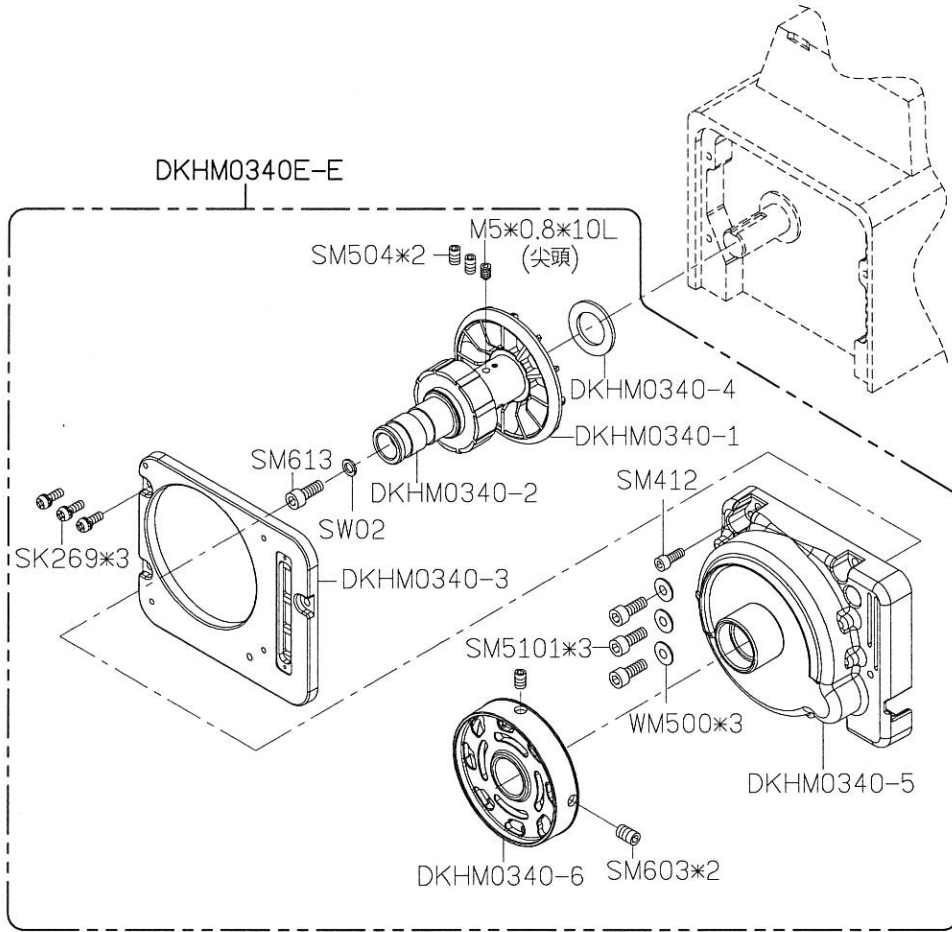
A

B

C

D

E



1

2

3

4

5

SIRUBA PARTS LIST	Series	Parts Group	Subclass / Remark	Page
	700L	CTE-L		5/5
				Date
				2021/12/01

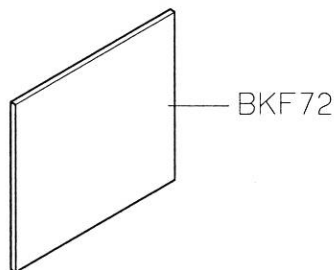
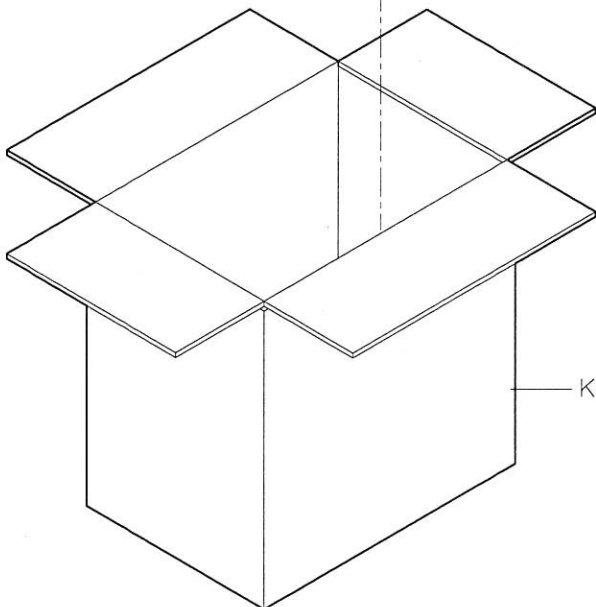
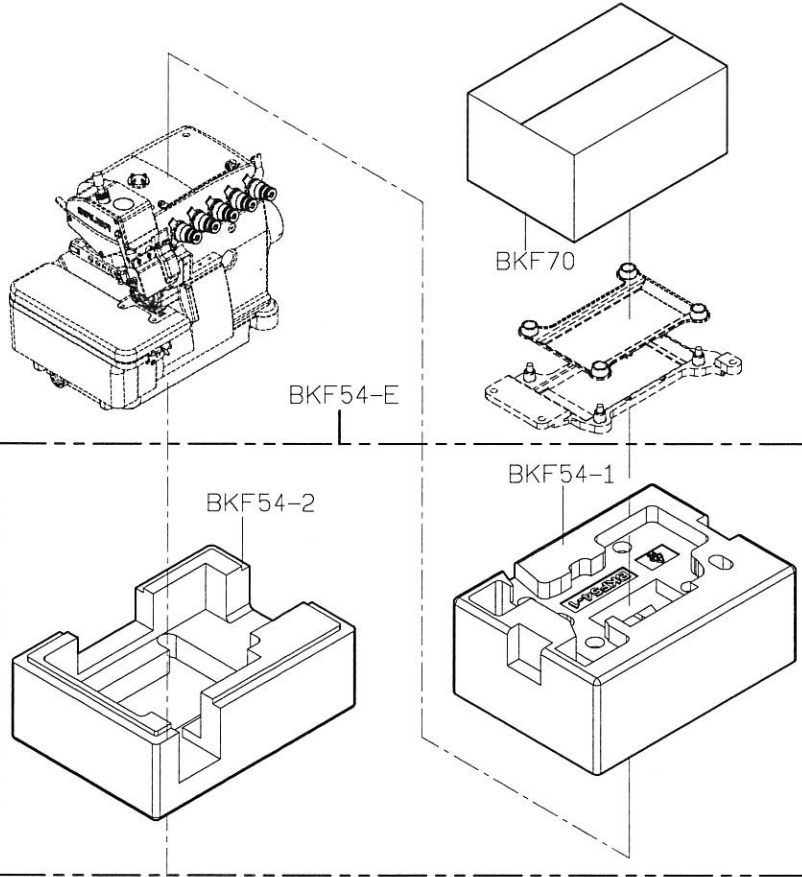
A

B

C

D

E



1

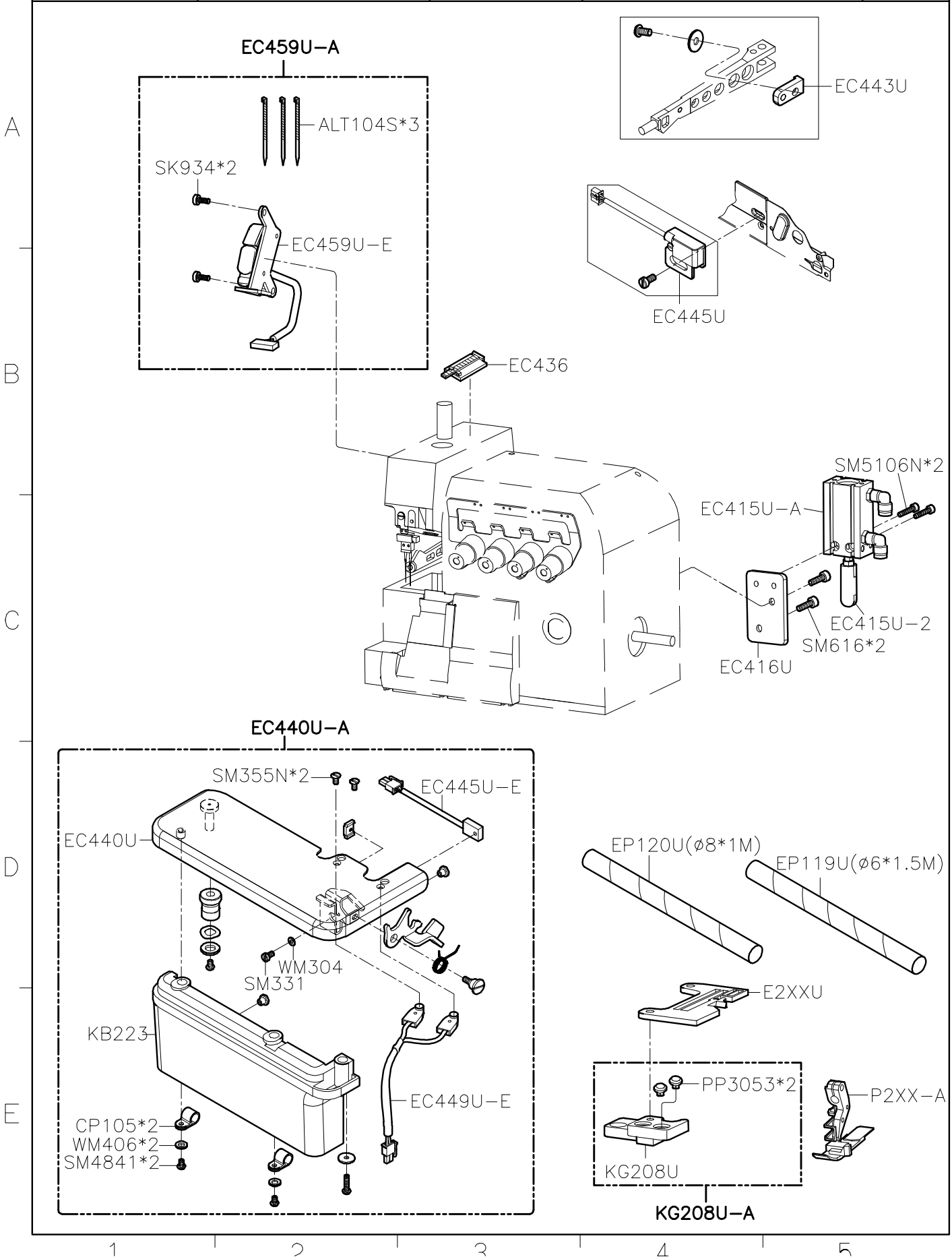
2

3

4

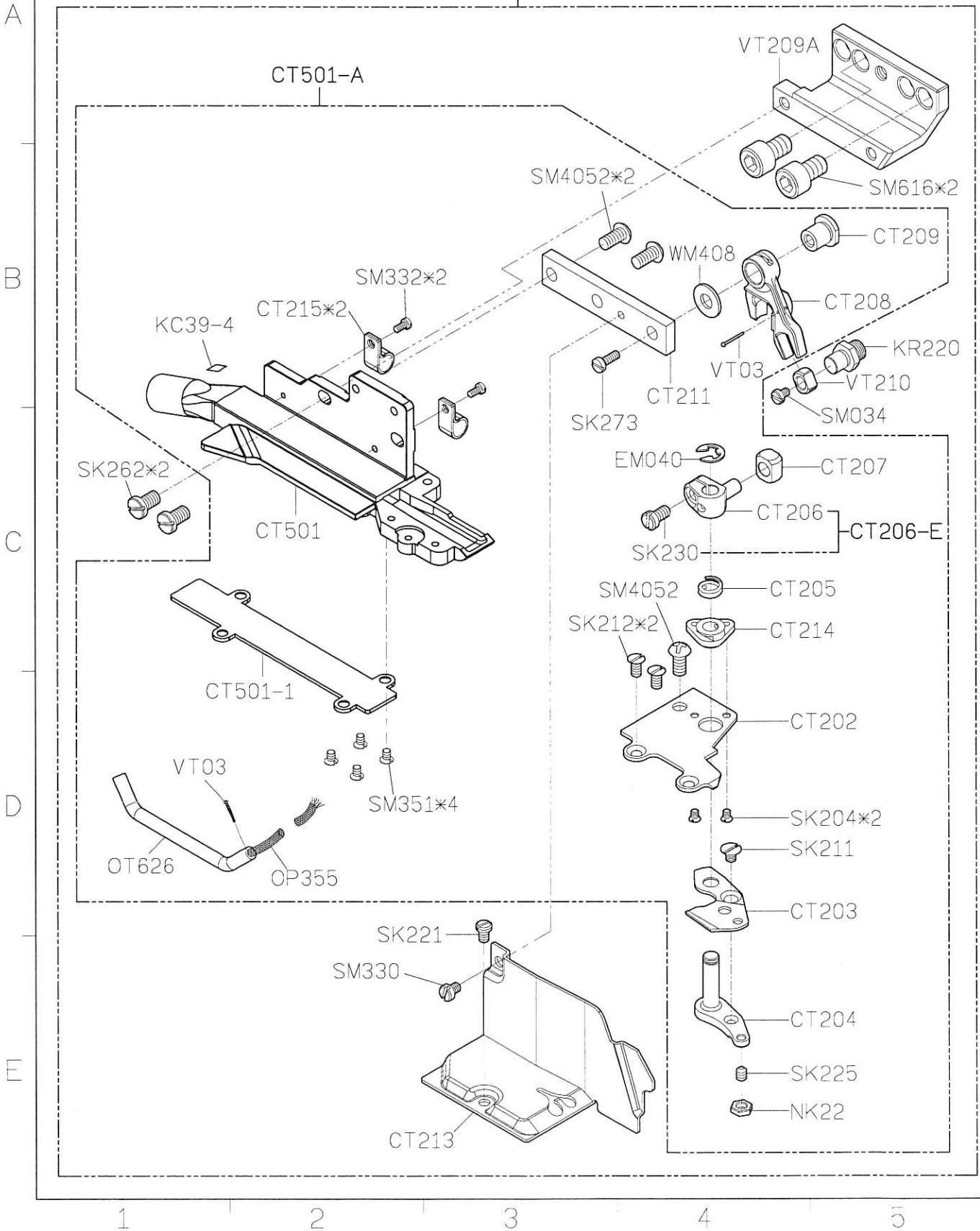
5

SIRUBA PARTS LIST	Series	Parts Group	Subclass / Remark	Page
	700L	CTE-U		1/5
				Date
				2023/08/30



SIRUBA PARTS LIST	Series	Parts Group	Subclass / Remark	Page
	700L	CTE-U		2/5
				Date
				2023/04/26

CTQ-A2



SIRUBA PARTS LIST	Series	Parts Group	Subclass / Remark	Page
	700L	CTE-U		3/5
				Date
				2023/04/26

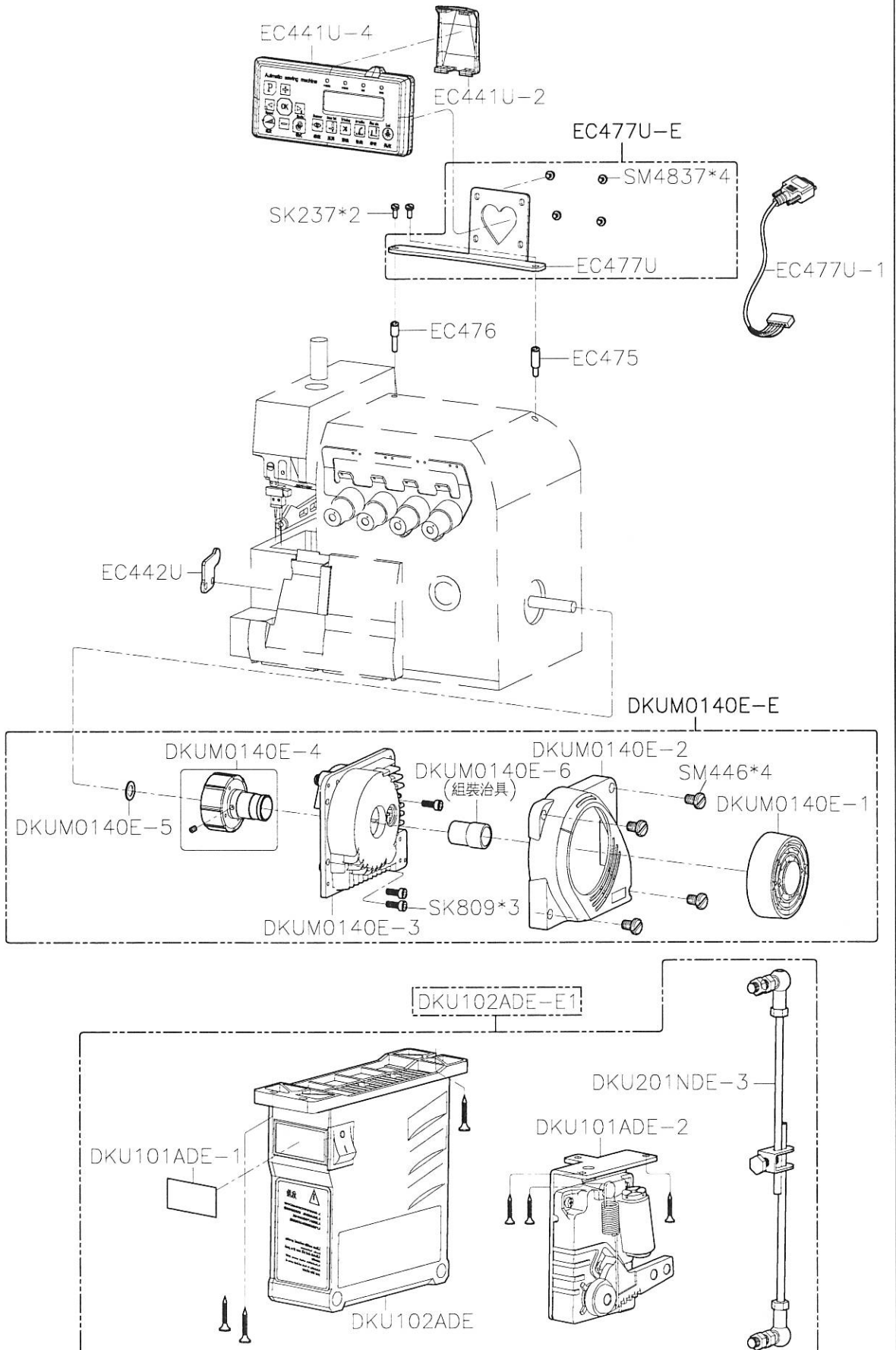
A

B

C

D

E



1

2

3

4

5

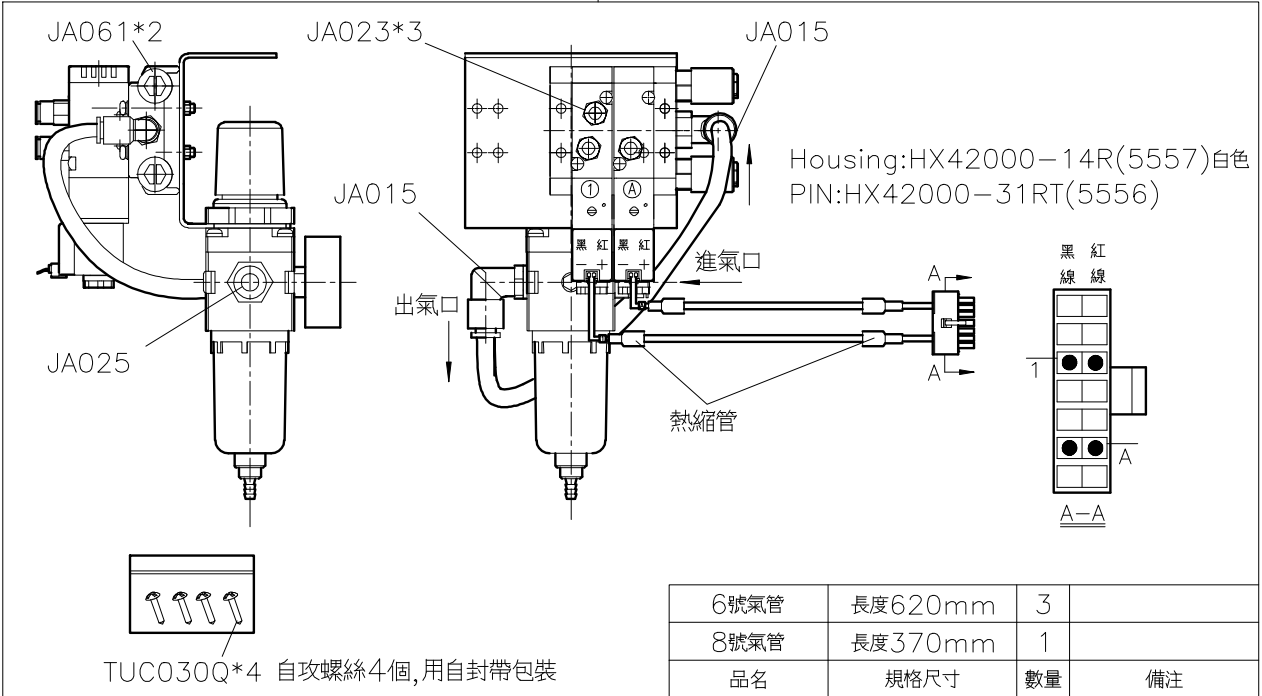
SIRUBA PARTS LIST	Series	Parts Group	Subclass / Remark	Page
	700L	CTE-U		4/5
				Date
				2025/06/26

TUC-04

TUC033Q-A

A

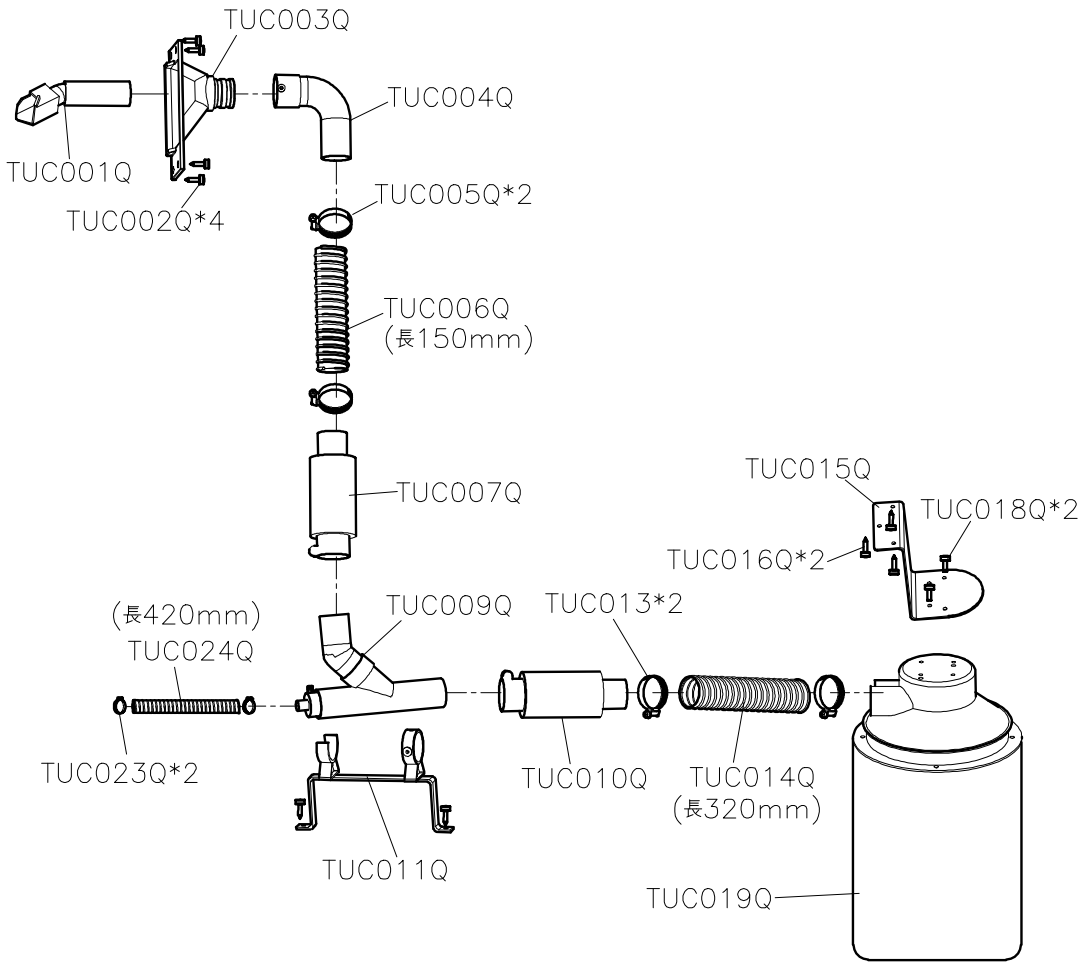
B



C

D

E



1

2

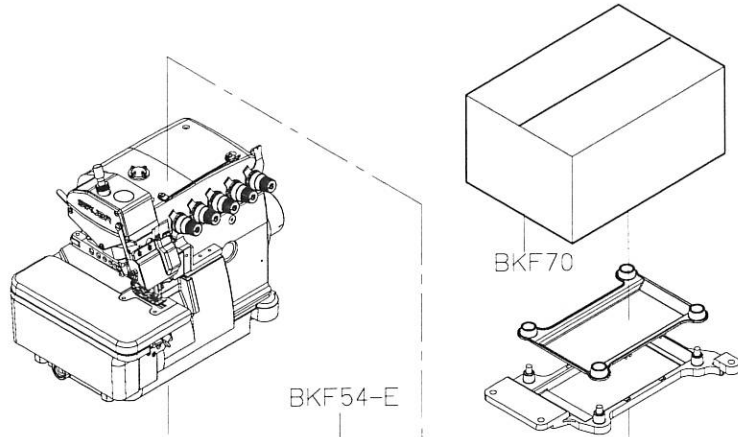
3

4

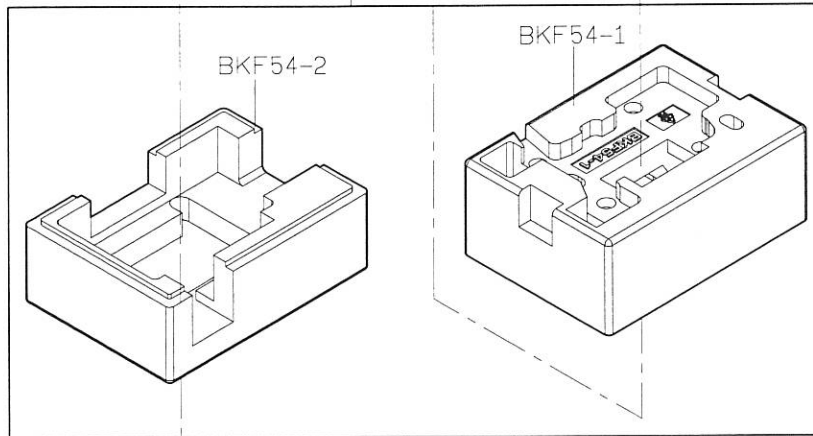
5

SIRUBA PARTS LIST	Series	Parts Group	Subclass / Remark	Page
	700L	CTE-U		5/5
			Date	
			2023/04/26	

A

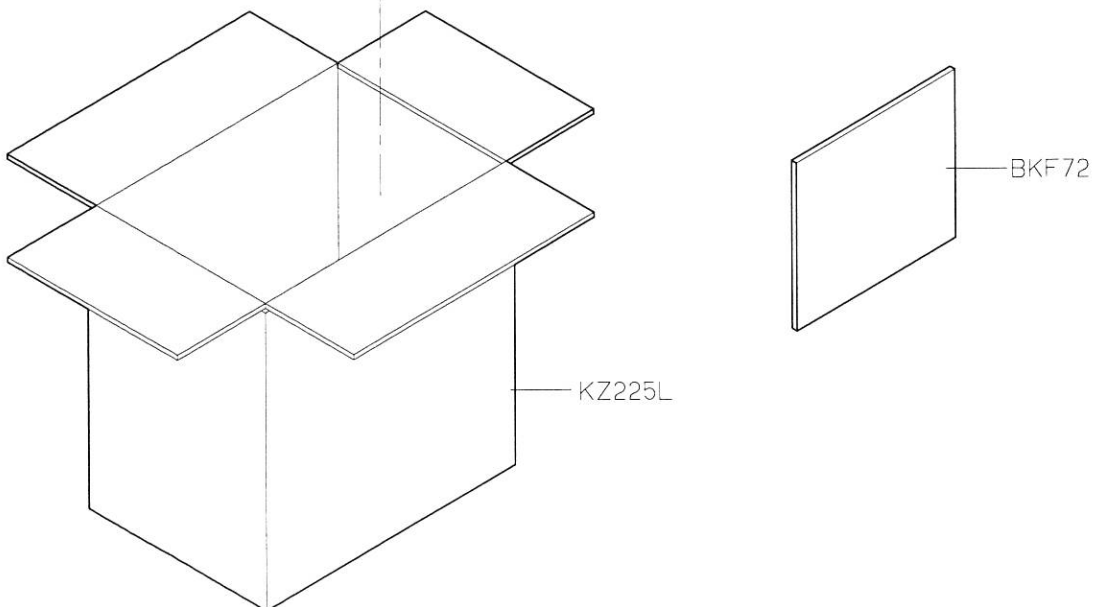


B



C

D



E

1

2

3

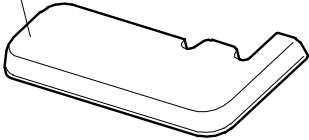
4

5

SIRUBA PARTS LIST	Series	Parts Group	Subclass / Remark	Page
	700L	EC-L1	● : Use for Long Knife	1/4
				Date
				2022/02/10

Option : ● Long Knife

● EC208 (For Long Knife)



Long knife cut limit	22mm
Short knife cut limit	16mm

MODEL	EC	EC+BK	EC+GA
PARTS NO	EC202	EC215	EC215
	SK290	SK285	SK285

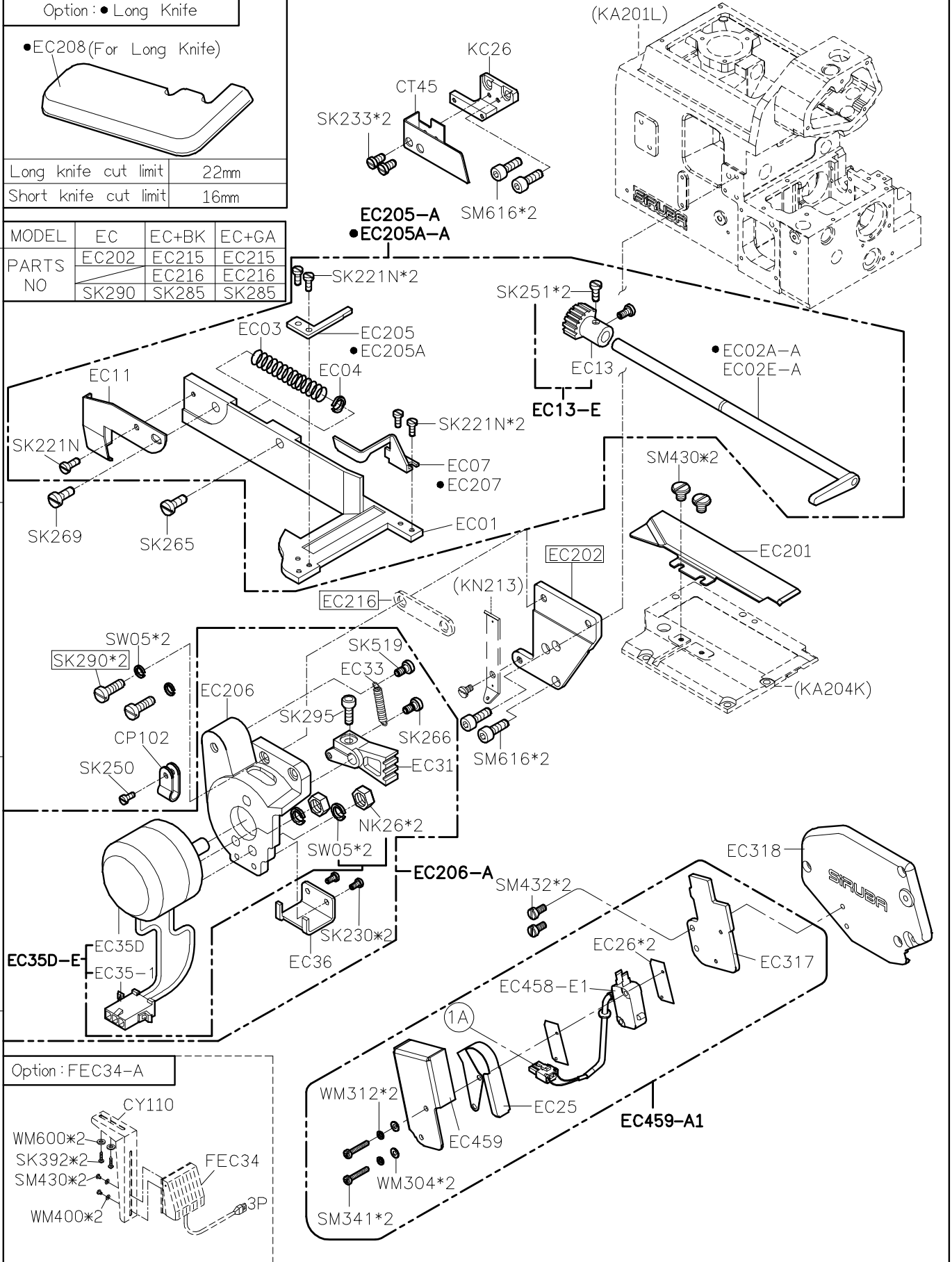
A

B

C

D

E



1

2

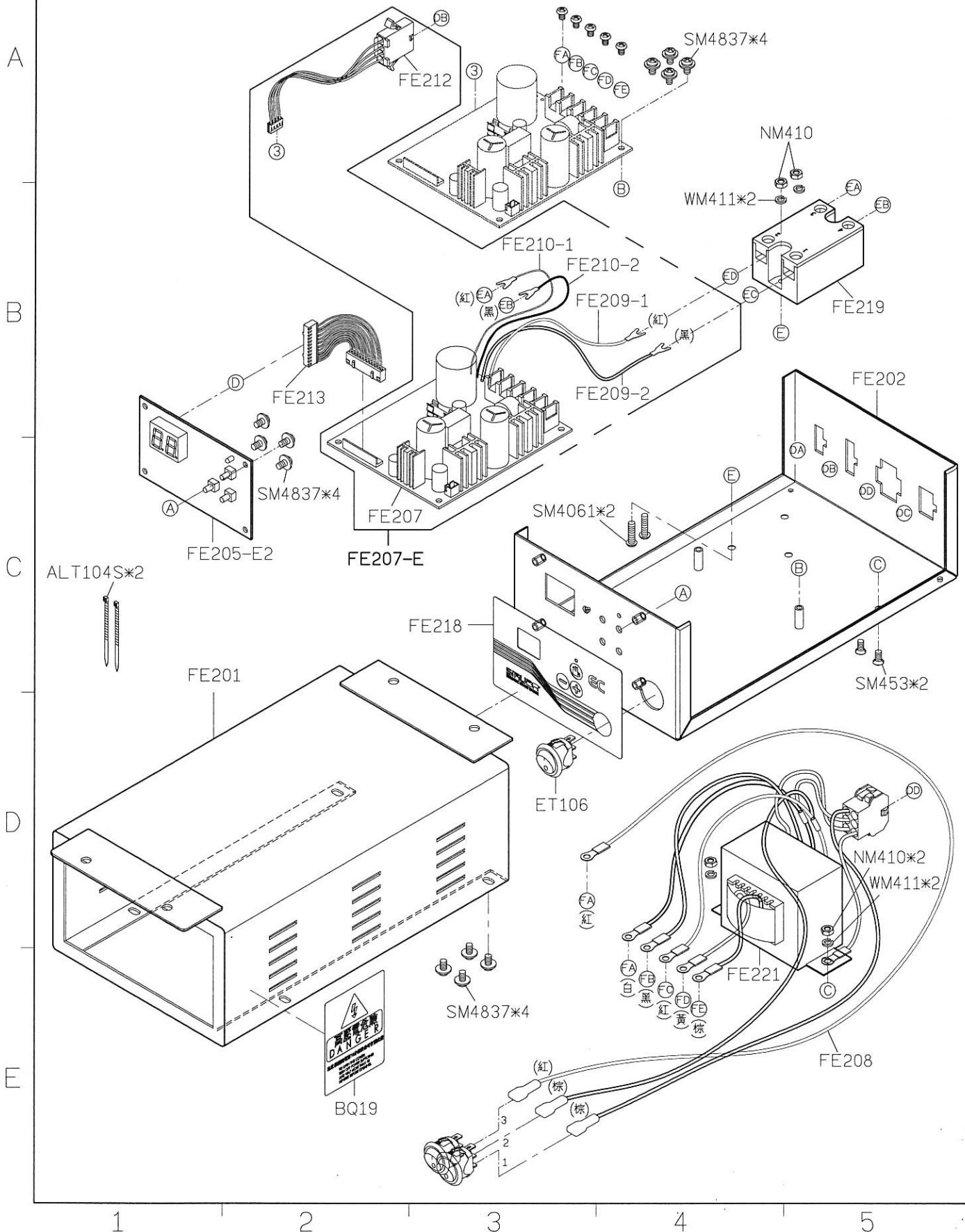
3

4

5

SIRUBA PARTS LIST	Series	Parts Group	Subclass / Remark	Page
	700L	EC-L1		2/4
				Date
				2021/09/10

FE202-A



SIRUBA PARTS LIST	Series	Parts Group	Subclass / Remark	Page
	700L	EC-L1		3/4
				Date
				2021/09/10

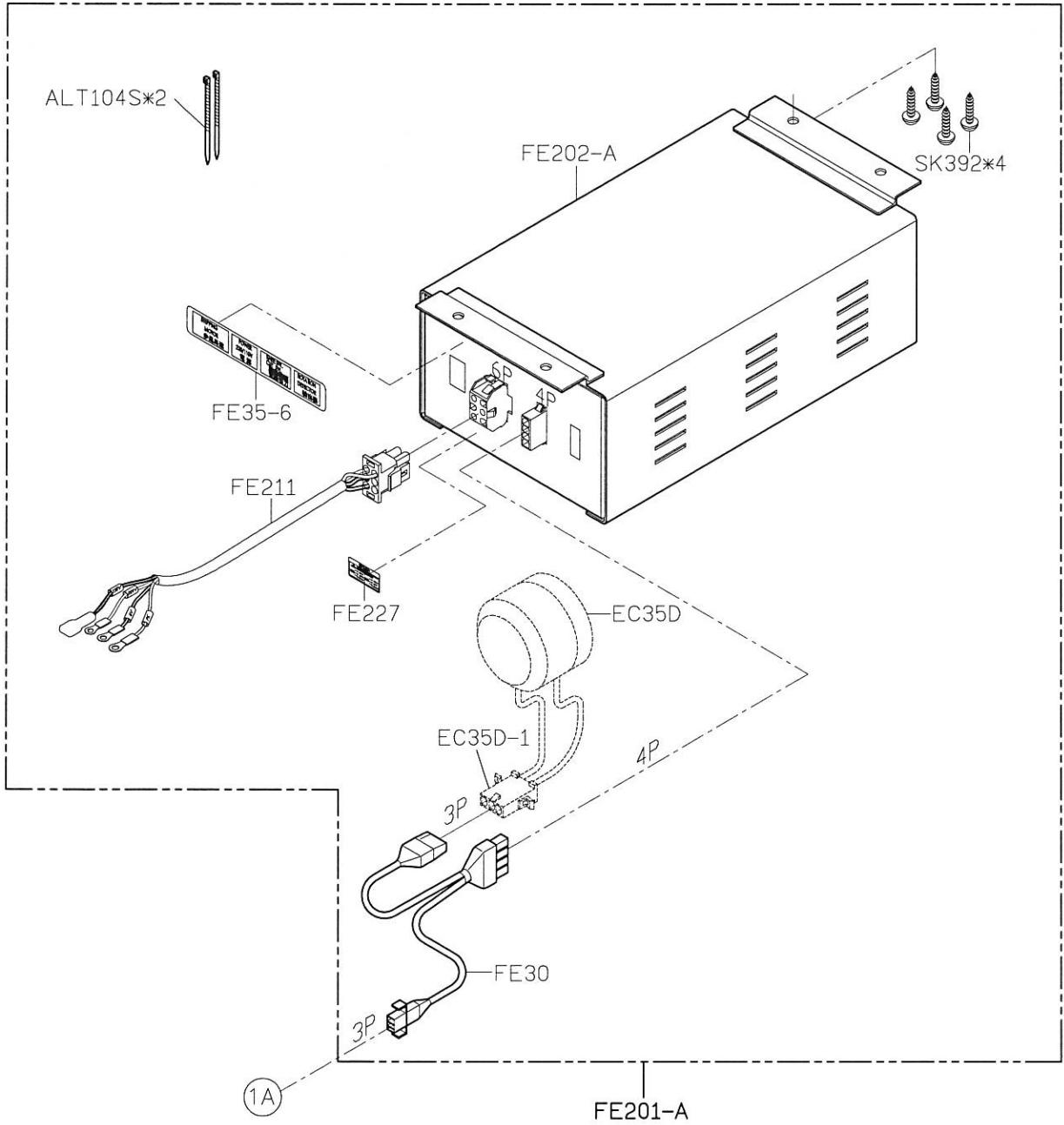
A

B

C

D

E



1

2

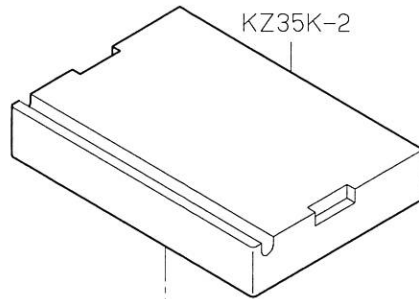
3

4

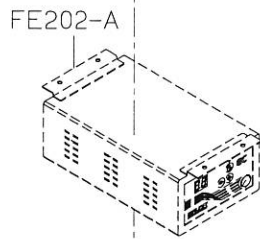
5

SIRUBA PARTS LIST	Series	Parts Group	Subclass / Remark	Page
	700L	EC-L1		4/4
				Date
				2021/09/10

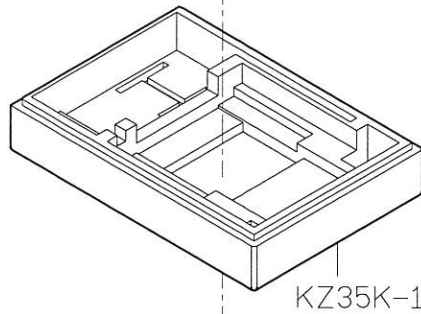
A



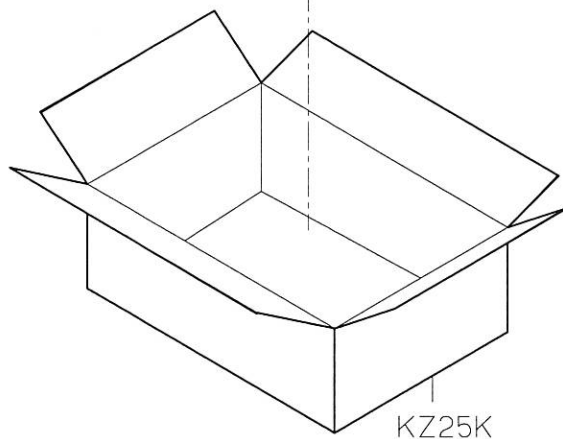
B



C



D



E

1

2

3

4

5

SIRUBA PARTS LIST	Series	Parts Group	Subclass / Remark	Page
	700K 700L	EC-U		1/3
				Date
				2021/09/07

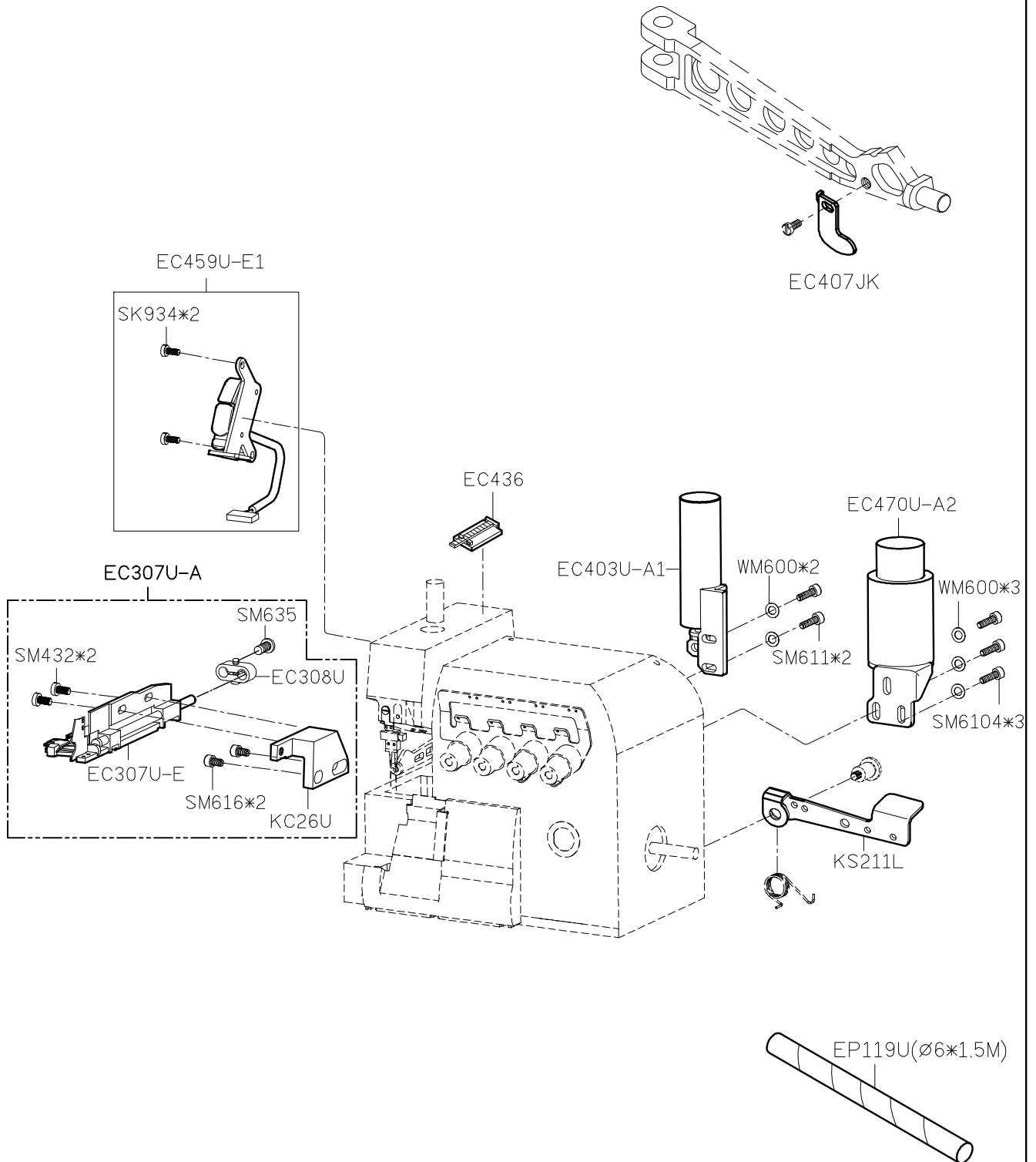
A

B

C

D

E



1

2

3

4

5

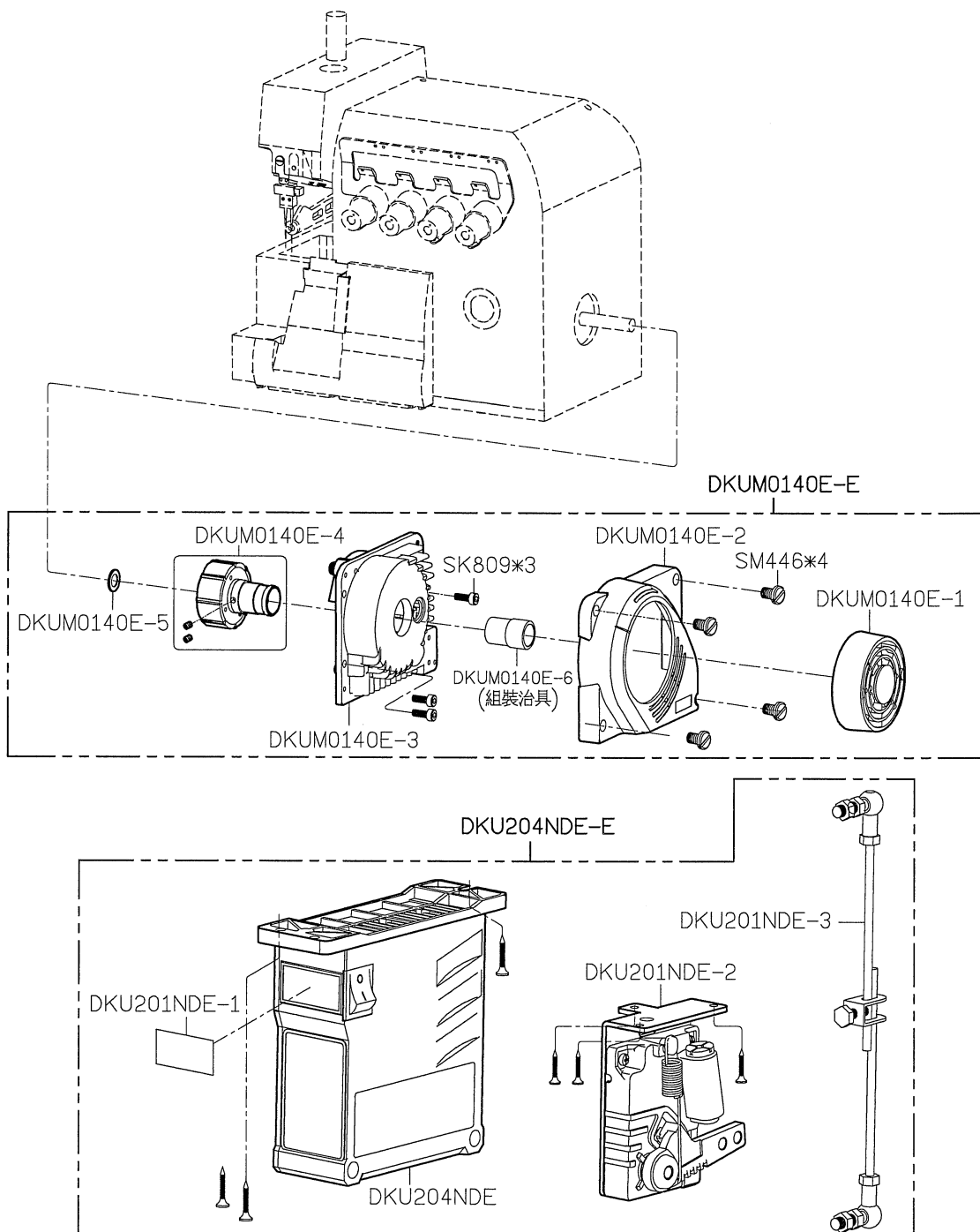
A

B

C

D

E



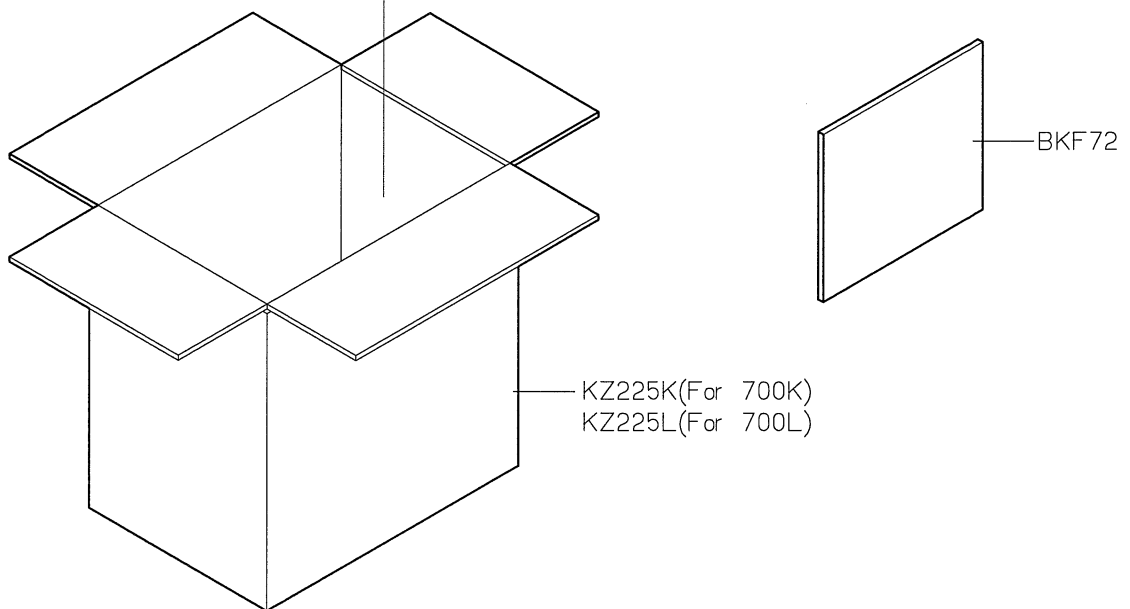
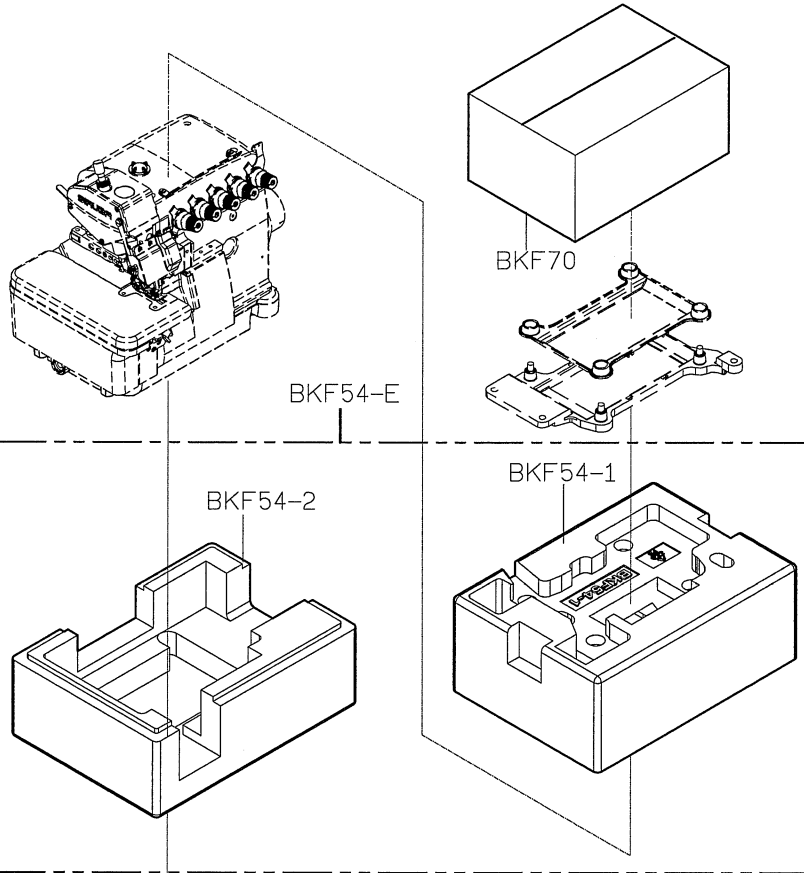
A

B

C

D

E



1

2

3

4

5

SIRUBA

PARTS LIST

Series

700L

Parts Group

ECA-L

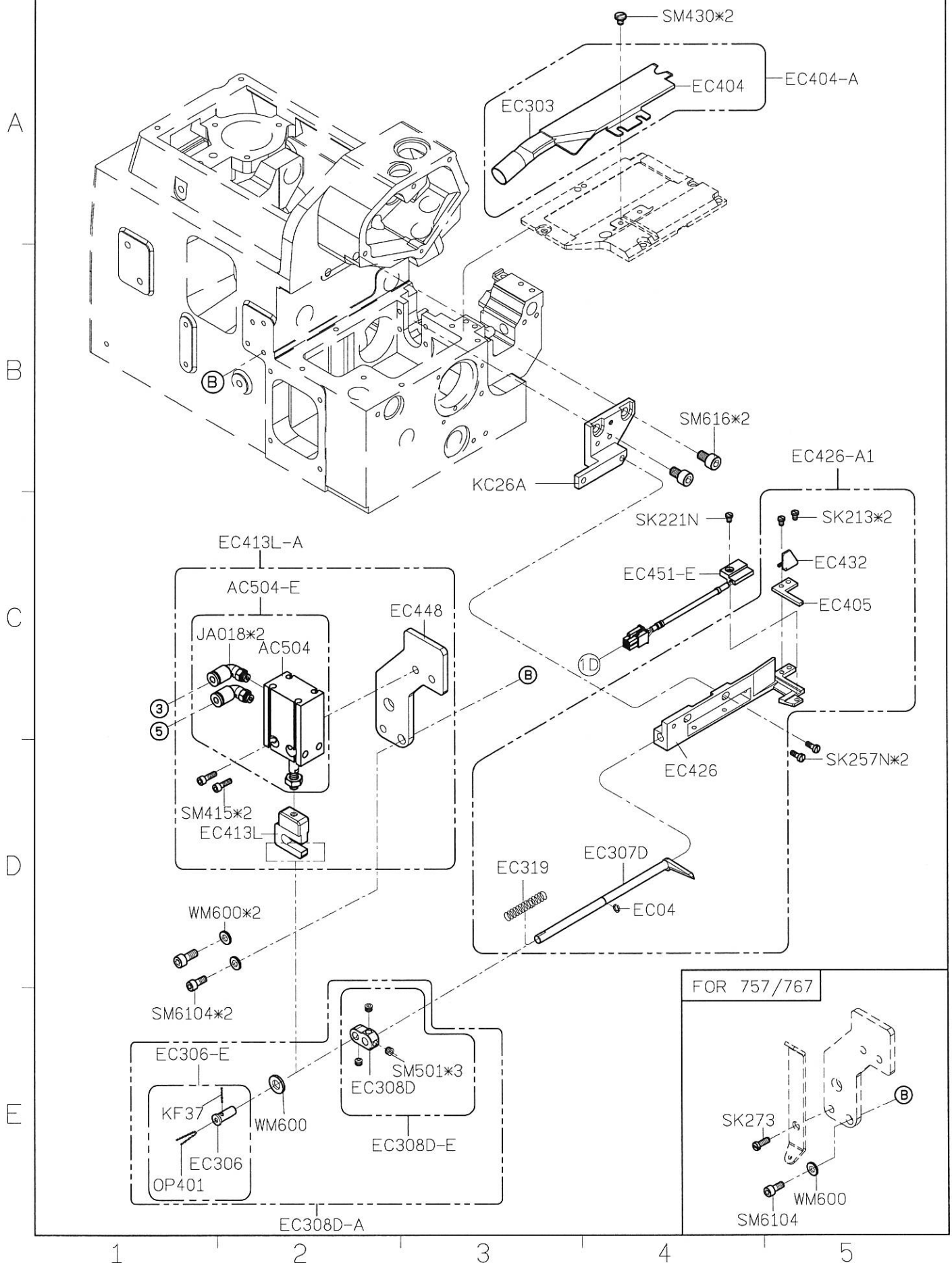
Subclass / Remark

Page

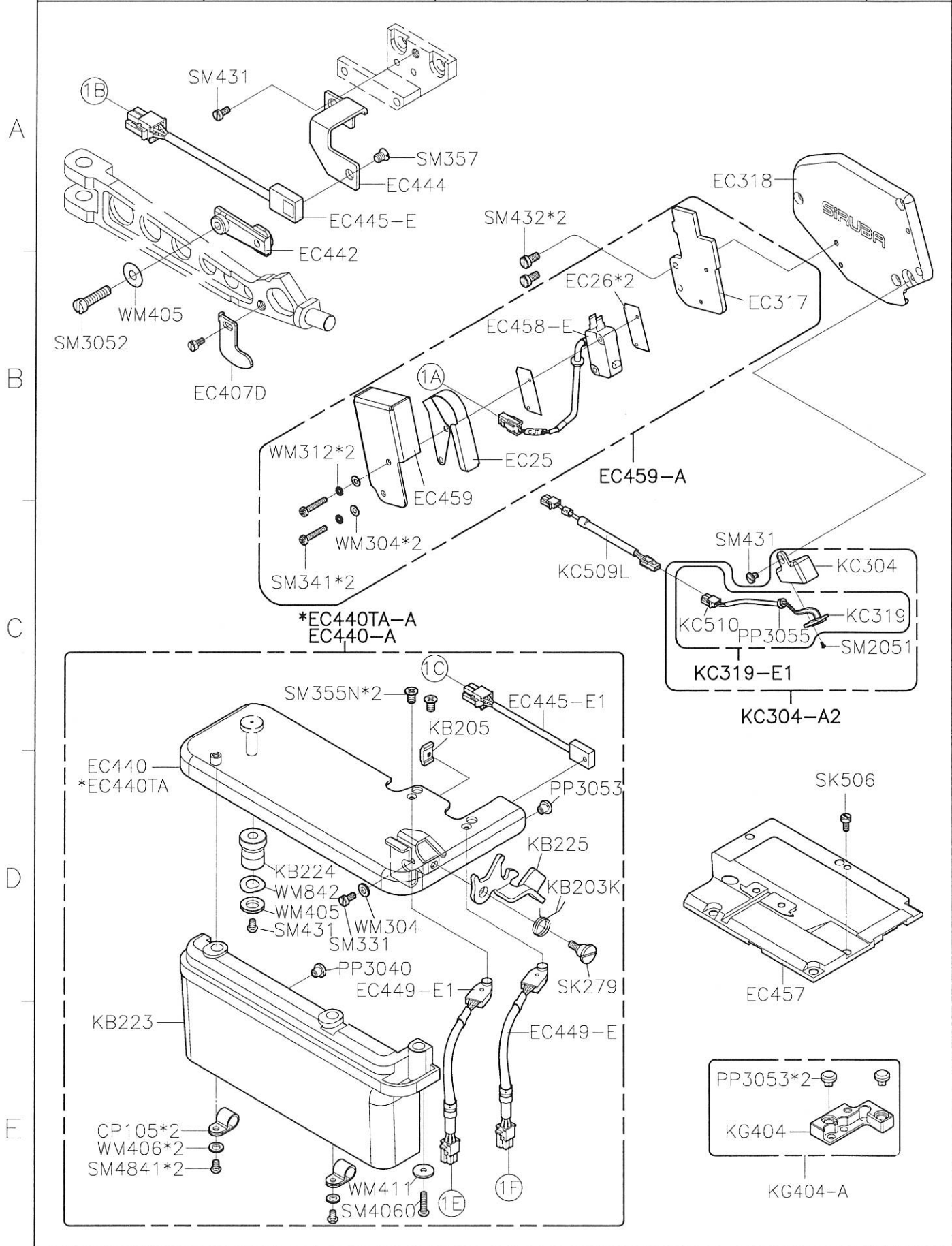
1/5

Date

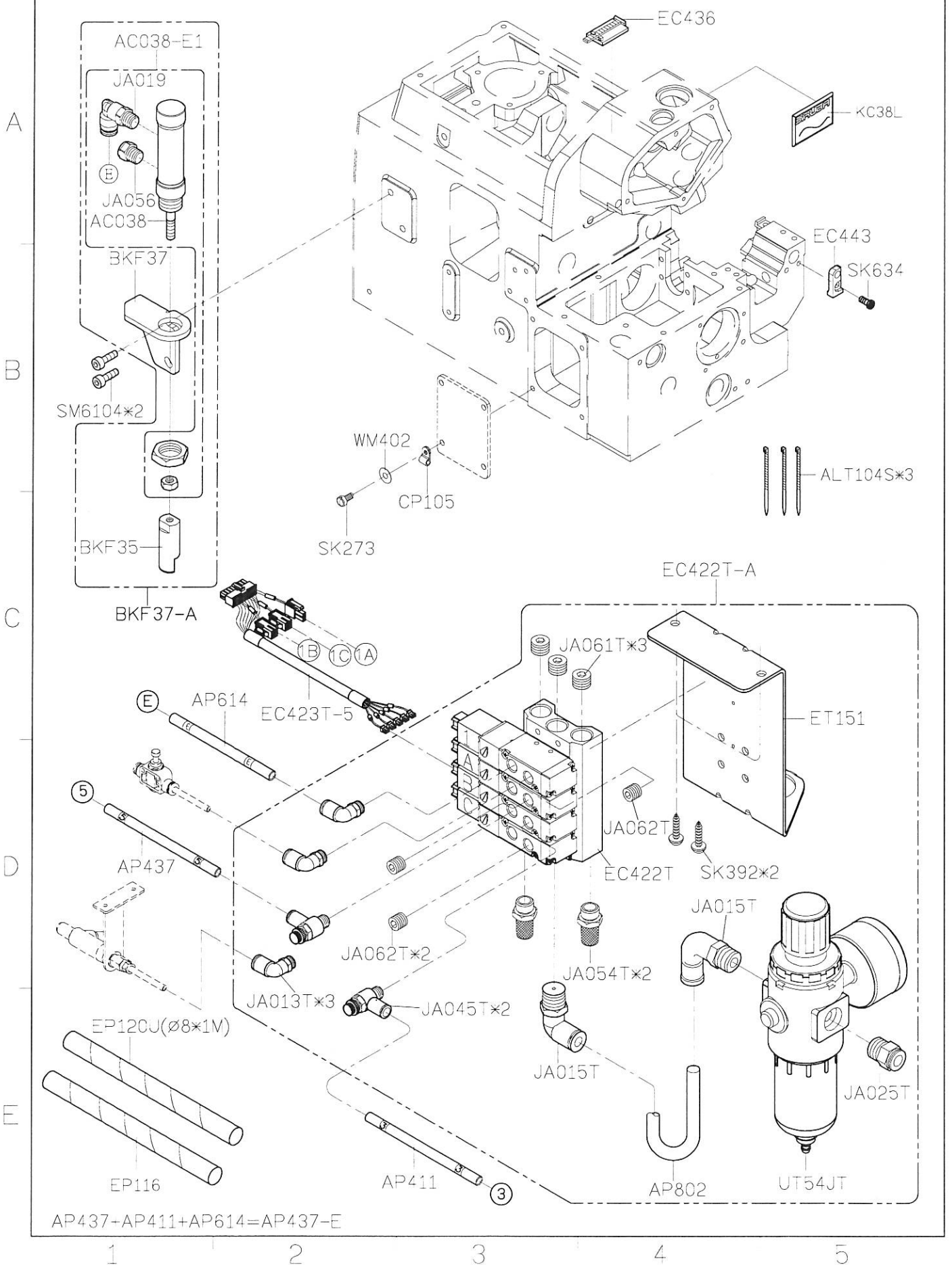
2021/12/01



SIRUBA PARTS LIST	Series	Parts Group	Subclass / Remark	Page
	700L	ECA-L	*for TA device	2/5
				Date
				2025/06/09



SIRUBA PARTS LIST	Series	Parts Group	Subclass / Remark	Page
	700L	ECA-L		3/5
				Date
				2022/12/19



SIRUBA PARTS LIST	Series	Parts Group	Subclass / Remark	Page
	700L	ECA-L		4/5
				Date
				2021/12/01

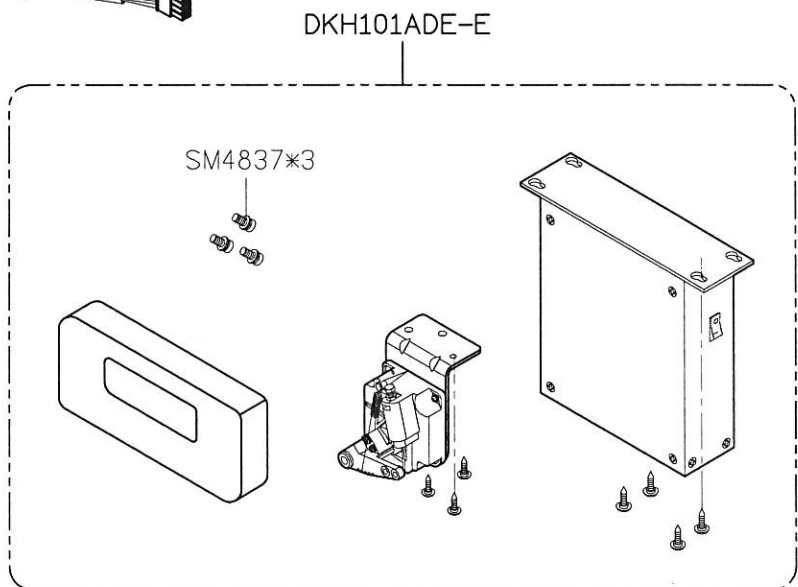
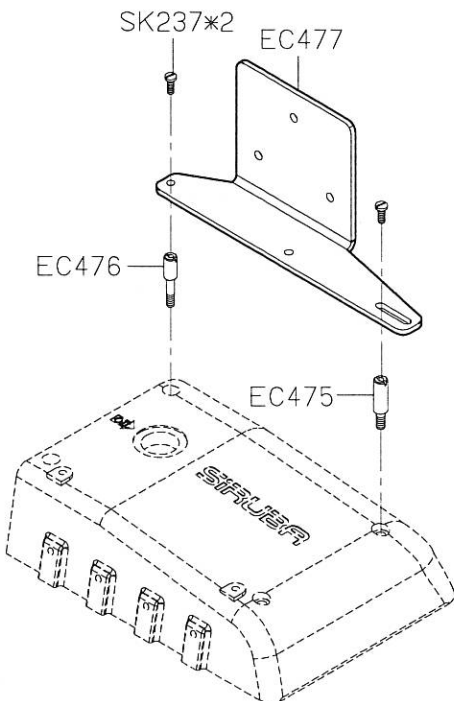
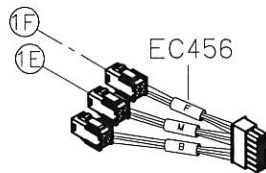
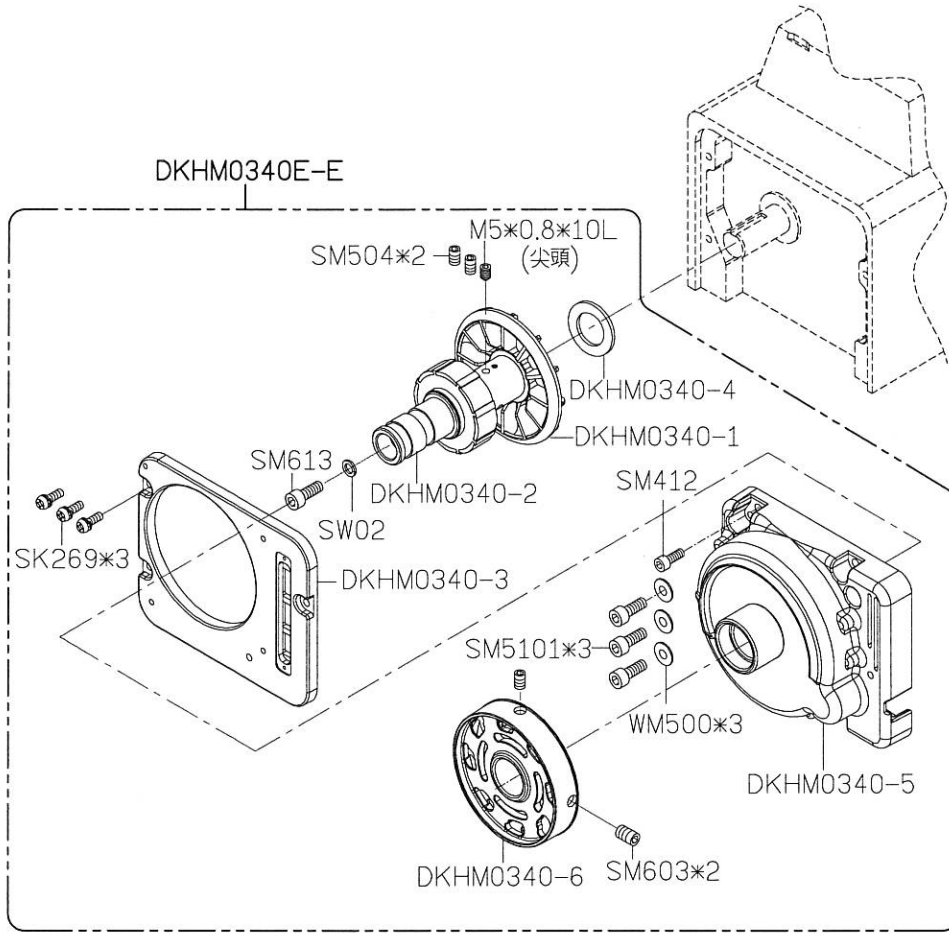
A

B

C

D

E



1

2

3

4

5

SIRUBA PARTS LIST	Series	Parts Group	Subclass / Remark	Page
	700L	ECA-L		5/5
				Date
				2021/12/01

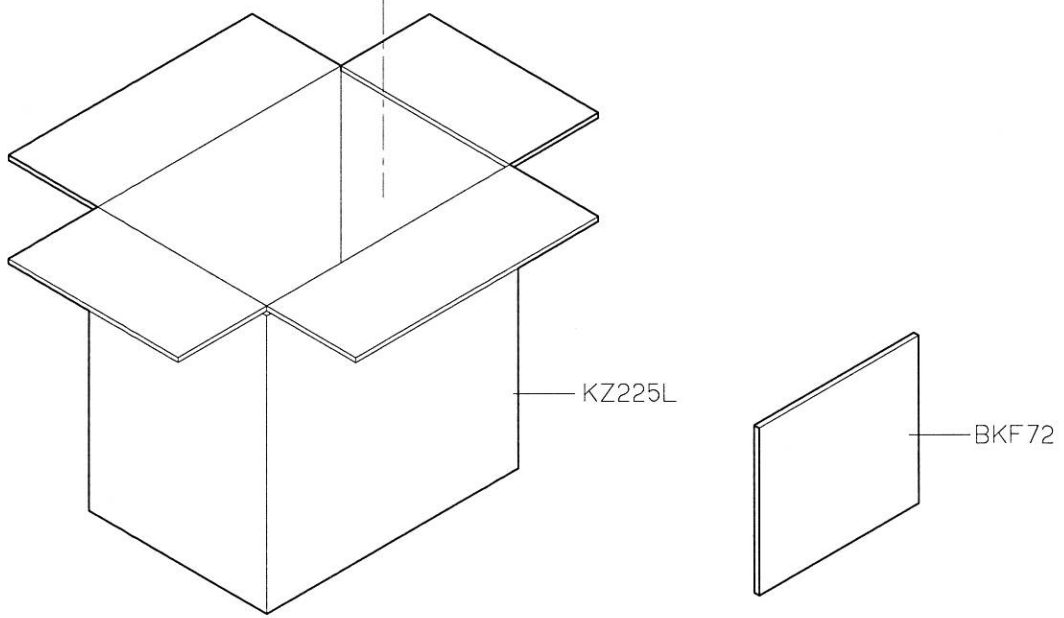
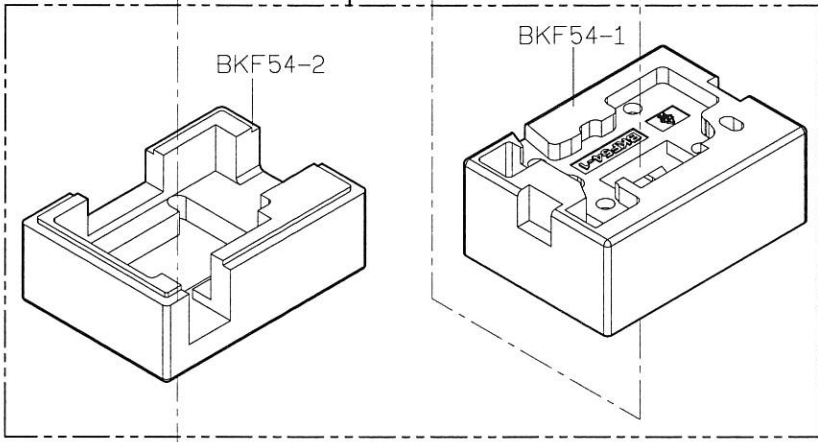
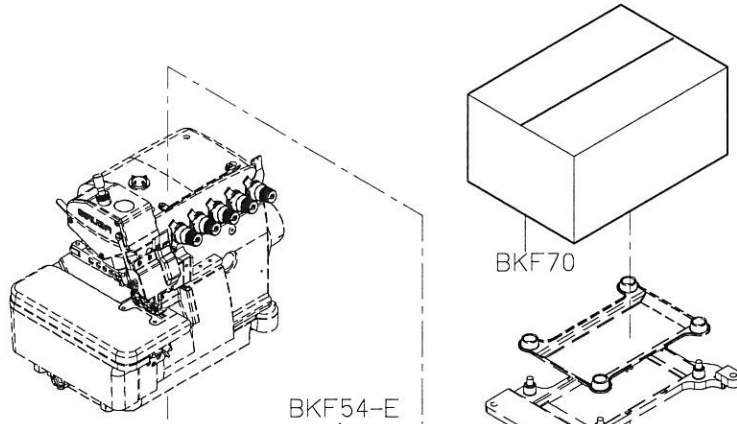
A

B

C

D

E



1

2

3

4

5

SIRUBA PARTS LIST	Series	Parts Group	Subclass / Remark	Page
	700K	ECA-U	△FOR 700K用 *FOR 700L用	2/4
	700L			Date
				2022/11/03

面膜	控制箱	使用語系
EC441U-1	DKU101ADE-E1	中文, 英文
EC441U-3	DKU103ADE-E1	英文, 越文

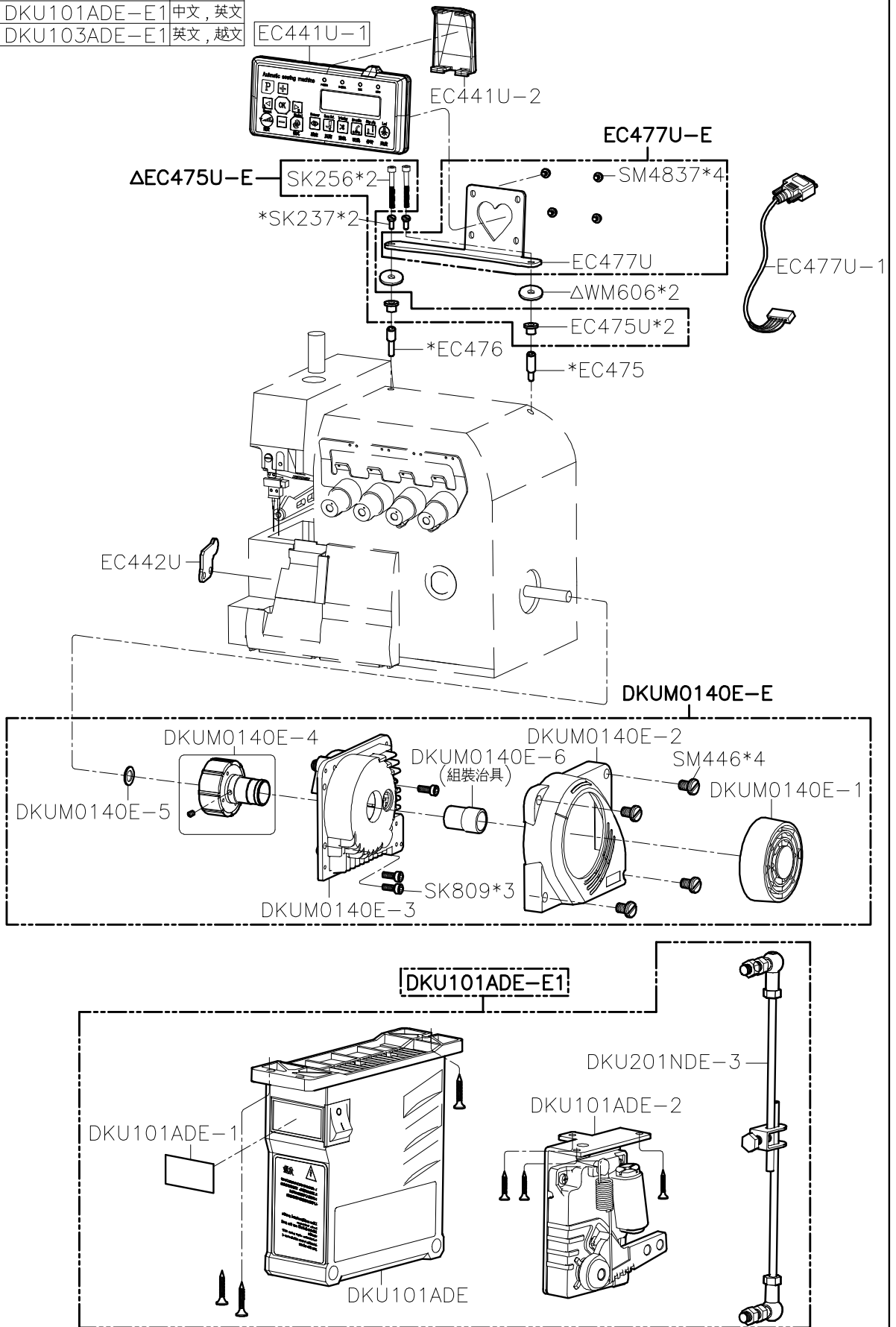
A

B

C

D

E



1

2

3

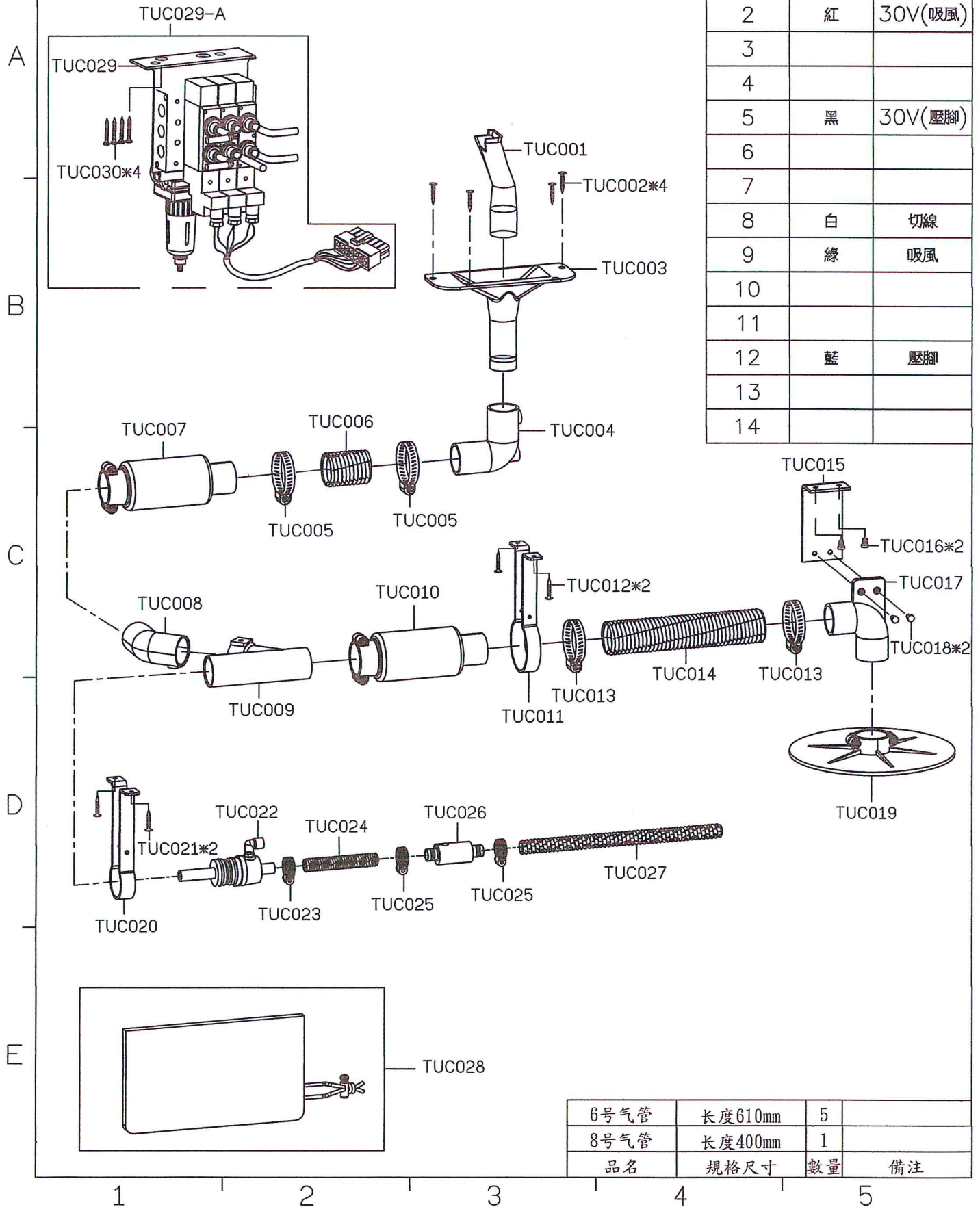
4

5

TUC-01

Housing:H6657R1-14
PIN:6657TP

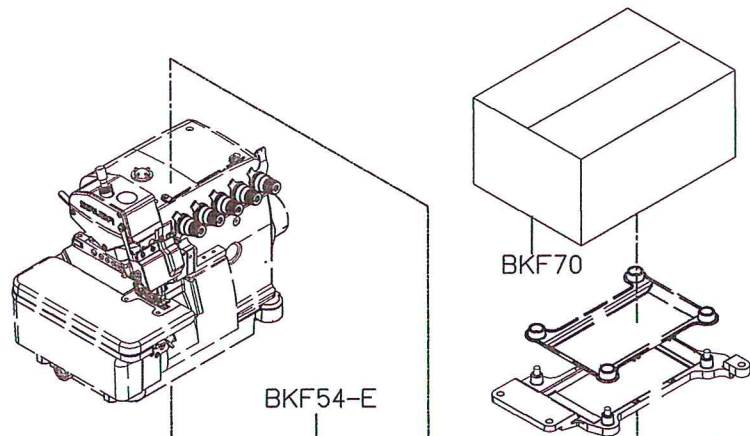
脚序	颜色	备注
1	黄	30V(切线)
2	红	30V(吸风)
3		
4		
5	黑	30V(压脚)
6		
7		
8	白	切线
9	绿	吸风
10		
11		
12	蓝	压脚
13		
14		



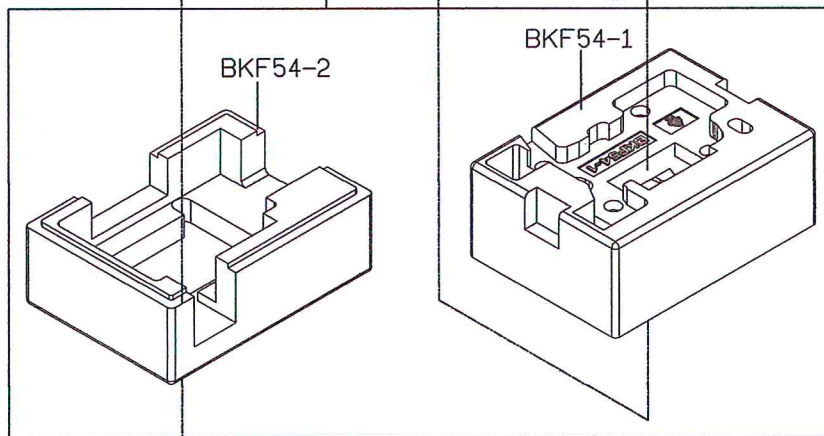
6号气管	长度610mm	5	
8号气管	长度400mm	1	
品名	规格尺寸	数量	备注

SIRUBA PARTS LIST	Series	Parts Group	Subclass / Remark	Page
	700K	ECA-U		4/4
	700L			Date
				2018/09/27

A

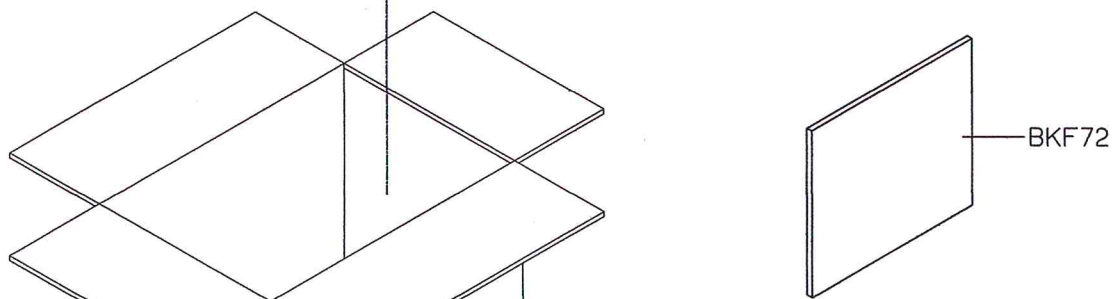


B



C

D



E

1

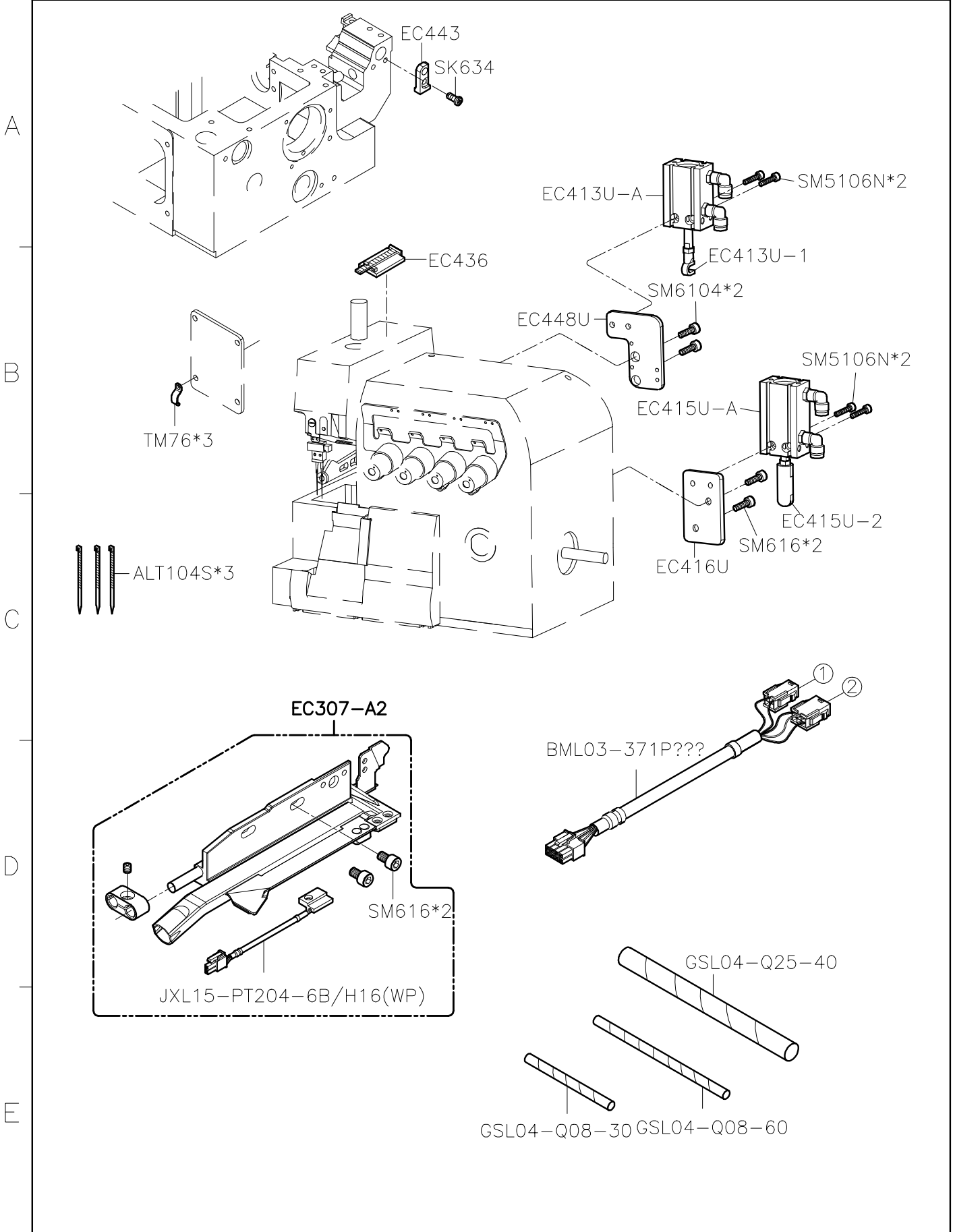
2

3

4

5

SIRUBA PARTS LIST	Series	Parts Group	Subclass / Remark	Page
	700L	ECA-P	For IOT	1/5
				Date
				2023/08/30



1

2

3

4

5

SIRUBA

PARTS LIST

Series

700L

Parts Group

ECB-L

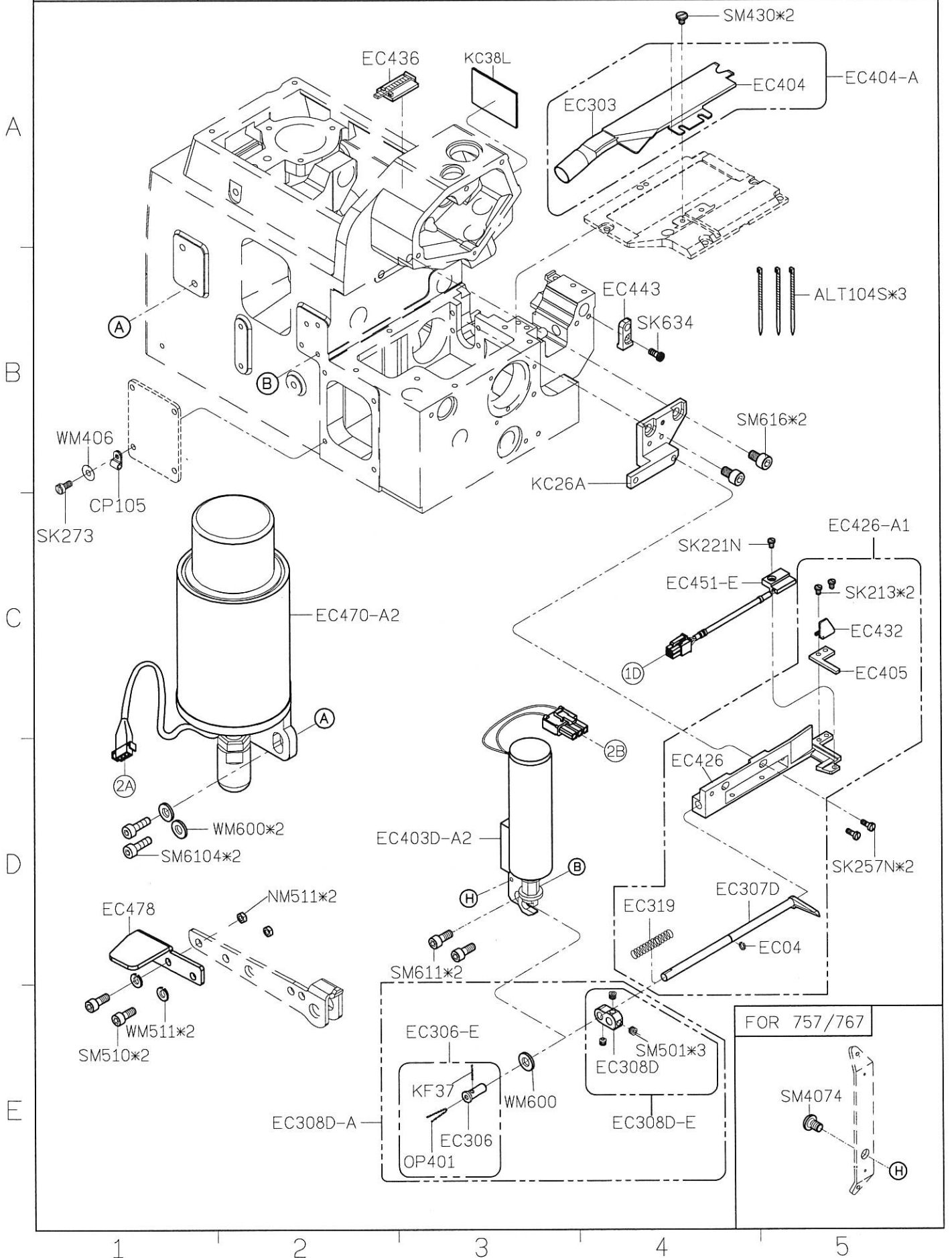
Subclass / Remark

Page

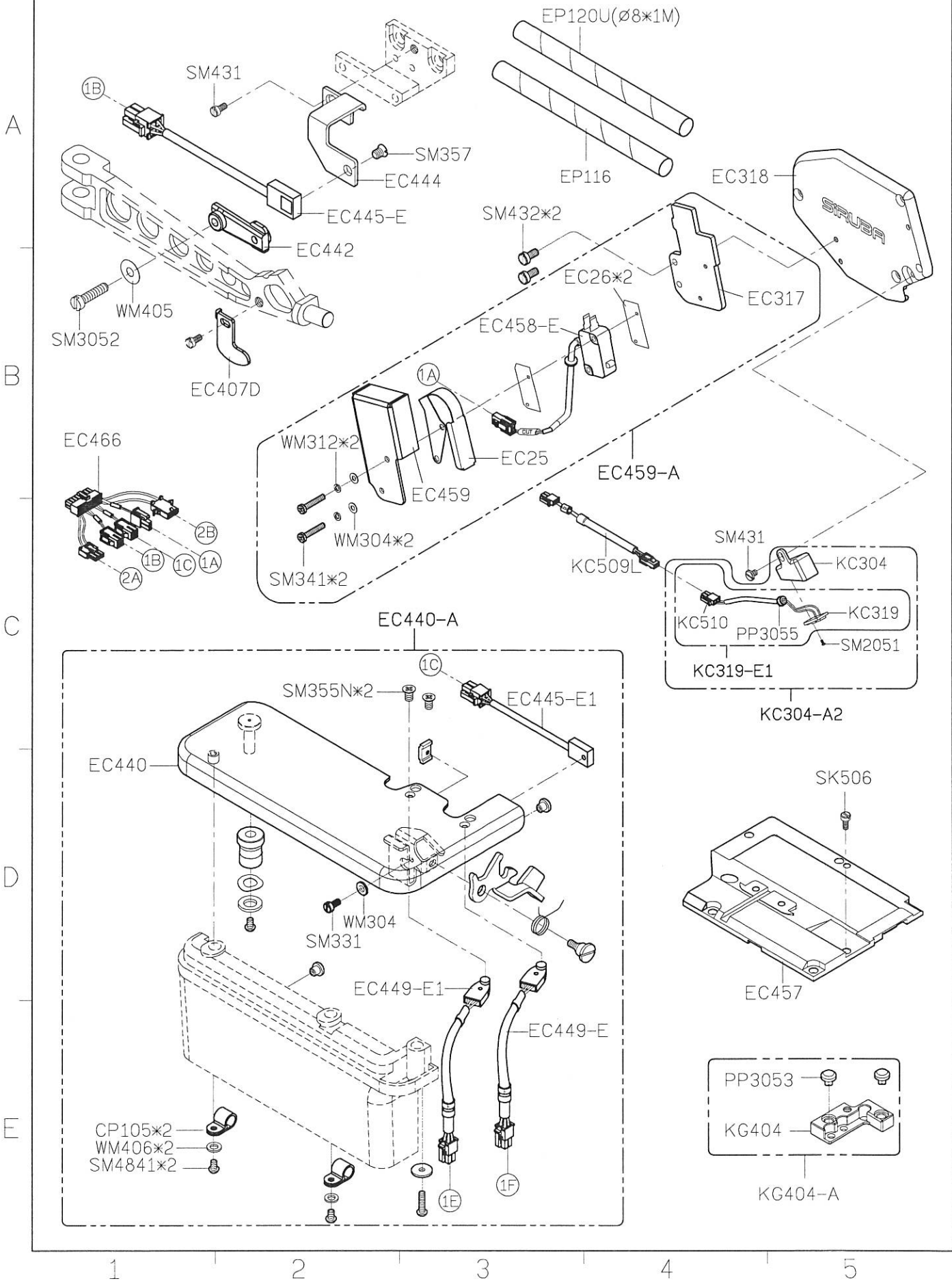
1/5

Date

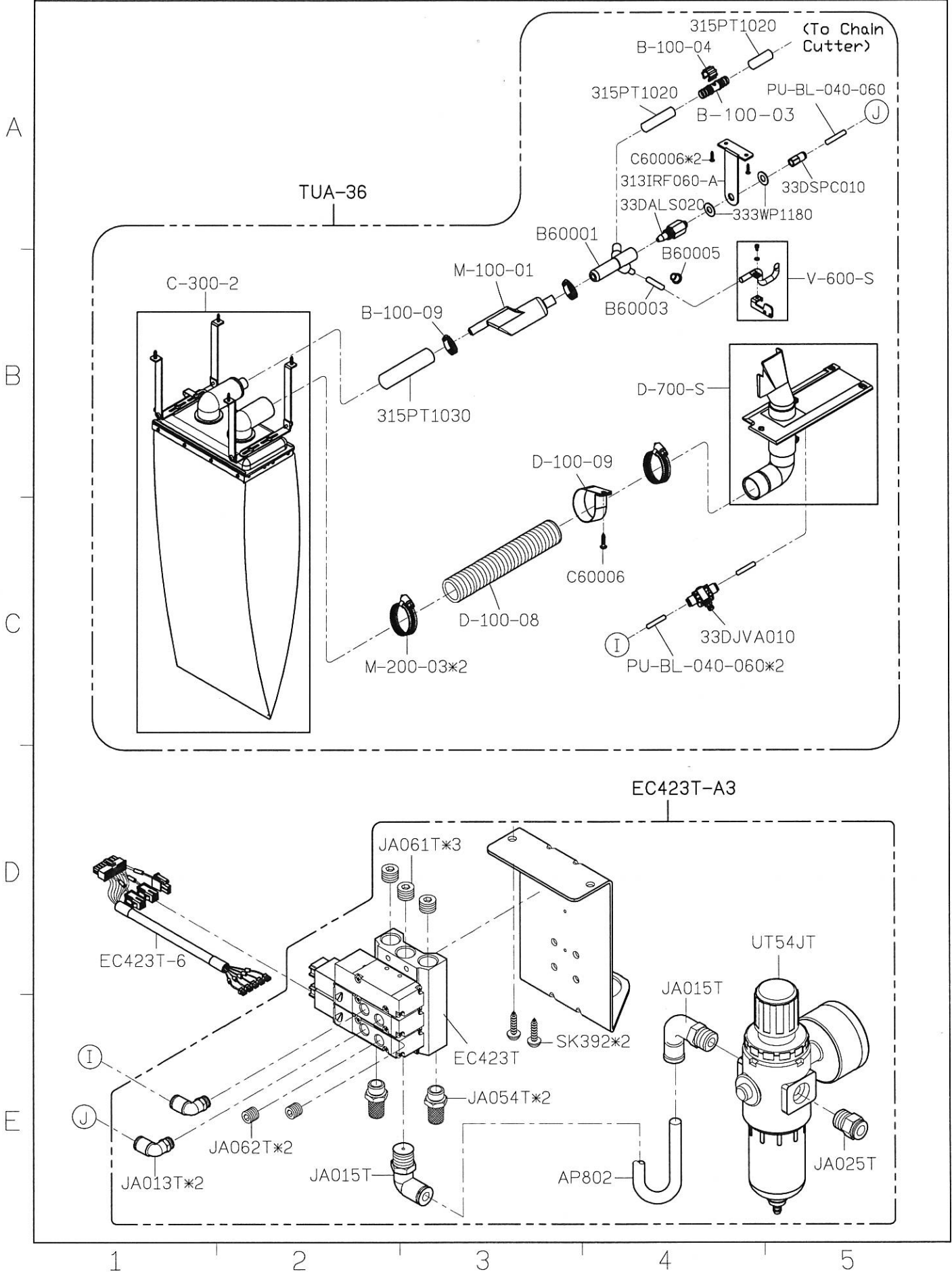
2021/12/01



SIRUBA PARTS LIST	Series	Parts Group	Subclass / Remark	Page
	700L	ECB-L		2/5
				Date
				2025/06/09



SIRUBA PARTS LIST	Series	Parts Group	Subclass / Remark	Page
	700L	ECB-L		3/5
				Date
				2021/12/01



SIRUBA PARTS LIST	Series	Parts Group	Subclass / Remark	Page
	700L	ECB-L		4/5
				Date
				2021/12/01

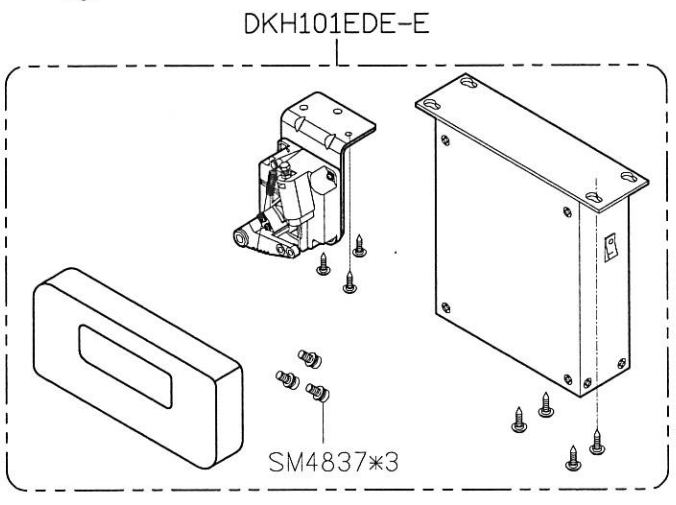
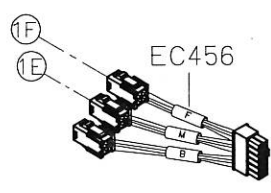
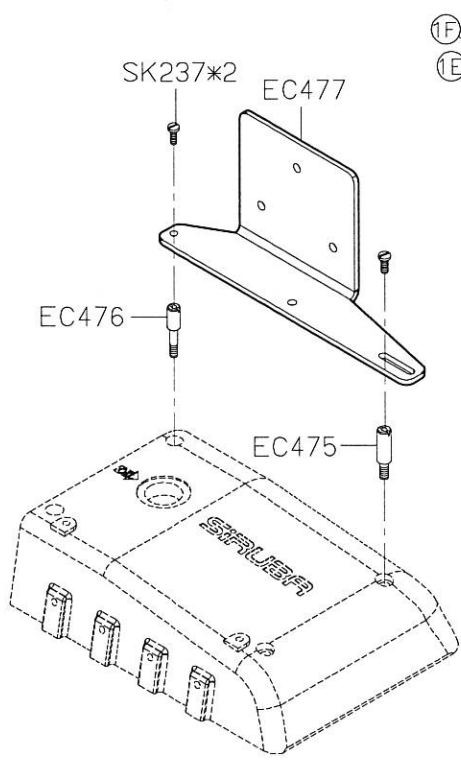
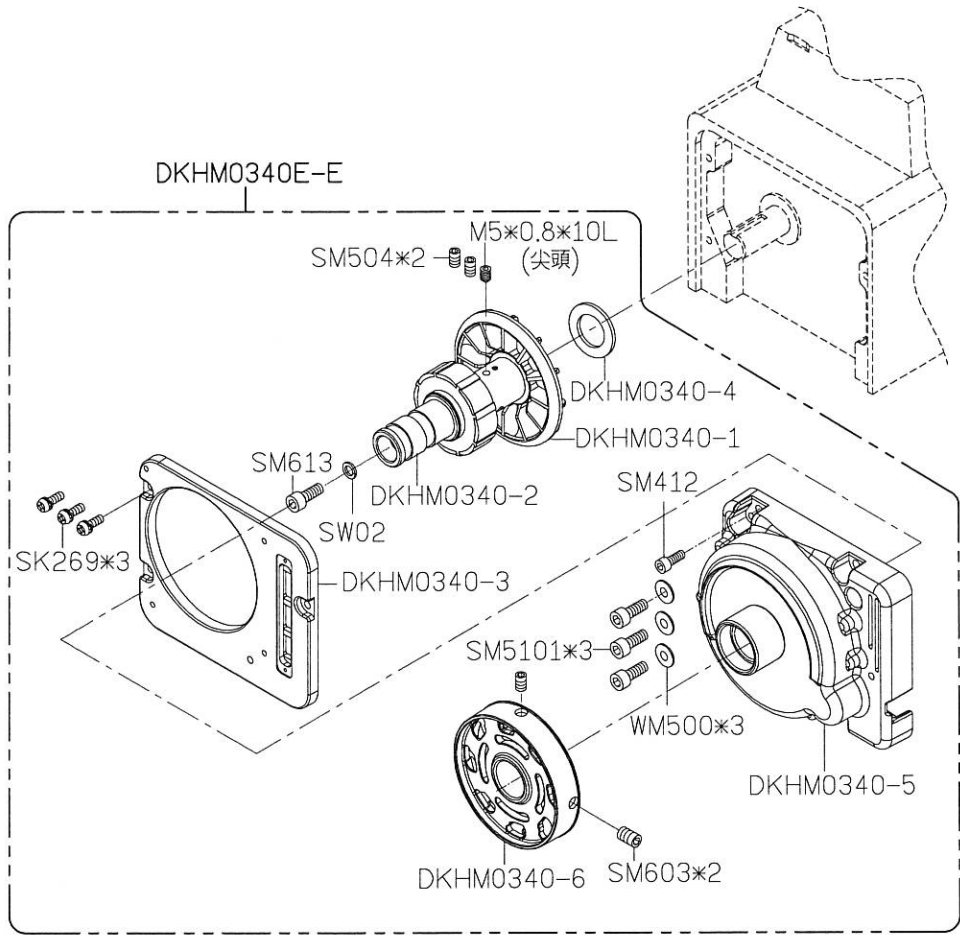
A

B

C

D

E



1

2

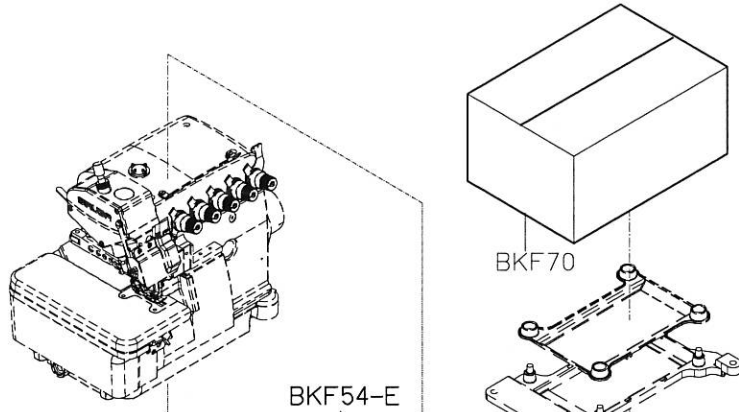
3

4

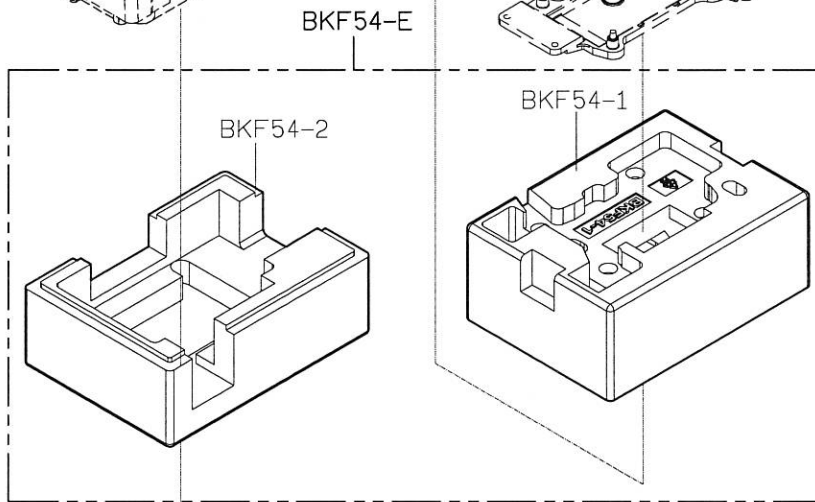
5

SIRUBA PARTS LIST	Series	Parts Group	Subclass / Remark	Page
	700L	ECB-L		5/5
				Date
				2021/12/01

A

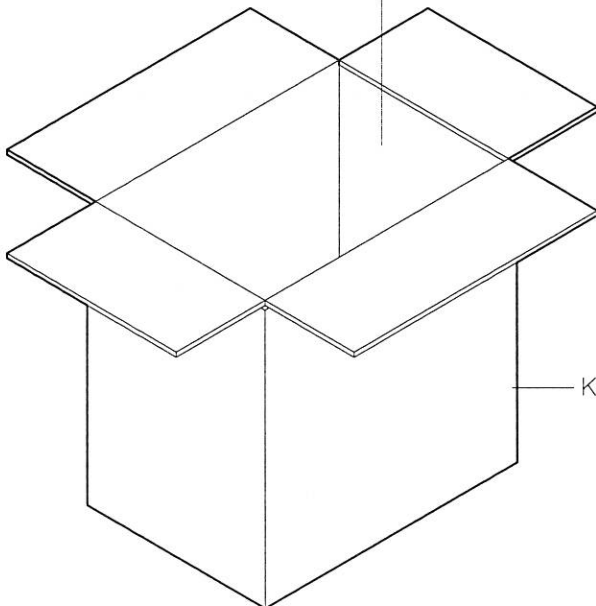


B

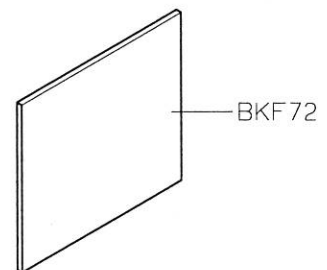


C

D



E



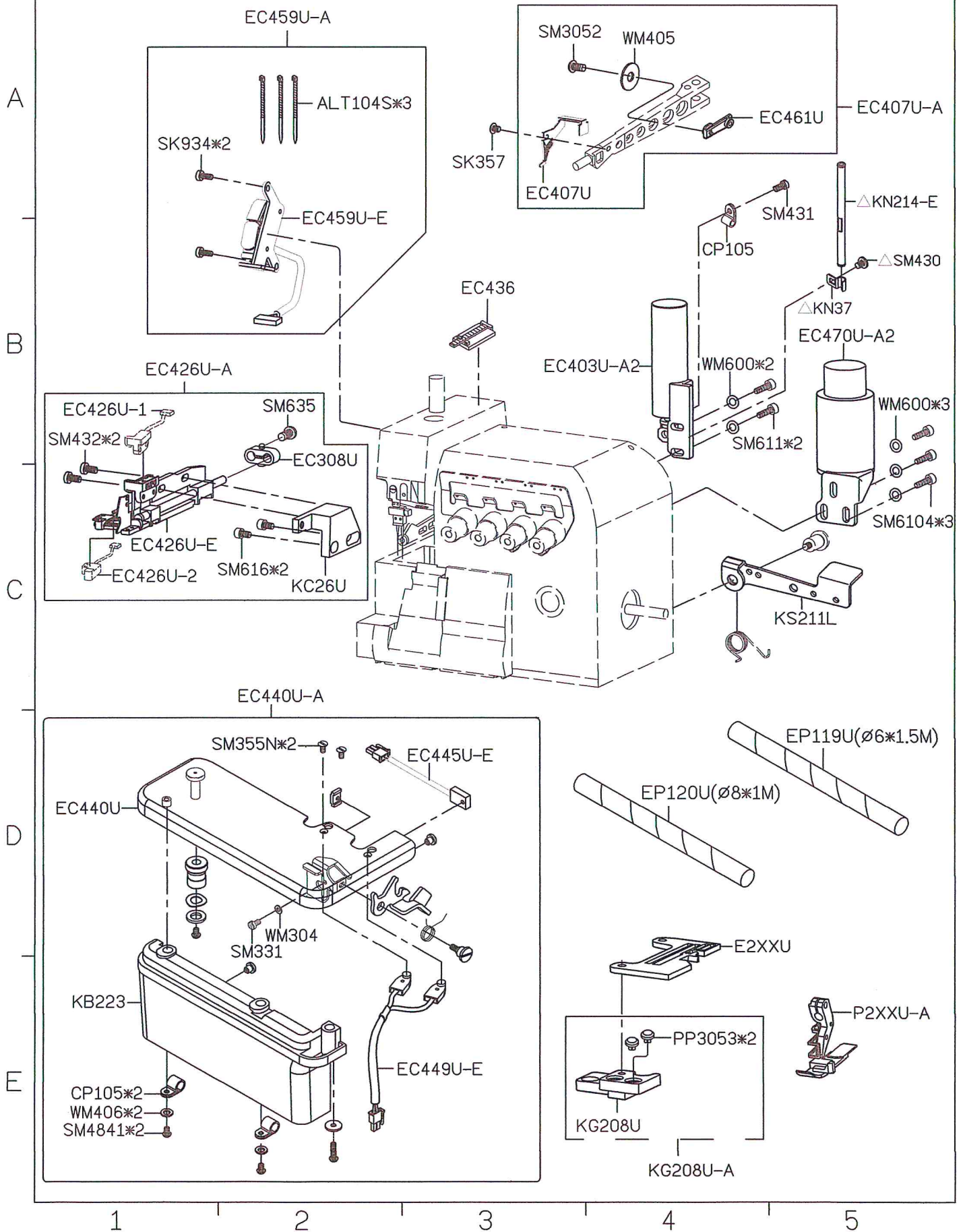
1

2

3

4

5



SIRUBA PARTS LIST	Series	Parts Group	Subclass / Remark	Page
	700K	ECB-U	△FOR 700K用 *FOR 700L用	2/4
	700L			Date
				2022/11/03

面膜	控制箱	使用語系
EC441U-1	DKU101ADE-E1	中文, 英文
EC441U-3	DKU103ADE-E1	英文, 越文

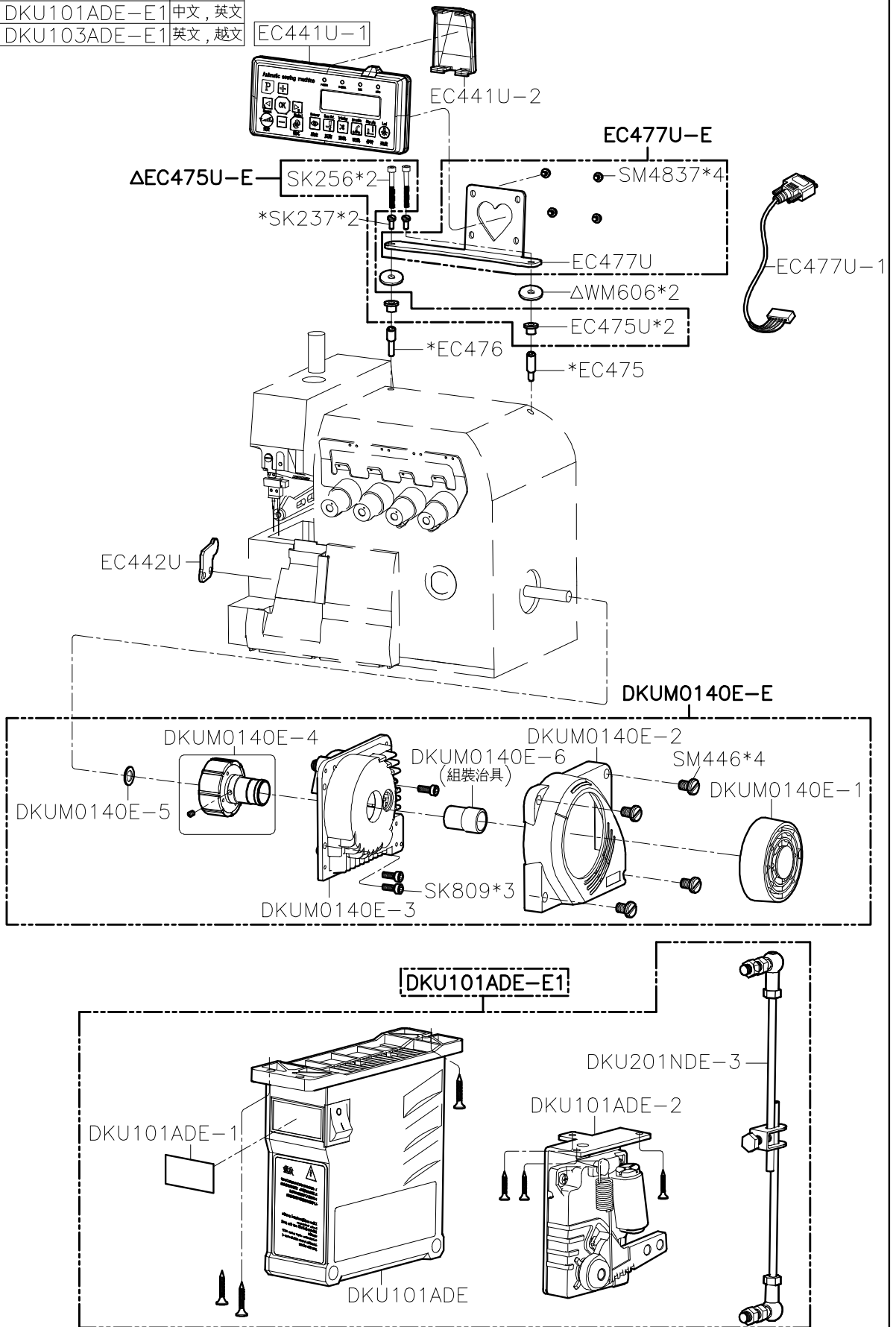
A

B

C

D

E



1

2

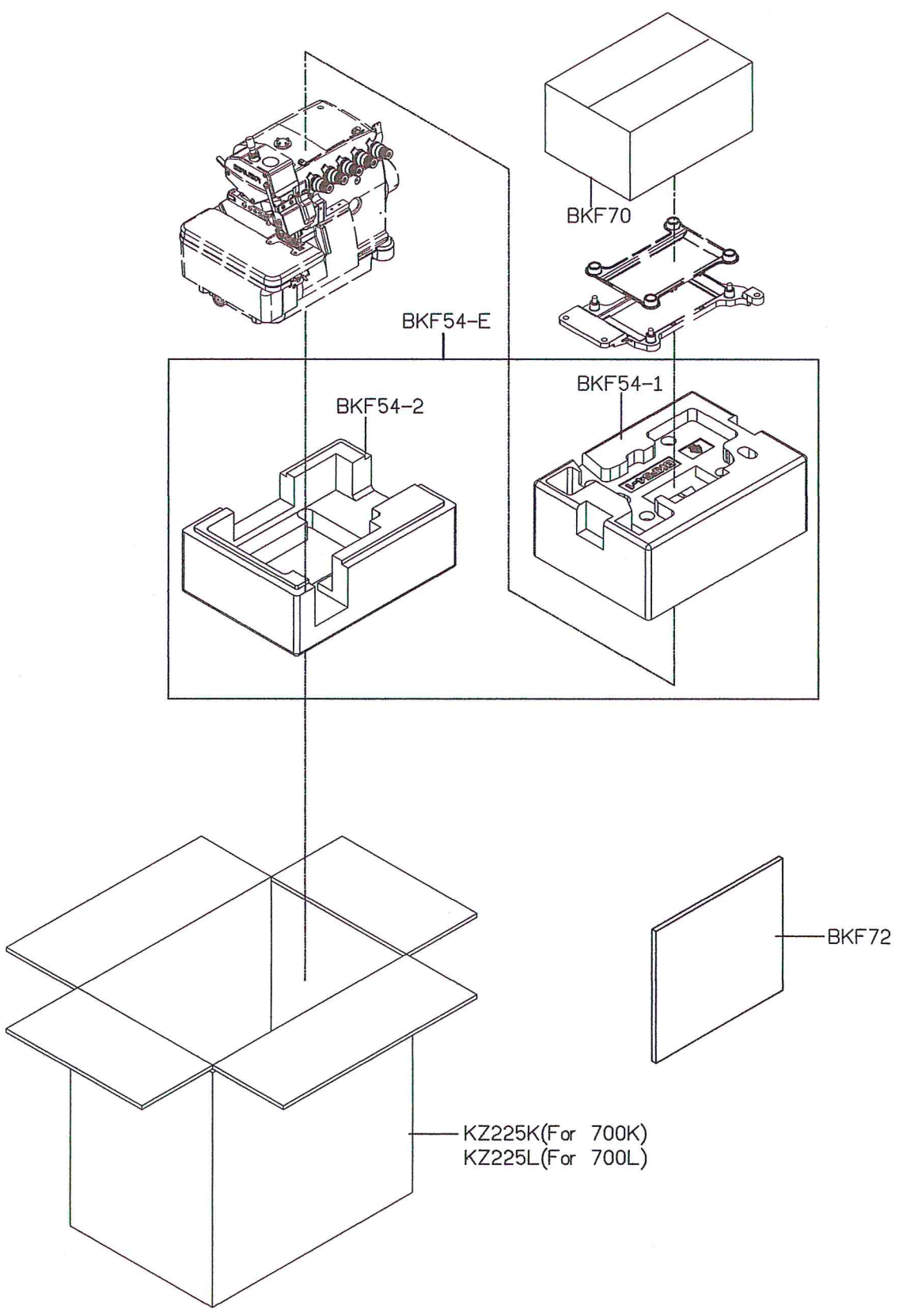
3

4

5

SIRUBA PARTS LIST	Series	Parts Group	Subclass / Remark	Page
	700K	ECB-U		4/4
	700L			Date
				2018/09/27

A
B
C
D
E



1 2 3 4 5

SIRUBA

PARTS LIST

Series

700L

Parts Group

GA-L

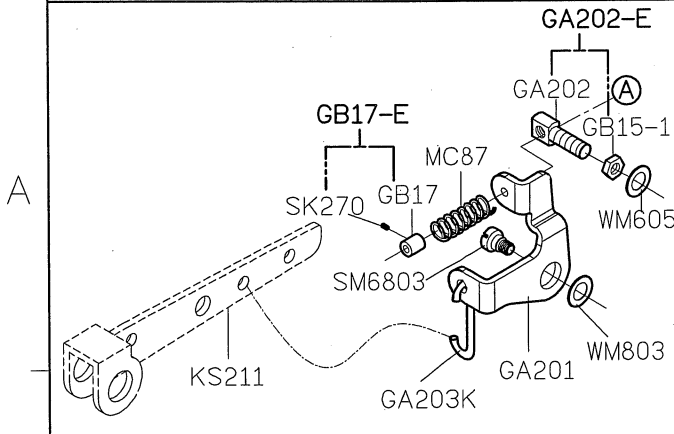
Subclass / Remark

Page

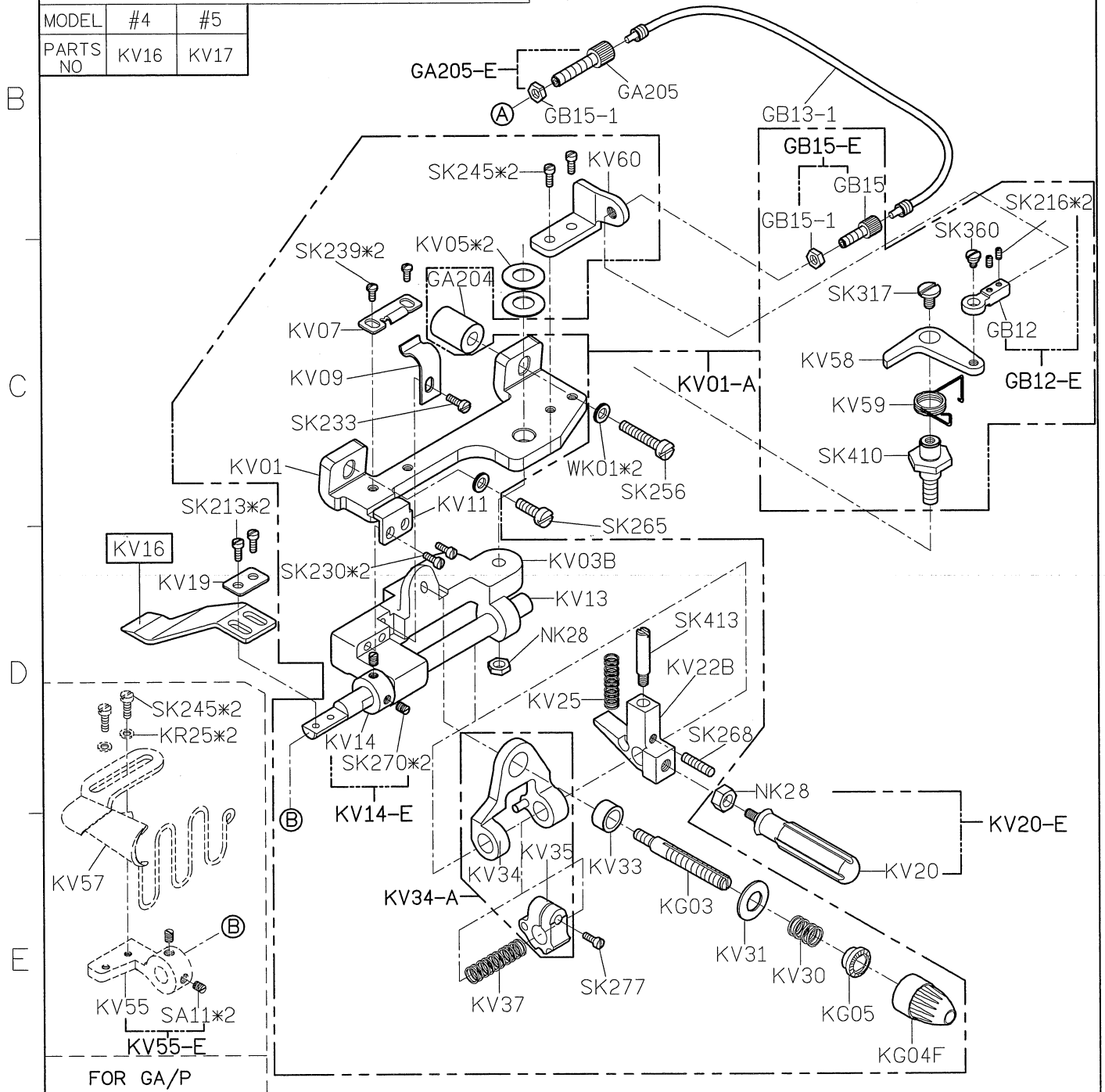
1/1

Date

2017/06/07



MODEL	#4	#5
PARTS NO	KV16	KV17



1

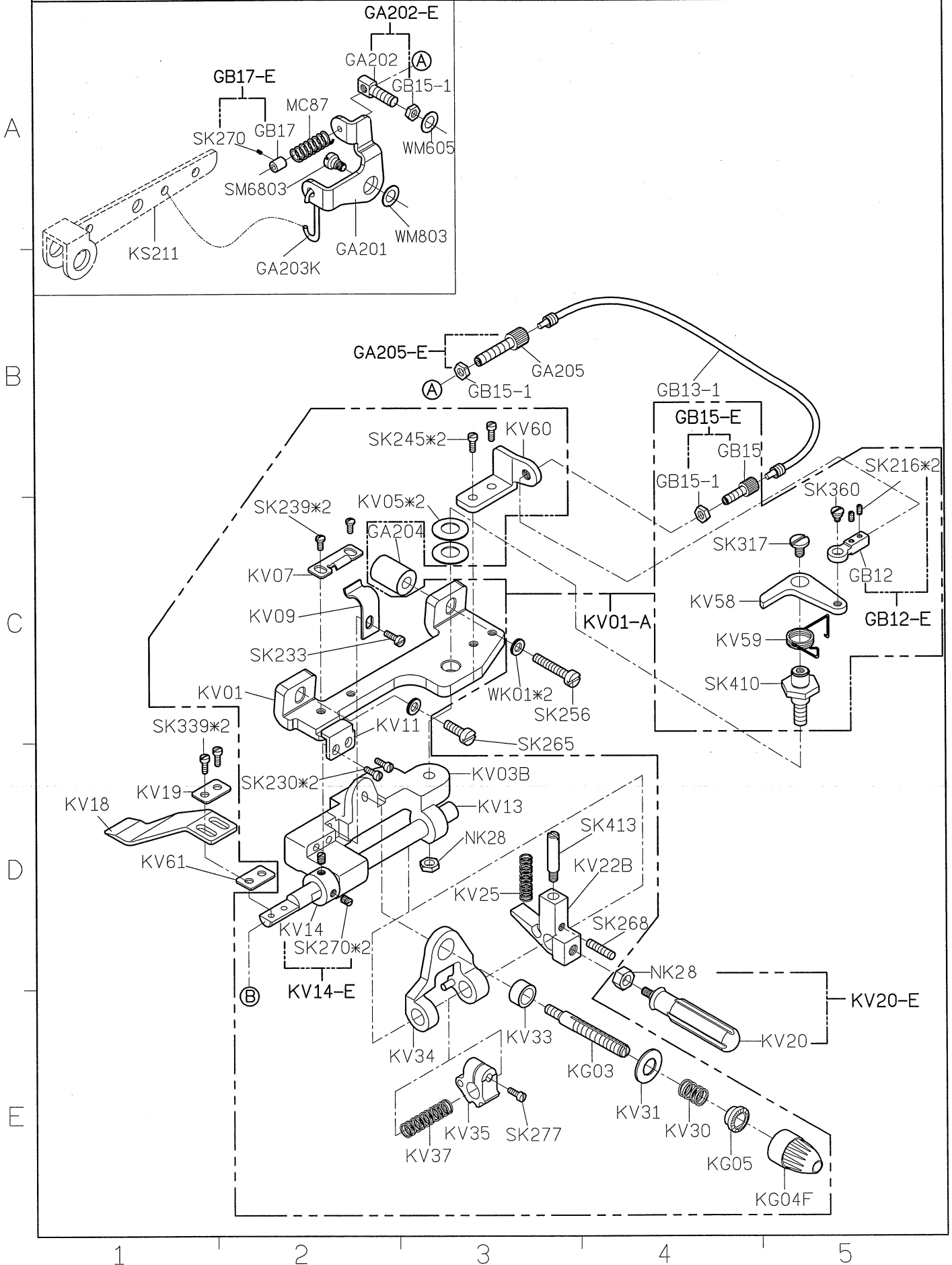
2

3

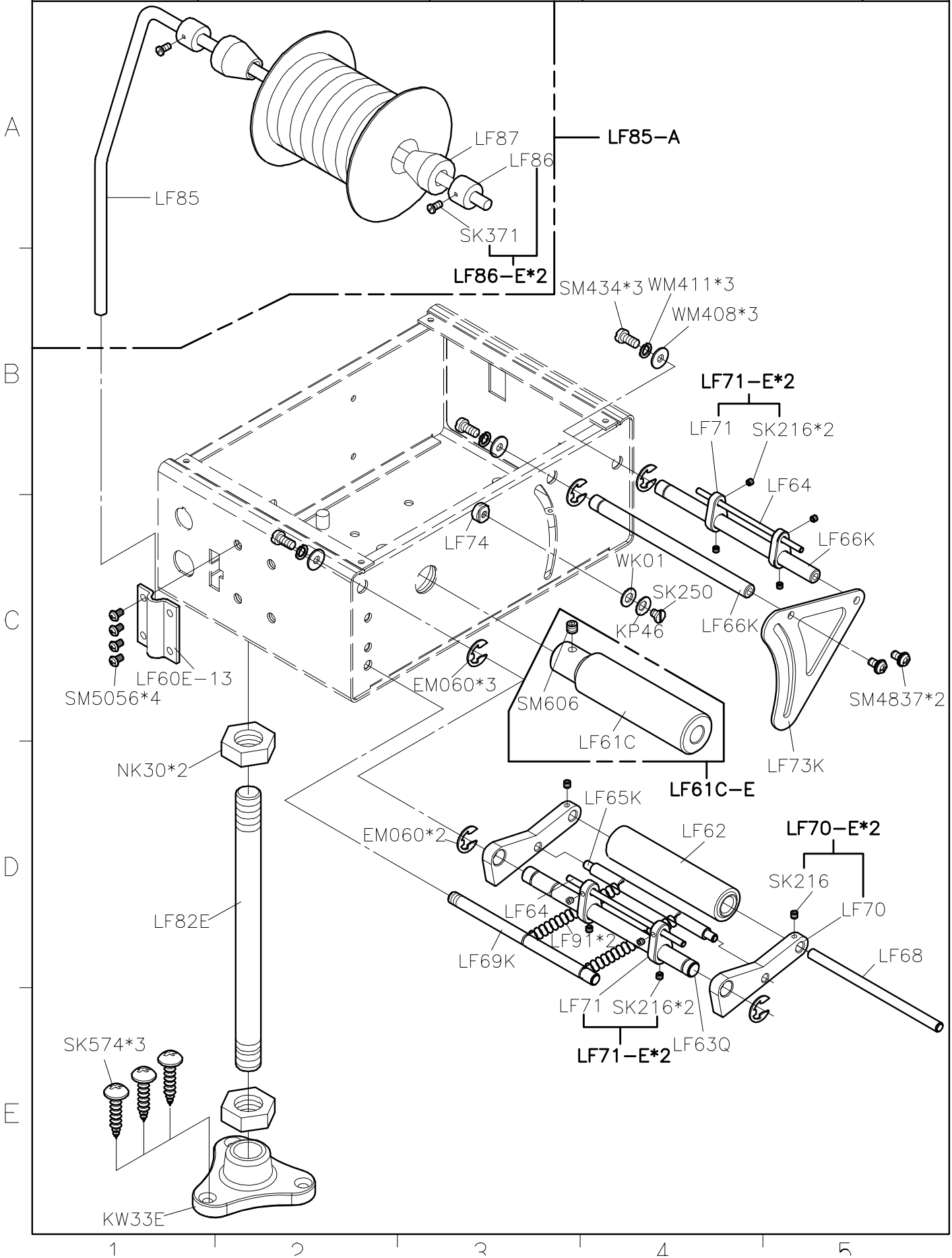
4

5

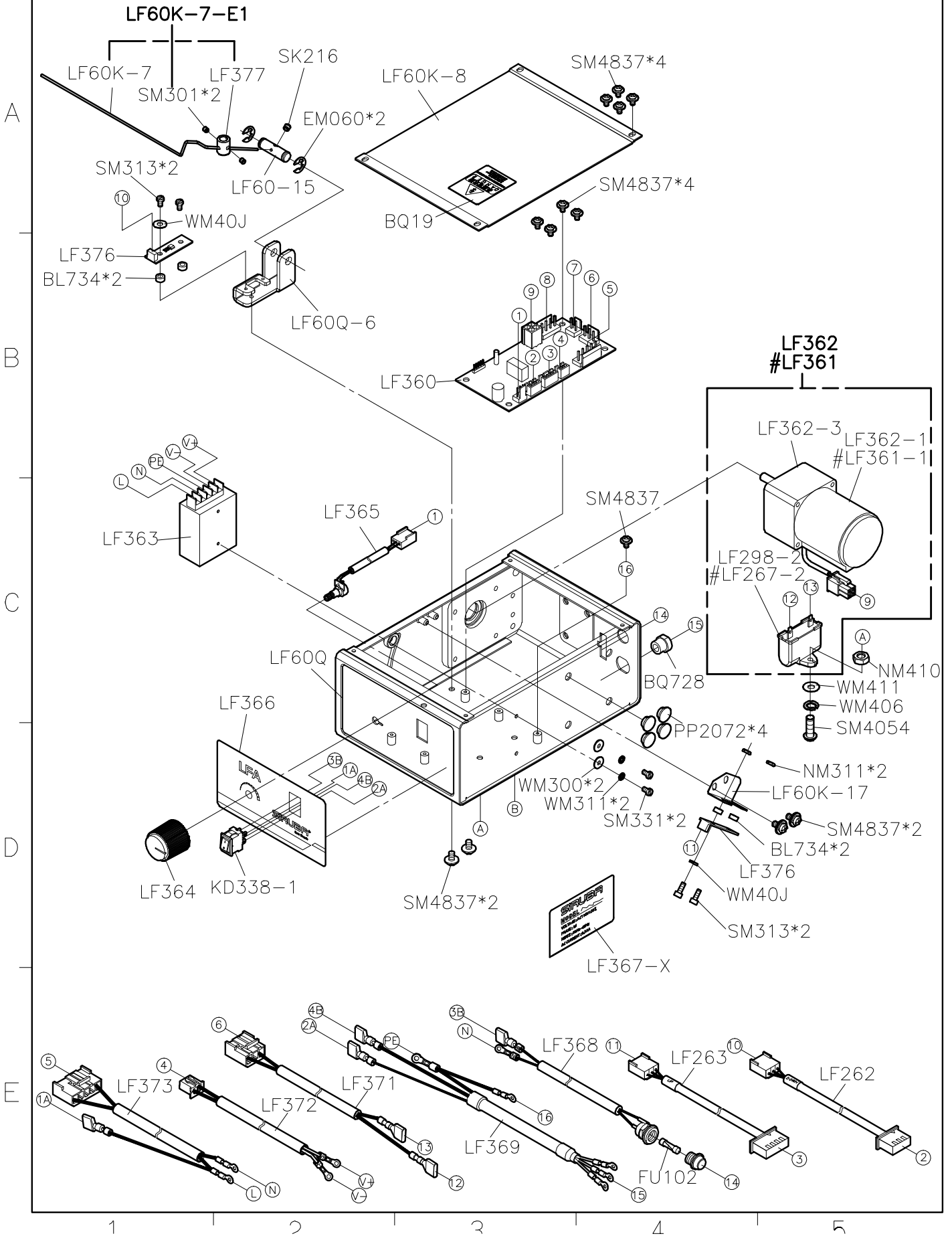
SiRUBA PARTS LIST	Series	Parts Group	Subclass / Remark	Page
	700L	GAL-L		1/1
				Date
				2017/06/07



SIRUBA PARTS LIST	Series	Parts Group	Subclass / Remark	Page
	700L	LFA		1/3
				Date
				2022/12/01

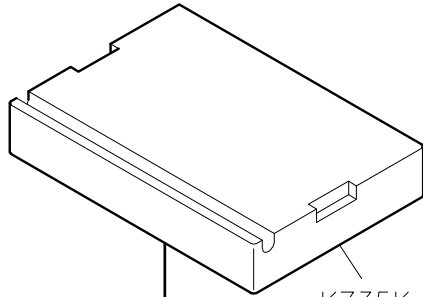


SIRUBA PARTS LIST	Series	Parts Group	Subclass / Remark	Page
	700L	LFA	#: Use for 110V	2/3
				Date
				2022/12/01



SIRUBA PARTS LIST	Series	Parts Group	Subclass / Remark	Page
	700L	LFA	#: Use for 110V	3/3
				Date
				2022/12/01

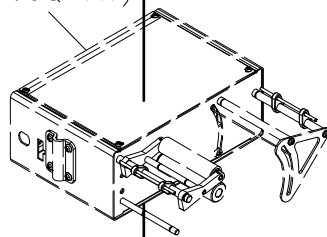
A



KZ35K-2

(LF60Q-A2)
 (#LF60Q-A1)

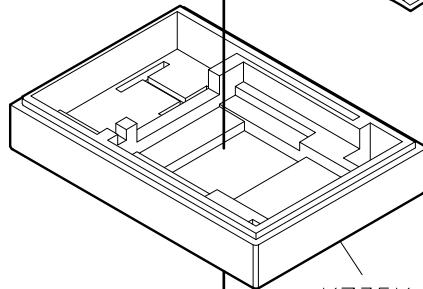
B



C

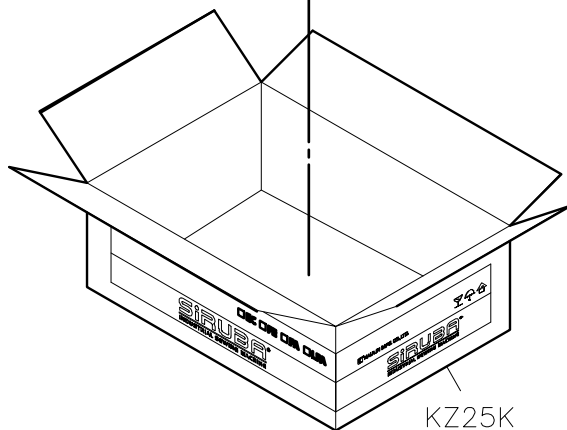
FU102*2

KZ03



KZ35K-1

D



KZ25K

E

1

2

3

4

5

SIRUBA

PARTS LIST

Series

700L

Parts Group

LFC3-K1

Subclass / Remark

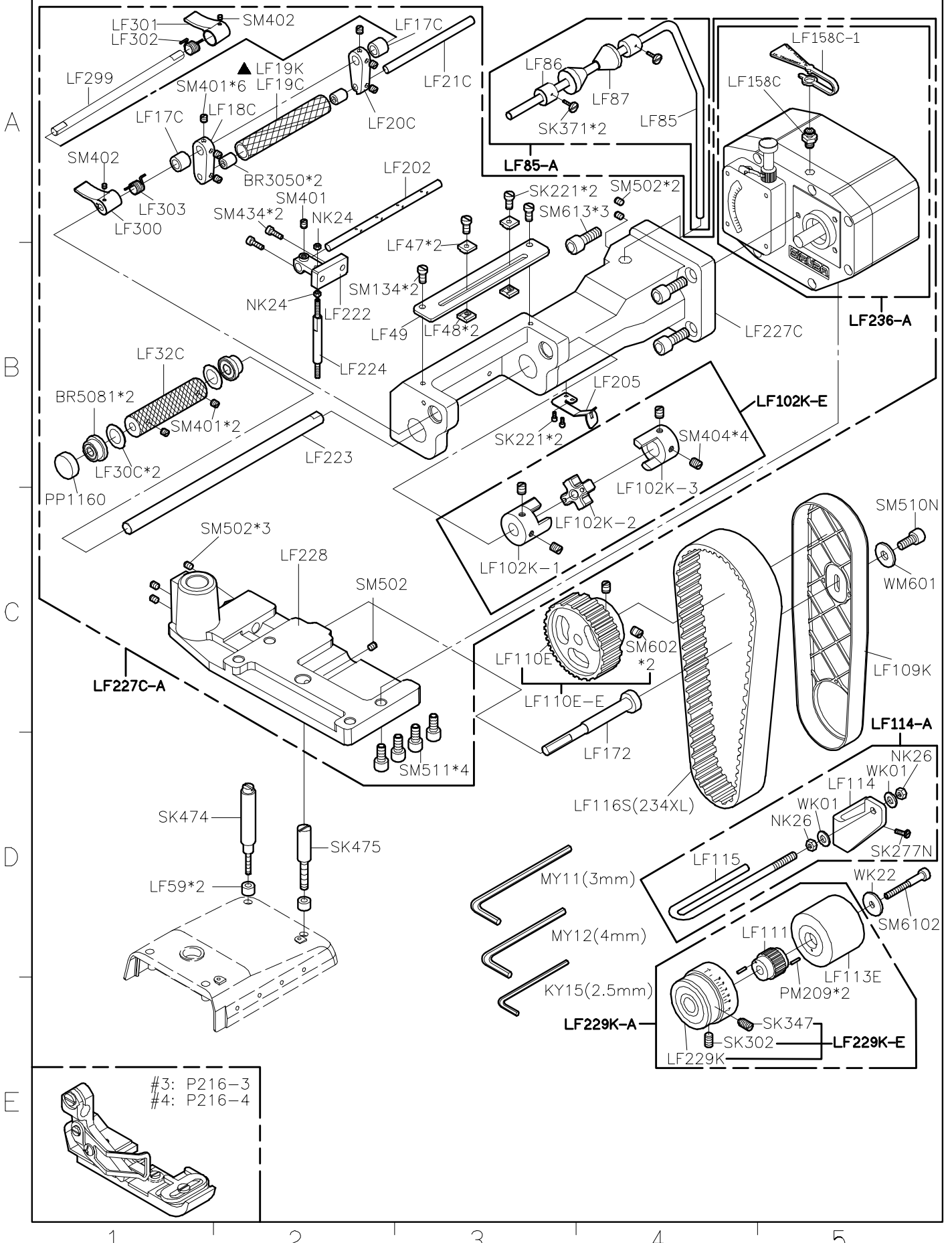
▲ 橡膠輪適用薄鬆緊帶
Rubber puller for thin elastic tape

Page

1/4

Date

2023/09/18



SIRUBA PARTS LIST	Series	Parts Group	Subclass / Remark	Page
	700L	LFC3-K1	For 速普簡易直驅	2/4
				Date
				2023/09/18

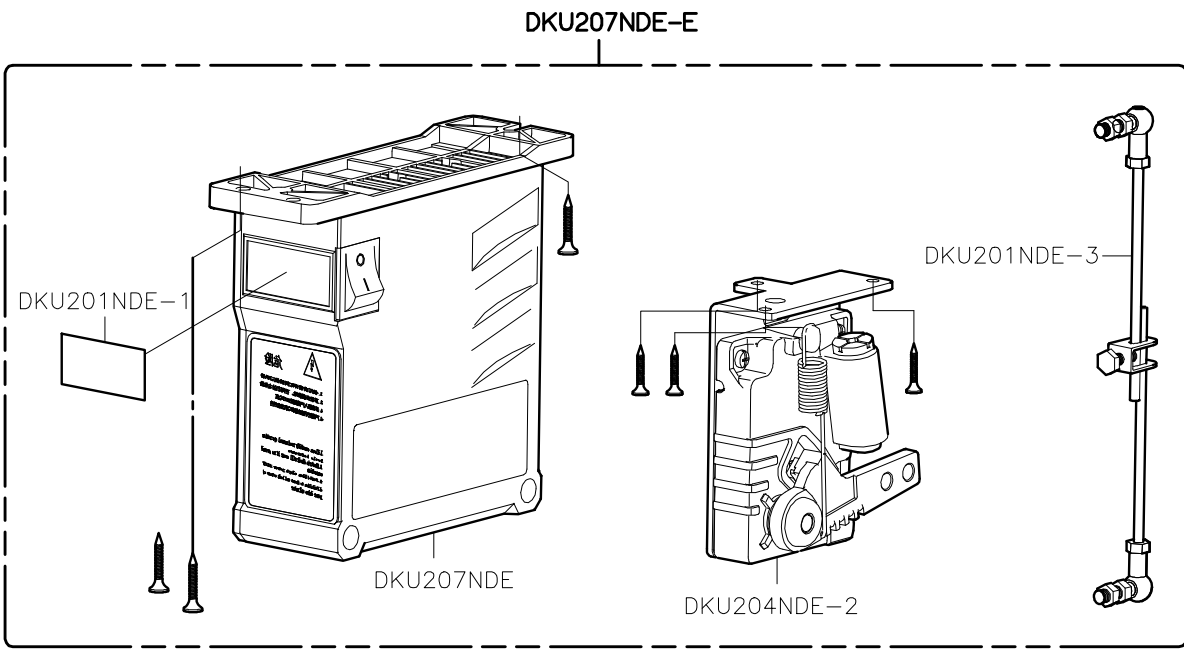
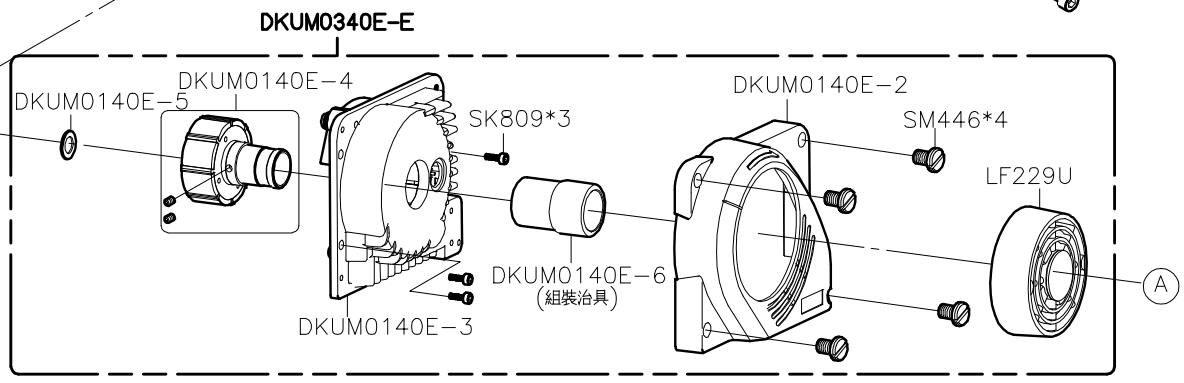
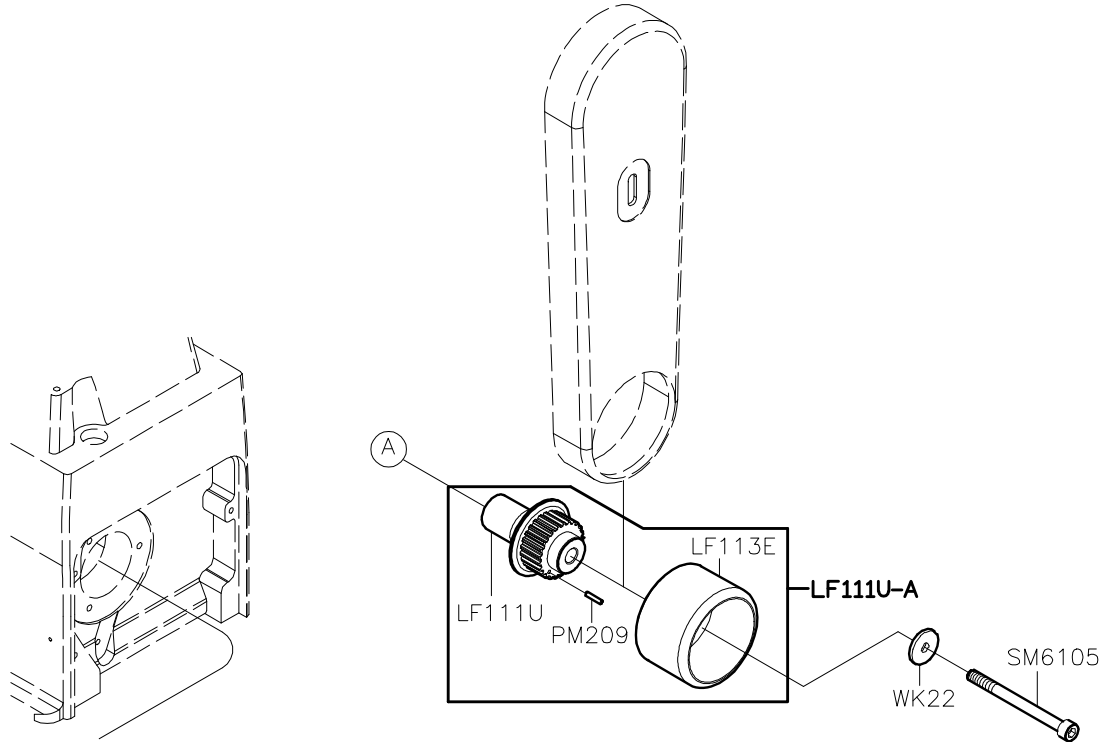
A

B

C

D

E



1

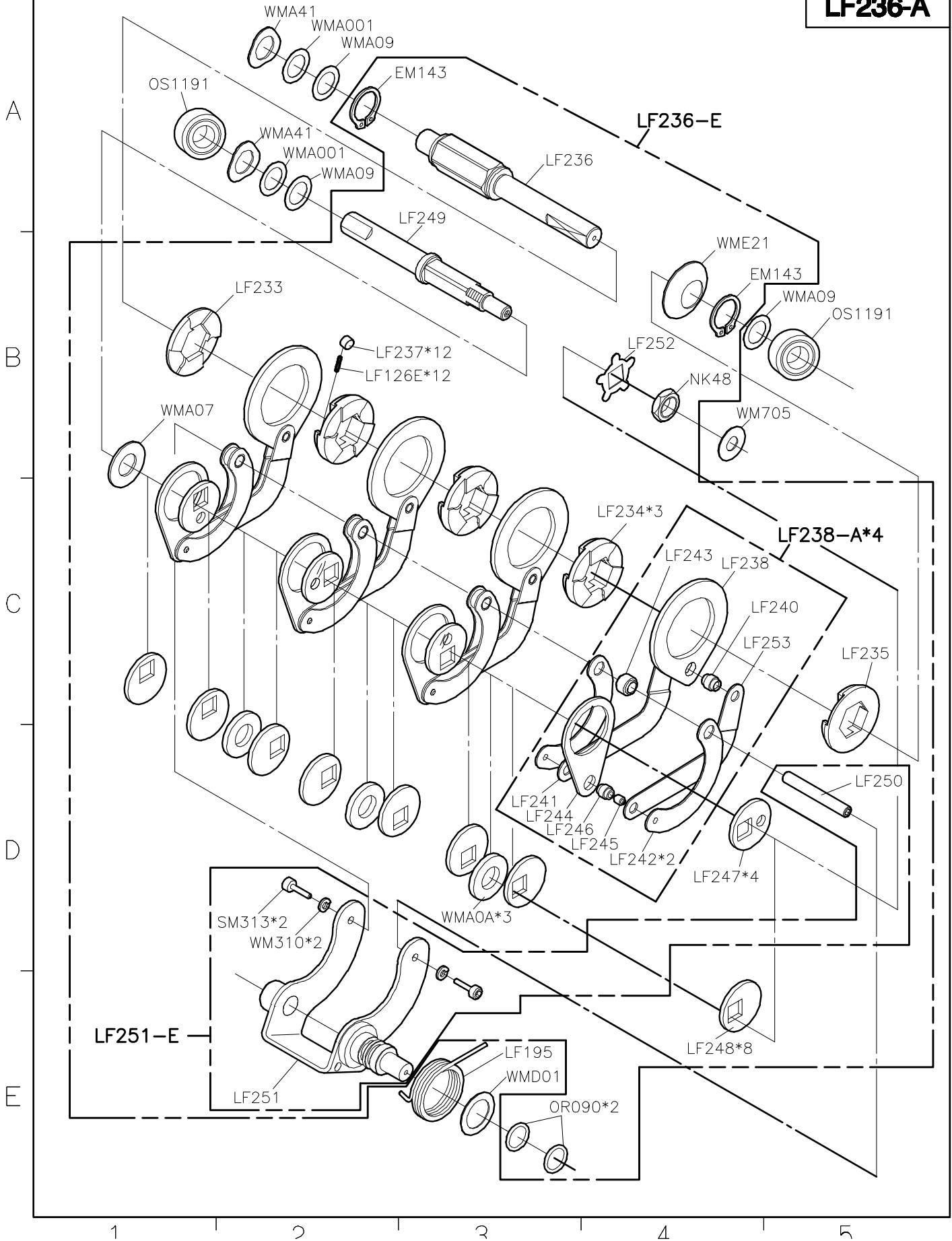
2

3

4

5

LF236-A



SIRUBA PARTS LIST	Series	Parts Group	Subclass / Remark	Page
	700L	LFC3-K1		4/4
				Date
				2023/09/18

LF236-A

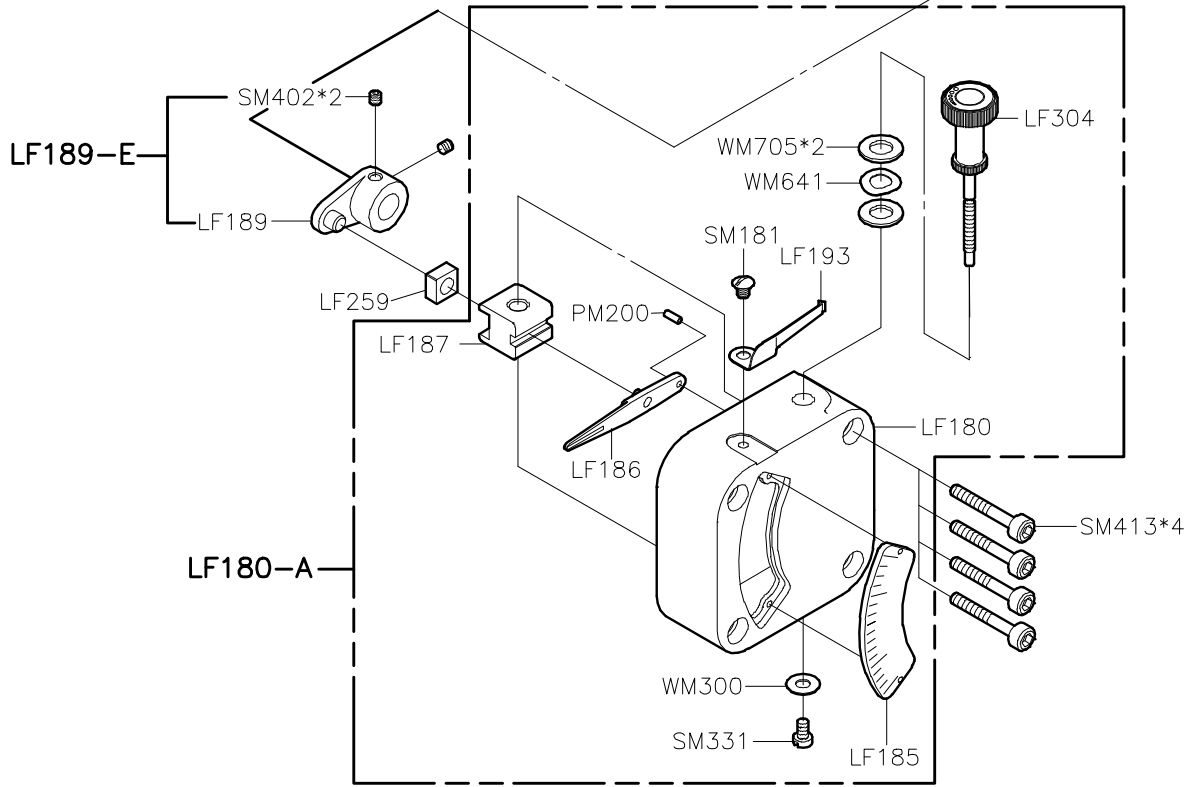
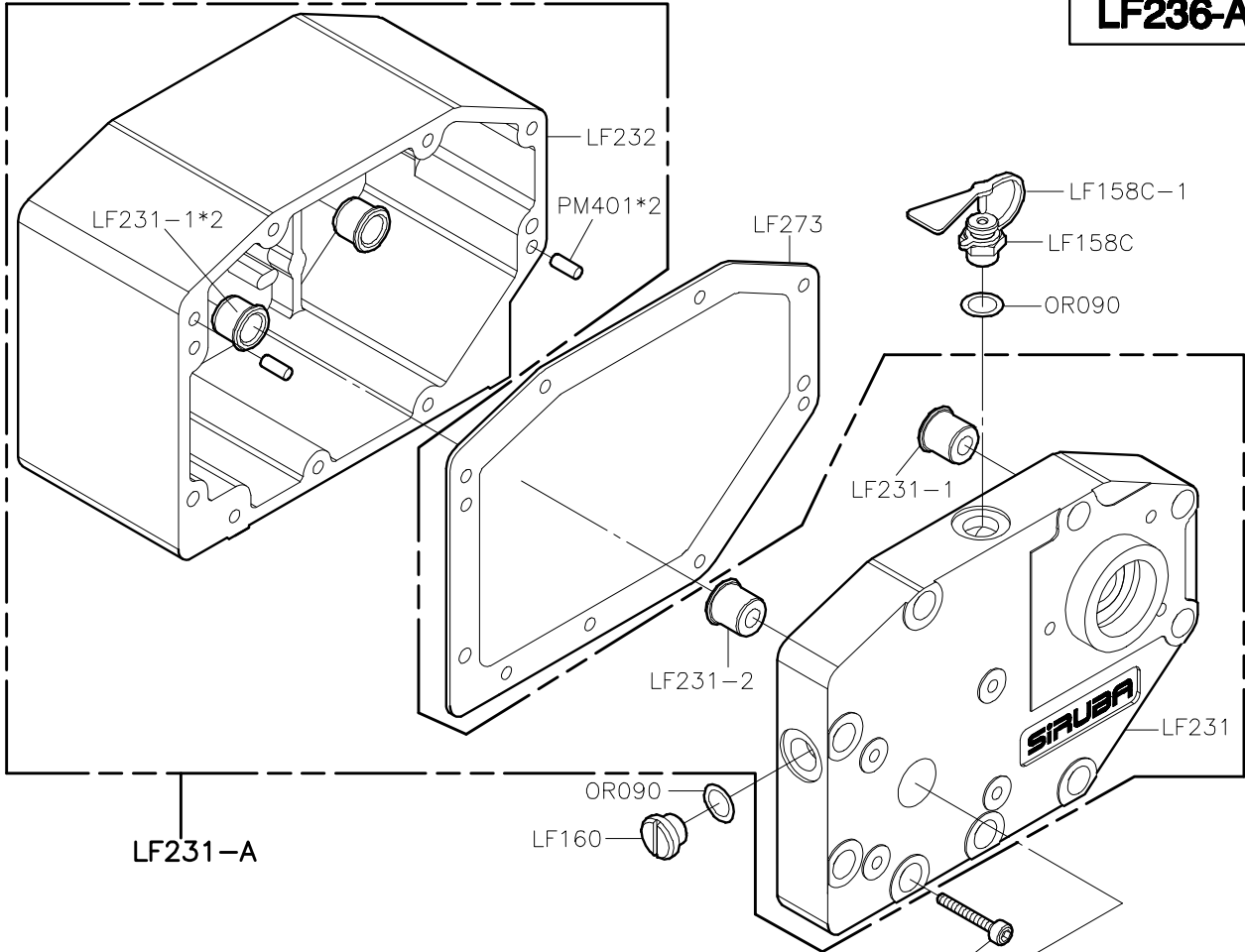
A

B

C

D

E



1

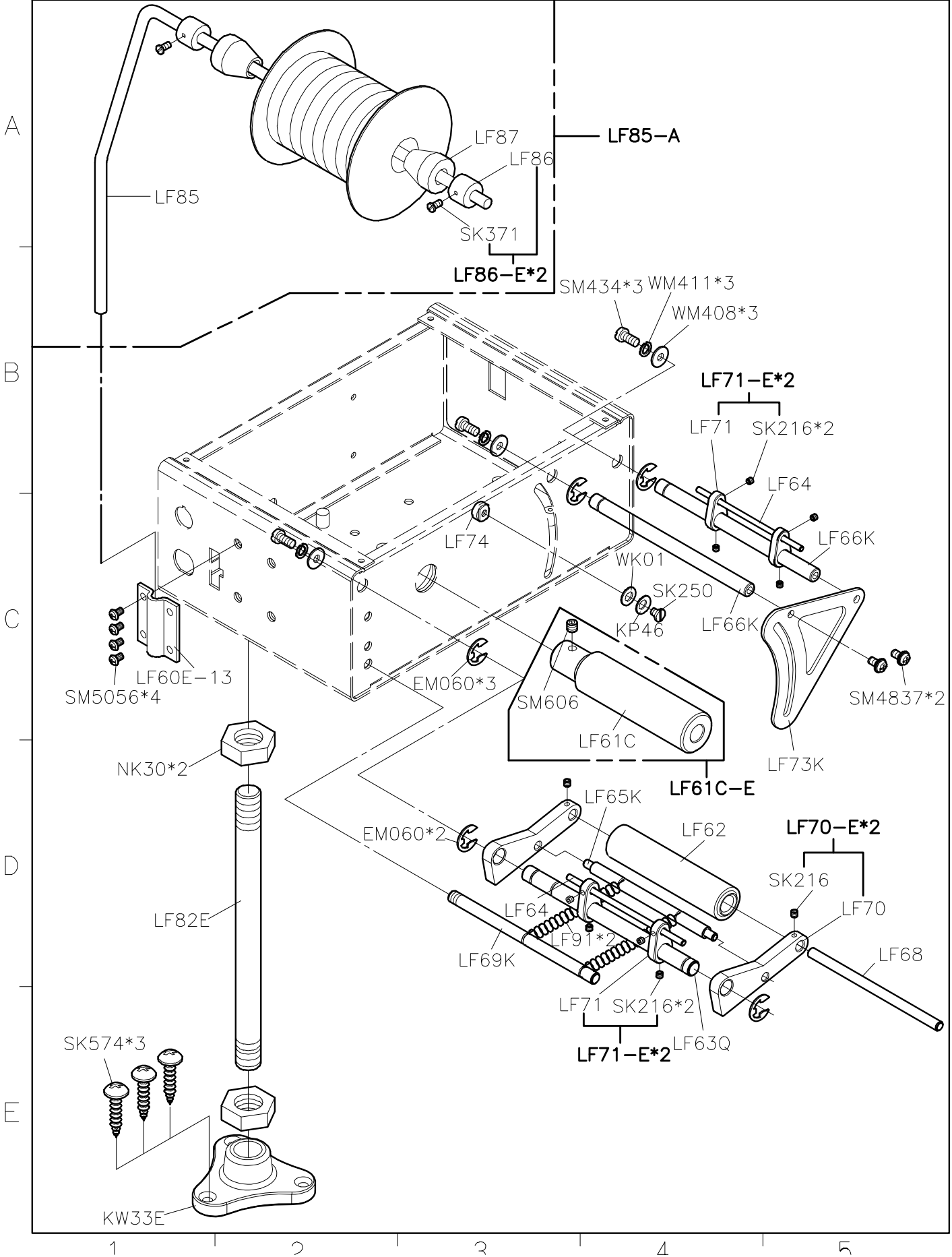
2

3

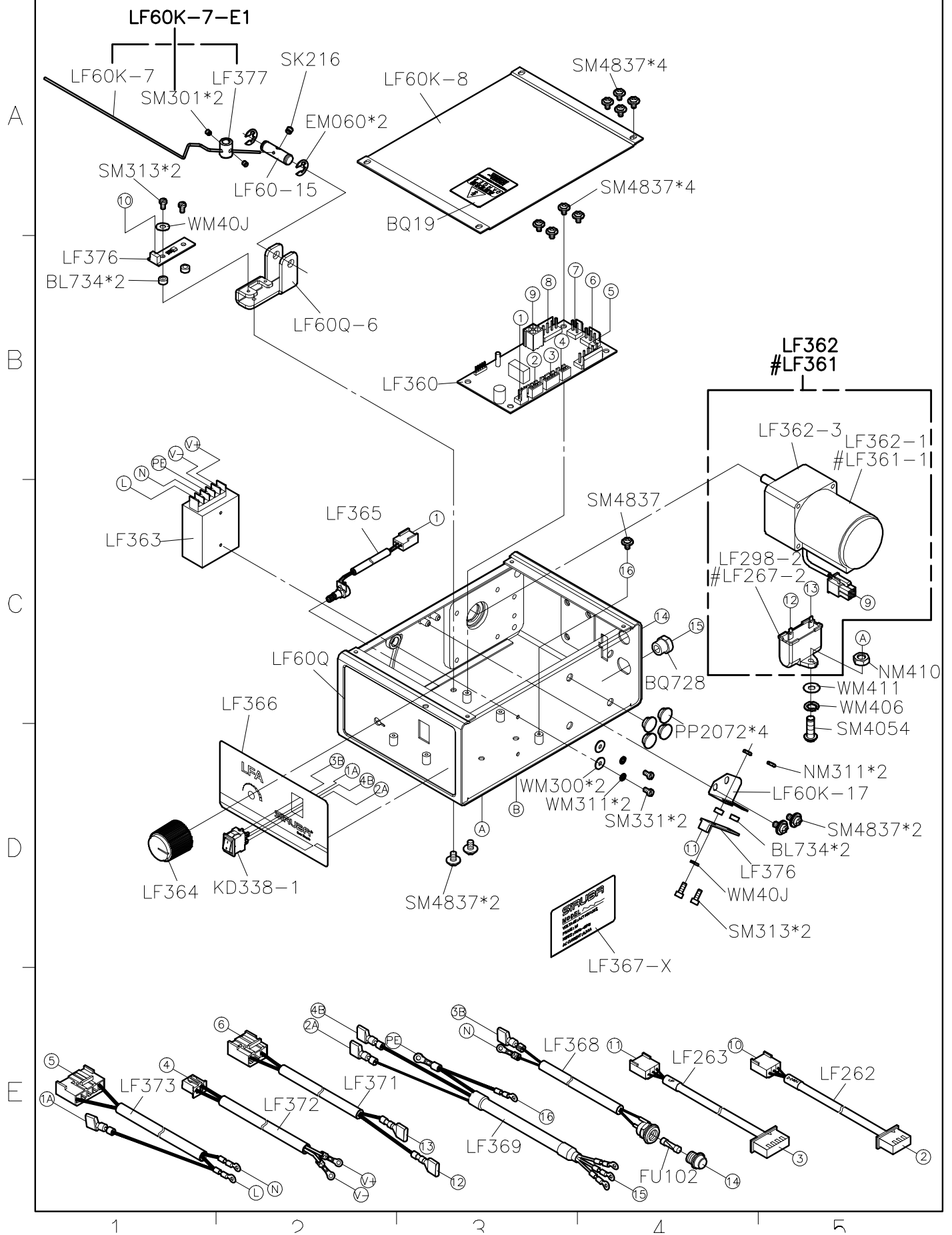
4

5

SIRUBA PARTS LIST	Series	Parts Group	Subclass / Remark	Page
	700L	LFR	LFRK-R1 Use for Single Phase AC 110V	1/4
			LFRK-R2 Use for Single Phase AC 220V	Date
				2022/12/01

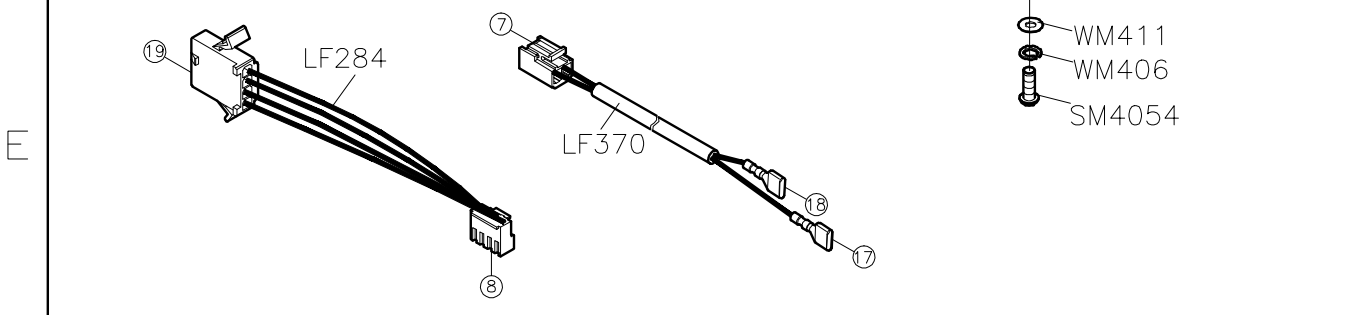
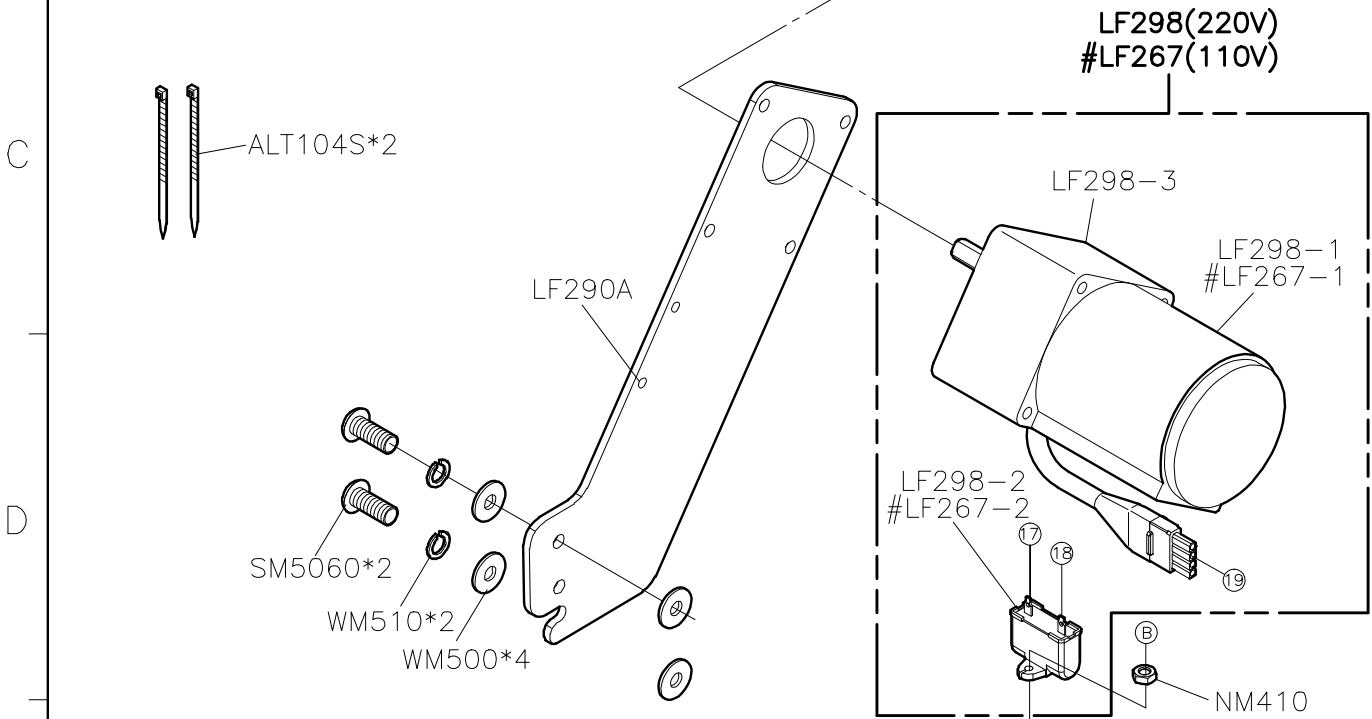
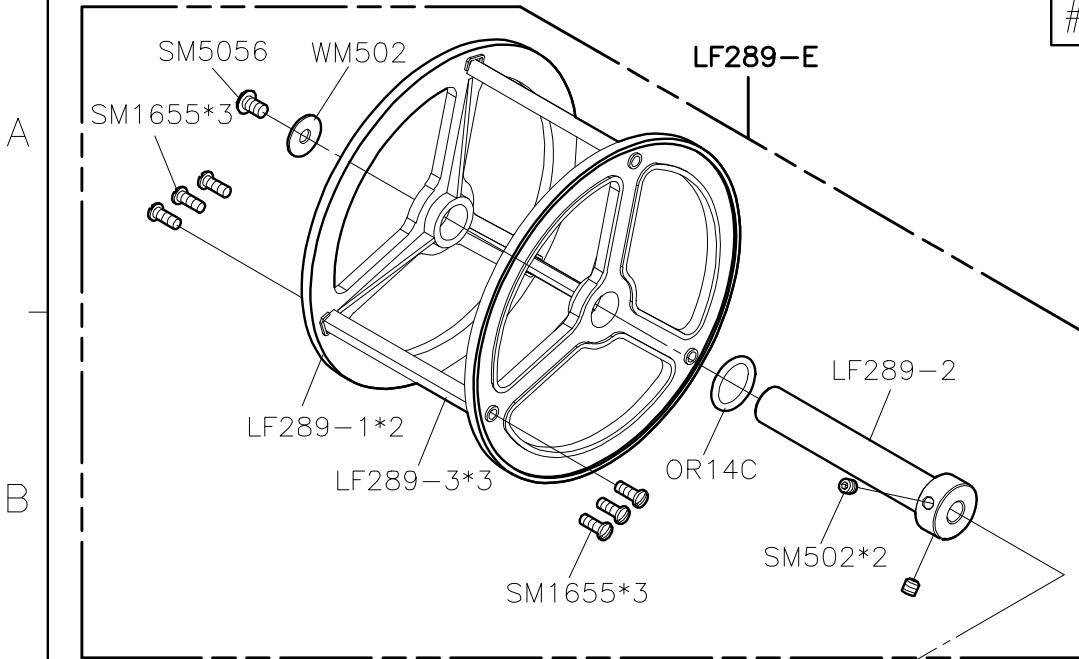


SIRUBA PARTS LIST	Series	Parts Group	Subclass / Remark	Page
	700L	LFR	#: Use for 110V	2/4
				Date
				2022/12/01



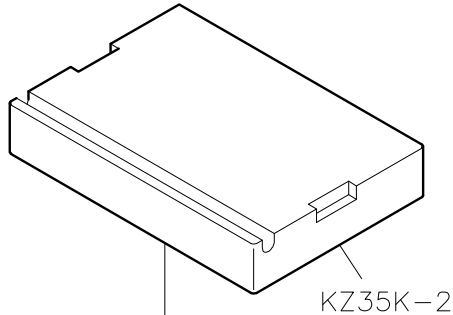
SIRUBA PARTS LIST	Series	Parts Group	Subclass / Remark	Page
	700L	LFR	#:Use for 110V	3/4
				Date
				2022/12/01

LF290A-A2(220V)
#LF290A-A1(110V)



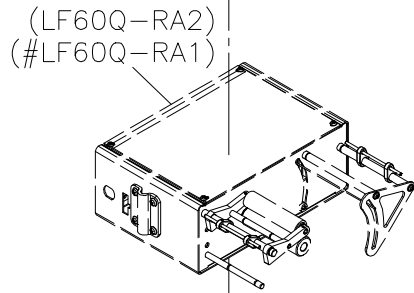
SIRUBA PARTS LIST	Series	Parts Group	Subclass / Remark	Page
	700L	LFR	#:Use for 110V	4/4
				Date
				2022/12/01

A



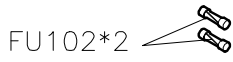
KZ35K-2

B

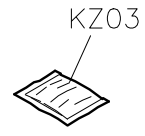


(LF60Q-RA2)
(#LF60Q-RA1)

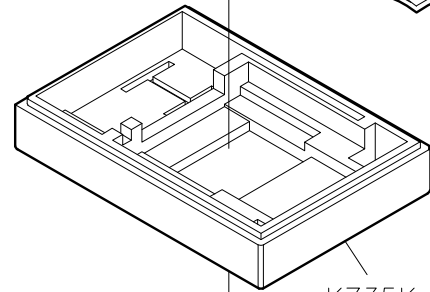
C



FU102*2

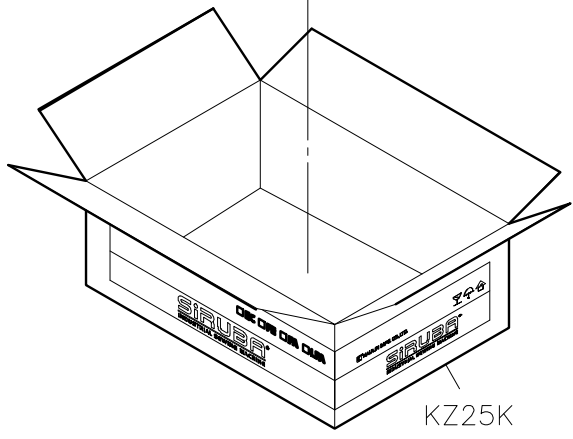


KZ03



KZ35K-1

D



KZ25K

E

1

2

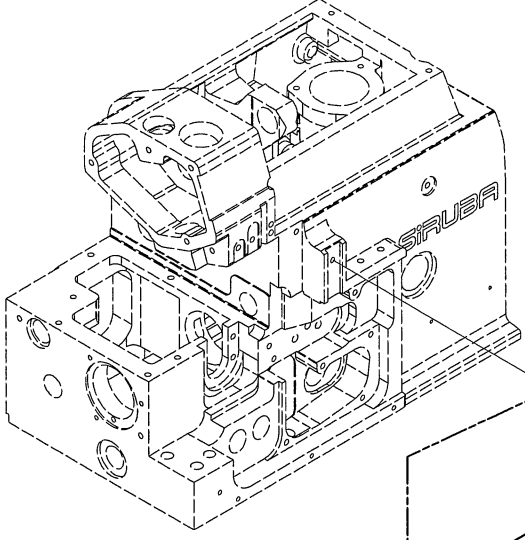
3

4

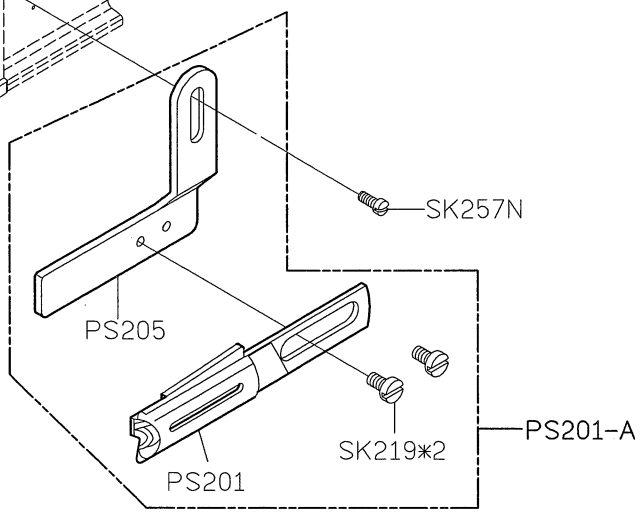
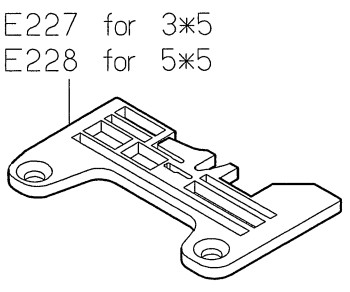
5

SIRUBA PARTS LIST	Series	Parts Group	Subclass / Remark	Page
	700L	PS-L		1/1
				Date
				2016/06/25

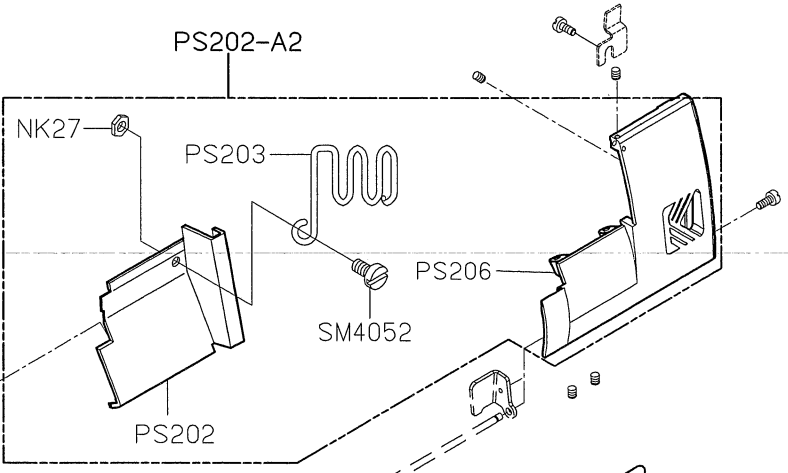
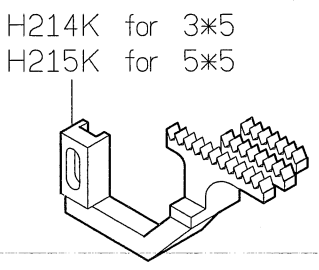
A



B



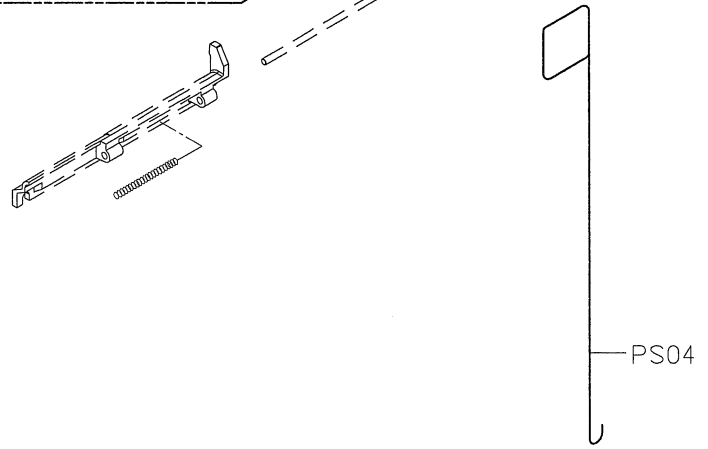
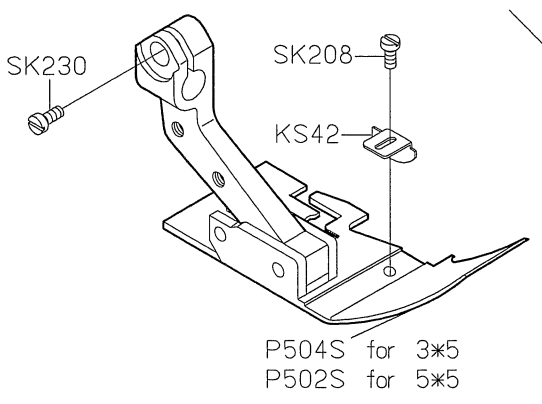
C



D

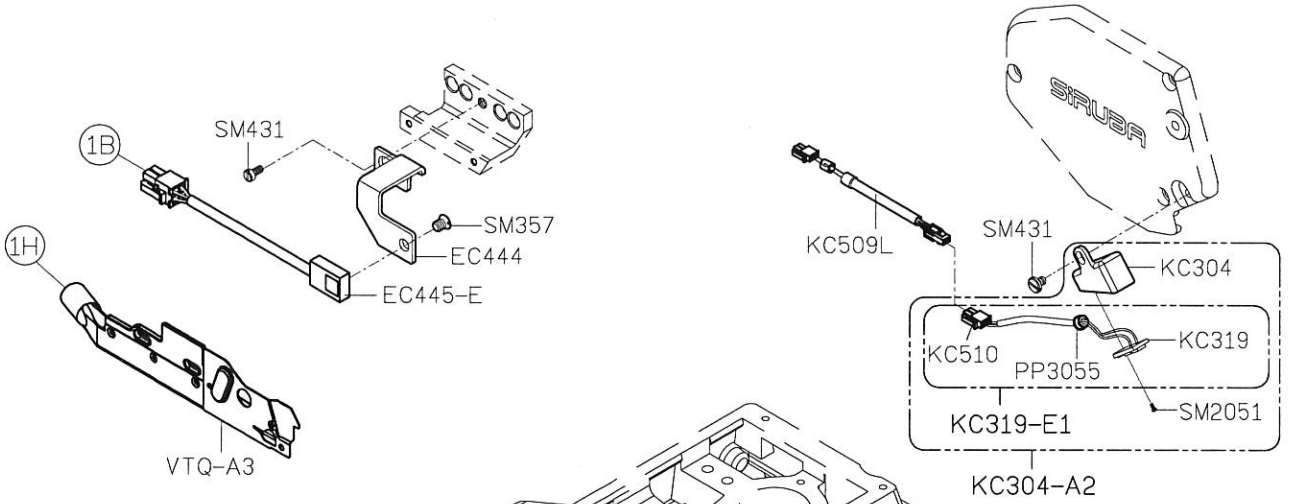
P504JS-A for 3*5
P502JS-A for 5*5

E

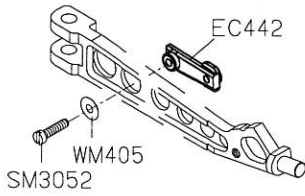


1 2 3 4 5

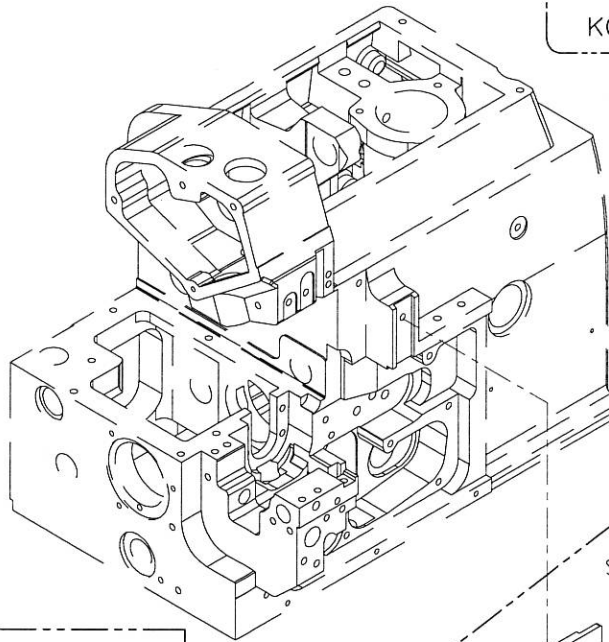
A



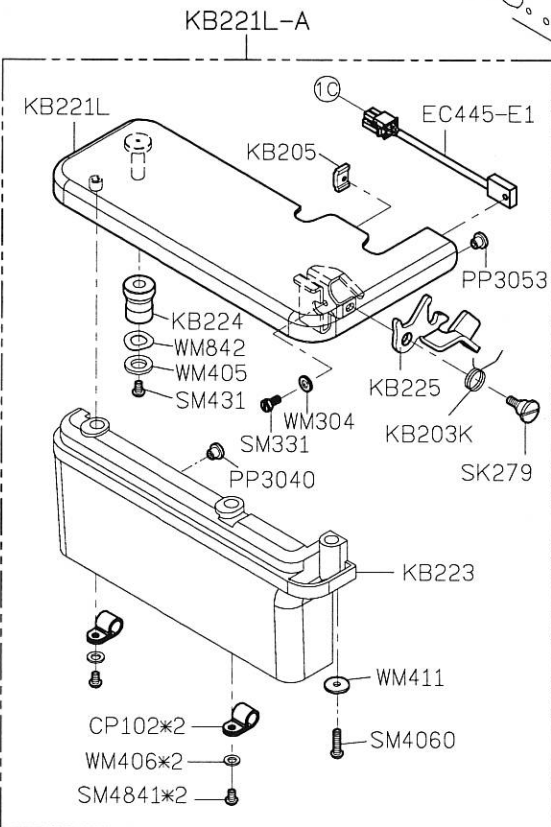
B



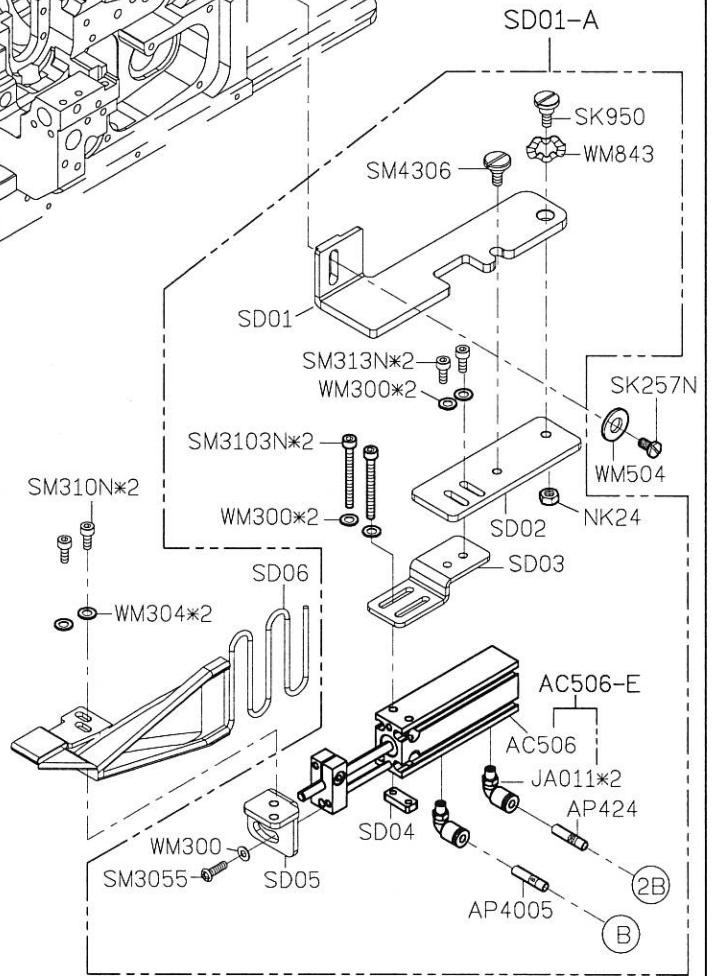
C



D



E



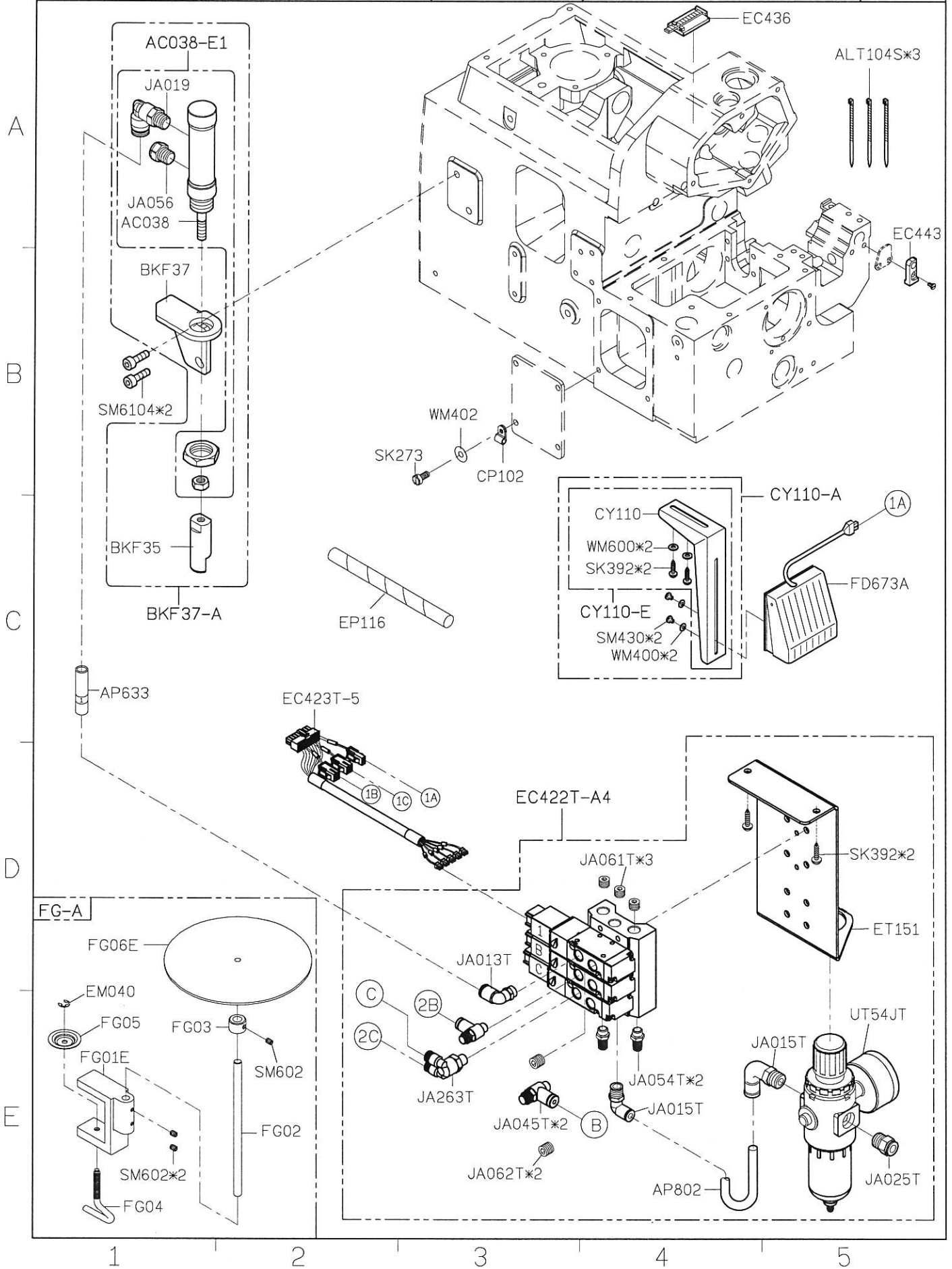
1

2

3

4

5

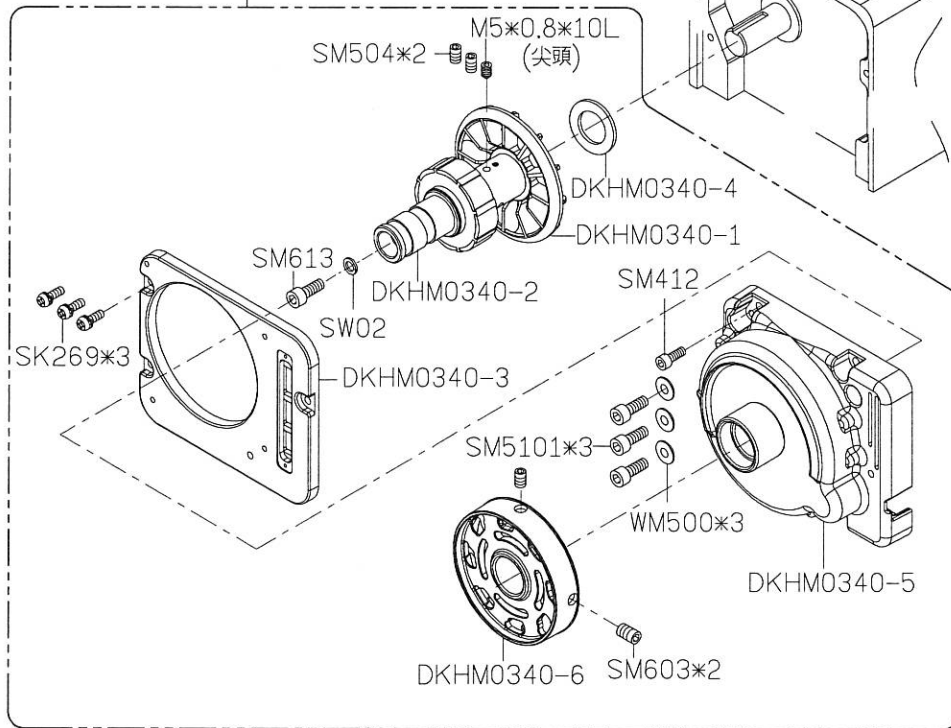


A

DKHM0340E-E

B

C



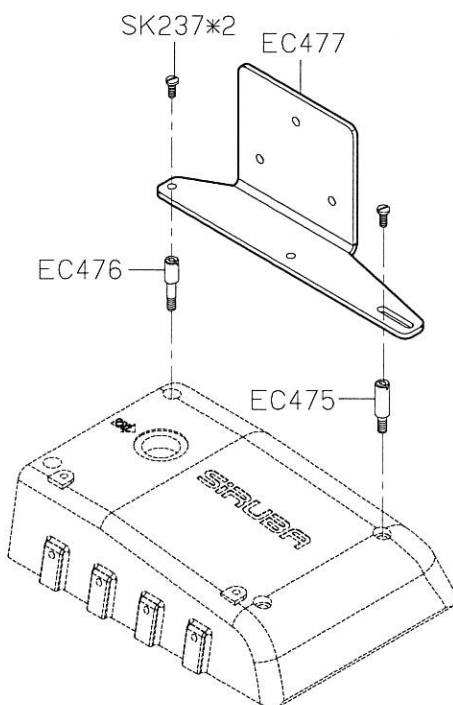
D

SK237*2

EC477

EC476

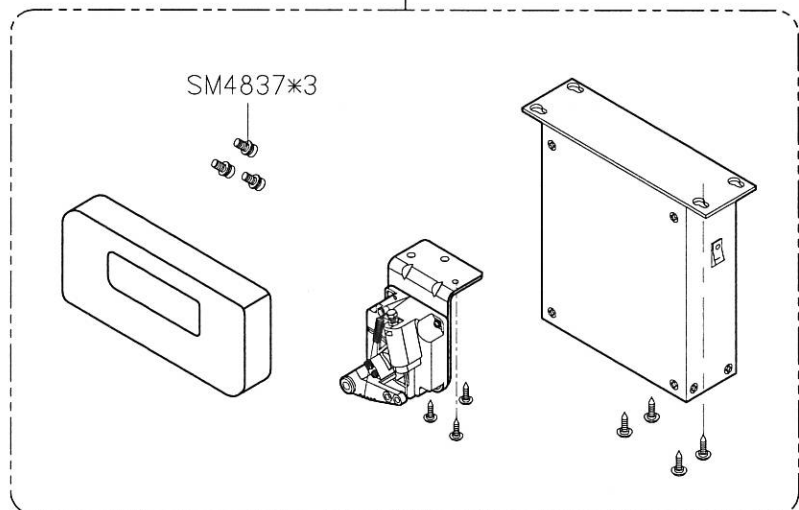
EC475



E

DKH101ADE-E

SM4837*3



1

2

3

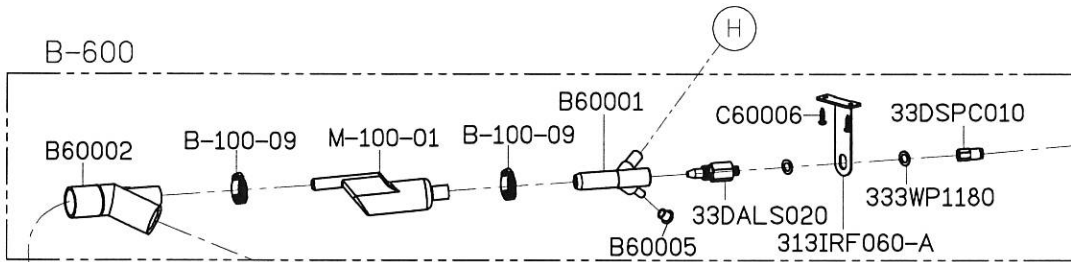
4

5

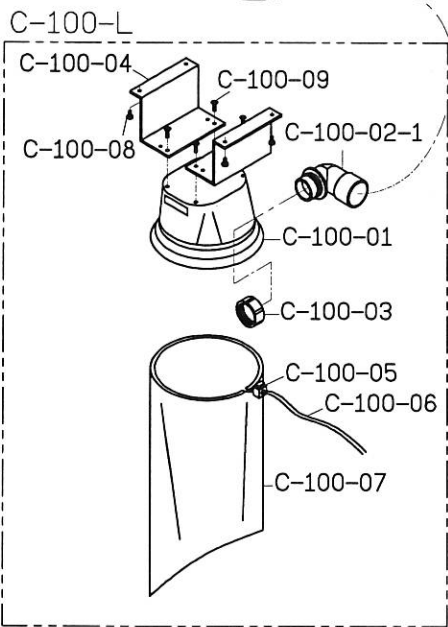
SIRUBA PARTS LIST	Series	Parts Group	Subclass / Remark	Page
	700L	SD-L	Note 註記: 1) ★ Before installation, please check one side is Air IN, another side is Air OUT.	4/5
				Date
				2021/11/26

TUA-46L

A

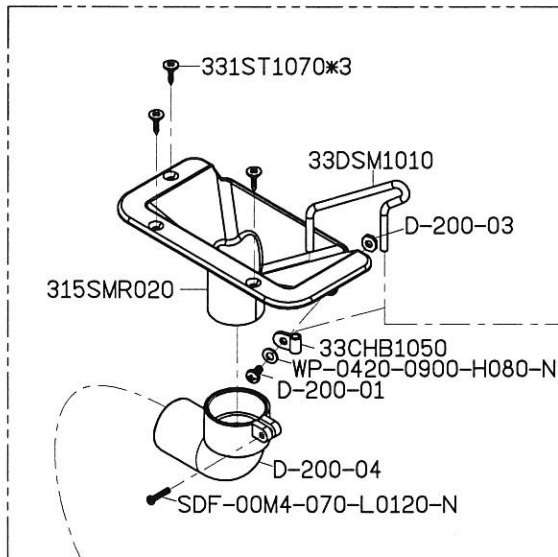


B



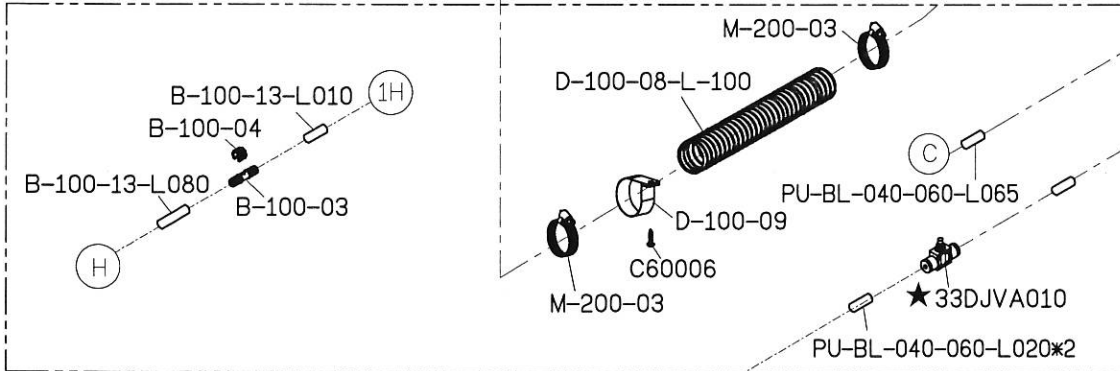
C

D-200-SK



D

D-100-L



E

(2C)

1

2

3

4

5

SIRUBA PARTS LIST	Series	Parts Group	Subclass / Remark	Page
	700L	SD-L		5/5
				Date
				2021/11/26

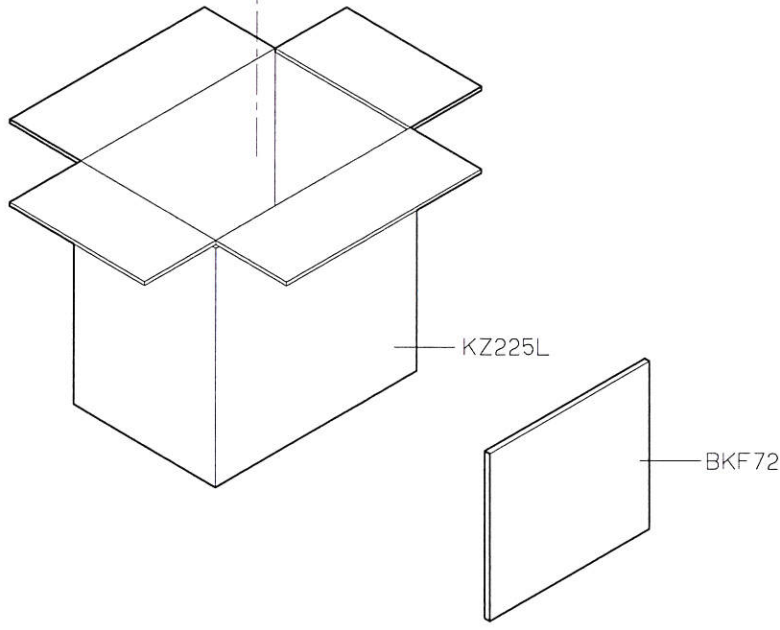
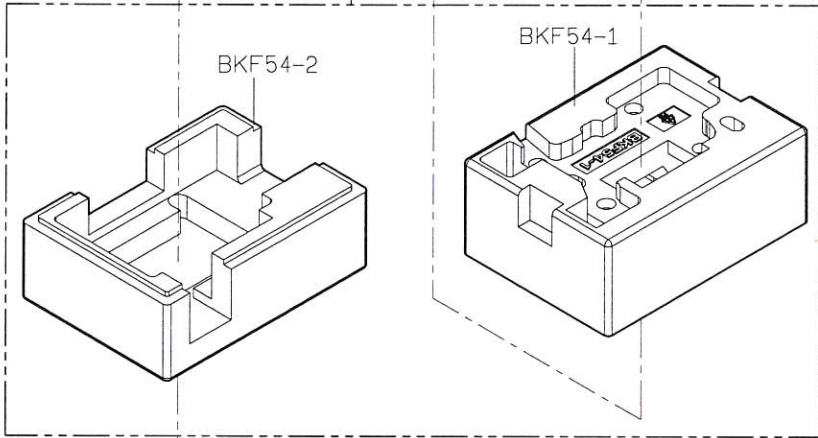
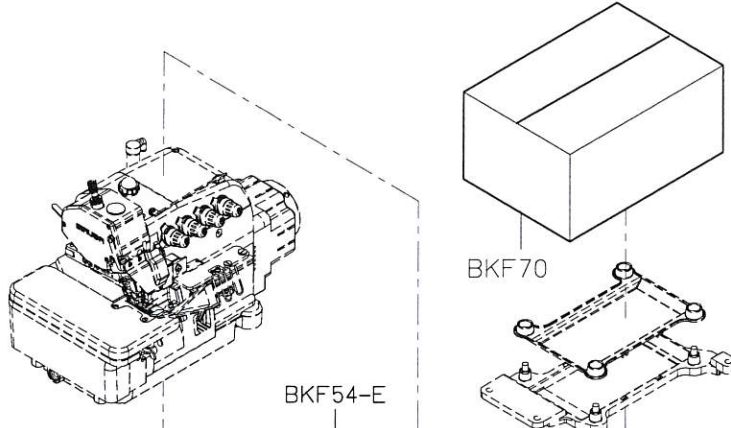
A

B

C

D

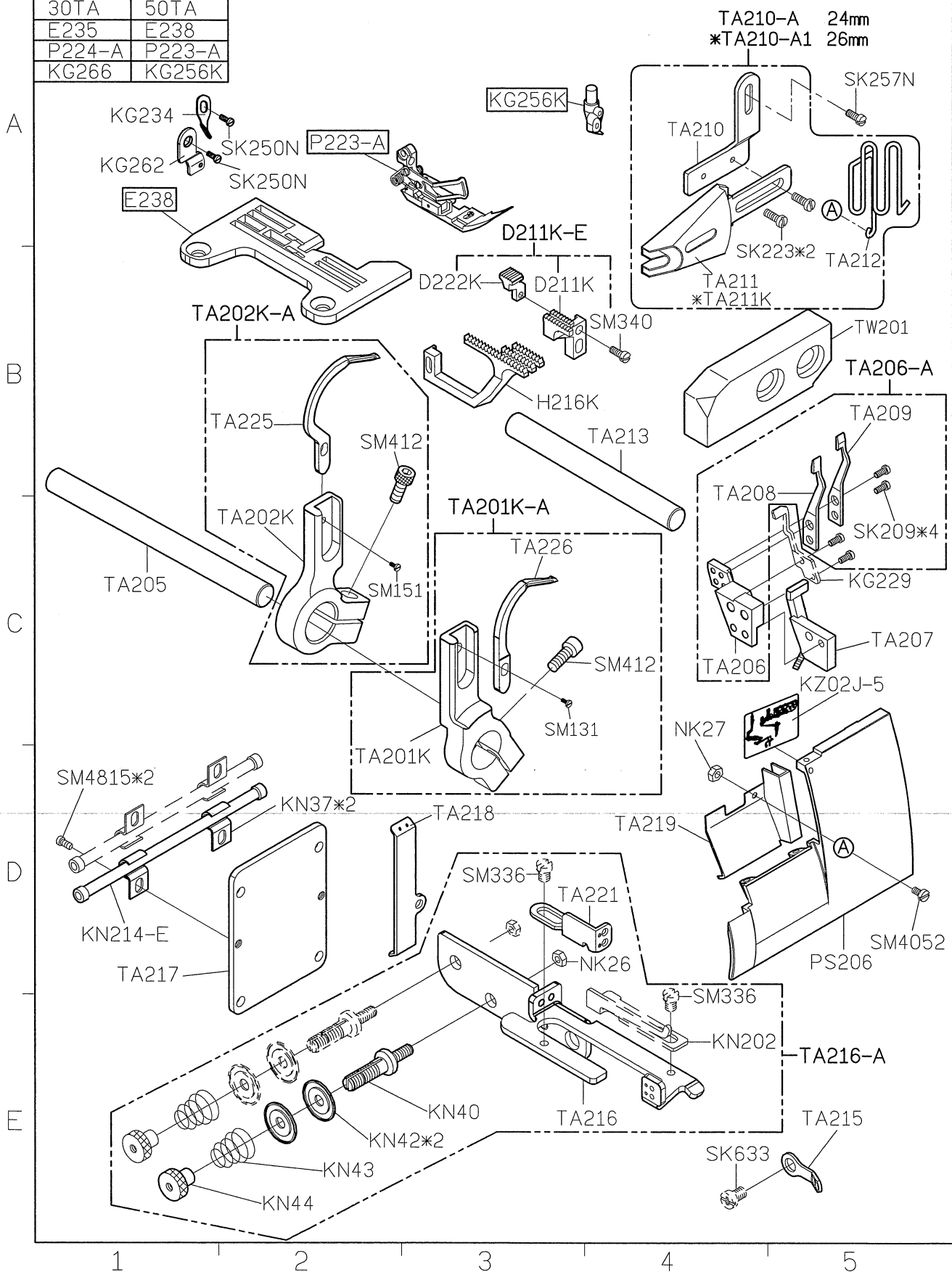
E



1 2 3 4 5

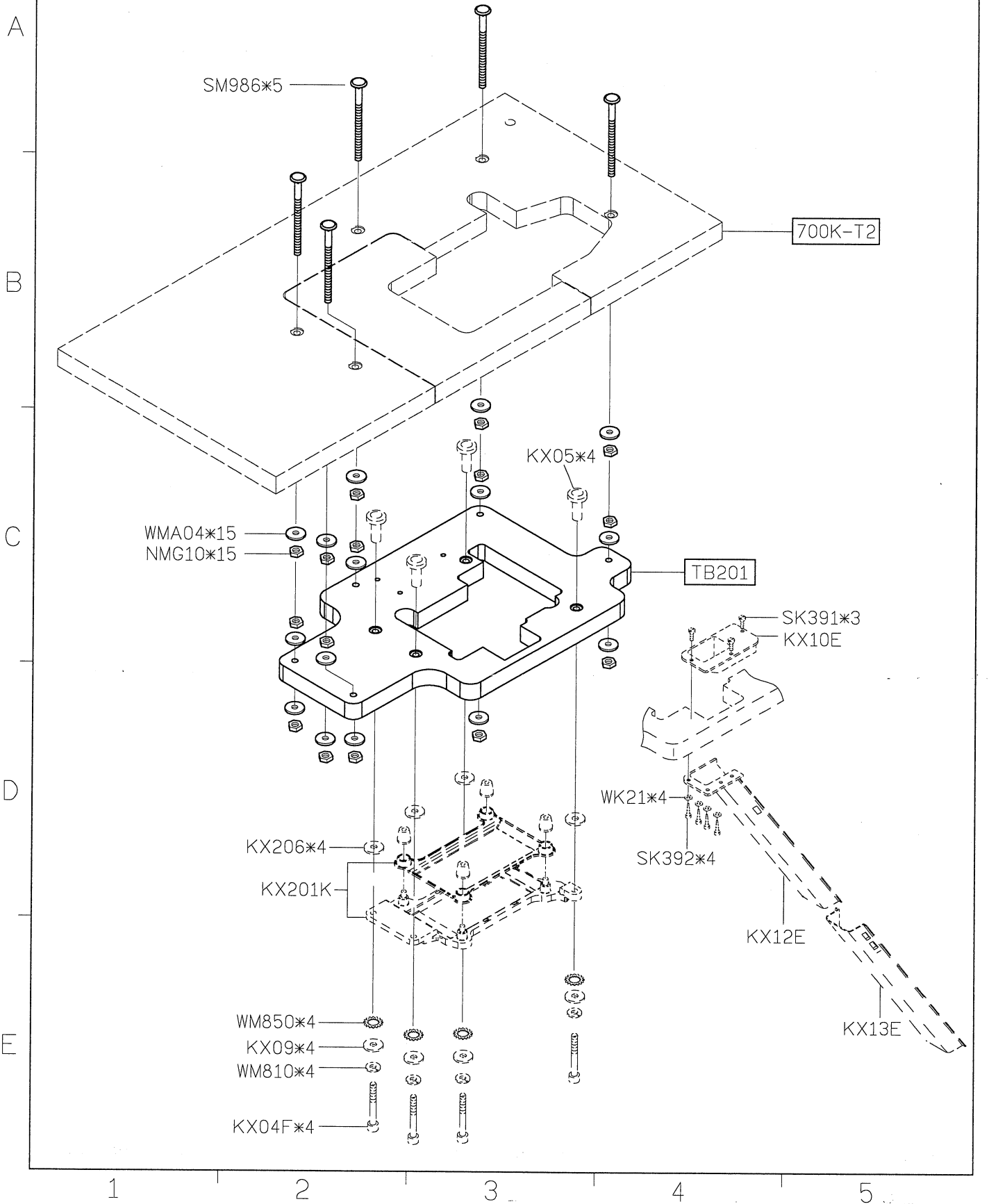
SIRUBA PARTS LIST	Series	Parts Group	Subclass / Remark	Page
	700L	TA-L		1/1
				Date
				2016/06/25

30TA	50TA
E235	E238
P224-A	P223-A
KG266	KG256K



SIRUBA PARTS LIST	Series	Parts Group	Subclass / Remark	Page
	700K/700KD/700L 988/988D	TBK	TBK-1 for 700K/988/700L TBKD-1 for 700KD/988D	1/1
				Date
				2018/08/28

MODEL	TBK-1(700K/988/700L用)	TBKD-1(700KD/988D用)
TBK	TB201	TB201D
TABLE	700K-T2	700KD-T2



SIRUBA PARTS LIST	Series	Parts Group	Subclass / Remark	Page
	700L	TG-L		1/1
	700LQ			Date
				2023/07/19

A

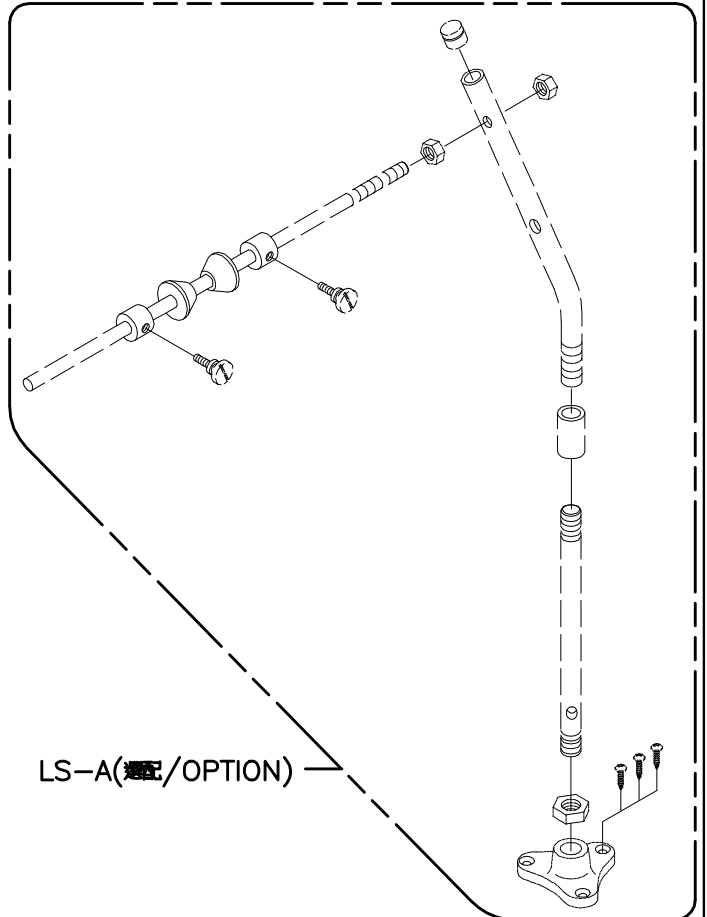
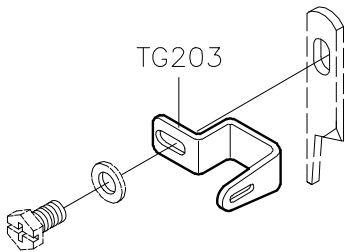
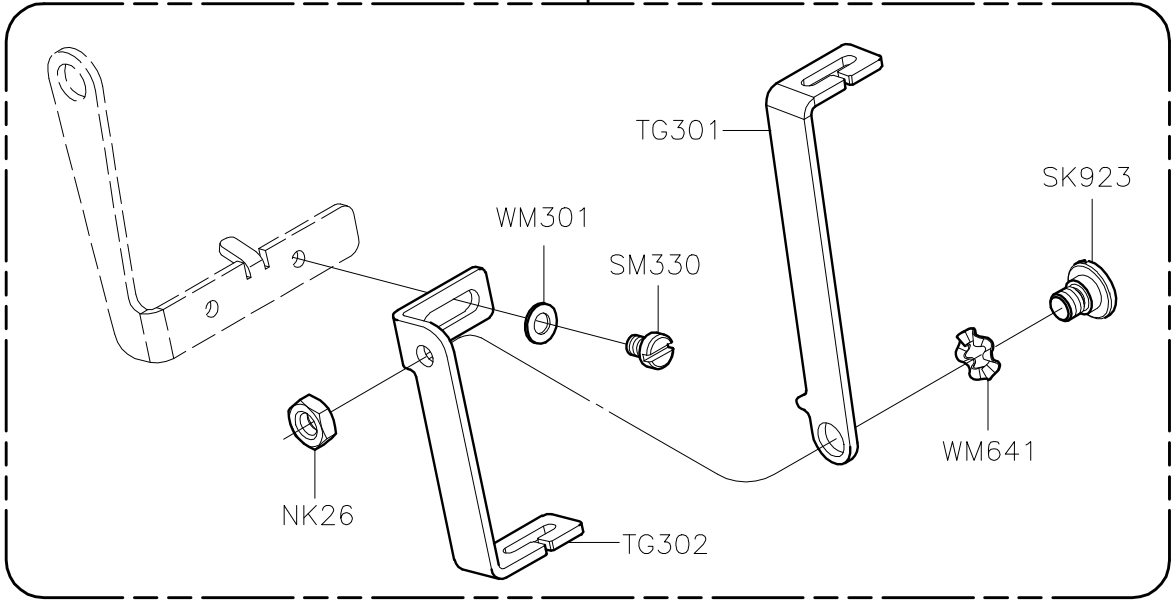
B

C

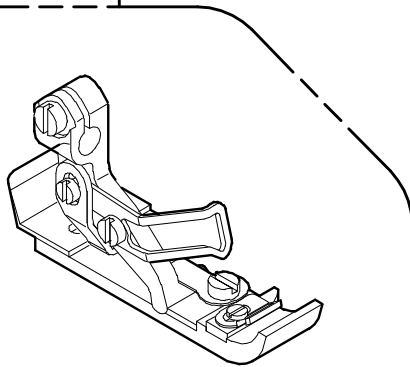
D

E

TG301-A



P226-A



LS-A(選/OPTION)

1

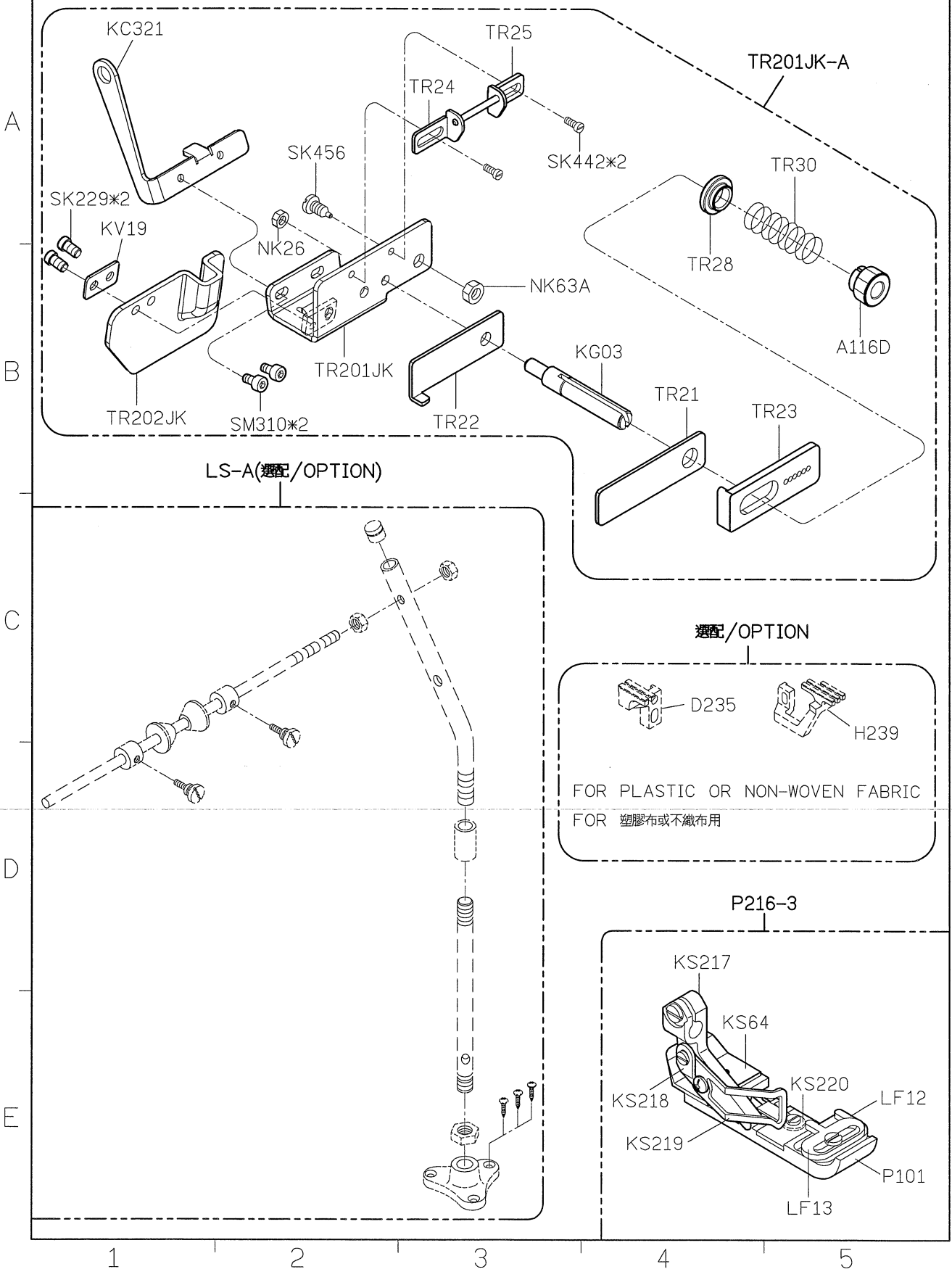
2

3

4

5

SIRUBA PARTS LIST	Series	Parts Group	Subclass / Remark	Page
	700L	TR-KJ		1/1
				Date
				2016/06/25



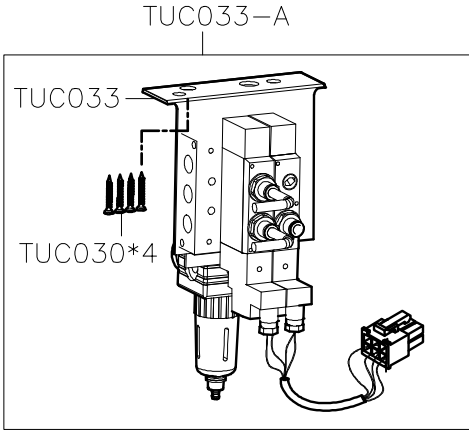
SIRUBA PARTS LIST	Series	Parts Group	Subclass / Remark	Page
	700L	TUC	FOR DKLU1-5用	1/3
	600KP			Date
				2024/11/13

TUC-05

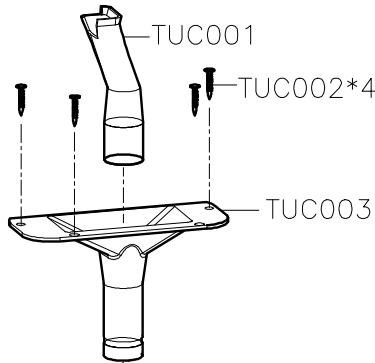
Housing:H6657R1-06
PIN:6657TP

脚位	線色	定義
P1	白	+24V(壓脚)
P2	紅	+24V(吸風)
P3	—	無
P4	黑	壓脚
P5	綠	吸風
P6	—	無

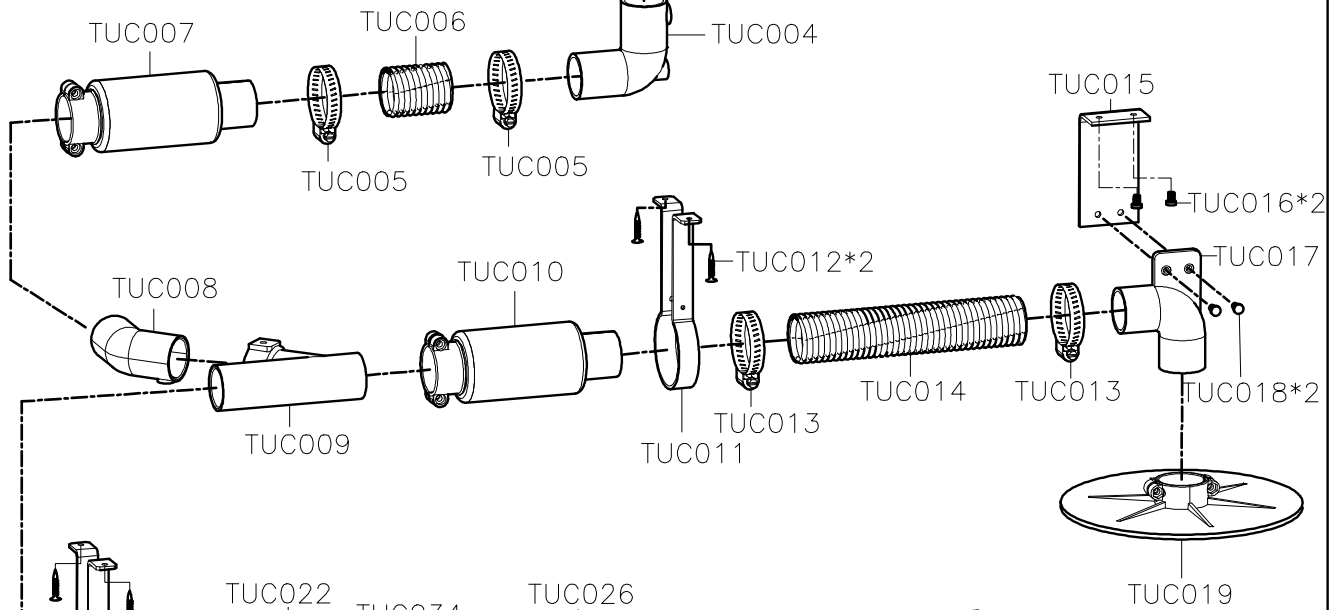
A



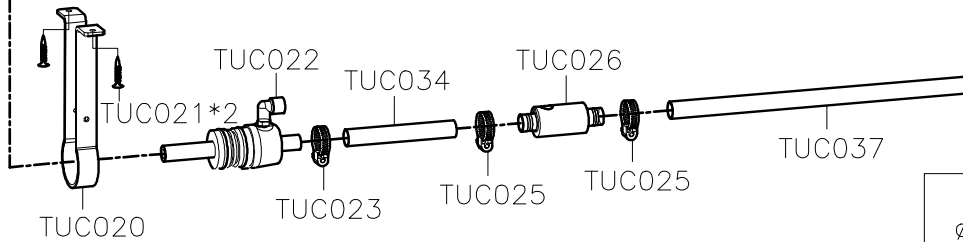
B



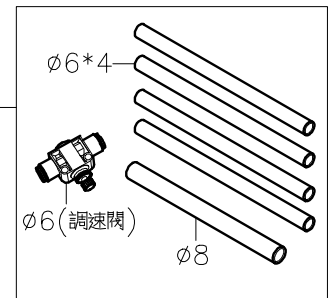
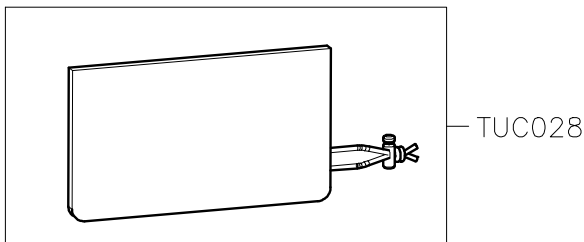
C



D



E



調速閥	6mm	1	
6号气管	长度610mm	4	
8号气管	长度400mm	1	
品名	規格尺寸	數量	備注

1

2

3

4

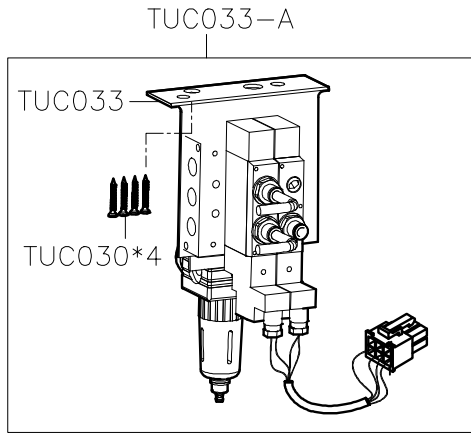
5

SIRUBA PARTS LIST	Series	Parts Group	Subclass / Remark	Page
	700L	TUC	FOR 調撥	2/3
	600KP			Date
				2024/11/13

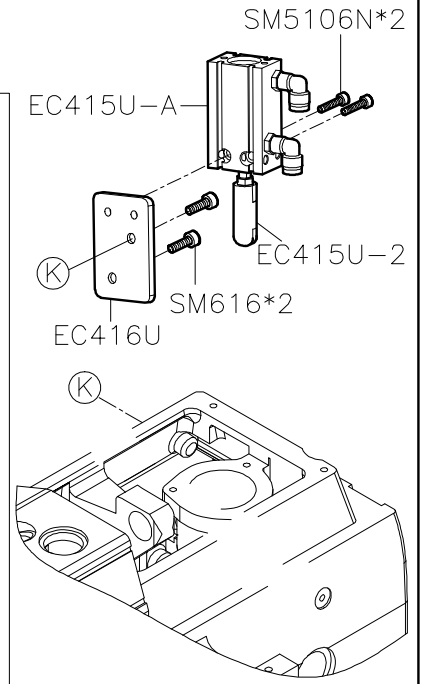
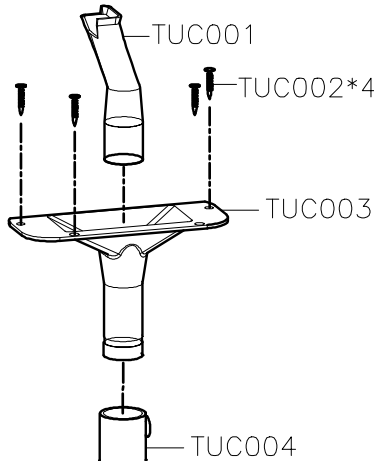
TUC-05-A

TUC-05

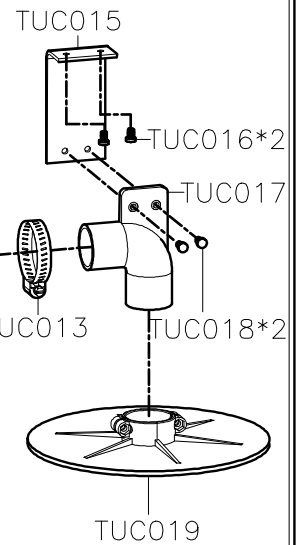
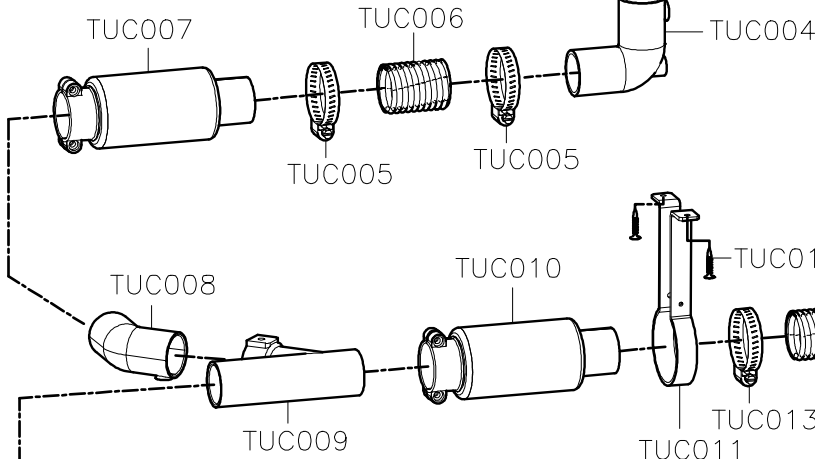
A



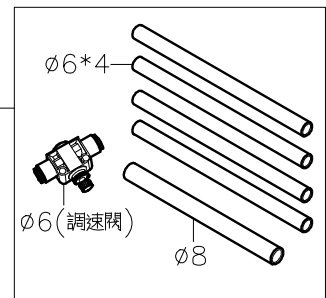
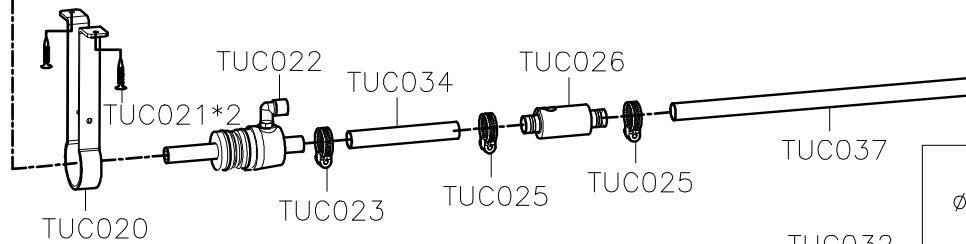
B



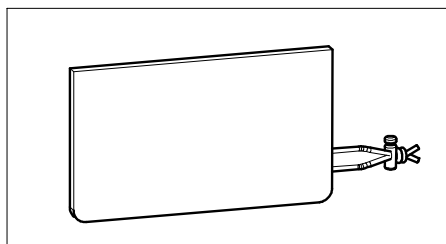
C



D



E



调速閥	6mm	1	
6号气管	长度610mm	4	
8号气管	长度400mm	1	
品名	规格尺寸	数量	備注

1

2

3

4

5

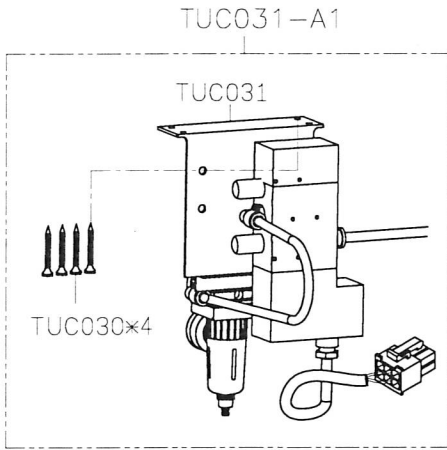
SIRUBA PARTS LIST	Series	Parts Group	Subclass / Remark	Page
	700L 600KP	TUC	FOR DKL1-5用	3/3
				Date
				2023/03/28

TUC-09

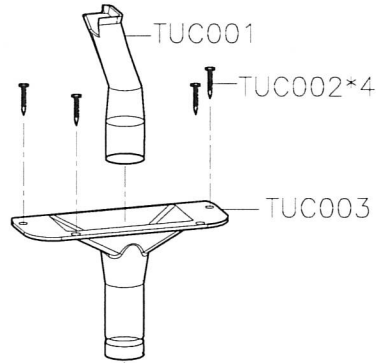
Housing:H6657R1-06
PIN:6657TP

腳位	線色	定義
P1	—	無
P2	紅	+24V(吸風)
P3	—	無
P4	—	無
P5	綠	吸風
P6	—	無

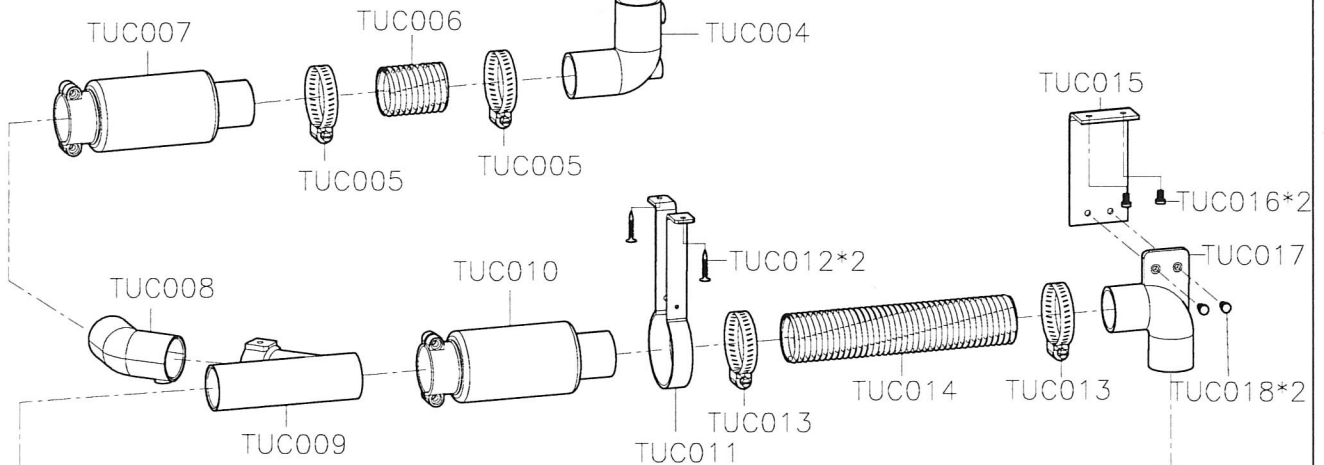
A



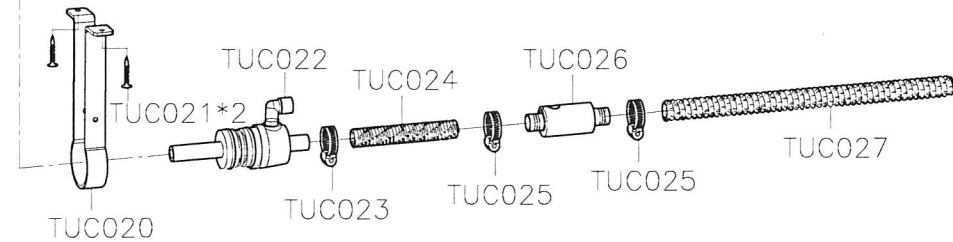
B



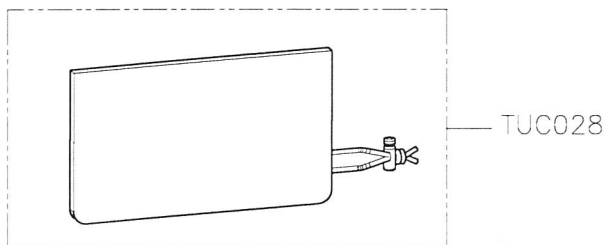
C



D



E



1

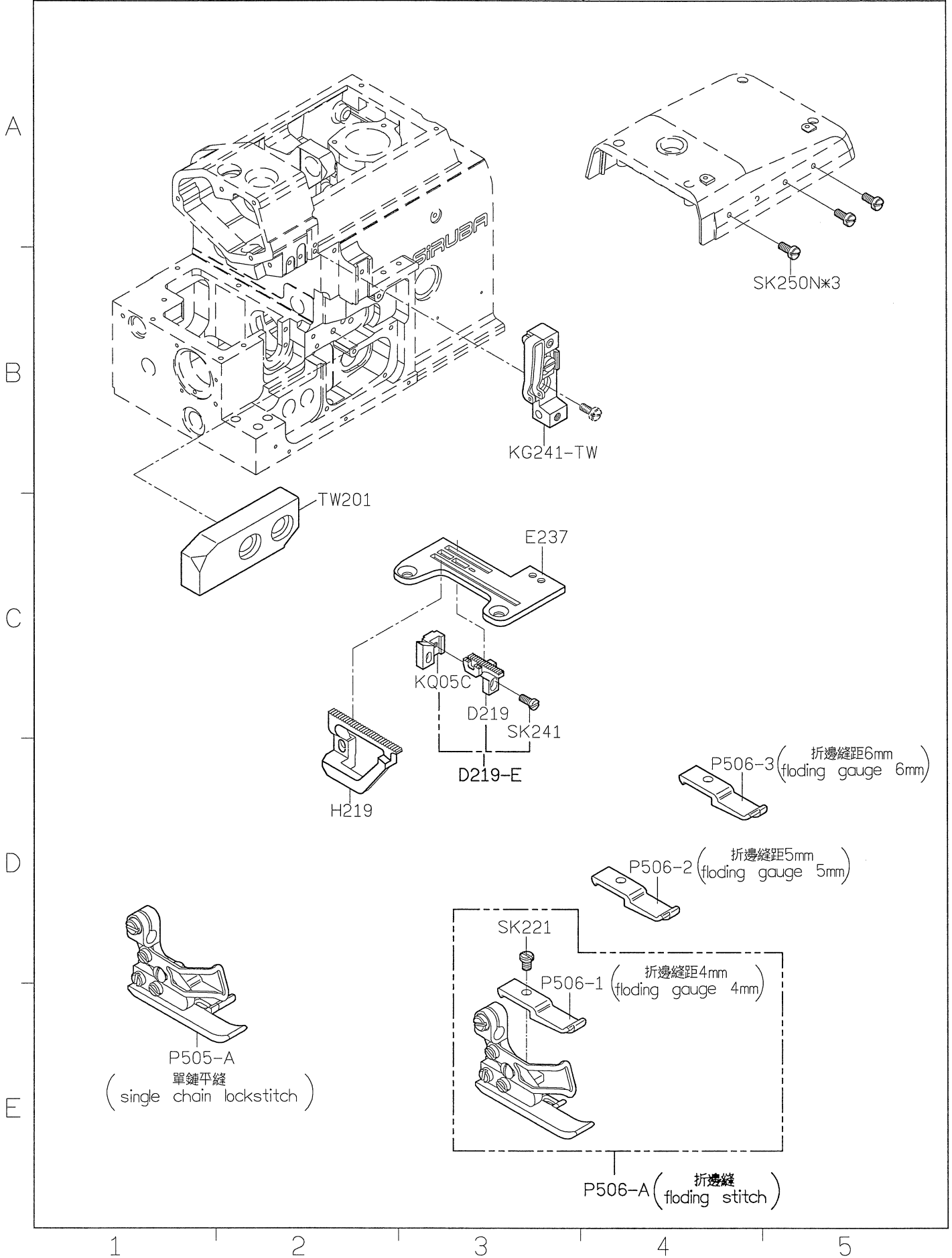
2

3

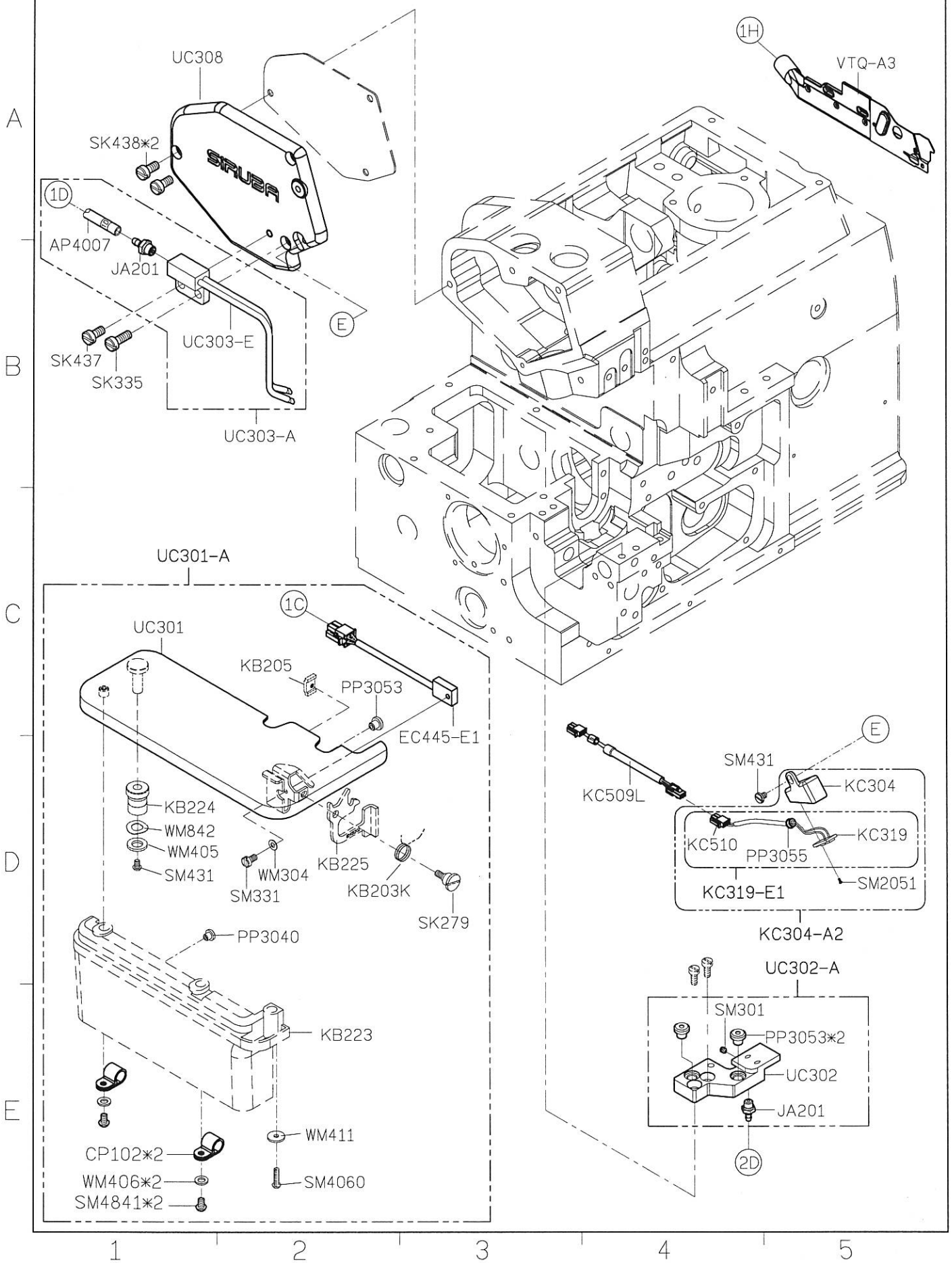
4

5

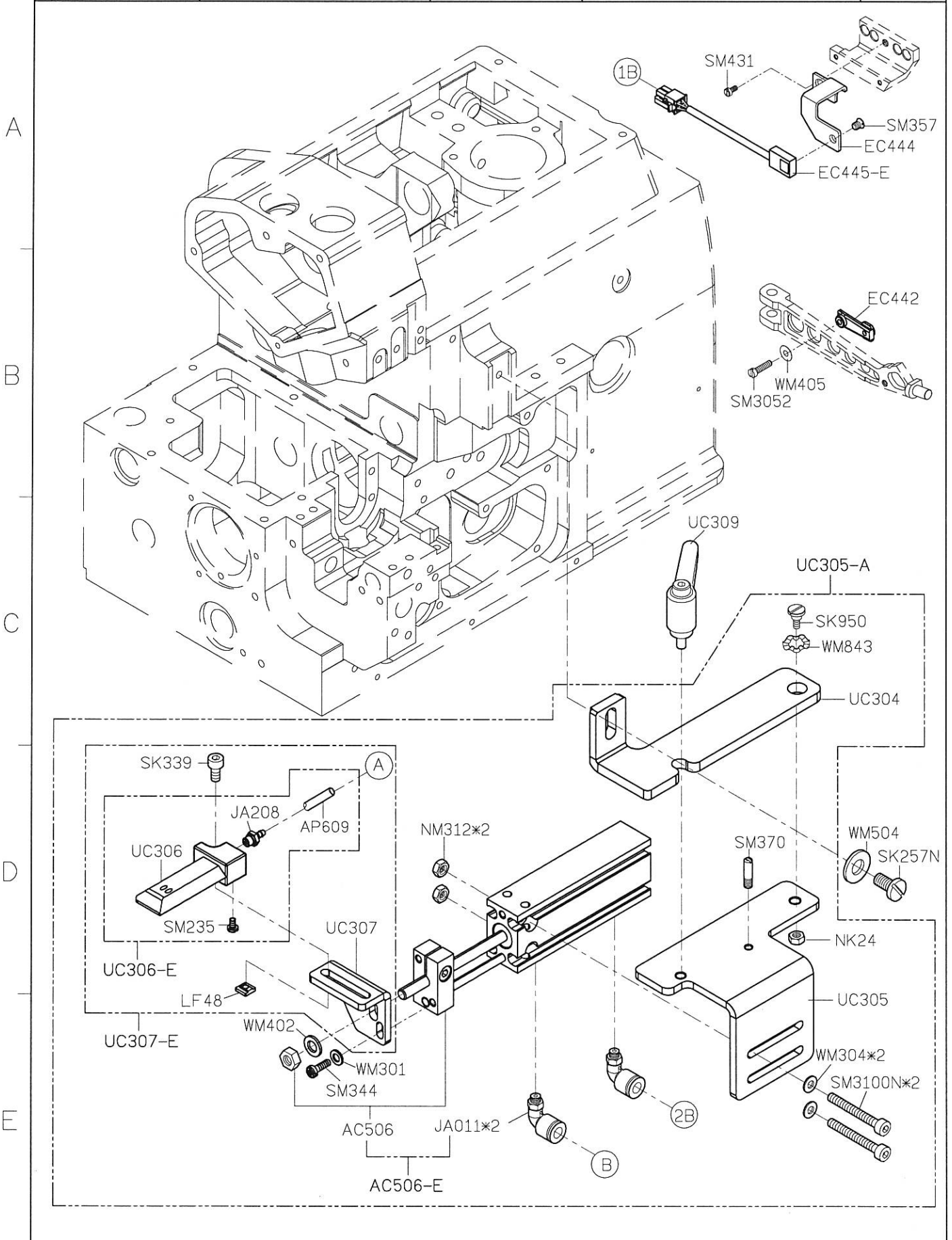
SIRUBA PARTS LIST	Series	Parts Group	Subclass / Remark	Page
	700L	TW-K		1/1
				Date
				2017/07/24



SIRUBA PARTS LIST	Series	Parts Group	Subclass / Remark	Page
	700L	UC-LD		1/6
				Date
				2021/12/01



SIRUBA PARTS LIST	Series	Parts Group	Subclass / Remark	Page
	700L	UC-LD		2/6
				Date
				2021/12/01



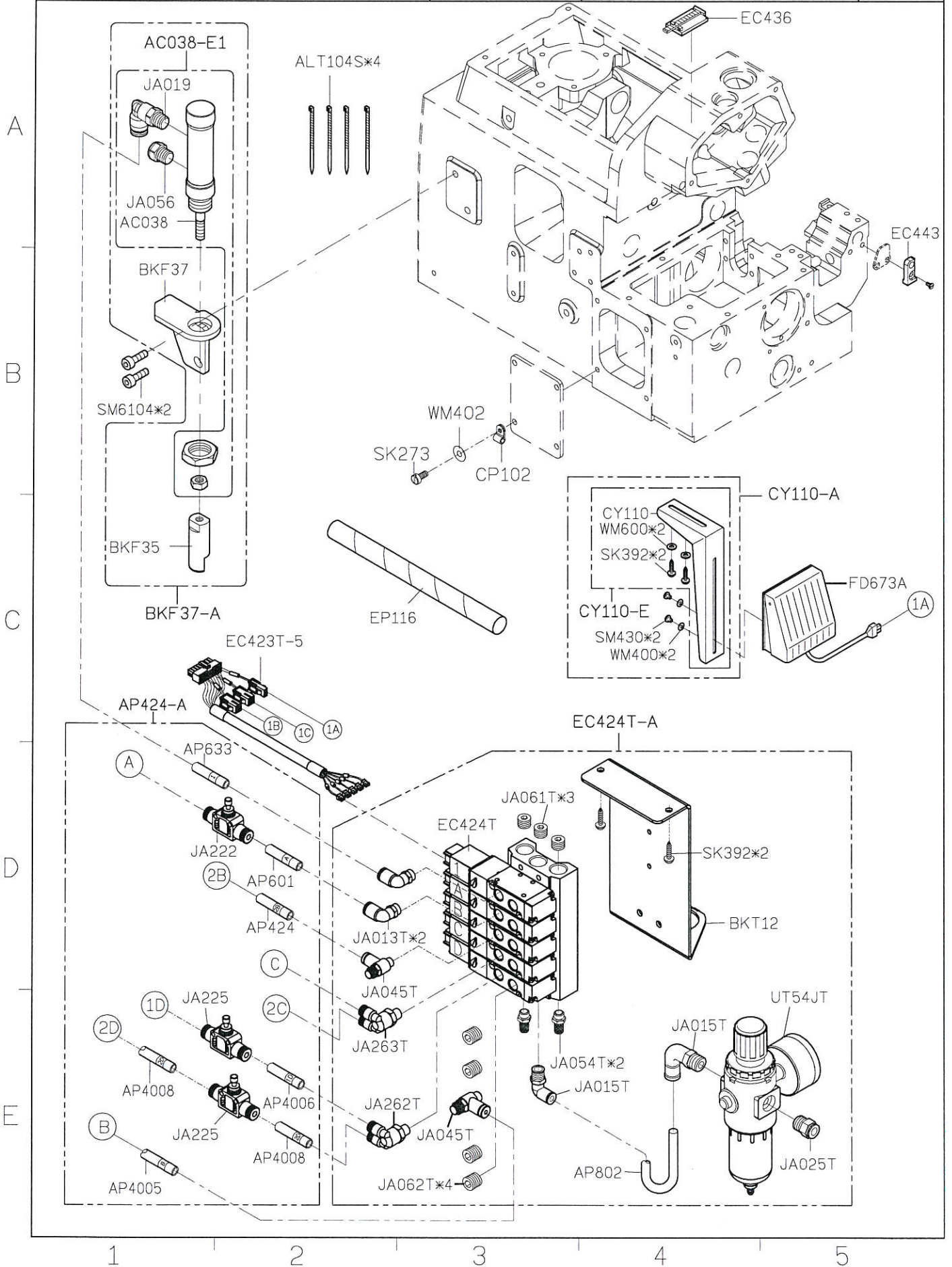
1

2

3

4

5



A

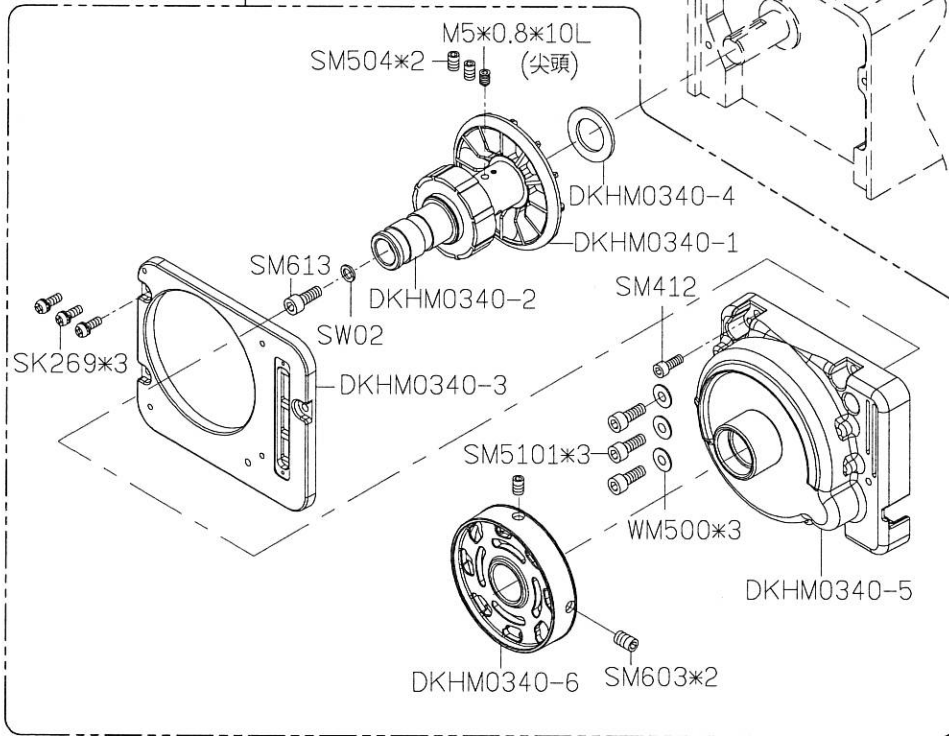
B

C

D

E

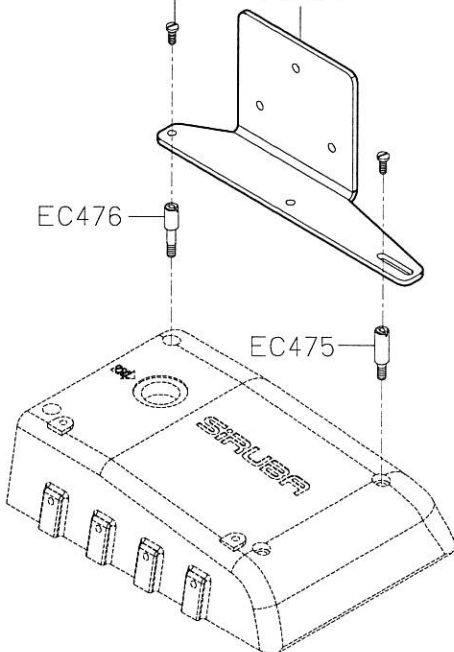
DKHM0340E-E



SK237*2 EC477

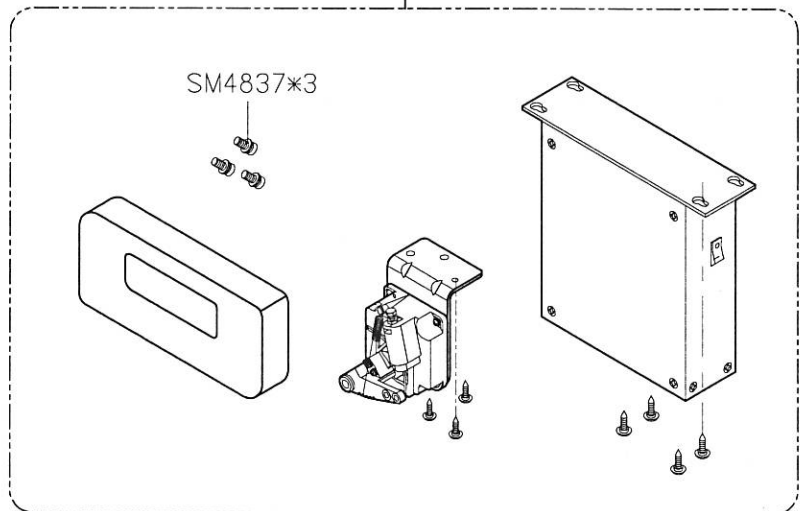
EC476

EC475

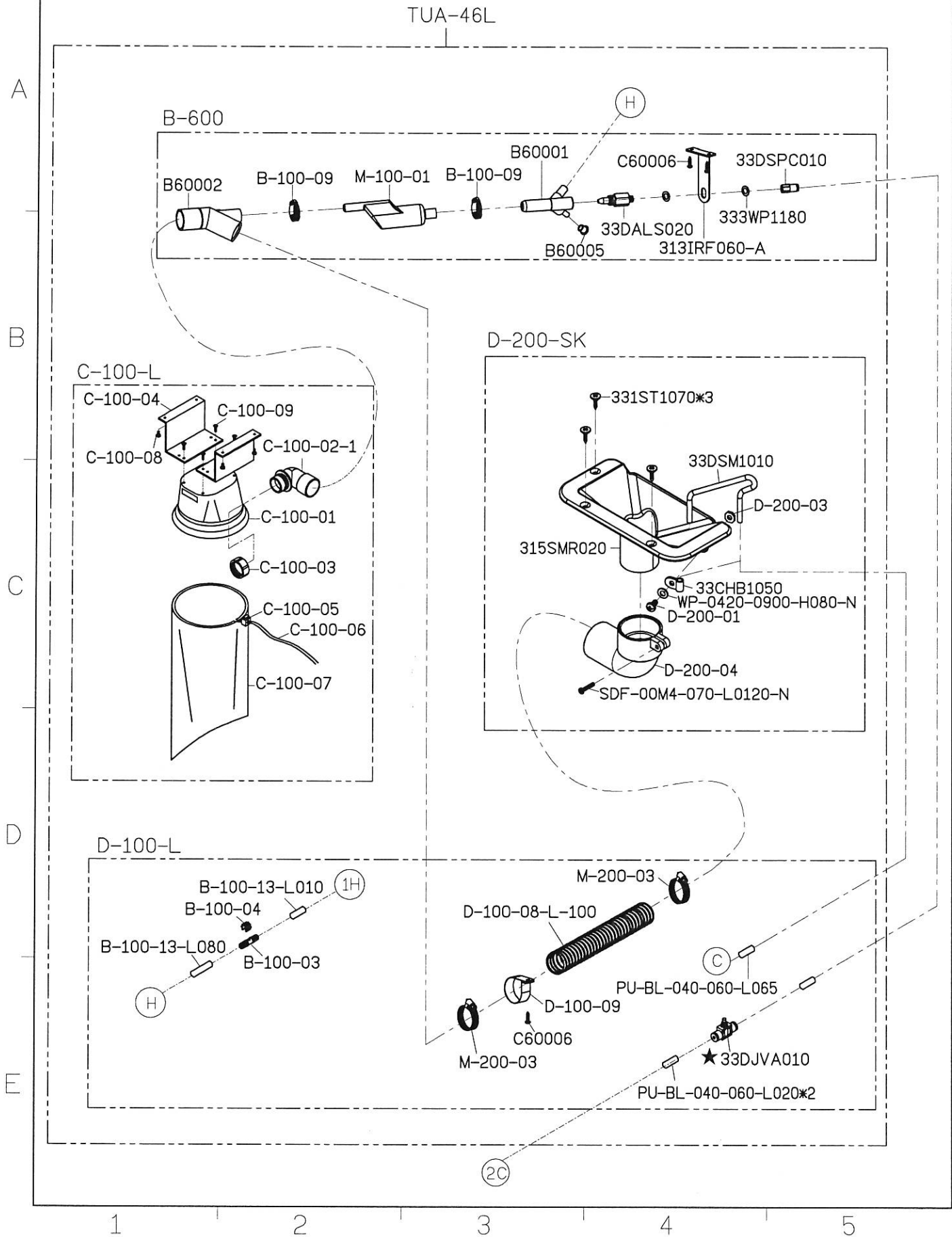


DKH101ADE-E

SM4837*3

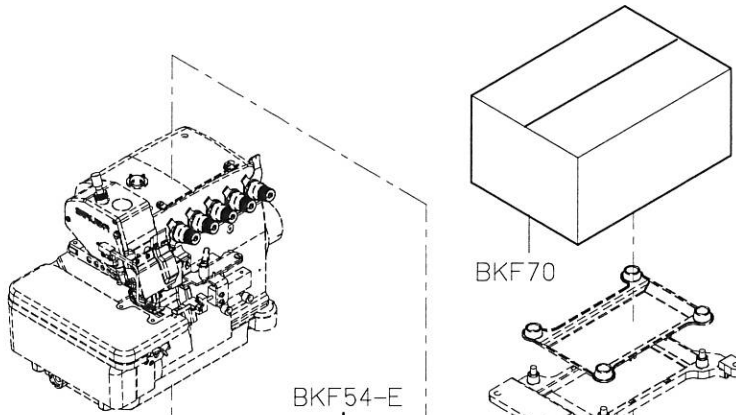


SIRUBA PARTS LIST	Series	Parts Group	Subclass / Remark	Page
	700L	UC-LD	Note 註記: 1) ★ Before installation, please check one side is Air IN, another side is Air OUT.	5/6
				Date
				2021/12/01

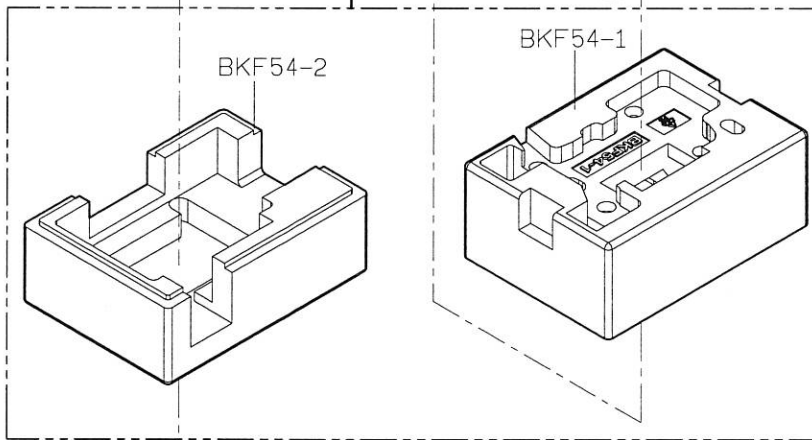


SIRUBA PARTS LIST	Series	Parts Group	Subclass / Remark	Page
	700L	UC-LD		6/6
				Date
				2021/12/01

A

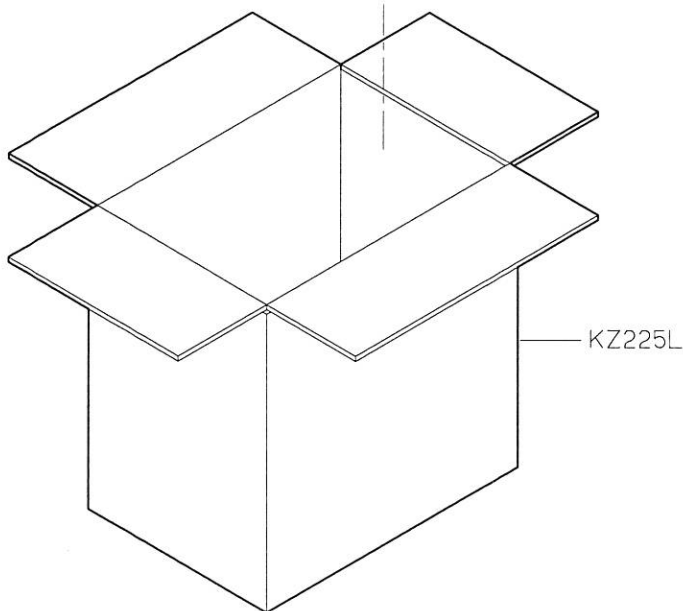


B



C

D



E

1

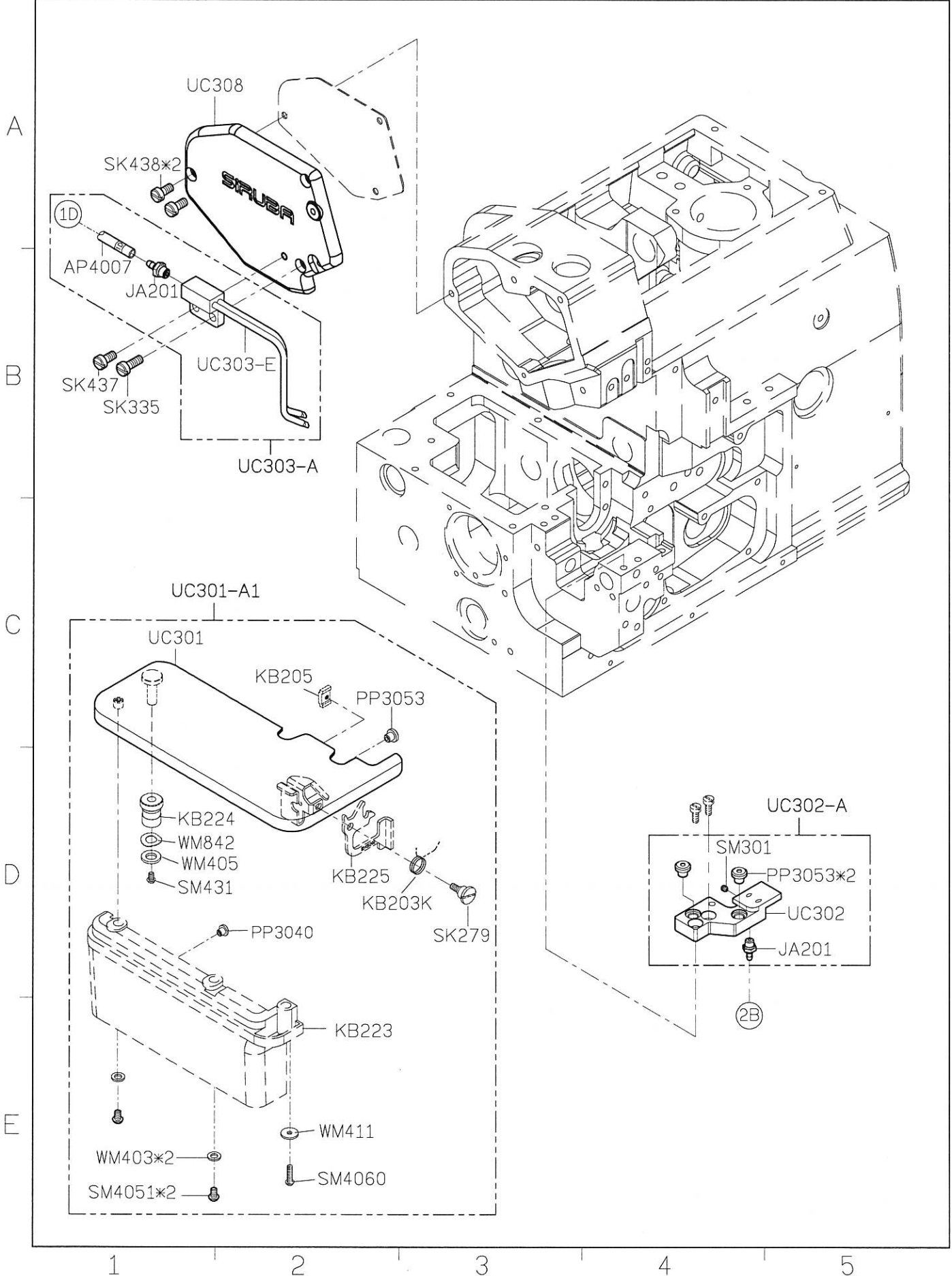
2

3

4

5

SIRUBA PARTS LIST	Series	Parts Group	Subclass / Remark	Page
	700K/700L	UC-L2	*機械式 *不含VT組及吸布屑組 *無抬押腳組 *FOR 內, 外捲	1/4 Date 2020/05/12



SIRUBA PARTS LIST	Series	Parts Group	Subclass / Remark	Page
	700K/700L	UC-L2	*機械式 *不含VT組及吸布屑組 *無抬押腳組 *FOR 內, 外捲	2/4 Date 2020/05/12

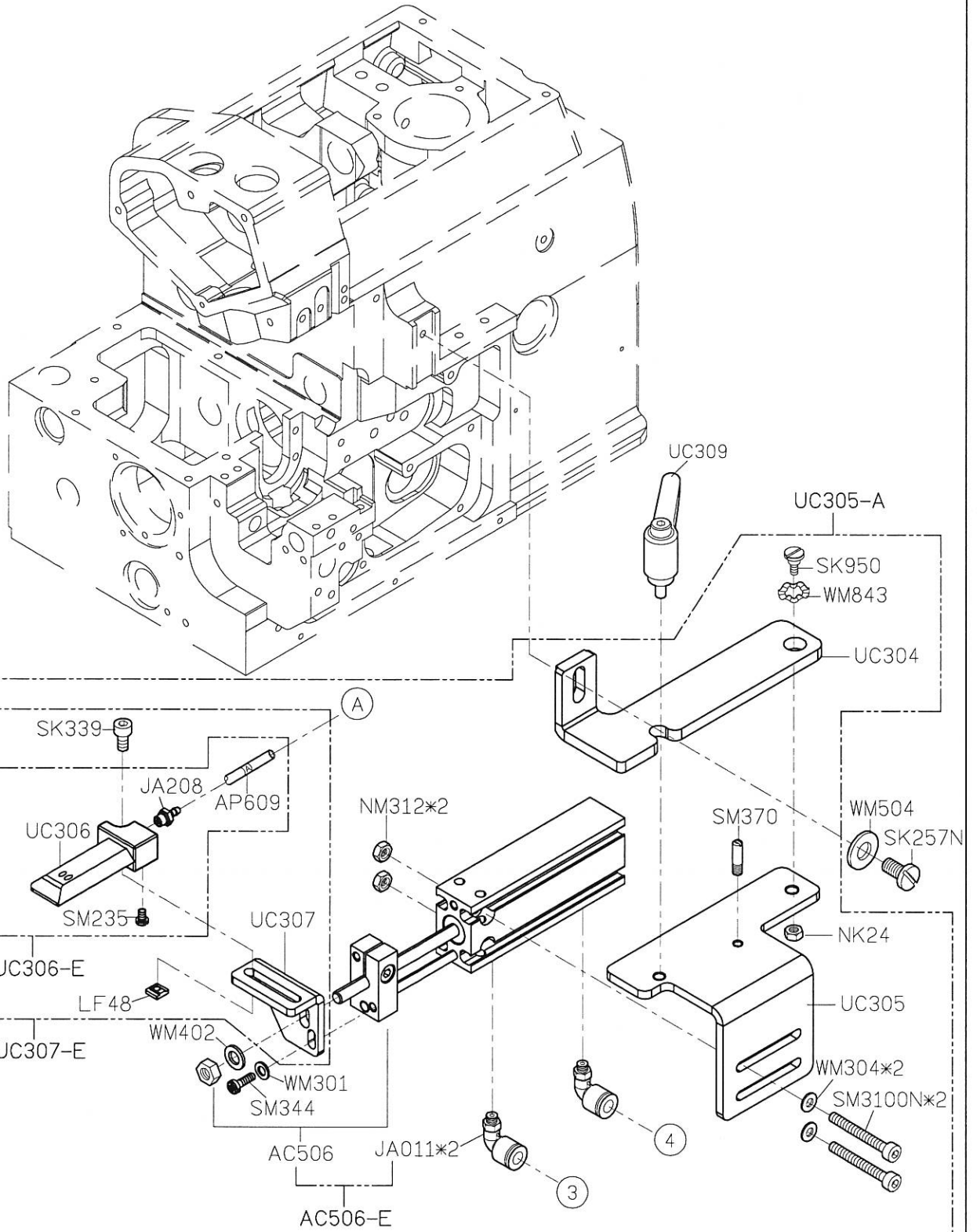
A

B

C

D

E



1

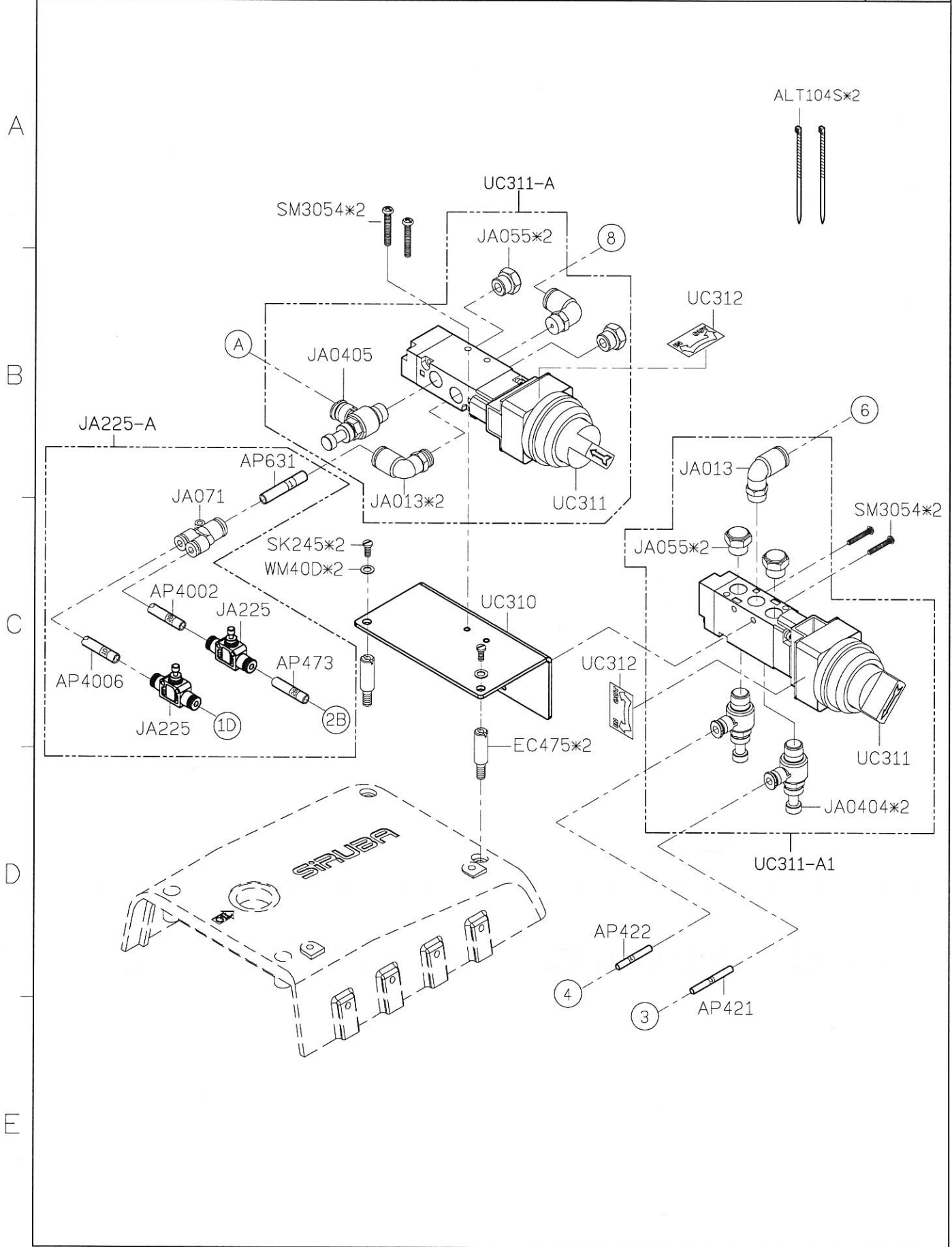
2

3

4

5

SIRUBA PARTS LIST	Series	Parts Group	Subclass / Remark	Page
	700K/700L	UC-L2	*機械式	3/4
			*不含VT組及吸布屑組	Date
			*無抬押腳組	2020/05/12
			*FOR 內, 外捲	



1 2 3 4 5

SIRUBA PARTS LIST	Series	Parts Group	Subclass / Remark	Page
	700K/700L	UC-L2	*機械式	4/4
			*不含VT組及吸布屑組	Date
			*無抬押腳組	2020/05/12
			*FOR 內, 外捲	

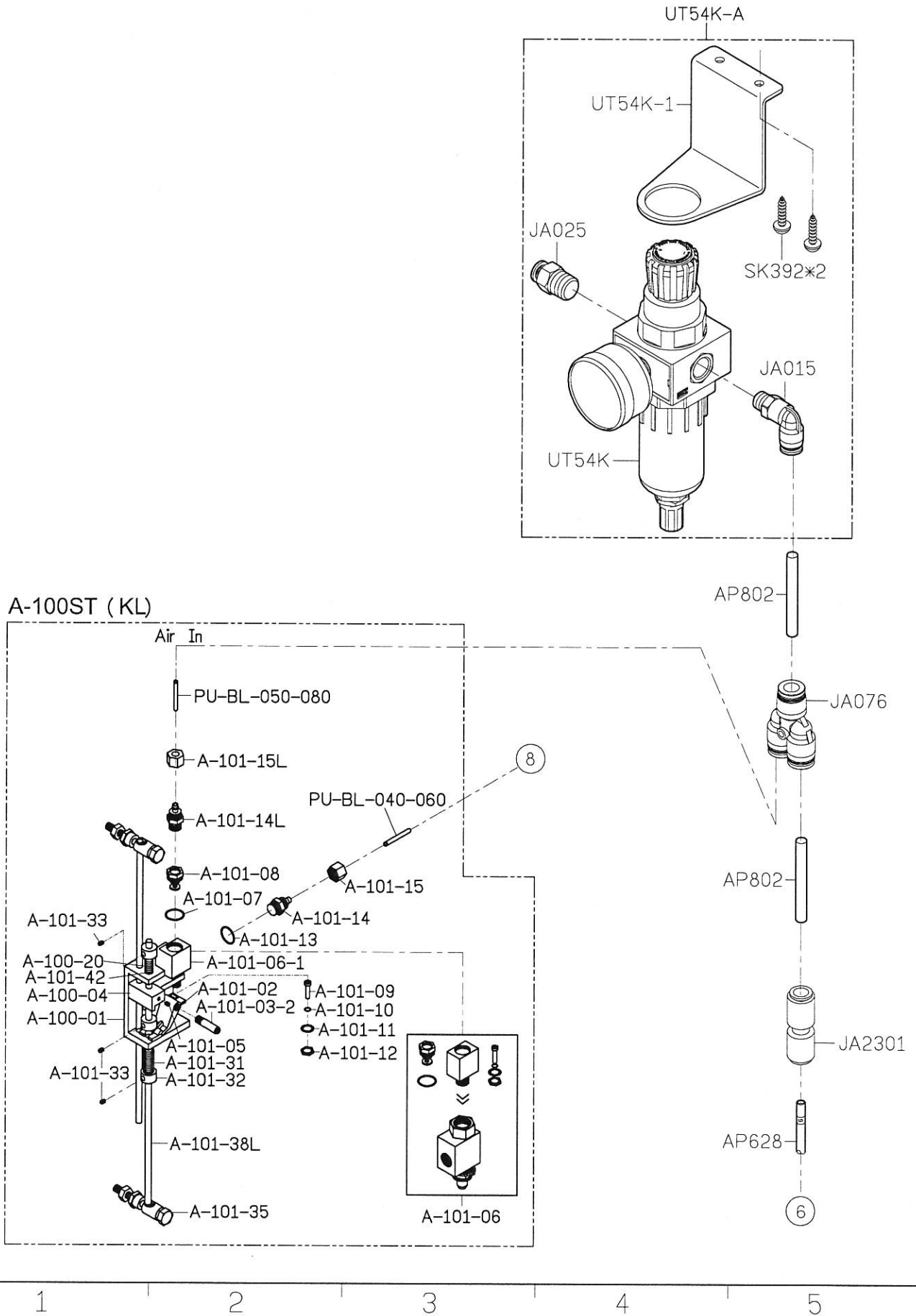
A

B

C

D

E



1

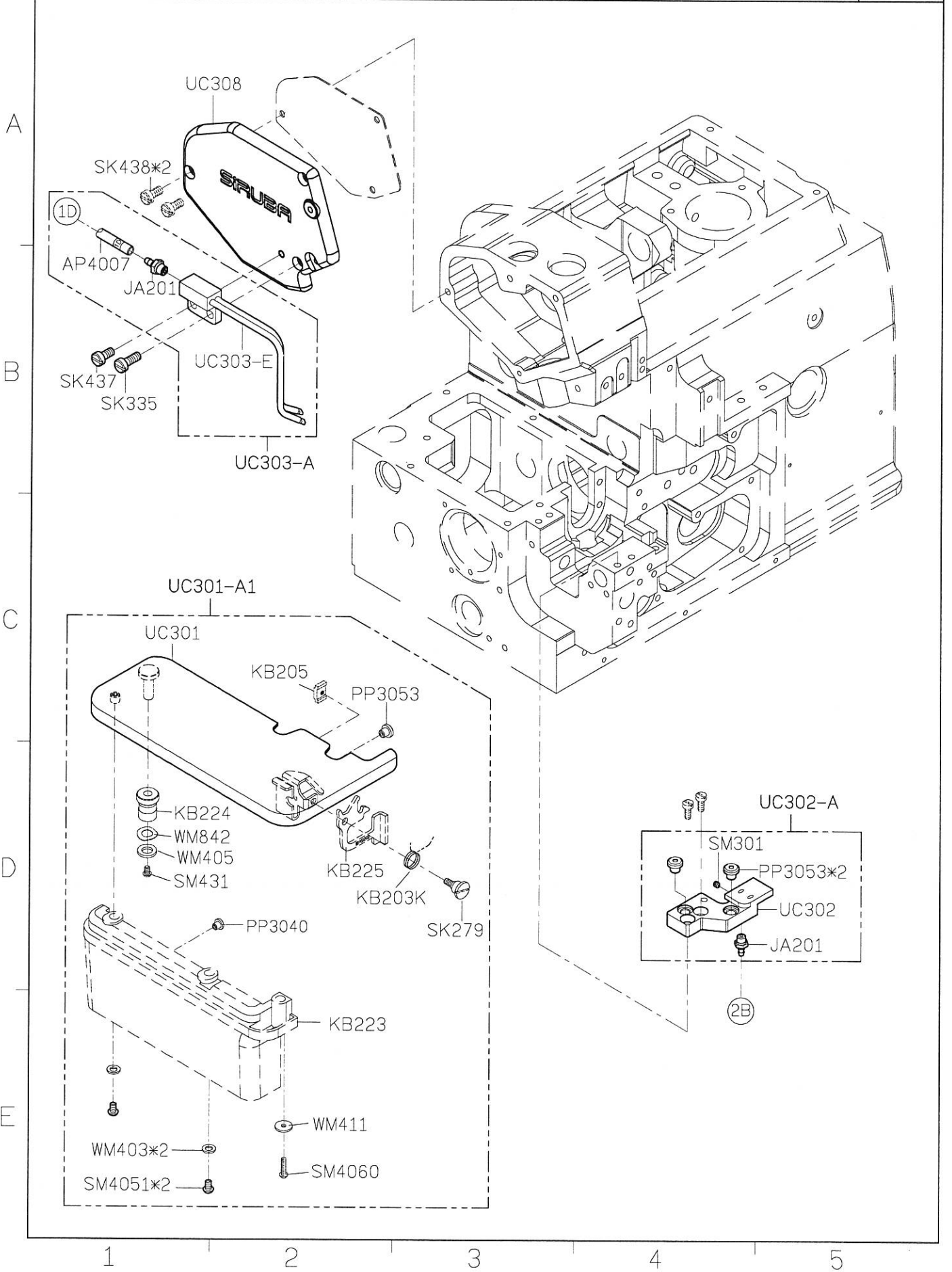
2

3

4

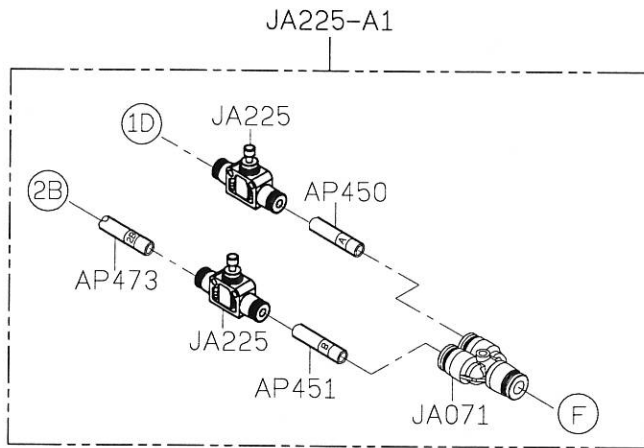
5

SIRUBA PARTS LIST	Series	Parts Group	Subclass / Remark	Page
	700K/700L	UC-L3	*機械式 *不含VT組及吸布屑組 *無抬押腳組 *FOR 外捲	1/2
				Date
				2020/04/27

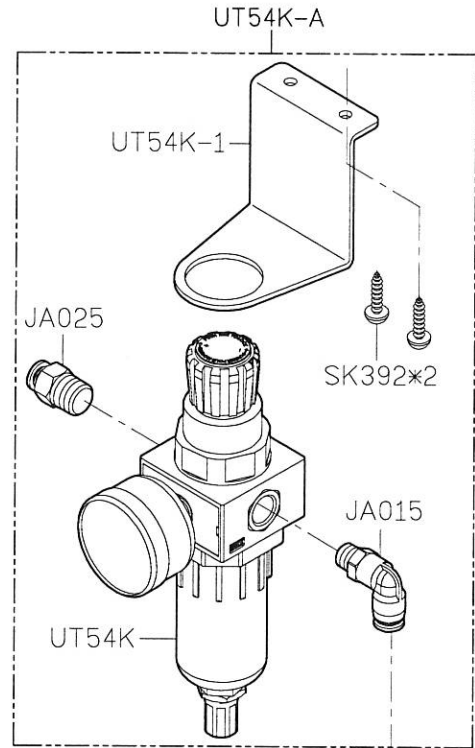


SIRUBA PARTS LIST	Series	Parts Group	Subclass / Remark	Page
	700K/700L	UC-L3	*機械式 *不含VT組及吸布屑組 *無抬押腳組 *FOR 外捲	2/2
				Date
				2020/04/27

A

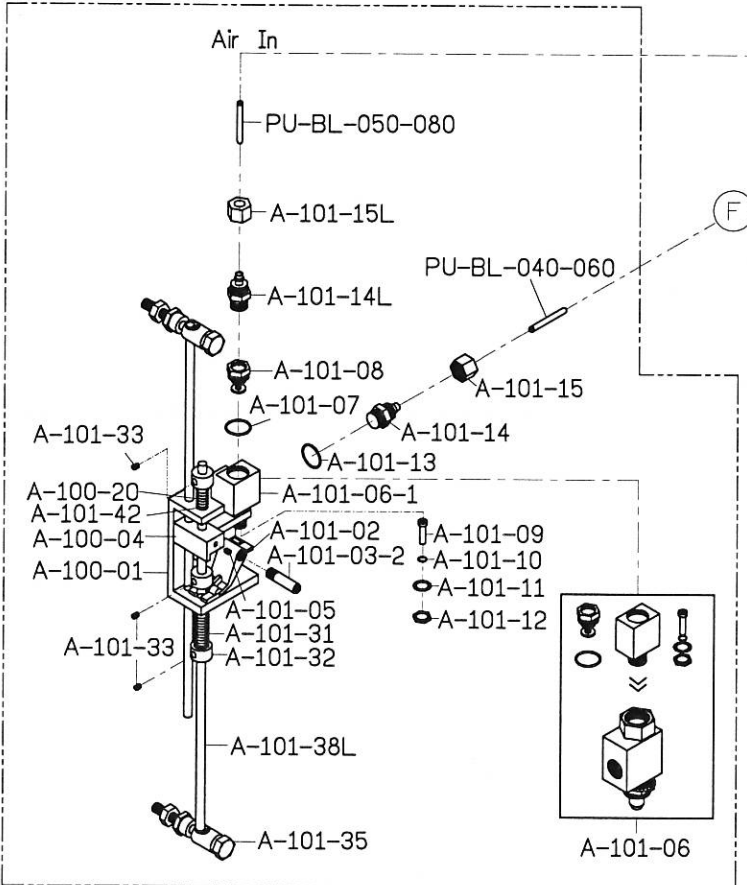


B



C

A-100ST (KL)



D

E

1

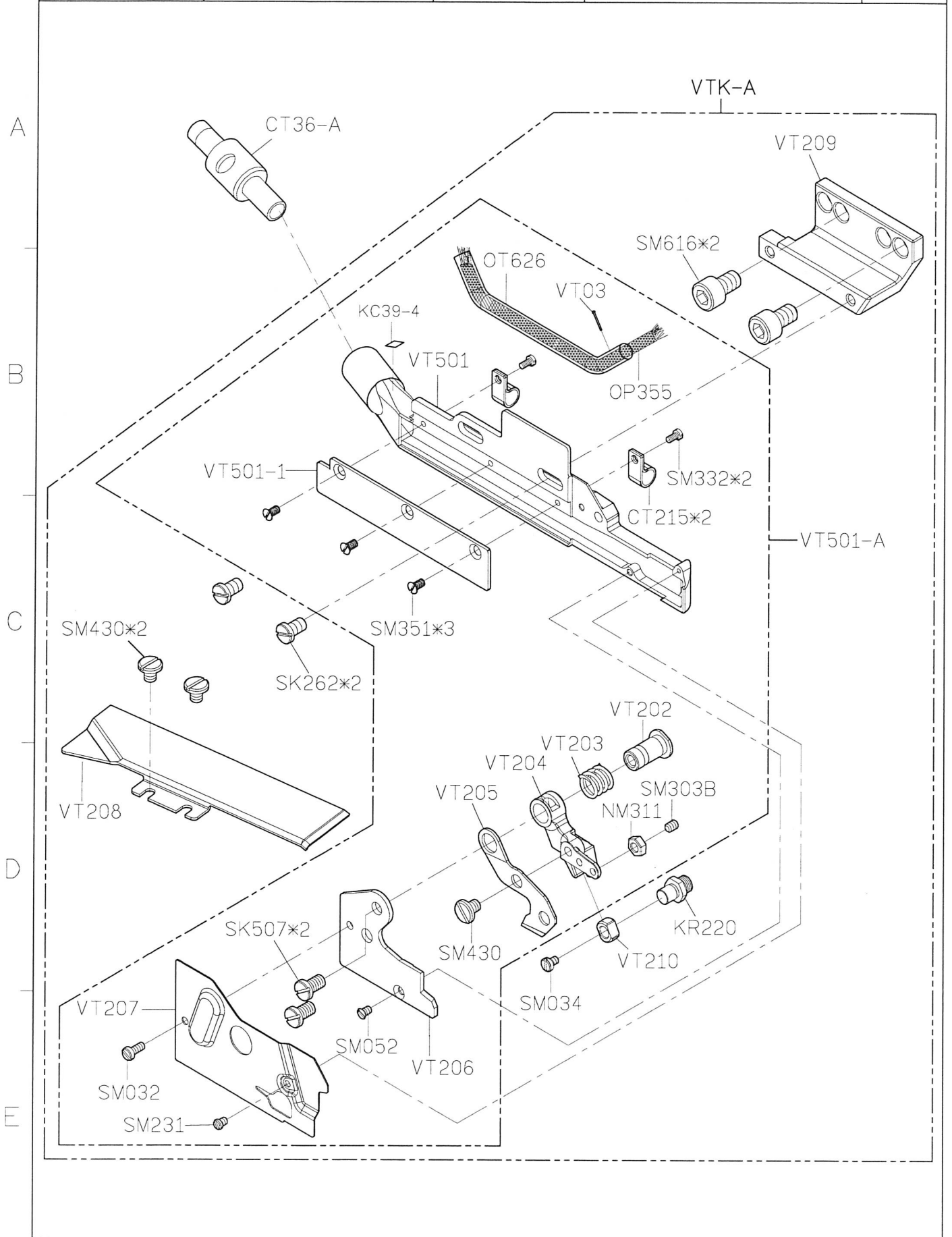
2

3

4

5

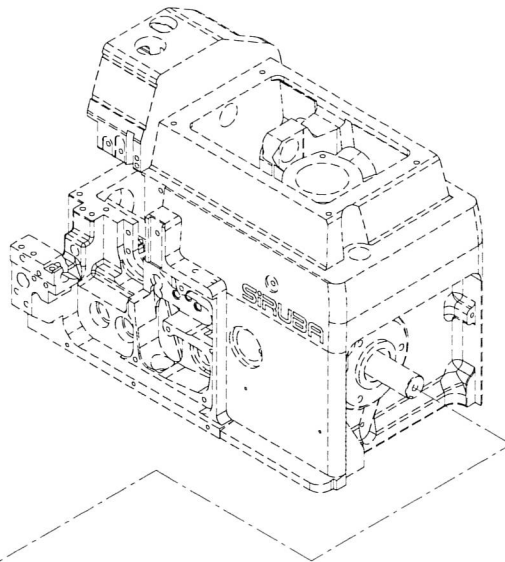
SIRUBA PARTS LIST	Series	Parts Group	Subclass / Remark	Page
	700L 600KP	VT		1/2
				Date
				2023/03/28



SIRUBA PARTS LIST	Series	Parts Group	Subclass / Remark	Page
	700L 600KP	VT		2/2
				Date
				2023/03/28

電控箱代號	定義	備註
DKU201NDE-E	一般簡易直驅用	DKUL1-0
DKU501ADE-E	電磁閥集塵直驅用	DKUL1-5

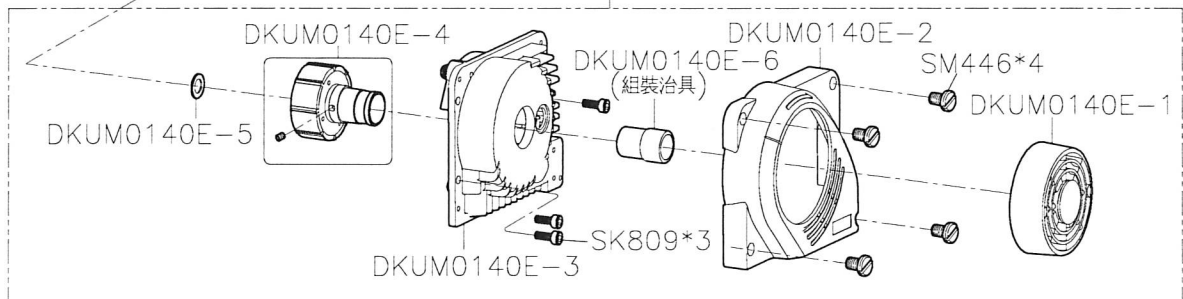
A



B

DKUM0140E-E

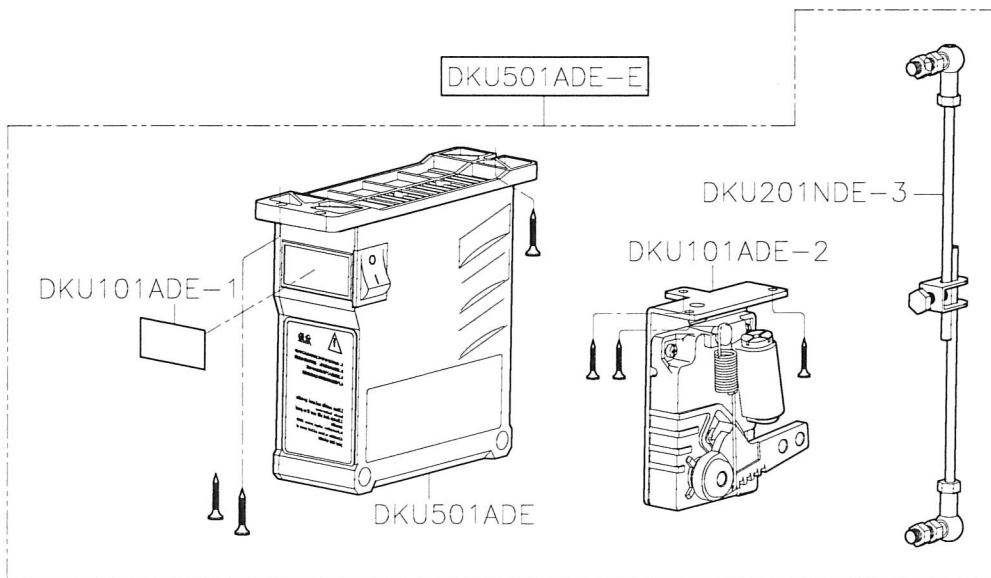
C



D

DKU501ADE-E

E



1

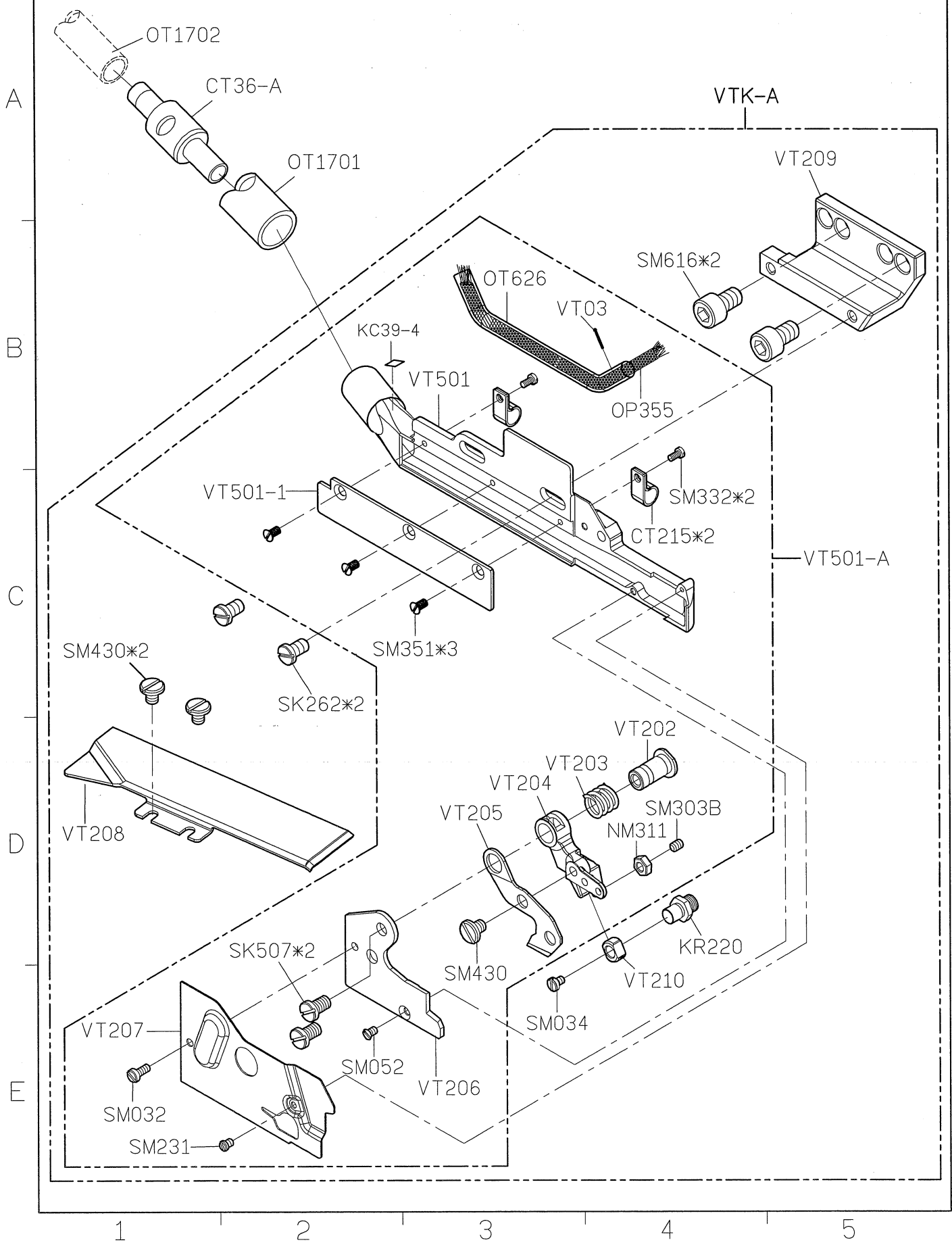
2

3

4

5

SIRUBA PARTS LIST	Series	Parts Group	Subclass / Remark	Page
	700L	VT-K		1/1
				Date
				2017/04/27



SIRUBA PARTS LIST	Series	Parts Group	Subclass / Remark	Page
	700L	VTA-L		1/6
				Date
				2021/12/01

VTA-A1

KS-308046-91Y01/KSD

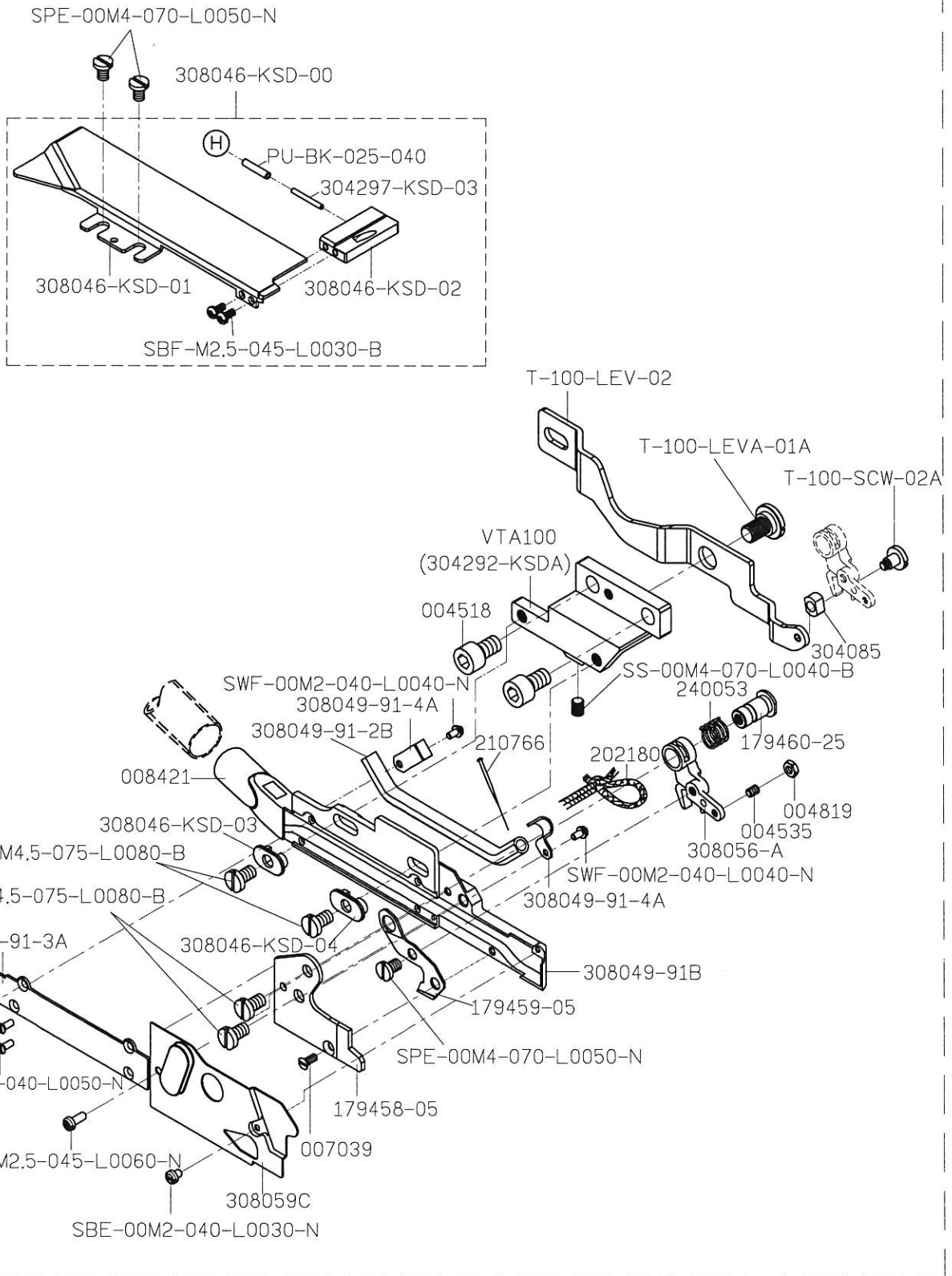
A

B

C

D

E



1

2

3

4

5

SIRUBA PARTS LIST	Series	Parts Group	Subclass / Remark	Page
	700L	VTA-L		2/6
				Date
				2021/12/01

VTA-A1

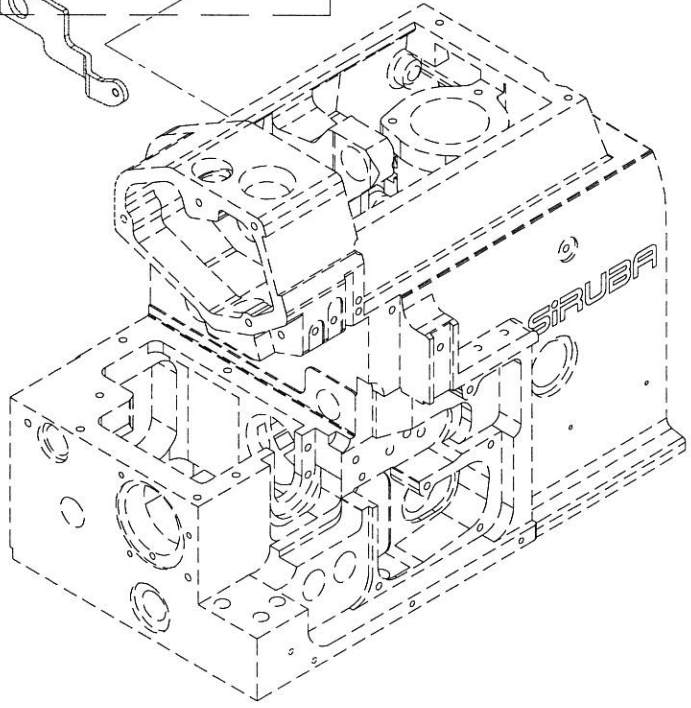
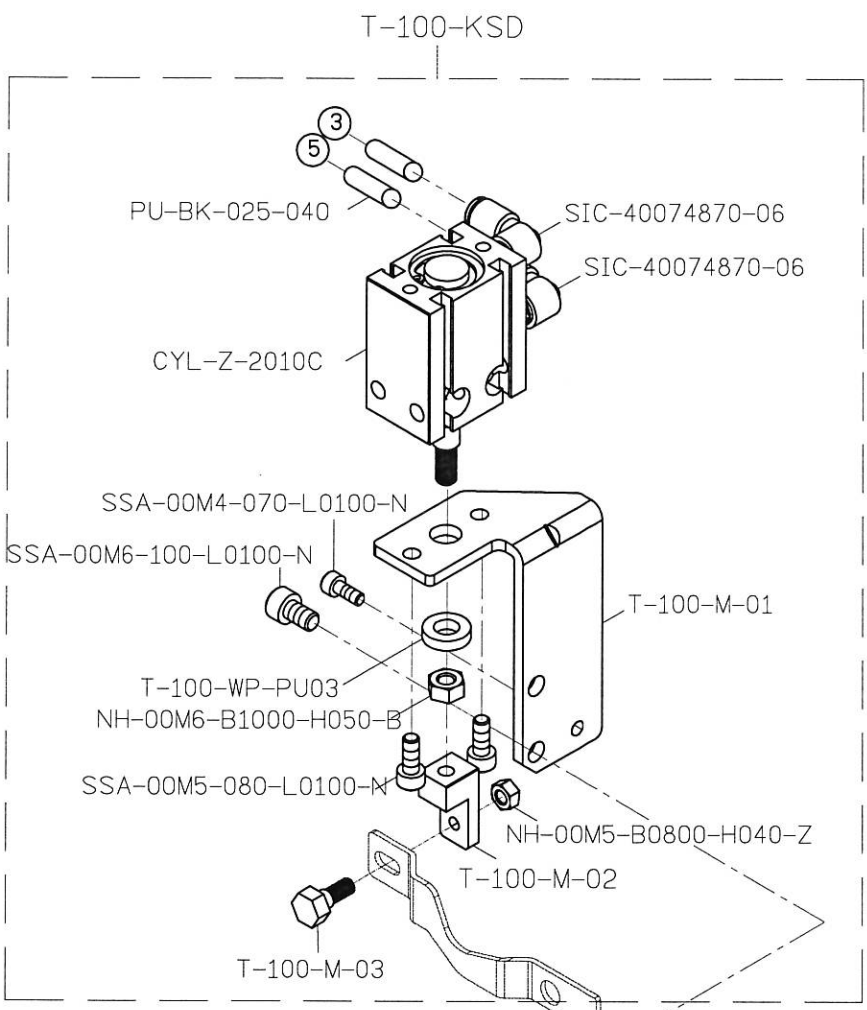
A

B

C

D

E



1

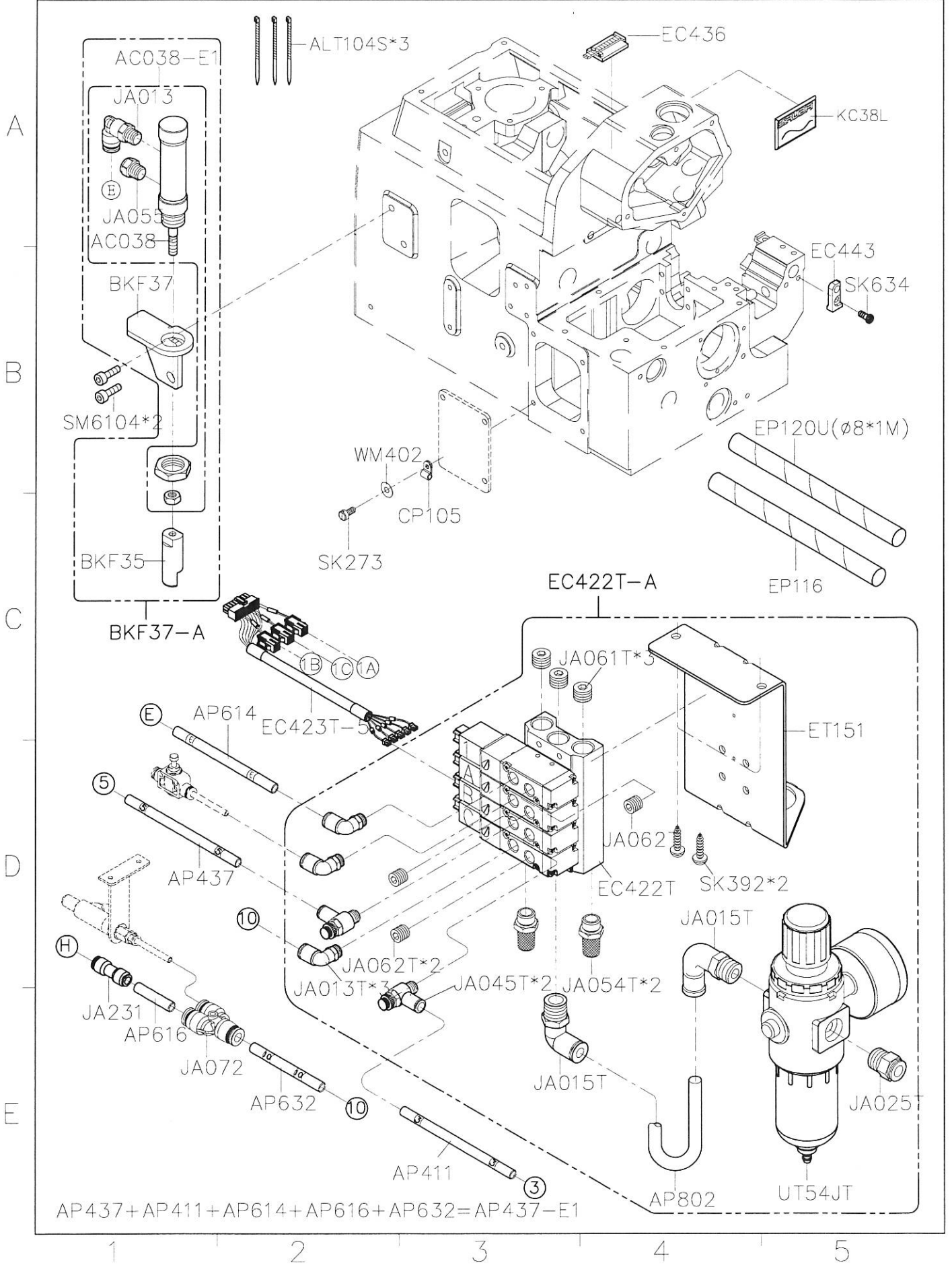
2

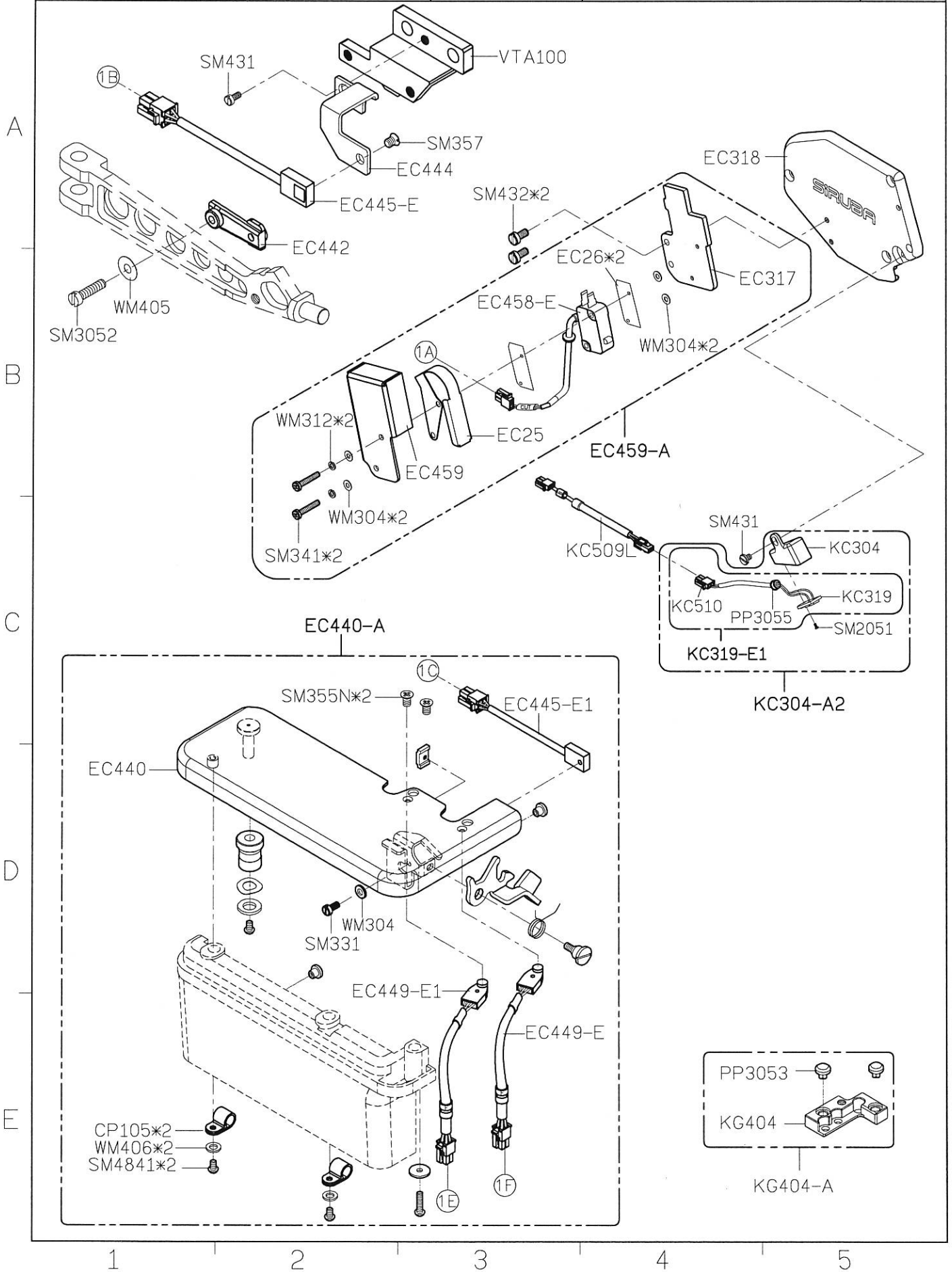
3

4

5

SIRUBA PARTS LIST	Series	Parts Group	Subclass / Remark	Page
	700L	VTA-L		3/6
				Date
				2022/12/26





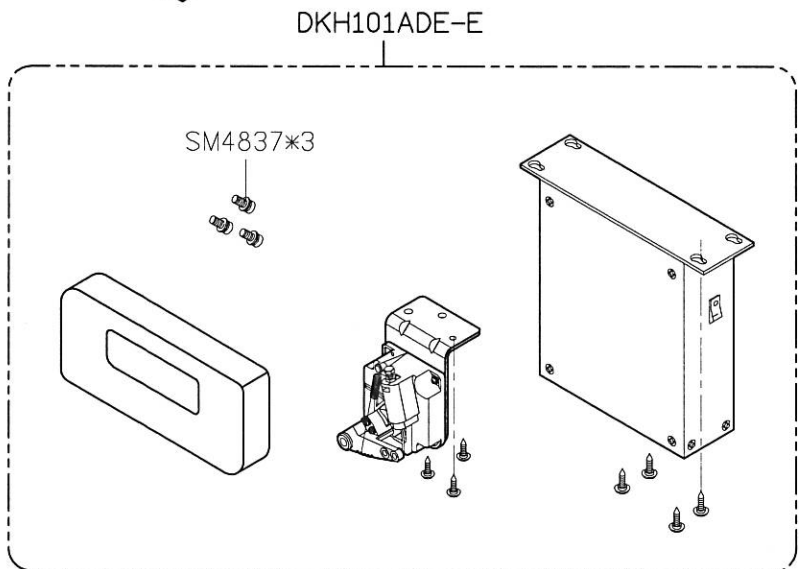
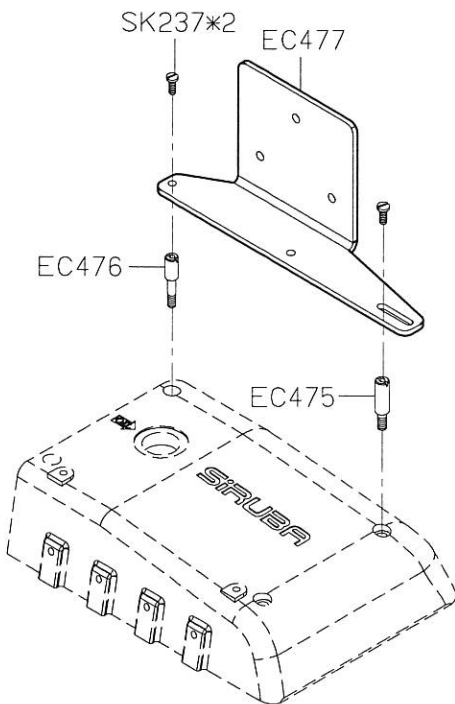
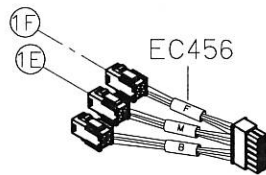
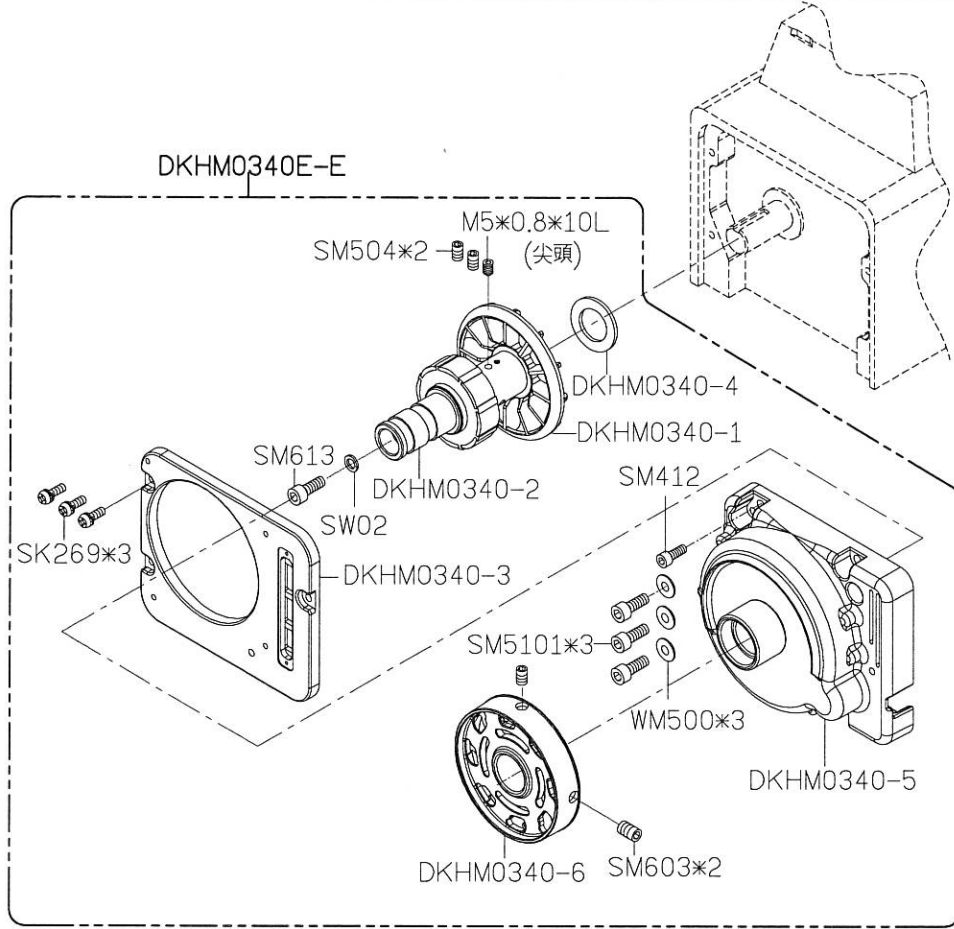
A

B

C

D

E



SIRUBA PARTS LIST	Series	Parts Group	Subclass / Remark	Page
	700L	VTA-L		6/6
				Date
				2021/12/01

A

B

C

D

E

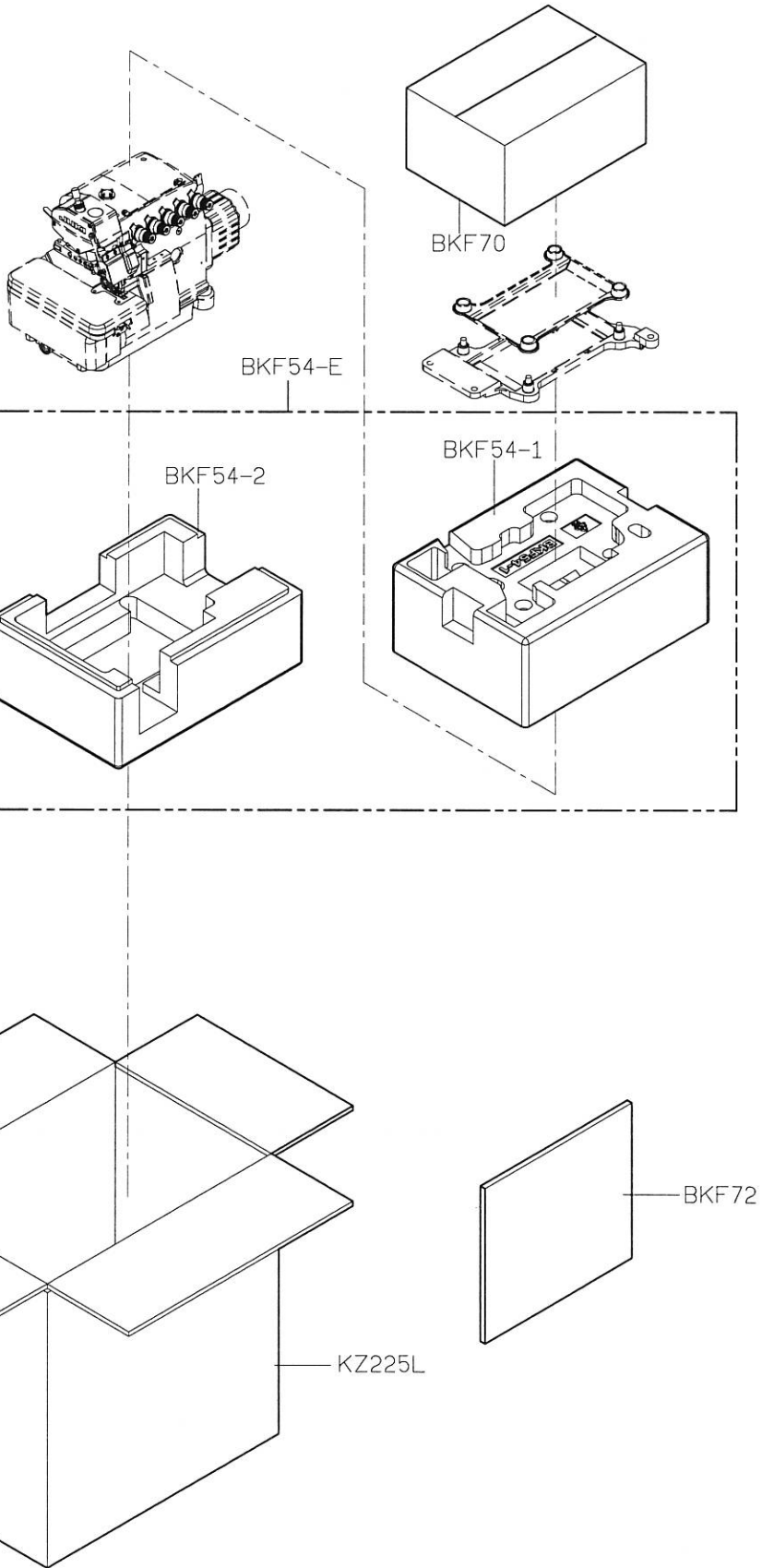
1

2

3

4

5



SIRUBA

PARTS LIST

Series

700L

Parts Group

VTE-L

Subclass / Remark

Page

1/5

Date

2021/12/01

A

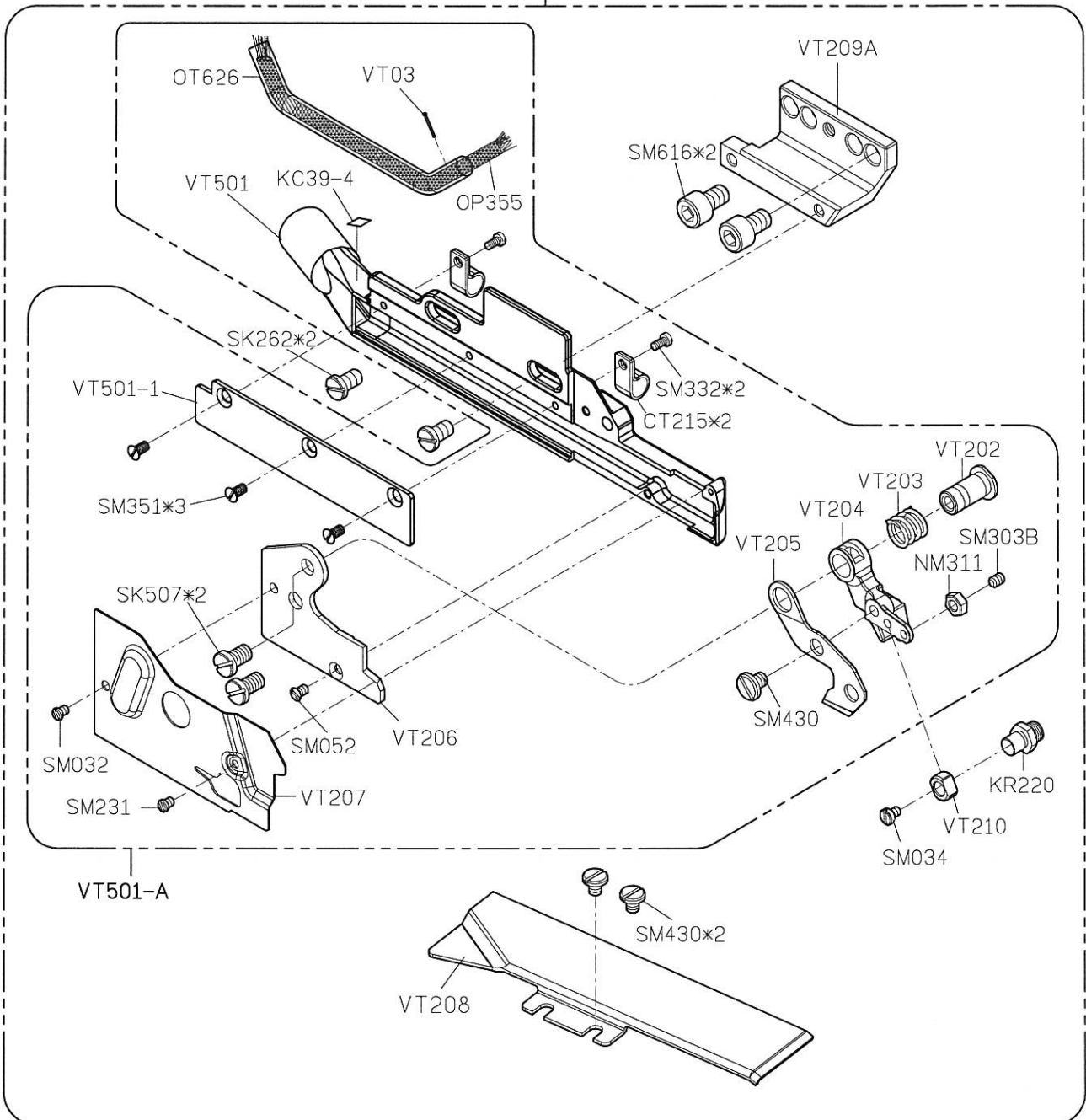
B

C

D

E

VTQ-A3



1

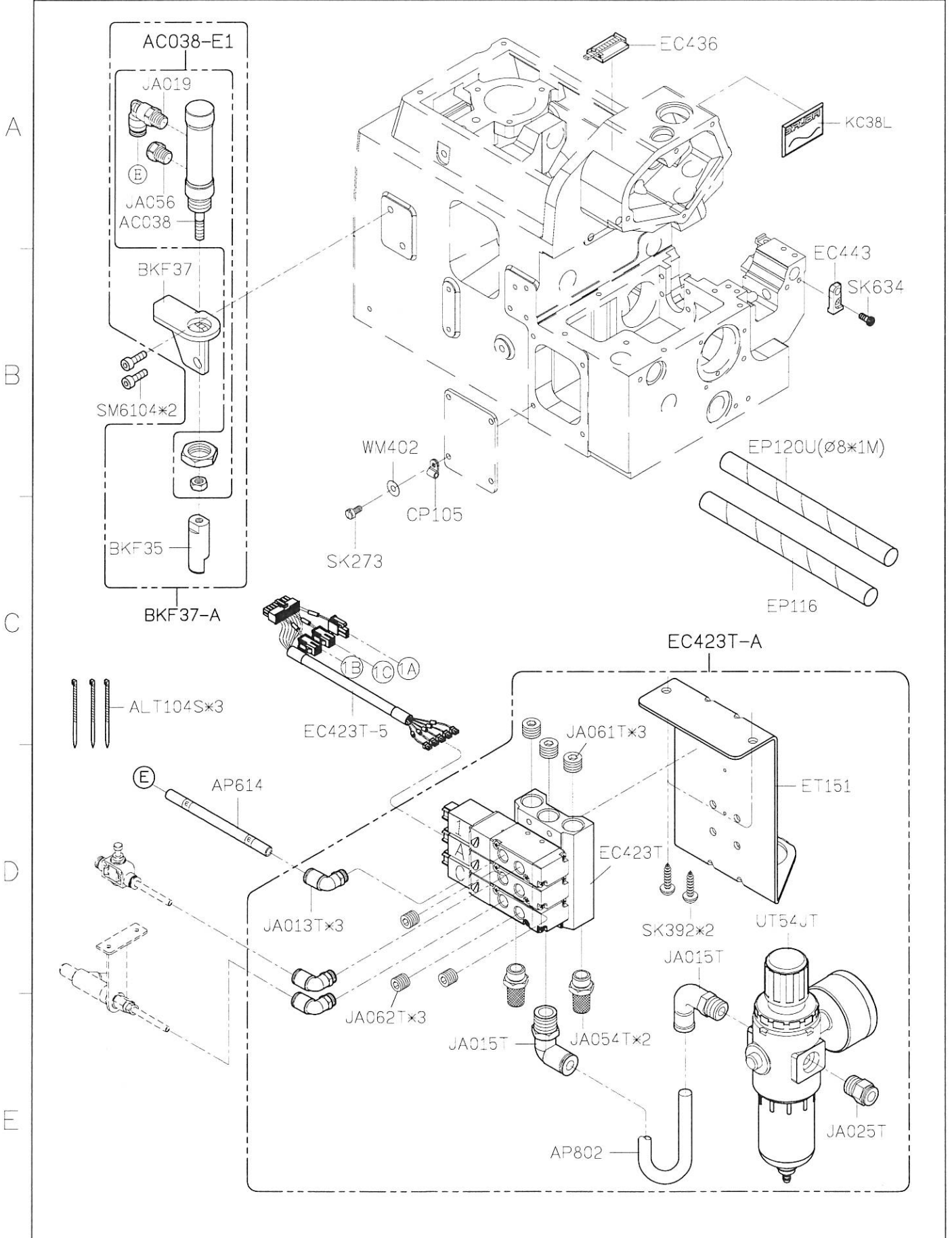
2

3

4

5

SIRUBA PARTS LIST	Series	Parts Group	Subclass / Remark	Page
	700L	VTE-L		2/5
				Date
				2022/12/19



1

2

3

4

5

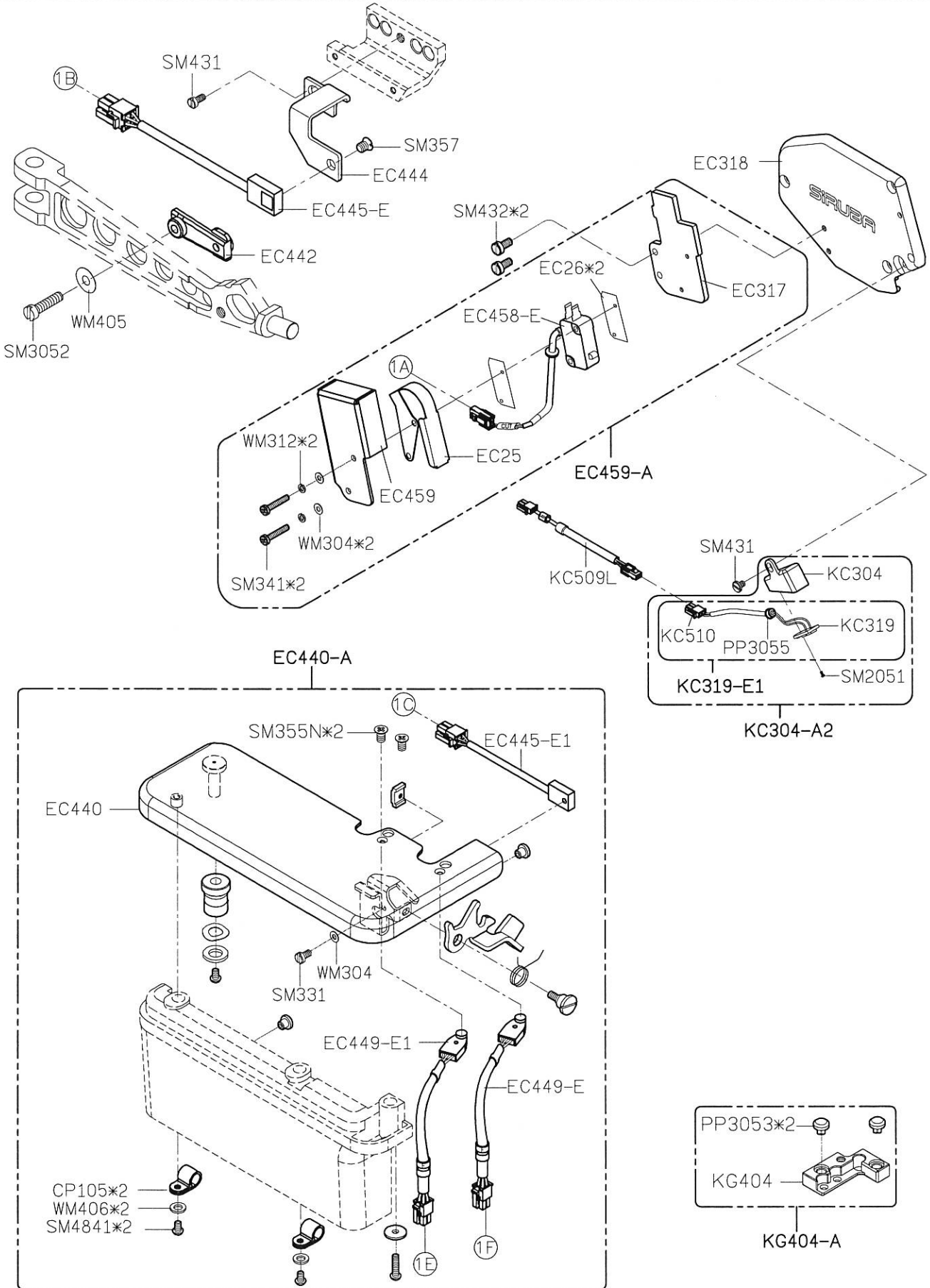
A

B

C

D

E



1

2

3

4

5

SIRUBA PARTS LIST	Series	Parts Group	Subclass / Remark	Page
	700L	VTE-L		4/5
				Date
				2021/12/01

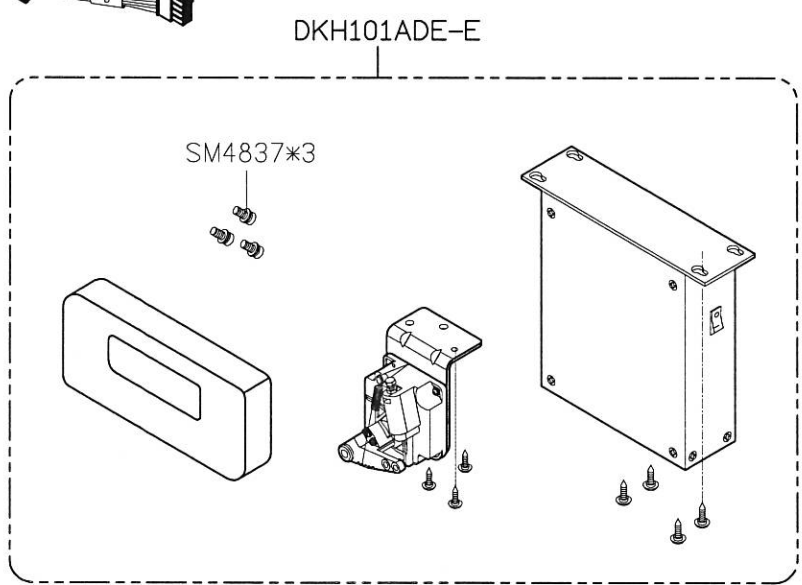
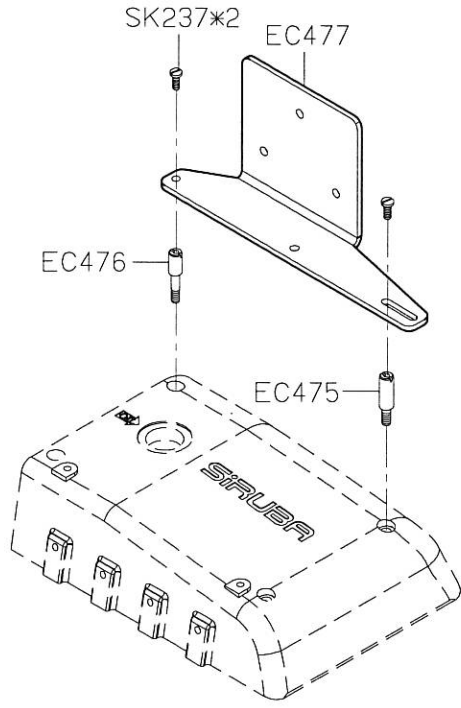
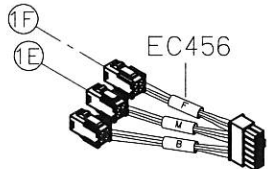
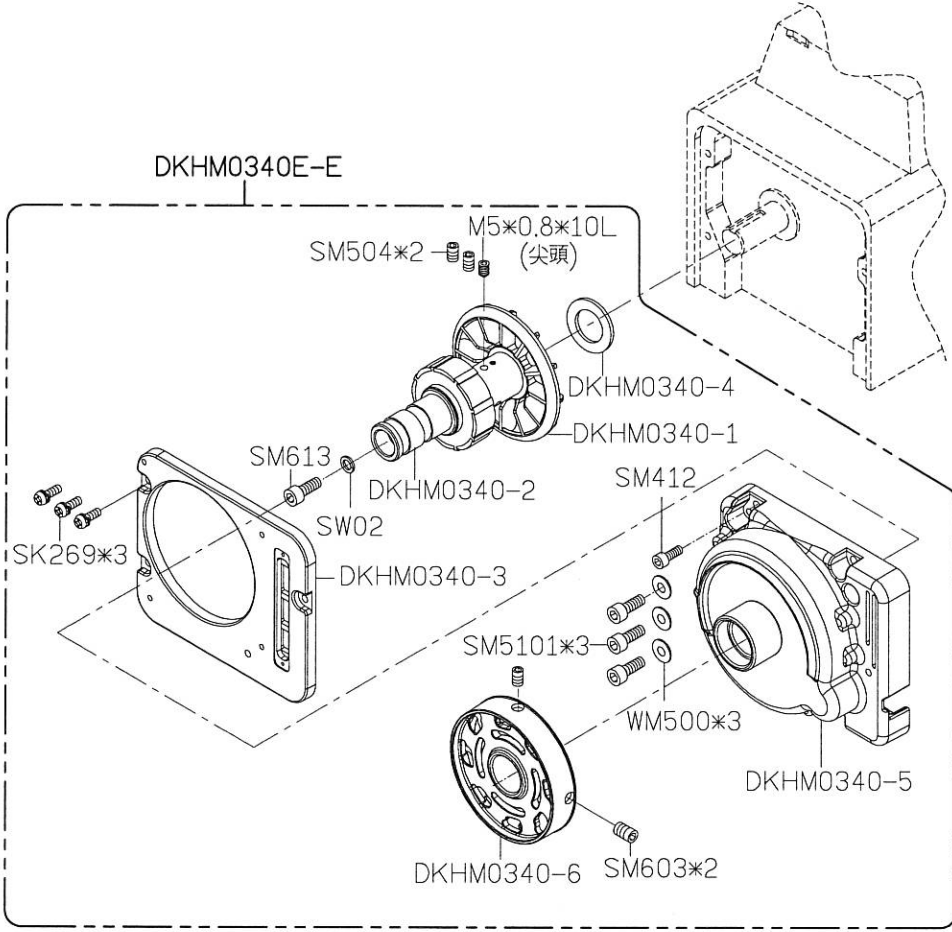
A

B

C

D

E



SIRUBA PARTS LIST	Series	Parts Group	Subclass / Remark	Page
	700L	VTE-L		5/5
				Date
				2021/12/01

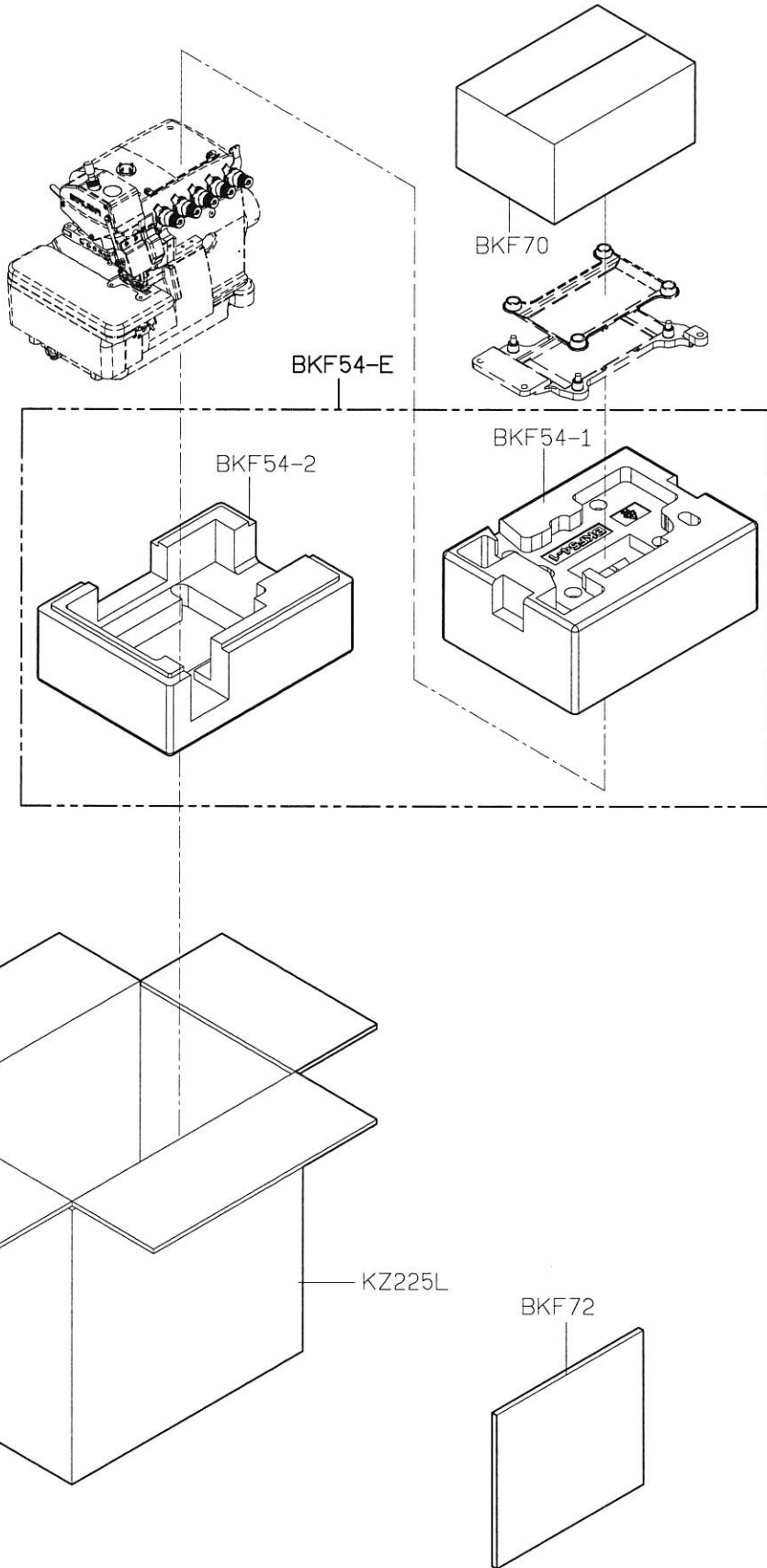
A

B

C

D

E



1

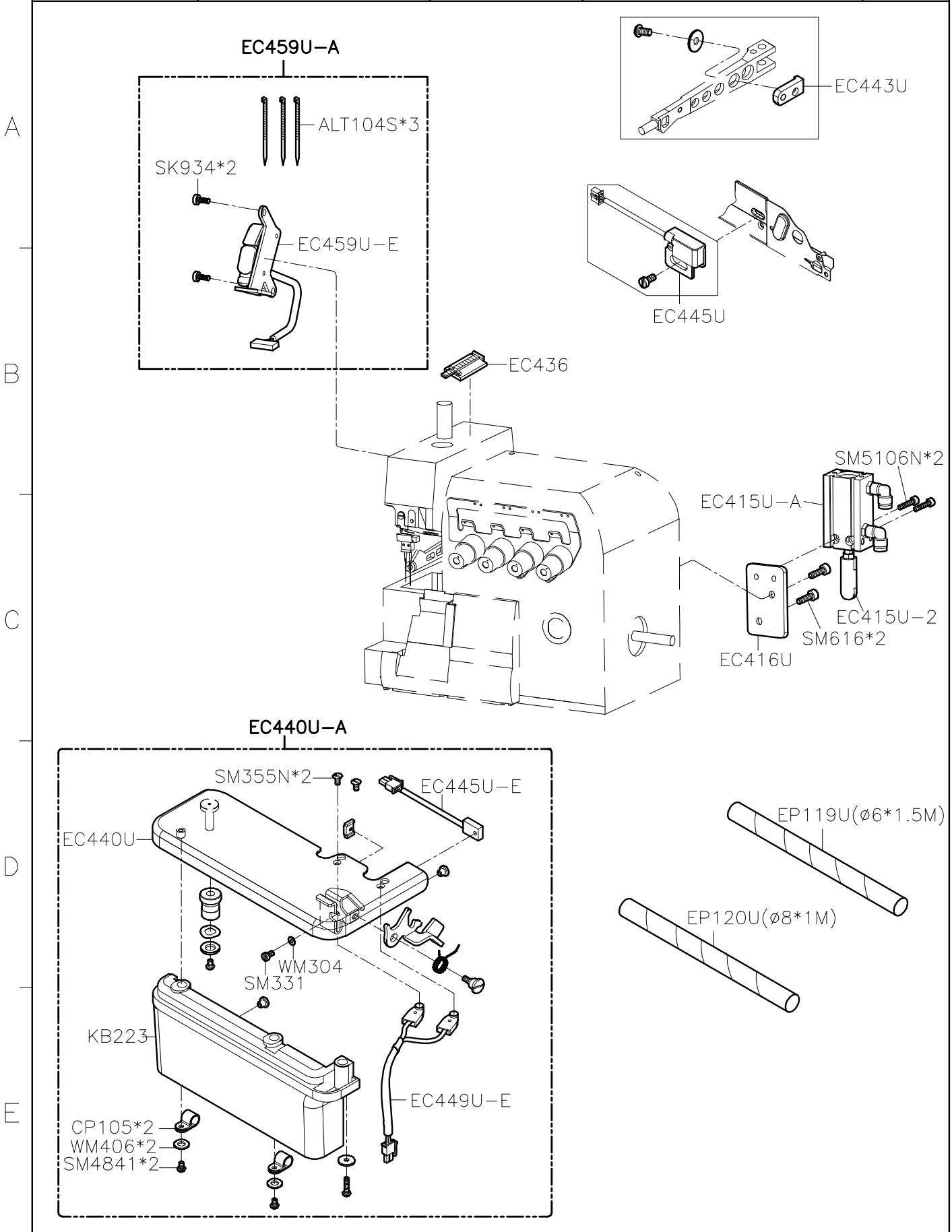
2

3

4

5

SIRUBA PARTS LIST	Series	Parts Group	Subclass / Remark	Page
	700K	VTE-U		1/5
	700L			Date
				2023/08/30



1

2

3

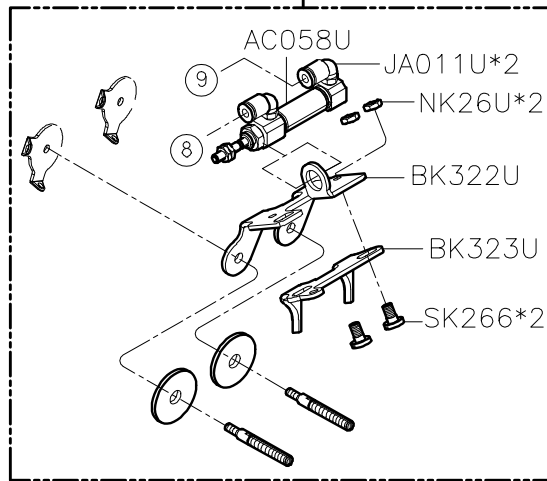
4

5

SIRUBA PARTS LIST	Series	Parts Group	Subclass / Remark	Page
	700K	VTE-U		2/5
	700L			Date
				2022/11/02

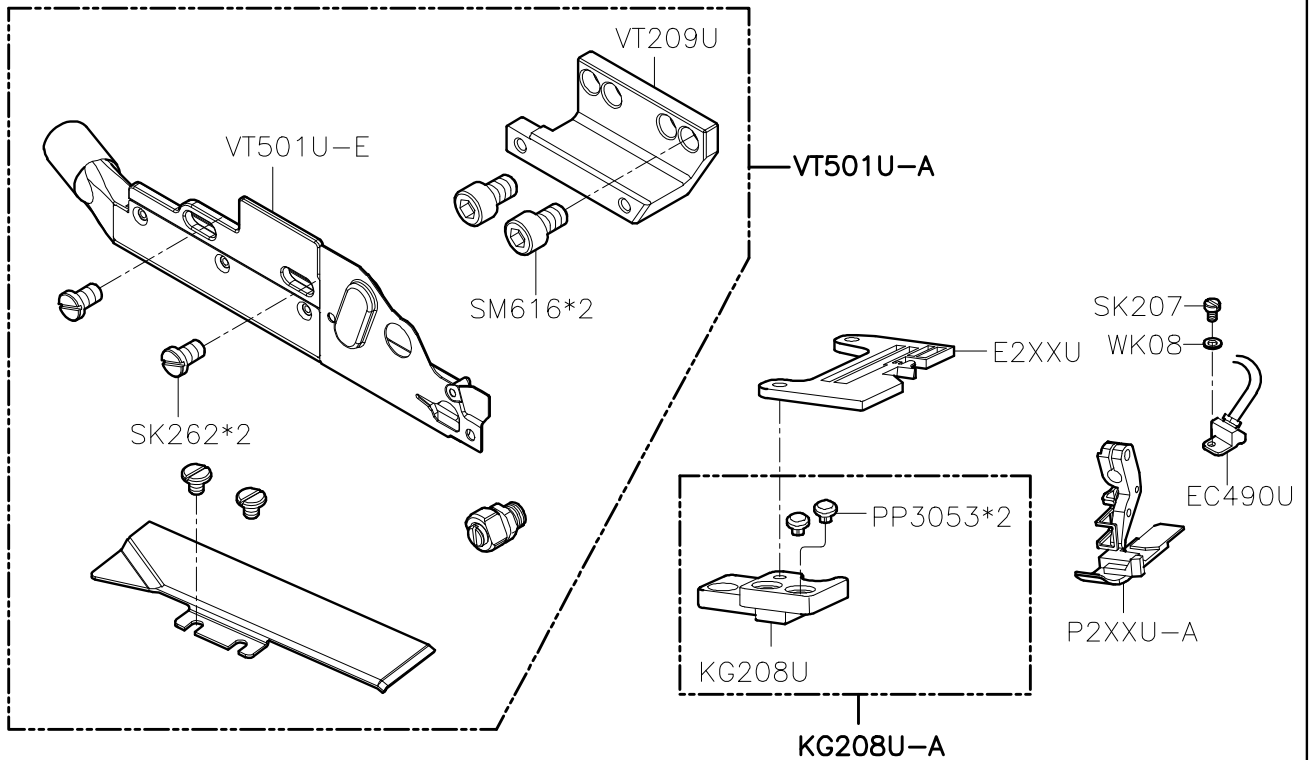
A

BK322U-E



B

C



D

E

1

2

3

4

5

SIRUBA PARTS LIST	Series	Parts Group	Subclass / Remark	Page
	700K 700L	VTE-U	△FOR 700K用 *FOR 700L用	3/5
				Date
				2022/11/03

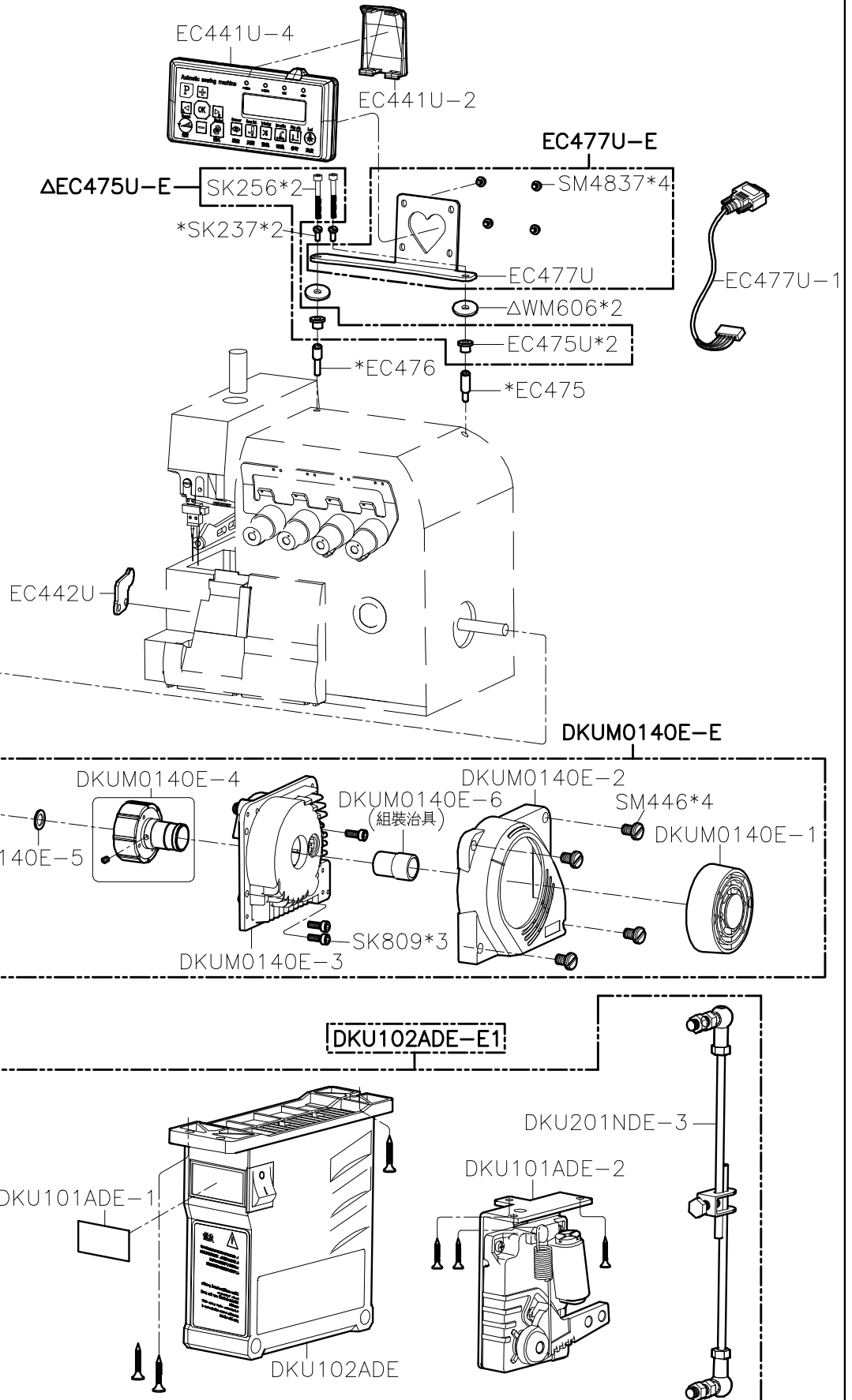
A

B

C

D

E



1

2

3

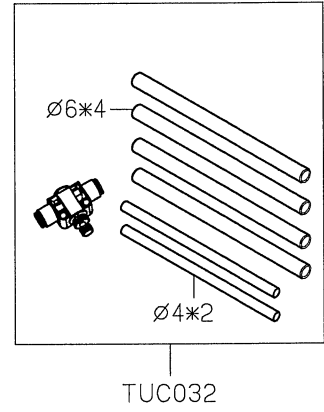
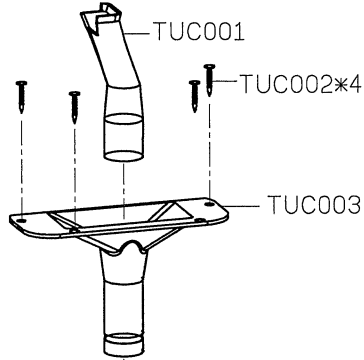
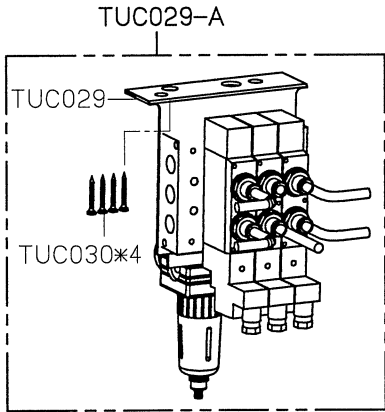
4

5

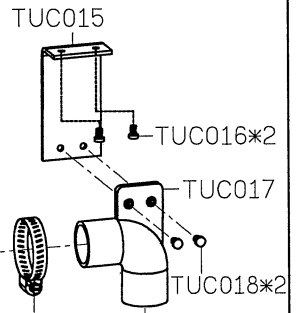
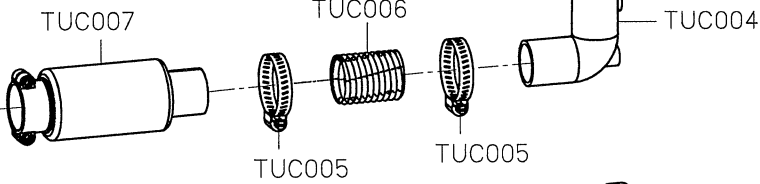
SIRUBA PARTS LIST	Series	Parts Group	Subclass / Remark	Page
	700K	VTE-U		4/5
	700L			Date
				2020/03/30

TUC-03

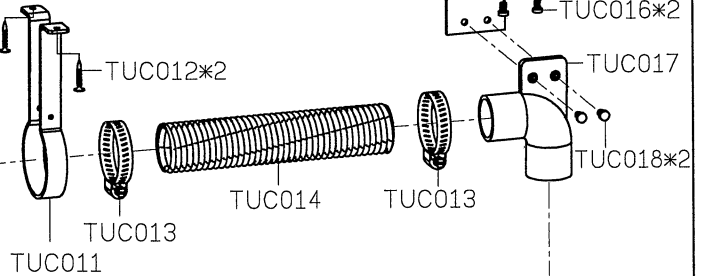
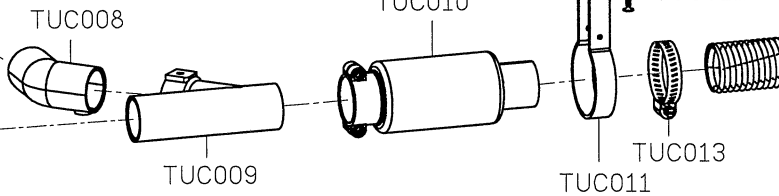
A



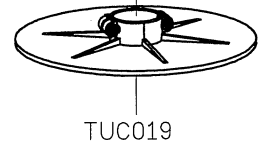
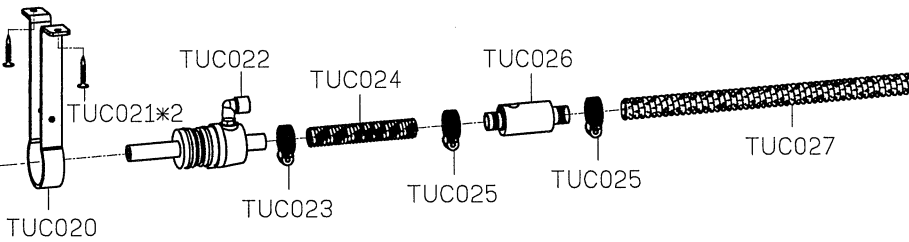
B



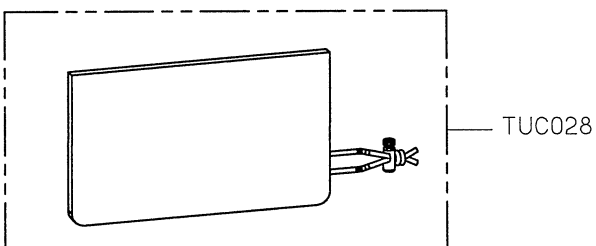
C



D



E



1

2

3

4

5

SIRUBA PARTS LIST	Series	Parts Group	Subclass / Remark	Page
	700K	VTE-U		5/5
	700L			Date
				2020/03/30

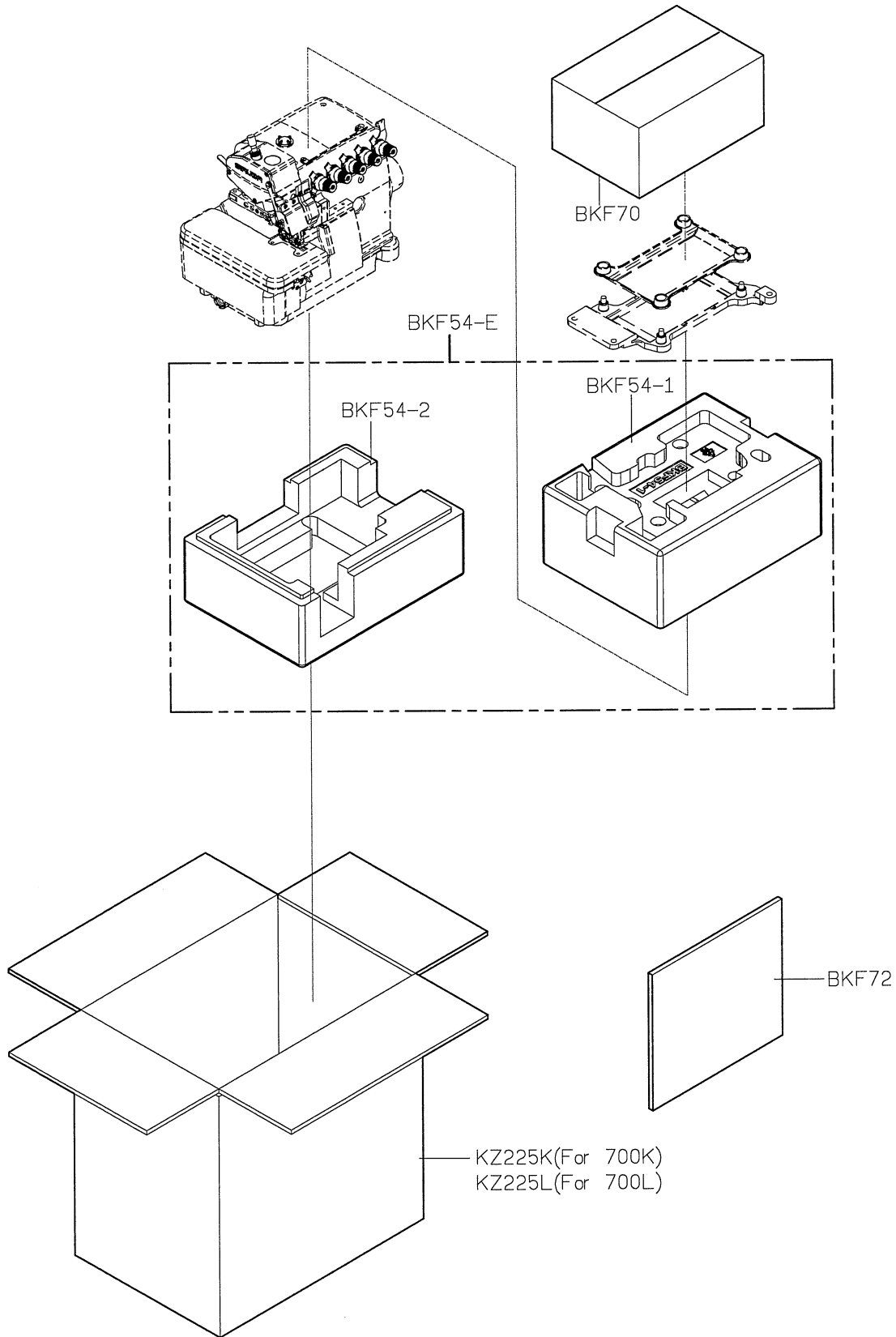
A

B

C

D

E



1

2

3

4

5

SIRUBA PARTS LIST	Series	Parts Group	Subclass / Remark	Page
	700L	WR-K1		1/1
				Date
				2016/06/25

