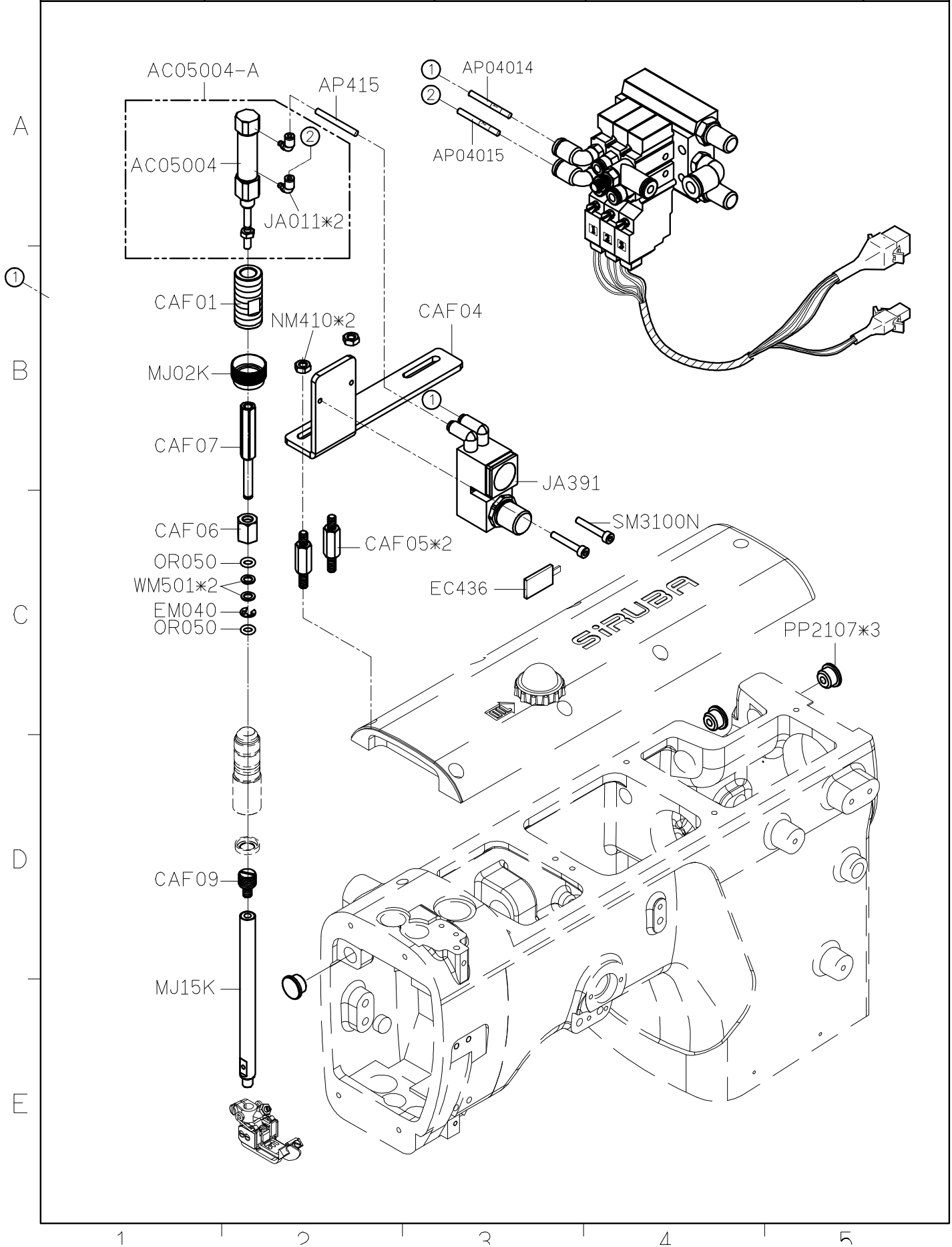
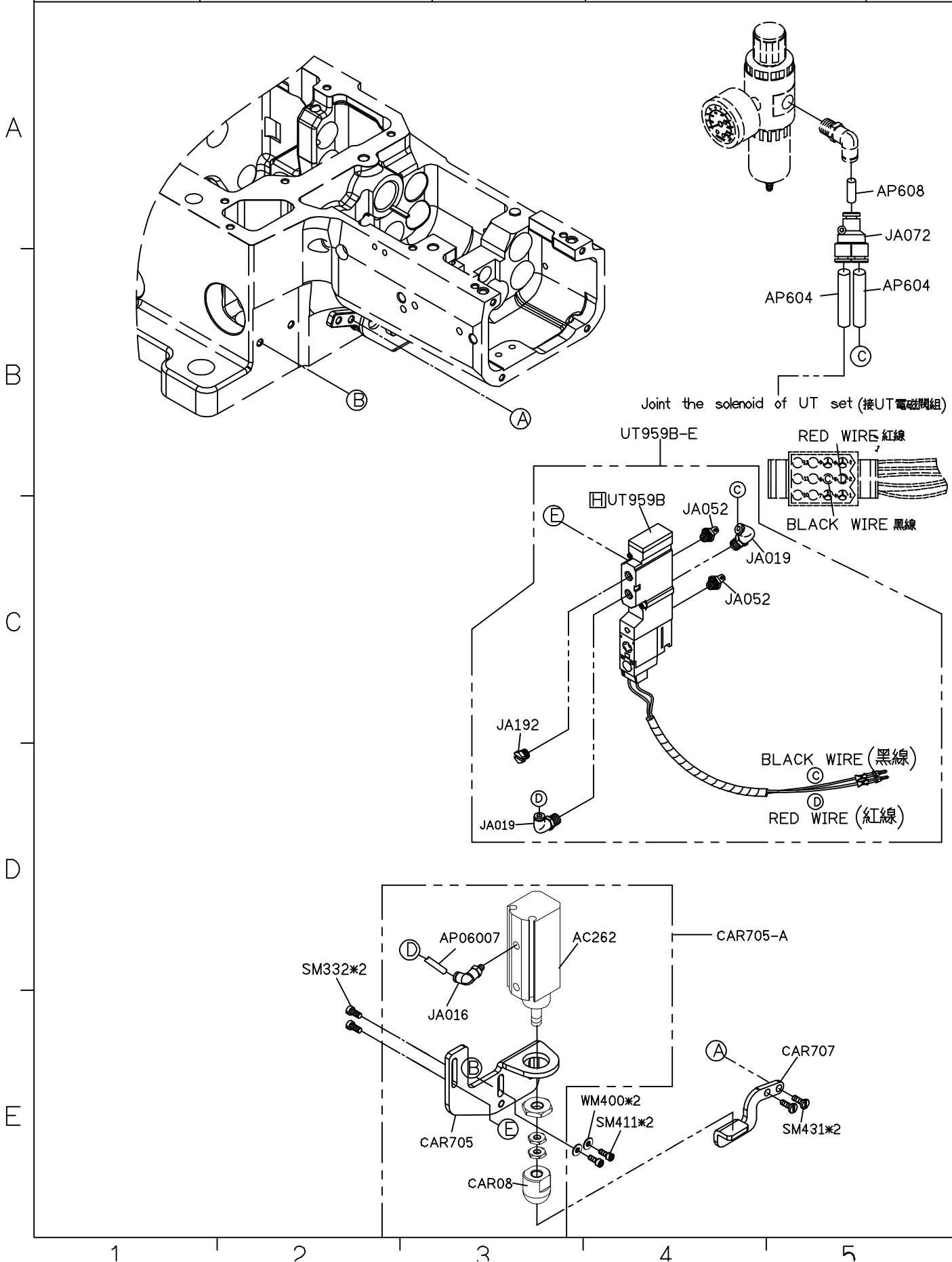


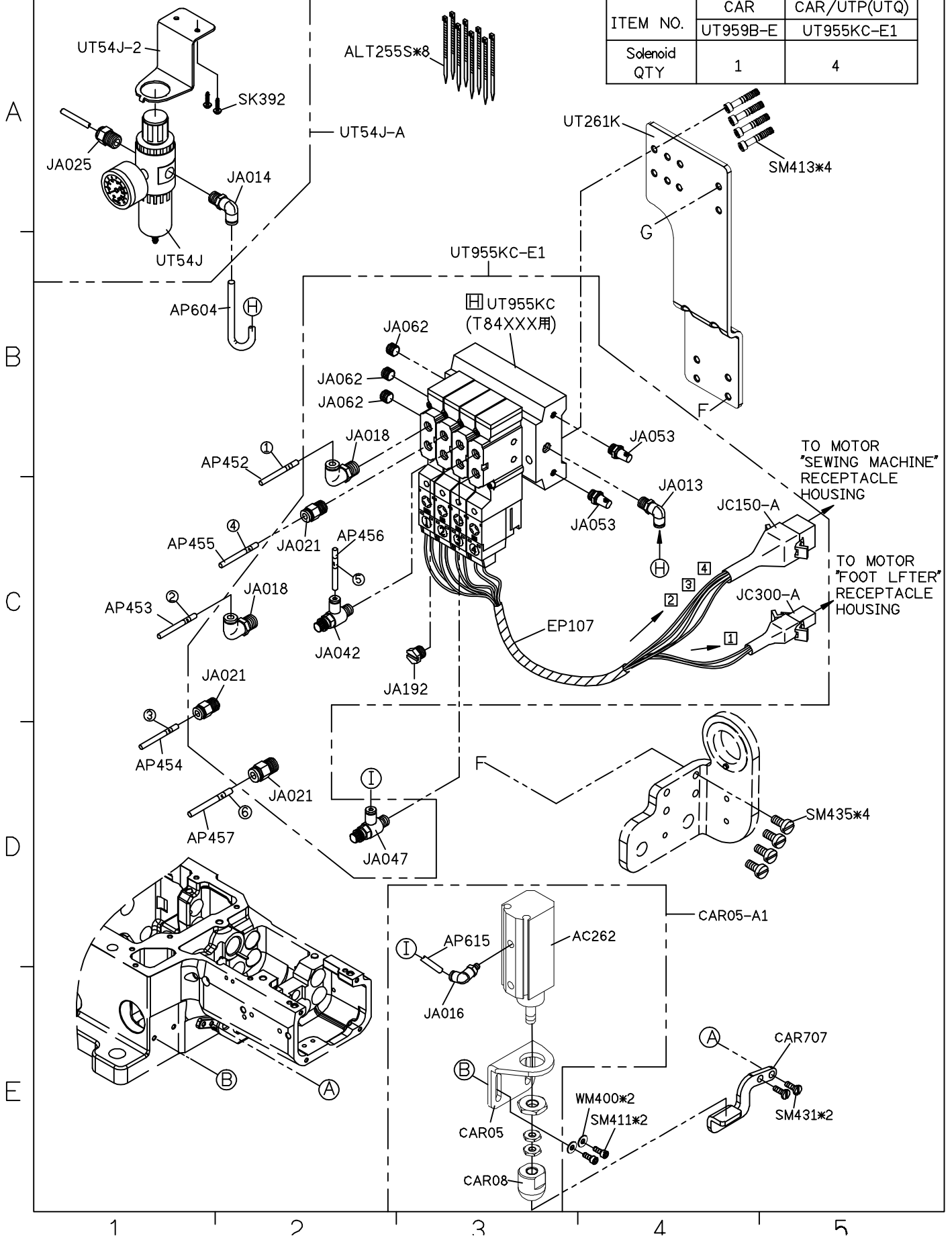
SIRUBA PARTS LIST	Series	Parts Group	Subclass / Remark	Page
	C007KP/ C007L/C007LX	CAF-K		1/1
				Date
				2023/7/10



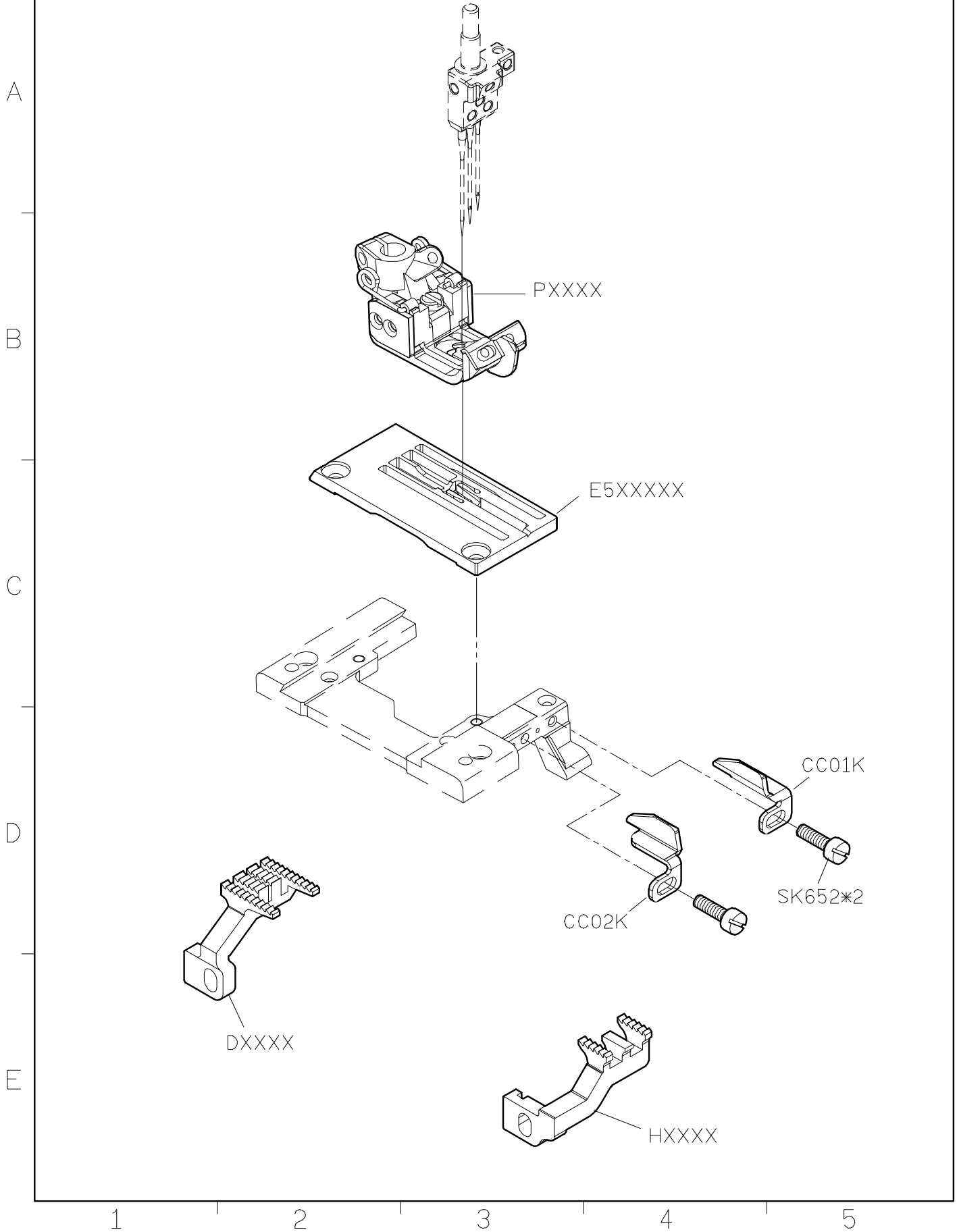
SIRUBA PARTS LIST	Series	Parts Group	Subclass Remark	Page
	C007L/C007LX	CAR-L	☐ : Use for H brand motor (HVP-20)	1/2
				Date
				2023/03/02



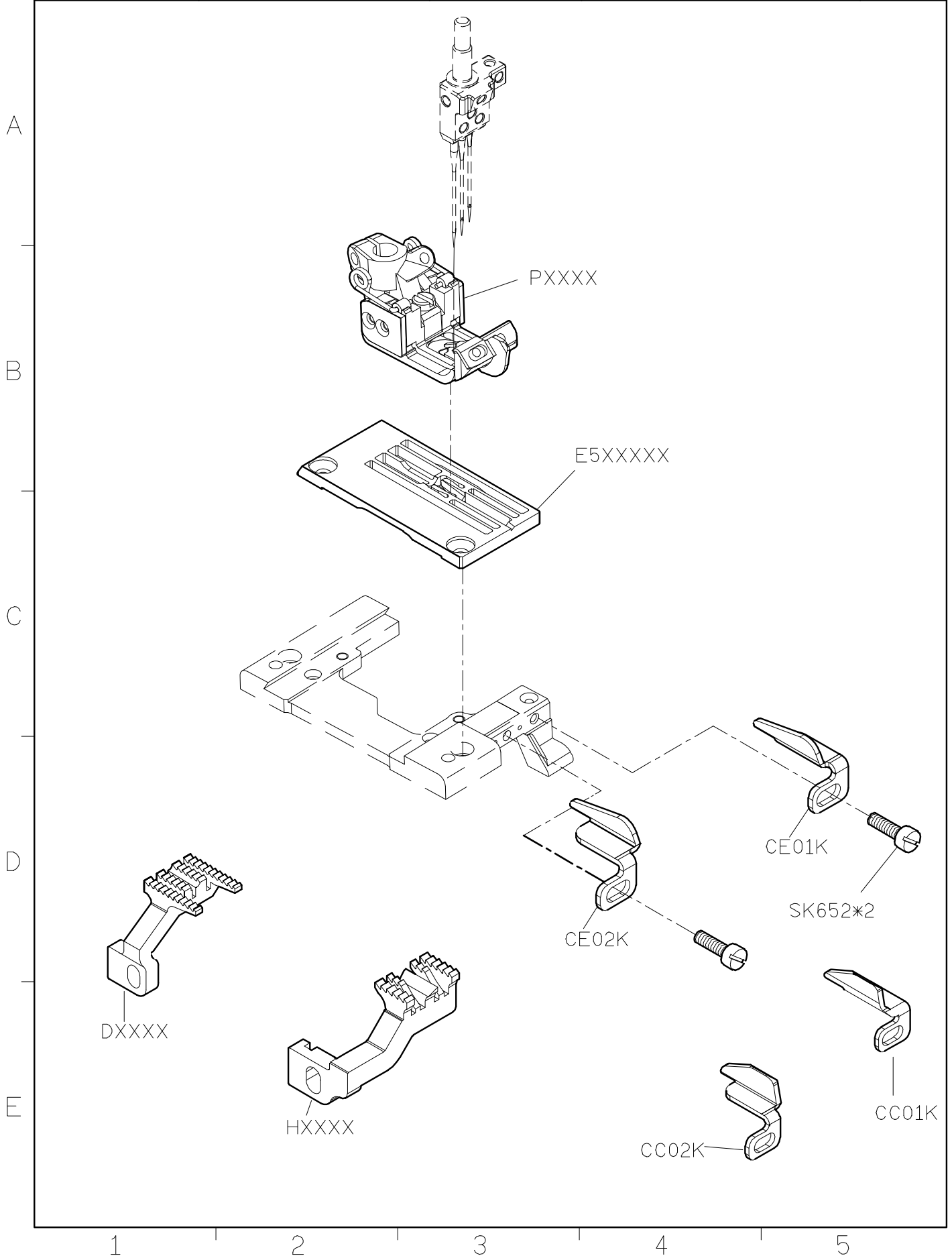
ITEM NO.	CAR	CAR/UTP(UTQ)
	UT959B-E	UT955KC-E1
Solenoid QTY	1	4



SiRUBA PARTS LIST	Series	Parts Group	Subclass / Remark	Page
	C007K/C007KD C007KP/C858K C007L/C007LX	CC-K		1/1
				Date
				2016/8/29

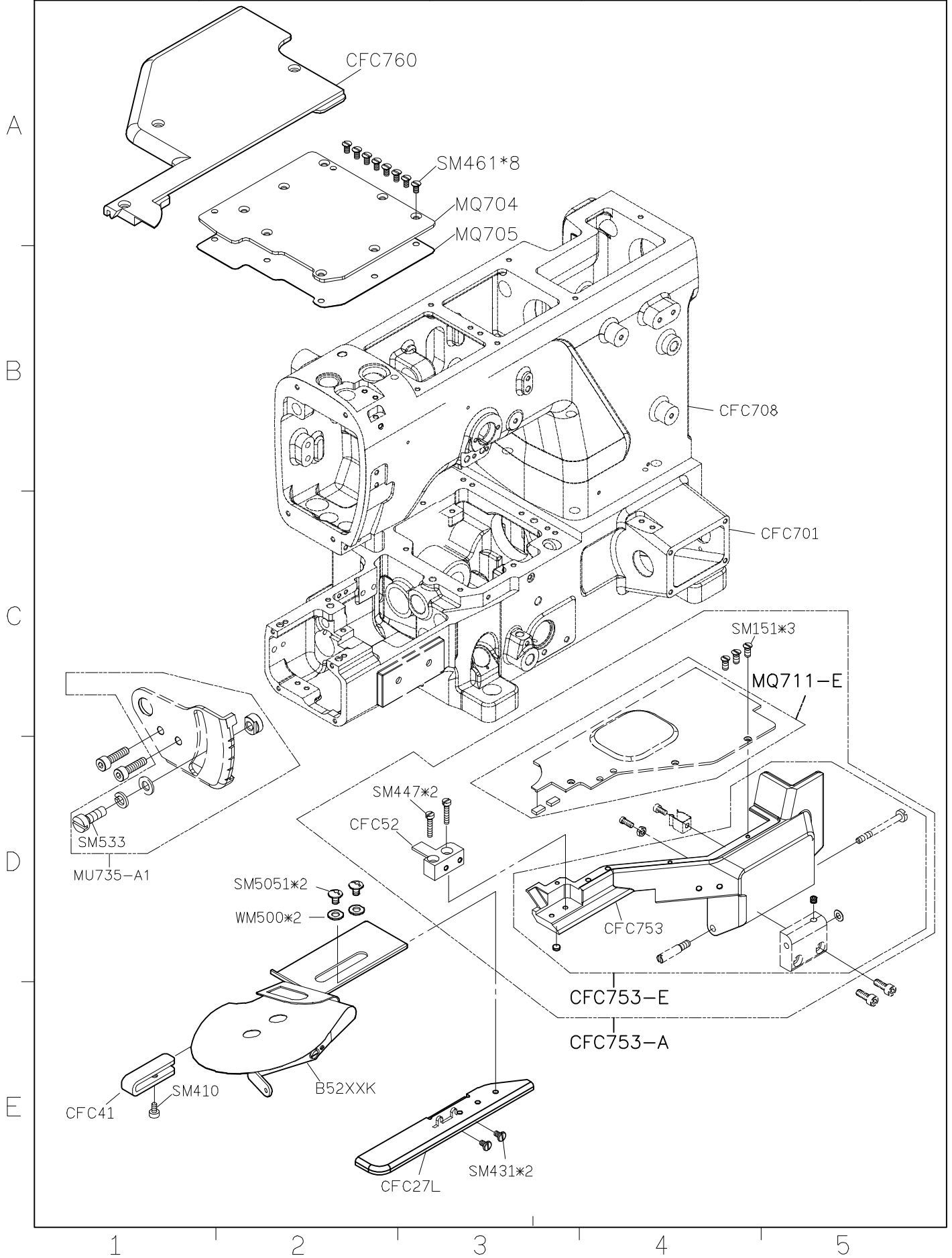


SIRUBA PARTS LIST	Series	Parts Group	Subclass / Remark	Page
	C007K/C007KD	CE-K		1/1
	C007KP/C858K			Date
	C007L/C007LX			2021/11/2





SIRUBA PARTS LIST	Series	Parts Group	Subclass / Remark	Page
	C007L/C007LX	CFC-L		2/6
				Date
				2023/12/20



SIRUBA PARTS LIST	Series	Parts Group	Subclass / Remark	Page
	C007L/C007LX	CFC-L		3/6
				Date
				2023/04/08

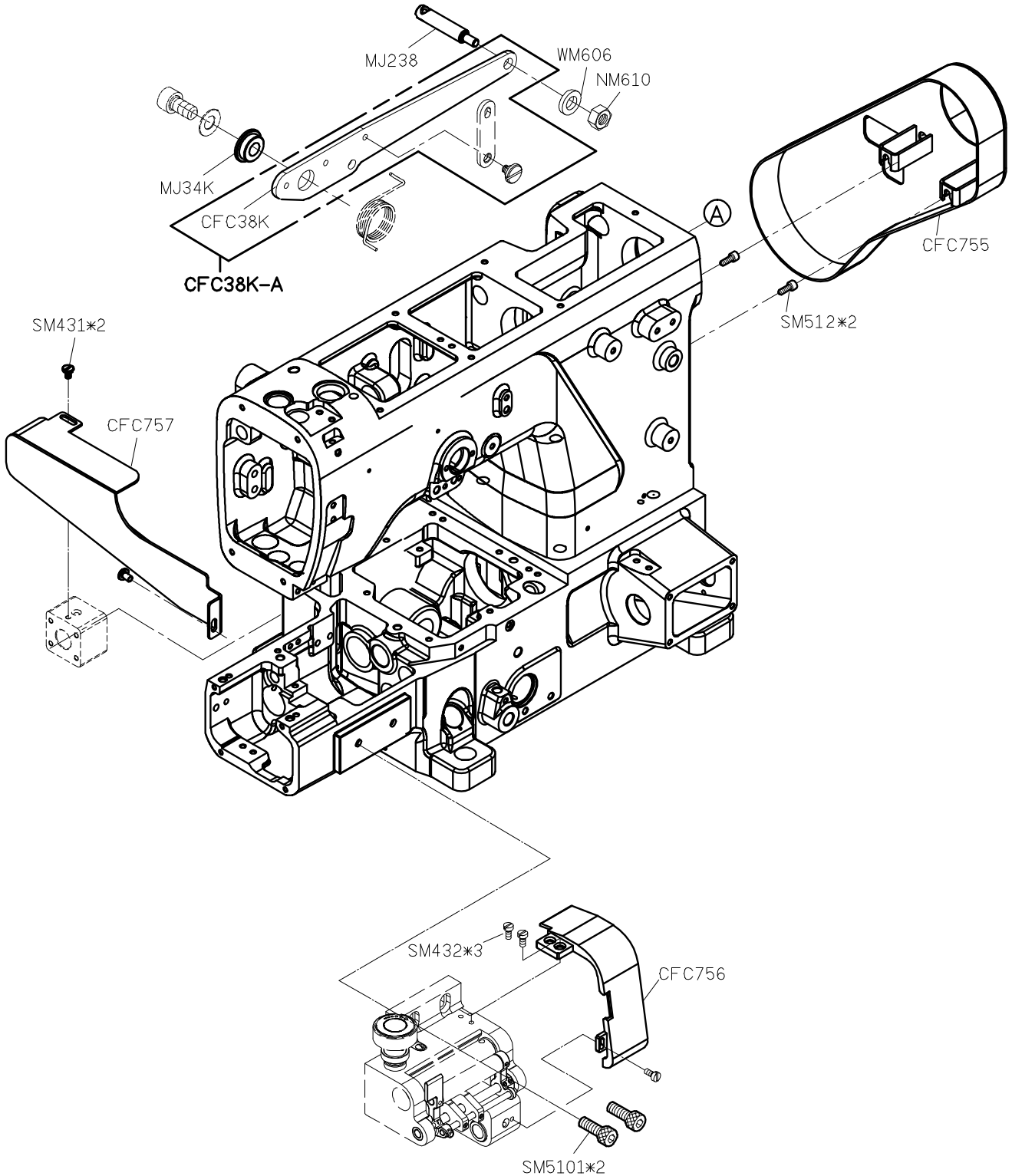
A

B

C

D

E



1

2

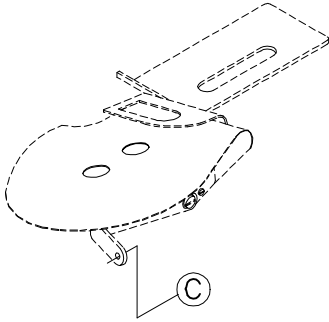
3

4

5

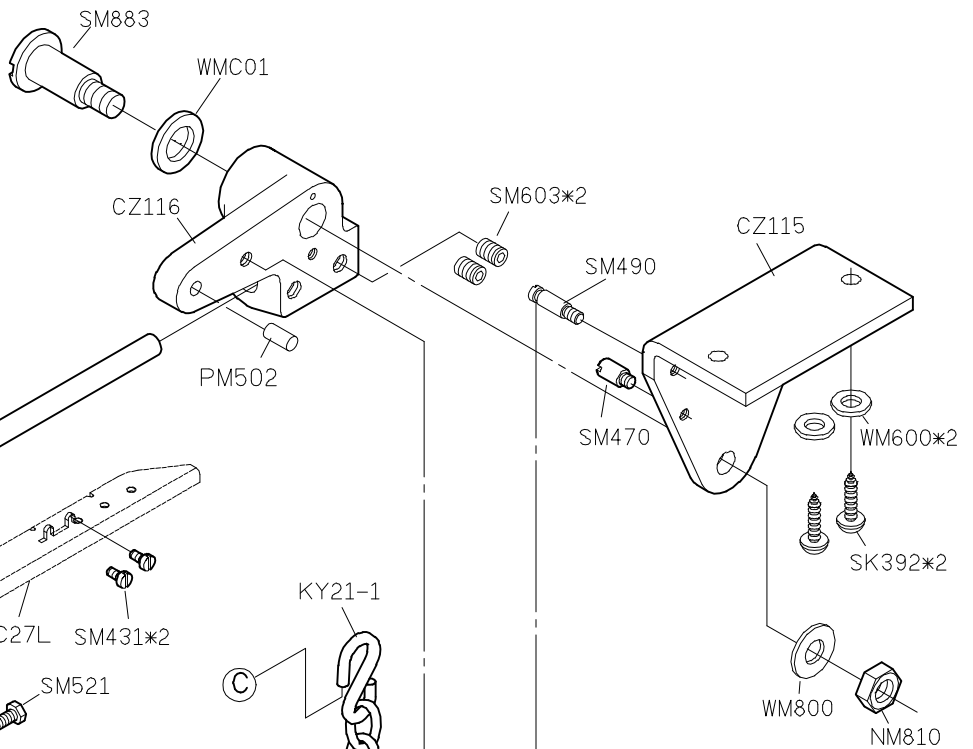
SIRUBA PARTS LIST	Series	Parts Group	Subclass / Remark	Page
	C007L/C007LX	CFC-L		4/6
				Date
				2023/06/08

A

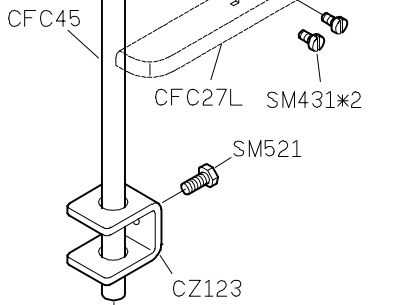


CFC45-A

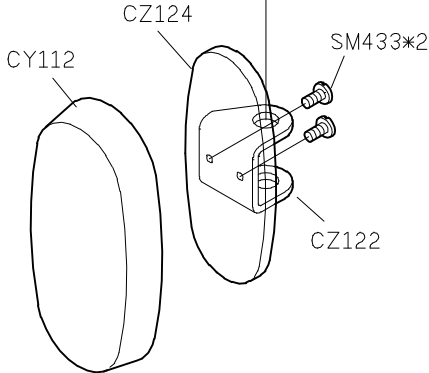
B



C



D



E

1

2

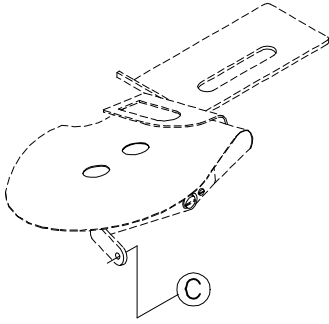
3

4

5

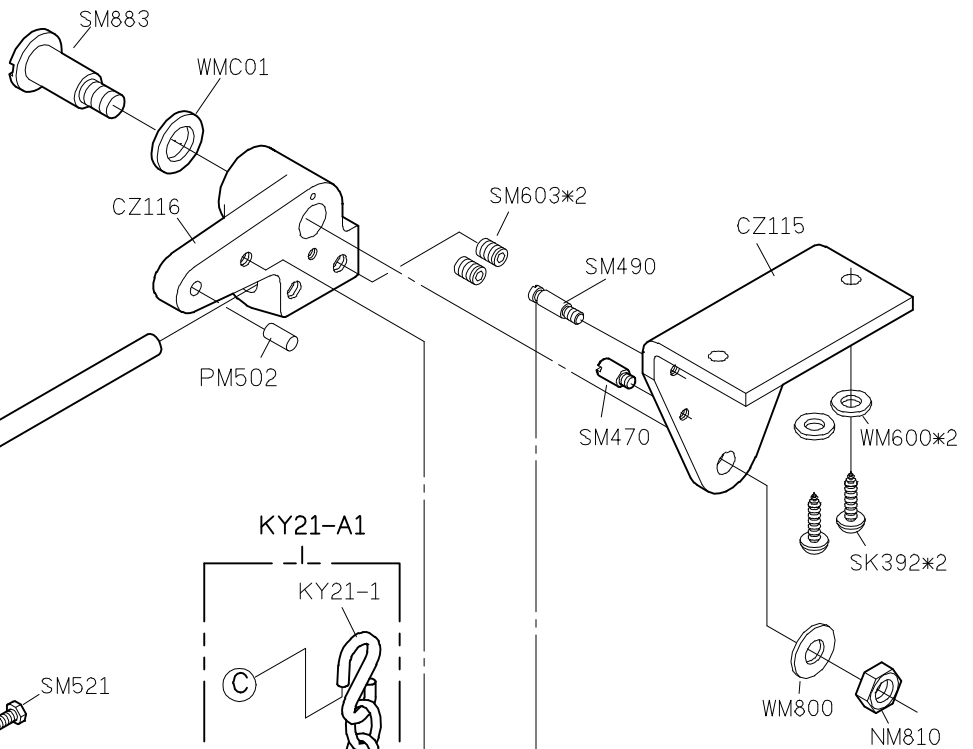
SIRUBA PARTS LIST	Series	Parts Group	Subclass / Remark	Page
	C007L/C007LX	CFC-L		4/6
				Date
				2023/12/20

A



CFC45-A

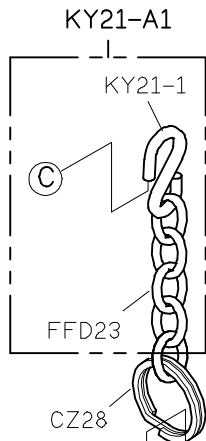
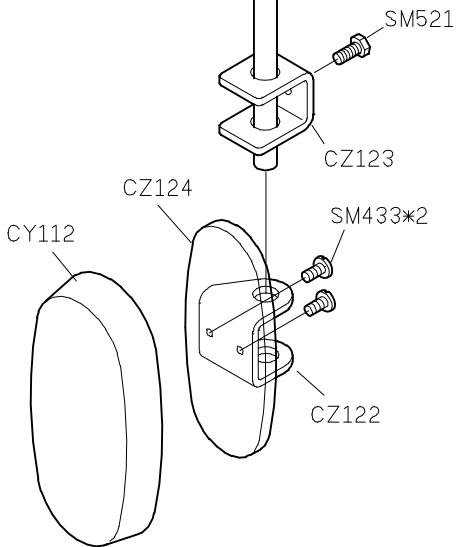
B



C

D

E



1

2

3

4

5

<b>SIRUBA</b>  PARTS LIST	<b>Series</b>	<b>Parts Group</b>	<b>Subclass / Remark</b>	<b>Page</b>
	C007L/C007LX	CFC-L	For Direct-Drive Motor (H牌)	5/6
				Date
				2023/06/08

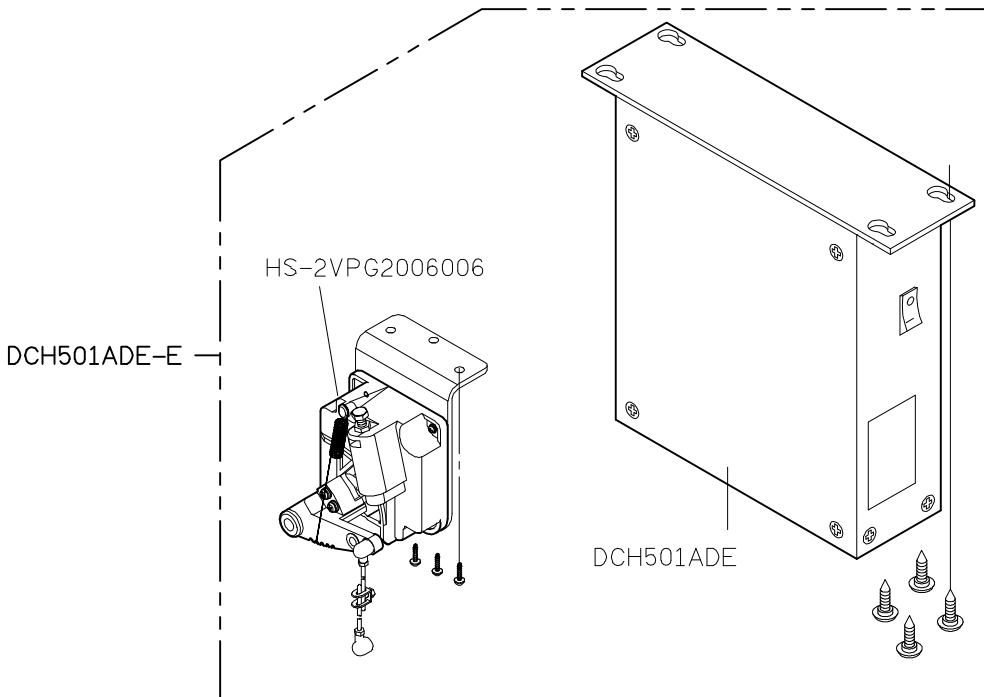
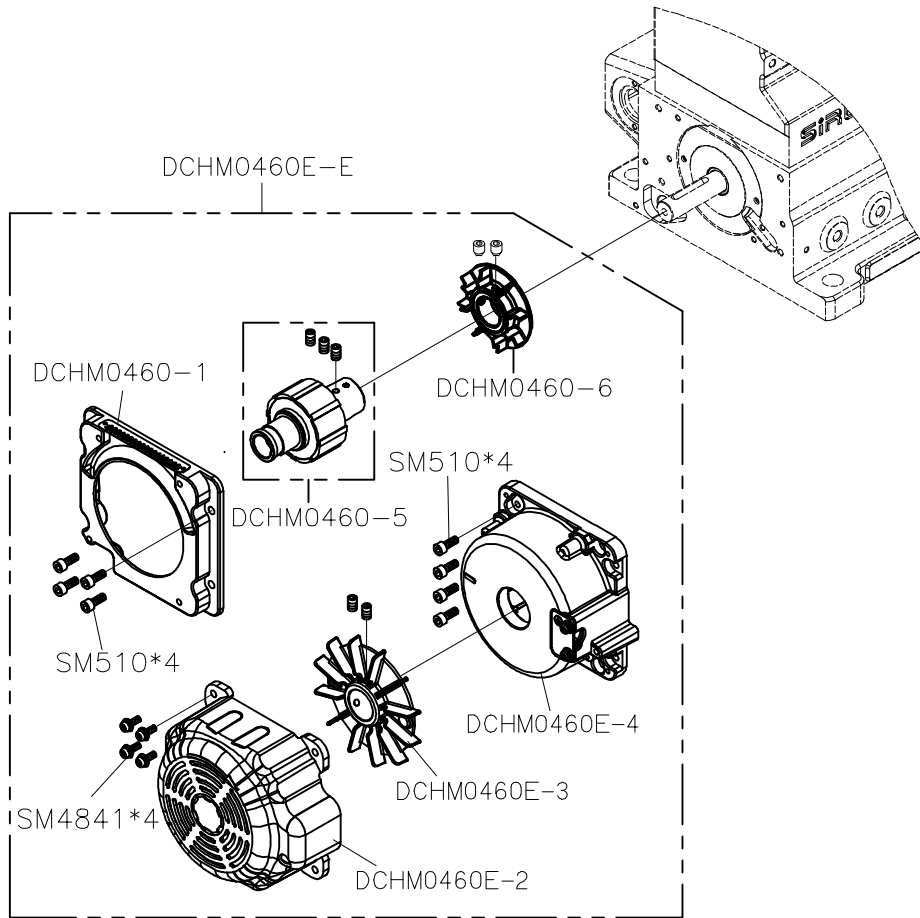
A

B

C

D

E



1

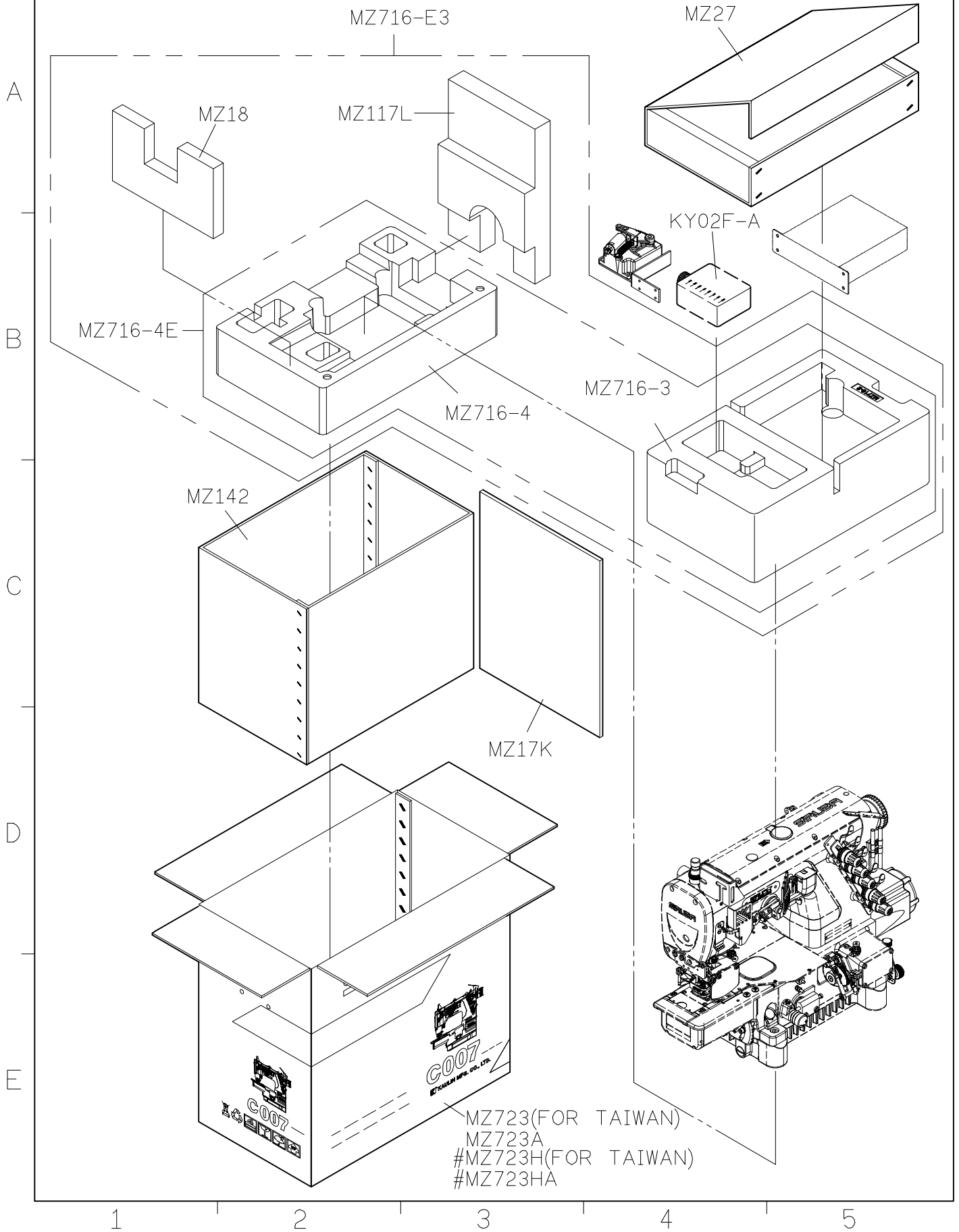
2

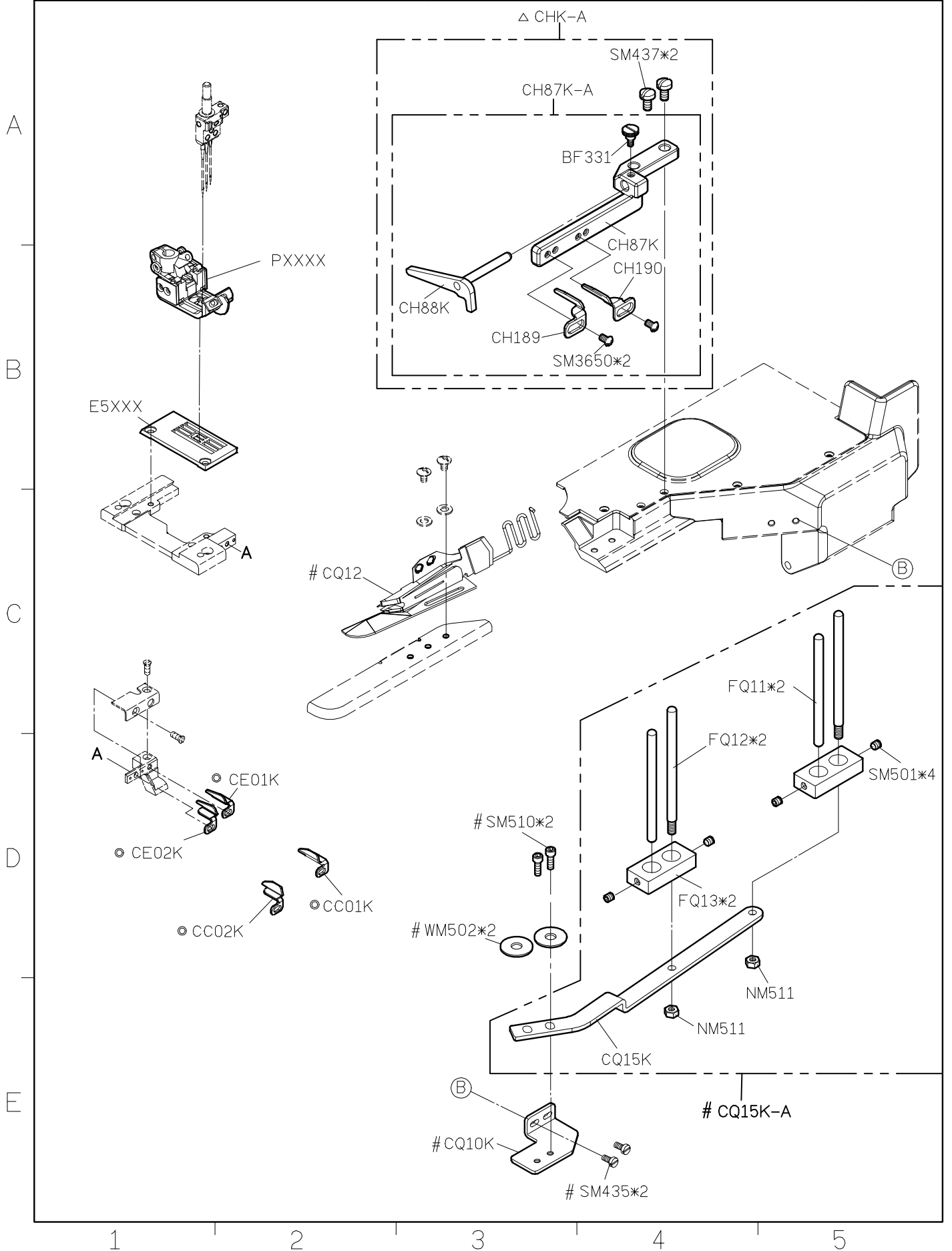
3

4

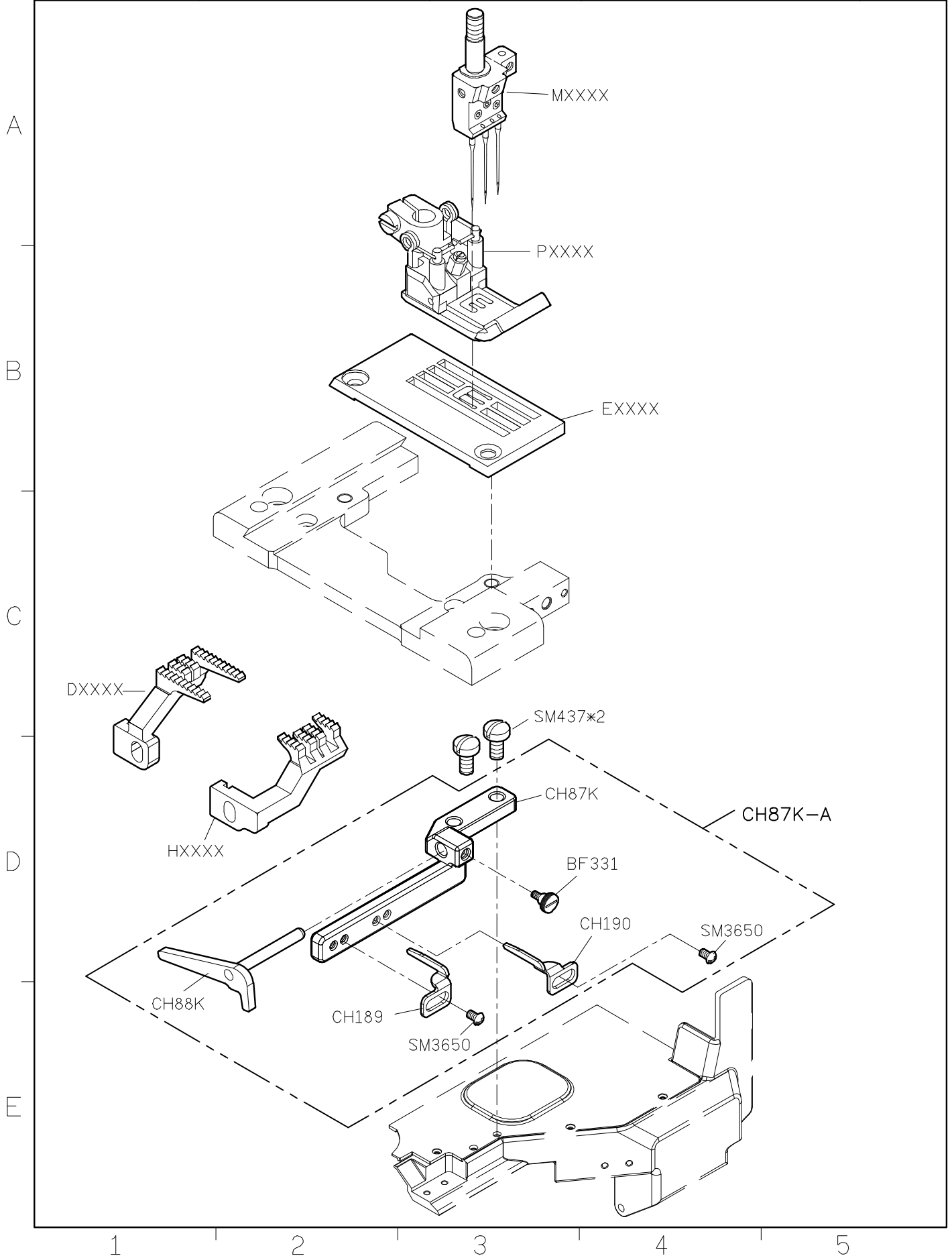
5

SIRUBA PARTS LIST	Series	Parts Group	Subclass / Remark	Page
	C007L/C007LX	CFC-L	Use for Drive Motor #:For C007LX	6/6
				Date
				2023/06/08

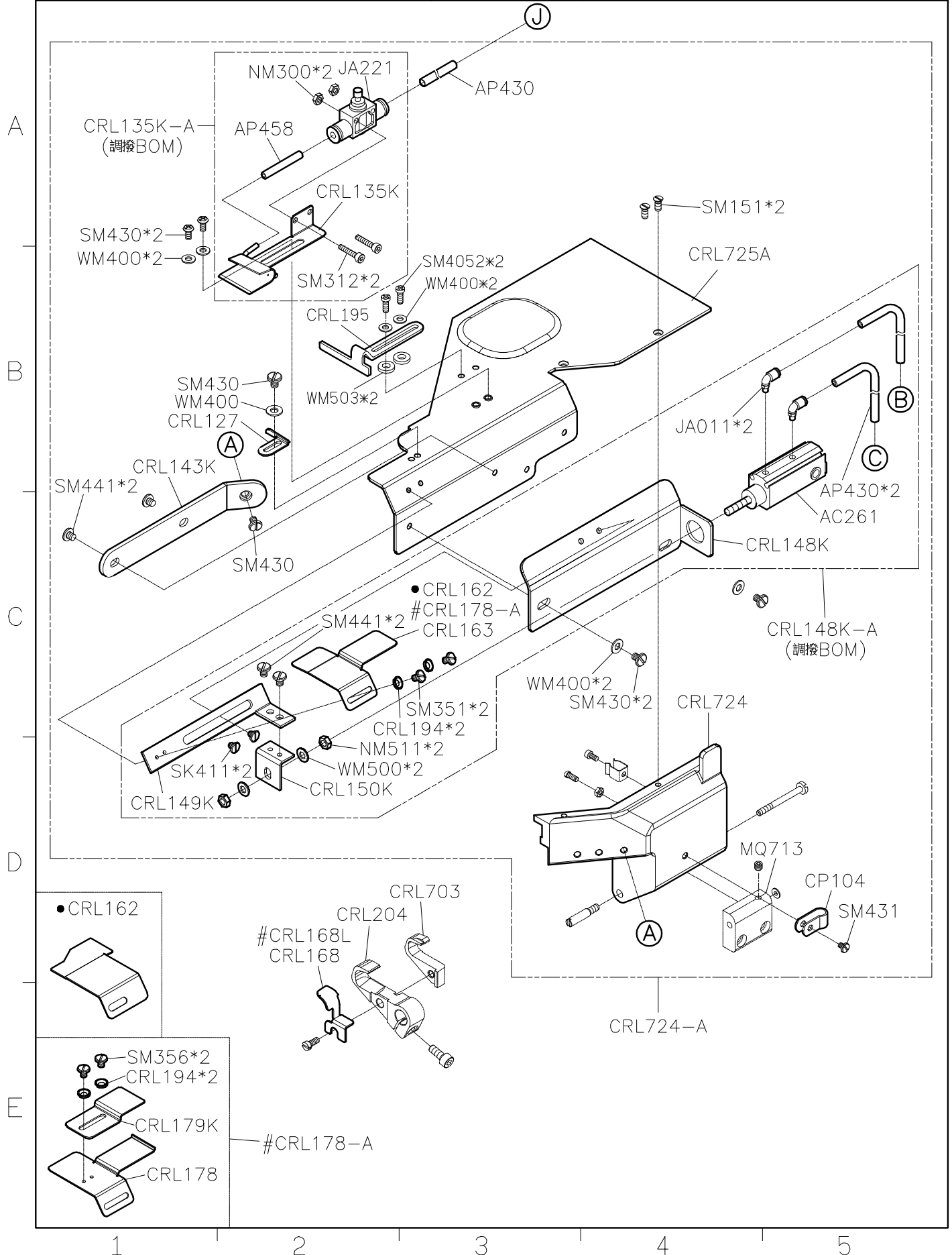




SiRUBA PARTS LIST	Series	Parts Group	Subclass / Remark	Page
	C007K/C007KD C858K/C007KP C007L/C007LX	CH-K		1/1
				Date
				2018/4/18



SIRUBA PARTS LIST	Series	Parts Group	Subclass / Remark	Page
	C007L C007LX	CHP(CY) UTP-L	Note: Type CHP is collocated with UTP ● : Use for general machine to re-equip #: Use for CY to re-equip	1/2
				Date 2022/1/20



**SIRUBA**

PARTS LIST

Series

C007L/C007LX

Parts Group

CHP(CY)  
/UTP-L

Subclass / Remark

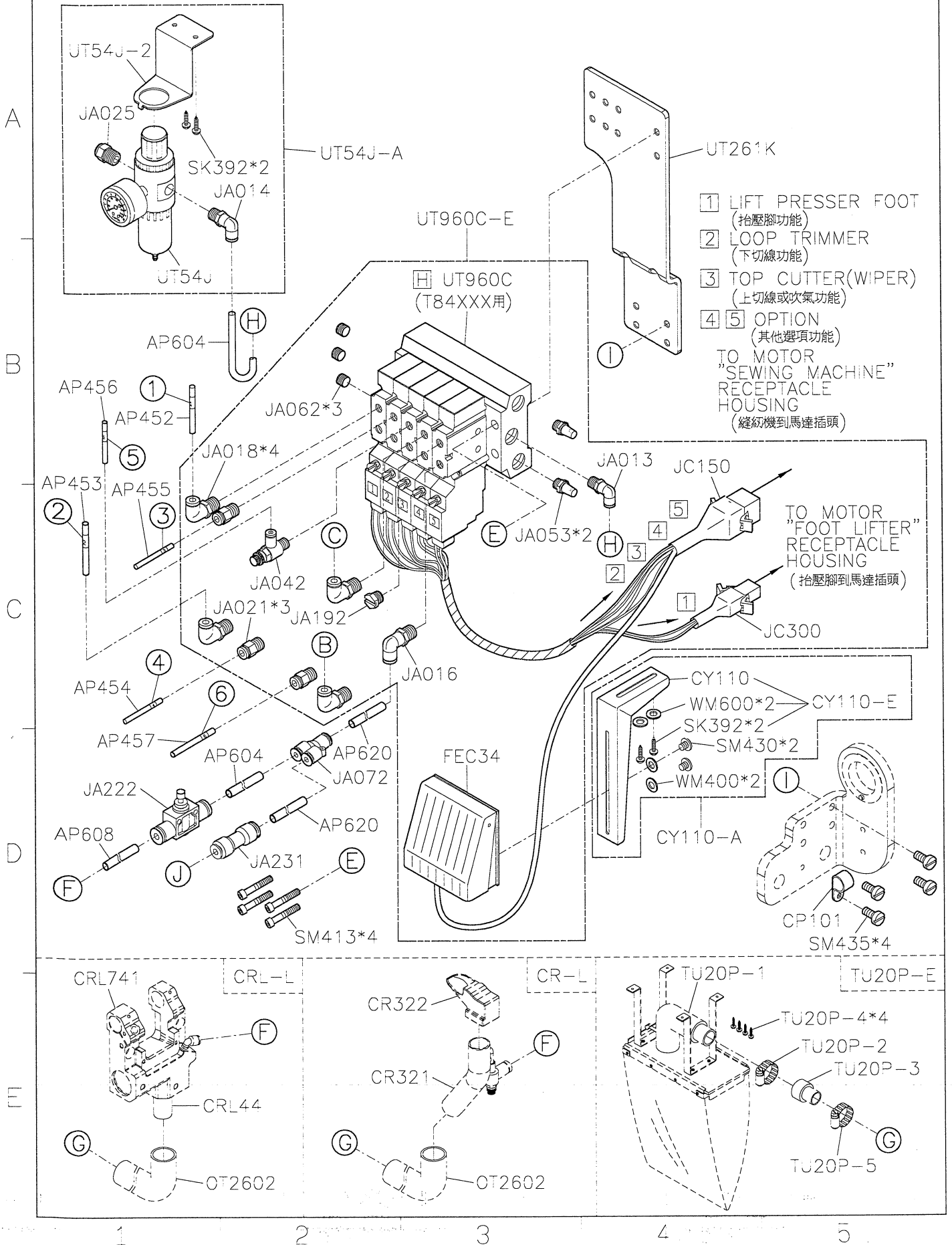
☐: Use for H brand motor  
(HVP-20)

Page

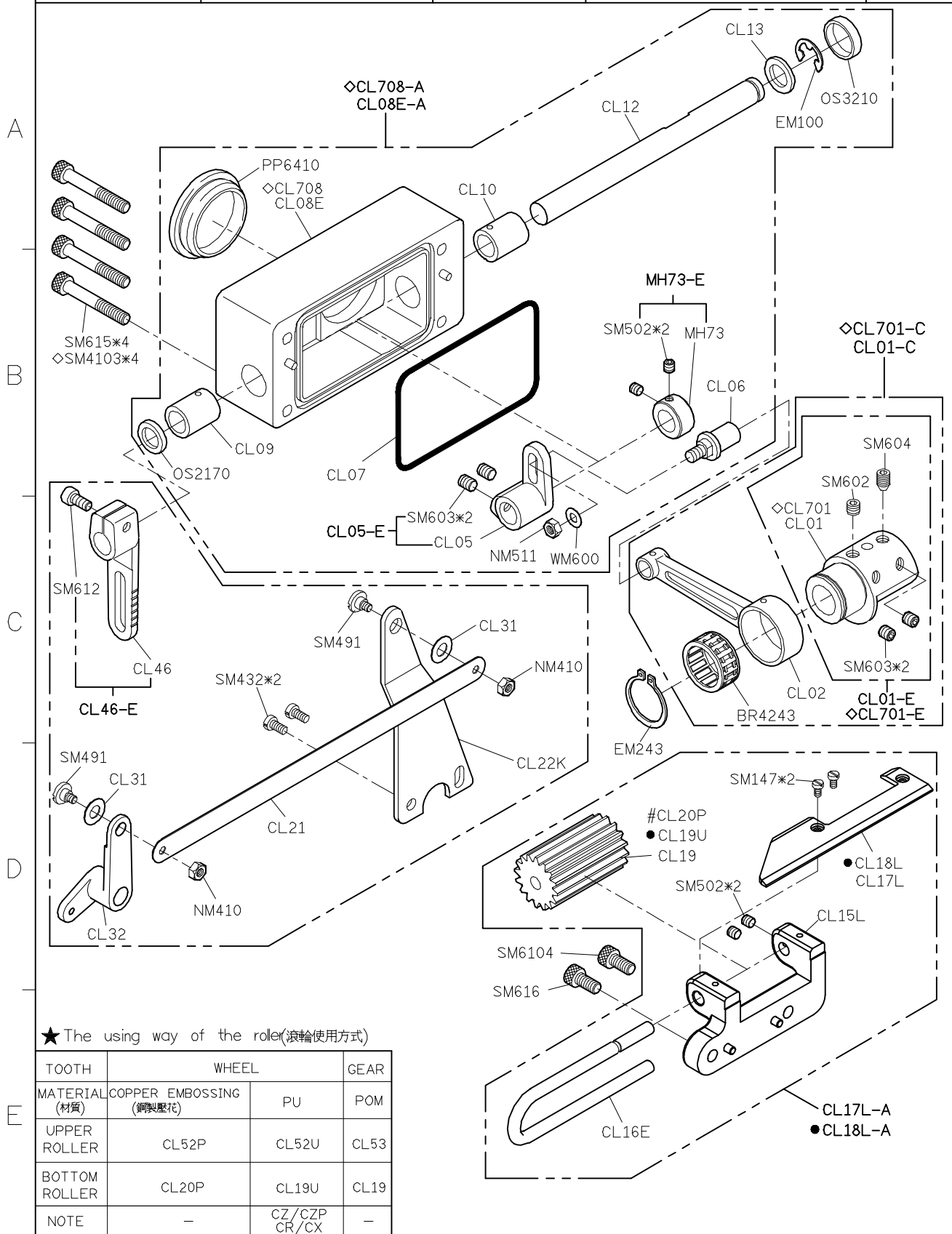
2/2

Date

2016/10/17



<b>SIRUBA</b> <b>PARTS LIST</b>	<b>Series</b>	<b>Parts Group</b>	<b>Subclass / Remark</b>	<b>Page</b>
	<b>C007L/C007Lx</b>	<b>CL</b>	● : Use for CLA ◇ : Use for C007L/C007Lx-CL/CLA # : Use for allocation	1/2
	<b>C007KP</b>	<b>CLA</b>		<b>Date</b>
				2024/08/02



★ The using way of the roller(滾輪使用方式)

	WHEEL		GEAR
MATERIAL (材質)	COPPER EMBOSING (銅製壓花)	PU	POM
UPPER ROLLER	CL52P	CL52U	CL53
BOTTOM ROLLER	CL20P	CL19U	CL19
NOTE	-	CZ/CZP CR/CX	-

1

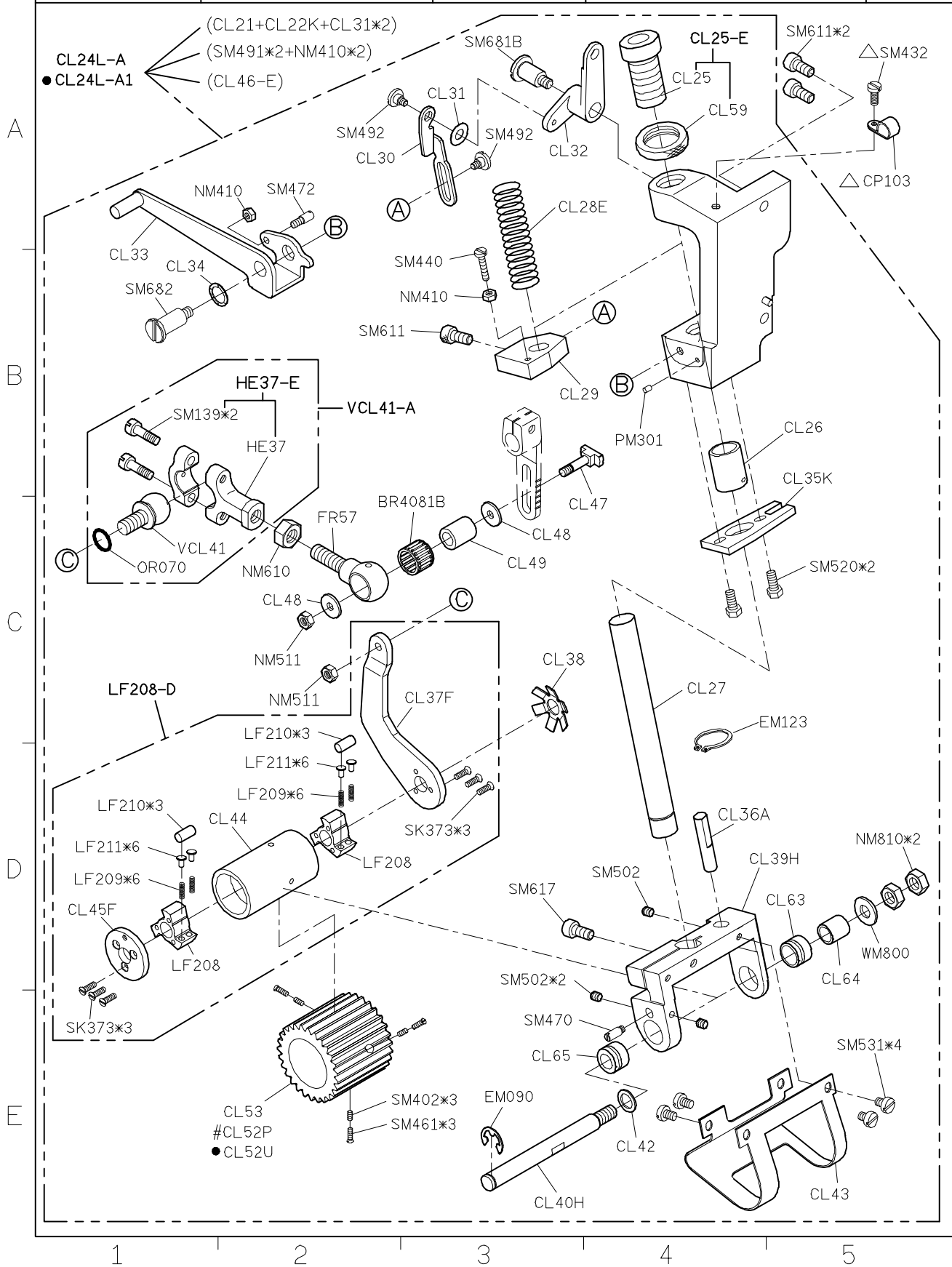
2

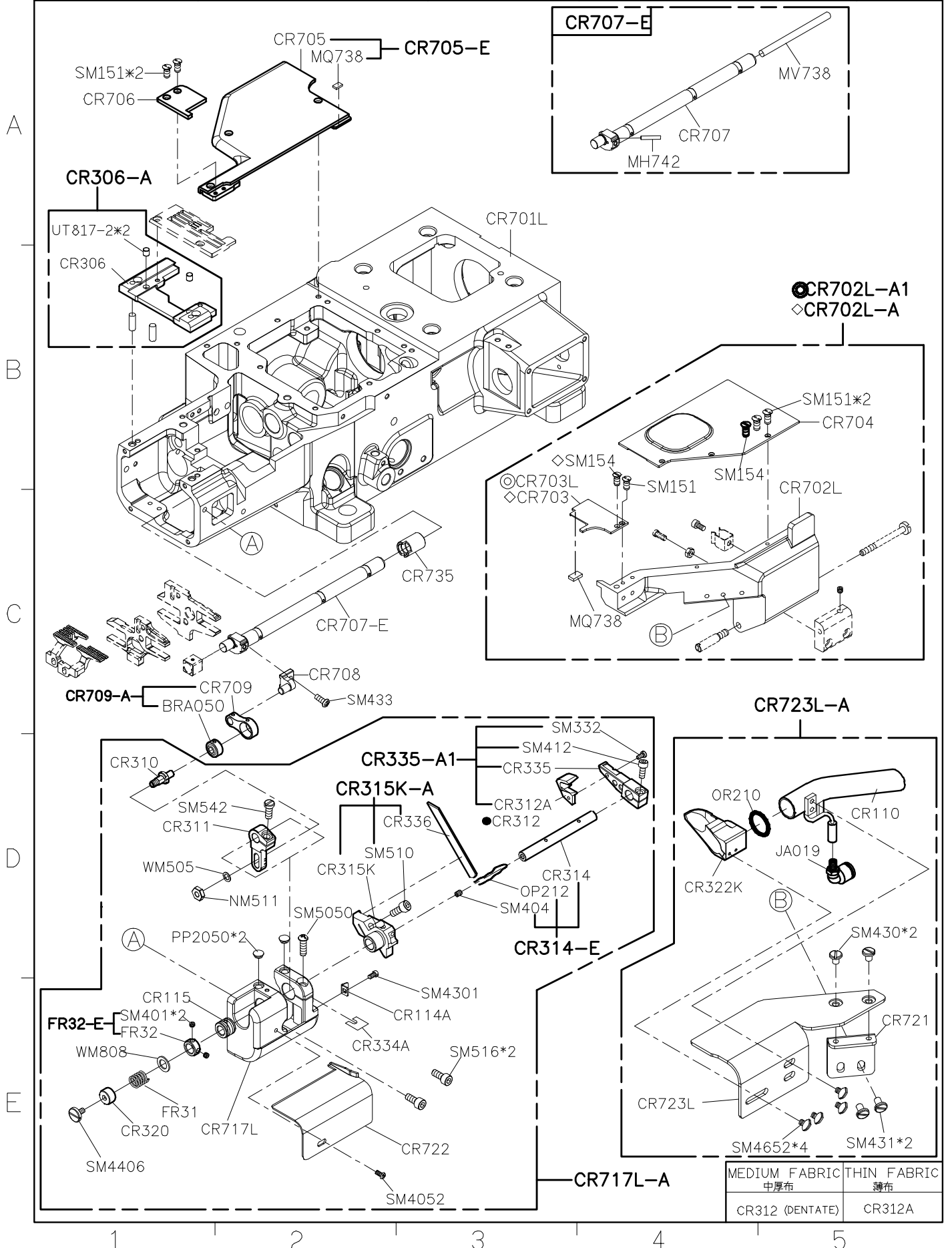
3

4

5

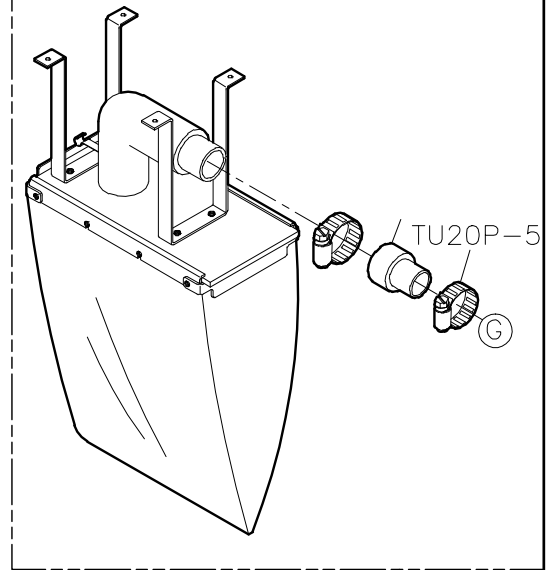
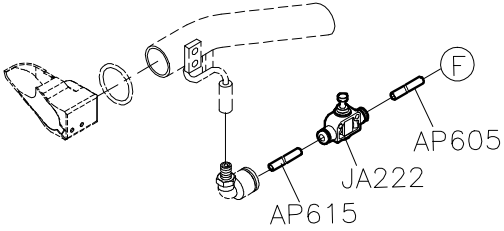
<b>SIRUBA</b> <b>PARTS LIST</b>	<b>Series</b>	<b>Parts Group</b>	<b>Subclass / Remark</b>	<b>Page</b>
	<b>C007L/C007Lx</b>	<b>CL</b>	● : Use for CLA	2/2
	<b>C007KP</b>	<b>CLA</b>	△ : Use for UTP/UTQ	Date
			# : Use for allocation	2024/08/02





SIRUBA PARTS LIST	Series	Parts Group	Subclass / Remark	Page
	C007L/C007LX	CR-L	# : UTP/UTQ is not collocatcc with	2/3
				Date
				2024/1/3

A

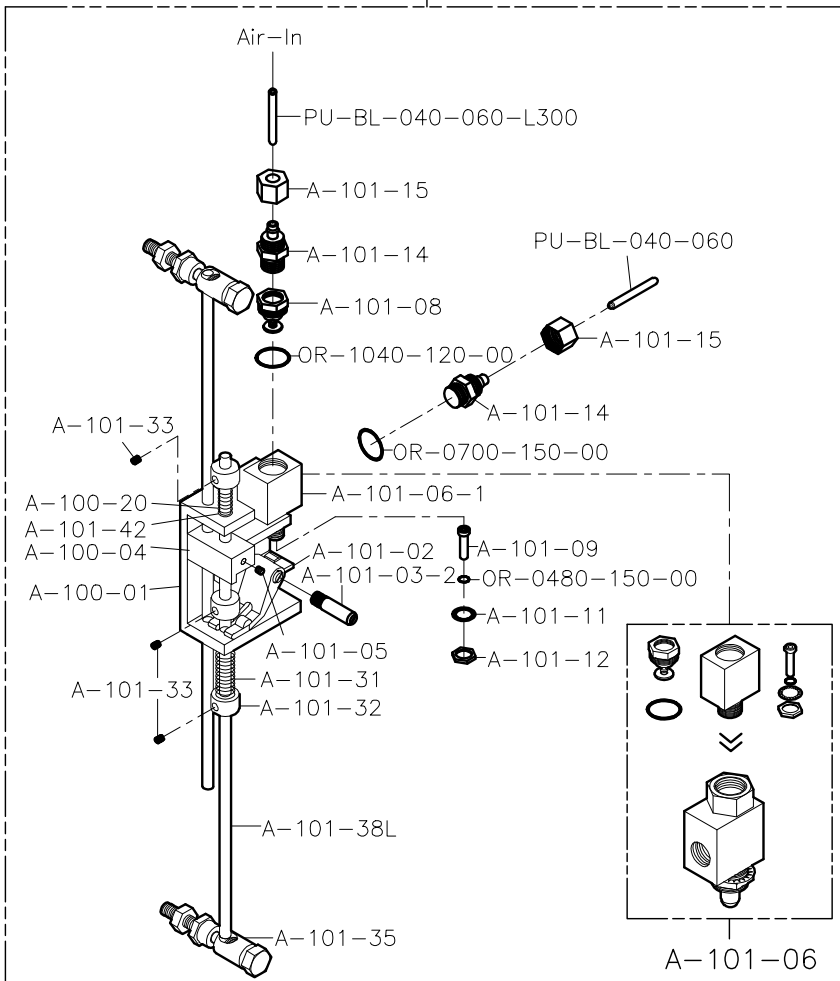


B

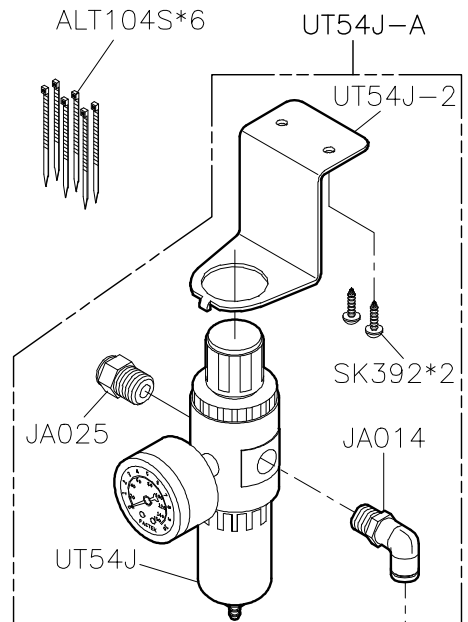
\*A-100ST-E

TU20P-E

C



D



E

1

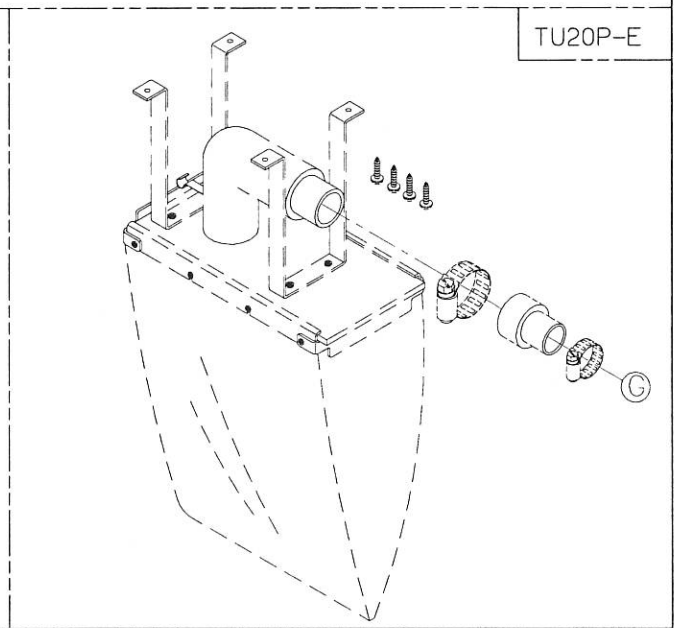
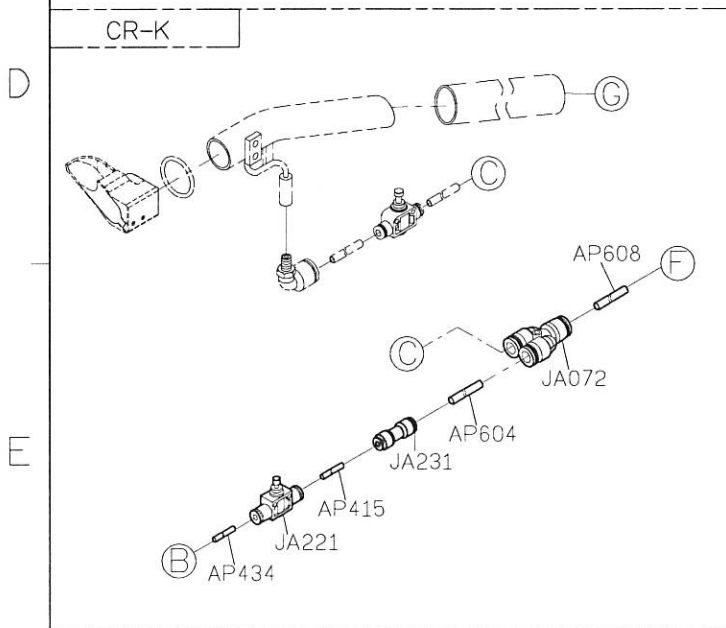
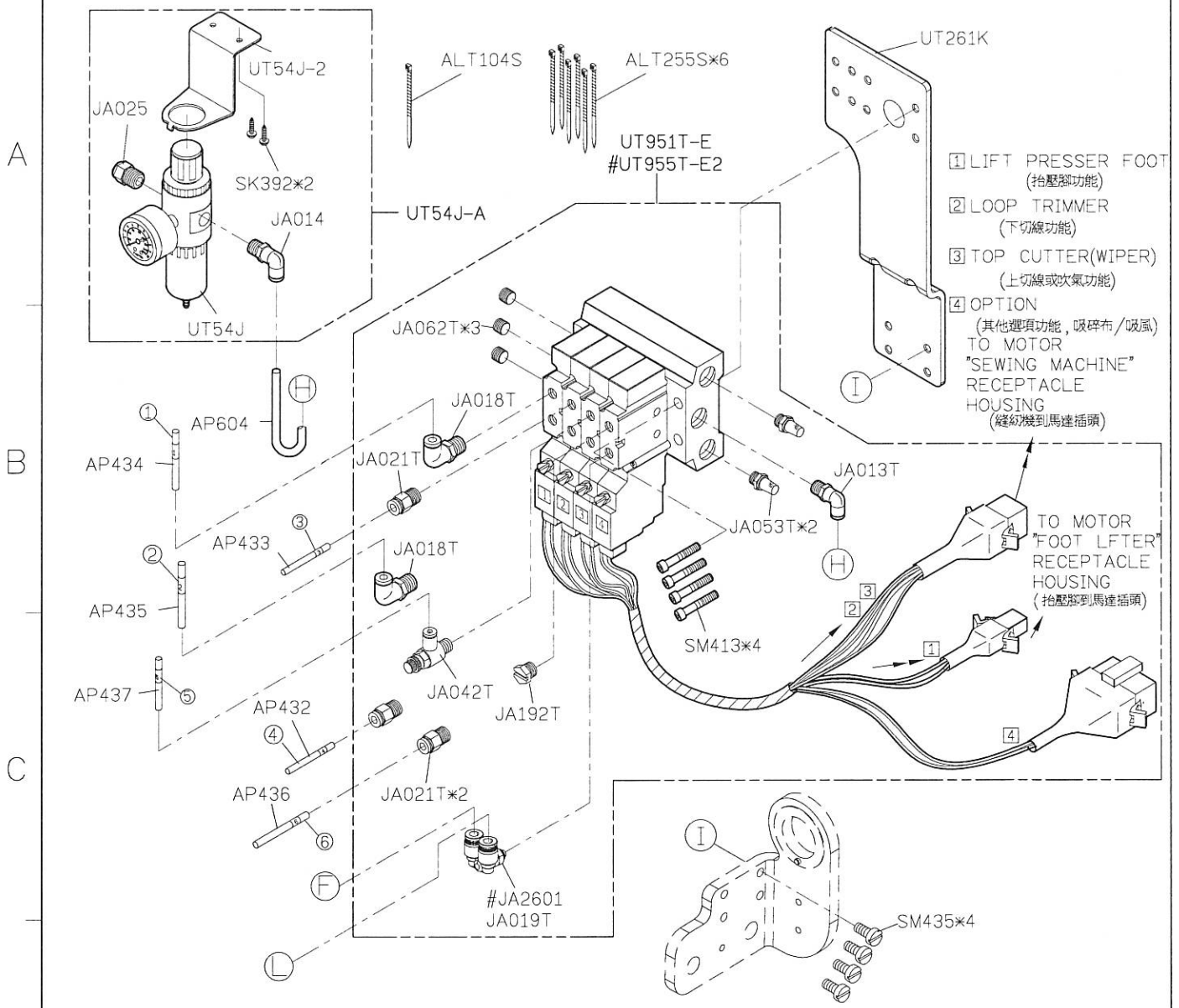
2

3

4

5

SIRUBA PARTS LIST	Series	Parts Group	Subclass / Remark	Page
	C007L/C007LX	CR-L	i70M.i60S	3/3
			# : 1.DCT101ADE-E 2.Use for C007L-CR(CX)	Date
				2023/4/17



**SIRUBA**

PARTS LIST

Series

C007L/C007LX

Parts Group

**CRL-L**

Subclass / Remark

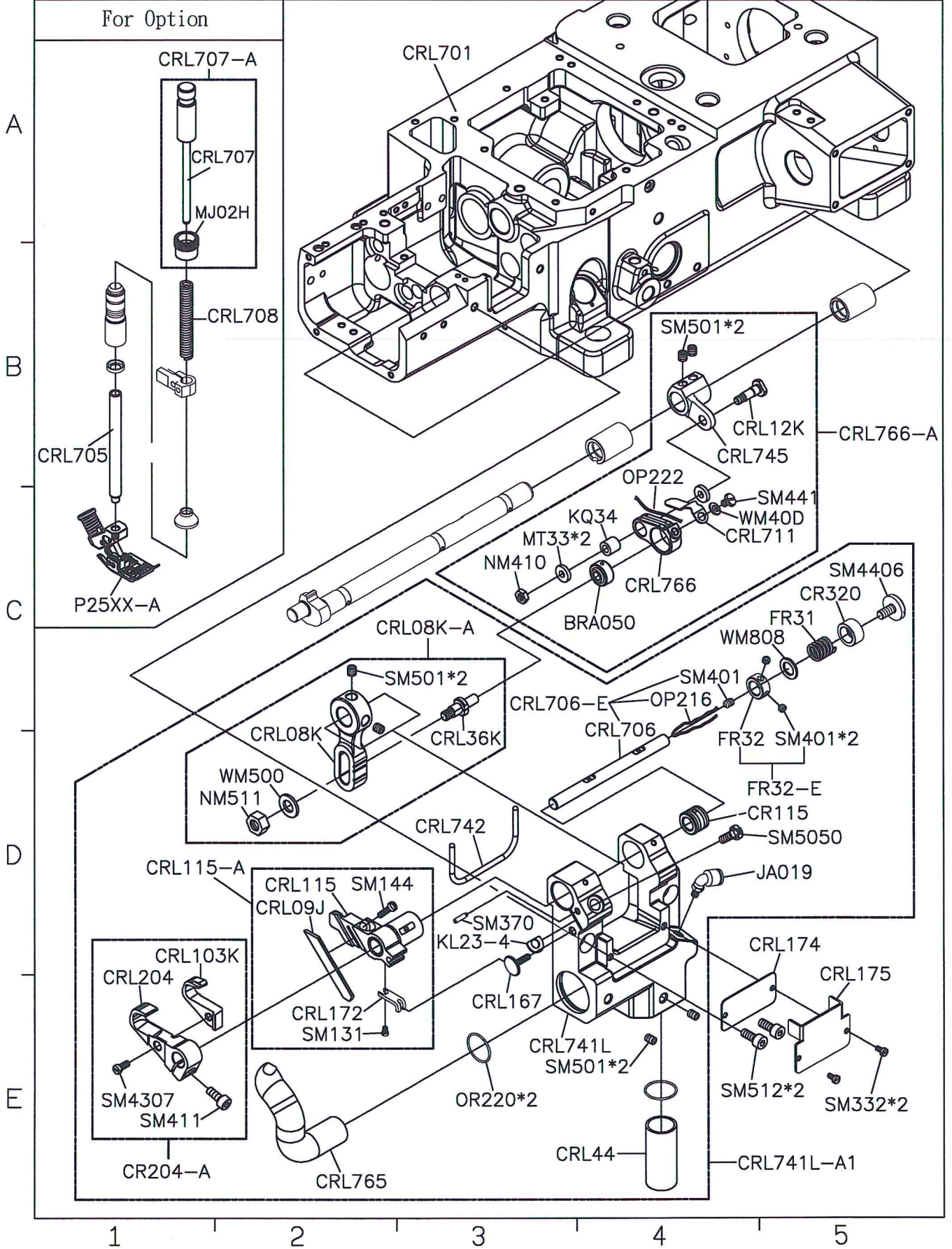
#: Use for attached in the accessory case of thin fabric

Page

1/4

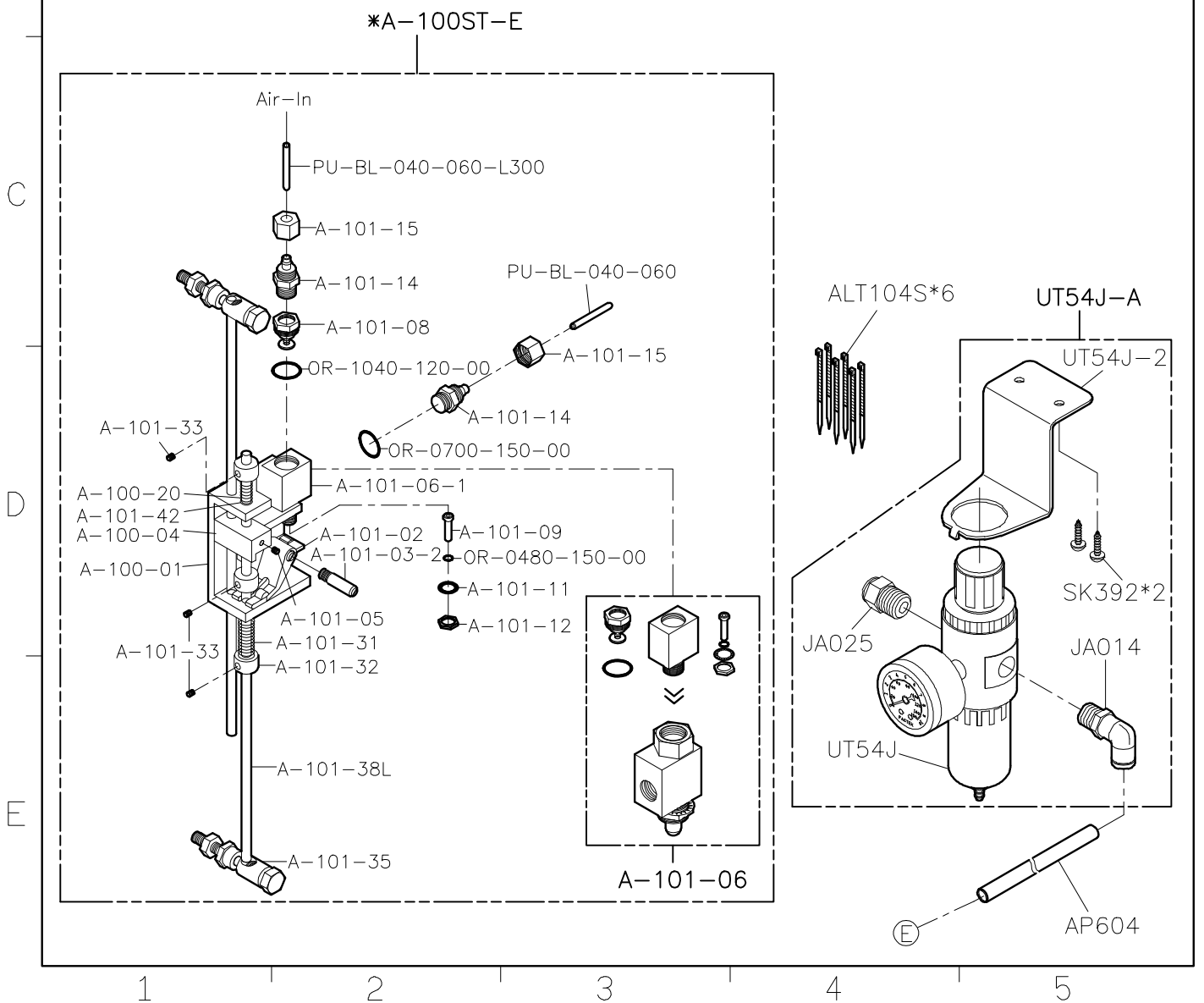
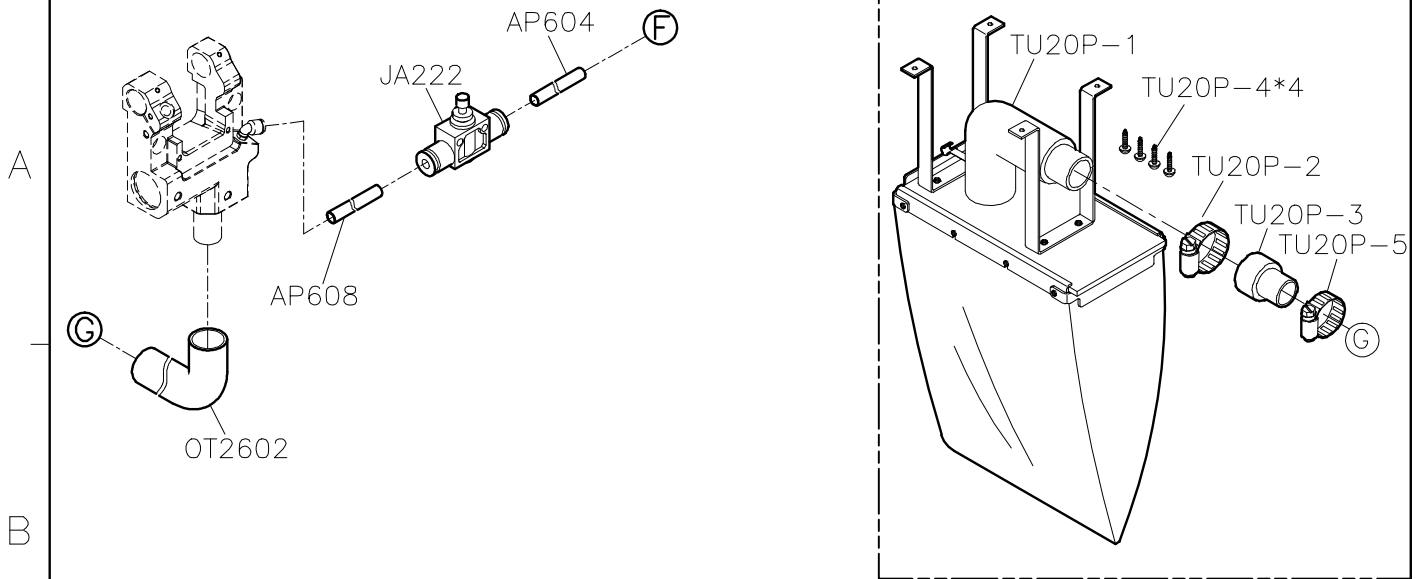
Date

2023/08/16





SIRUBA PARTS LIST	Series	Parts Group	Subclass / Remark	Page
	C007L/C007LX	CRL-L	* : UTP/UTQ is not collocatec with	3/4
				Date
				2021/6/24



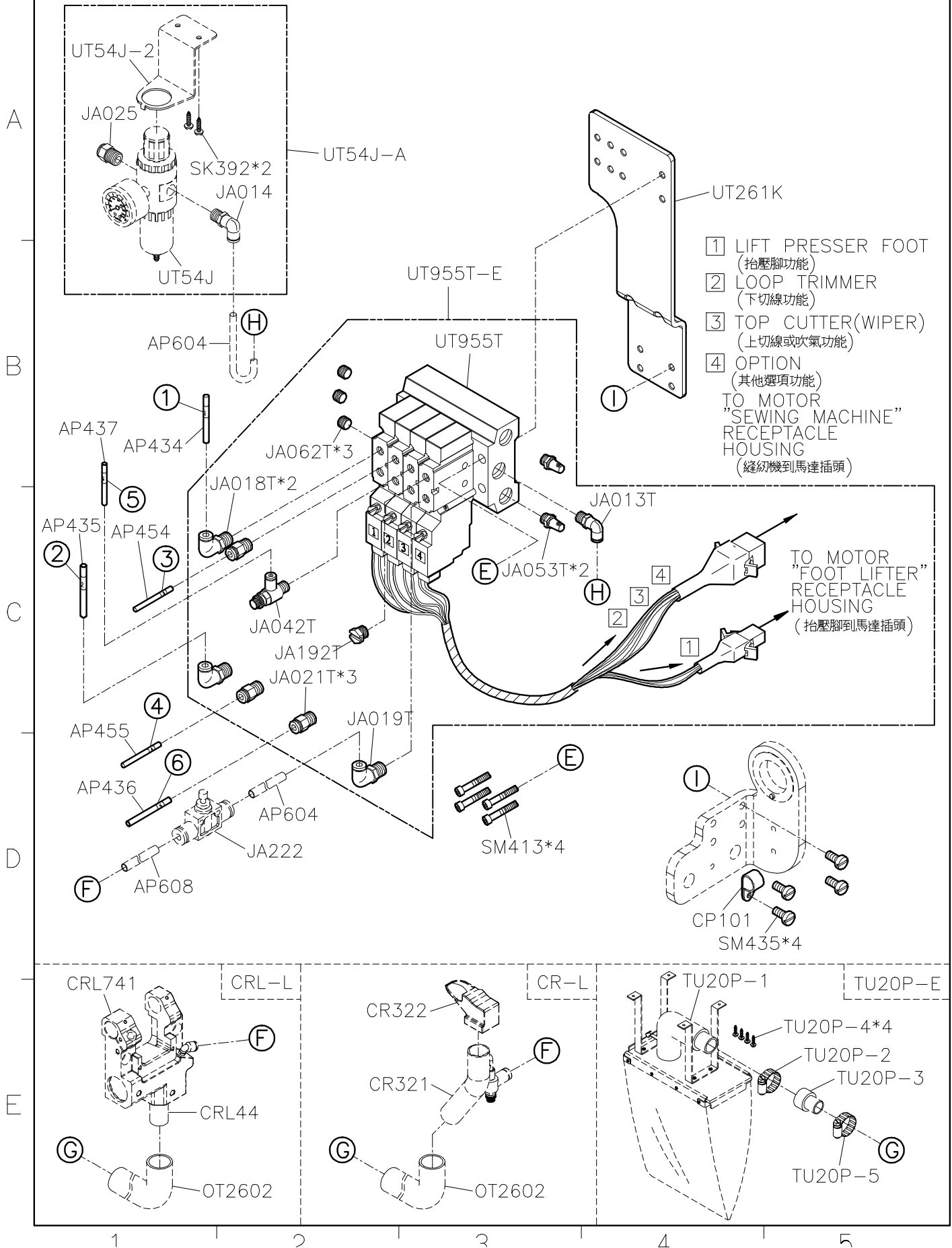
1

2

3

4

5



SIRUBA PARTS LIST	Series	Parts Group	Subclass / Remark	Page
	C007K/C007KD	CW-K		1/4
	C007KP/C858K			Date
	C007L/C007LX			2021/1/28

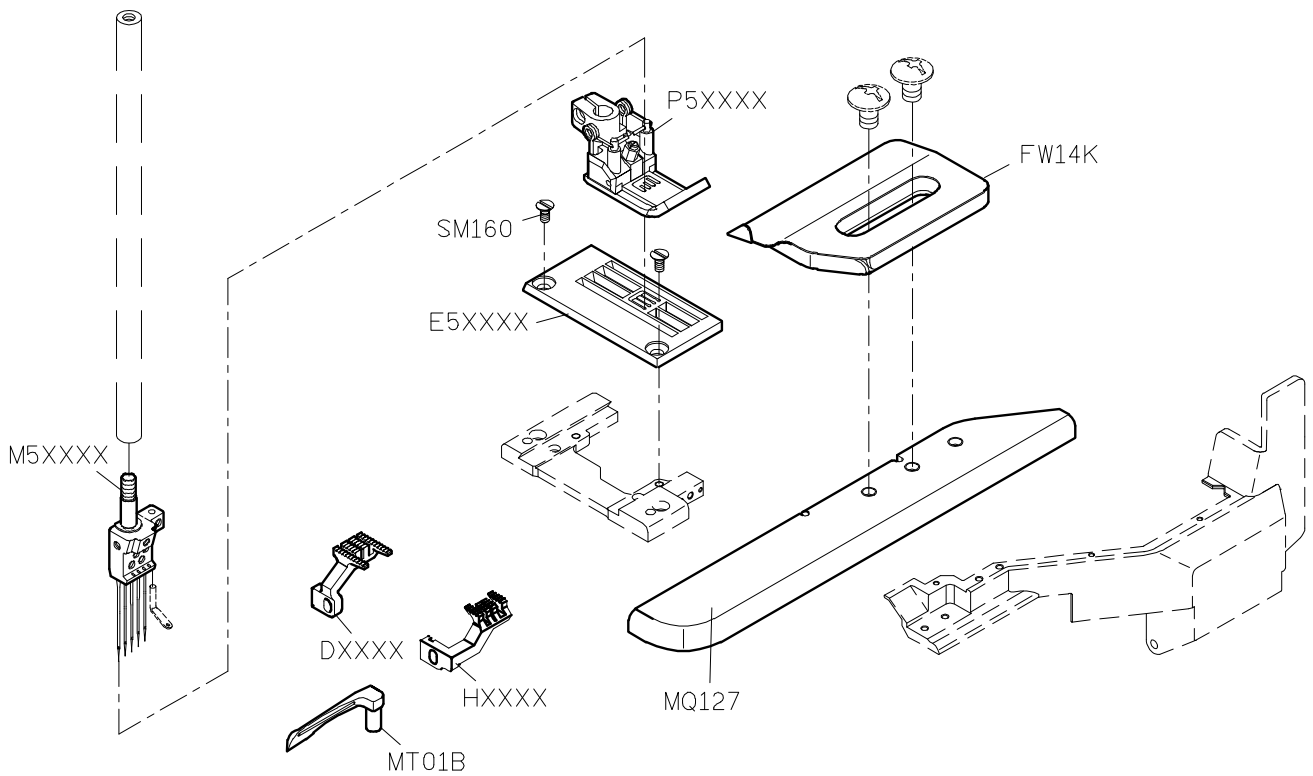
A

B

C

D

E



1

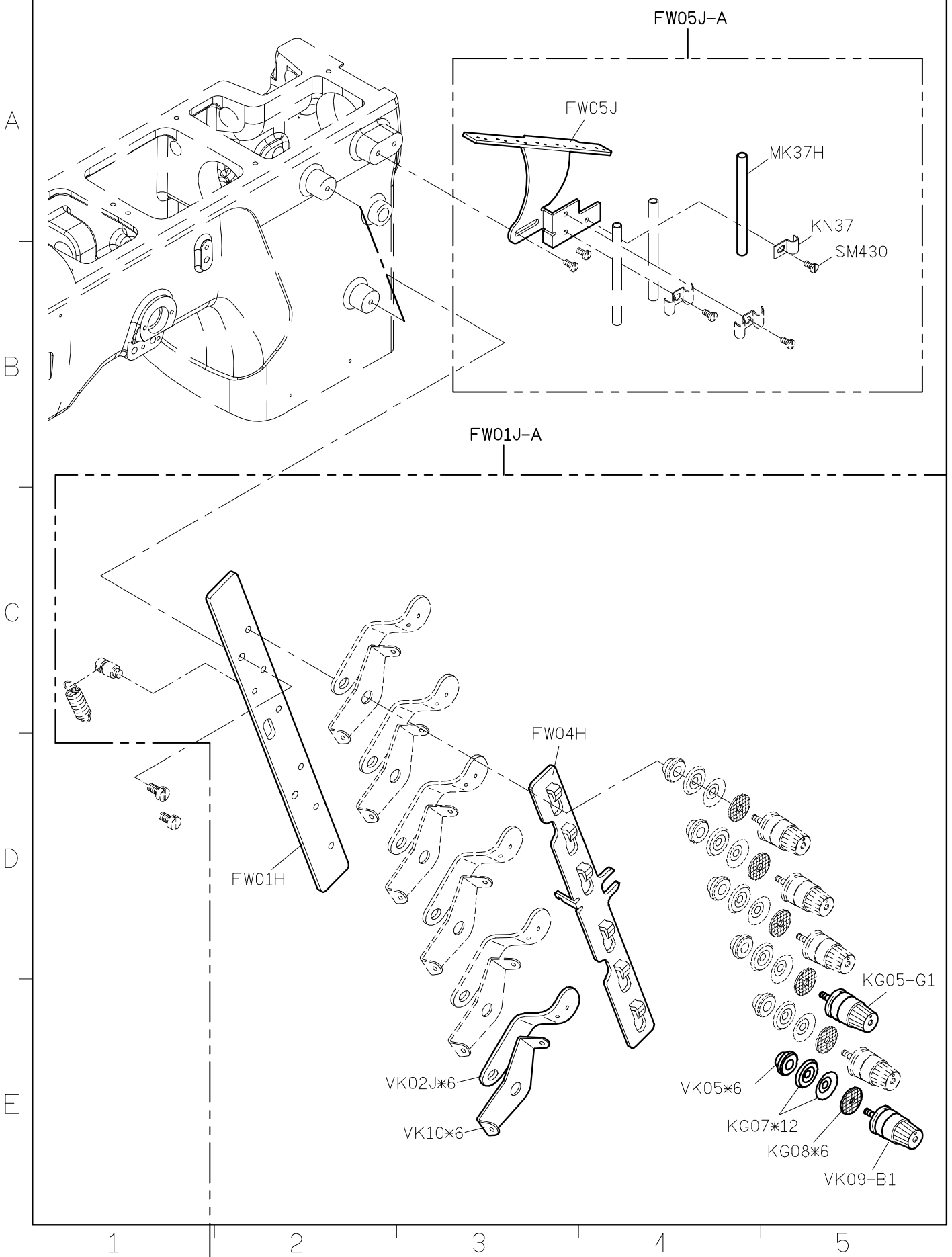
2

3

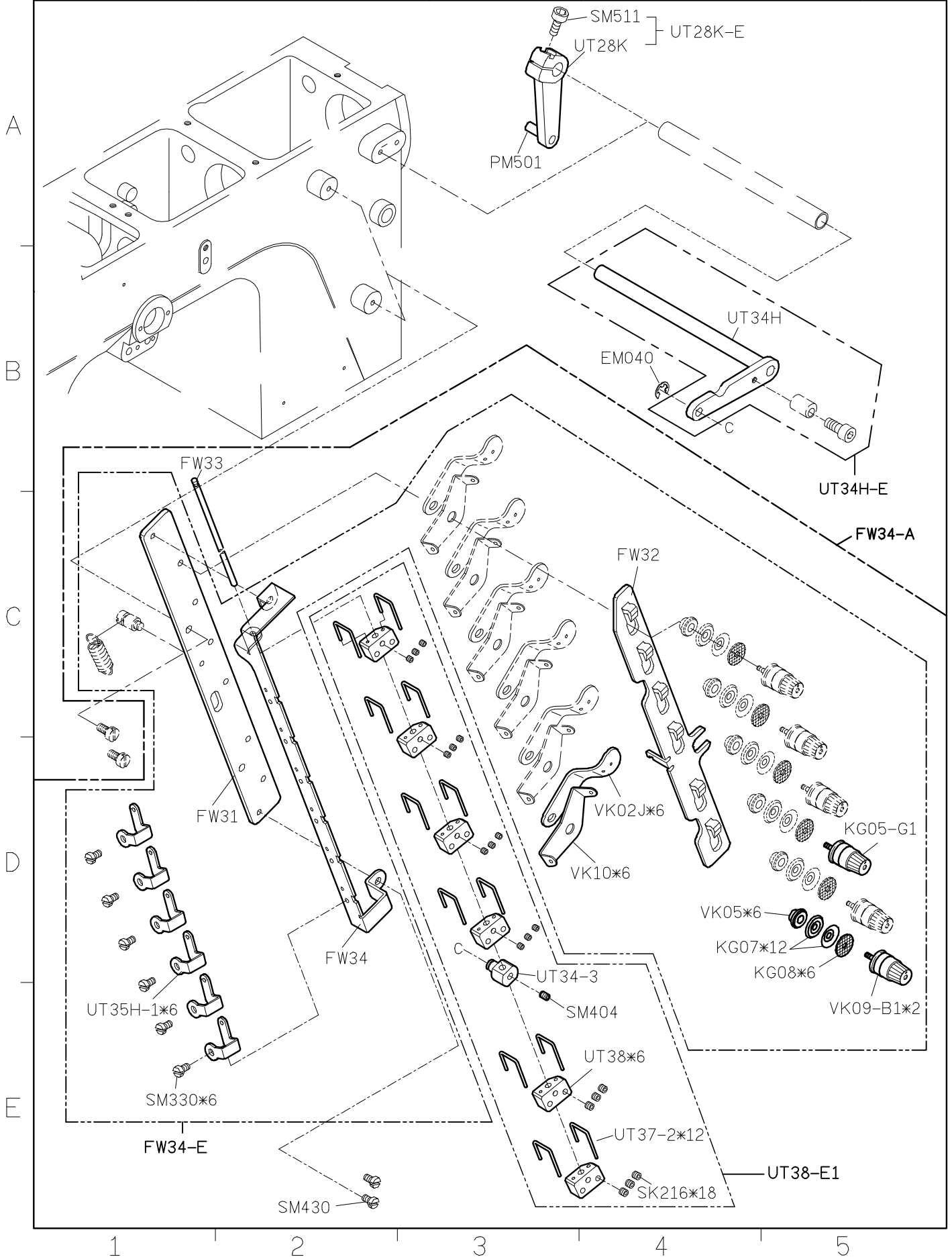
4

5

SIRUBA PARTS LIST	Series	Parts Group	Subclass / Remark	Page
	C007K/C007KD	CW-K		2/4
	C007KP/C858K			Date
	C007L/C007LX			2021/1/28

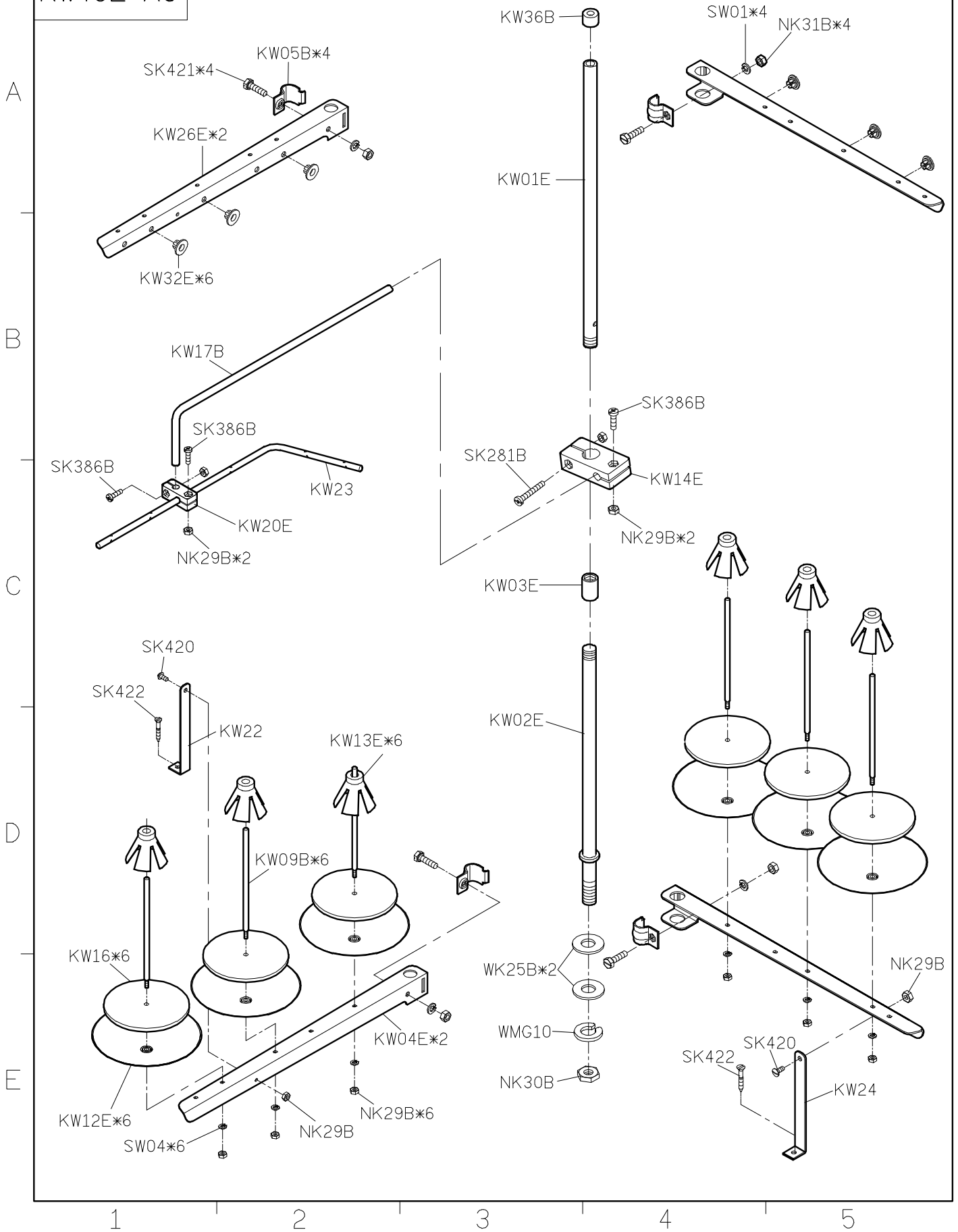


SIRUBA PARTS LIST	Series	Parts Group	Subclass / Remark	Page
	C007K/C007KD	CW-K	For UTQ	3/4
	C007KP/C858K			Date
	C007L/C007LX			2021/1/28

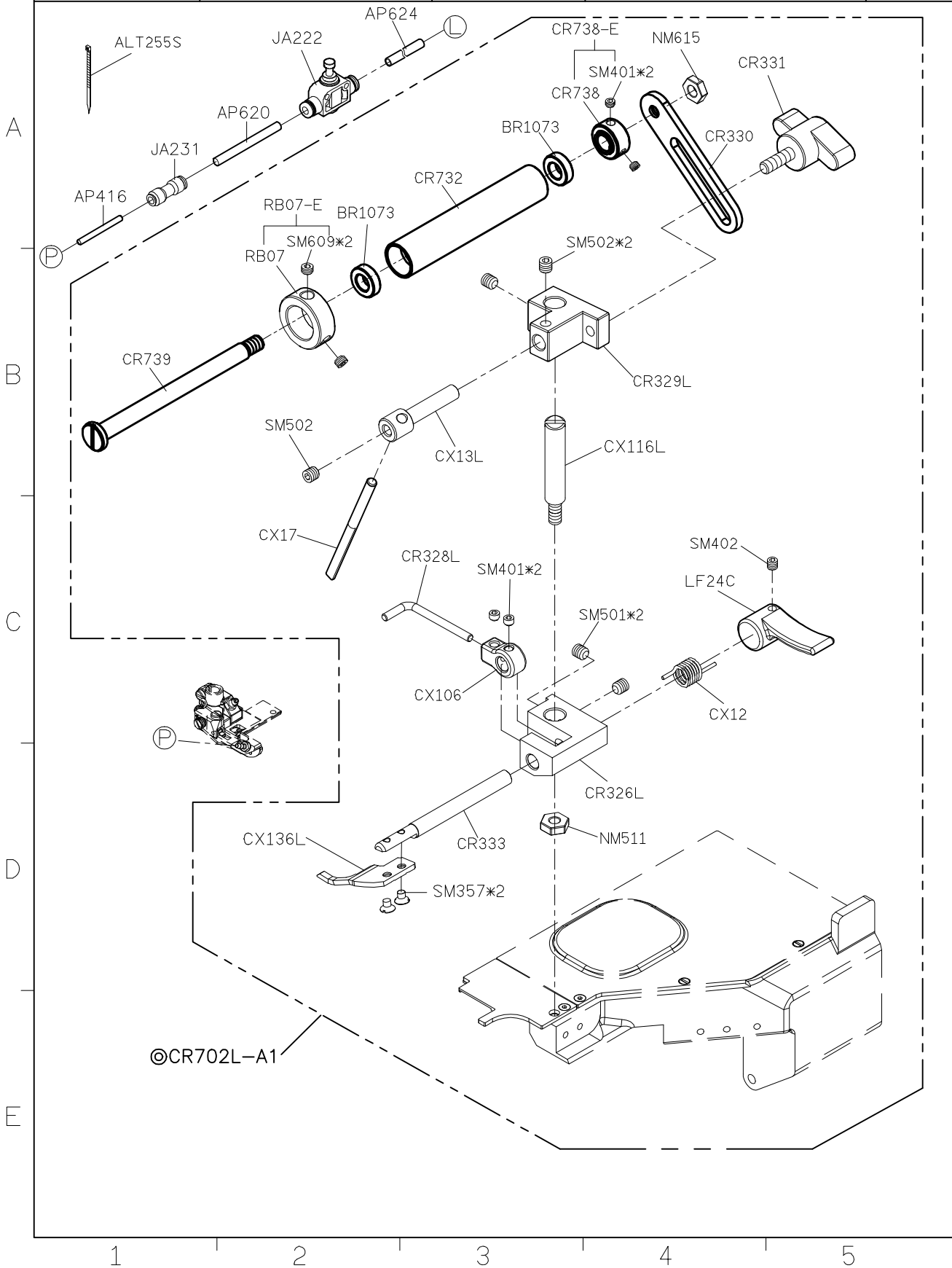


<b>SIRUBA</b> <b>PARTS LIST</b>	<b>Series</b>	<b>Parts Group</b>	<b>Subclass / Remark</b>	<b>Page</b>
	C007K/C007KD	<b>CW-K</b>		4/4
	C007KP/C858K			<b>Date</b>
	C007L/C007LX			2021/1/28

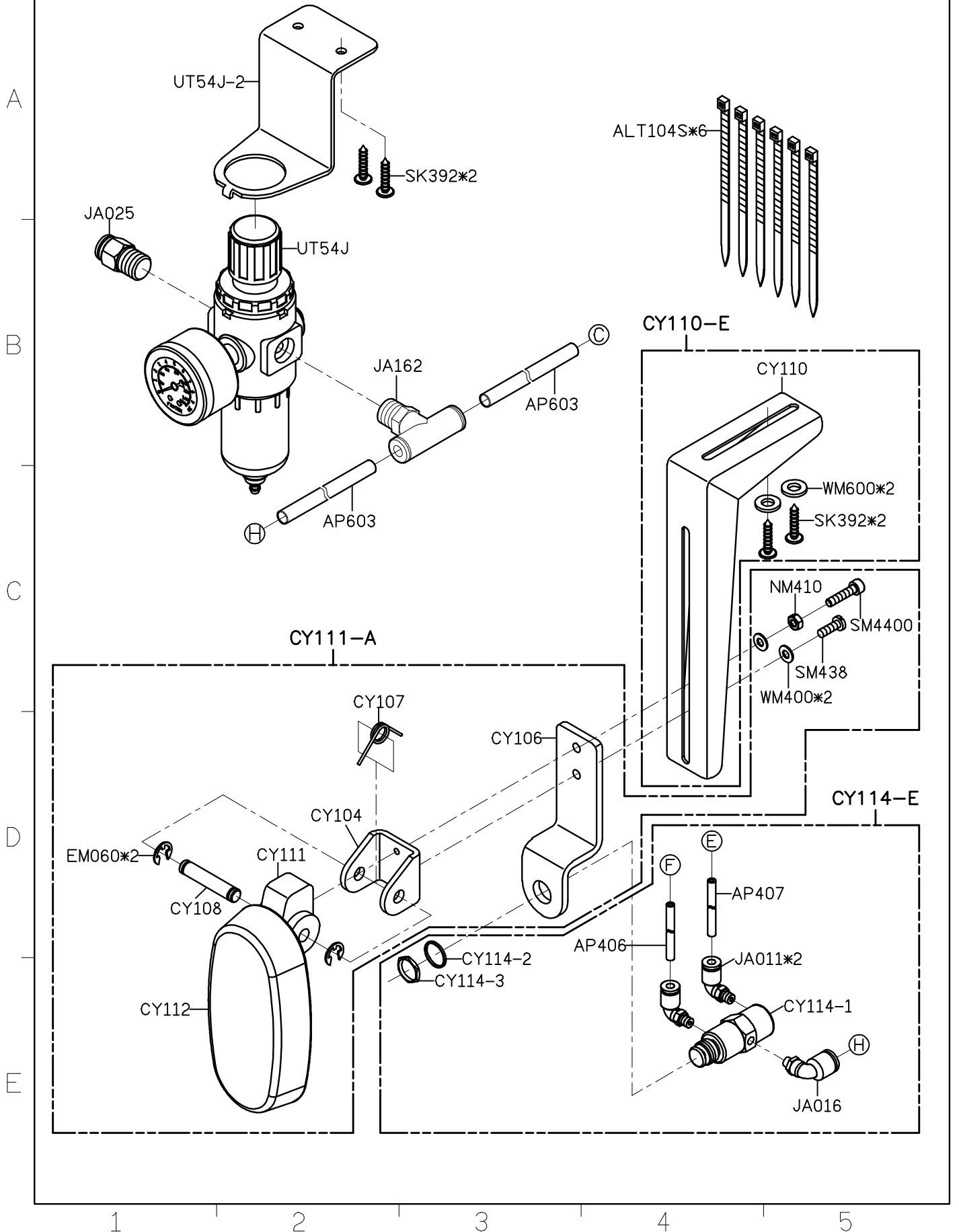
KW40E-A3

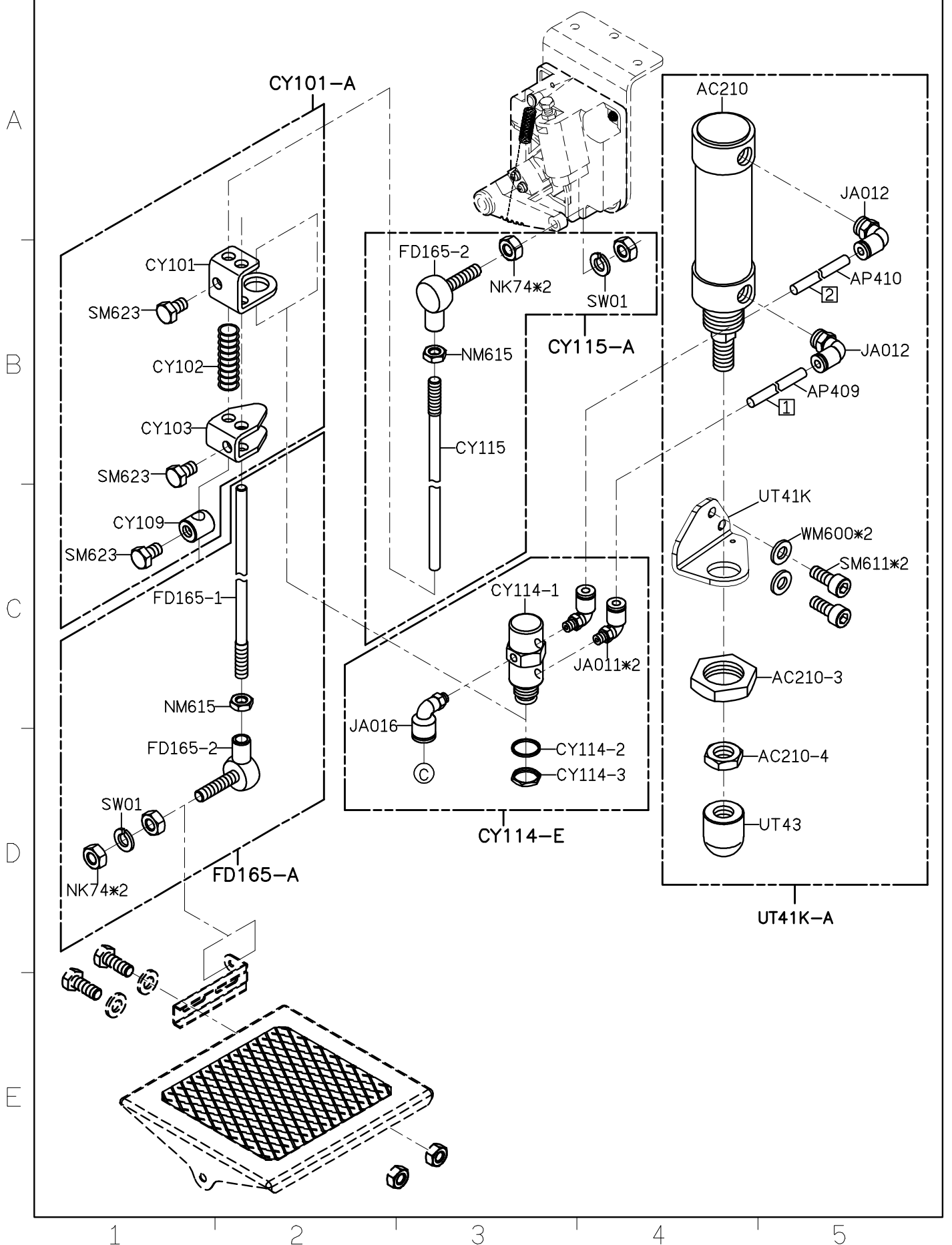


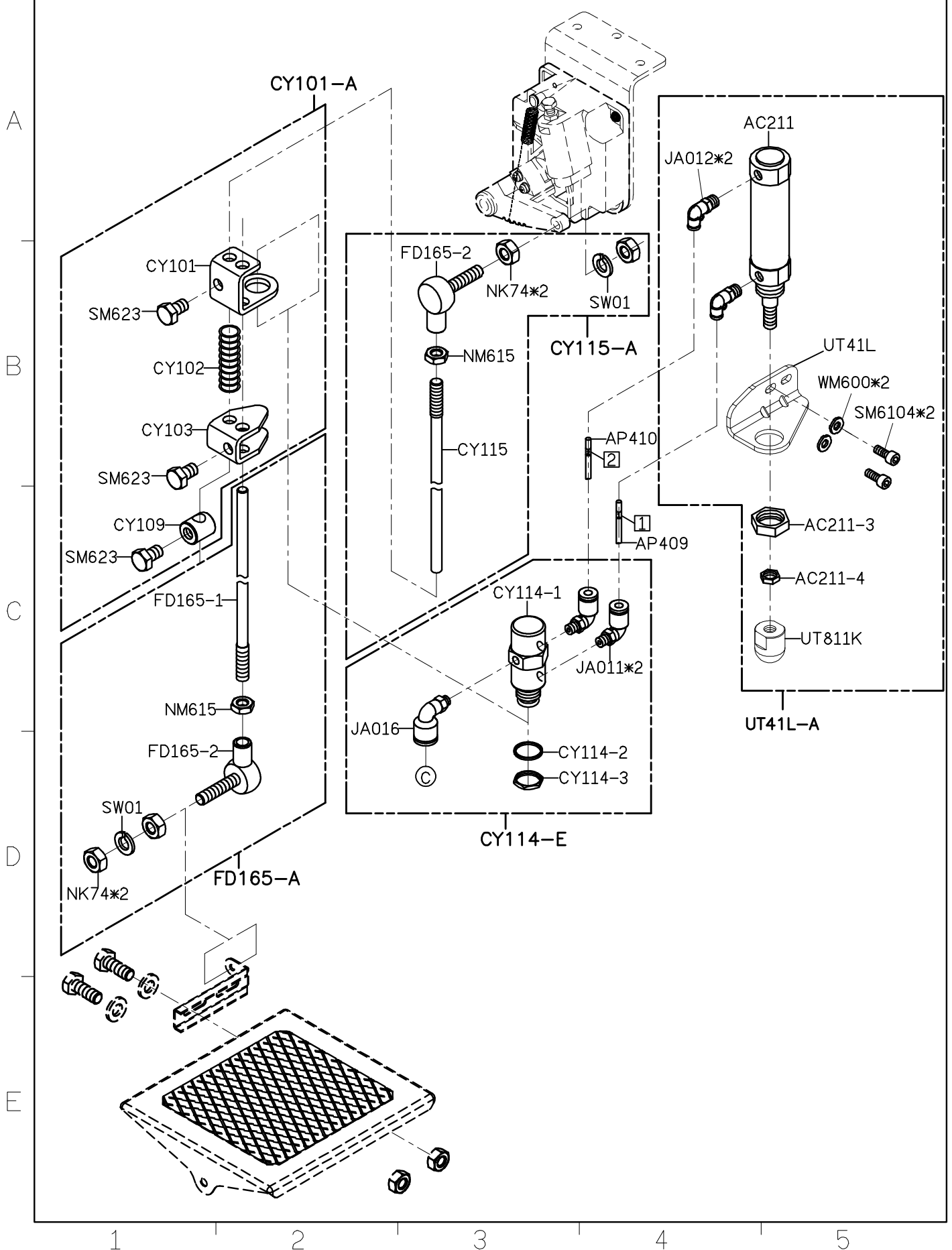
<b>SIRUBA</b> <b>PARTS LIST</b>	<b>Series</b>	<b>Parts Group</b>	<b>Subclass / Remark</b>	<b>Page</b>
	C007L/C007LX	<b>CX-L</b>	☉: Use for CR/CX	1/1
				<b>Date</b>
				2024/07/02



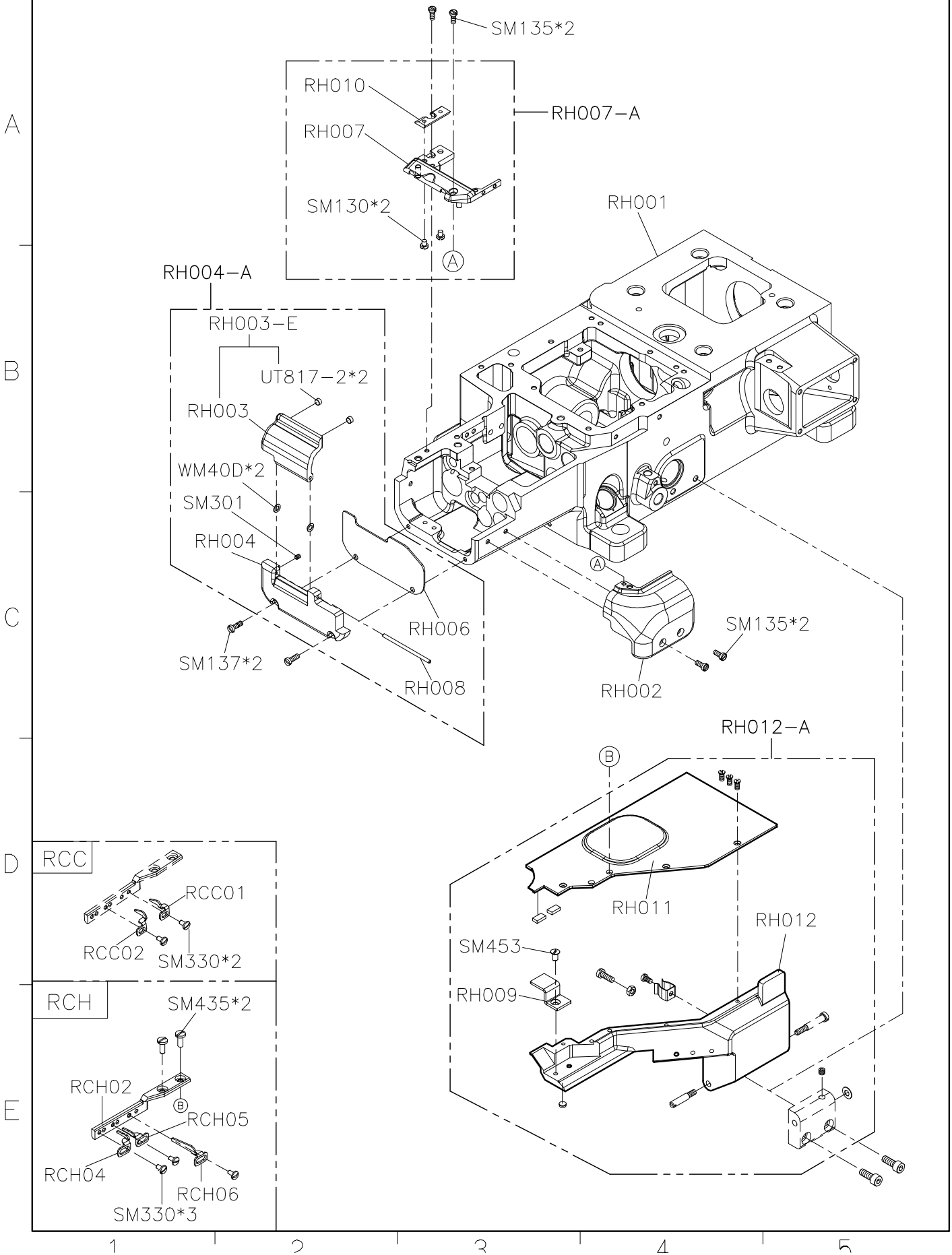




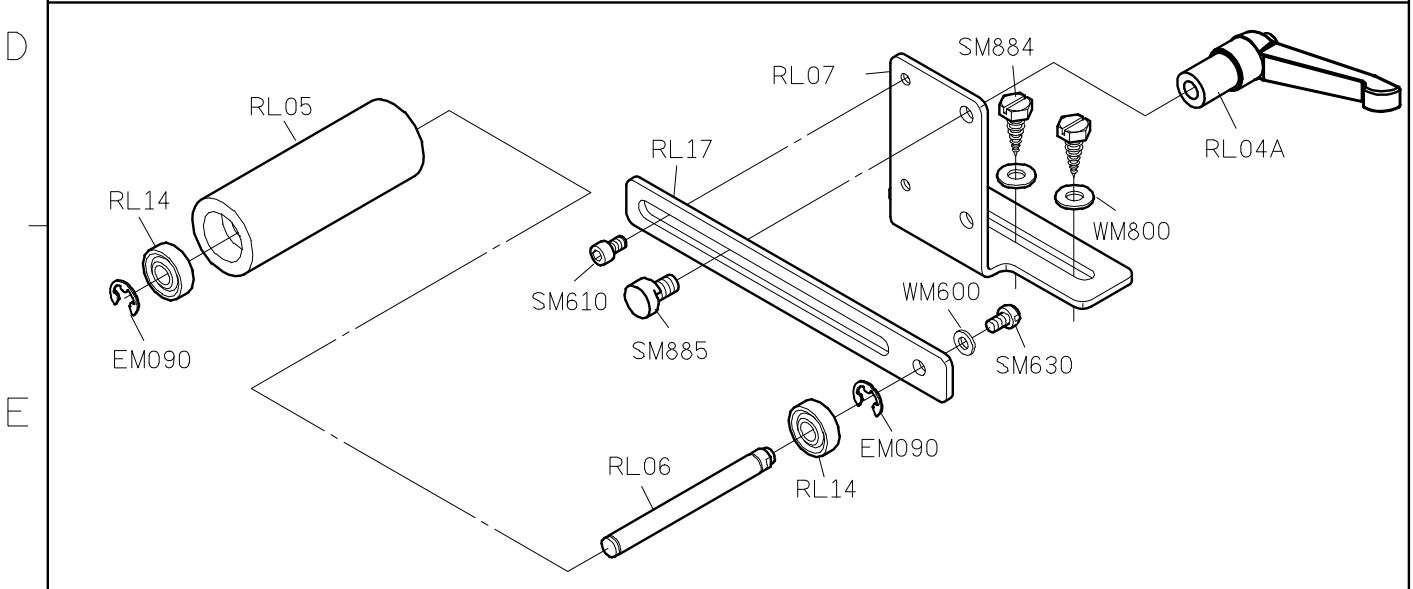
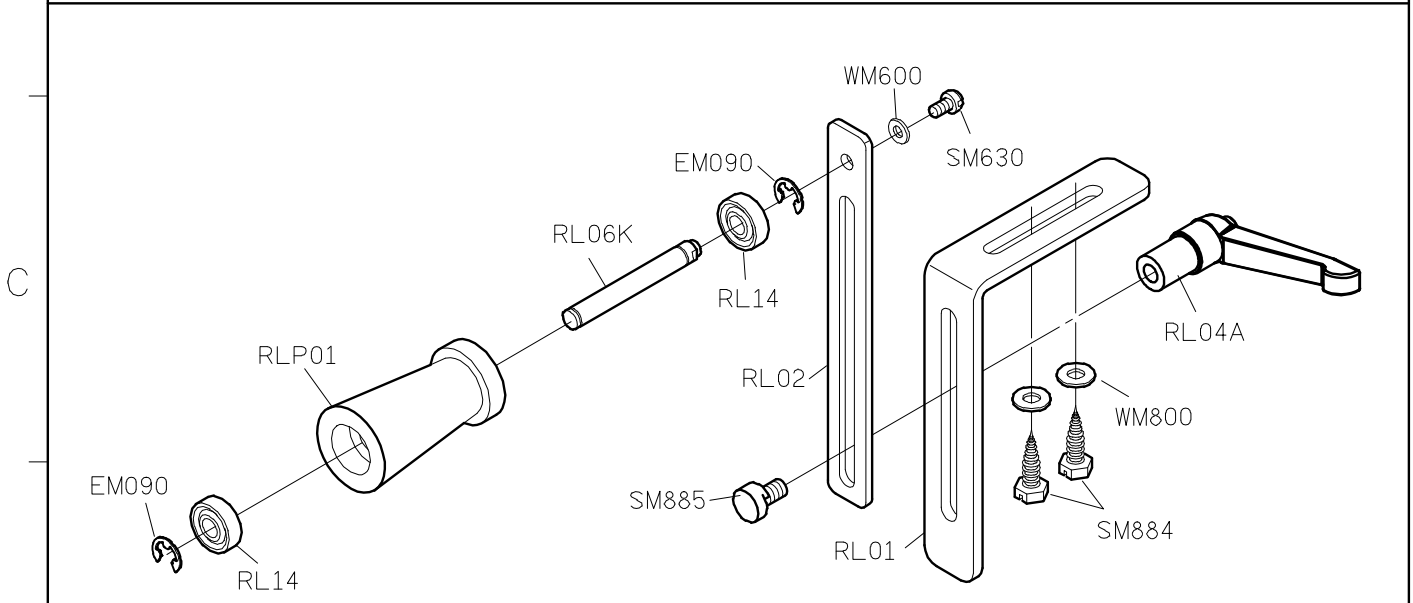
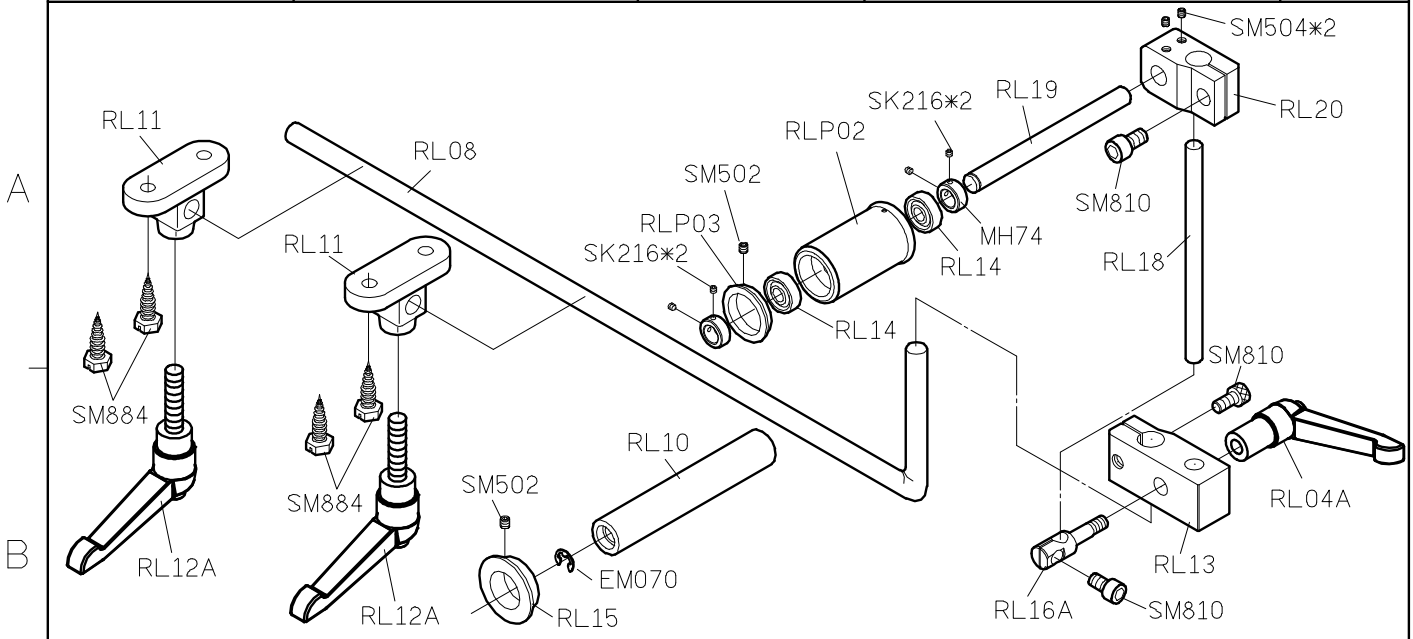


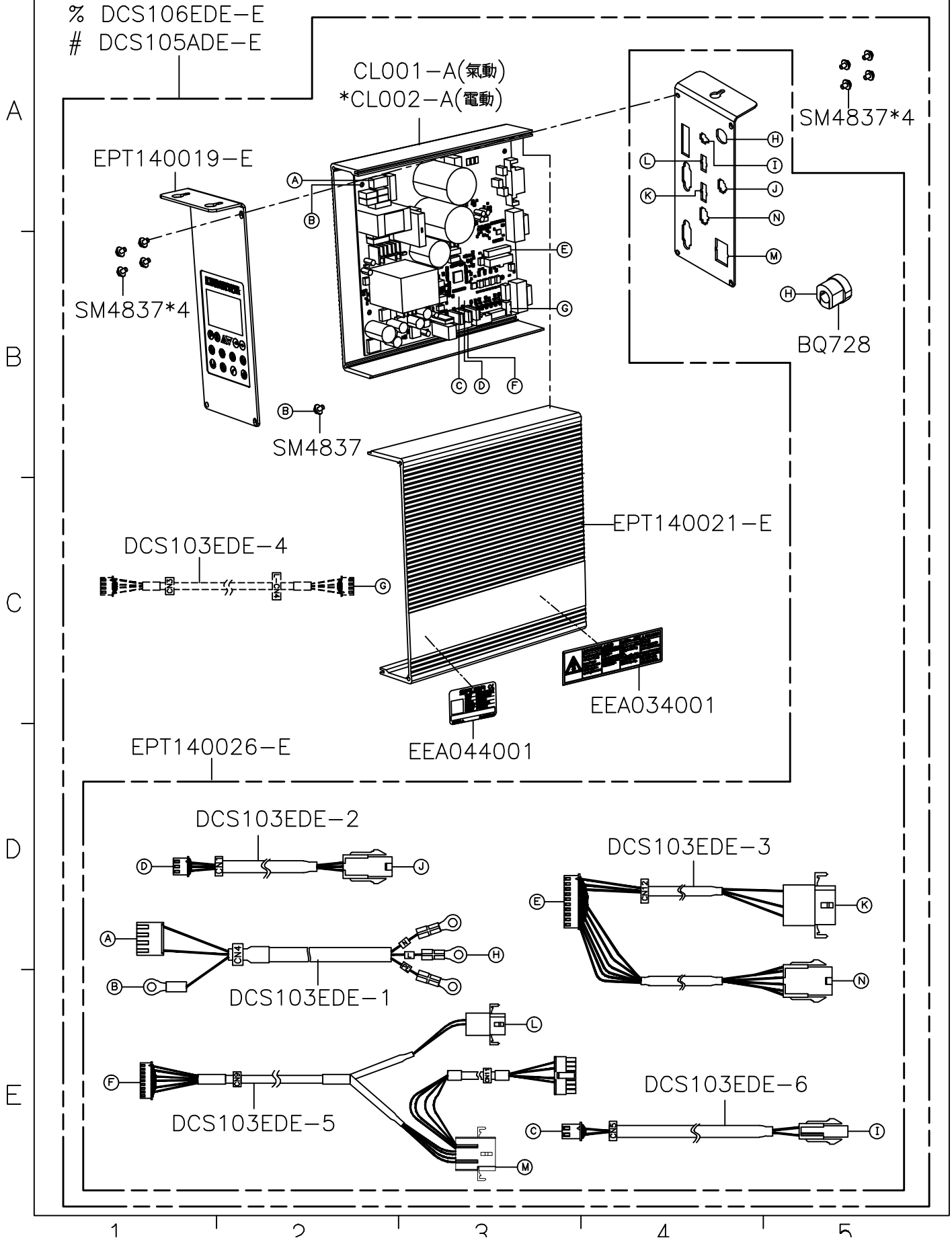


SIRUBA PARTS LIST	Series	Parts Group	Subclass / Remark	Page
	C007L/C007LX	RH		1/1
				Date
				2022/3/15



<b>SIRUBA</b> <b>PARTS LIST</b>	<b>Series</b>	<b>Parts Group</b>	<b>Subclass / Remark</b>	<b>Page</b>
	C007L/C007LX	<b>RLP1</b>		1/1
				<b>Date</b>
				2023/3/23





SIRUBA PARTS LIST	Series	Parts Group	Subclass / Remark	Page
	C007L	ST-600W	-	2/7
				Date
				2024/3/18

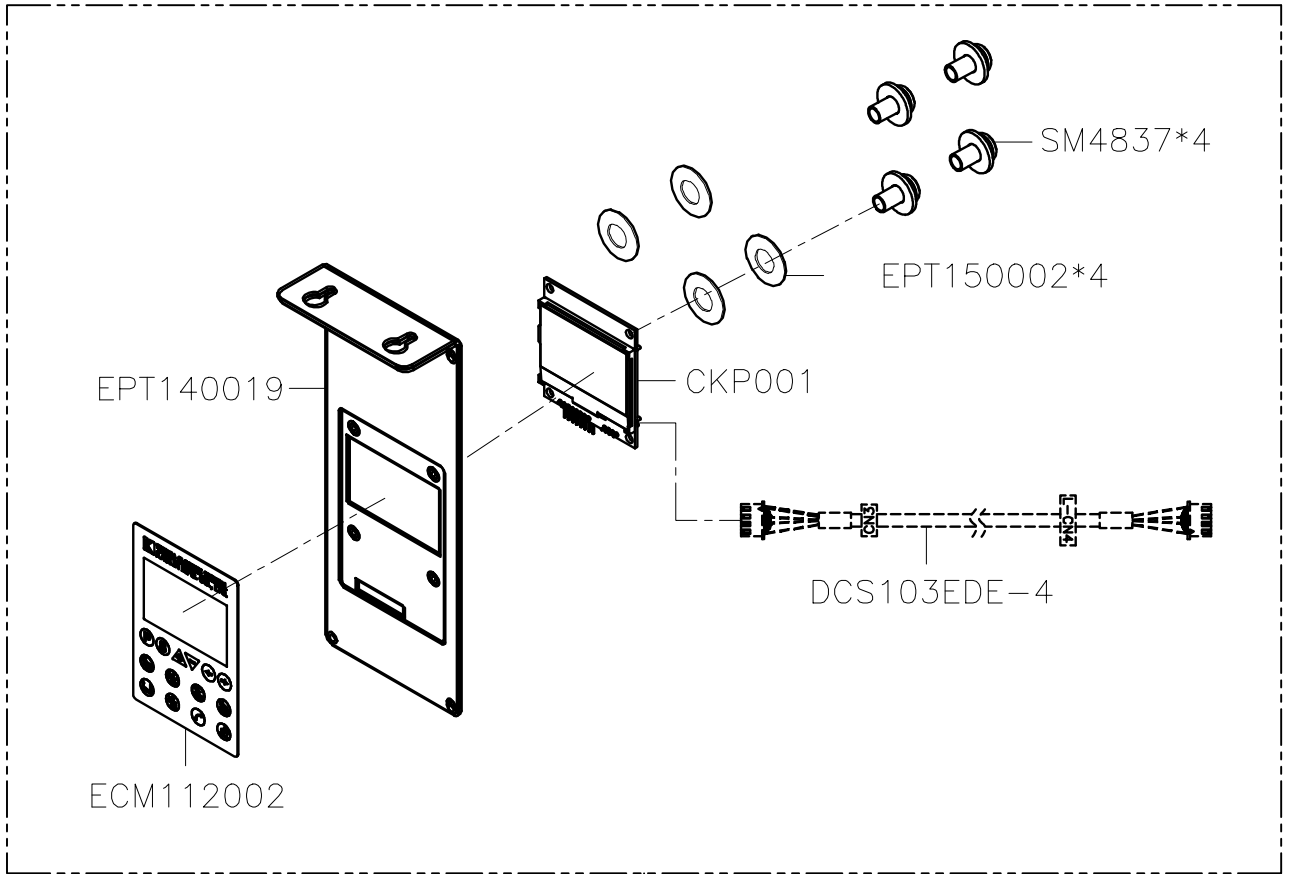
A

B

C

D

E



EPT140019-E

1

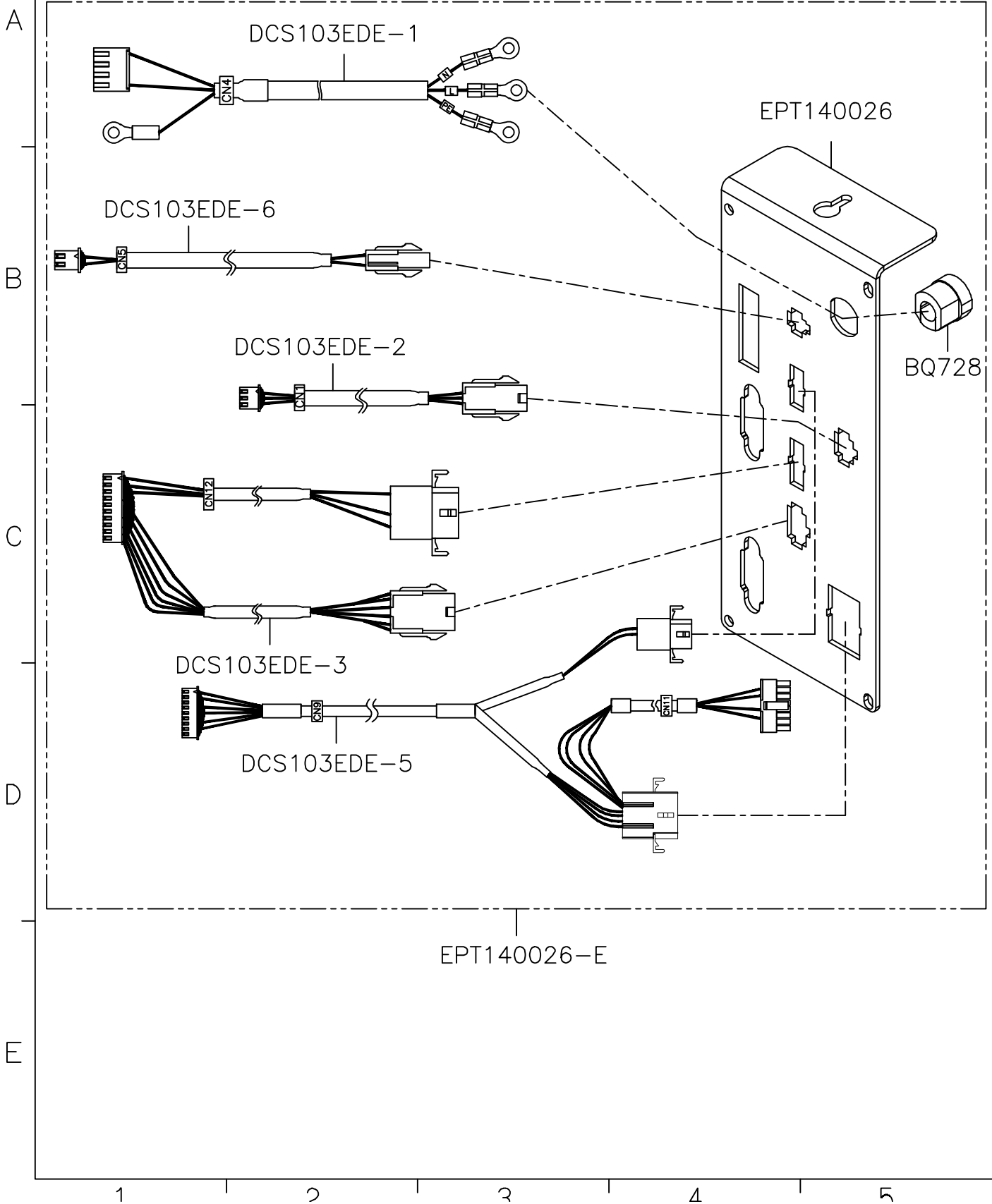
2

3

4

5

SIRUBA PARTS LIST	Series	Parts Group	Subclass / Remark	Page
	C007L	ST-600W	-	4/7
				Date
				2024/7/18

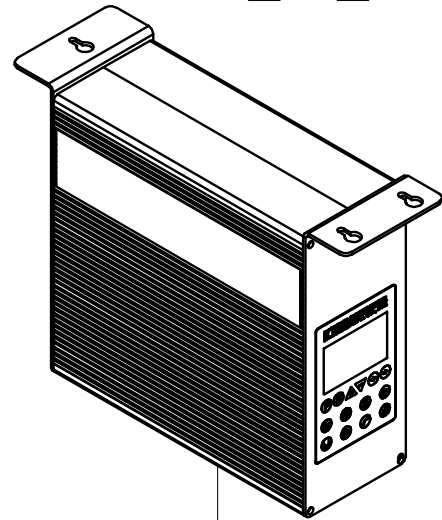
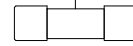


SIRUBA PARTS LIST	Series	Parts Group	Subclass / Remark	Page
	C007L	ST-600W	For Direct-Drive Motor # For Pneumatic Automatic % For Electric Automatic	6/7
				Date
				2024/3/25

A

% DCS106EDE-A1  
# DCS105ADE-A1

EPT100019\*1

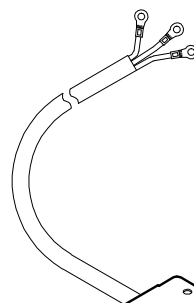


% DCS106EDE-E  
# DCS105ADE-E

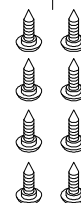
B

C

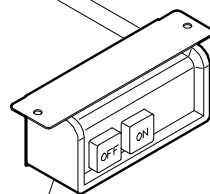
D



SK392\*8



ANC08\*2



DCS103EDE-8

E

1

2

3

4

5

A

B

C

D

E

#DCS105ADE-E1(氣動)  
%DCS106EDE-E1(電動)

SM4837\*4

EPT140020

EPT140019-E2  
(氣動/電動)

SM4837\*4

#DCS105ADE(氣動)  
%DCS106EDE(電動)

SM394\*2

BQ728

DCS103EDE-4

SM4837\*4

EPT140021-E

EPT140026-E

EAA044001

EAA034001

DCS103EDE-2

DCS103EDE-3

DCS103EDE-1

DCS103EDE-5

DCS103EDE-6

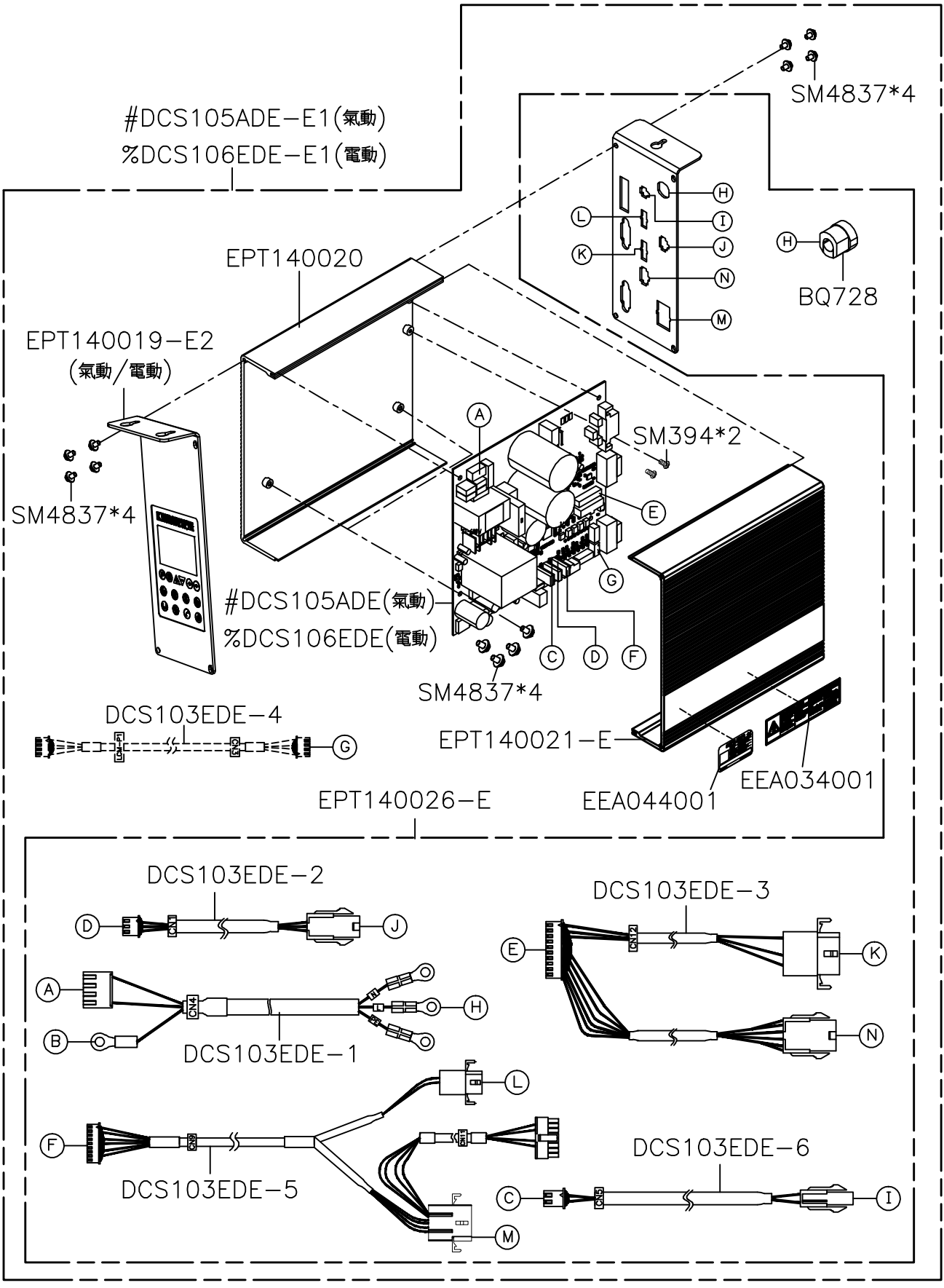
1

2

3

4

5



SIRUBA PARTS LIST	Series	Parts Group	Subclass / Remark	Page
	C007L/CL007LX	ST-600W-01	-	2/6
				Date 2024/09/08

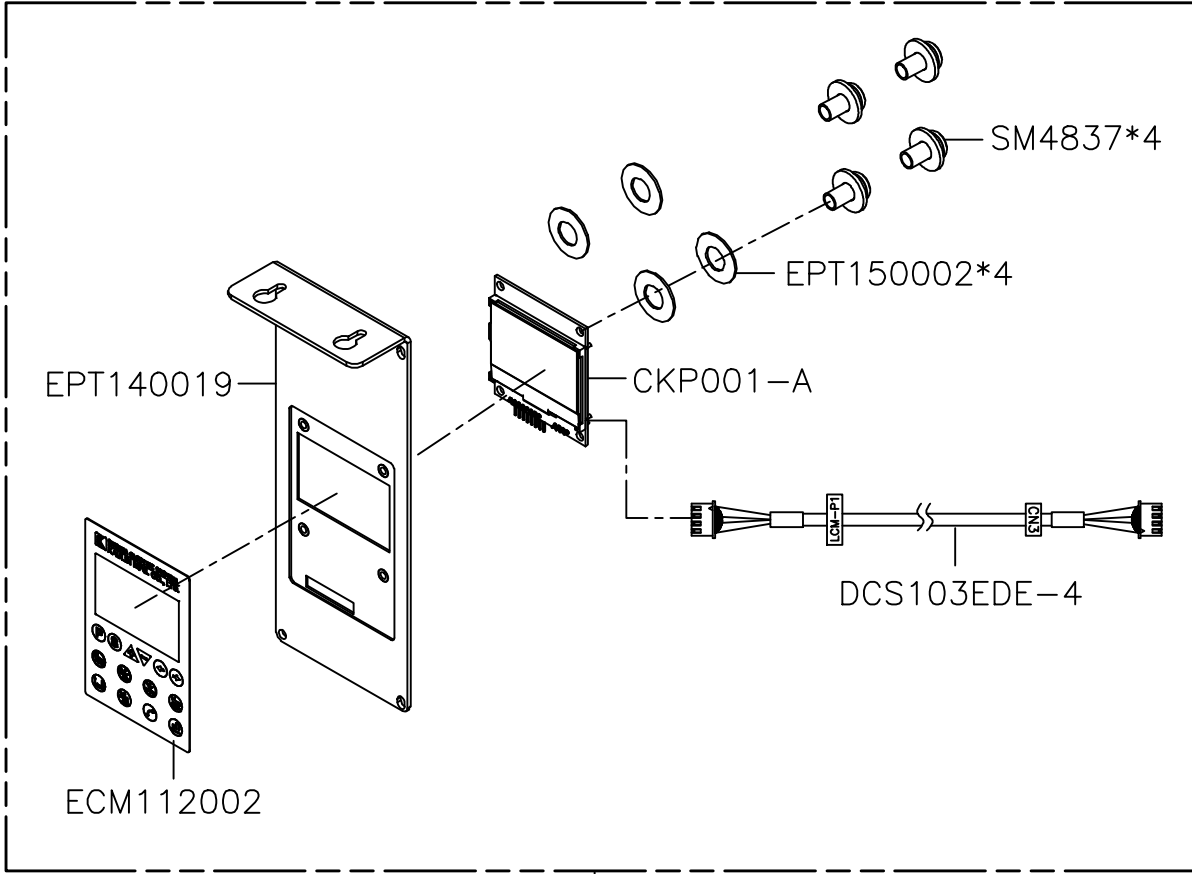
A

B

C

D

E



EPT140019-E2

1

2

3

4

5

<b>SIRUBA</b>  <b>PARTS LIST</b>	Series	Parts Group	Subclass / Remark	Page
	C007L/CL007LX	ST-600W-01	-	3/6
				Date
				2024/09/08

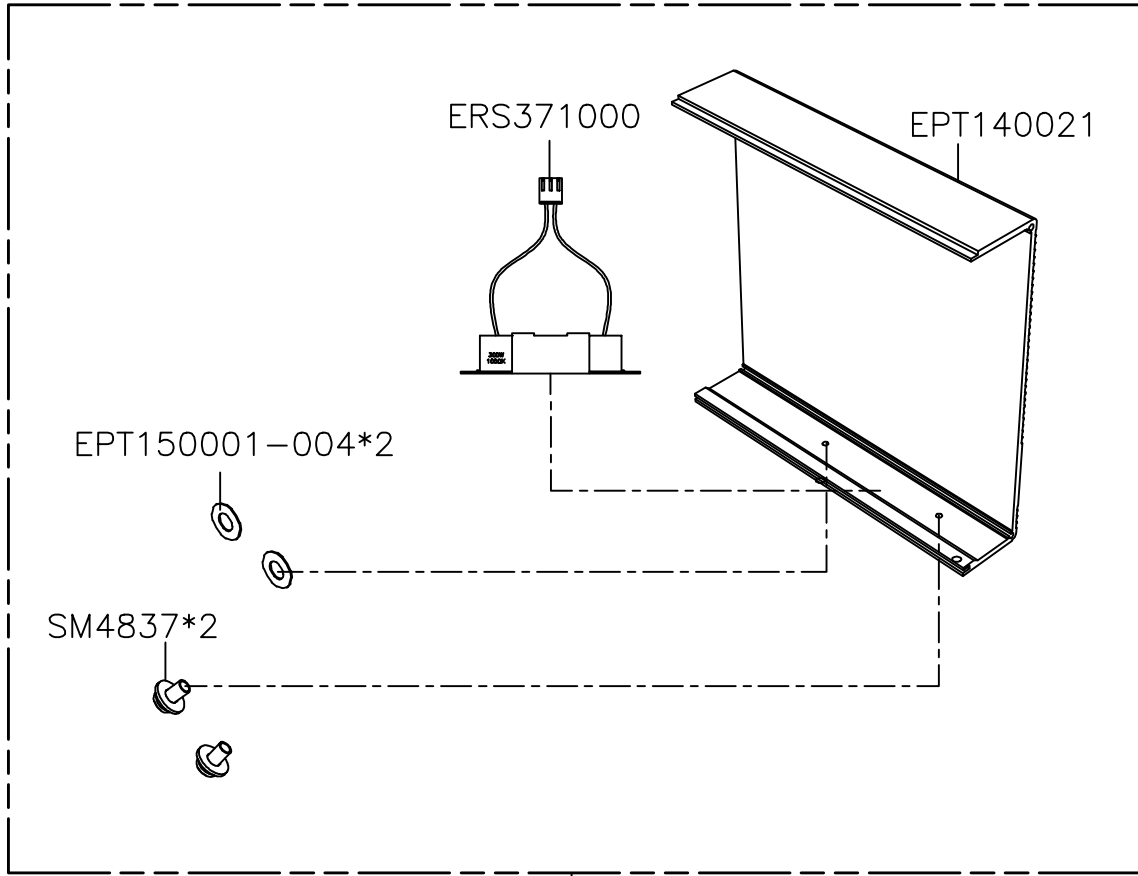
A

B

C

D

E



EPT140021-E

1

2

3

4

5

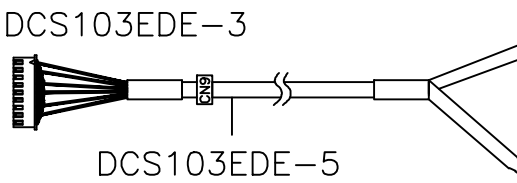
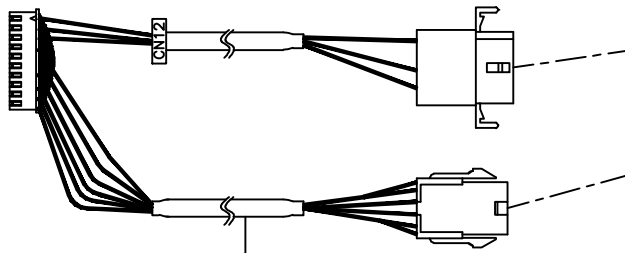
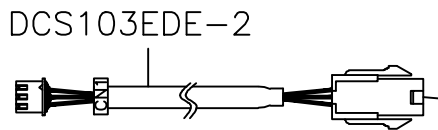
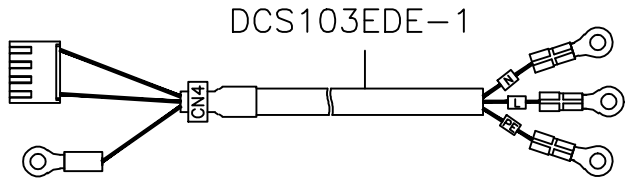
A

B

C

D

E



EPT140026

BQ728

EPT140026-E

1

2

3

4

5

SIRUBA PARTS LIST	Series	Parts Group	Subclass / Remark	Page
	C007L/CL007LX	ST-600W-01	# For Pneumatic Automatic % For Electric Automatic	5/6
				Date 2024/9/06

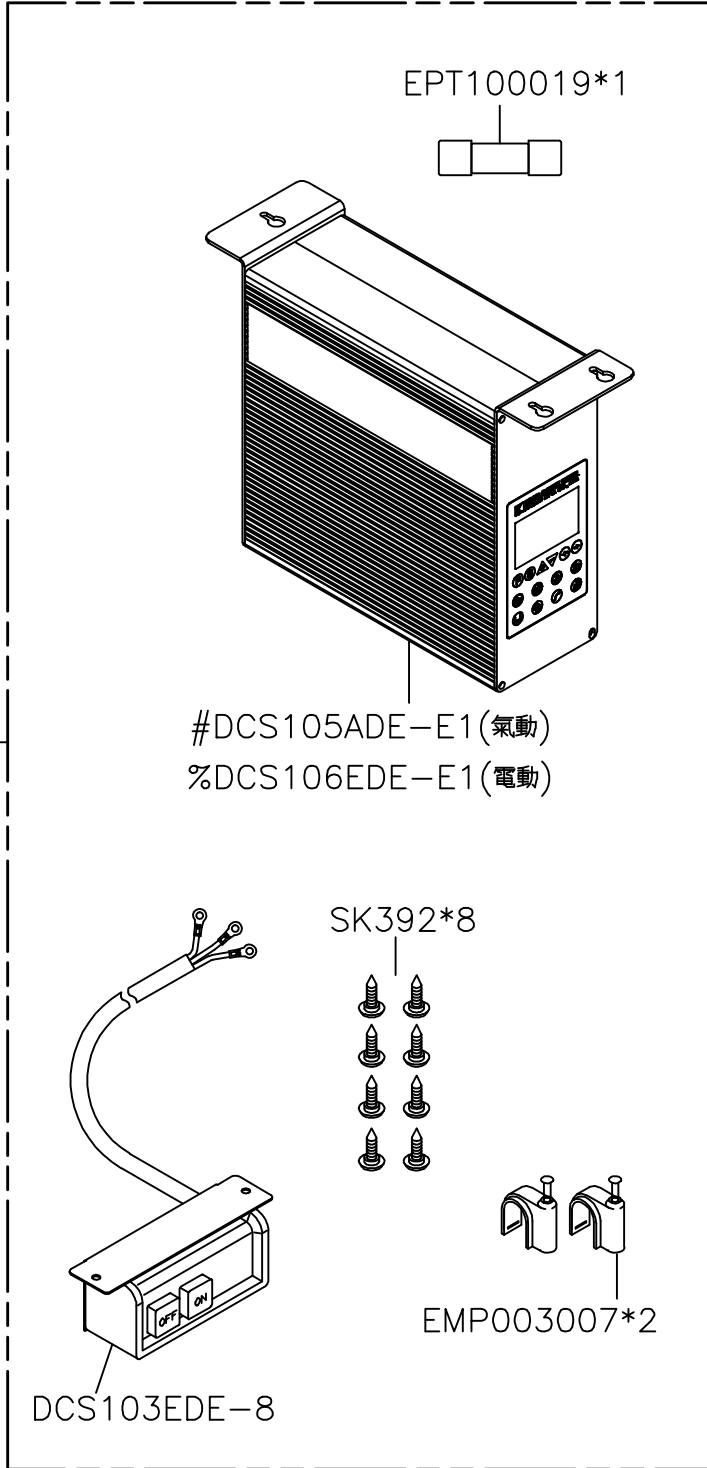
A

B

C

D

E



#DCS105ADE-A2(氣動)  
%DCS106EDE-A2(電動)

#DCS105ADE-E1(氣動)  
%DCS106EDE-E1(電動)

DCS103EDE-8

1

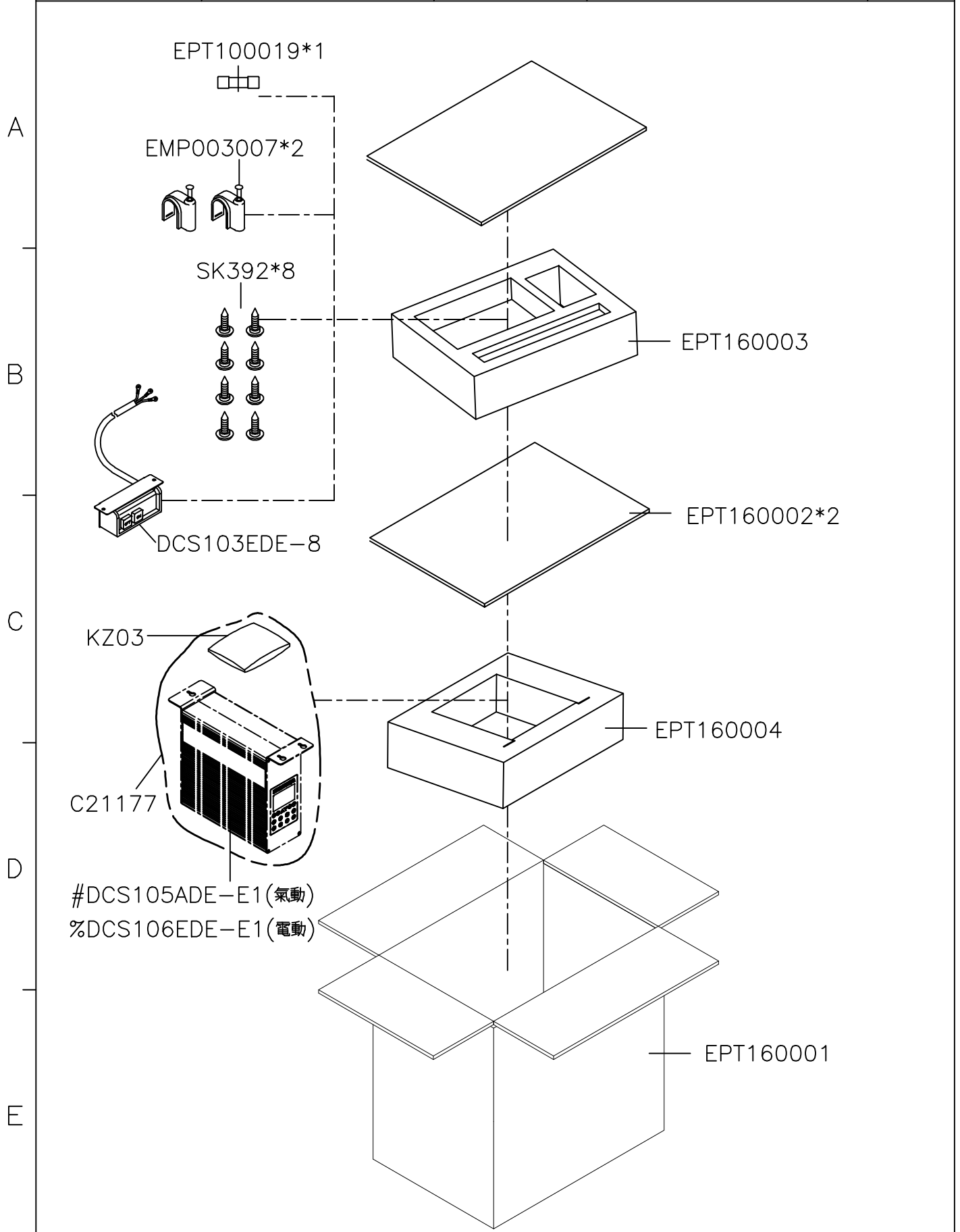
2

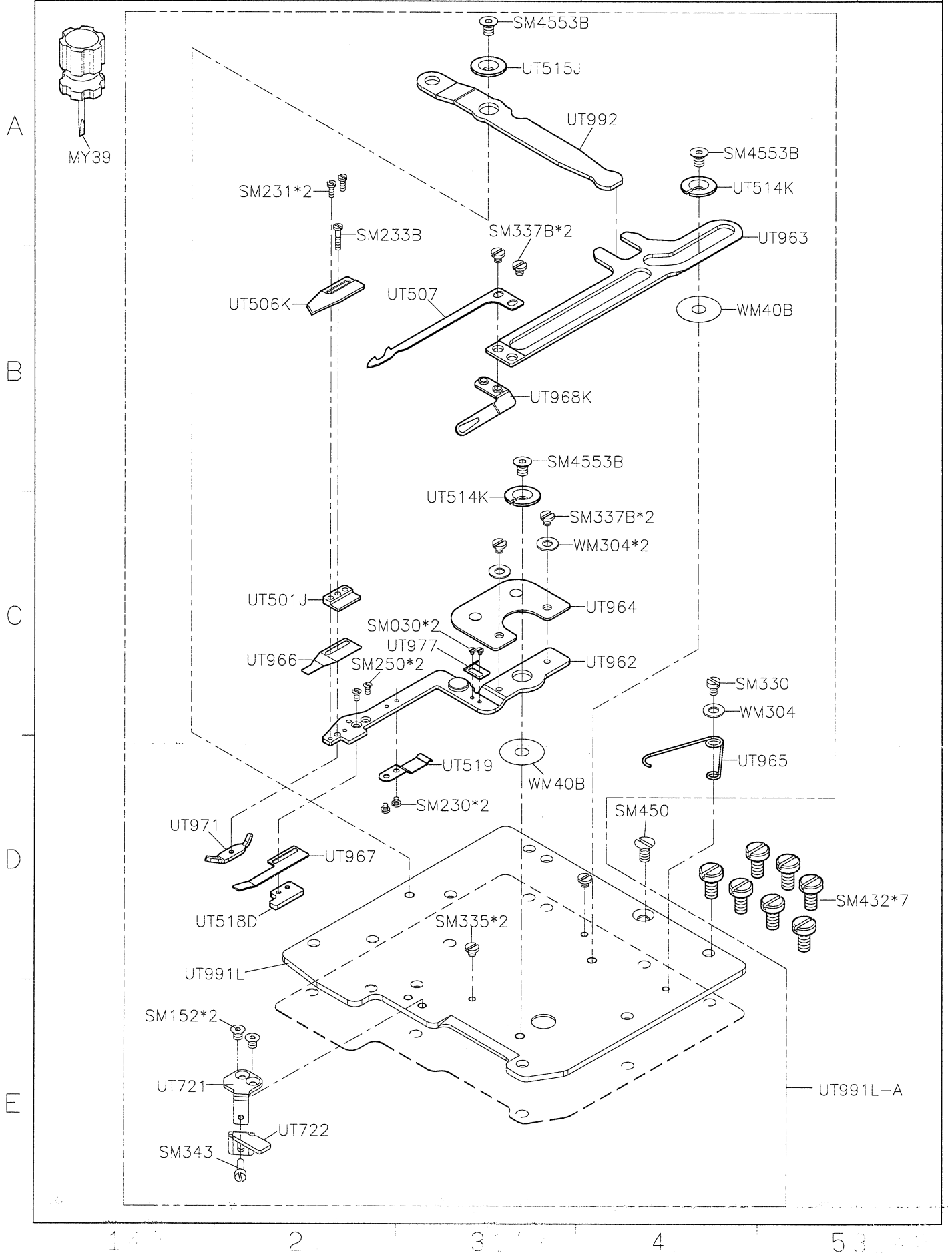
3

4

5

<b>SIRUBA</b> <b>PARTS LIST</b>	Series	Parts Group	Subclass / Remark	Page
	C007L/CL007LX	ST-600W-01	# For Pneumatic Automatic % For Electric Automatic	6/6
				Date
				2024/09/08





**SIRUBA**

**PARTS LIST**

**Series**

**C007L/C007LX**

**Parts Group**

**UTP(UTQ)-L**

**Subclass / Remark**

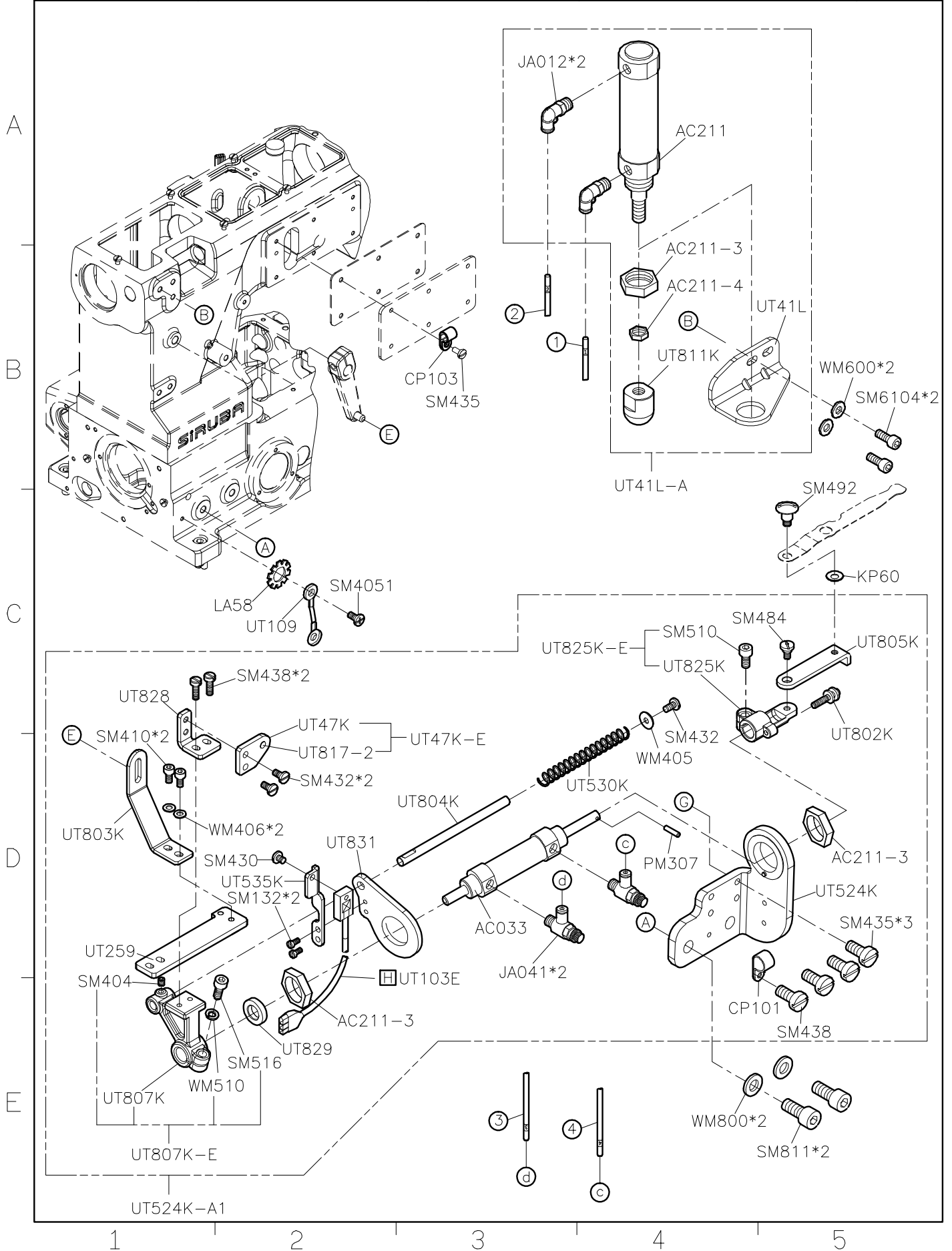
**[H] : Use for H brand motor**

**Page**

**2/11**

**Date**

**2021/4/14**





SIRUBA PARTS LIST	Series	Parts Group	Subclass / Remark	Page
	C007L/C007LX	UTP(UTQ)-L		4/11
				Date
				2019/09/18

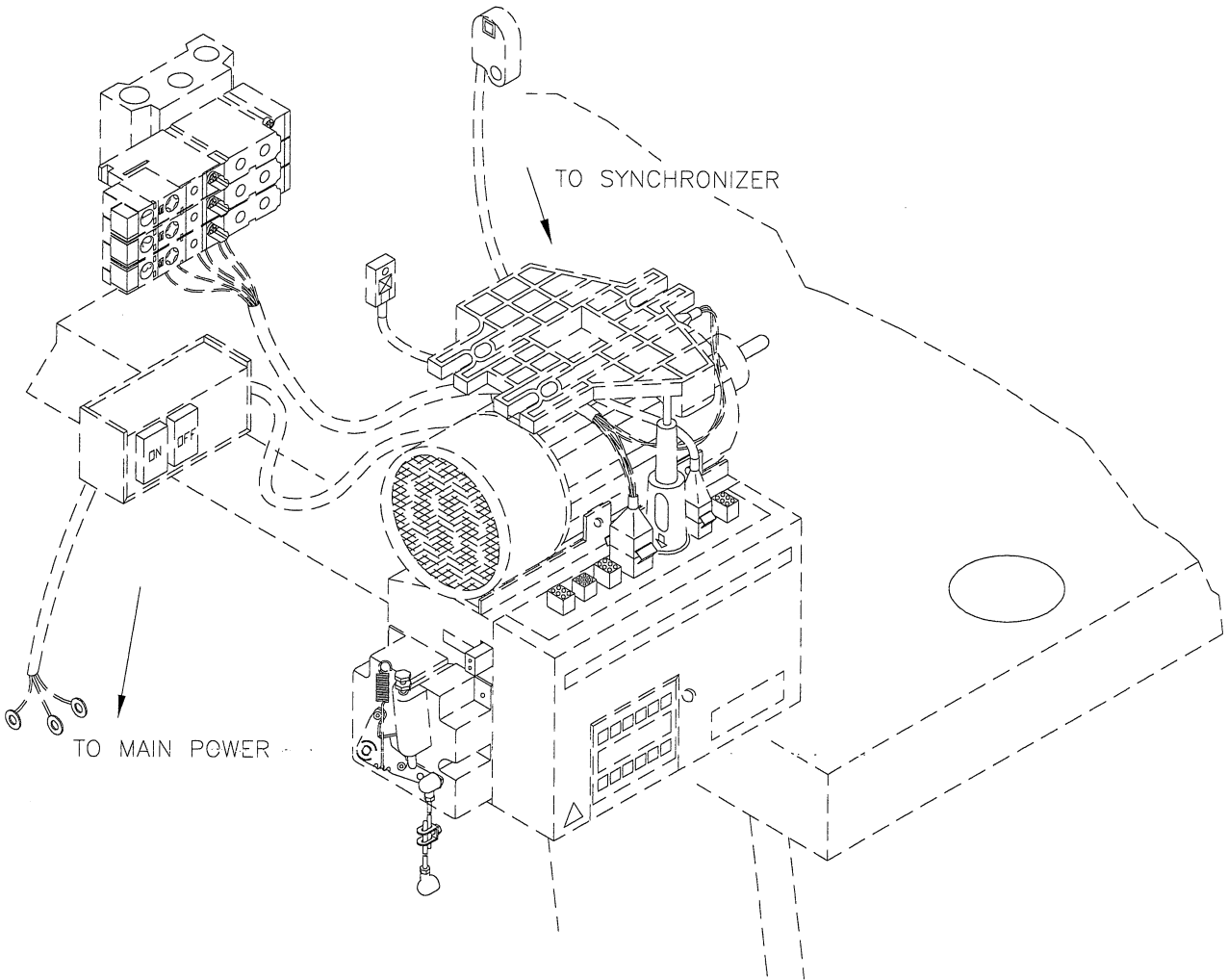
A

B

C

D

E



1

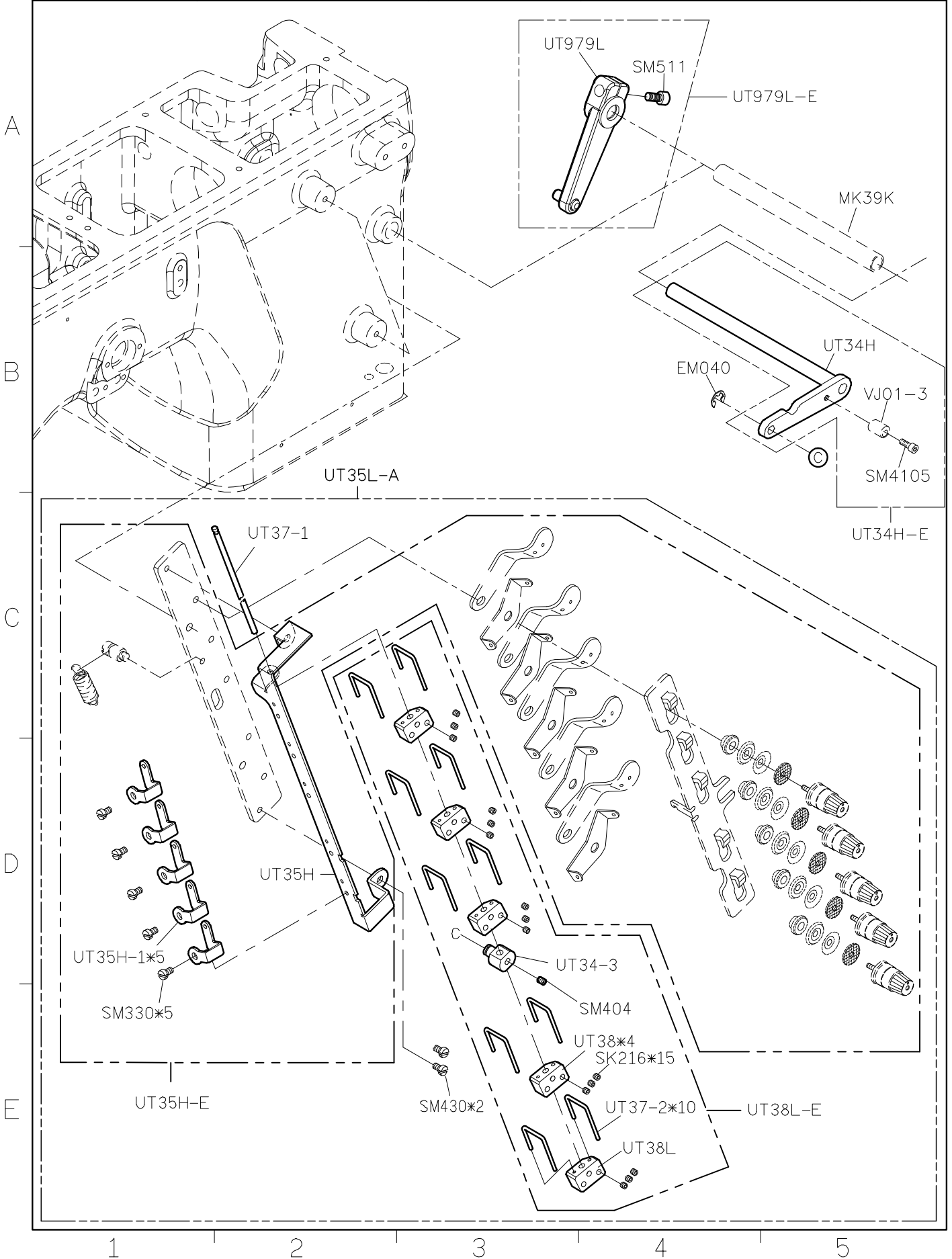
2

3

4

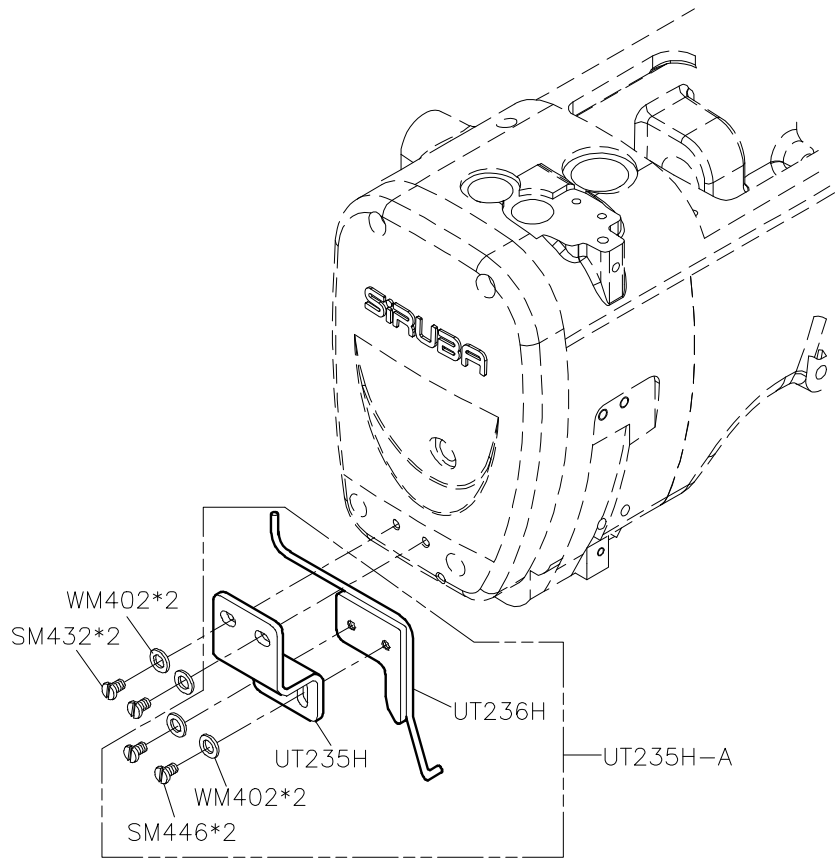
5

SIRUBA PARTS LIST	Series	Parts Group	Subclass / Remark	Page
	C007L/C007LX	UTP(UTQ)-L		5/11
				Date
				2021/11/23



SIRUBA PARTS LIST	Series	Parts Group	Subclass / Remark	Page
	C007L/C007LX	UTQ-L		6/11
				Date
				2022/11/24

FOR LEFT SIDE



1

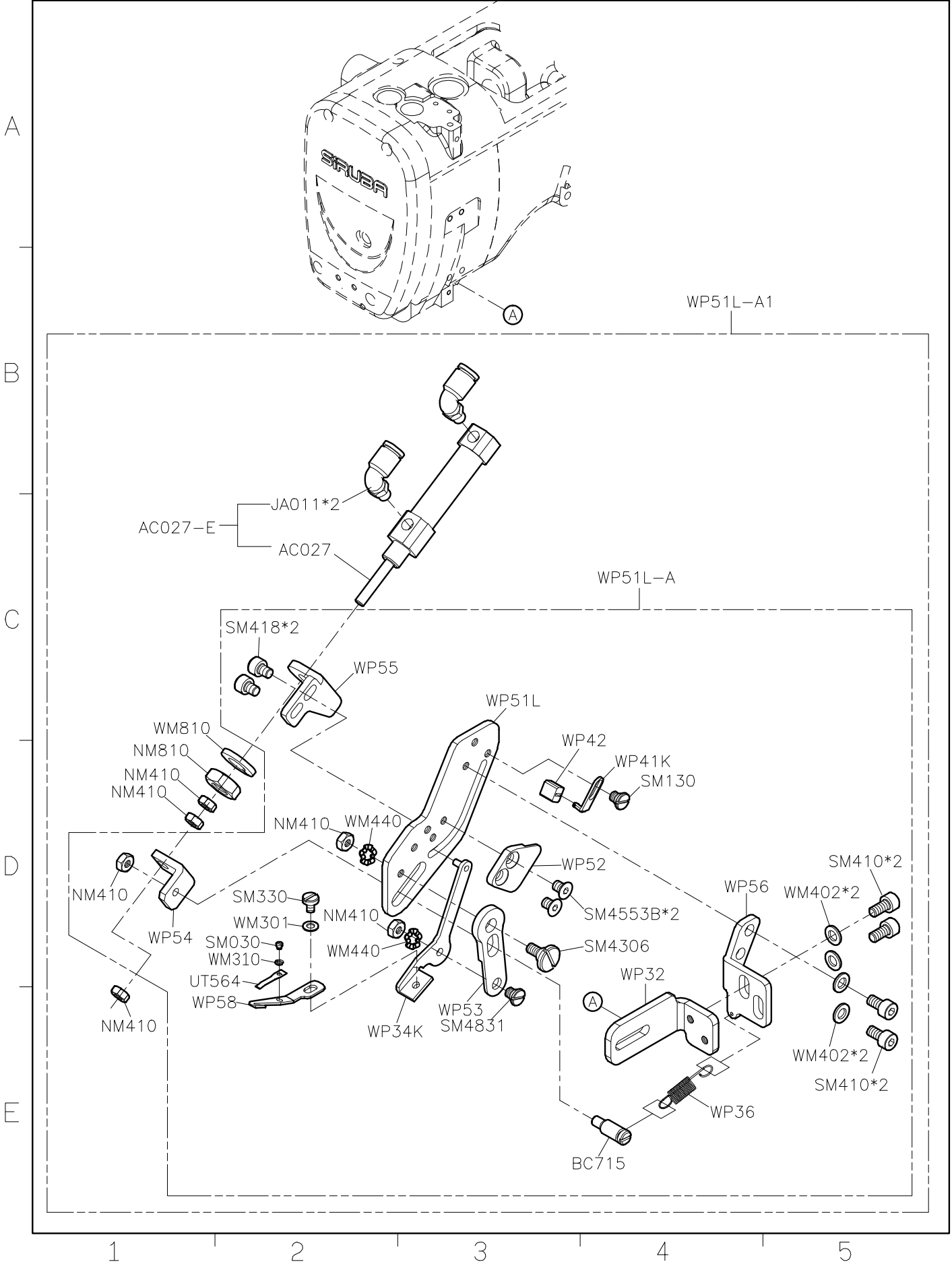
2

3

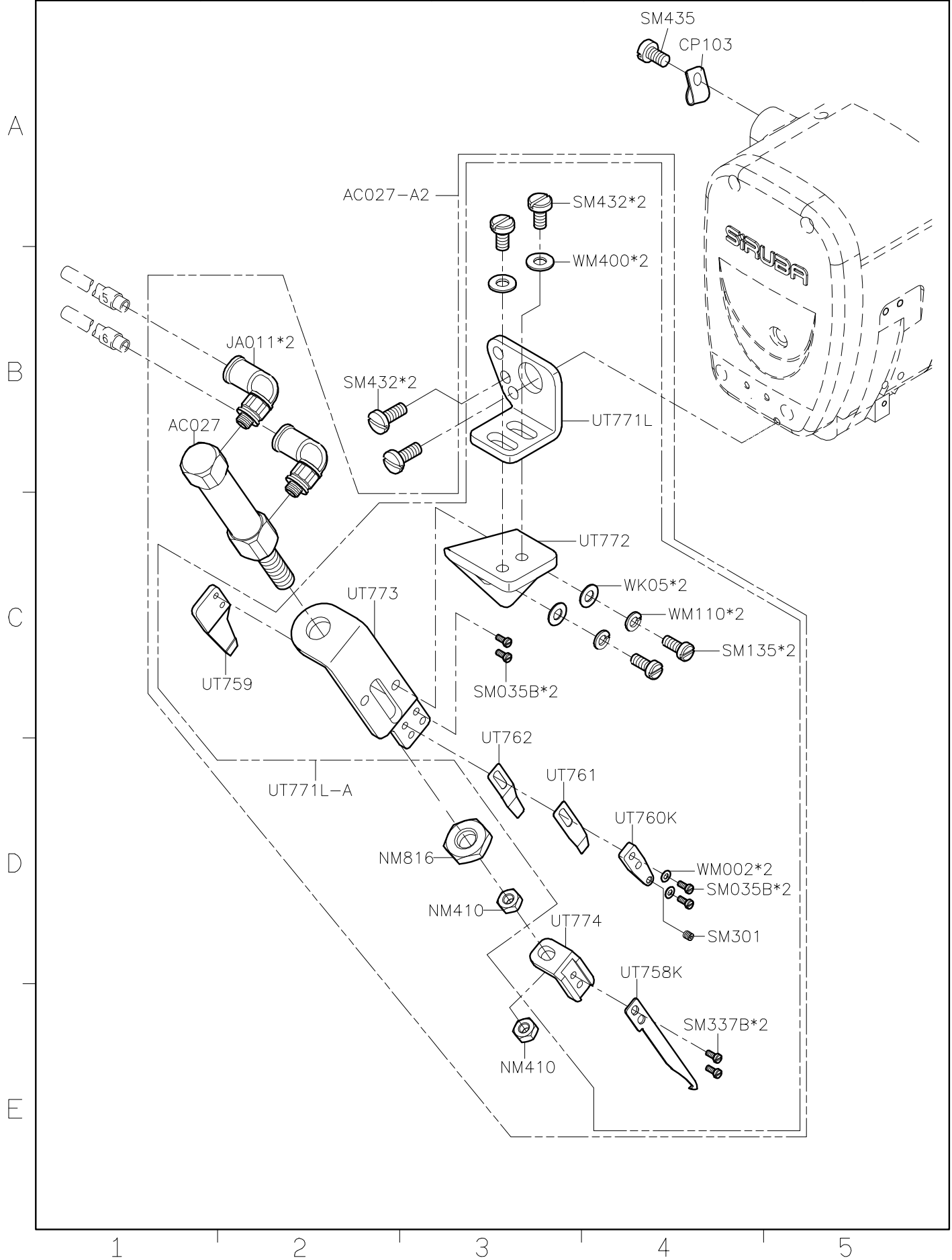
4

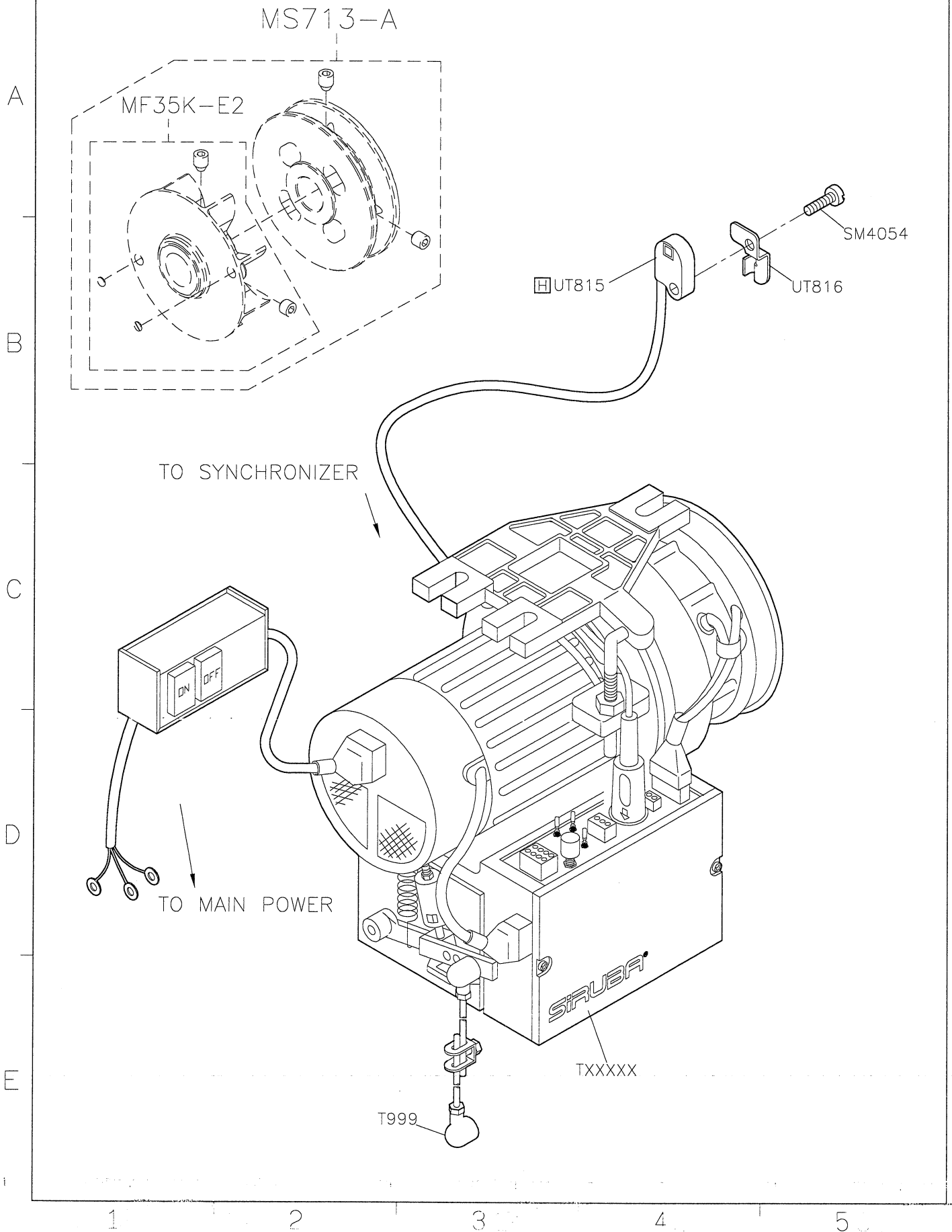
5

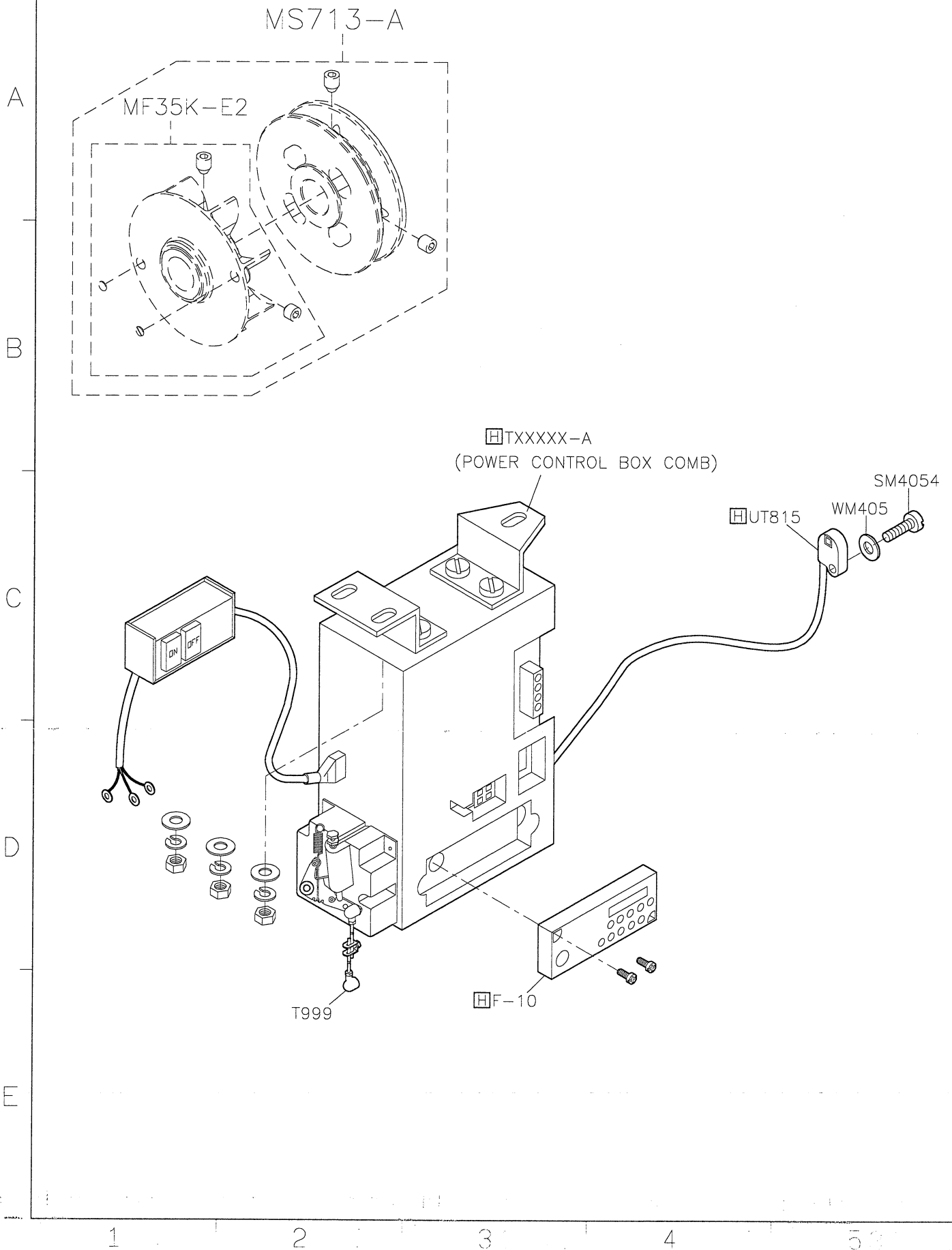
SIRUBA PARTS LIST	Series	Parts Group	Subclass / Remark	Page
	C007L/C007LX	UTQ-L	For allocation	7/11
				Date 2020/4/17



SIRUBA PARTS LIST	Series	Parts Group	Subclass / Remark	Page
	C007L/C007LX	UTP-L		8/11
				Date
				2020/5/26







**SIRUBA**

PARTS LIST

Series

C007L/C007LX

Parts Group

UTP(UTQ)-L

Subclass / Remark

For C007L/LD

T : Use for T brand motor

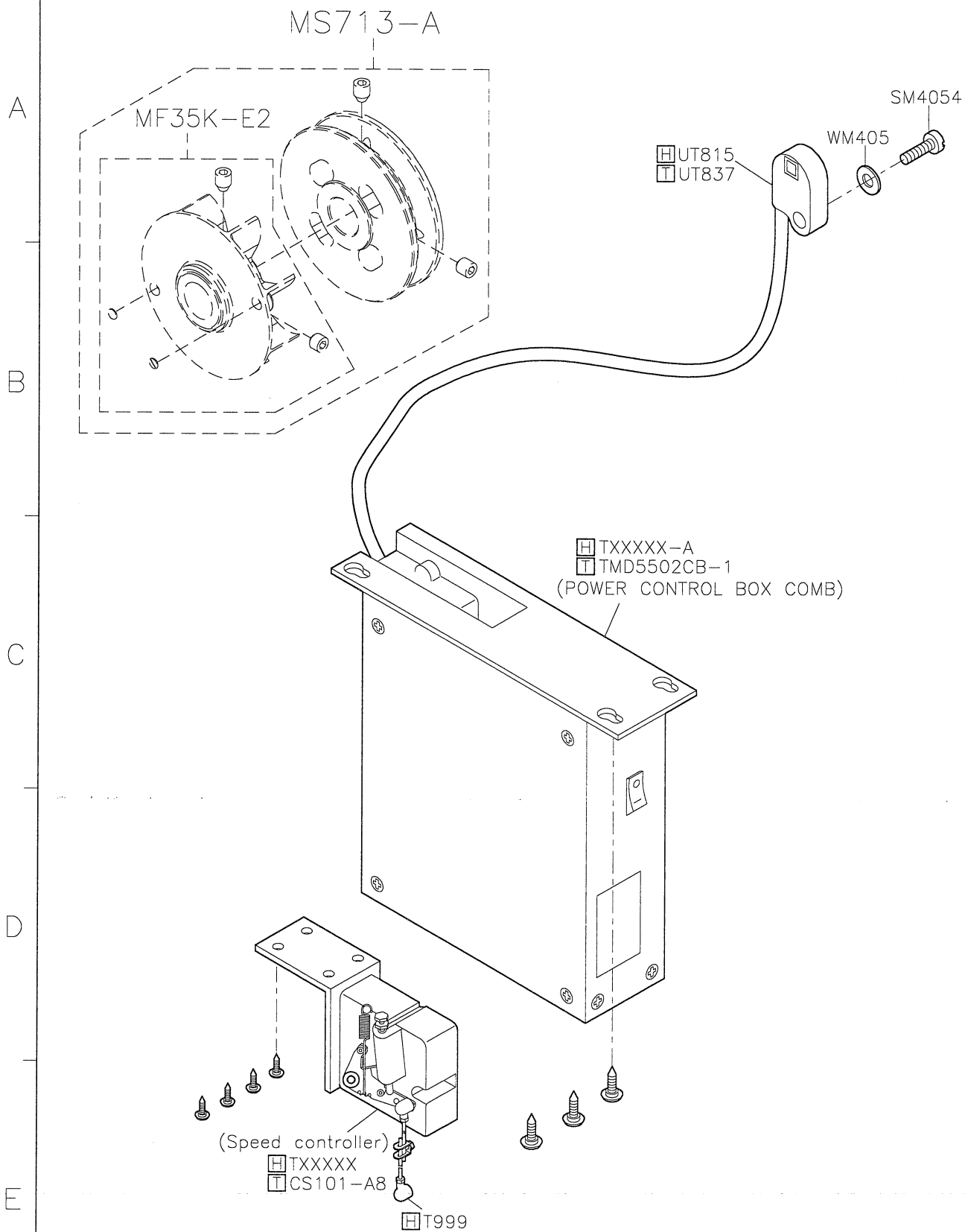
H : Use for H brand motor  
(HVP-70)

Page

11/11

Date

2019/09/18



**SIRUBA**

**PARTS LIST**

**Series**

**C007L/C007LX**

**Parts Group**

**UTR(UTS)-L**

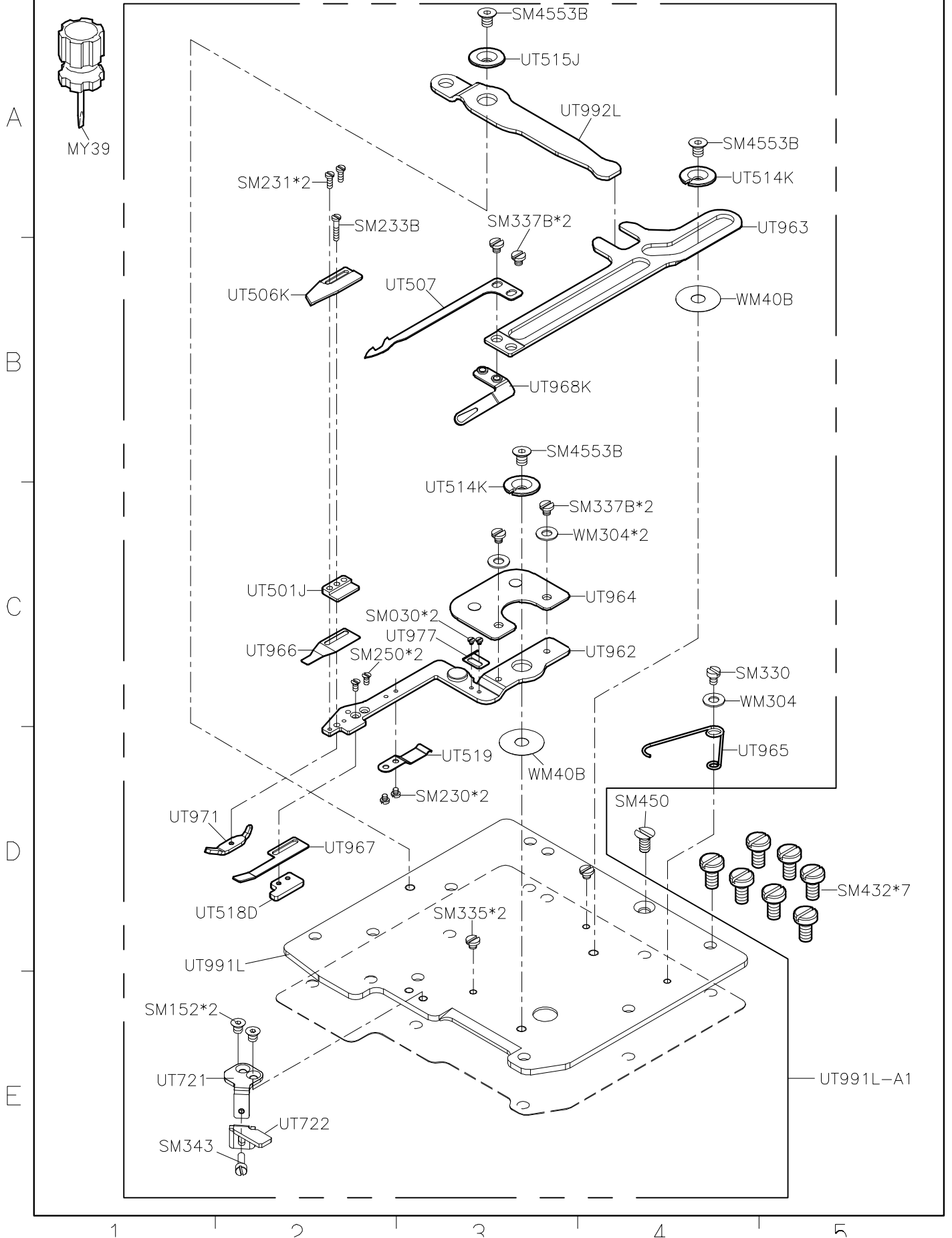
**Subclass / Remark**

**Page**

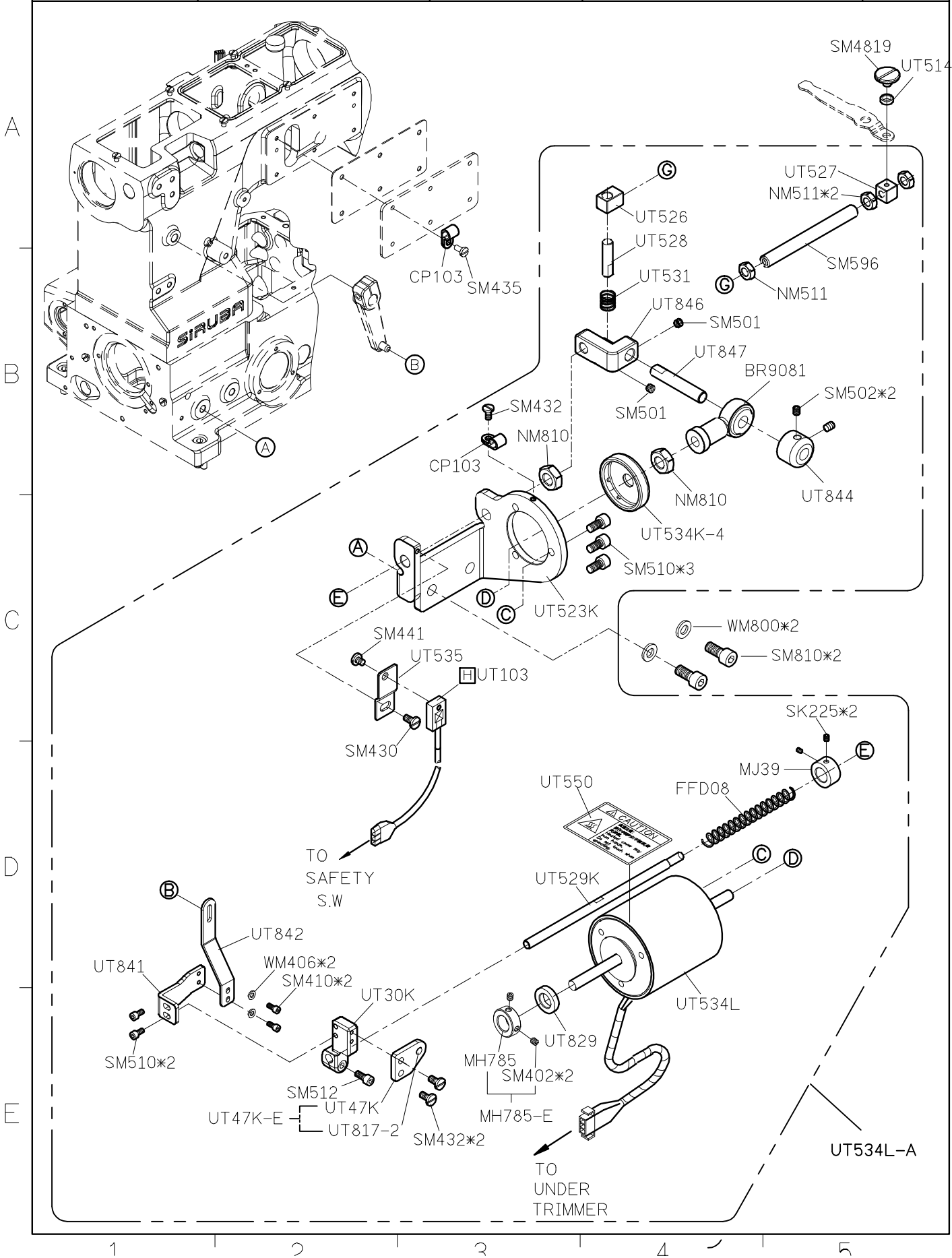
**1/10**

**Date**

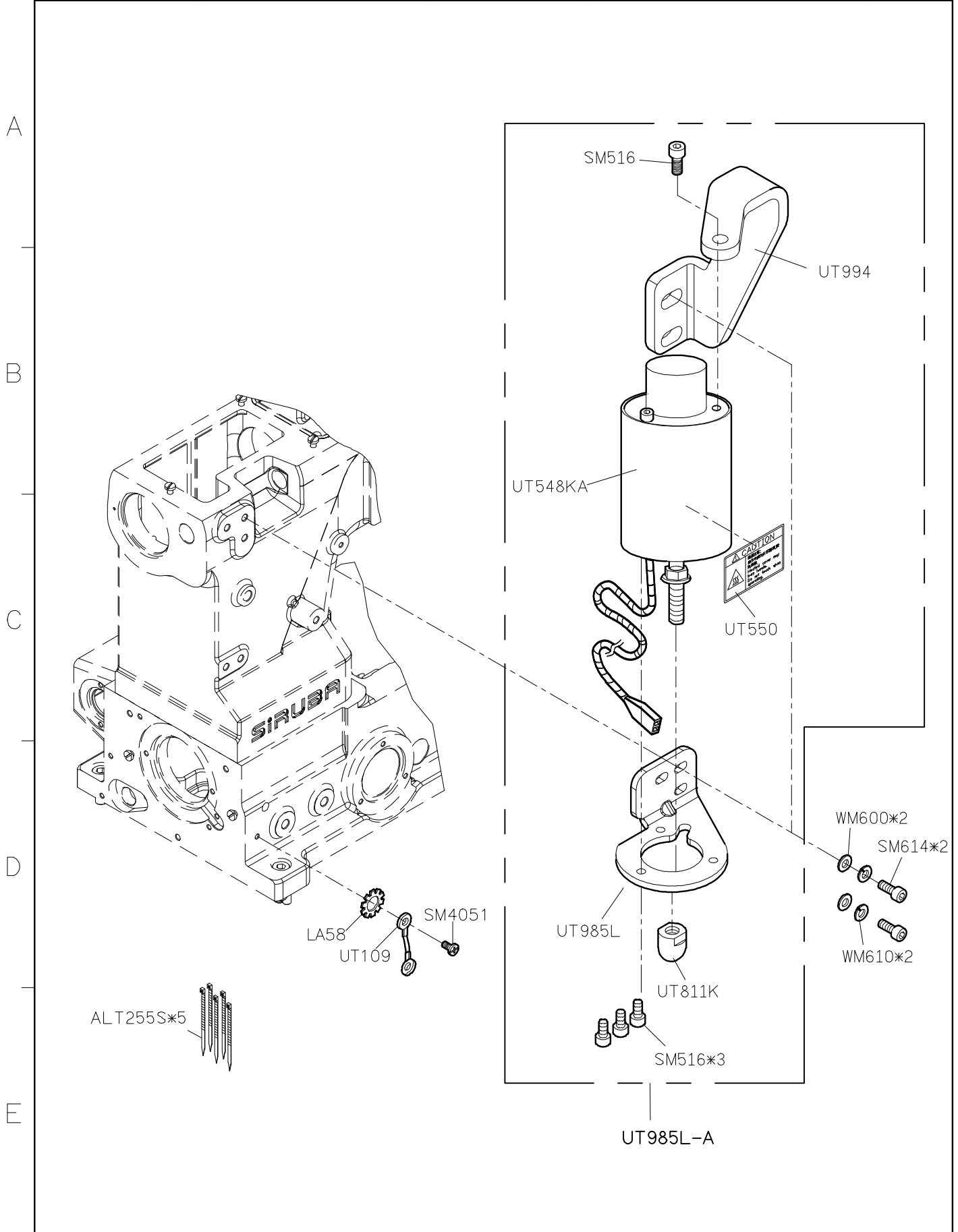
**2019/11/13**



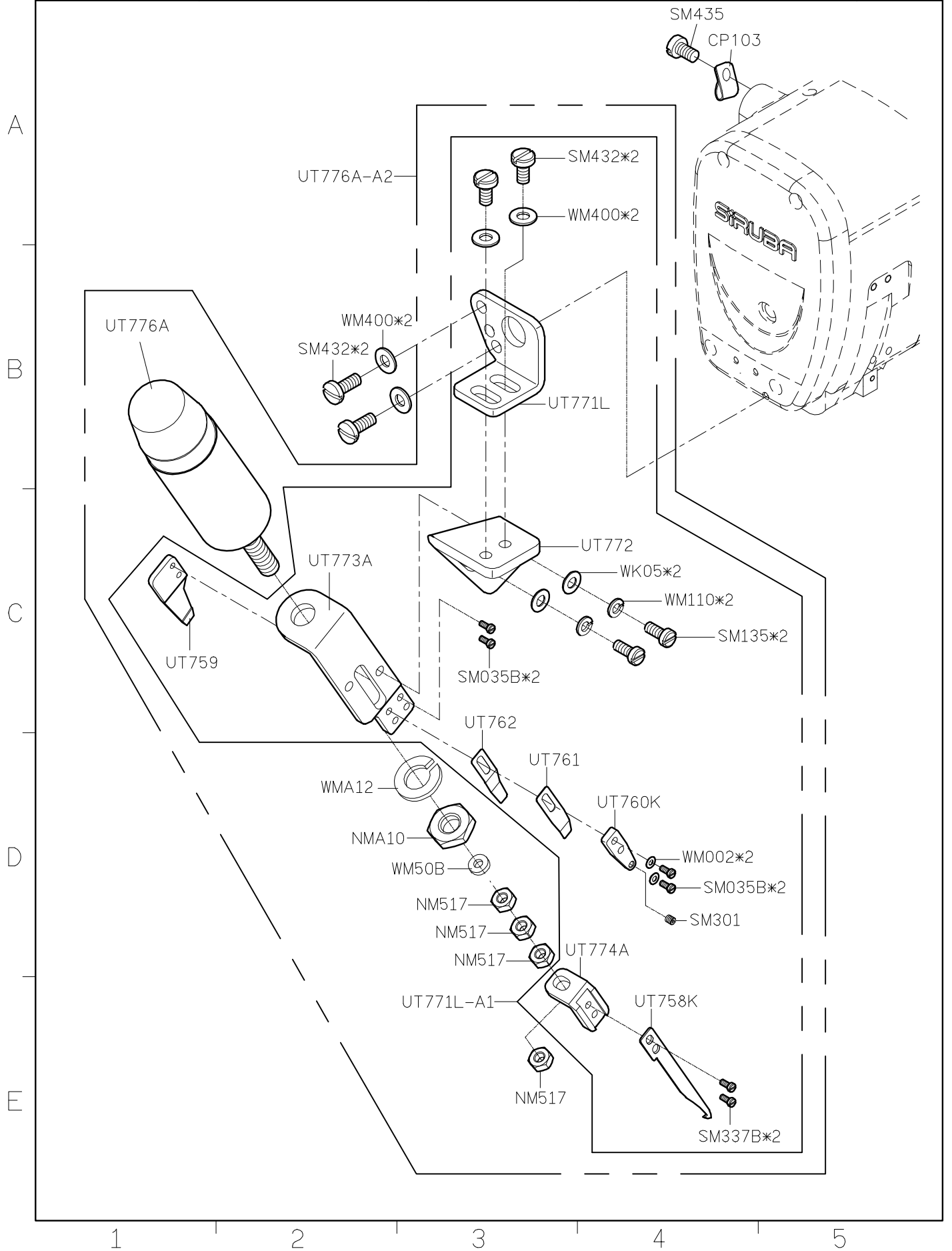
SIRUBA PARTS LIST	Series	Parts Group	Subclass / Remark	Page
	C007L/C007LX	UTR(UTS)-L	☐ : Use for H brand motor	2/10
				Date
				2022/5/5



SIRUBA PARTS LIST	Series	Parts Group	Subclass / Remark	Page
	C007L/C007LX	UTR(UTS)-L	☐ : Use for H brand motor	3/10
				Date
				2021/12/29



SIRUBA PARTS LIST	Series	Parts Group	Subclass / Remark	Page
	C007L/C007LX	UTR-L		6/10
				Date
				2021/04/20





SIRUBA PARTS LIST	Series	Parts Group	Subclass / Remark	Page
	C007L/C007LX	UTR(UTS)-L		8/10
				Date
				2021/11/23

