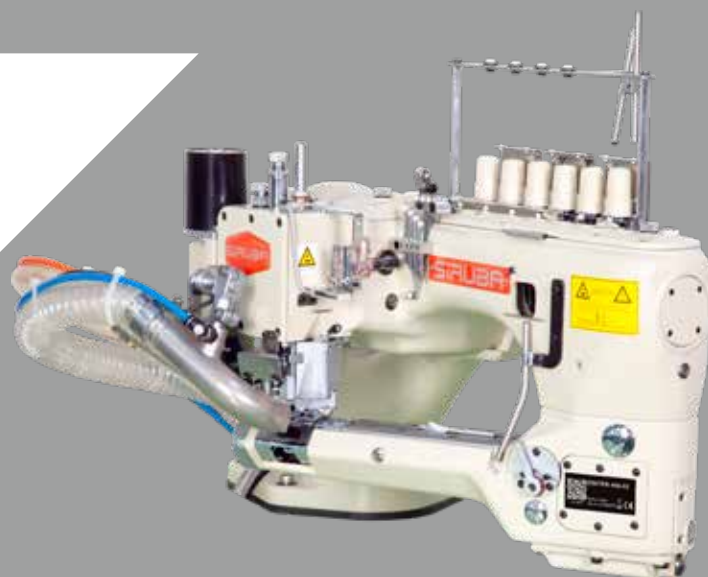


SIRUBA

零件圖

PARTS LIST

■ D007R_(B)



CONTENTS 目次

頁數

MISCELLANEOUS COVERS (1)	
機殼機構 (1).....	1
MISCELLANEOUS COVERS (2)	
機殼機構 (2).....	2
MISCELLANEOUS THREAD EYELETS-4NEEDLE	
過線機構-四針六線.....	3
MISCELLANEOUS BUSHINGS	
套管機構.....	4
MAIN SHAFT DRIVING MECHANISM	
上主軸與針棒機構.....	5
ONE SIDE CUT PRESSER FOOT MECHANISM	
單切押腳與押腳驅動機構.....	6
UPPER KNIFE , CARRIER AND HOOK DRIVING MECHANISM	
上切刀及上勾針驅動機構.....	7
LOOPER DRIVING MECHANISM	
下勾針驅動機構.....	8
FEED DRIVING MECHANISM	
送料具驅動機構.....	9
FEED DRIVING CONTROL MECHANISM	
送料具調節機構.....	10
LUBRICATING MECHANISM	
給油機構.....	11
DEIRCTLY DRIVING TYPE MINI-SERVO MOTOR C. SET	
伺服馬達機構.....	12
SUPPORTING BLOCK MECHANISM	
車台固定座機構.....	14
" AW1" DEVICE C. SET (SELECT DEVICE)	
外接式吸布屑組-AW1 (選擇配備).....	15
" EW2" DEVICE C. SET (SELECT DEVICE)	
密封式(箱型)吸布屑組-EW2 (選擇配備).....	16
THREAD STAND	
線架組.....	17

CONTENTS 目次

頁數

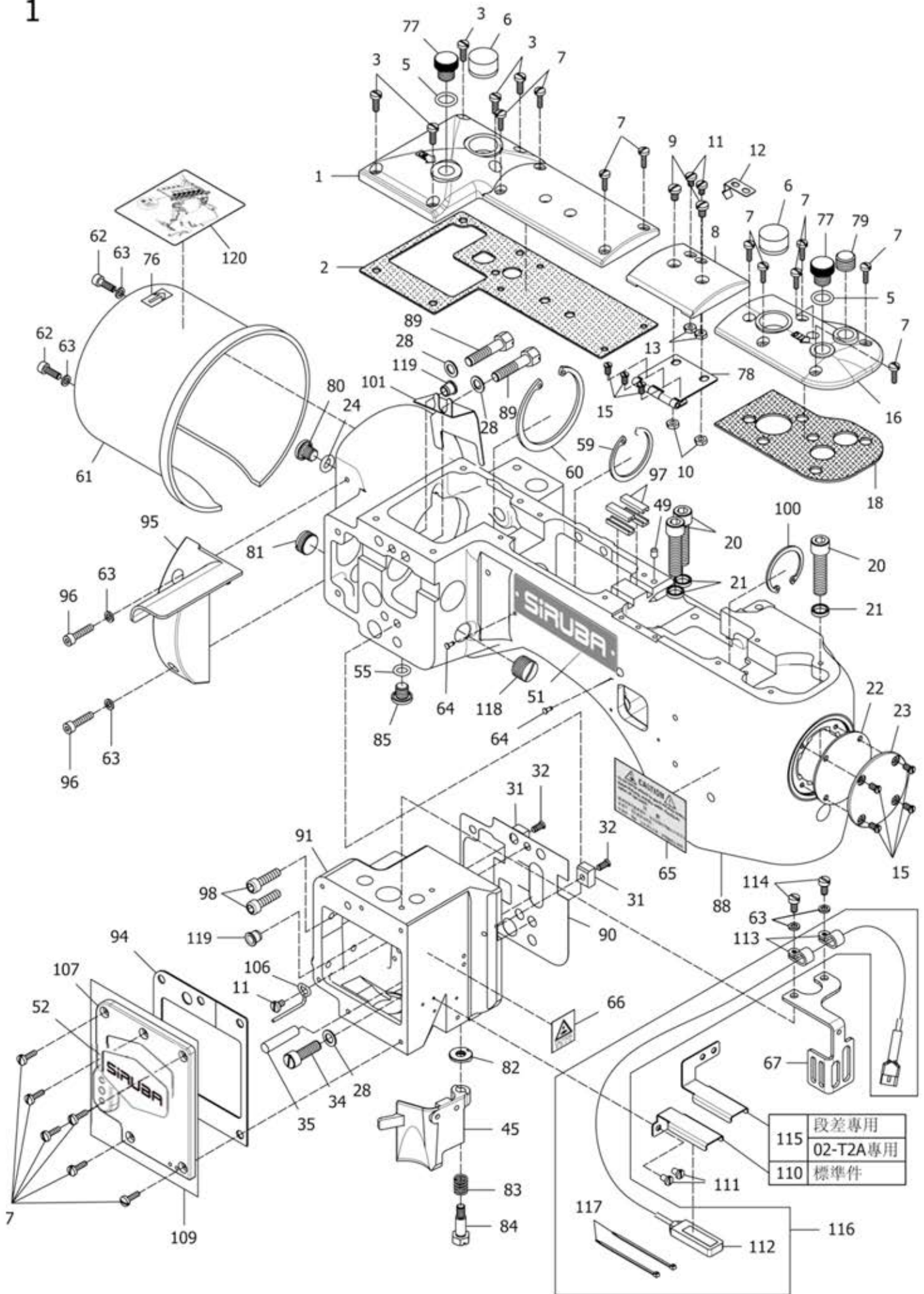
DOBLE SIDE CUT PRESSER FOOT MECHANISM	
雙切押腳機構·····	18
ATTACHMENT BOX	
附件盒·····	19
ACCESSORIES	
附件箱·····	20
SELECT DEVICE (02-T1)	
選擇配備(02-T1)-織帶·····	21
SELECT DEVICE (01-T2)	
選擇配備(01-T2)-貼條·····	22
SELECT DEVICE (S)	
選擇配備(S)-襪子·····	23
SELECT DEVICE (01-DS)-452.460	
選擇配備(01-DS)-452.460潛水衣·····	24
SELECT DEVICE(02R)	
選擇配備(02R)-弧狀車縫·····	25
SELECT DEVICE(02H)	
選擇配備(02H)-包縫過骨/特厚刷毛·····	26
SELECT DEVICE(02RH)	
選擇配備(02RH)-弧狀車縫包縫過骨·····	27
SELECT DEVICE (02-T2)	
選擇配備(02-T2) -貼條·····	28
SELECT DEVICE (FEED DOG)	
特殊勾齒(膠齒、細齒) ·····	29
SELECT DEVICE (EK PRESSER FOOT)	
選擇配備(EK)-押腳·····	31
SELECT DEVICE (MISCELLANEOUS THREAD EYELETS-5NEEDLE)	
選擇配備(過線機構-五針七線)·····	33
SELECT DEVICE (01-DS)-470.480	
選擇配備(01-DS)-470.480潛水衣·····	34
SELECT DEVICE (02-4LXX)	
選擇配備(02-4LXX)-段差厚料·····	35
SELECT DEVICE (EK)	
選擇配備(EK)-自動切線·····	36

" AW9 " DEVICE C. SET (SELECT DEVICE)	
EK集塵裝置-AW9(選擇配備).....	37
SELECT DEVICE(01-T3)	
選擇配備(01-T3)-織帶裝飾.....	38
SELECT DEVICE(T4)	
選擇配備(T4)-雙貼條.....	39
" EW10 " DEVICE C. SET (SELECT DEVICE)	
EK集塵裝置-EW10(選擇配備).....	41
" EW11 " DEVICE C. SET (SELECT DEVICE)	
筒型吸布屑組-EW11(選擇配備).....	42
SELECT DEVICE(01-T5)	
選擇配備(01-T5)-滾條裝飾車縫.....	43
SELECT DEVICE(02-T2A)	
選擇配備(02-T2A)-貼條.....	44
SELECT DEVICE(MOTOR SUPPORT)	
底座增高選配件.....	45
TABLE	
桌板圖.....	
STITCH LENGTH SPECIFICATION	
針距規格表.....	附件1

※零件本使用說明:

- 1、當零件用虛線表示，零件編號為 X-X 時，表示非該頁面零件，且僅用於輔助說明組裝位置；
例如：7-14 為第7頁、零件序號14的零件。
- 2、當零件用實線表示，零件編號為 X-X 時，表示該頁需使用此零件，但已編制在其他頁，為避免銷售人員與客戶有遺漏而繪製；例如：36-32為第36頁、零件序號32的零件。
- 3、當組件中有包含其他頁的零件時，零件用實線表示，零件編號為 X-X
例如：4-15 為第4頁、零件序號15的零件。
- 4、組件中的零件用虛線表示一律代表不包含該零件，實線則為包含。

1

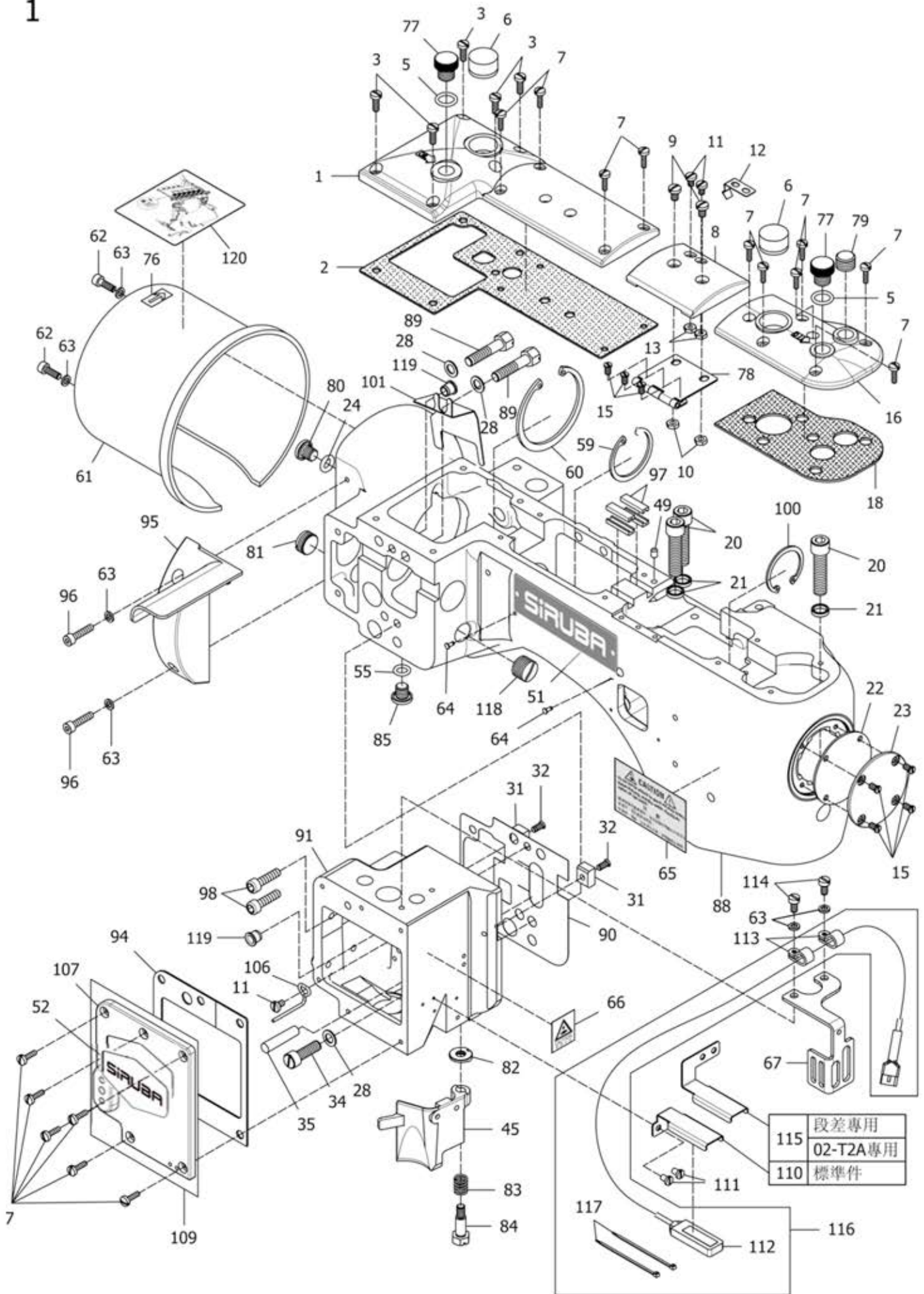


MISCELLANEOUS COVERS (1)**機殼機構 (1)****1**

Ref.	Parts			Amt.
<u>No.</u>	<u>No.</u>	<u>Description</u>	<u>品 名</u>	<u>Req.</u>
1	07400101	Crank Chamber Cover.....	曲軸室上蓋.....	1
2	07400102	Crank Chamber Cover Gasket.....	曲軸室墊片.....	1
3	07400103	Screw(11/64-40X10.5).....	螺絲.....	5
5	07400105	O-Ring.....	O型橡膠環.....	2
6	07400106	Oil Sight Top Window.....	上油鏡.....	2
7	07400107	Screw (9/64-40X10.8).....	螺絲.....	16
8	07400108	Top Cover (Middle).....	上蓋(中).....	1
9	07400109	Screw (11/64-40X6.5).....	螺絲.....	2
10	07400110	Nut.....	螺帽.....	2
11	07400111	Screw (9/64-40X5.6).....	螺絲.....	3
12	07400112	Top Cover (Middle) Spring.....	上蓋(中)彈簧.....	1
13	07400113	Nut.....	螺帽.....	2
15	07400115	Screw (9/64-40X6).....	螺絲.....	7
16	07400116	Top Cover (Front).....	上蓋(前).....	1
18	07400118	Top Cover (Front) Gasket.....	上蓋墊片(前).....	1
20	07400120	Screw (5/16-24X32).....	螺絲.....	3
21	07400121	Washer.....	墊片.....	3
22	07400122	Machine Frame End Cover Gasket.....	防油墊片.....	1
23	07400123	Machine Frame End Cover.....	前方圓蓋.....	1
24	07400124	O-Ring.....	O型橡膠環.....	1
28	07400128	Washer.....	墊片.....	3
31	07400131	Sewing Head Key.....	車台四角固定銷.....	2
32	07400132	Screw (9/64-40X8).....	螺絲.....	2
34	07400134	Screw (1/4-28X20).....	螺絲.....	1
35	07400135	Pin.....	插銷.....	1
45	★ 07400145	Frame Chip Guard.....	導布蓋.....	1
49	07400149	Oil Seal Plug.....	止油塞.....	1
51	07870110	Emblem.....	銘牌.....	1
52	07870106	Emblem.....	銘牌.....	1

★ 請參照附件1【針距規格表】

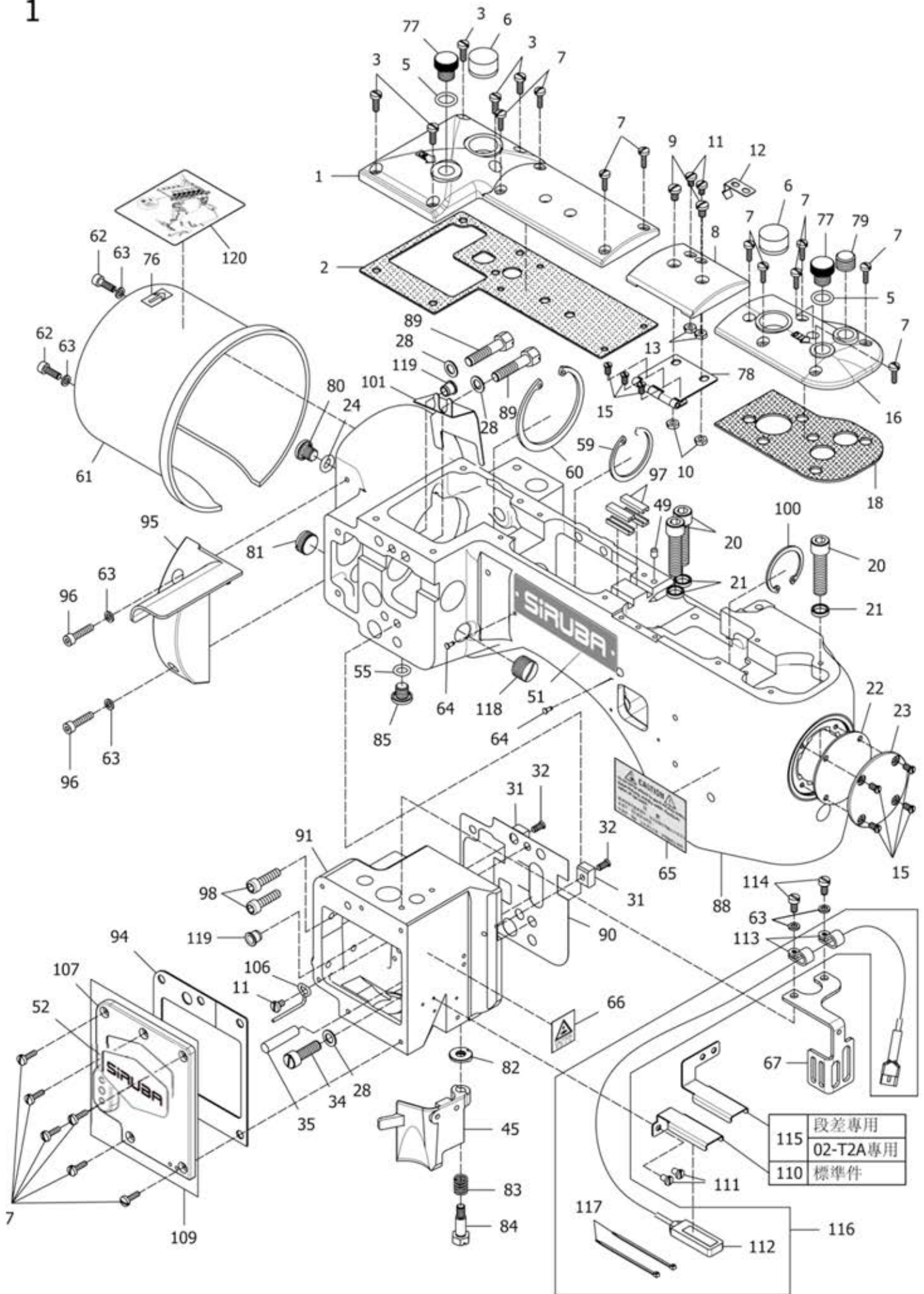
1



MISCELLANEOUS COVERS (1)**機殼機構 (1)**

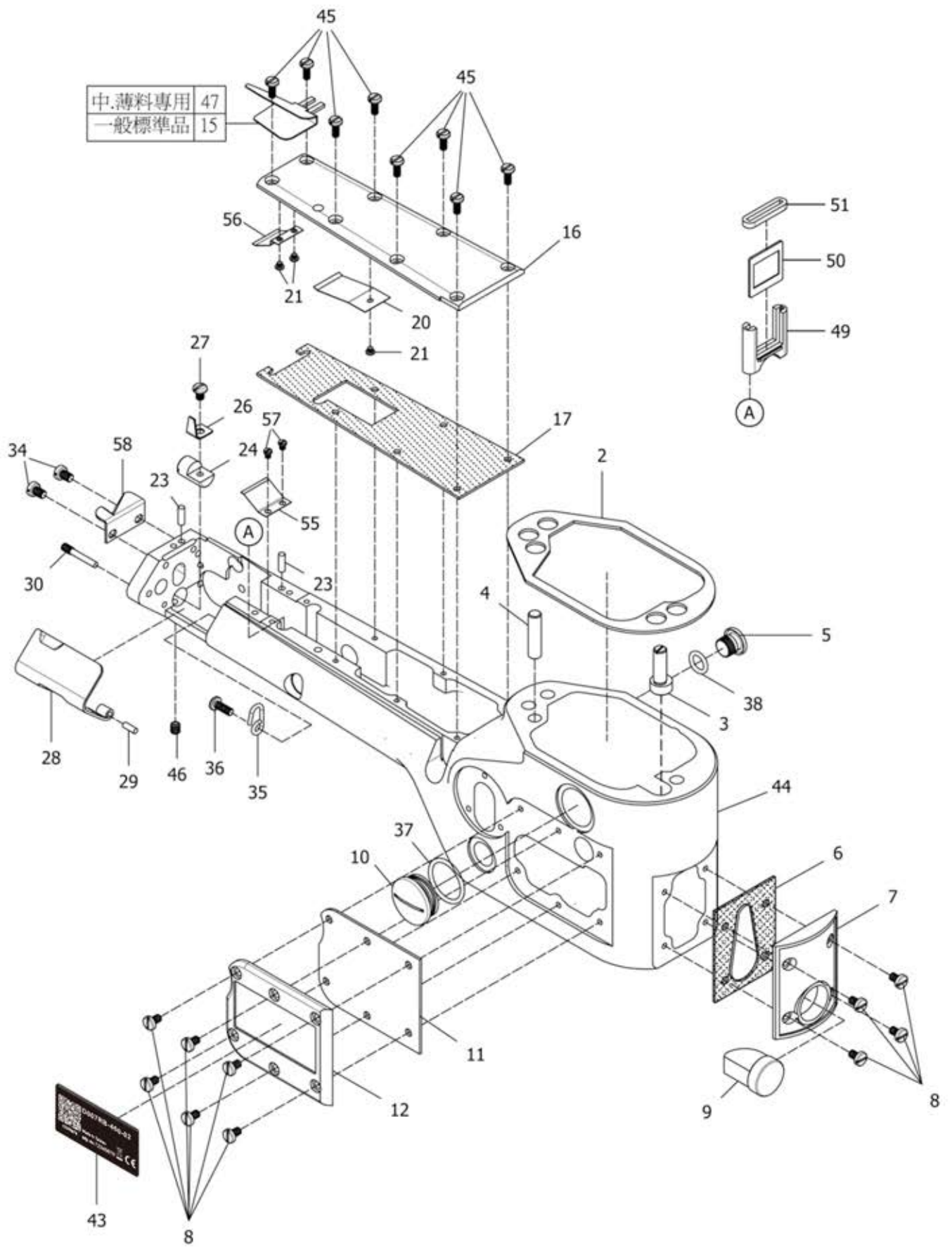
Ref.	Parts			1
<u>No.</u>	<u>No.</u>	<u>Description</u>	<u>品 名</u>	<u>Amt.</u> <u>Req.</u>
55	07400155	O-Ring.....	O型橡膠環.....	1
59	07400159	Retaining Ring.....	扣環.....	1
60	07400160	Retaining Ring.....	扣環.....	1
61	07400161	Motor Cover.....	馬達護蓋.....	1
62	07870623	Screw (M4-0.7X12).....	螺絲.....	2
63	07870650	Washer.....	墊片.....	6
64	07870111	Rivet.....	鉚釘.....	2
65	07400165	Warning Sticker.....	警告貼紙.....	1
66	07400166	Warning Sticker.....	警告貼紙.....	1
67A	★ 07400167A	Cover.....	打線器護蓋.....	1
76	07400176	Direction Sticker.....	箭頭貼紙.....	1
77	07400177	Screw(M12-1.75X9).....	螺絲.....	2
78	07400178	Top Cover (Middle) Hinge.....	上翻蓋.....	1
79	07400179	Plug Screw (M12-1.75X7).....	止油螺絲.....	1
80	07400180	Screw (3/8-24X8).....	螺絲.....	1
81	07400181	Plug Screw (M14-1X4).....	止油螺絲.....	1
82	07400182	Frame Chip Guard Washer.....	導布蓋固定墊片.....	1
83	07400183	Frame Chip Guard Spring.....	導布蓋彈簧.....	1
84	07400184	Screw (M5-0.8X8.5).....	螺絲.....	1
85	07400185	Screw (M8-1.25X8).....	螺絲.....	1
88	07400188	Machine Frame.....	機殼.....	1
89	07400189	Screw (1/4-28X17.5).....	螺絲.....	2
90	07400190	Sewing Head Oil Defense.....	車台結合防油擋板.....	1
91	07400191	Sewing Head.....	車頭.....	1
94	07400194	Seal Gasket.....	止油墊片.....	1
95	07400195	Cover.....	馬達側蓋.....	1
96	07870724	Screw (M4-0.7X18).....	螺絲.....	2
97	07400197	Rubber Block.....	橡膠塊.....	4
98	07801319	Screw (M5-0.8X20).....	螺絲.....	2
100	074001100	Retaining Ring.....	扣環.....	1
101	074001101	Crank Chamber Cover Oil Shield.....	上座防油擋板.....	1

★ 請參照附件1【針距規格表】



MISCELLANEOUS COVERS (1)**機殼機構 (1)****1**

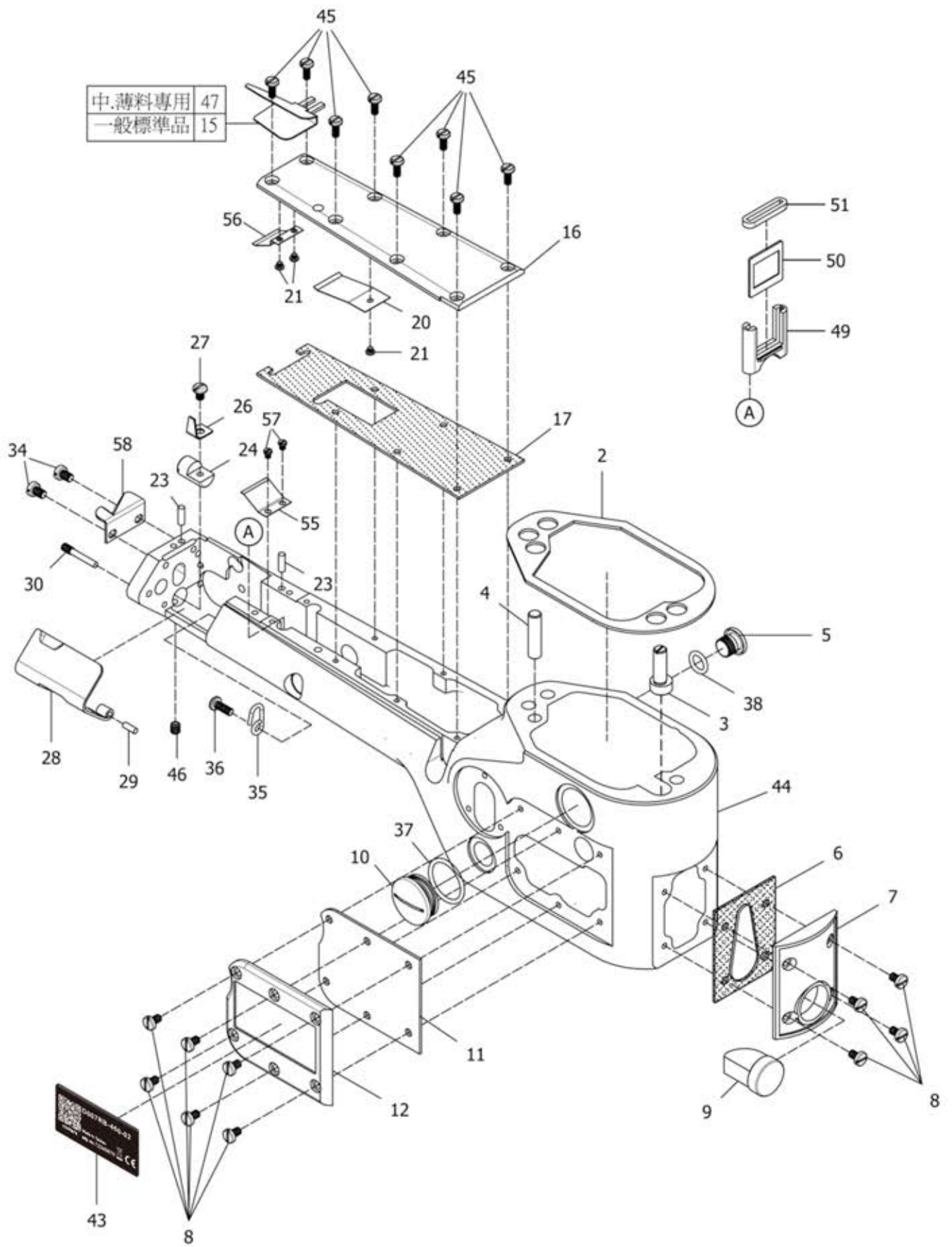
Ref.	Parts			Amt.
<u>No.</u>	<u>No.</u>	<u>Description</u>	<u>品 名</u>	<u>Req.</u>
106	074001106	Oil Guide Wire.....	導油棉線固定架.....	1
107	074001107	Sewing Head Cover(Left).....	車頭蓋(左).....	1
109	074001109	Sewing Head Cover(Left) C.Set.....	車頭蓋(左)組.....	1
110	074001110	LED Lamp Holder.....	LED 燈座(標準件).....	1
111	07870534	Screw (9/64-40X4).....	螺絲.....	2
112	074001112	LED Lamp.....	LED 燈.....	1
113	074001113	Cable Clamp.....	配線固定鈕.....	2
114	07870706	Screw (M4-0.7X10).....	螺絲.....	2
115	074001115	LED Lamp Holder.....	LED 燈座(段差和02-T2A專用)...	1
116	130104003	LED Lamp C.Set.....	LED 燈組.....	1
117	074001117	Ties.....	束線帶.....	2
118	074001118	Plug Screw (M14-1X11.5).....	止油螺絲.....	1
119	074001119	Bushing.....	襯套.....	2
120	074001120	Treading Sticker.....	穿線圖貼紙.....	1



MISCELLANEOUS COVERS (2)**機殼機構 (2)****2**

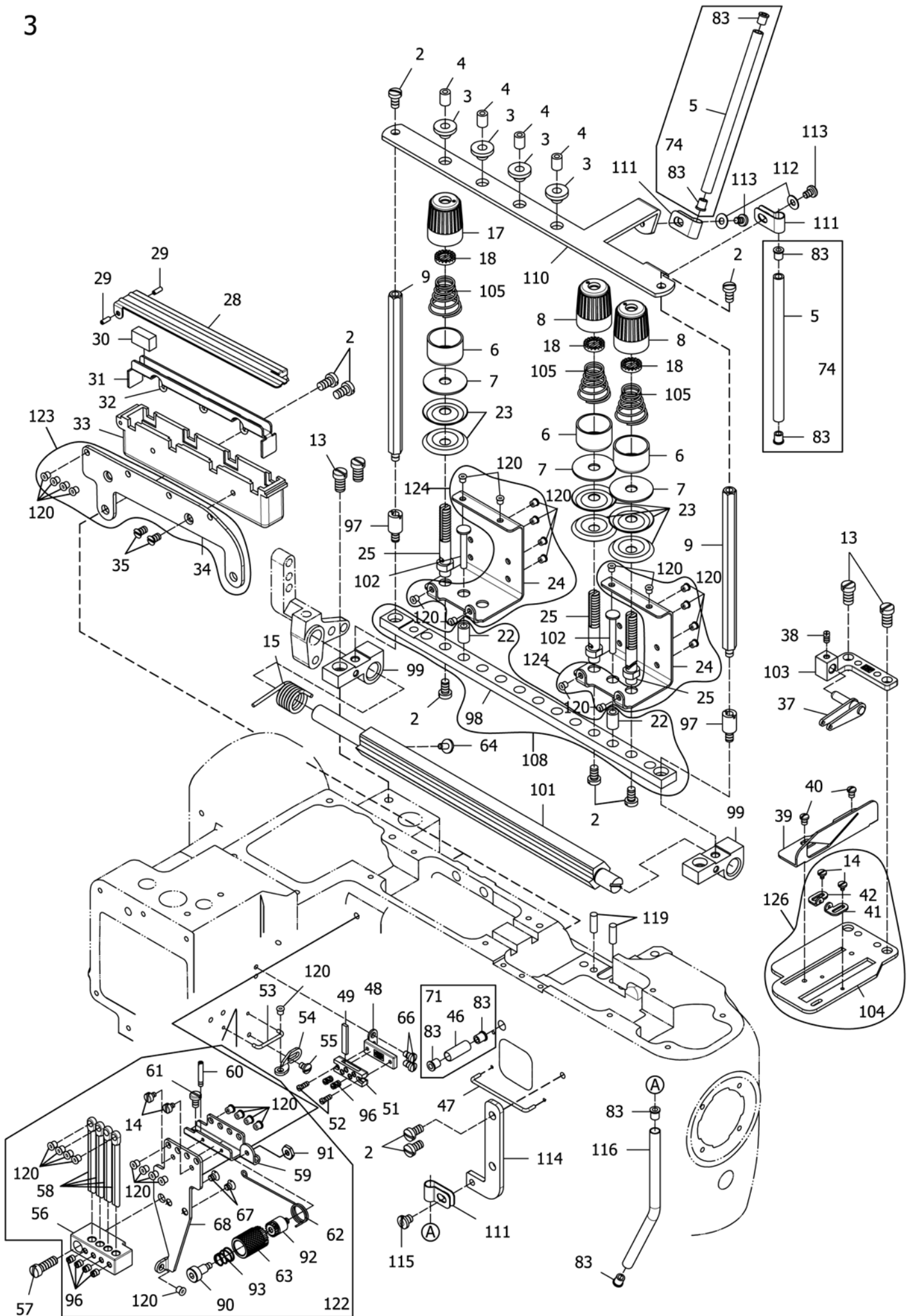
Ref.	Parts			Amt.
No.	No.	Description	品 名	Req.
2	07400202	Sewing Head Oil Defense.....	防油擋板.....	1
3	07400203	Alignment Pin.....	調節插銷.....	1
4	07400204	Knock Pin.....	頂出銷.....	1
5	07400205	Screw(3/8-24X8).....	螺絲.....	1
6	07400206	Seal Gasket.....	止油墊片.....	1
7	07400207	Cylinder Frame Cover (Front).....	前蓋.....	1
8	07400208	Screw (9/64-40X8).....	螺絲.....	10
9	07400209	Oil Gauge.....	油錶.....	1
10	07400210	Screw (M22-1.5X7).....	螺絲.....	1
11	07400211	Seal Gasket.....	止油墊片.....	1
12	07400212	Cylinder Frame Cover (Left).....	左蓋.....	1
15	07400215	Folder.....	導布器(標準件).....	1
16A	★ 07400216A	Cylinder Frame Cover (Upper).....	上蓋.....	1
17A	07400217A	Seal Gasket.....	止油墊片.....	1
20	07400220	Dust Defender (Upper).....	防塵蓋(上).....	1
21	07400221	Screw (3/32-56X1.8).....	螺絲.....	3
23	07400223	Pin.....	插銷.....	2
24	07400224	Looper Cover Spring Support.....	彈簧片座.....	1
26	07400226	Looper Cover Spring.....	下勾針蓋彈簧片.....	1
27	07400227	Screw (9/64-40X5).....	螺絲.....	1
28	07400228	Looper Cover.....	下勾針蓋.....	1
29	07400229	Pin.....	插銷.....	1
30	07400230	Screw (9/64-40X5.7).....	螺絲.....	1
34	07400234	Screw (M4-0.7X5.7).....	螺絲.....	2
35	07400235	Looper Thread Guide Wire.....	過線圈.....	1
36	07400236	Screw (9/64-40X10).....	螺絲.....	1
37	07400237	O-Ring.....	O型橡膠環.....	1
38	07400238	O-Ring.....	O型橡膠環.....	1
43	07400243	Model Plate.....	型號銘牌.....	1
44	07400244	Cylinder Frame.....	圓筒部機殼.....	1
45	07400245	Screw (1/8-44X10).....	螺絲.....	8

★ 請參照附件1【針距規格表】



MISCELLANEOUS COVERS (2)**機殼機構 (2)****2**

Ref.	Parts			Amt.
<u>No.</u>	<u>No.</u>	<u>Description</u>	<u>品 名</u>	<u>Req.</u>
46	07400246	Screw (11/64-40X6).....	螺絲.....	1
47	07400247	Folder.....	導布器(中薄布料專用).....	1
49	07400249	Oil Seal Holder.....	油封座.....	1
50	07400250	Oil Seal.....	油封.....	2
51	07400251	Oil Seal Cover.....	油封蓋.....	1
55	07400255	Dust Defender (Lower).....	防塵蓋(下).....	1
56	07400256	Dust Defender (Upper).....	防塵蓋(上).....	1
57	07203443	Screw (M2.5-0.45X3).....	螺絲.....	2
58	07400258	Chain-off Cutting Knife.....	割線刀.....	1

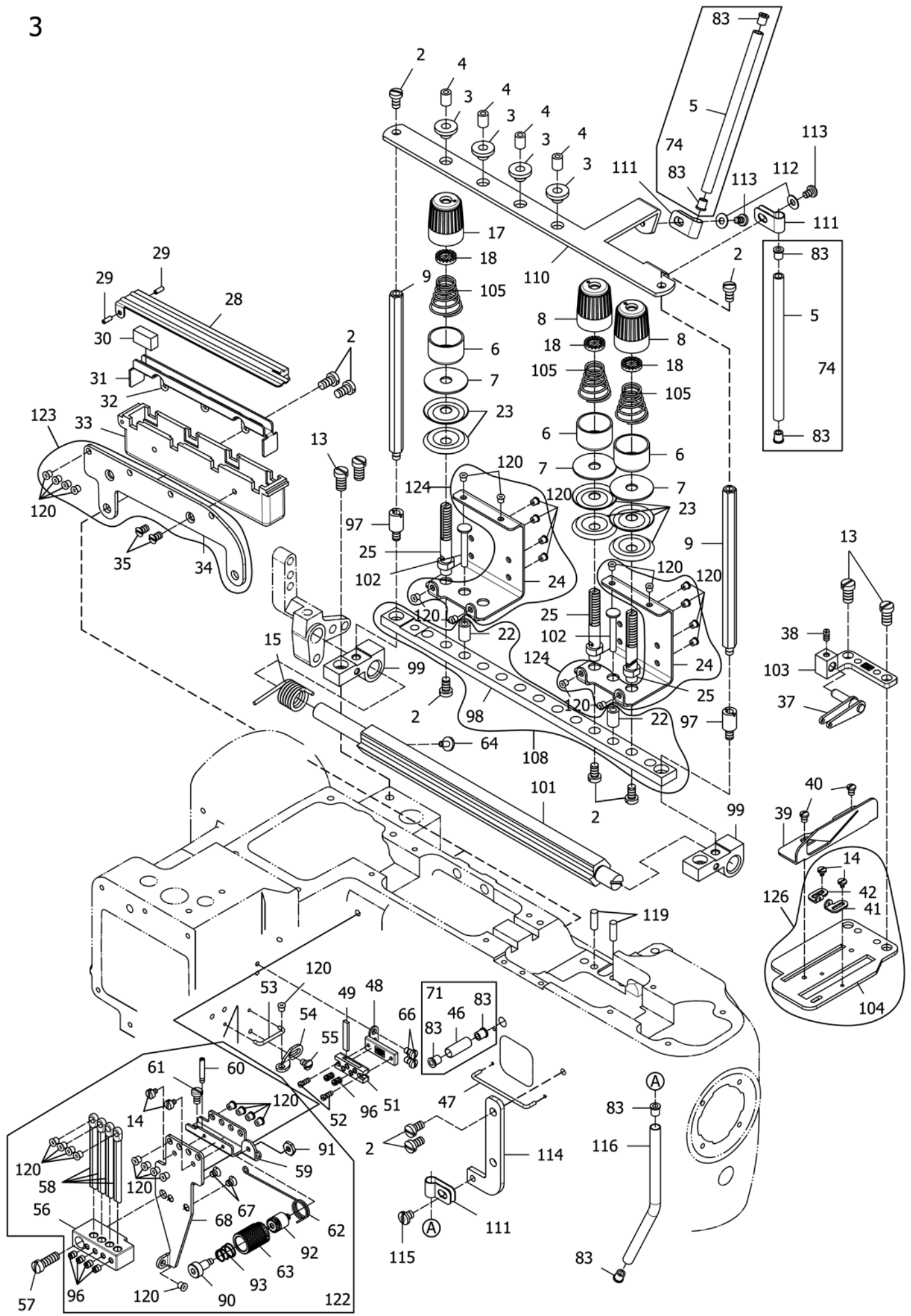


MISCELLANEOUS THREAD EYELETS-4NEEDLE

過線機構-四針六線

3

Ref.	Parts			Amt.
No.	No.	Description	品 名	Req.
2	07400302	Screw (11/64-40X7.8).....	螺絲.....	12
3	07400303	Thread Eyelet Bushing.....	過線孔套圈.....	4
4	07400304	Thread Eyelet.....	過線孔.....	4
5	07870321	Thread Pipe (Long).....	過線管(長).....	2
6	07870306	Spring Retainer.....	彈簧固定座.....	6
7	07870307	Felt.....	氈墊.....	6
8	07870343	Spring Cap.....	彈簧調整鈕.....	2
9	07400309	Thread Guide Plate Support.....	線架板支撐棒.....	2
13	07400313	Screw (7/32-32X10).....	螺絲.....	4
14	07400314	Screw (3/32-56X3.1).....	螺絲.....	4
15	07400315	Tension Release Shaft Spring.....	張力釋放軸彈簧.....	1
17	07870301	Spring Cap.....	彈簧調整鈕.....	4
18A	07870302A	Tension Spring Disc Support.....	張力彈簧調整圓盤.....	6
22	07400322	Tension Release Pin Bushing.....	張力釋放插銷套管.....	7
23	07400323	Thread Tension Disc.....	張力調整盤.....	12
24B	07400324B	Thread Tension Disc Eyelet.....	張力調整過線架.....	3
25A	07400325A	Tension Post.....	張力彈簧支柱.....	6
28	07400328	Oil Cup Lip.....	矽油儲存槽蓋.....	1
29	07870328	Hinge Pin.....	鉸鏈插銷.....	2
30	07400330	SP Felt.....	SP吸油氈.....	4
31	07400331	SP Felt Stay.....	SP吸油氈支柱.....	1
32	07400332	Oil Wick.....	油芯.....	1
33	07400333	SP Container.....	矽油儲存槽.....	1
34B	07400334B	SP Container Support.....	矽油儲存槽固定座.....	1
35	07400335	Screw (9/64-40X4.6).....	螺絲.....	2
37	07400337	Thread Take-up Eyelet.....	提線桿.....	1
38	07400338	Screw (1/8-44X5).....	螺絲.....	1
39	07400339	Looper Thread Take-up Guide.....	下勾針提線桿護架.....	1
40	07870366	Screw (1/8-44X4.3).....	螺絲.....	2
41	07400341	Looper Thread Take-up Eyelet(Front).....	下勾針提線桿.....	1
42	07400342	Looper Thread Take-up Eyelet(Rear).....	下勾針提線桿.....	1

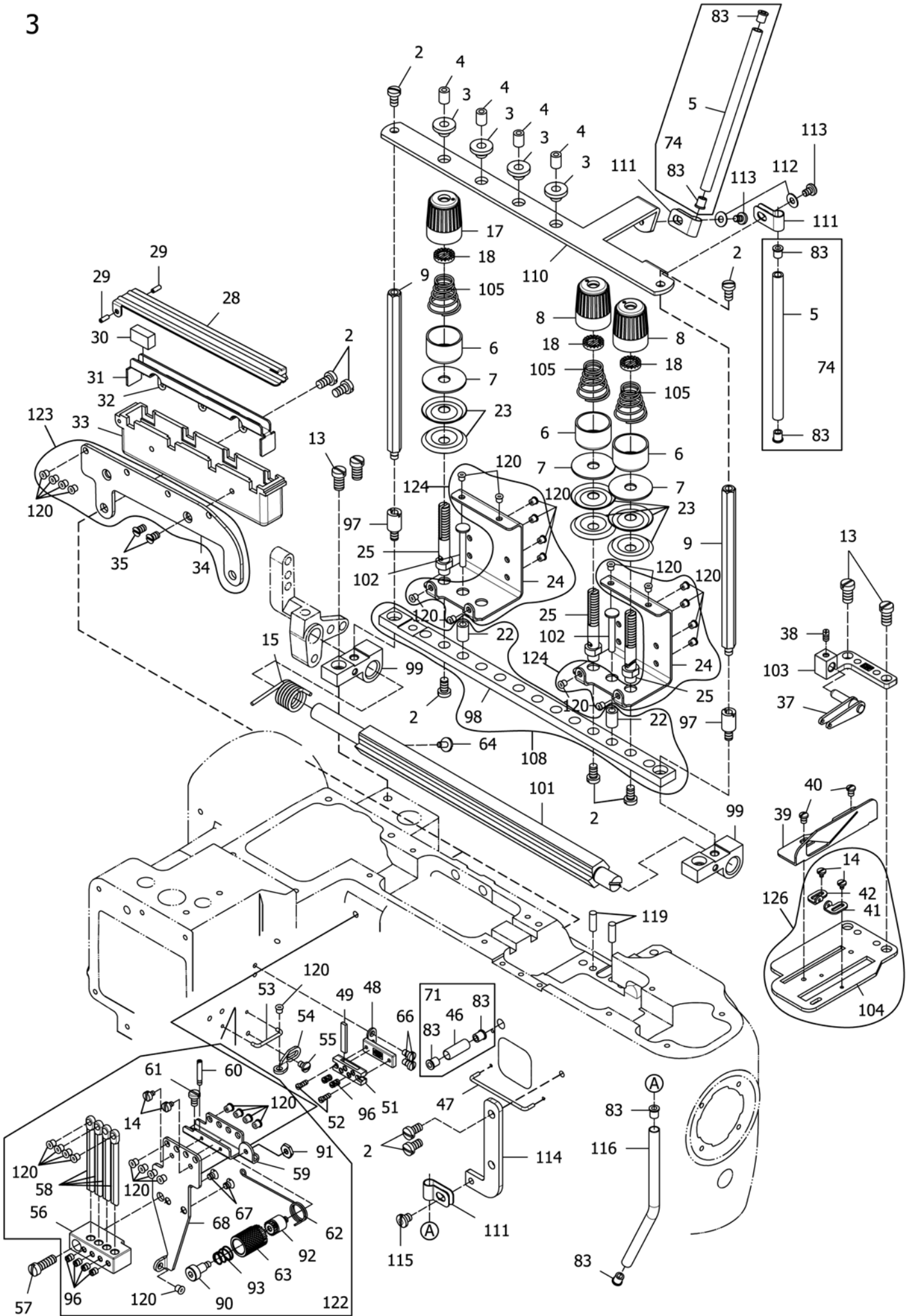


MISCELLANEOUS THREAD EYELETS-4NEEDLE

過線機構-四針六線

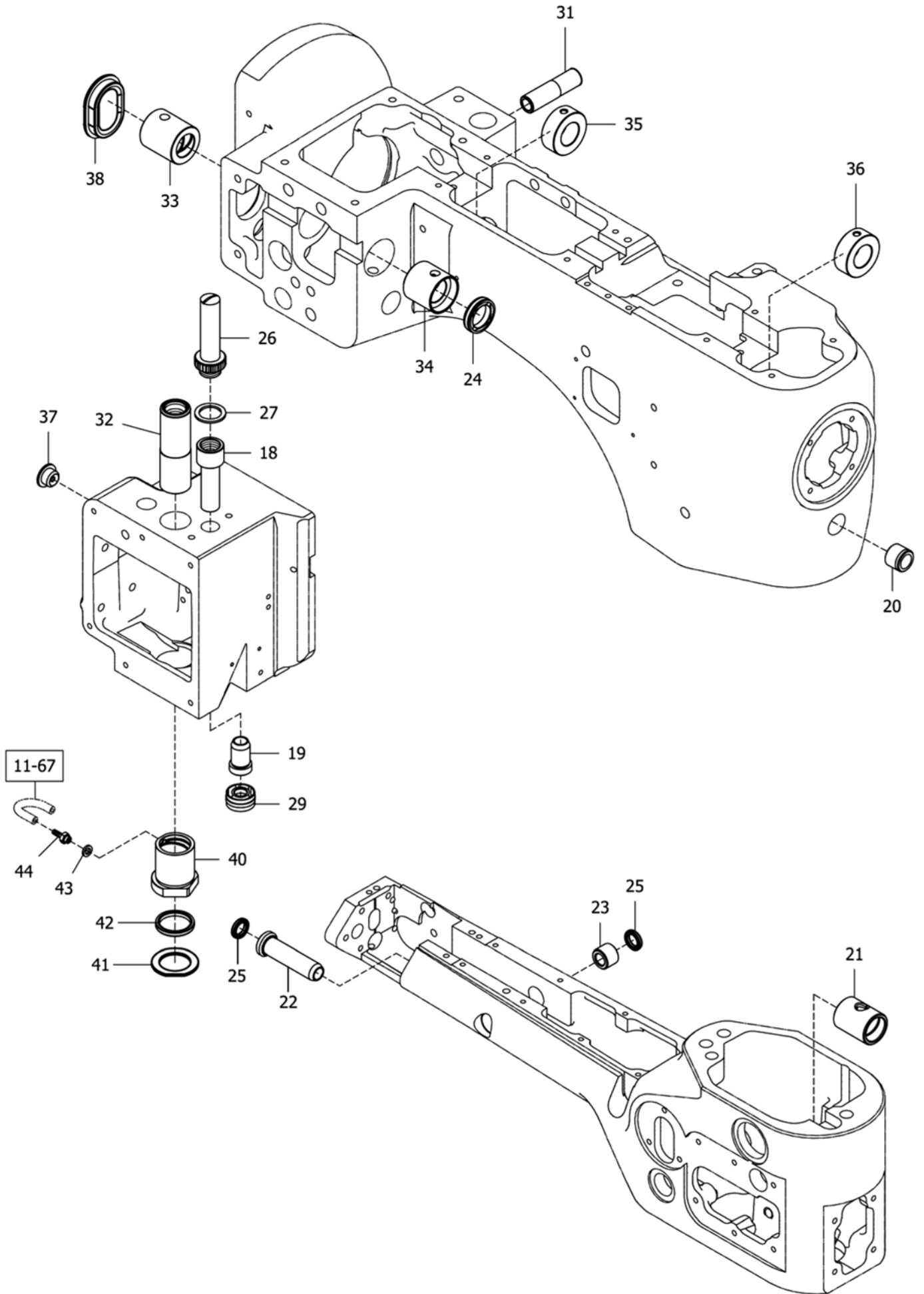
3

Ref.	Parts			Amt.
<u>No.</u>	<u>No.</u>	<u>Description</u>	<u>品 名</u>	<u>Req.</u>
46	07400346	Top Cover Thread Pipe.....	上飾線過線導管.....	1
47	07400347	Looper Thread Guide Wire (Upper).....	下勾針線導架金屬線.....	1
48A	07400348A	Needle Thread Strike-off Pin Holder Bracket...	打線片固定架.....	1
49A	07400349A	Needle Thread Strike-off Pin.....	打線片.....	4
51A	07400351A	Needle Thread Strike-off Pin Holder.....	打線片固定座.....	1
52	07400352	Screw (3/32-56X6.2).....	螺絲.....	2
53	07400353	Needle Thread Guide Wire.....	針線導架金屬線.....	1
54B	07400354B	Head Cover Thread Eyelet.....	車台前蓋過線孔.....	1
55	07400355	Screw (1/8-44X4.4).....	螺絲.....	1
56A	07400356A	Needle Thread Eyelet Holder.....	針線過線棒座.....	1
57	07400357	Screw (11/64-40X13).....	螺絲.....	1
58B	078703101	Needle Thread Eyelet.....	針線過線棒.....	4
59B	07400359B	Stitch Unlocker Mounting Bracket.....	過線架.....	1
60	07400360	Screw (M2.3-0.4X3).....	螺絲.....	1
61	07400361	Screw (1/8-44X5.9).....	螺絲.....	1
62	07400362	Stitch Unlocking Spring.....	過線彈簧.....	1
63	07400363	Stitch Unlocking Spring Holder.....	過線彈簧調節鈕.....	1
64	07400364	Screw (1/8-44X6.4).....	螺絲.....	1
66	07400366	Screw (1/8-44X5.6).....	螺絲.....	2
67	07400367	Screw (1/8-44X2.7).....	螺絲.....	2
68B	07400368B	Stitch Unlocking Holder.....	過線座.....	1
71	07400371	Top Cover Thread Pipe C.Set.....	上飾線過線導管組.....	1
74	07400374	Thread Pipe C.Set (Long).....	過線管組(長).....	2
83	07870363	Thread Eyelet.....	過線陶瓷(深灰).....	8
90	07400390	Screw (M3-0.5X4).....	螺絲.....	1
91	07400391	Nut.....	螺帽.....	1
92	07400392	Screw (1/8-44X3.8).....	螺絲.....	1



MISCELLANEOUS THREAD EYELETS-4NEEDLE**過線機構-四針六線****3**

Ref.	Parts			Amt.
<u>No.</u>	<u>No.</u>	<u>Description</u>	<u>品 名</u>	<u>Req.</u>
93	07400393	Stitch Unlocking Spring.....	過線彈簧.....	1
96	07870319	Screw (1/8-44X2.6).....	螺絲.....	8
97	07400397	Screw (11/64-40X7).....	螺絲.....	2
98	07400398	Thread Tension Support.....	上線張力固定座.....	1
99	07400399	Thread Tension Support Bracket.....	上線張力固定座支架.....	2
101	074003101	Tension Release Shaft.....	張力釋放軸.....	1
102	074003102	Tension Release Pin.....	張力釋放插銷.....	7
103	074003103	Thread Take-up Eyelet Holder.....	提線桿托架.....	1
104	074003104	Eyelet Supporting Plate.....	提線桿固定板.....	1
105	07870372	Needle Thread Tension Spring.....	針線張力彈簧.....	6
108	074003108	Thread Tension Support C.Set.....	上線張力固定座組.....	1
110	074003110	Thread Guide Plate.....	線架板.....	1
111	074003111	Tube Clip.....	管夾.....	3
112	07401125	Washer.....	墊片.....	2
113	07400227	Screw (9/64-40X5).....	螺絲.....	2
114	07410334	Looper Thread Guide.....	下勾針線導架.....	1
115	07410345	Screw (11/64-40X5).....	螺絲.....	1
116	074003116	Thread Pipe.....	過線管.....	1
119	07201106	Pin.....	插銷.....	2
120	07870398	Thread Eyelet.....	過線陶瓷(白).....	42
122	074003122	Needle Thread Eyelet C.Set.....	針線過線棒組.....	1
123	074003123	SP Container Support C.Set.....	矽油儲存槽固定座組.....	1
124	074003124	Thread Tension Disc Eyelet C.Set.....	張力調整過線架組.....	3
126	074003126	Eyelet Supporting Plate C.Set.....	提線桿固定板組.....	1

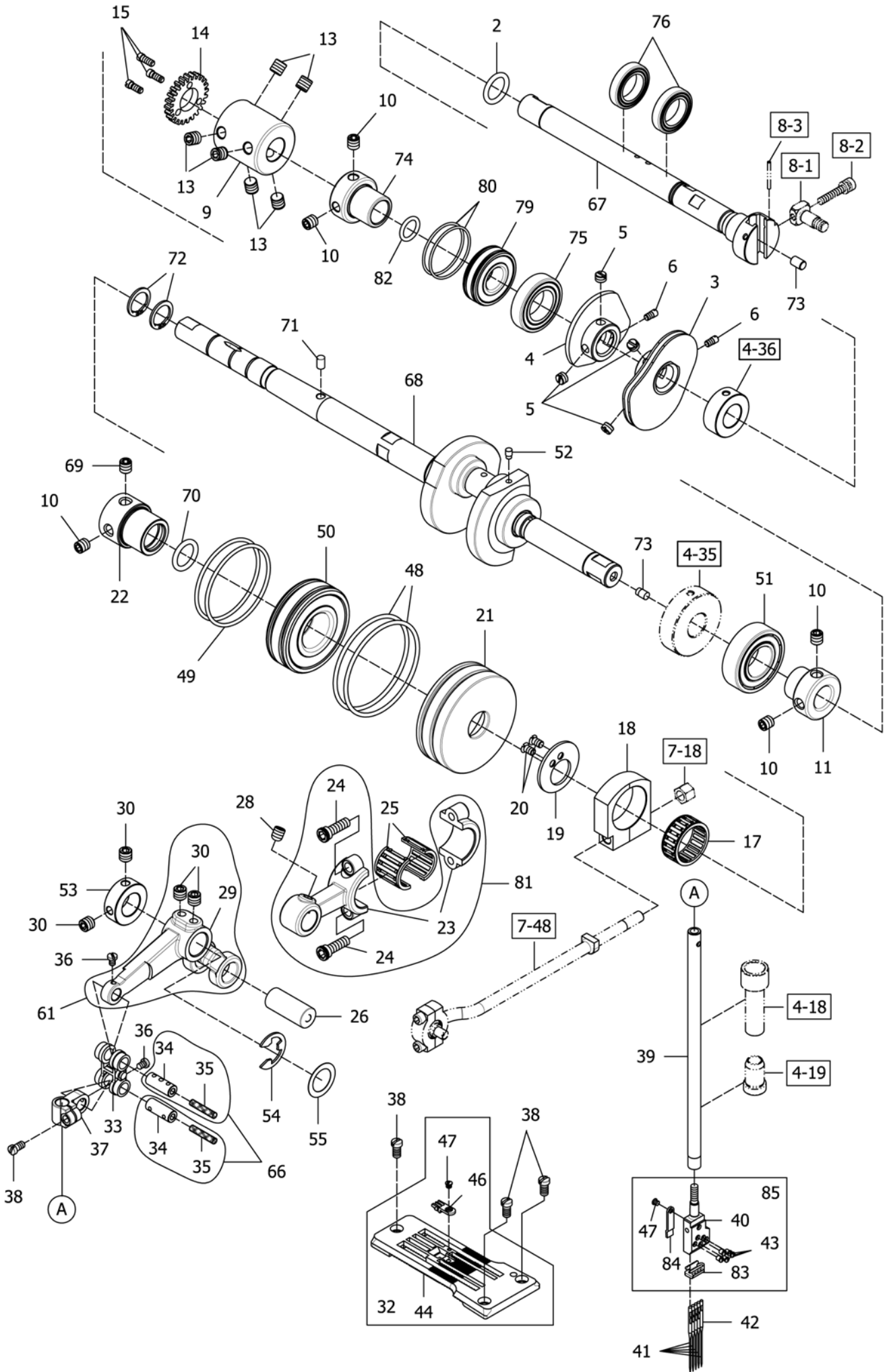


MISCELLANEOUS BUSHINGS

套管機構

4

Ref.	Parts			Amt.
<u>No.</u>	<u>No.</u>	<u>Description</u>	<u>品 名</u>	<u>Req.</u>
18	07400418	Needle Bar Bushing(Upper).....	針柱套管(上).....	1
19	07400419	Needle Bar Bushing(Lower).....	針柱套管(下).....	1
20	07400420	Looper Driving Lever Shaft Bushing.....	下勾針驅動軸套管.....	1
21	07400421	Looper Rocker Shaft Bushing (Front).....	下勾針搖桿軸套管(前).....	1
22	07400422	Looper Rocker Shaft Bushing (Rear).....	下勾針搖桿軸套管(後).....	1
23	07400423	Feed Bar Eccentric Pin Bushing.....	送料具偏心銷套管.....	1
24	07400424	Oil Seal.....	油封.....	1
25	07400425	Oil Seal.....	油封.....	2
26	07400426	Needle Bar Bushing(Upper)Lid.....	針柱套管(上)蓋.....	1
27	07400427	Gasket.....	墊片.....	1
29	07400429	Oil Seal.....	油封.....	1
31	07400431	Presser Foot Lifter Stop Plunger Bushing.....	擡押腳軸套管.....	1
32	07400432	Presser Bar Bushing.....	押腳套管.....	1
33	07400433	Knife Driving Lever Bushing (Rear).....	傳動刀軸銅套(後).....	1
34	07400434	Knife Driving Lever Bushing (Front).....	傳動刀軸銅套(前).....	1
35	07400435	Main Shaft Bushing (Rear).....	主軸套管(後).....	1
36	07400436	Main Shaft Bushing (Front).....	主軸套管(前).....	1
37	07400437	Seal Plug.....	止油膠塞.....	1
38	07400438	Seal Plug.....	止油膠塞.....	1
40	07400440	Thread Carrier and Hook Sleeve Bushing.....	上飾線銅套.....	1
41	07400441	Bushing Ring.....	墊片.....	1
42	07400442	Oil Seal.....	油封.....	1
43	07400443	Washer.....	墊片.....	1
44	07400444	Lubrication Connector.....	潤滑接頭.....	1



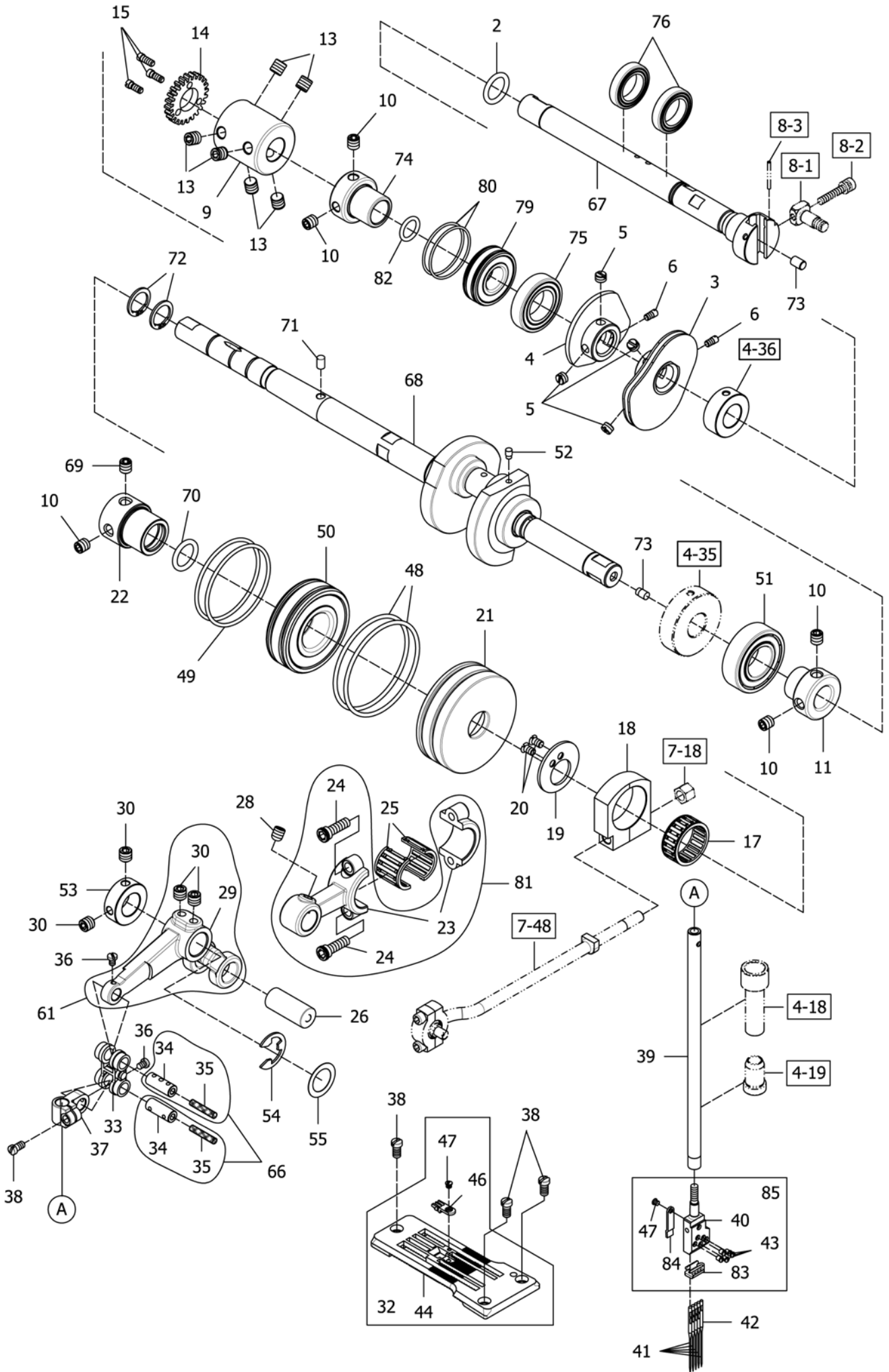
MAIN SHAFT DRIVING MECHANISM

上主軸與針棒機構

5

Ref.	Parts			Amt.
No.	No.	Description	品名	Req.
2	07400502	O-ring.....	O型橡膠環.....	1
3	07400503	Looper Thread Take-Up.....	底線提線凸輪.....	1
4	07400504	Top Cover Thread Take-Up.....	上飾線提線凸輪.....	1
5	07400505	Screw (7/32-32X3.6).....	螺絲.....	4
6	07400506	Positioning Screw (1/8-44X4).....	螺絲.....	2
9	07400509	Front and Rear Connecting Sleeve.....	前後軸連接襯套.....	1
10	07400510	Screw (M6-1X6).....	螺絲.....	5
11	07400511	Collar.....	固定軸環.....	1
13	07400513	Screw (1/4-28X6.3).....	螺絲.....	6
14	07400514	Pump Driving Gear.....	油泵驅動齒輪.....	1
15	07400515	Screw (1/8-44X8).....	螺絲.....	3
17	07400517	Needle Bearing.....	滾針軸承.....	1
18	07400518	Thread Carrier and Hook Driving Rod (Right).	上飾線驅動培林外殼.....	1
19A	07400519A	Needle Bearing Retaining Plate.....	滾針軸承扣板.....	1
20	07400520	Screw (9/64-40X6).....	螺絲.....	2
21A	07400521A	Bearing Sleeve.....	培林襯套.....	1
22A	07400522A	Motor Connecting Rod Sleeve.....	馬達連接襯套.....	1
23	07400523	Needle Bar Lever Connecting Rod.....	針柱槓桿連桿.....	1
24	07400524	Screw (3/16-32X14).....	螺絲.....	2
25	07400525	Needle Bearing.....	滾針軸承.....	2
26	07400526	Needle Bar Lever Connecting Rod Pin.....	針柱槓桿連桿插銷.....	1
28	07400528	Screw (7/32-32X4.5).....	螺絲.....	1
29	07400529	Needle Bar Lever.....	針柱槓桿.....	1
30	07400530	Screw (M5-0.8X5).....	螺絲.....	4
32A	★	Stitch Plate C.Set.....	針板組.....	1
33	07400533	Needle Bar Connecting Link.....	針柱連桿.....	1
34	07400534	Needle Bar Connecting Link Pin.....	針柱連桿插銷.....	2
35	07871259	Oil Wick.....	吸油繩.....	2
36	07400536	Screw (1/8-44X5).....	螺絲.....	2
37	07400537	Needle Bar Connecting Bracket.....	針柱連結架.....	1
38	07400538	Screw (9/64-40X7.5).....	螺絲.....	4
39	07400539	Needle Bar.....	針柱.....	1
40A	★	Needle Clamp.....	針鉗.....	1
41	★	Needle.....	機針.....	4

★ 請參照附件1【針距規格表】



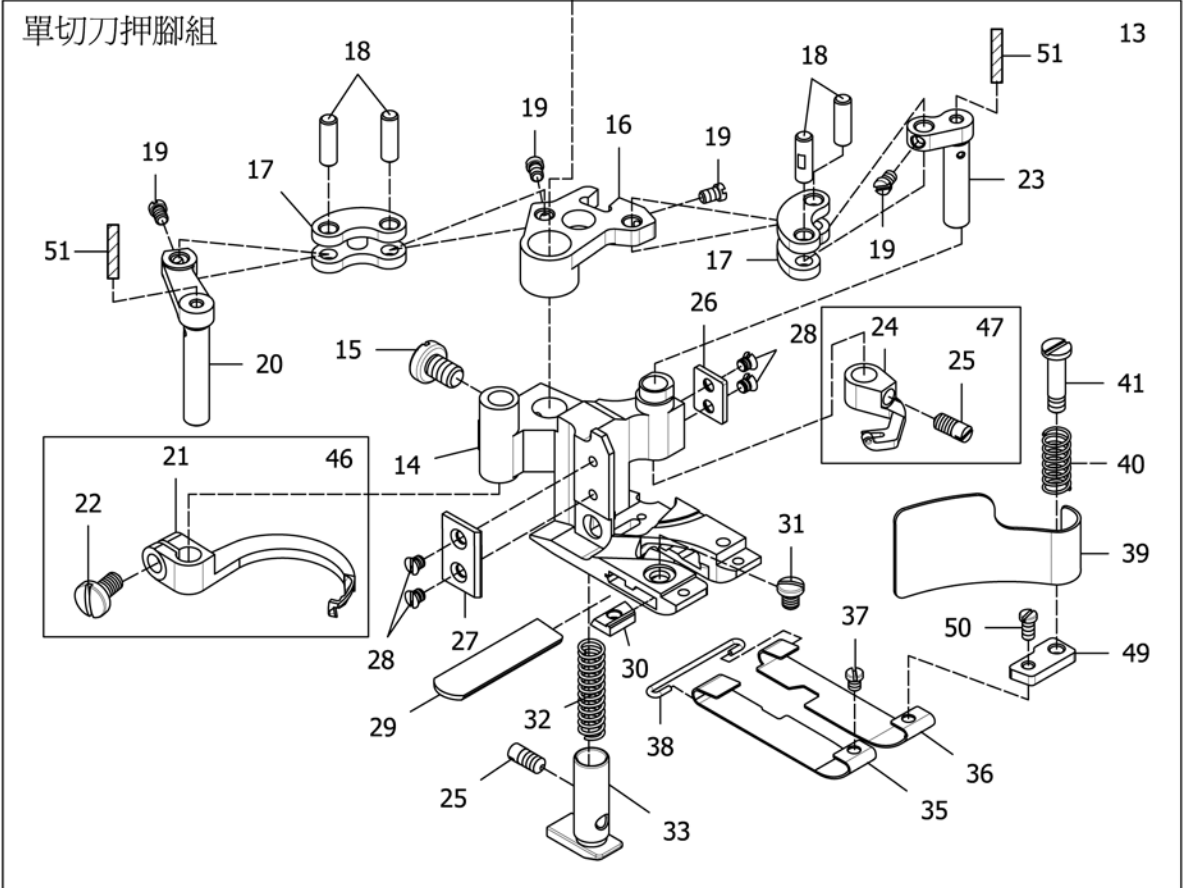
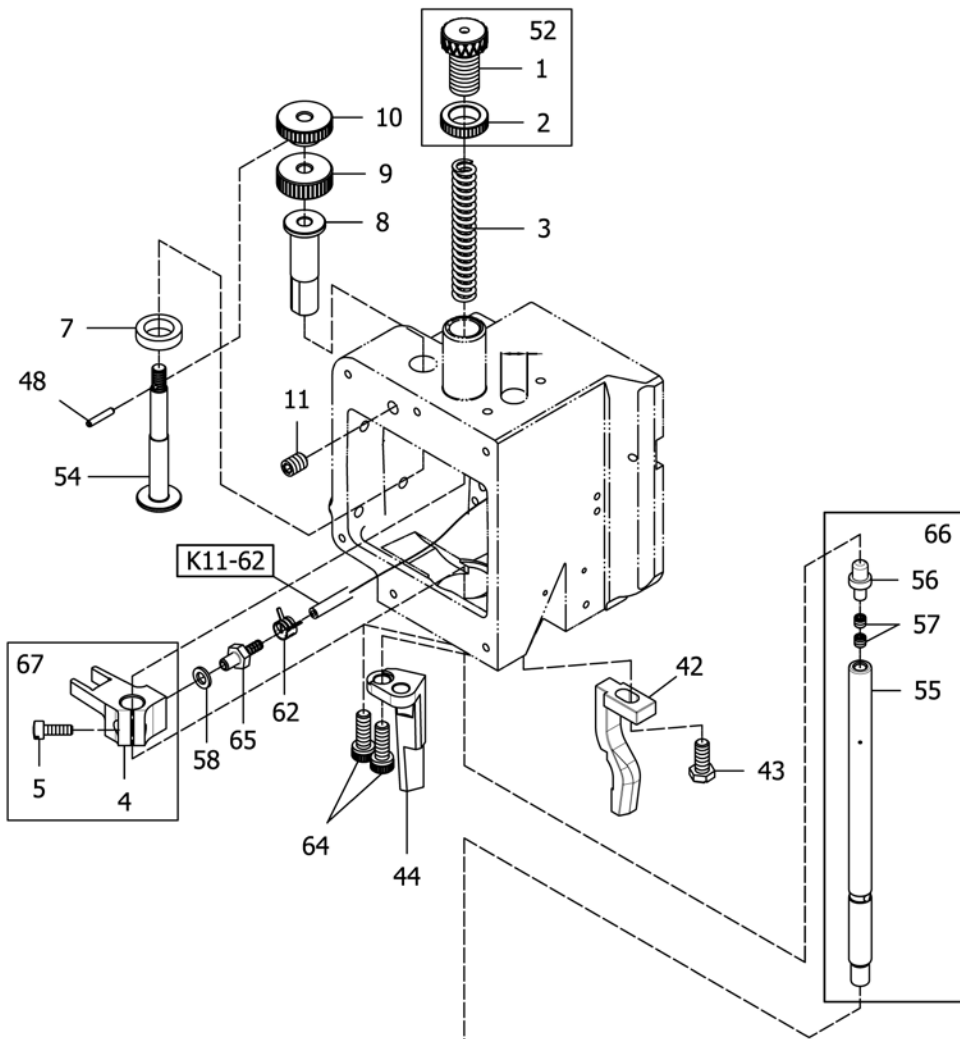
MAIN SHAFT DRIVING MECHANISM

上主軸與針棒機構

5

Ref.	Parts			Amt.
No.	No.	Description	品名	Req.
42	★	Retainer.....	假針.....	1
43	07400543	Screw (3/32-56X2.5).....	螺絲.....	5
44A	★	Stitch Plate.....	單切針板.....	1
46	★	Stitch Plate Tongue.....	針板舌.....	1
47	07400547	Screw (3/32-56X2).....	螺絲.....	2
48	07400548	O-ring.....	O型橡膠環.....	2
49	07400549	O-ring.....	O型橡膠環.....	2
50A	07870611	Ball Bearing.....	滾珠軸承.....	1
51	07400551	Ball Bearing.....	滾珠軸承.....	1
52	07870518	Seal Plug.....	止油塞.....	1
53	07400553	Collar.....	軸環.....	1
54	07400554	Retaining Ring.....	E型扣環.....	1
55	07400555	Thrust Ring.....	墊片.....	1
61	07400561	Needle Bar Lever C.Set.....	針柱槓桿組.....	1
66	07400566	Needle Bar Connecting Link Pin C.Set.....	針柱連桿插銷組.....	2
67	07400567	Main Shaft.....	主軸.....	1
68	07400568	Crankshaft.....	曲軸.....	1
69	07400569	Screw (M6-1X6).....	螺絲.....	1
70	07400570	O-ring.....	O型橡膠環.....	1
71	07870338	Pin.....	插銷.....	1
72	07400572	Retaining Ring.....	扣環.....	2
73	07871249	Seal Plug.....	止油塞.....	2
74	07400574	Collar.....	固定軸環.....	1
75	07400575	Sleeve.....	襯套.....	1
76	07400576	Sleeve.....	襯套.....	2
79	07400579	Ball Bearing.....	滾珠軸承.....	1
80	07400580	O-ring.....	O型橡膠環.....	2
81	07400581	Needle Bar Lever Connecting Rod C.Set.....	針柱槓桿連桿組.....	1
82	07400582	O-ring.....	O型橡膠環.....	1
83	07400583	Thread Eyelet Bracket.....	陶瓷過線架.....	1
84	07400584	Holder Plate.....	固定陶瓷壓板.....	1
85	★	Needle Clamp C.Set.....	針鉗組.....	1

★ 請參照附件1【針距規格表】



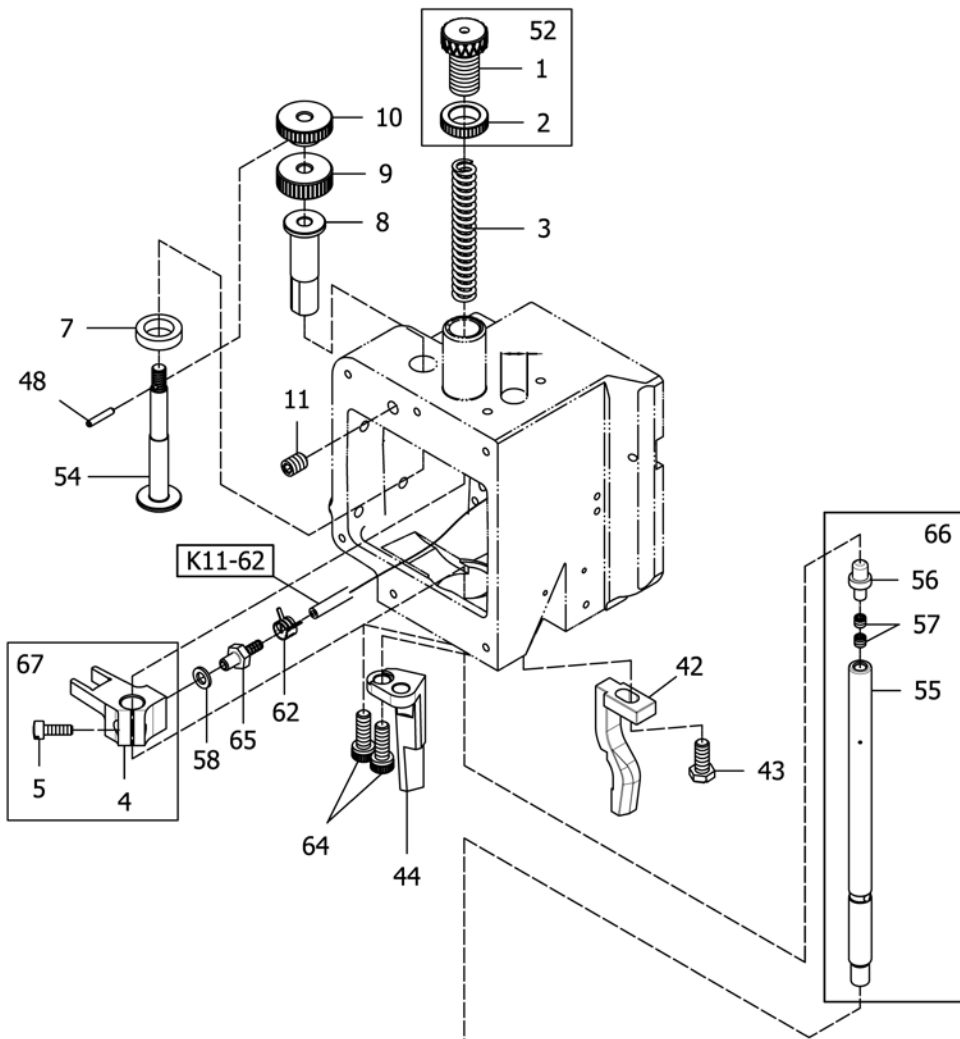
MAIN SHAFT DRIVING MECHANISM

上主軸與針棒機構

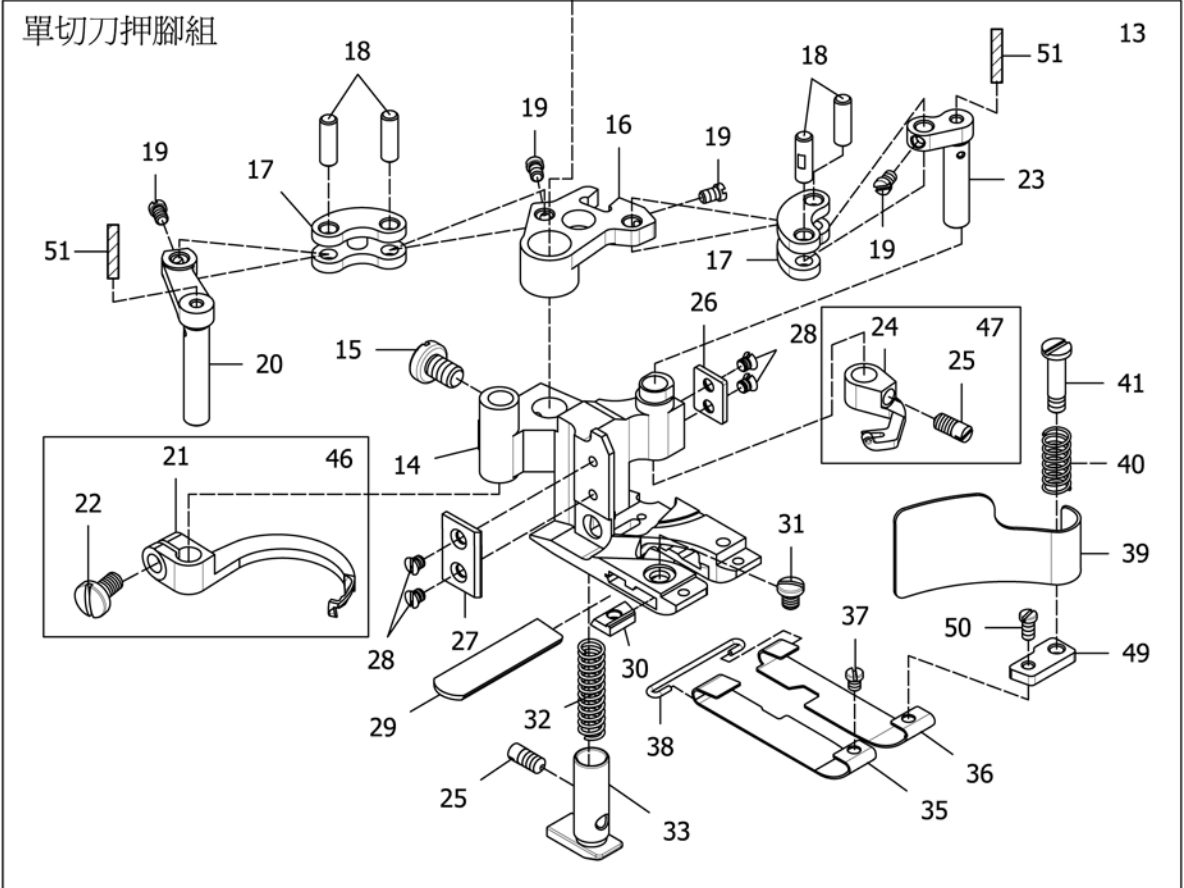
6

Ref.	Parts			Amt.
No.	No.	Description	品 名	Req.
1	07400601	Adjusting Screw (M12-1X17).....	調節螺絲.....	1
2	07400602	Lock Nut.....	保險螺帽.....	1
3	07400603	Presser Spring.....	押腳彈簧.....	1
4A	07400604A	Presser Bar Connecting Bracket.....	押腳推桿連結架.....	1
5	07400605	Screw (11/64-40X10.3).....	螺絲.....	1
7	07400607	Connecting Bracket Cushion.....	連結架襯墊.....	1
8	07400608	Presser Bar Guide.....	押腳導件.....	1
9	07400609	Lock Nut.....	保險螺帽.....	1
10	07400610	Adjusting Nut.....	調節螺帽.....	1
11	07400611	Screw (M6-1X8).....	螺絲.....	1
13	★	One Side Cut Presser Foot C. Set.....	單切押具組.....	1
14	★	One Side Cut Presser Foot.....	單切押腳.....	1
15	07400615	Screw (11/64-40X6.3).....	螺絲.....	1
16	★ 07400616	Carrier/Hook Driving Segment.....	上勾針驅動扇形片.....	1
17	★ 07400617	Carrier/Hook Driving Lever Link.....	上勾針驅動連桿.....	2
18	★ 07400618	Link Pin.....	連桿插銷.....	4
19	07400619	Screw (3/32-56X3.3).....	螺絲.....	4
20	★ 07400620	Thread Hook Driving Lever.....	勾針驅動槓桿.....	1
21	★ 07400621MF	Top Cover Thread Hook.....	上飾線勾針(長).....	1
22	07400622	Screw (9/64-40X6.8).....	螺絲.....	1
23	★ 07400623	Top Cover Thread Carrier Driving Lever.....	上飾線托架驅動槓桿.....	1
24	★ 07400624MF	Top Cover Thread Carrier.....	上飾線勾針(短).....	1
25	07400338	Screw (1/8-44X5).....	螺絲.....	2
26	★ 07400626	Presser Foot Attach Piece (Right).....	押腳連接片(右).....	1
27	★ 07400627	Presser Foot Attach Piece (Left).....	押腳連接片(左).....	1
28	07400628	Screw(3/32-56X2.4).....	螺絲.....	4
29	★ 07400629	Lower Knife.....	下切刀片.....	1
30	★ 07400630	Lower Knife Clamp.....	下刀片夾板.....	1
31	07400631	Screw (1/8-44X3.5).....	螺絲.....	1
32	★ 07400632	Yielding Section Spring.....	押腳輔助座彈簧.....	1
33	★ 07400633	Yielding Section.....	押具輔助座.....	1
35A	★ 07400635A	Presser Foot Spring Plate (Left).....	押具押板(左).....	1
36A	★ 07400636A	Presser Foot Spring Plate (Right).....	押具押板(右).....	1
37	07400637	Screw (3/32-56X2.6).....	螺絲.....	1
38	★ 07400638	Spring Plate Holder.....	彈簧片固定座.....	1
39	★ 07400639	Chip Guard.....	切角防護片.....	1

★ 請參照附件1【針距規格表】



單切刀押腳組



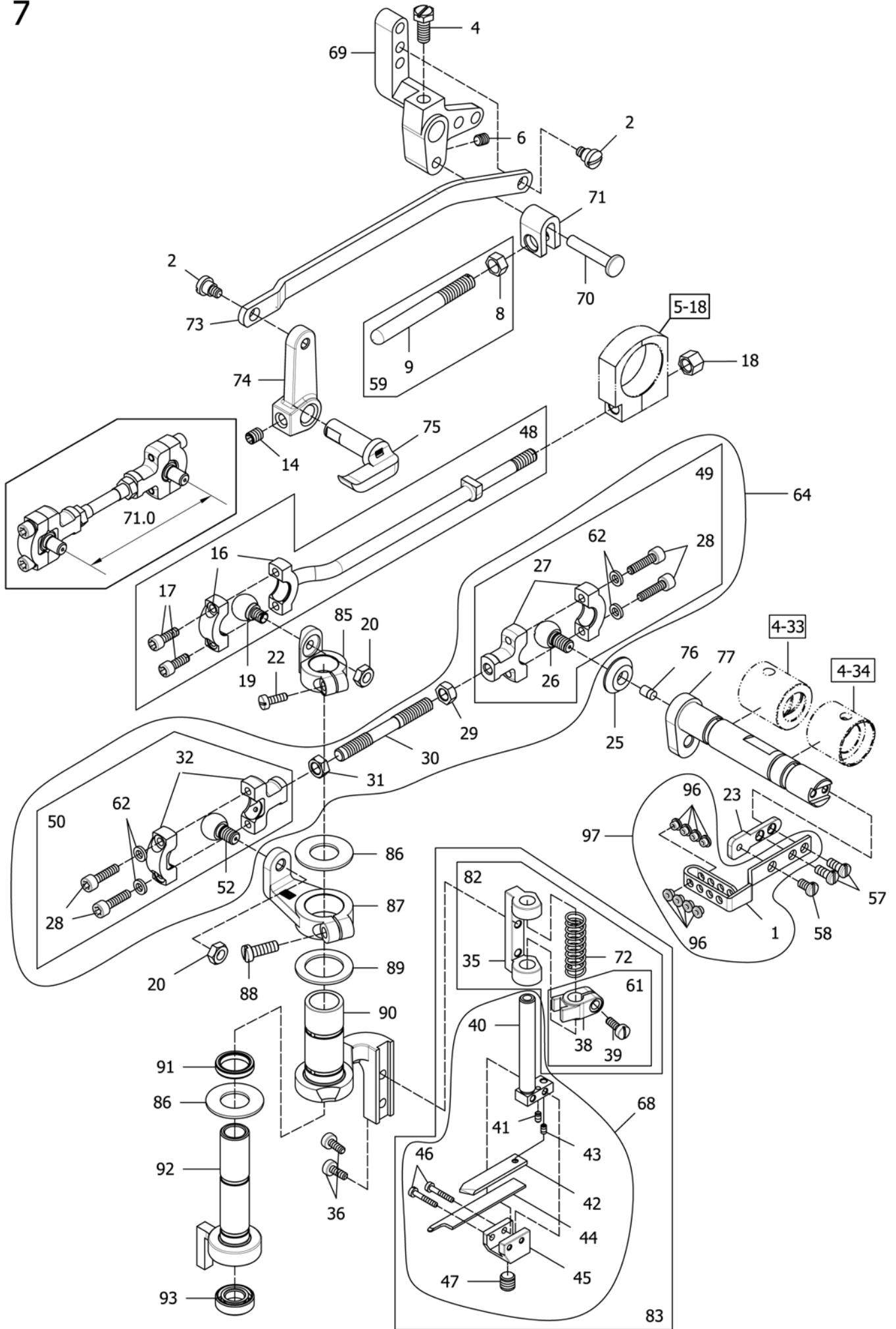
MAIN SHAFT DRIVING MECHANISM

上主軸與針棒機構

6

Ref.	Parts			Amt.
<u>No.</u>	<u>No.</u>	<u>Description</u>	<u>品 名</u>	<u>Req.</u>
40	★ 07400640	Chip Guard Spring.....	切角防護片彈簧.....	1
41	07400641	Screw (1/8-44X3.4).....	螺絲.....	1
42	07400642	Presser Foot Guide (Right).....	押腳導件(右).....	1
43	07400643	Screw (M5-0.8X12).....	螺絲.....	1
44	07400644	Presser Foot Guide (Left).....	押腳導件(左).....	1
46	07400646MF	Top Cover Thread Hook C.Set.....	上飾線勾針組(長).....	1
47	07400647MF	Top Cover Thread Carrier C.Set.....	上飾線勾針組(短).....	1
48	07400648	Pin.....	插銷.....	1
49	★ 07400649	Spacer.....	墊塊.....	1
50	07400650	Screw (3/32-56X4.8).....	螺絲.....	1
51	★ 07400651	Green Wool.....	綠色毛線.....	2
52	07400652	Adjusting Screw C.Set.....	調節螺絲組.....	1
54	07400654	Presser Foot Adjusting Screw.....	押腳調節彈簧.....	1
55A	07400655A	Presser Bar.....	押腳推桿.....	1
56	07400656	Presser Bar Sleeve.....	押腳桿襯套.....	1
57	07870229	Screw (M4-0.7X4).....	螺絲.....	2
58	07400658	Washer.....	墊片.....	1
62	07400662	Tube Clip.....	油管夾.....	1
64	07871914	Screw (M5-0.8X12).....	螺絲.....	2
65	07400665	Oil Tube Joint.....	油管接頭.....	1
66	07400666	Presser Bar C.Set.....	押腳推桿組.....	1
67	07400667	Presser Bar Connecting Bracket C.Set.....	押腳推桿連結架組.....	1

★ 請參照附件1【針距規格表】



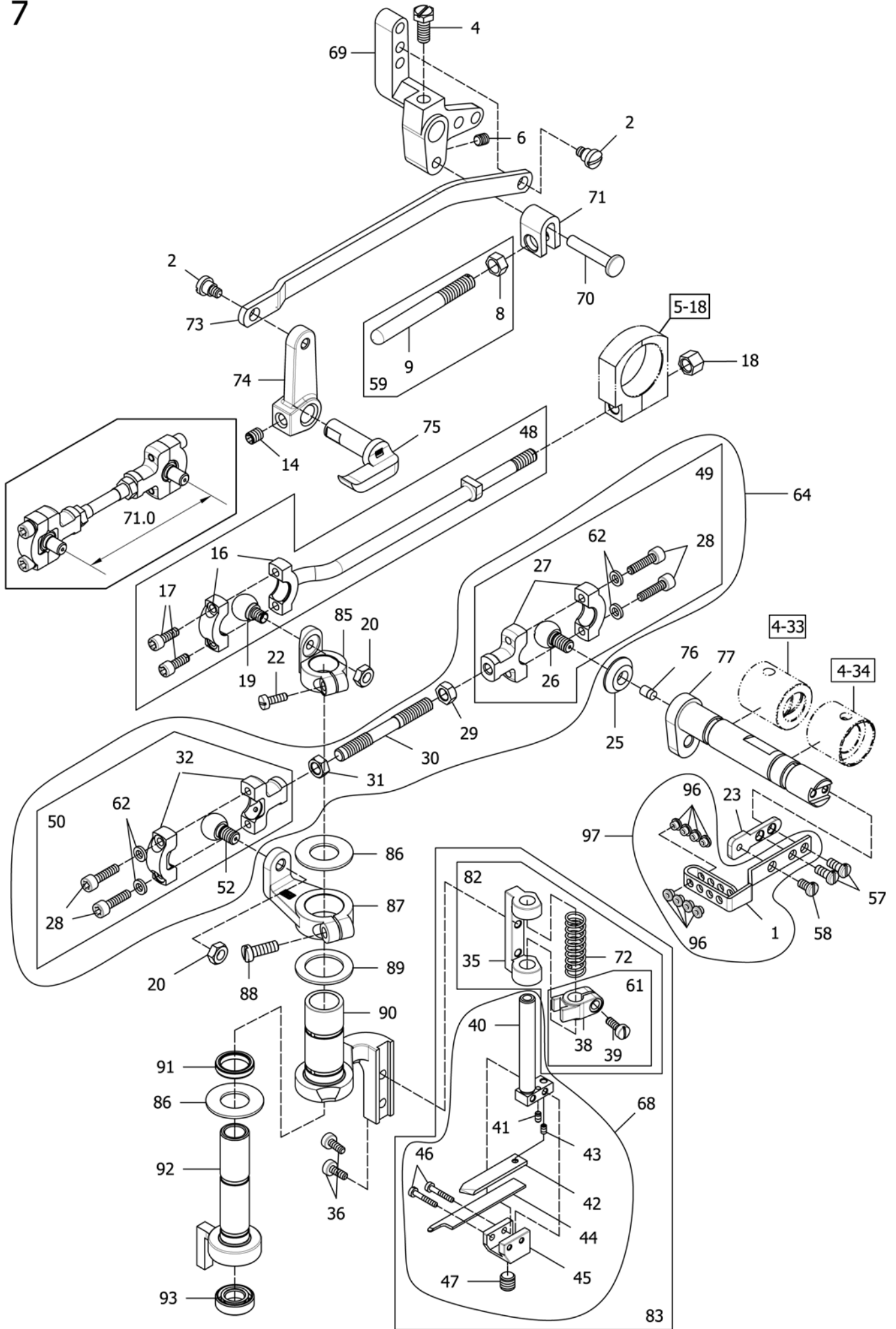
UPPER KNIFE , CARRIER AND HOOK DRIVING MECHANISM

上切刀及上勾針驅動機構

7

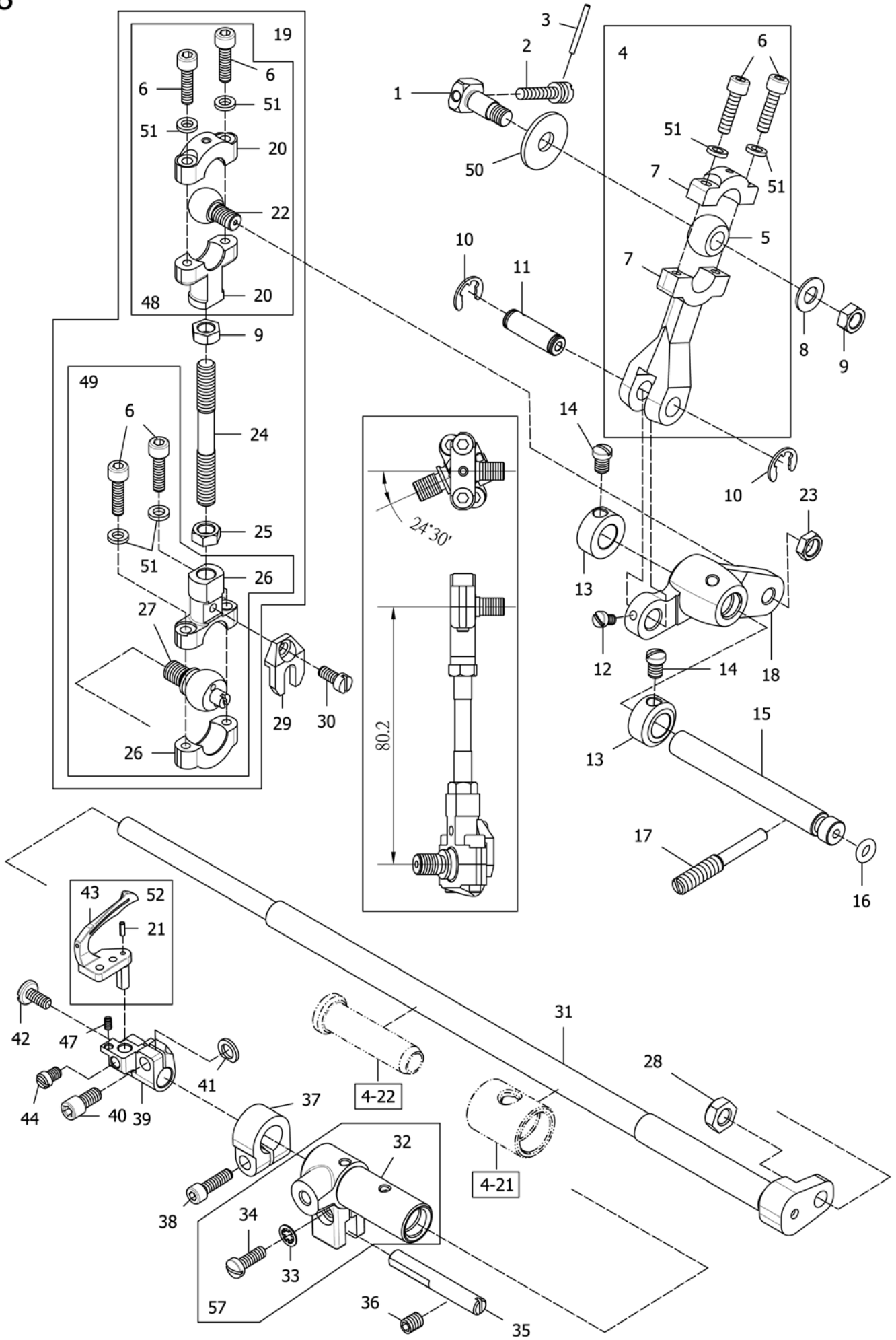
Ref.	Parts			Amt.
No.	No.	Description	品名	Req.
1B	07400701B	Needle Thread Take-up.....	導線架.....	1
2	07400702	Screw (3/16-32X4).....	螺絲.....	2
4	07400704	Screw (7/32-32X12).....	螺絲.....	1
6	07400530	Screw (M5-0.8X5).....	螺絲.....	1
8	07400708	Nut.....	螺帽.....	1
9	07400709	Presser Foot Lifter Stop Plunger.....	擡押腳軸.....	1
14	07400714	Screw (7/32-32X6).....	螺絲.....	1
16	07400716	Carrier Hook Driving Rod (Left).....	上飾線驅動珠殼.....	1
17	07400717	Screw (9/64-40X10).....	螺絲.....	2
18	07400718	Nut.....	螺帽.....	1
19	07400719	Rod Ball (Left).....	上飾線傳動連結球(左).....	1
20	07400720	Nut.....	螺帽.....	2
22	07400722	Screw(9/64-40X9).....	螺絲.....	1
23	07400723	Bracket.....	托架固定座.....	1
25	07400725	Steady Washer.....	穩定墊圈.....	1
26	07400726	Knife Driving Connection Ball(Right).....	上切刀驅動連結球(右).....	1
27	07400727	Knife Driving Connection(Right).....	上切刀驅動連結桿(右).....	1
28	07400728	Screw (M3.5-0.6X14).....	螺絲.....	4
29	07400729	Nut (Left-handed Screw).....	螺帽.....	1
30	07400730	Knife Driving Connecting Rod.....	上切刀驅動連結桿.....	1
31	07400731	Nut.....	螺帽.....	1
32	07400732	Knife Driving Connection (Left).....	上切刀驅動連結桿(左).....	1
35	07400735	Knife Holder Shank Support.....	上切刀固定座支架.....	1
36	07400736	Screw (9/64-40X8).....	螺絲.....	2
38	07400738	Knife Holder Guide Collar.....	刀台襯套.....	1
39	07400739	Screw (9/64-40X9).....	螺絲.....	1
40	07400740	Knife Holder Shank.....	上切刀固定座柄.....	1
41	07400741	Screw (3/32-56X3.6).....	螺絲.....	1
42	★ 07400742	Knife Support.....	上切刀支架.....	1
43	07400743	Screw (3/32-56X1.2).....	螺絲.....	1
44	★ 07400744	Upper Knife.....	上切刀片.....	1
45	★ 07400745	Knife Holder.....	上刀片固定座.....	1
46	07400746	Screw (3/32-56X7).....	螺絲.....	2
47	07400747	Screw (1/4-40X6).....	螺絲.....	1

★ 請參照附件1【針距規格表】



UPPER KNIFE , CARRIER AND HOOK DRIVING MECHANISM**上切刀及上勾針驅動機構****7**

Ref.	Parts			Amt.
<u>No.</u>	<u>No.</u>	<u>Description</u>	<u>品 名</u>	<u>Req.</u>
48	07400748	Carrier/Hook Driving Rod C. Set (Left).....	上飾線驅動珠桿組.....	1
49	07400749	Knife Driving Connection (Right) C. Set.....	上切刀傳動連結桿(右)組....	1
50	07400750	Knife Driving Connection (Left) C. Set.....	上切刀傳動連結桿(左)組....	1
52	07400752	Rod Ball (Left).....	上切刀傳動連結球(左).....	1
57	07870637	Screw (M3.5-0.6X8).....	螺絲(一字頭).....	2
58	07400758	Screw (M3.5-0.6X6).....	螺絲(一字頭).....	1
59	07400759	Presser Foot Lifter Stop Plunger C.Set.....	擡押腳軸組.....	1
61	07400761	Knife Holder Guide Collar C.Set.....	刀台襯套組.....	1
62	07400851	Washer.....	墊片.....	4
64	07400764	Knife Driving Connection C.Set.....	上切刀傳動連結桿組.....	1
68	07400768	Knife Holder Shank C.Set.....	上切刀固定座柄組.....	1
69	07400769	Presser Bar Lifter Lever (Large).....	押腳升降槓桿(大).....	1
70	07400770	Stop Plunger Segment pin.....	擡押腳插銷.....	1
71	07400771	Stop Plunger Segment.....	擡押腳扣.....	1
72	07400772	Knife Holder Spring.....	上切刀固定座彈簧.....	1
73	07400773	Presser Foot Lifter Lever Link.....	押腳升降槓桿連桿.....	1
74	07400774	Presser Bar Lifter Lever (Small).....	押腳升降槓桿(小).....	1
75A	07400775A	Presser Bar Lifter Lever.....	押腳拉桿.....	1
76	07871249	Seal Plug.....	止油塞.....	1
77	07400777	Knife Driving Lever.....	上切刀傳動槓桿.....	1
82	07400782	Knife Holder Shank Support C.Set.....	上切刀固定座支架組.....	1
83	07400783	Knife Holder C.Set.....	上刀片固定座組.....	1
85	07400785	Carrier Hook Sleeve Lever.....	勾夾襯套.....	1
86	07400786	Washer.....	墊片.....	2
87	07400787	Carrier Hook Sleeve Lever.....	勾夾襯套.....	1
88	07400788	Screw (11/64-40X12).....	螺絲.....	1
89	07400789	Washer.....	墊片.....	1
90	07400790	Knife Holder Guide Collar.....	刀台座.....	1
91	07400791	Oil Seal.....	油封.....	1
92	07400792	Carrier/Hook Driving Sleeve.....	上飾線驅動襯套.....	1
93	07400793	Oil Seal.....	油封.....	1
96	07400796	Thread Eyelet.....	過線陶瓷(短.白).....	8
97	07400797	Needle Thread Take-up C.Set.....	導線架組.....	1

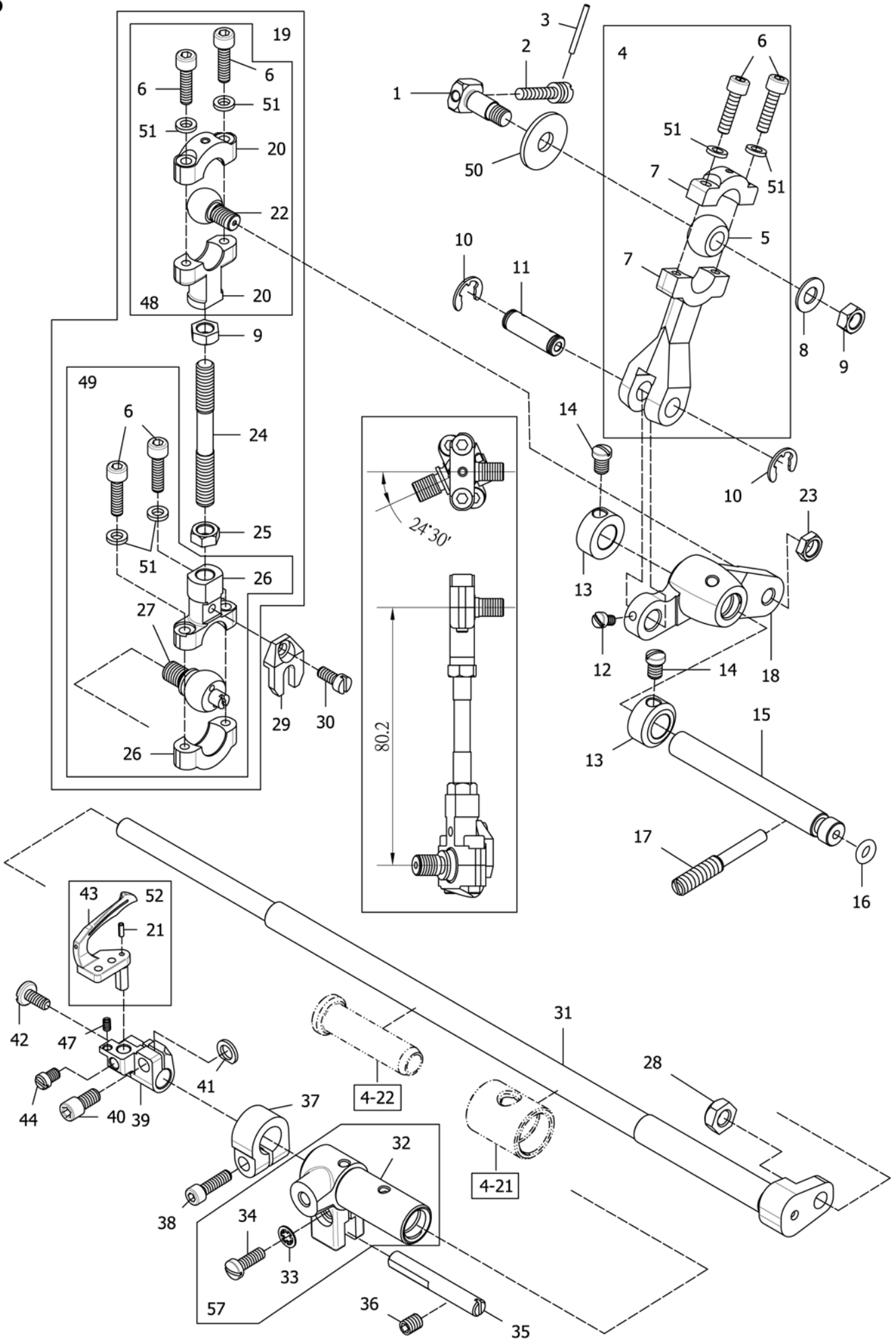


LOOPER DRIVING MECHANISM

下勾針驅動機構

8

Ref.	Parts			Amt.
No.	No.	Description	品 名	Req.
1	07400801	Looper Driving Crank Pin.....	下勾針驅動曲柄插銷.....	1
2	07400802	Screw (9/64-40X16.3).....	螺絲.....	1
3	07400803	Roll Pin for Main Shaft.....	插銷.....	1
4	07400804	Looper Lever Driving Rod C. Set.....	下勾針驅動桿組.....	1
5	07400805	Looper Lever Driving Rod Ball.....	下勾針驅動桿球.....	1
6	07400728	Screw (M3.5-0.6X14).....	螺絲.....	6
7	07400807	Looper Lever Driving Rod.....	下勾針驅動桿.....	1
8	07400808	Washer.....	墊片.....	1
9	07400729	Nut (Left-handed Screw).....	螺帽.....	2
10	07400810	Retaining Ring.....	扣環.....	2
11	07400811	Looper Lever Driving Rod Pin.....	下勾針驅動桿插銷.....	1
12	07400812	Screw (1/8-44X5).....	螺絲.....	1
13	07400813	Collar.....	軸環.....	2
14	07400814	Screw (11/64-40X5.8).....	螺絲.....	2
15	07400815	Looper Lever Shaft.....	下勾針槓桿軸.....	1
16	07400816	O-ring.....	O型橡膠.....	1
17	07400817	Screw (7/32-32X18).....	螺絲.....	1
18	07400818	Looper Lever.....	下勾針槓桿.....	1
19	07400819	Looper Driving Connection Rod C. Set.....	下勾針驅動連桿組.....	1
20	07400820	Looper Driving Connection(Upper).....	下勾針驅動連桿(上).....	1
21	07400821	Pin.....	插銷.....	1
22	07400822	Looper Driving Connection Ball(Upper).....	下勾針驅動連桿球(上).....	1
23	07400823	Nut.....	螺帽.....	1
24	07400730	Looper Driving Connecting Rod.....	下勾針驅動連結桿.....	1
25	07400731	Nut.....	螺帽.....	1
26	07400826	Looper Driving Connection(Lower).....	下勾針驅動連桿(下).....	1
27	07400827	Looper Driving Connection Ball(Lower).....	下勾針驅動連桿球(下).....	1
28	07400828	Nut.....	螺帽.....	1
29	07400829	Steady Fork.....	穩定叉.....	1
30	07400830	Screw (M3.5-0.6X8).....	螺絲.....	1
31	07400831	Looper Rocker Shaft.....	下勾針搖桿軸.....	1
32	07400832	Looper Rocker Shaft Sleeve.....	下勾針搖桿軸套筒.....	1
33	07400833	Washer.....	墊片.....	1
34	07400107	Screw (9/64-40X10.8).....	螺絲.....	1
35	07400835	Looper Rocker Shaft Sleeve Guide.....	下勾針搖桿軸套筒導件.....	1
36	07400836	Screw (3/16-32X8).....	螺絲.....	1
37	07400837	Collar.....	下勾針搖桿軸環.....	1
38	07400838	Screw(11/64-40X13).....	螺絲.....	1
39	07400839	Looper Holder.....	下勾針固定座.....	1
40	07400840	Screw (11/64-40X8.3).....	螺絲.....	1



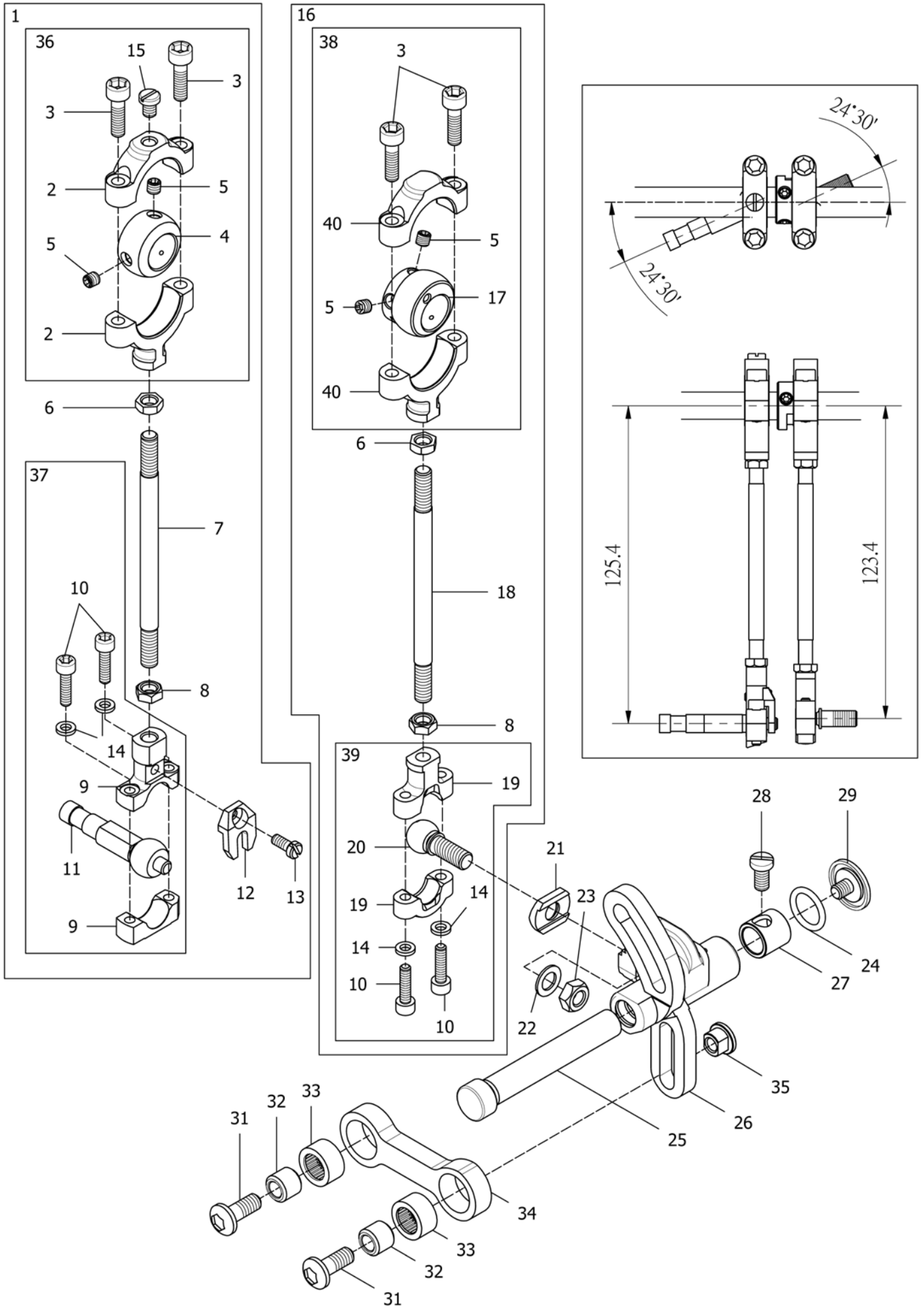
LOOPER DRIVING MECHANISM

下勾針驅動機構

8

Ref.	Parts			Amt.
<u>No.</u>	<u>No.</u>	<u>Description</u>	<u>品 名</u>	<u>Req.</u>
41	07400841	Packing.....	襯墊.....	1
42	07400842	Adjusting Screw(9/64-40X8.2).....	調節螺絲.....	1
43	07400843MF	Looper.....	下飾線勾針.....	1
44	07400844	Screw (9/64-40X4.9).....	螺絲.....	1
47	07400741	Screw (3/32-56X3.6).....	螺絲.....	1
48	07400848	Looper Driving Connection(Upper) C. Set.....	下勾針驅動連結組(上).....	1
49	07400849	Looper Driving Connection(Lower) C. Set.....	下勾針驅動連結組(下).....	1
50	07400850	Spacer.....	墊片.....	1
51	07400851	Washer.....	墊片.....	6
52	07400852	Looper C.Set.....	下飾線勾針組.....	1
57	07400857	Looper Rocker Shaft Sleeve C.Set.....	下勾針搖桿軸套筒組.....	1

★ 請參照附件1【針距規格表】

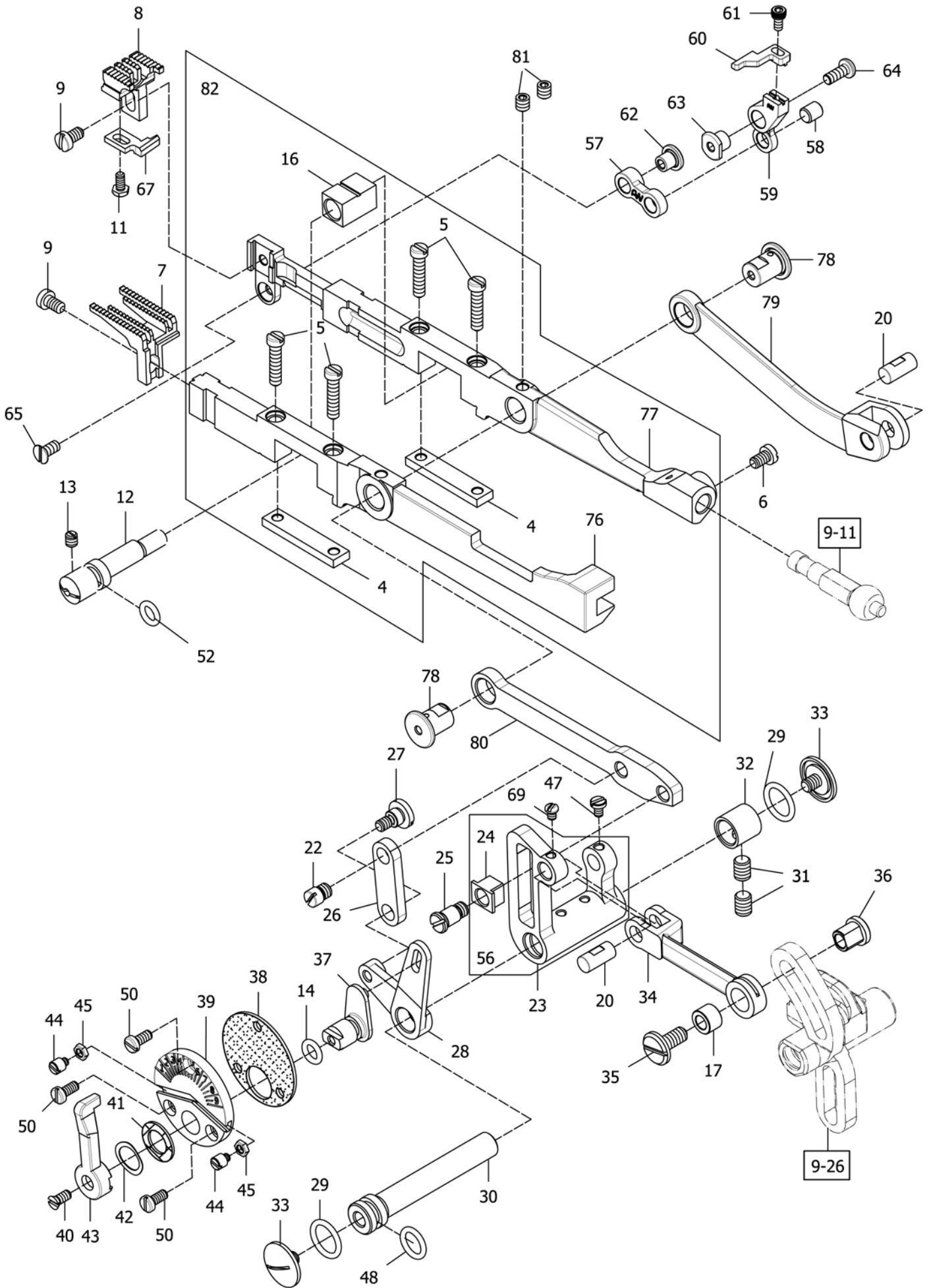


FEED DRIVING CONTROL MECHANISM

送料具驅動機構

9

Ref.	Parts			Amt.
No.	No.	Description	品 名	Req.
1	07400901	Feed Lift Eccentric C. Set.....	送料具提升偏心輪組.....	1
2	07400902	Feed Lift Connection (Upper).....	送料具提升連桿(上).....	1
3	07400903	Screw (11/64-40X16).....	螺絲.....	4
4	07400904	Feed Lift Eccentric Ball.....	送料具提升偏心輪球.....	1
5	07400225	Screw (11/64-40X4).....	螺絲.....	4
6	07400729	Nut (Left-handed Screw).....	螺帽.....	2
7	07400907	Feed Drive Eccentric Connecting Rod.....	送料具驅動連結桿.....	1
8	07400731	Nut.....	螺帽.....	2
9	07400826	Feed Lift Connection (Lower).....	送料具提升連桿.....	1
10	07400728	Screw (M3.5-0.6X14).....	螺絲.....	4
11	07400911	Feed Lift Connection Ball.....	送料具提升連桿球.....	1
12	07400829	Steady Fork.....	穩定叉.....	1
13	07400830	Screw (M3.5-0.6X8).....	螺絲.....	1
14	07400851	Washer.....	墊片.....	4
15	07400915	Screw (M5-0.8X6).....	螺絲.....	1
16	07400916	Feed Drive Eccentric C. Set.....	送料具驅動偏心輪組.....	1
17	07400917	Feed Drive Eccentric Ball.....	送料具驅動偏心輪球.....	1
18	07400918	Feed Drive Eccentric Connection Rod.....	送料具驅動連結桿.....	1
19	07400732	Feed Drive Connection(Lower).....	送料具驅動連桿(下).....	1
20	07400920	Feed Drive Connection Ball.....	送料具驅動連桿球.....	1
21	07400921	Steady Washer.....	穩定墊片.....	1
22	07400128	Washer.....	墊片.....	1
23	07400828	Nut.....	螺帽.....	1
24	07400924	O-ring.....	O型橡膠環.....	1
25	07400925	Feed Drive Shaft.....	送料具驅動軸.....	1
26	07400926	Feed Drive/Looper Avoid Lever.....	勾齒台座.....	1
27	07400927	Feed Drive Shaft Bushing.....	送料具驅動軸套筒.....	1
28	07400928	Screw (3/16-32X9.1).....	螺絲.....	1
29	07400929	Screw (3/16-32X6).....	螺絲.....	1
31	07400931	Screw (7/32-32X10).....	螺絲.....	2
32	07400932	Looper Avoid Connecting Rod Bushing.....	下勾針連桿襯套.....	2
33	07400933	Needle Bearing.....	軸承.....	2
34	07400934	Looper Avoid Connecting Rod.....	下勾針前後連桿.....	1
35	07400935	Looper Avoid Adjusting Nut.....	調整螺母.....	1
36	07400936	Feed Lift Connection(Upper) C. Set.....	送料具提升連桿(上)組.....	1
37	07400937	Feed Lift Connection(Lower) C. Set.....	送料具提升連桿(下)組.....	1
38	07400938	Feed Drive Eccentric(Upper) C. Set.....	送料具提升偏心輪(上)組....	1
39	07400939	Feed Drive Eccentric(Lower) C. Set.....	送料具提升偏心輪(下)組....	1
40	07400940	Feed Drive Eccentric(Upper).....	送料具提升偏心輪(上).....	1



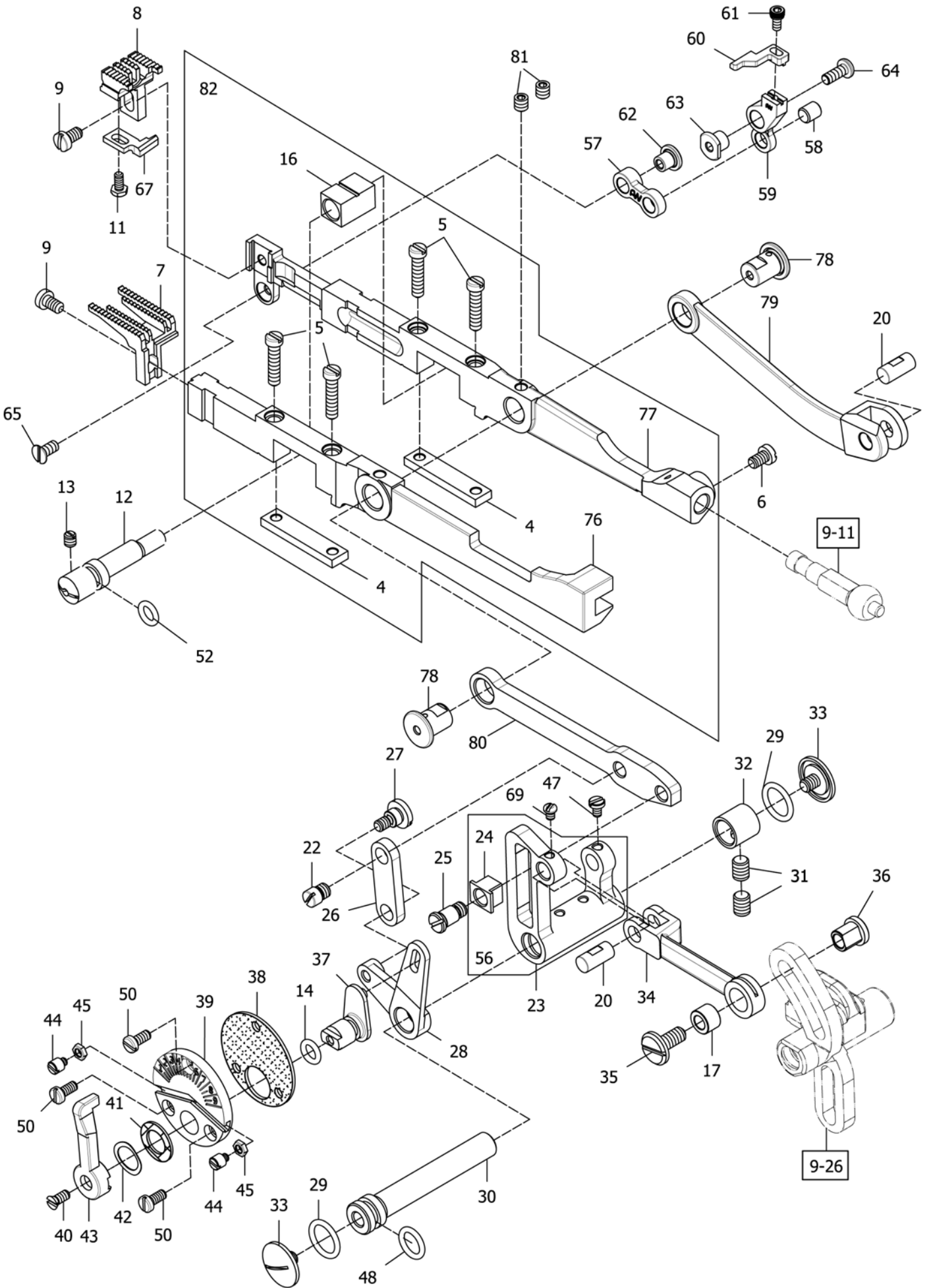
FEED DRIVING MECHANISM

送料具調節機構

10

Ref.	Parts			Amt.
No.	No.	Description	品名	Req.
4	07401004	Feed Bar Plate.....	送料具固定座片.....	2
5	07401005	Screw (11/64-40X18.7).....	螺絲.....	4
6	07401006	Screw (11/64-40X7).....	螺絲.....	1
7	★ 07401007	Differential Feed Dog.....	前送齒.....	1
8	★ 07401008	Main Feed Dog.....	單切後送齒.....	1
9	07400302	Screw (11/64-40X7.8).....	螺絲.....	2
11	07401011	Screw (1/8-44X4.8).....	螺絲.....	1
12	07401012	Feed Bar Eccentric Pin.....	送料具偏心銷.....	1
13	07400508	Screw (11/64-40X6).....	螺絲.....	1
14	07401014	O-ring.....	O型橡膠環.....	1
16	07401016	Feed Bar Slide Block.....	送料具滑塊.....	1
17	07401017	Feed Rocker Link Bushing.....	送料具搖桿套筒.....	1
20	07401020	Feed Rocker Link Pin.....	送料具搖桿插銷.....	2
22	07401022	Screw (7/32-32X5).....	螺絲.....	1
23	07401023	Feed Rocker.....	送料具搖桿.....	1
24	07401024	Differential Feed Bar Driving Link Slider.....	差動送料具固定座驅動桿滑塊...	1
25	07401025	Screw (7/32-32X4.6).....	螺絲.....	1
26	07401026	Differential Feed Adjusting Link.....	差動送料具調節桿.....	1
27	07401027	Screw (11/64-40X6.6).....	螺絲.....	1
28	07401028	Differential Feed Adjusting Lever.....	差動送料具調節槓桿.....	1
29	07400924	O-ring.....	O型橡膠環.....	2
30	07401030	Feed Rocker Shaft.....	送料具搖桿軸.....	1
31	07400836	Screw (3/16-32X8).....	螺絲.....	2
32	07400927	Feed Rocker Shaft Bushing.....	送料具搖桿軸套筒.....	1
33	07400929	Screw (3/16-32X6).....	螺絲.....	2
34	07401034	Feed Rocker Link.....	送料具搖桿連桿.....	1
35	07401035	Screw (7/32-32X10.5).....	螺絲.....	1
36	07401036	Feed Adjusting Nut.....	送料具調節螺絲.....	1
37A	07401037A	Differential Feed Adjusting Lever (Middle).....	差動送料具調節槓桿(中)....	1
38	07401038	Differential Feed Adjusting Dial Gasket.....	差動送料具調節標度盤墊片	1
39	07401039	Differential Feed Adjusting Dial.....	差動送料具調節標度盤.....	1
40	07400132	Screw (9/64-40X8).....	螺絲.....	1

★ 請參照附件1【針距規格表】



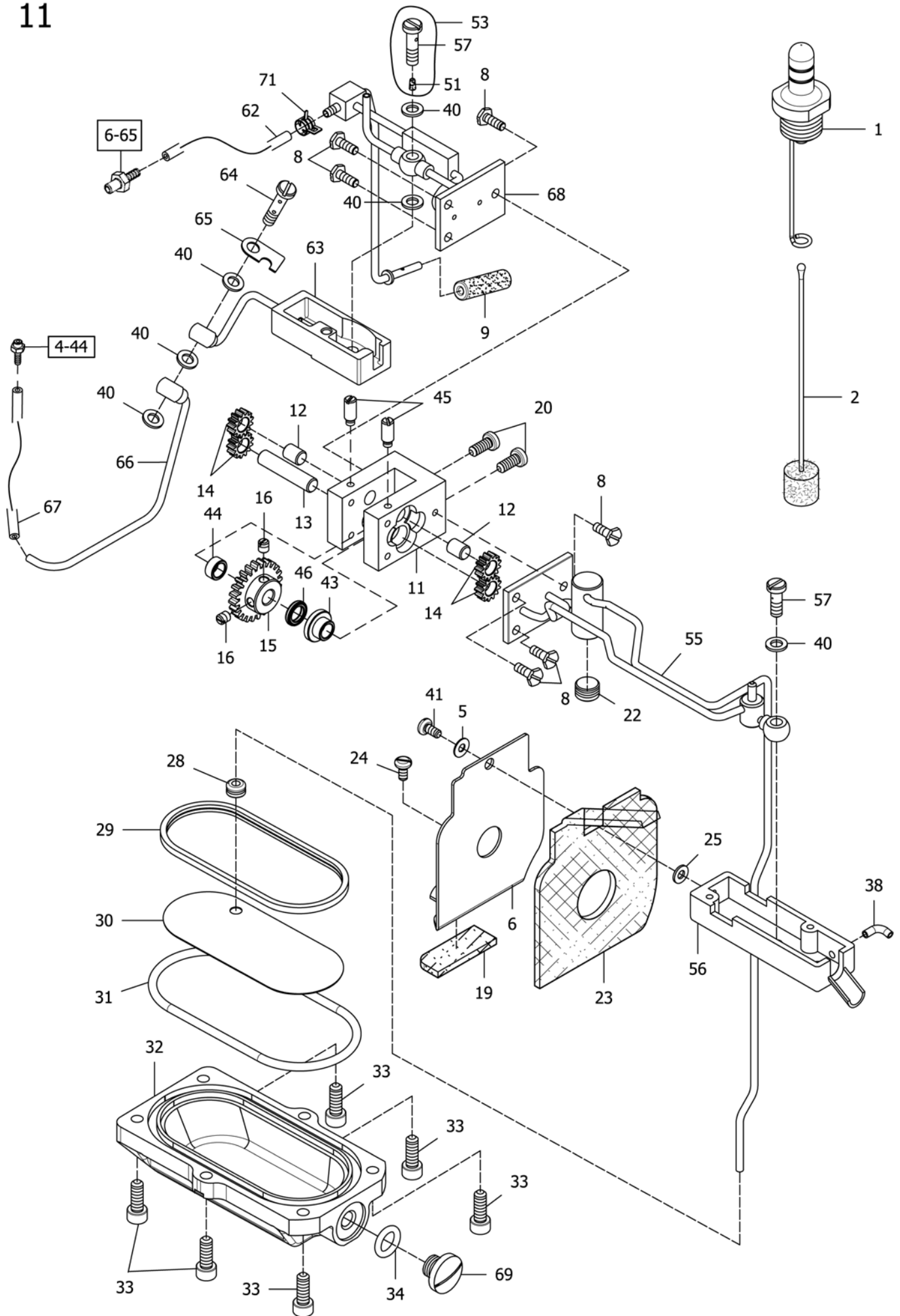
FEED DRIVING MECHANISM

送料具調節機構

10

Ref.	Parts			Amt.
No.	No.	Description	品名	Req.
41	07401041	Spacer (Fiber).....	墊片(纖維).....	1
42A	07401042A	Corrugated Washer.....	波狀墊片.....	2
43	07401043	Differential Feed Operating Lever.....	差動送料具操作桿.....	1
44	07401044	Screw (M3-0.5X2.6).....	螺絲.....	2
45	07401045	Nut.....	螺帽.....	2
47	07401047	Screw (1/8-44X4.7).....	螺絲.....	1
48	07401048	O-ring.....	O型橡膠環.....	1
50	07400208	Screw (9/64-40X8).....	螺絲.....	3
52	07401052	O-ring.....	O型橡膠環.....	1
56	07401056	Feed Rocker C. Set.....	送料具搖桿組.....	1
57	07401057	Lever Link.....	提環桿.....	1
58	07401058	Connecting Rod Pin.....	連桿插銷.....	1
59	07401059	Needle Guard Holder (Front).....	針擋座(前).....	1
60	07401060	Needle Guard(Front).....	針擋(前).....	1
61	07401061	Screw (M3-0.5X8).....	螺絲.....	1
62	07401062	Connecting Lever Pin.....	連結銷.....	1
63	07401063	Connecting Lever Pin.....	針擋座連結銷.....	1
64	07401064	Screw (M4-0.7X10).....	螺絲.....	1
65	07871602	Screw (M4-0.7X8.5).....	螺絲.....	1
67	★ 07401067	Needle Guard(Rear).....	針擋(後).....	1
69	07870821	Screw (1/8-44X4).....	螺絲.....	1
76	07401076	Differential Feed Bar.....	差動送料具固定座.....	1
77	07401077	Main Feed Bar.....	主送料具固定座.....	1
78	07401078	Link Pin.....	連結銷.....	2
79	07401079	Main Feed Bar Driving Link.....	主送料具固定座驅動桿.....	1
80	07401080	Differential Feed Bar Driving Link.....	差動送料具固定座驅動桿.....	1
81	07870648	Screw (M5-0.8X5).....	螺絲.....	2
82	07401082	Feed Bar C. Set.....	送料具固定座組.....	1

★ 請參照附件1【針距規格表】

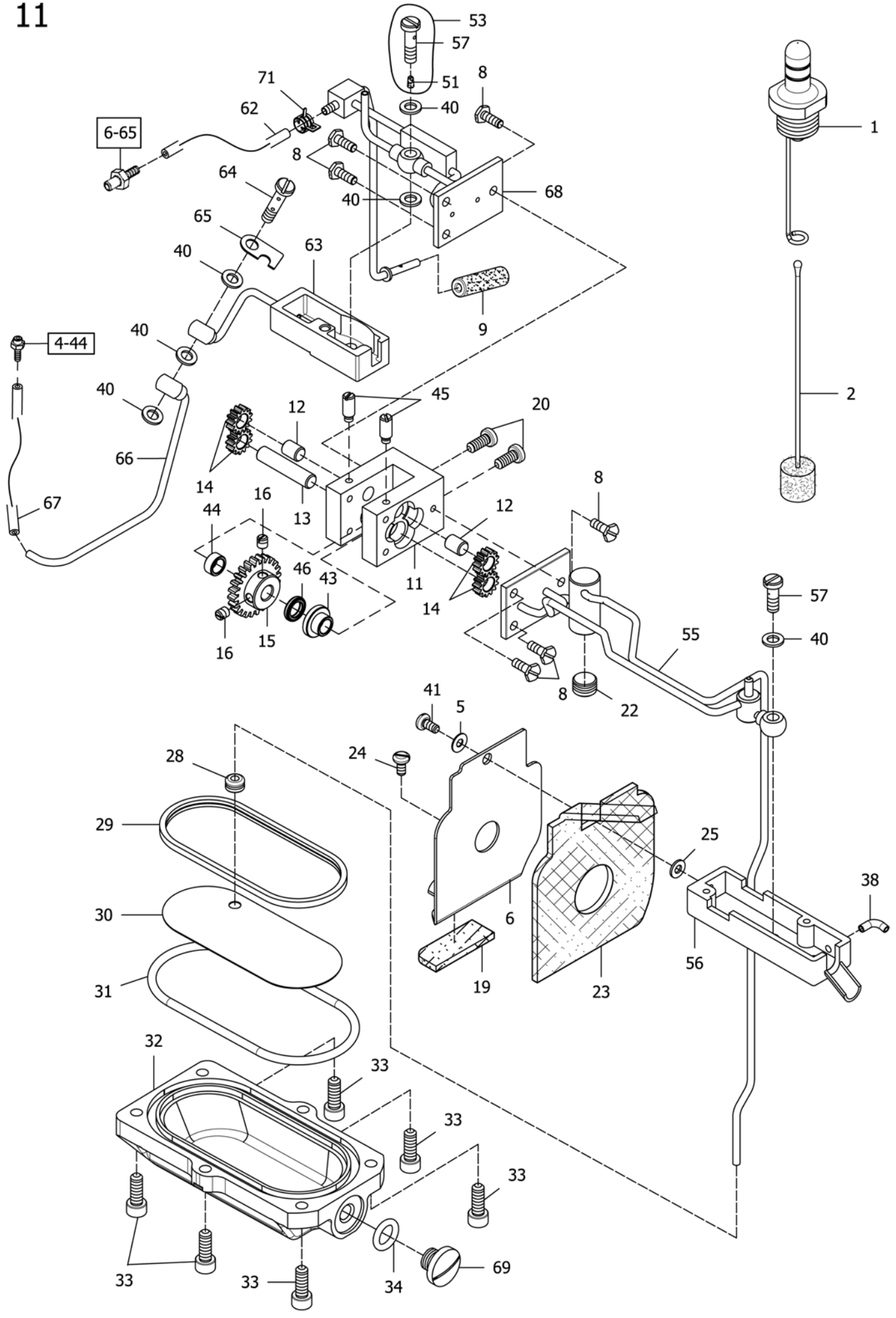


LUBRICATING MECHANISM

給油機構

11

Ref. No.	Parts No.	Description	品名	Amt. Req.
1	07401101	Crank Chamber Oil Gauge Unit.....	油鏡(後).....	1
2	07401102	Oil Height Indicator.....	油量指示棒.....	1
5	07400139	Washer.....	墊片.....	1
6	07401106	Take-up Oil Defense Plate.....	打線防油板.....	1
8	07401108	Screw (9/64-40X10.3).....	螺絲.....	6
9	07401109	Filter Condenser.....	過濾器.....	1
11	07401111	Pump Housing.....	油泵殼.....	1
12	07401112	Pump Gear Shaft (Short).....	油泵齒輪(短).....	2
13	07401113	Pump Gear Shaft (Long).....	油泵齒輪(長).....	1
14	07401114	Oil Pump Gear.....	油泵齒輪.....	4
15	07401115	Pump Driven Gear.....	油泵從動齒輪.....	1
16	07401116	Screw (11/64-40X5).....	螺絲.....	2
19	07401119	Thread Take-up Oil Defense Unit.....	打線防油墊片(小).....	1
20	07401120	Screw (11/64-40X10.5).....	螺絲.....	2
22	07401122	Screw (M10-1.5X6.1).....	螺絲.....	1
23	07401123	Thread Take-up Oil Defense Unit.....	打線防油墊片(大).....	1
24	07400111	Screw (9/64-40X5.6).....	螺絲.....	1
25	07401125	Washer.....	墊片.....	1
28	07401128	Rubber Bushing.....	橡膠套筒.....	1
29	07401129	Oil Filter Screen Rubber Seal.....	吸油氈篩橡膠油封.....	1
30	07401130	Oil Filter Screen.....	吸油氈篩.....	1
31	07401131	Oil Reservoir Rubber Seal.....	油槽橡膠油封.....	1
32	07401132	Oil Reservoir.....	油槽.....	1
33	07401133	Screw (M5-0.8X14).....	螺絲.....	6
34	07400124	O-ring.....	O型橡膠環.....	1
38	07401138	Oil Tube.....	供油銅管.....	1
40	07401140	Washer.....	墊片.....	6
41	07400150	Screw (9/64-40X7).....	螺絲.....	1

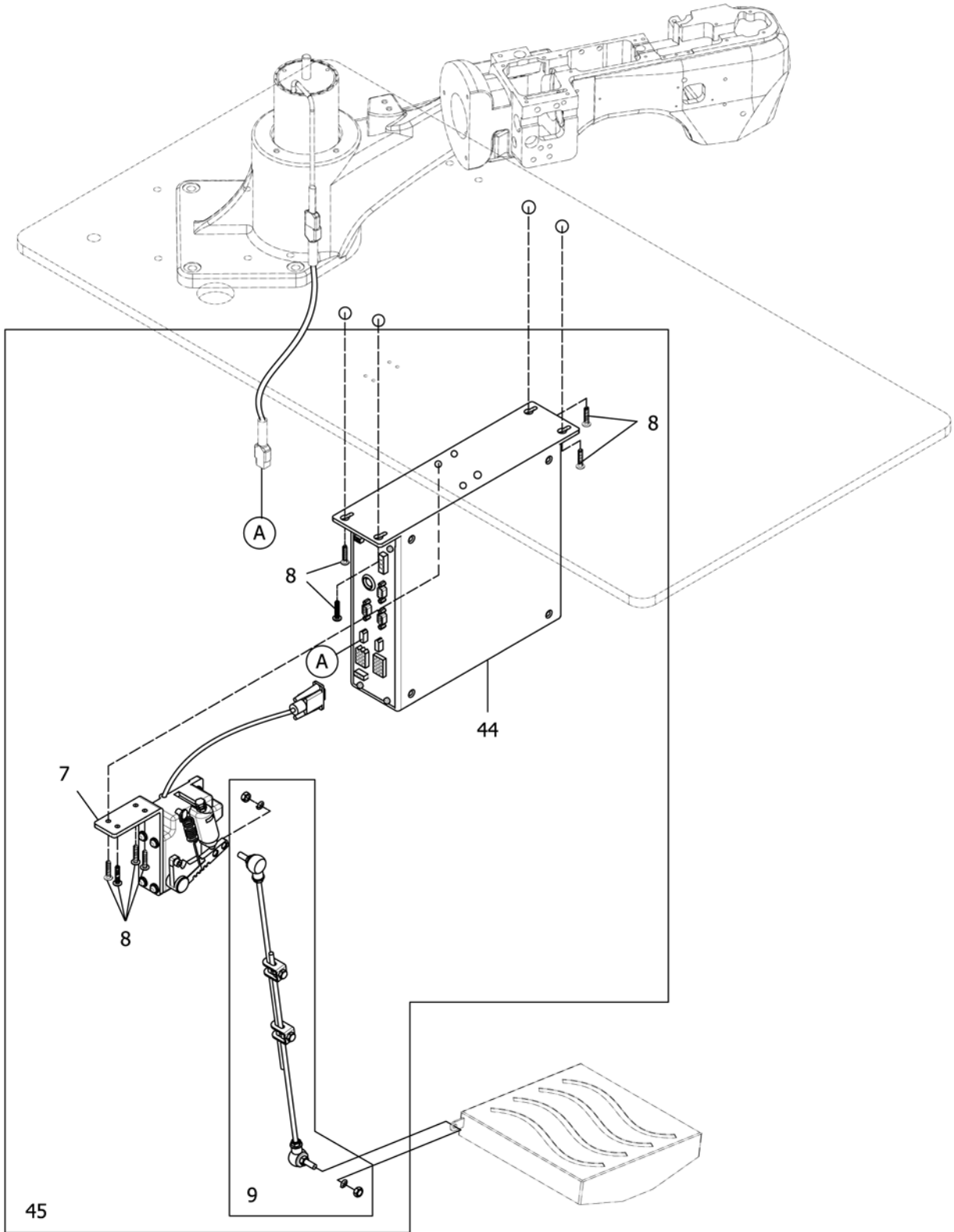


LUBRICATING MECHANISM

給油機構

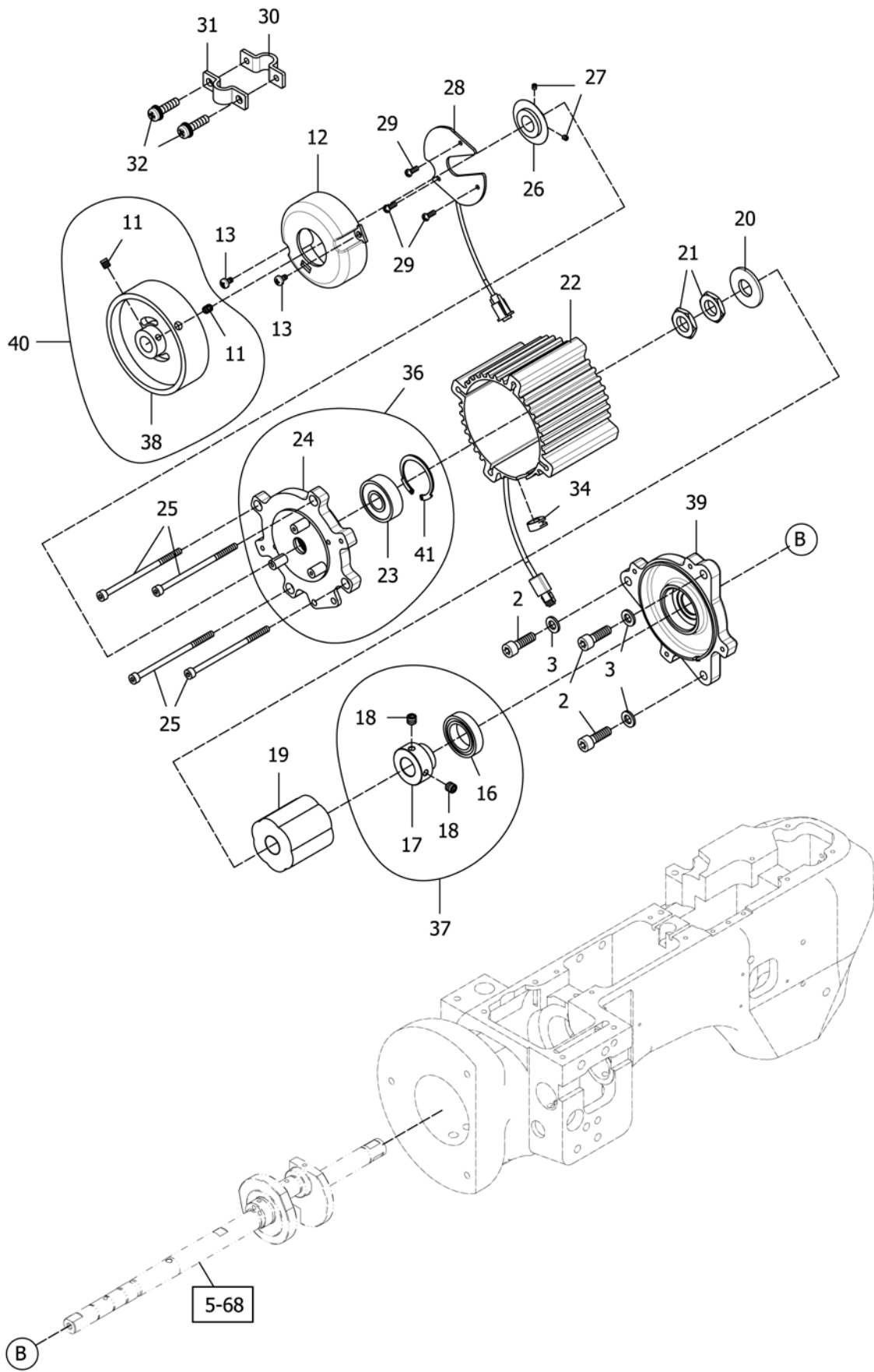
11

Ref.	Parts			Amt.
<u>No.</u>	<u>No.</u>	<u>Description</u>	<u>品 名</u>	<u>Req.</u>
43	07401143	Bushing(Front).....	套管.....	1
44	07401144	Bushing(Rear).....	套管.....	1
45	07401145	Screw (9/64-40X2).....	螺絲.....	2
46	07400425	Oil Seal.....	油封.....	1
51	07401151	Filter Condenser.....	過濾器.....	1
53	07401153	Filter Condenser C.Set.....	過濾器.....	1
55	07401155	Pump Housing Cover (Front) Unit.....	回油管路(前).....	1
56	07401156	Oil Receiver (Front).....	油量接收器(前).....	1
57	07401157	Fitting Stud Screw (Short) (3/16-32X7.5).....	放油螺絲(短).....	2
62	07401162	Oil Tube (ø3Xø5).....	油管.....	1
63	07401163	Oil Receiver (Rear).....	油量接收器(後).....	1
64	07401164	Fitting Stud Screw (Long) (3/16-32X10.2).....	放油螺絲(長).....	1
65	07401165	Oil Tube Holder.....	油管固定座.....	1
66	07401166	Suction Pipe.....	迴油管.....	1
67	07401167	Oil Tube. (ø2Xø4).....	油管.....	1
68	07401168	Pump Housing Cover (Rear) Unit.....	迴油管路(後).....	1
69	07400180	Screw (3/8-24X8).....	螺絲.....	1
71	07400662	Tube Clip.....	油管夾.....	1



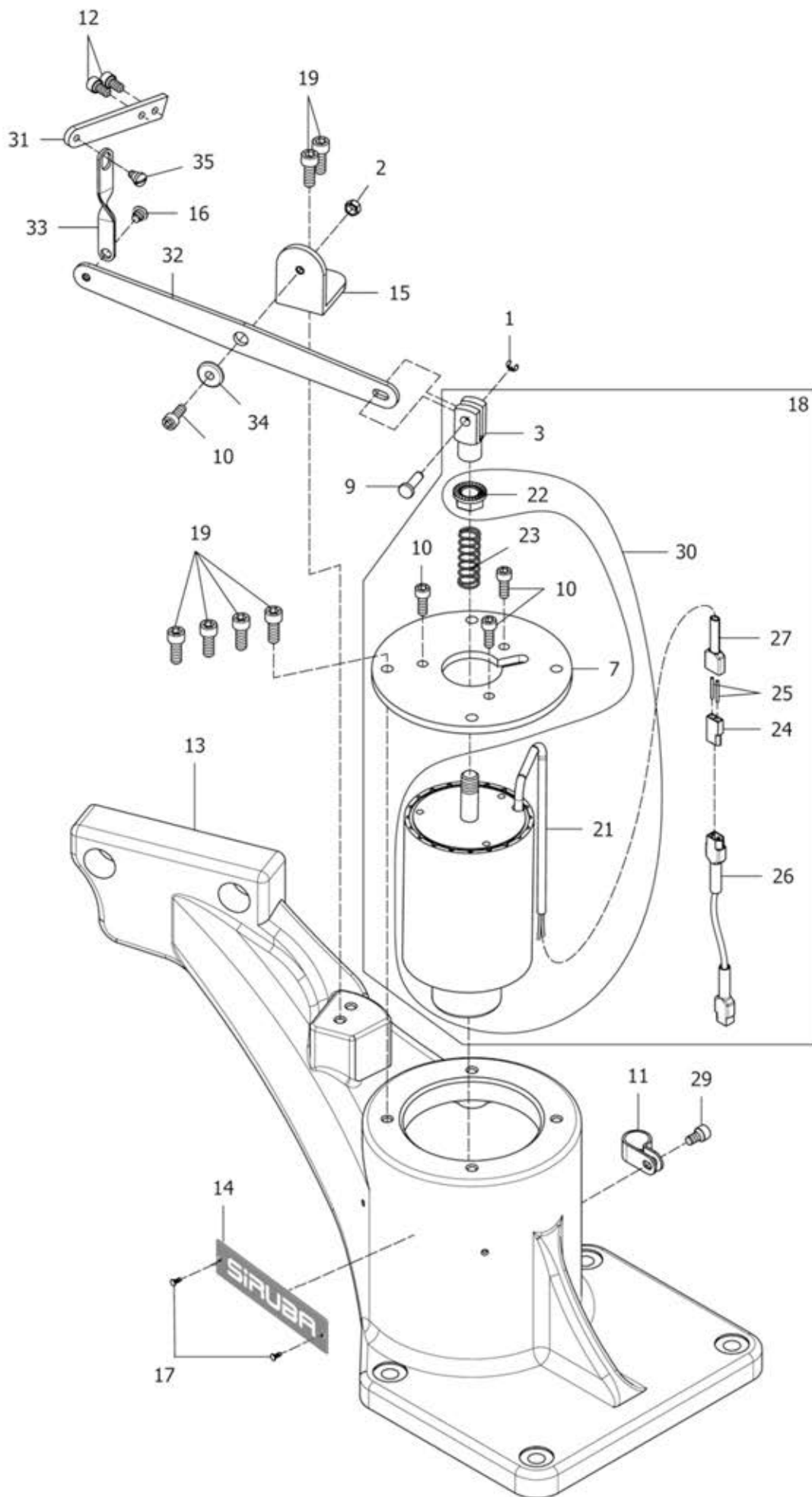
DEIRECTLY DRIVING TYPE MINI-SERVO MOTOR C.SET**伺服馬達機構****12**

Ref.	Parts			Amt.
No.	No.	Description	品 名	Req.
2	07401202	Screw (M6-1X20).....	螺絲.....	3
3	07870547	Washer.....	墊片.....	3
7	07401207	Starter.....	起動器.....	1
8	07401208	Wood Screw.....	木螺絲.....	8
9	07401209	Pitman.....	腳踏板連接桿.....	1
11	07401211	Screw(M5-0.8X6).....	螺絲.....	2
12	07401212	Motor Cover.....	馬達護蓋.....	1
13	07401213	Screw(M4-0.7X4).....	螺絲.....	2
16	07401216	Ball Bearing.....	滾珠軸承.....	1
17	07401217	Bearing Sleeve.....	培林襯套.....	1
18	07870648	Screw(M5-0.8X5).....	螺絲.....	2
19	07401219	Rotor.....	轉子.....	1
20	07401220	Washer.....	墊片.....	1
21	07401221	Nut.....	螺帽.....	2
22	07870583	Directly Driving Type Mini-Servo Motor.....	直驅式微型伺服馬達.....	1
23	07401223	Ball Bearing.....	滾珠軸承.....	1
24	07870586	Motor Cover (Rear).....	馬達後蓋.....	1
25	07401225	Screw(M4-0.7X75).....	螺絲.....	4
26	07401226	Encoder Disc.....	速度檢知板.....	1
27	07401227	Screw(M3-0.5X3).....	螺絲.....	2
28	07401228	Encoder Board.....	相位檢知板.....	1
29	07401229	Screw(M3-0.5X8).....	螺絲.....	3
30	07401230	Cord Holder(Tapping).....	線夾(螺孔).....	1
31	07401231	Cord Holder(Hole).....	線夾(光孔).....	1
32	07401232	Screw(M4-0.7X16).....	螺絲.....	2
34	07401234	Rubber Cushion.....	橡膠墊.....	1
36	07401236	Motor Cover (Rear) C.Set.....	馬達後蓋組.....	1
37	07401237	Bearing Sleeve C.Set.....	培林襯套組.....	1
38	07401238	Handwheel.....	手推輪.....	1
39	07401239	Motor Cover (Front).....	馬達前蓋.....	1
40	07401240	Handwheel C.Set.....	手推輪組.....	1
41	07401241	Retaining Ring.....	扣環.....	1
44	07401244	Control Box.....	控制箱.....	1
45	07401245	Control Box Set.....	控制箱組.....	1



DEIRECTLY DRIVING TYPE MINI-SERVO MOTOR C.SET**伺服馬達機構****12**

Ref.	Parts			Amt.
No.	No.	Description	品名	Req.
2	07401202	Screw (M6-1X20).....	螺絲.....	3
3	07870547	Washer.....	墊片.....	3
7	07401207	Starter.....	起動器.....	1
8	07401208	Wood Screw.....	木螺絲.....	8
9	07401209	Pitman.....	腳踏板連接桿.....	1
11	07401211	Screw(M5-0.8X6).....	螺絲.....	2
12	07401212	Motor Cover.....	馬達護蓋.....	1
13	07401213	Screw(M4-0.7X4).....	螺絲.....	2
16	07401216	Ball Bearing.....	滾珠軸承.....	1
17	07401217	Bearing Sleeve.....	培林襯套.....	1
18	07870648	Screw(M5-0.8X5).....	螺絲.....	2
19	07401219	Rotor.....	轉子.....	1
20	07401220	Washer.....	墊片.....	1
21	07401221	Nut.....	螺帽.....	2
22	07870583	Directly Driving Type Mini-Servo Motor.....	直驅式微型伺服馬達.....	1
23	07401223	Ball Bearing.....	滾珠軸承.....	1
24	07870586	Motor Cover (Rear).....	馬達後蓋.....	1
25	07401225	Screw(M4-0.7X75).....	螺絲.....	4
26	07401226	Encoder Disc.....	速度檢知板.....	1
27	07401227	Screw(M3-0.5X3).....	螺絲.....	2
28	07401228	Encoder Board.....	相位檢知板.....	1
29	07401229	Screw(M3-0.5X8).....	螺絲.....	3
30	07401230	Cord Holder(Tapping).....	線夾(螺孔).....	1
31	07401231	Cord Holder(Hole).....	線夾(光孔).....	1
32	07401232	Screw(M4-0.7X16).....	螺絲.....	2
34	07401234	Rubber Cushion.....	橡膠墊.....	1
36	07401236	Motor Cover (Rear) C.Set.....	馬達後蓋組.....	1
37	07401237	Bearing Sleeve C.Set.....	培林襯套組.....	1
38	07401238	Handwheel.....	手推輪.....	1
39	07401239	Motor Cover (Front).....	馬達前蓋.....	1
40	07401240	Handwheel C.Set.....	手推輪組.....	1
41	07401241	Retaining Ring.....	扣環.....	1
44	07401244	Control Box.....	控制箱.....	1
45	07401245	Control Box Set.....	控制箱組.....	1

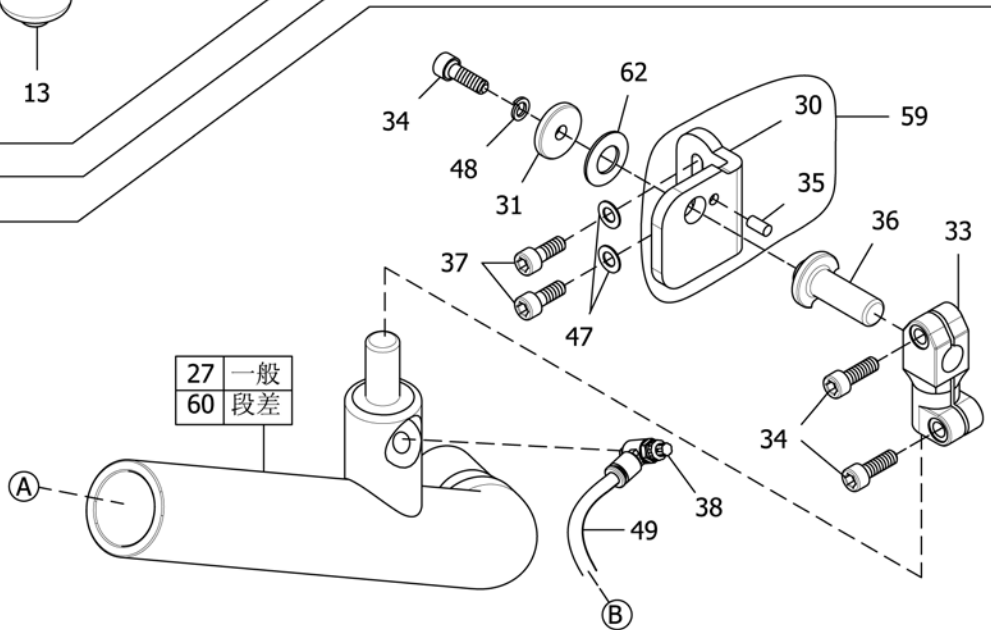
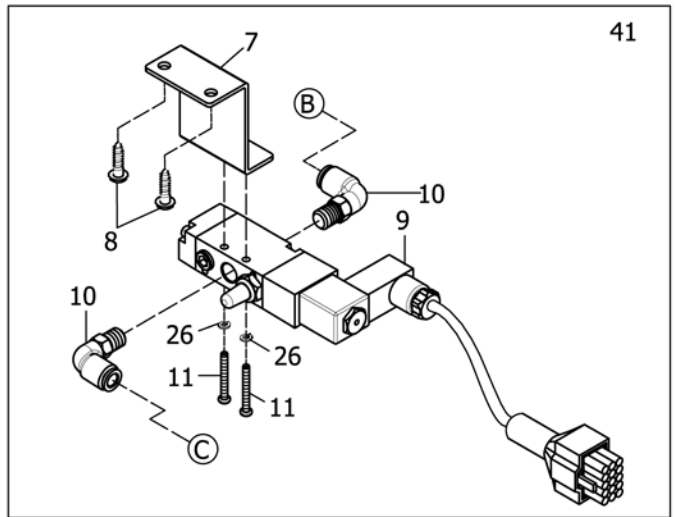
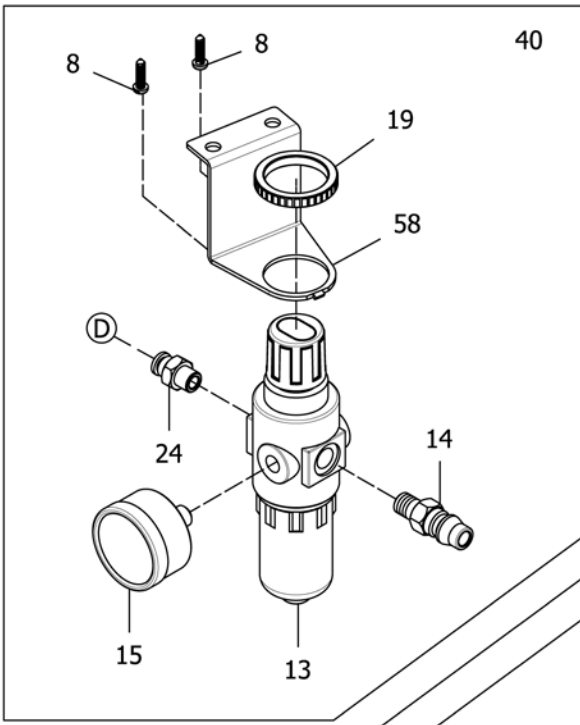
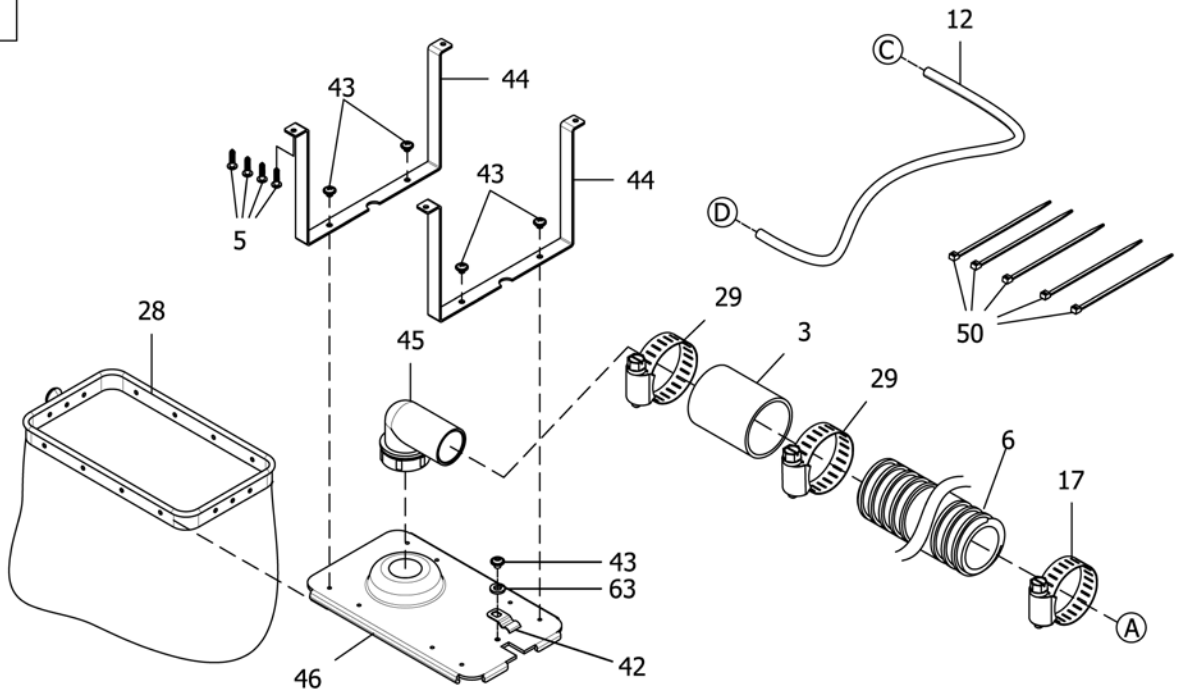


SUPPORTING BLOCK MECHANISM

車台固定座機構

14

Ref.	Parts			Amt.
<u>No.</u>	<u>No.</u>	<u>Description</u>	<u>品 名</u>	<u>Req.</u>
1	07401401	Retaining Ring.....	扣環.....	1
2	07871028	Nut.....	螺帽.....	1
3	07401403	Presser Foot Lifter Connector.....	擡押腳接頭.....	1
7	07401407	Fix Solenoid Plate.....	電磁鐵固定套.....	1
9	07401409	Fix Pin.....	轉接頭插銷.....	1
10	07804106	Screw(M5-0.8X14).....	螺絲.....	4
11	130101104	Cable Clamp (UC-3).....	配線固定鈕.....	1
12	07870628	Screw(M5-0.8X10).....	螺絲.....	2
13A	07401413A	Supporting Block.....	車台固定座.....	1
14	07870110	Emblem.....	銘牌.....	1
15	07401415	Center Bracket.....	中心座.....	1
16	07401416	Screw(3/16-32X3.5).....	螺絲.....	1
17	07870111	Rivet.....	鉚釘.....	2
18	07401418	Solenoid C.Set.....	電磁鐵組.....	1
19	07401419	Screw(M6-1X16).....	螺絲.....	6
21	07401421	Solenoid.....	電磁鐵.....	1
22	07401422	Nut.....	電磁鐵螺母.....	1
23	07401423	Spring.....	定位緩衝壓簧.....	1
24	07401424	Joint.....	端子座.....	1
25	07401425	Terminal.....	端子.....	1
26	07401426	Relay Line.....	擡押腳中繼線.....	1
27	07401427	Rubber Cover.....	膠套.....	1
29	07401429	Screw(M5-0.8X10).....	螺絲.....	1
30	07401430	Solenoid C.Set.....	電磁鐵組.....	1
31	07401431	Presser Foot Lifter Connecting Lever(S).....	擡押腳連接片(小).....	1
32	07401432	Presser Foot Lifter Connecting Lever(L).....	擡押腳連接片(大).....	1
33	07401433	Presser Foot Lifter Switch Lever.....	擡押腳轉接片.....	1
34	07401434	Center Sleeve.....	中心襯套.....	1
35	07400702	Screw(3/16-32X4).....	螺絲.....	1

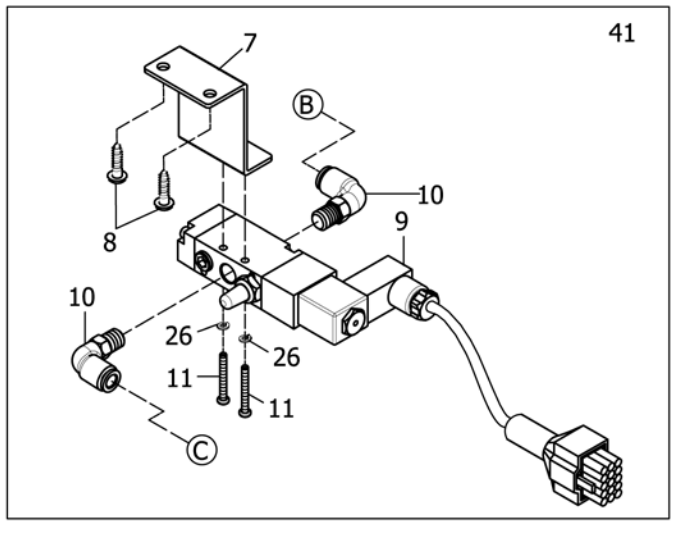
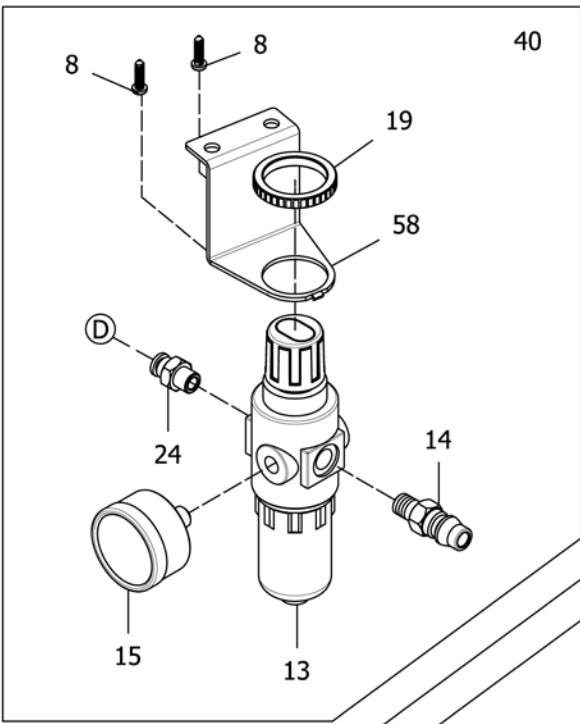
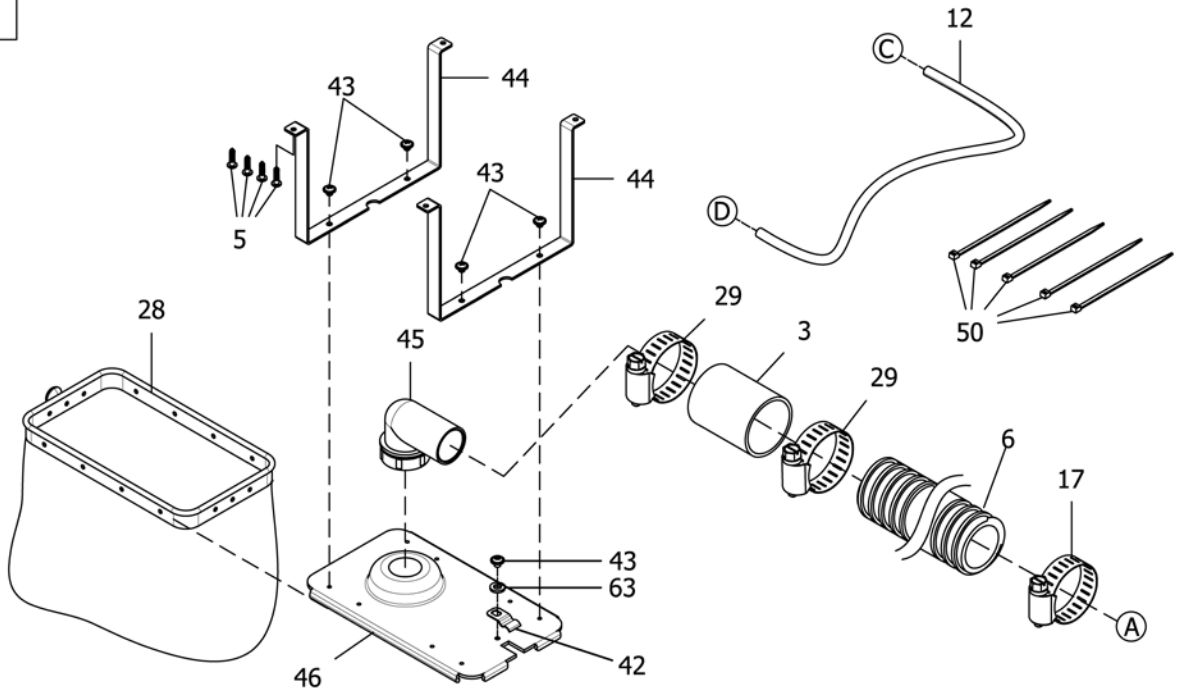


2	一般
61	段差

27	一般
60	段差

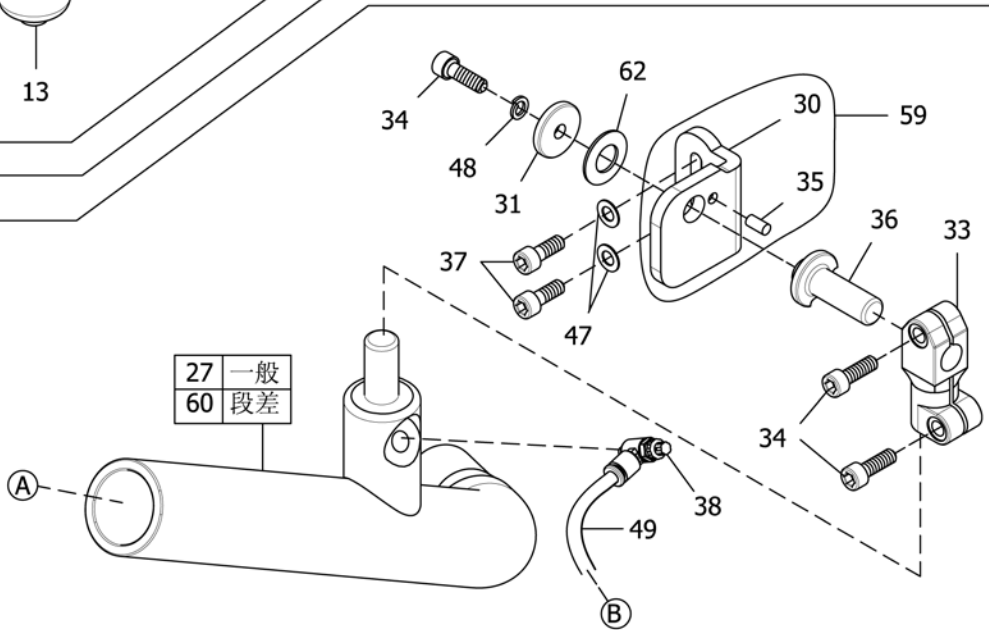
外接式吸布屑組-AW1 (選擇配備)

Ref.	Parts			Amt.
<u>No.</u>	<u>No.</u>	<u>Description</u>	<u>品 名</u>	<u>Req.</u>
1A	07401501A	AW Clear System.....	吸風組.....	1
2A	07401502A	AW Tube System.....	吸風管組.....	1
3A	07401503A	Connect Tube.....	接管.....	1
5	07804705	Wood Screw.....	木螺絲.....	4
6A	07401506A	Tube.....	風管.....	1
7	07804807	Bracket.....	托架.....	1
8	07872402	Wood Screw.....	木螺絲.....	4
9	07804809	Solenoid Valve.....	電磁閥.....	1
10	07804710	Coupler.....	轉接頭.....	2
11	07804811	Screw (M3-0.5X24).....	螺絲.....	2
12	07804712	Tube.....	風管.....	1
13	07872408	Pneumatic Regulator.....	氣壓調節器.....	1
14	07872405	Coupler.....	轉接頭.....	1
15	07872407	Gauge.....	氣磅表.....	1
17	07401517	Fixed Ring.....	套環(21-38).....	1
19	07872404	Screw Ring.....	螺環.....	1
24	07872401	Coupler.....	轉接頭.....	1
26	07804826	Spring Washer.....	彈簧墊片.....	2
27A	07401527A	Clear Pipe	吸屑管(一般用).....	1
28	07804728	Bag.....	布袋.....	1
29	07401529	Fixed Ring.....	套環(19-44).....	2
30	07401530	Bracket.....	托架.....	1
31	07401531	Washer.....	墊片.....	1
33	07401533	Connecting Rod.....	連桿.....	1
34	07401534	Screw (M5-0.8X16).....	螺絲.....	3
35	07401535	Pin.....	插銷.....	1
36	07401536	Connecting Rod Pin.....	連桿插銷.....	1
37	07804106	Screw (M5-0.8X14).....	螺絲.....	2
38A	07401538A	Speed Connector.....	調速接頭(B式).....	1
40	07804716	Pneumatic Regulator C.Set.....	氣壓調節器組.....	1
41	07804835	Electromagnetic Valve C.Set.....	氣壓電磁閥組.....	1



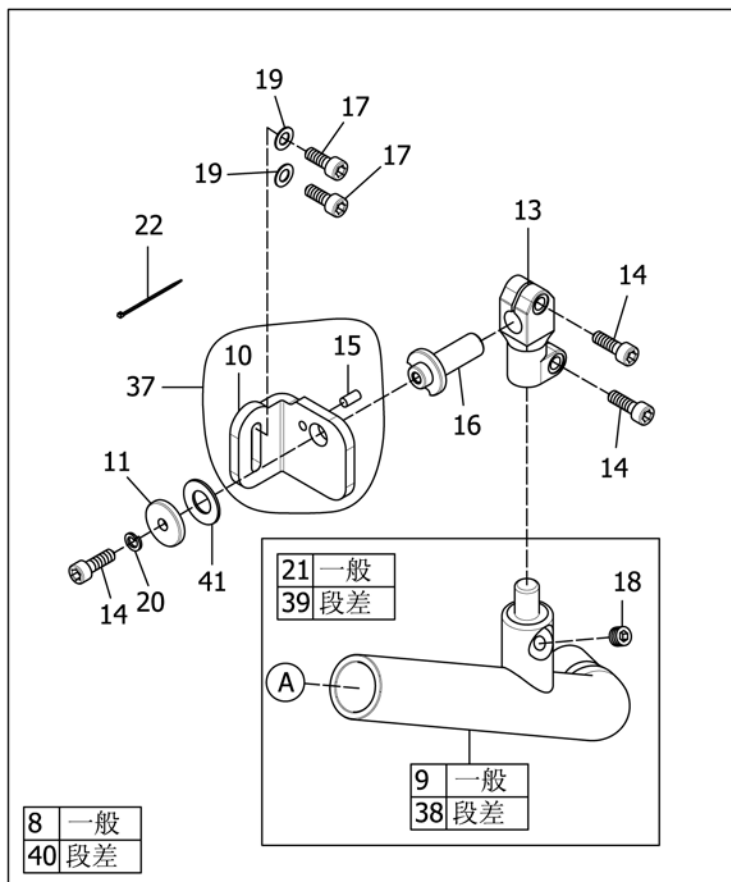
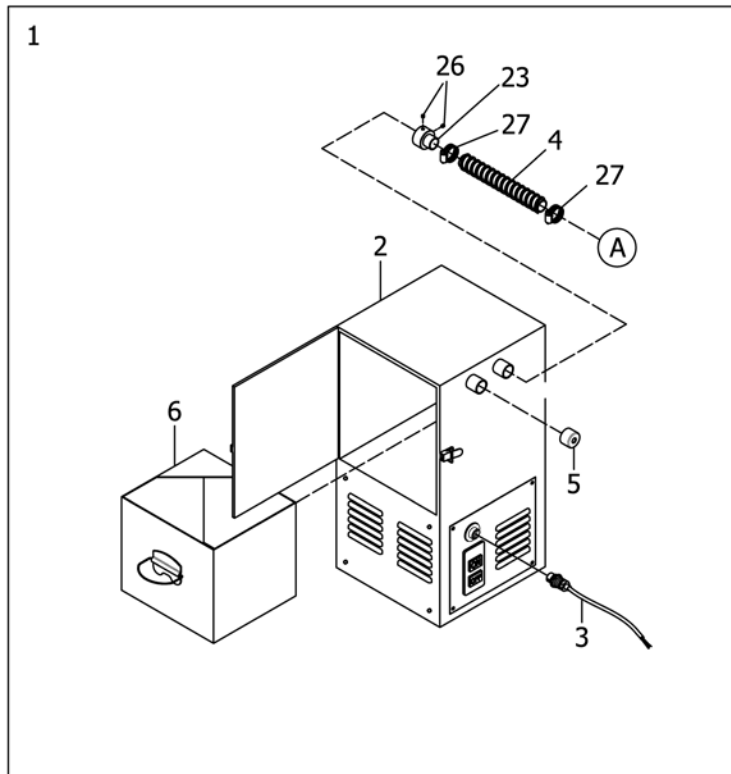
2	一般
61	段差

27	一般
60	段差



外接式吸布屑組-AW1 (選擇配備)

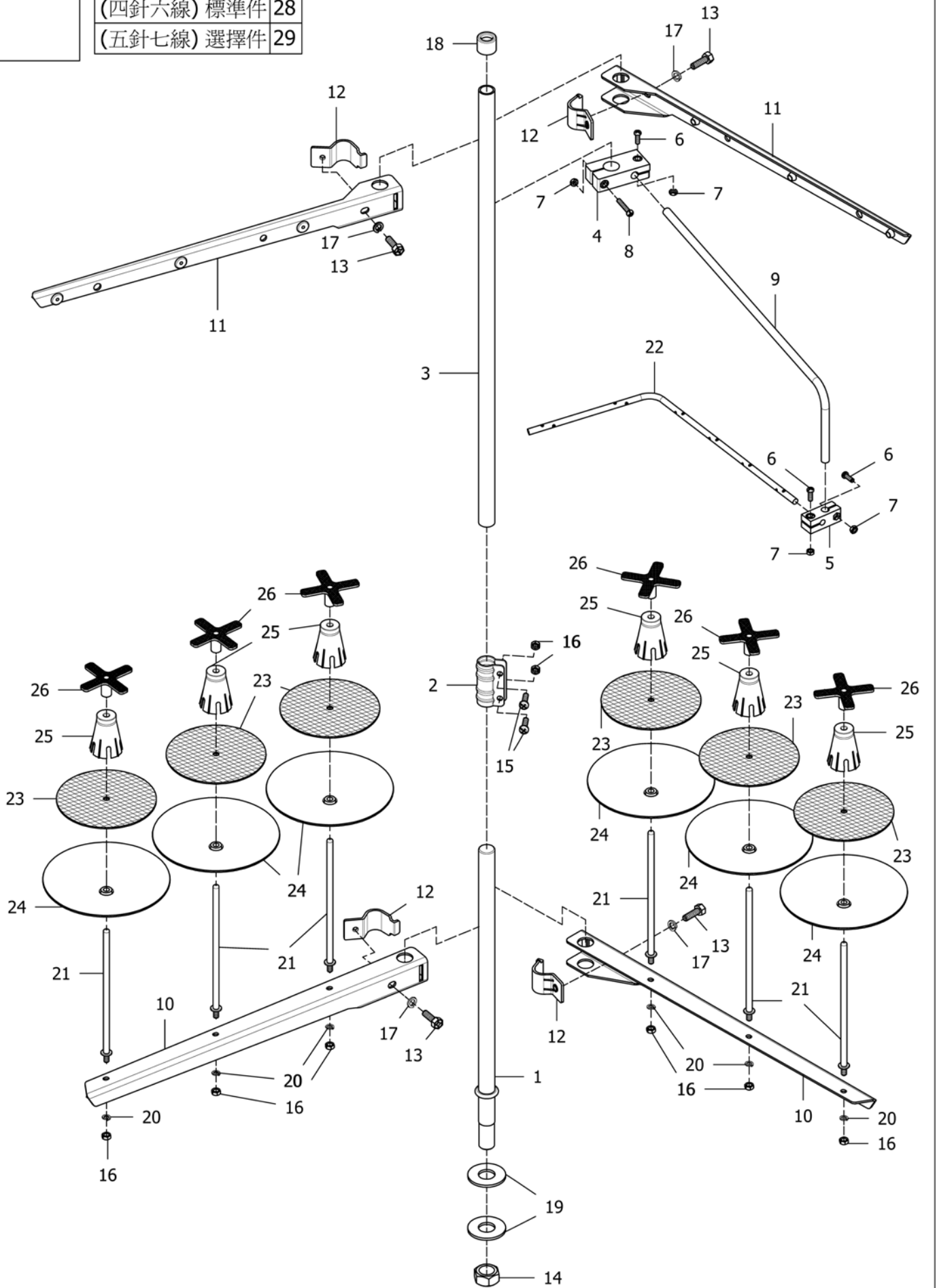
Ref.	Parts			Amt.
<u>No.</u>	<u>No.</u>	<u>Description</u>	<u>品 名</u>	<u>Req.</u>
42	07804734	Spring Washer.....	彈片.....	1
43	07804733	Screw (M4-0 7X3 5).....	螺絲.....	5
44	07804732	Holder.....	固定座.....	2
45	07401545	Clear Pipe.....	吸屑管.....	1
46	07804730	Cover.....	布屑蓋.....	1
47	07401547	Washer.....	墊片(有加強).....	2
48	07401548	Washer.....	彈簧防振墊片.....	1
49	07401549	Tube (Blue).....	氣管(藍)(6mmX120cm).....	1
50	130101002	Ties.....	束線帶(CV-250).....	5
58	07872403	Bracket.....	托架.....	1
59	07401559	Bracket C.Set.....	托架組.....	1
60	07401560	Clear Pipe (For 02-4LXX).....	吸屑管(段差用).....	1
61	07401561	AW Tube System (For 02-4LXX).....	吸風管組(段差用).....	1
62	07401562	Conical Spring Washer.....	錐形彈簧墊圈.....	1
63	07401563	Washer.....	墊片.....	1



密封式(箱型)吸布屑組-EW2(選擇配備)

Ref.	Parts			Amt.
<u>No.</u>	<u>No.</u>	<u>Description</u>	<u>品 名</u>	<u>Req.</u>
1	07401601	AW Case C.Set.....	吸風箱組.....	1
2	07804502	Air Case.....	吸風箱.....	1
3	07804503	Electric Wire.....	電源線.....	1
4A	07401506A	Tube.....	風管.....	1
5	07804505	Plug.....	塞子.....	1
6	07804506	Case.....	布屑集中盒.....	1
8	07401608	AW Tube System.....	吸風管組.....	1
9A	07401527A	Clear Pipe.....	吸屑管(一般用).....	1
10	07401530	Bracket.....	托架.....	1
11	07401531	Washer.....	墊片.....	1
13	07401533	Connecting Rod.....	連桿.....	1
14	07401534	Screw (M5-0.8X16).....	螺絲.....	3
15	07401535	Pin.....	插銷.....	1
16	07401536	Connecting Rod Pin.....	連桿插銷.....	1
17	07804106	Screw (M5-0.8X14).....	螺絲.....	2
18	07401618	Screw (1/8PTX7).....	螺絲.....	1
19	07401547	Washer.....	墊片.....	2
20	07401548	Washer.....	彈簧防振墊片.....	1
21A	07401621A	Clear Pipe C.Set.....	吸屑管組.....	1
22	130101002	Ties.....	束線帶(CV-250).....	5
23	07401623	Connect Tube.....	接管.....	1
26	07401626	Screw (M6-1X5).....	螺絲.....	2
27	07401517	Fixed Ring.....	套環(21-38).....	2
37	07401559	Bracket C.Set.....	托架組.....	1
38	07401560	Clear Pipe (For 02-4LXX).....	吸屑管(段差用).....	1
39	07401639	Clear Pipe C.Set (For 02-4LXX).....	吸屑管組(段差用).....	1
40	07401640	AW Tube System (For 02-4LXX).....	吸風管組(段差用).....	1
41	07401562	Conical Spring Washer.....	錐形彈簧墊圈.....	1

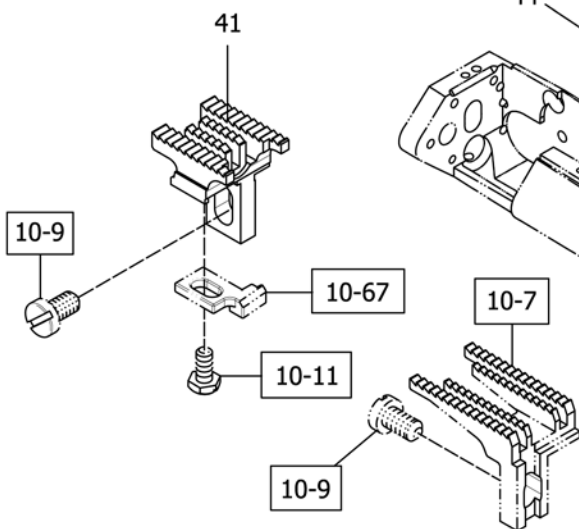
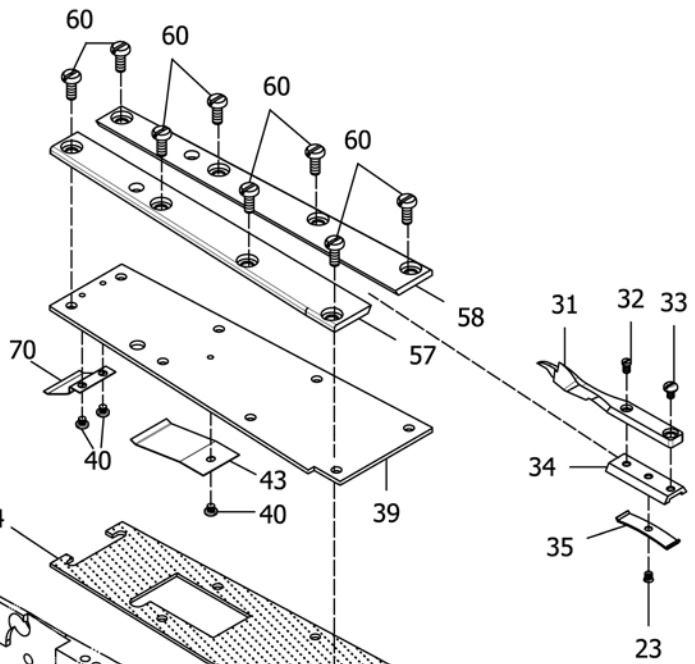
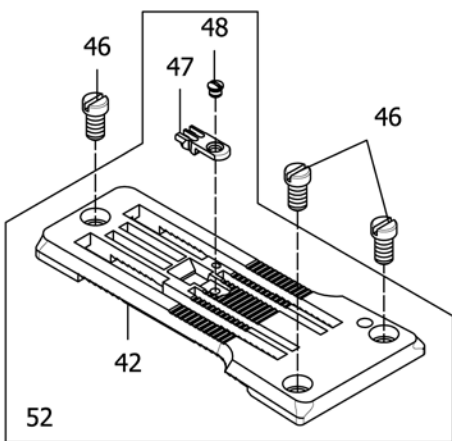
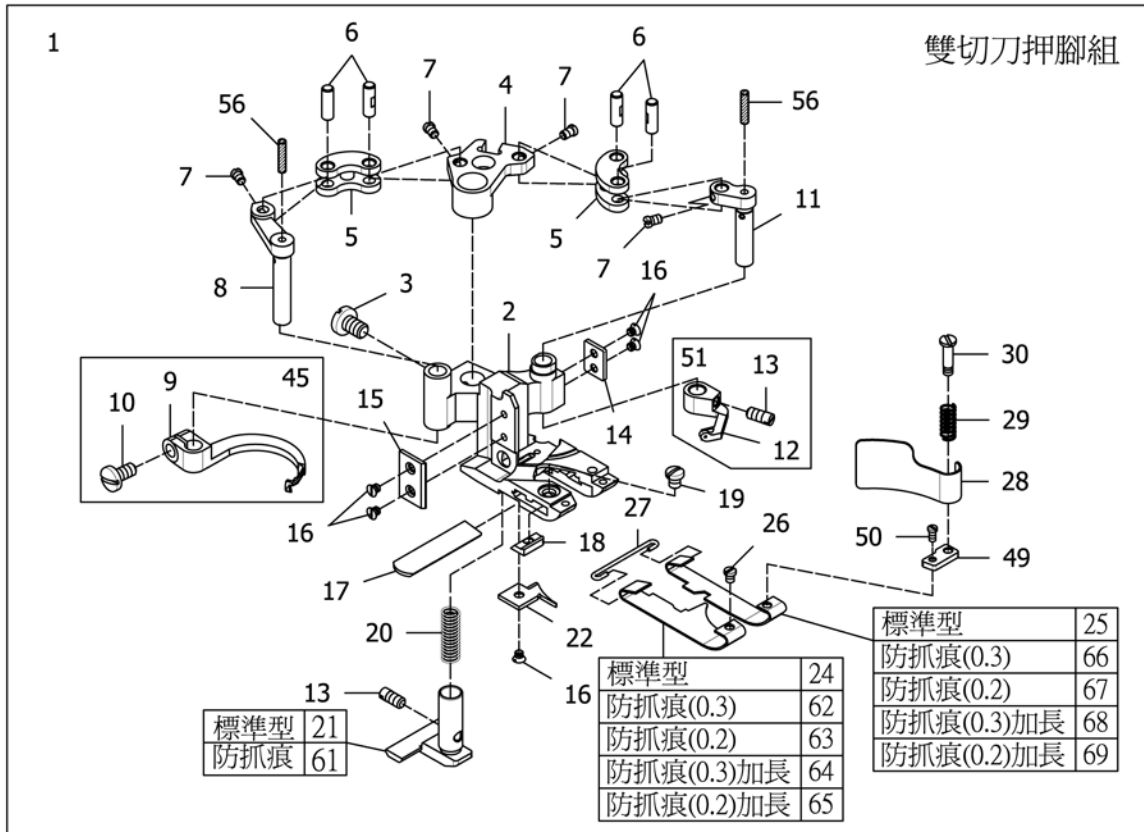
(四針六線) 標準件	28
(五針七線) 選擇件	29



THREAD STAND**線架組****17**

Ref.	Parts			Amt.
No.	No.	Description	品名	Req.
1	07401701	Column Pipe (Lower).....	下線柱.....	1
2	07401702	Column Pipe Connector.....	線柱接頭.....	1
3	07401703	Column Pipe(Upper).....	上線柱.....	1
4	07401704	Thread Guide Holder (Large).....	大過線桿固定座.....	1
5	07401705	Thread Guide Holder (Small).....	小過線桿固定座.....	1
6	07401706	Screw (M4-0.7X11.9).....	螺絲.....	3
7	07401707	Nut.....	螺帽.....	4
8	07401708	Screw (M4-0.7X24.6).....	螺絲.....	1
9	07401709	Thread Guide Arm.....	過線桿連接臂.....	1
10	07401710	Spool Stand (3 Spool Type).....	3孔線軸架.....	2
11	07401711	Thread Hanger (3 Spools Type).....	3孔過線吊臂.....	2
12	07401712	Column Pipe Connector.....	線柱接頭4.....	4
13	07401713	Screw (M6-1X16.8).....	螺絲.....	4
14	07401714	Nut.....	螺帽.....	1
15	07401715	Screw (M5-0.8X16.8).....	螺絲.....	2
16	07401716	Nut.....	螺帽.....	8
17	07401717	Spring Washer.....	彈簧墊片.....	4
18	07401718	Column Cap.....	柱頭蓋.....	1
19	07401719	Washer.....	墊片.....	2
20	07401720	Spring Washer.....	彈簧墊片.....	6
21	07401721	Spool Pin.....	線軸柱.....	6
22	07401722	Thread Guide (6 Spool Type).....	6孔過線桿.....	1
23	07401723	Spool Mat.....	線軸墊.....	6
24	07401724	Spool Seat Disc.....	線軸底盤.....	6
25	07401725	Spool Cushion.....	線軸避震座.....	6
26	07401726	Rubber Spool Cushion.....	橡膠線軸避震座.....	6
28	07401728	Thread Stand.....	線架(四針六線).....	1
29	07401729	Thread Stand.....	線架(五針七線).....	1

雙切刀押腳組

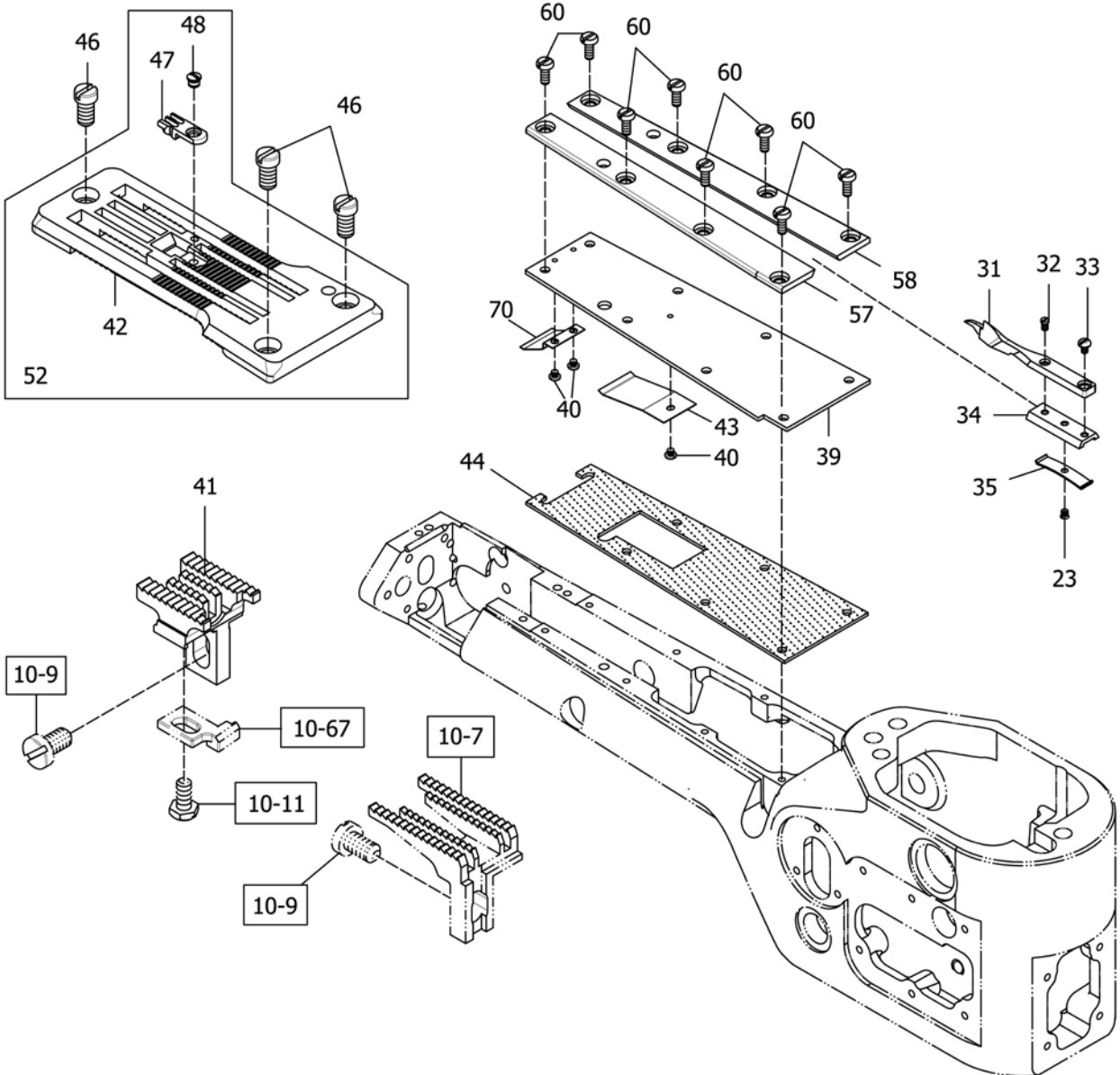
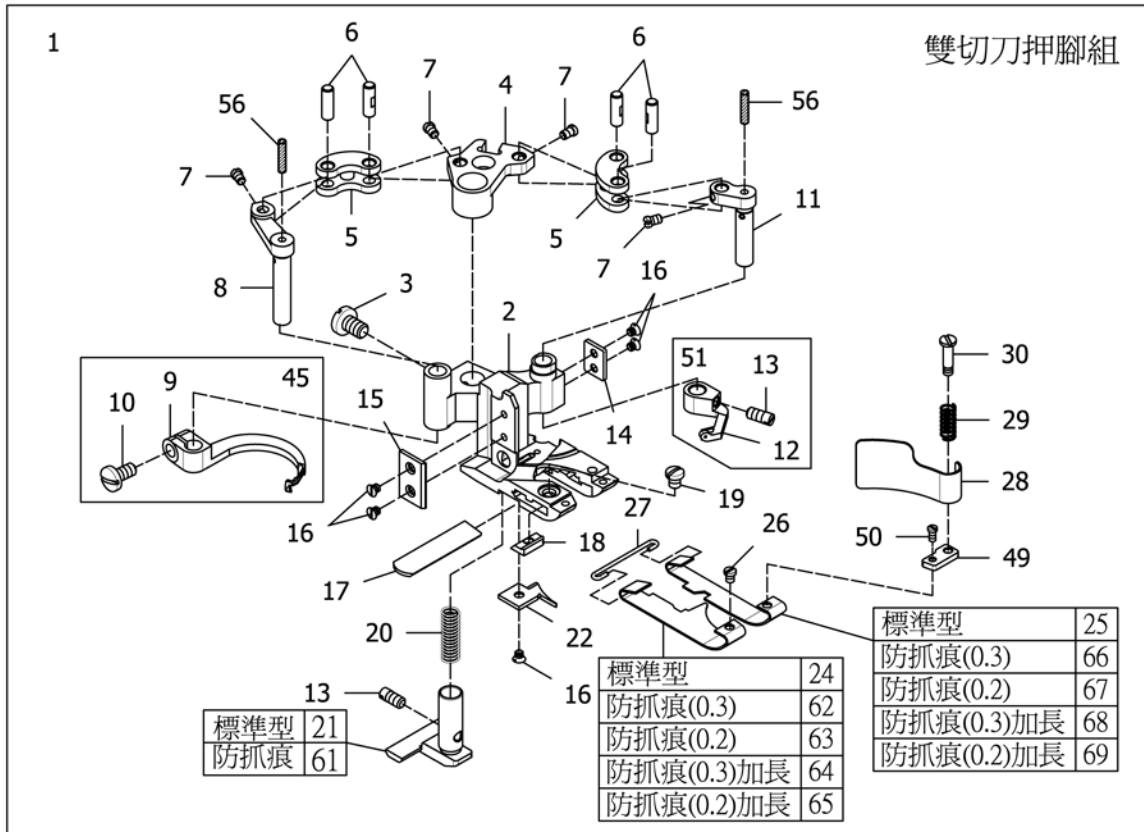


DOUBLE SIDE CUT PRESSER FOOT MECHANISM**雙切押腳機構****18**

Ref.	Parts			Amt.
No.	No.	Description	品名	Req.
1	★	Double Side Cut Presser Foot C. Set.....	雙切押具組.....	1
2	★	Double Side Cut Presser Foot.....	雙切押腳.....	1
3	07400615	Screw (11/64-40X6.3).....	螺絲.....	1
4	★ 07400616	Carrier/Hook Driving Segment.....	上勾針驅動扇形片.....	1
5	★ 07400617	Carrier/Hook Driving Lever Link.....	上勾針驅動連桿.....	2
6	★ 07400618	Link Pin.....	連桿插銷.....	4
7	07400619	Screw (3/32-56X3.3).....	螺絲.....	4
8	★ 07400620	Thread Hook Driving Lever.....	勾針驅動槓桿.....	1
9	★ 07400621MF	Top Cover Thread Hook.....	上飾線勾針(長).....	1
10	07400622	Screw (9/64-40X6.8).....	螺絲.....	1
11	★ 07400623	Top Cover Thread Carrier Driving Lever.....	上飾線托架驅動槓桿.....	1
12	★ 07400624MF	Top Cover Thread Carrier.....	上飾線勾針(短).....	1
13	07400338	Screw (1/8-44X5).....	螺絲.....	2
14	★ 07400626	Presser Foot Attach Piece (Right).....	押腳連接片(右).....	1
15	★ 07400627	Presser Foot Attach Piece (Left).....	押腳連接片(左).....	1
16	07400628	Screw(3/32-56X2.4).....	螺絲.....	5
17	★ 07400629	Lower Knife.....	下切刀片.....	1
18	★ 07400630	Lower Knife Clamp.....	下切刀夾板.....	1
19	07400631	Screw (1/8-44X3.5).....	螺絲.....	1
20	★ 07400632	Yielding Section Spring.....	押具輔助座彈簧.....	1
21	★ 07401821	Yielding Section.....	押具輔助座.....	1
22	★ 07401822	Presser Foot Tongue.....	導布板.....	1
23	07401823	Screw (3/32-56X2).....	螺絲.....	1
24	★ 07401824	Presser Foot Spring Plate (Left).....	押具押板(左).....	1
25	★ 07401825	Presser Foot Spring Plate (Right).....	押具押板(右).....	1
26	07400637	Screw (3/32-56X2.6).....	螺絲.....	1
27	★ 07400638	Spring Plate Holder.....	彈簧片固定座.....	1
28	★ 07401828	Chip Guard.....	切角防護片.....	1
29	★ 07400640	Chip Guard Spring.....	切角防護片彈簧.....	1
30	07400641	Screw (1/8-44X3.4).....	螺絲.....	1
31	★ 07401831	Lap Former Guide.....	導布器.....	1
32	07401832	Screw (3/32-56X3.5).....	螺絲.....	1
33	07401833	Screw (3/32-56X3.9).....	螺絲.....	1
34	★ 07401834	Lap Former Guide Support.....	導布器座.....	1
35	★ 07401835	Lap Former Guide Spring.....	導布器彈簧片.....	1
39A	★ 07401839A	Sewing Cylinder Cover (Upper).....	下巴蓋板.....	1
40	07400221	Screw (3/32-56X1.8).....	螺絲.....	3

★ 請參照附件1【針距規格表】

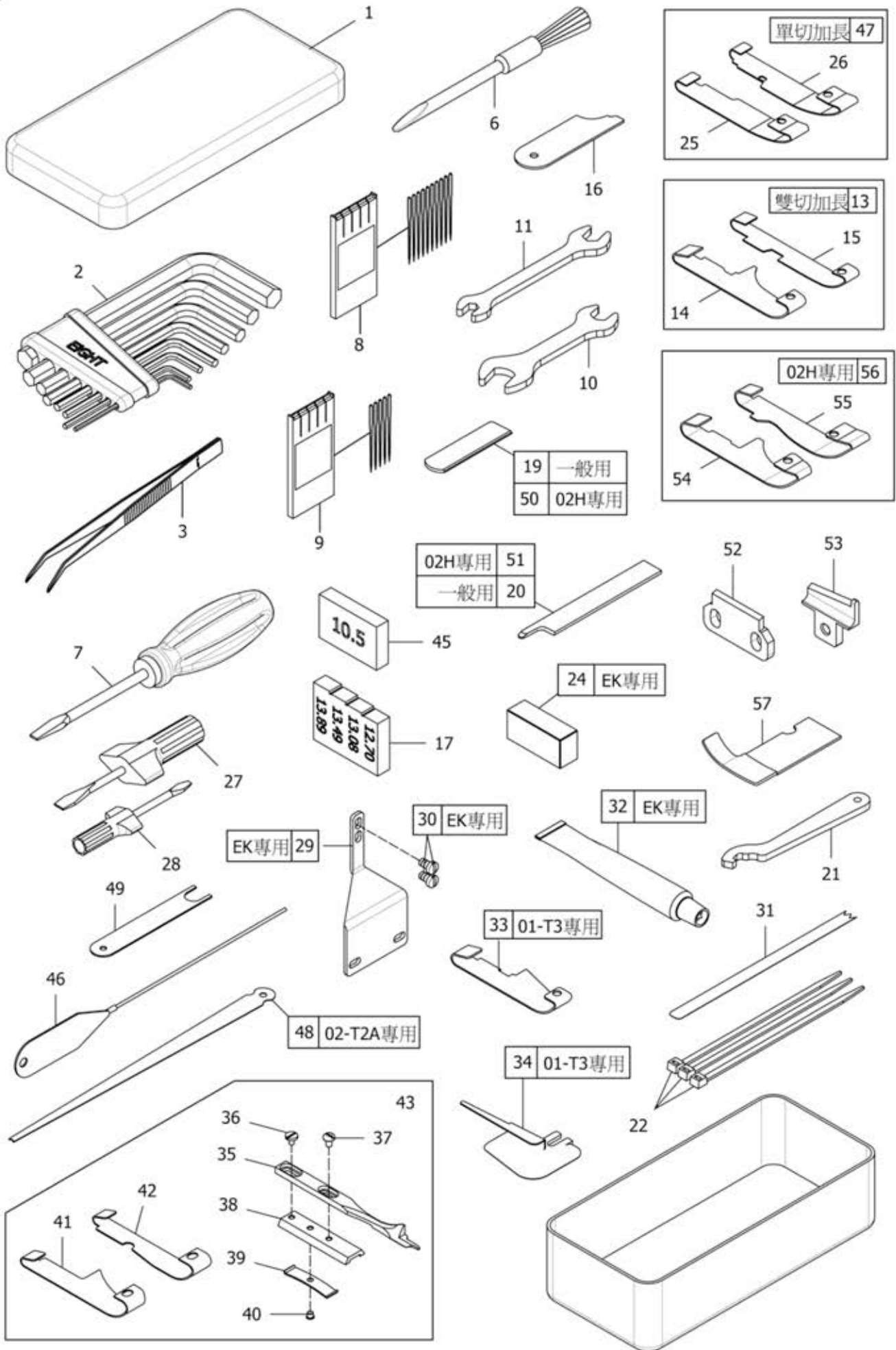
雙切刀押腳組



DOUBLE SIDE CUT PRESSER FOOT MECHANISM**雙切押腳機構****18**

Ref. No.	Parts No.	Description	品名	Amt. Req.
41	★ 07401841	Main Feed Dog.....	雙切後送齒.....	1
42A	★	Stitch Plate.....	雙切針板.....	1
43	07400220	Dust Defender (Upper).....	防塵蓋(上).....	1
44A	07400217A	Seal Gasket.....	止油墊片.....	1
45	07400646MF	Top Cover Thread Hook C.Set.....	上飾線勾針組(長).....	1
46	07400538	Screw (9/64-40X7.5).....	螺絲.....	3
47	★	Stitch Plate Tongue.....	針板舌.....	1
48	07400547	Screw (3/32-56X2).....	螺絲.....	1
49	★ 07400649	Spacer.....	墊塊.....	1
50	07400650	Screw (3/32-56X4.8).....	螺絲.....	1
51	07400647MF	Top Cover Thread Carrier C.Set.....	上飾線勾針組(短).....	1
52A	★	Stitch Plate C.Set.....	針板組.....	1
56	★ 07400651	Green Wool.....	綠色毛線.....	2
57	★ 07401857	Lap Former Guide Plate (Left).....	導布器滑軌(左).....	1
58	★ 07401858	Lap Former Guide Plate (Right).....	導布器滑軌(右).....	1
60	07400245	Screw (1/8-44X10).....	螺絲.....	8
61	07401861	Yielding Section.....	押具輔助座(防抓痕).....	1
62	07401862	Presser Foot Spring Plate (Left).....	押具押板(左)防抓痕(0.3)....	1
63	07401863	Presser Foot Spring Plate (Left).....	押具押板(左)防抓痕(0.2)....	1
64	07401864	Presser Foot Spring Plate (Left).....	押具押板(左)防抓痕(0.3)加長	1
65	07401865	Presser Foot Spring Plate (Left).....	押具押板(左)防抓痕(0.2)加長	1
66	07401866	Presser Foot Spring Plate (Right).....	押具押板(右)防抓痕(0.3)....	1
67	07401867	Presser Foot Spring Plate (Right).....	押具押板(右)防抓痕(0.2)....	1
68	07401868	Presser Foot Spring Plate (Right).....	押具押板(右)防抓痕(0.3)加長	1
69	07401869	Presser Foot Spring Plate (Right).....	押具押板(右)防抓痕(0.2)加長	1
70	07400256	Dust Defender (Upper).....	防塵蓋(上).....	1

★ 請參照附件1【針距規格表】



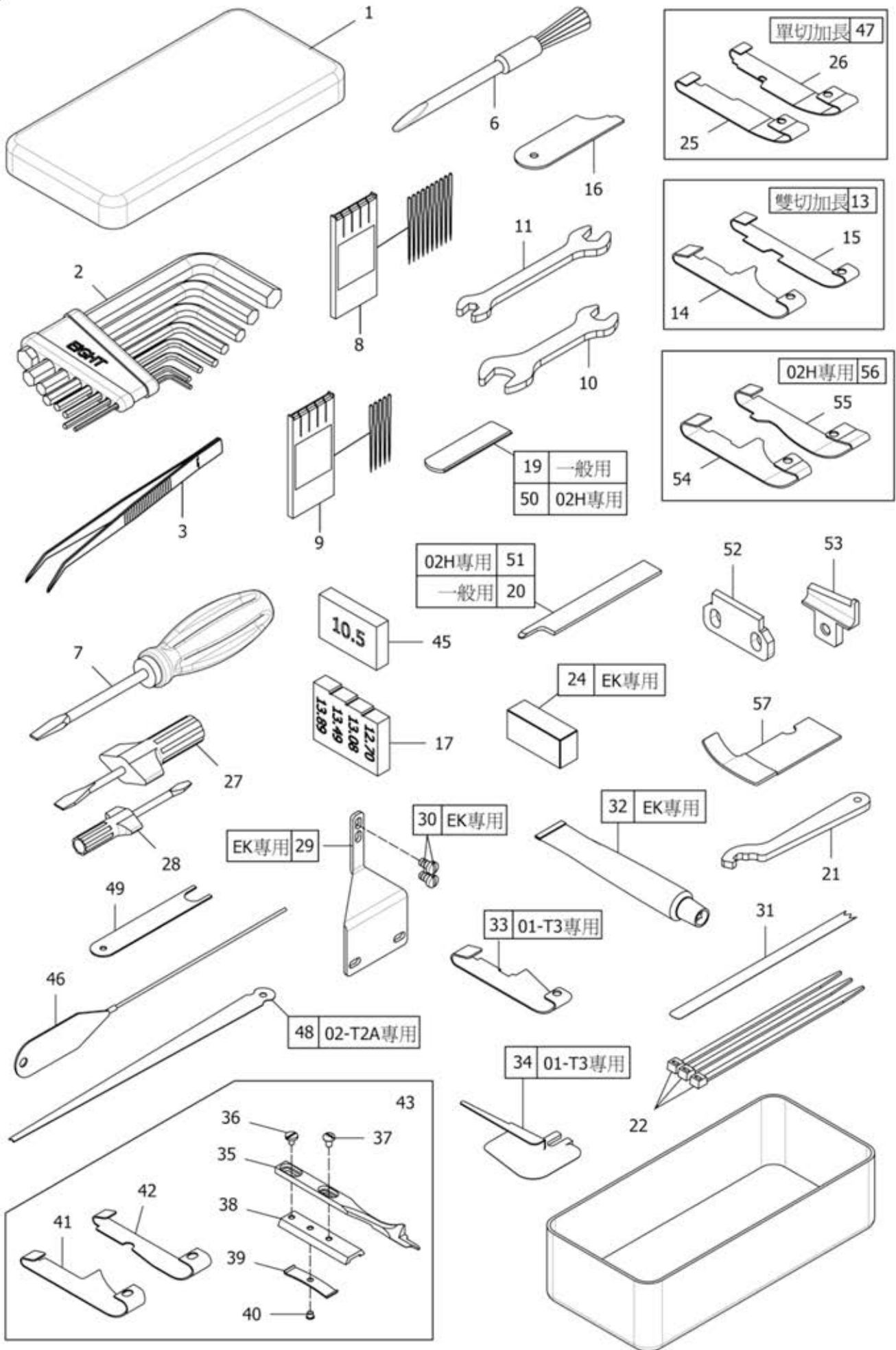
ATTACHMENT BOX

附件盒

19

Ref.	Parts			Amt.
<u>No.</u>	<u>No.</u>	<u>Description</u>	<u>品 名</u>	<u>Req.</u>
1	07873222	Attachment Box.....	附件盒.....	1
2	07401902	Hexagonal Wrench C. Set.....	內六角扳手組.....	1
3	07401903	Thread Tweezers.....	穿線夾.....	1
6	07873226	Hairbrush.....	毛刷.....	1
7A	07873218A	Screwdriver.....	螺絲起子.....	1
8	★	Needle.....	機針.....	10
9	★	Needle.....	假針.....	5
10	07401910	Wrench.....	扳手.....	1
11	07401911	Wrench.....	扳手.....	1
13	07401913	Presser Foot Spring Plate C. Set (Double Side Cut)	押腳押具組(長)(雙切).....	1
14	07401914	Presser Foot Spring Plate (Left)(Double Side Cut)	押具押板(左)(長)(雙切).....	1
15	07401915	Presser Foot Spring Plate (Right)(Double Side Cut)	押具押板(右)(長)(雙切).....	1
16	07401916	Looper Gauge.....	勾針前後調節扳手.....	1
17A	07401314A	Needle Height Gauge.....	針棒高度調節器.....	1
19	★ 07400629	Lower Knife.....	下切刀片(一般用).....	1
20	★ 07400744	Upper Knife.....	上切刀片(一般用).....	1
21	07401921	Adjusting Gauge.....	調節扳手.....	1
22	130101003	Ties.....	束線帶.....	3
24A	07401924A	Knife Adjustable Bolck.....	調整刀片墊塊(EK專用).....	1
25A	07401925A	Presser Foot Spring Plate (Left)(One Side Cut)	押具押板(左)(長)(單切).....	1
26A	07401926A	Presser Foot Spring Plate (Right)(One Side Cut)	押具押板(右)(長)(單切).....	1
27A	07873216A	Screwdriver.....	螺絲起子.....	1
28A	07873217A	Screwdriver.....	螺絲起子.....	1
29	07401929	Switches Holder.....	電眼架(正面)(EK專用).....	1
30	07870624	Screw (1/8-44X7.5).....	螺絲(一字).....	2
31	07401931	Thread Type.....	導布條器(T1. T2. T3. T4. T5專用)	1
32	27901502	Grease Tube.....	潤滑脂(EK專用).....	1
33	07401933	Presser Foot Spring Plate (Left).....	押具押板(左)(01-T3專用)	1
34	07400215	Folder.....	導布器(01-T3專用).....	1
35	07401935	Lap Former Guide.....	導布器.....	1
36	07400314	Screw (3/32-56X3.1).....	螺絲.....	1
37	07401833	Screw (3/32-56X3.9).....	螺絲.....	1
38	07403534	Lap Former Guide Support.....	導布器座.....	1
39	07401835	Lap Former Guide Spring.....	導布器彈簧片.....	1
40	07401823	Screw (3/32-56X2).....	螺絲.....	1

★ 請參照附件1【針距規格表】



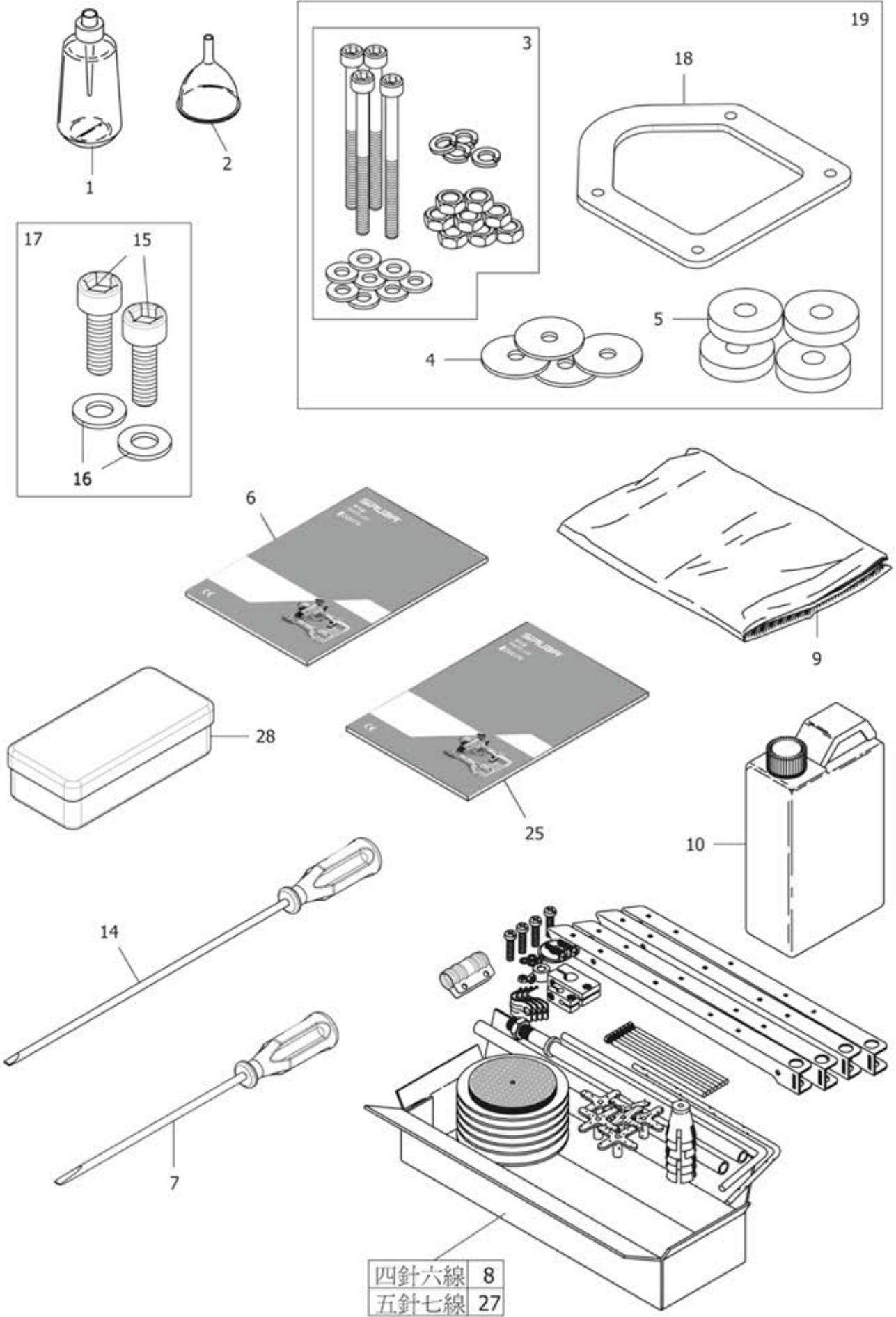
ATTACHMENT BOX

附件盒

19

Ref.	Parts			Amt.
<u>No.</u>	<u>No.</u>	<u>Description</u>	<u>品 名</u>	<u>Req.</u>
41	07401941	Presser Foot Spring Plate (Left).....	押具押板(左)(02專用).....	1
42	07401942	Presser Foot Spring Plate (Right).....	押具押板(右)(02專用).....	1
43	07401943	Adjustable Presser Foot Spring Plate C.Set.....	可調式押具押板組.....	1
45	07401319	Needle Height Gauge (For 470.480).....	針棒高度調節器.....	1
46	07411804	Threading Wire.....	穿線鐵絲.....	1
47	07401947	Presser Foot Spring Plate C. Set (One Side Cut)	押腳押具組(長)(單切).....	1
48	07401948	Thread Type.....	導布條器(02-T2A專用).....	1
49	07401949	Wrench.....	板手.....	1
50	★ 07402617	Lower Knife.....	下切刀片(02H專用).....	1
51	★ 07402637	Upper Knife.....	上刀片(02H專用).....	1
52	07403025	Lower Knife.....	下切刀(EK專用).....	1
53	07403038	Upper Knife.....	上切刀(EK專用).....	1
54	★ 07402624	Presser Foot Spring Plate (Left).....	押具押板(左).....	1
55	★ 07402625	Presser Foot Spring Plate (Right).....	押具押板(右).....	1
56	07401956	Presser Foot Spring Plate C. Set.....	押腳押具組(02H專用).....	1
57	07401957	Looper Gauges.....	下勾針平行定規.....	1

★ 請參照附件1【針距規格表】



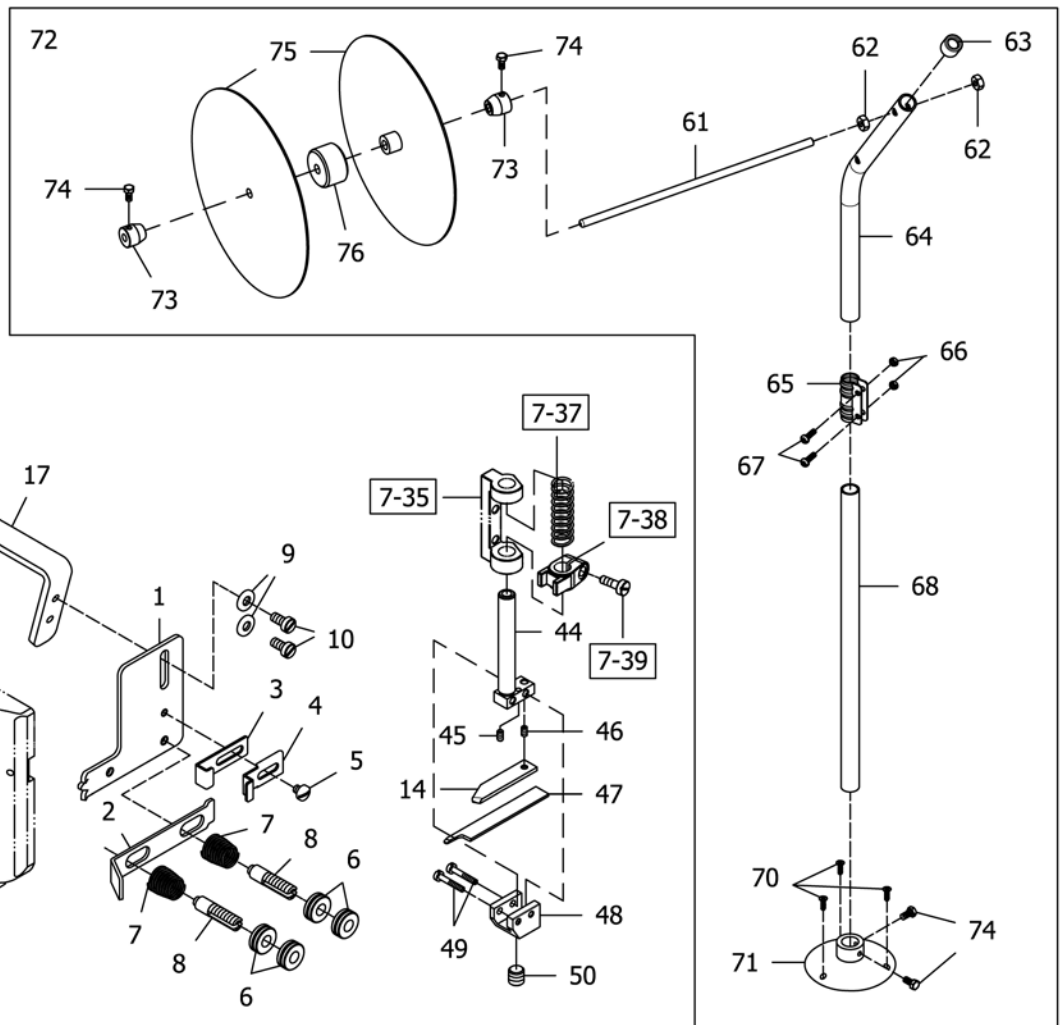
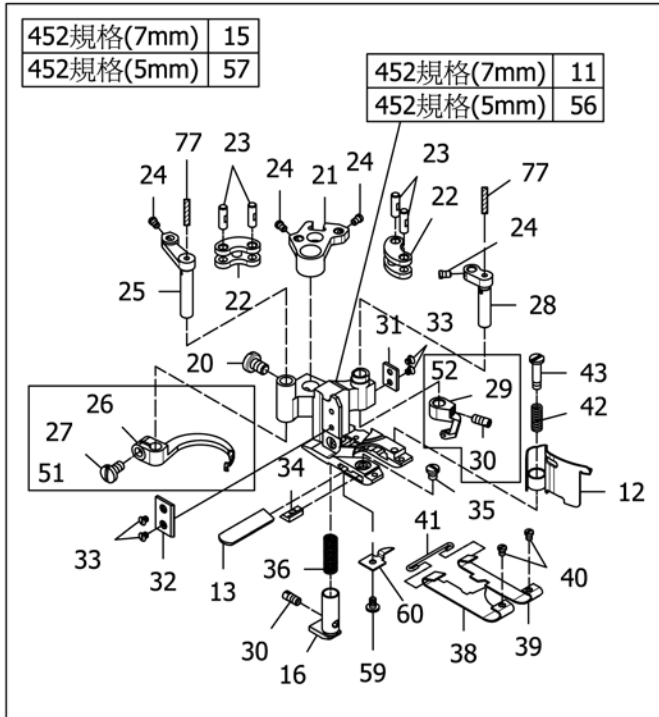
四針六線	8
五針七線	27

ACCESSORIES

附件箱

20

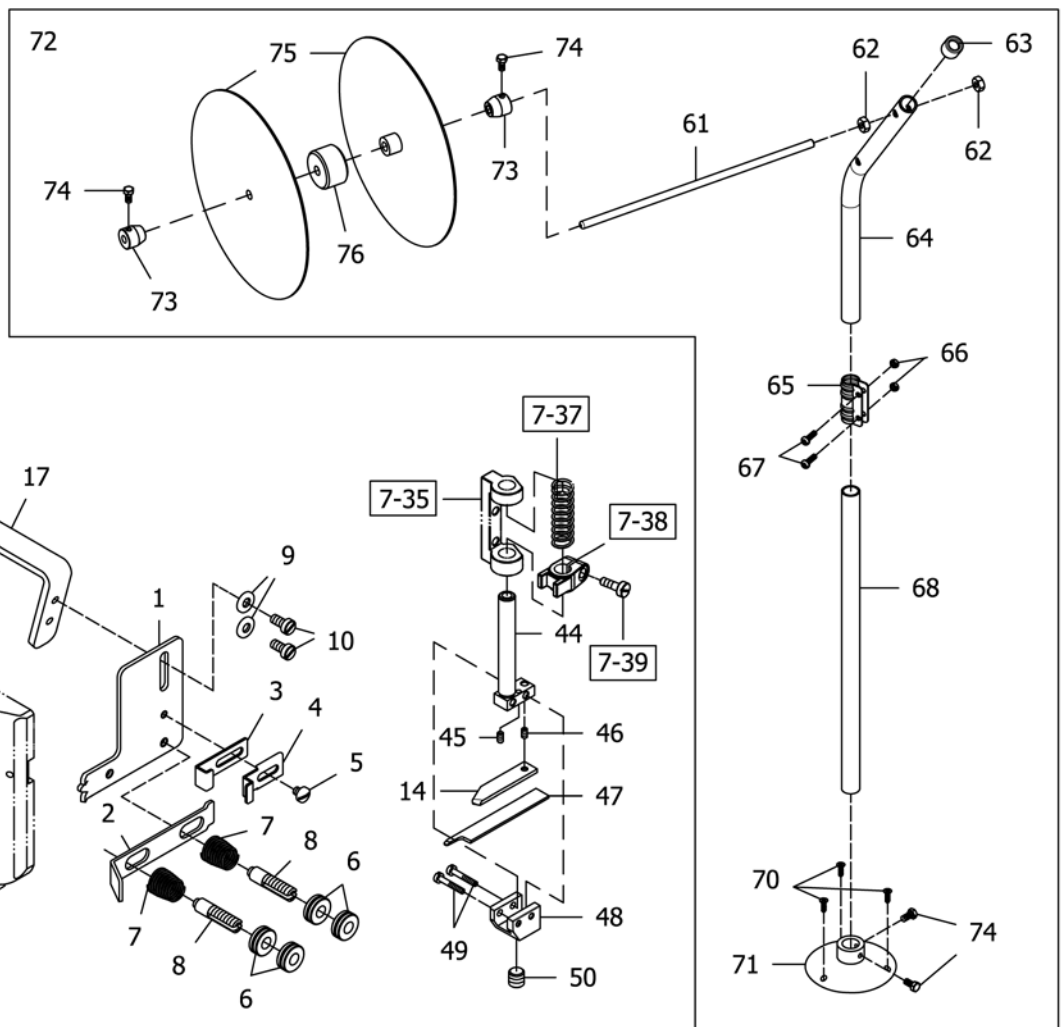
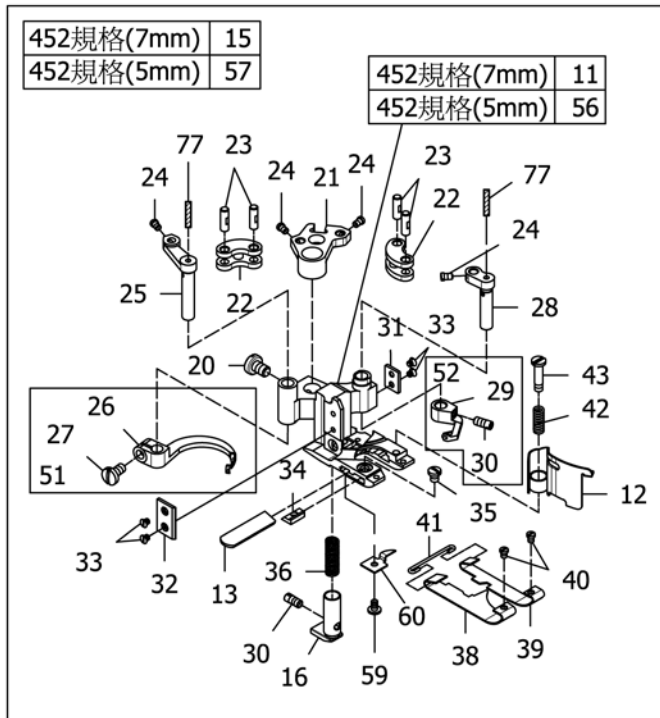
Ref. No.	Parts No.	Description	品名	Amt. Req.
1	07873301	Oiler.....	油壺.....	1
2	07873302	Funnel.....	漏斗.....	1
3	07402003	Screw C. Set.....	螺絲組.....	1
4	07402004	Washer.....	墊片.....	4
5	07402005	Rubber Cushion.....	避震膠墊.....	4
6	07402006	Spare Parts Book.....	零件本.....	1
7A	07873310A	Screwdriver.....	螺絲起子.....	1
8	07401728	Thread Stand C. Set.....	線架組(四針六線).....	1
9	07402009	Machine Cover.....	防塵罩.....	1
10	07402010	Oil.....	潤滑油.....	1
14A	07402014A	Screwdriver.....	螺絲起子(長).....	1
15	07402015	Screw(3/8-16X32).....	螺絲.....	2
16	07402016	Washer.....	墊片.....	2
17	07402017	Screw C. Set.....	螺絲組.....	1
18	07402018	Supporting Block Rubber Cushion.....	車台固定座避震膠墊.....	1
19	07402019	Supporting Block Rubber Cushion Set.....	車台固定座避震膠墊螺絲組	1
25	07402025	Instruction & Maintenance Book.....	使用說明&維修手冊.....	1
27	07401729	Thread Stand C. Set.....	線架組(五針七線).....	1
28	07402028	Attachment Box.....	附件盒.....	1



SELECT DEVICE(02-T1)**選擇配備(02-T1)-織帶****21**

Ref.	Parts			Amt.
No.	No.	Description	品名	Req.
1	07402101	Tape Holder.....	織帶固定座.....	1
2	07403802	Tape Tension Disc Clamp.....	張力調整夾板.....	1
3	07402103	Tape Thread Guard (Rear).....	過線架(後).....	1
4	07402104	Tape Thread Guard (Front).....	過線架(前).....	1
5	07402105	Screw (9/64-40X4).....	螺絲.....	1
6	07402106	Spring Disc Nut.....	彈簧調整螺帽.....	4
7	07402107	Tape Spring.....	彈簧.....	2
8	07402108	Tension Post.....	張力彈簧支柱.....	2
9	07872903	Wash.....	墊片.....	2
10	07400302	Screw (11/64-40X7.8).....	螺絲.....	2
11	★	Double Side Cut Presser Foot (02-T1) [452(7mm)]	雙切織帶押腳[452(7mm)]...	1
12	★ 07402112	Chip Guard.....	切角防護片.....	1
13	★ 07402113	Lower Knife.....	下切刀.....	1
14	07402114	Knife Support.....	上切刀支架.....	1
15	★	Presser Foot C. Set.....	押具組.....	1
16	★ 07402116	Yielding Section.....	押具輔助座.....	1
17A	★ 07402117A	Tape Control Bracket.....	織帶控制架.....	1
20	07400615	Screw (11/64-40X6.3).....	螺絲.....	1
21	★ 07400616	Carrier/Hook Driving Segment.....	上勾針驅動扇形片.....	1
22	★ 07400617	Carrier/Hook Driving Lever Link.....	上勾針驅動連桿.....	2
23	★ 07400618	Link Pin.....	連桿插銷.....	4
24	07400619	Screw (3/32-56X3.3).....	螺絲.....	4
25	★ 07400620	Thread Hook Driving Lever.....	勾針驅動槓桿.....	1
26	★ 07400621MF	Top Cover Thread Hook.....	上飾線勾針(長).....	1
27	07400622	Screw (9/64-40X6.8).....	螺絲.....	1
28	★ 07400623	Top Cover Thread Carrier Driving Lever.....	上飾線托架驅動槓桿.....	1
29	★ MF	Top Cover Thread Carrier.....	上飾線勾針(短).....	1
30	07400338	Screw (1/8-44X5).....	螺絲.....	2
31	★ 07400626	Presser Foot Attach Piece (Right).....	押腳連接片(右).....	1
32	★ 07400627	Presser Foot Attach Piece (Left).....	押腳連接片(左).....	1
33	07400628	Screw(3/32-56X2.4).....	螺絲.....	4
34	★ 07400630	Lower Knife Clamp.....	下切刀夾板.....	1
35	07400631	Screw (1/8-44X3.5).....	螺絲.....	1
36	★ 07400632	Yielding Section Spring.....	押具輔助座彈簧.....	1
38	★ 07401824	Presser Foot Spring Plate (Left).....	押具押板(左).....	1
39	★ 07401825	Presser Foot Spring Plate (Right).....	押具押板(右).....	1
40	07400637	Screw (3/32-56X2.6).....	螺絲.....	2

★ 請參照附件1【針距規格表】



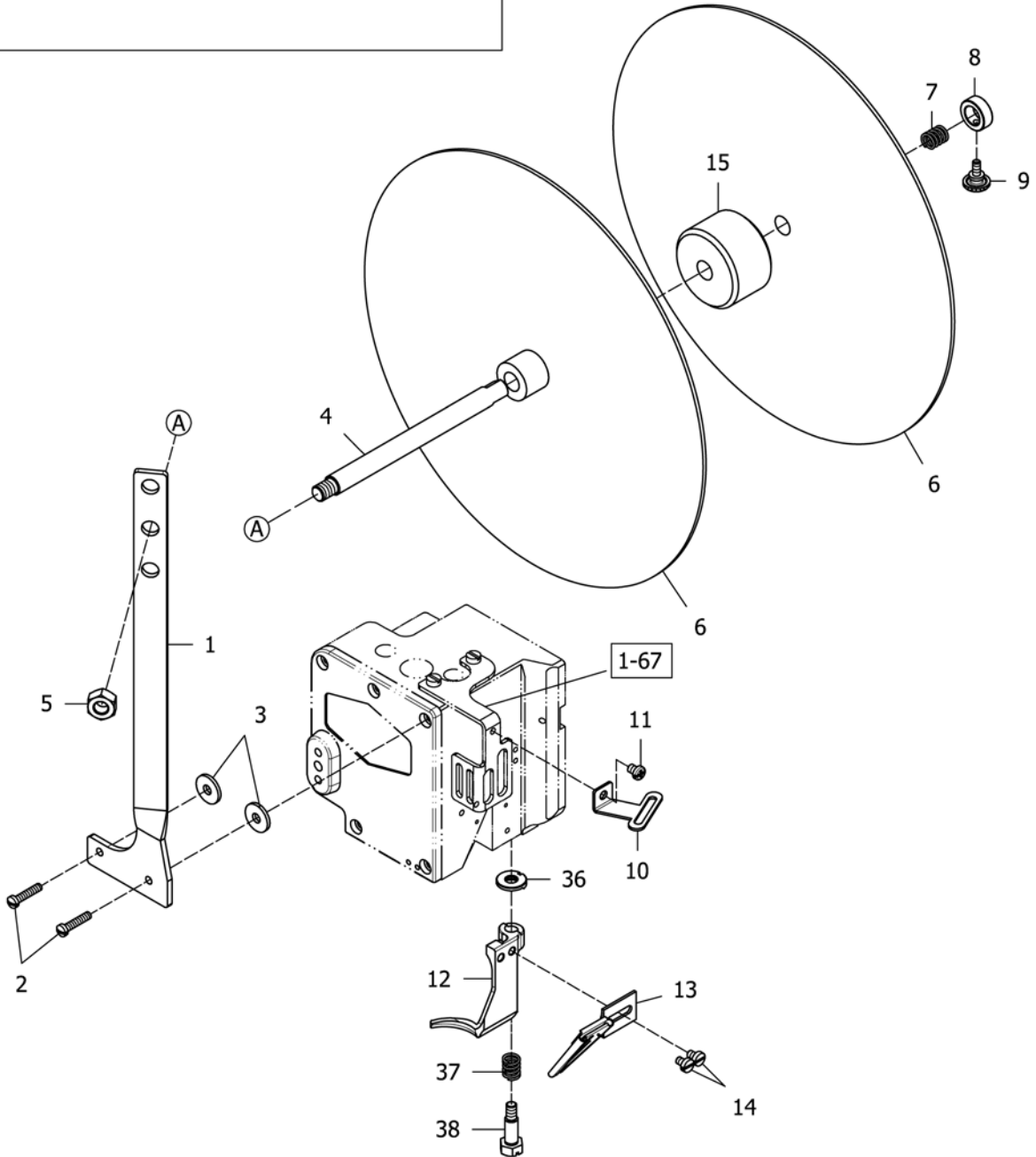
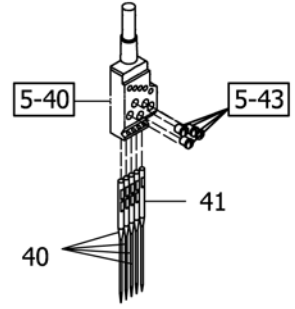
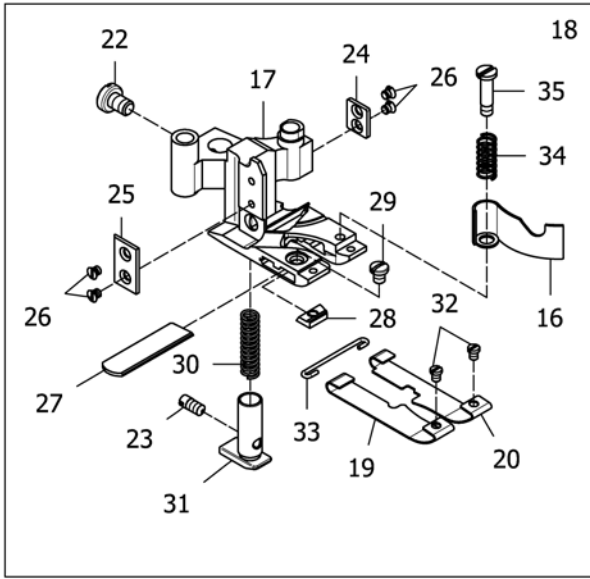
SELECT DEVICE(02-T1)

選擇配備(02-T1)-織帶

21

Ref.	Parts			Amt.
No.	No.	Description	品名	Req.
41	★ 07400638	Spring Plate Holder.....	彈簧片固定座.....	1
42	★ 07400640	Chip Guard Spring.....	切角防護片彈簧.....	1
43	07400641	Screw (1/8-44X3.4).....	螺絲.....	1
44	07400740	Knife Holder Shank.....	上切刀固定座柄.....	1
45	07400741	Screw (3/32-56X3.6).....	螺絲.....	1
46	07400743	Screw (3/32-56X1.2).....	螺絲.....	1
47	★ 07400744	Upper Knife.....	上切刀片.....	1
48	07400745	Knife Holder.....	上刀片固定座.....	1
49	07400746	Screw (3/32-56X7).....	螺絲.....	2
50	07400747	Screw (1/4-40X6).....	螺絲.....	1
51	07400646MF	Top Cover Thread Hook C.Set.....	上飾線勾針組(長).....	1
52	07400647MF	Top Cover Thread Carrier C.Set.....	上飾線勾針組(短).....	1
55	07400168	Screw (M4-0.7X8).....	螺絲.....	2
56	★	Double Side Cut Presser Foot (02-T1) [452(5mm)]	雙切織帶押腳[452(5mm)]...	1
57	★	Presser Foot C. Set.....	押具組.....	1
59	07402159	Screw (3/32-56X4).....	螺絲.....	1
60	★ 07402160	Presser Foot Tongue.....	導布板.....	1
61	07421305	Tape Reel Shaft.....	貼條主軸.....	1
62	07421306	Nut.....	螺帽.....	2
63	07421307	Rubber Column Cap.....	橡膠柱頭蓋.....	1
64	07421308	Tape Column Pipe.....	貼條圓柱管.....	1
65	07421309	Tape Column Pipe Connector.....	接頭.....	1
66	07421310	Nut.....	螺帽.....	2
67	07421311	Screw.....	螺絲.....	2
68	07421312	Fixing Lever.....	固定螺桿.....	1
70	07421314	Wood Screw.....	木螺絲.....	3
71	07421315	Tape Holder.....	貼條固定座.....	1
72	07421333	Tape Reel Holder C.Set.....	貼條架組.....	1
73	07421301	Collar.....	軸環.....	2
74	07421302	Screw.....	螺絲.....	4
75	07402206	Tape Reel.....	貼條盤.....	2
76	07402215	Cushion Block.....	墊塊.....	1
77	★ 07400651	Green Wool.....	綠色毛線.....	2

★ 請參照附件1【針距規格表】



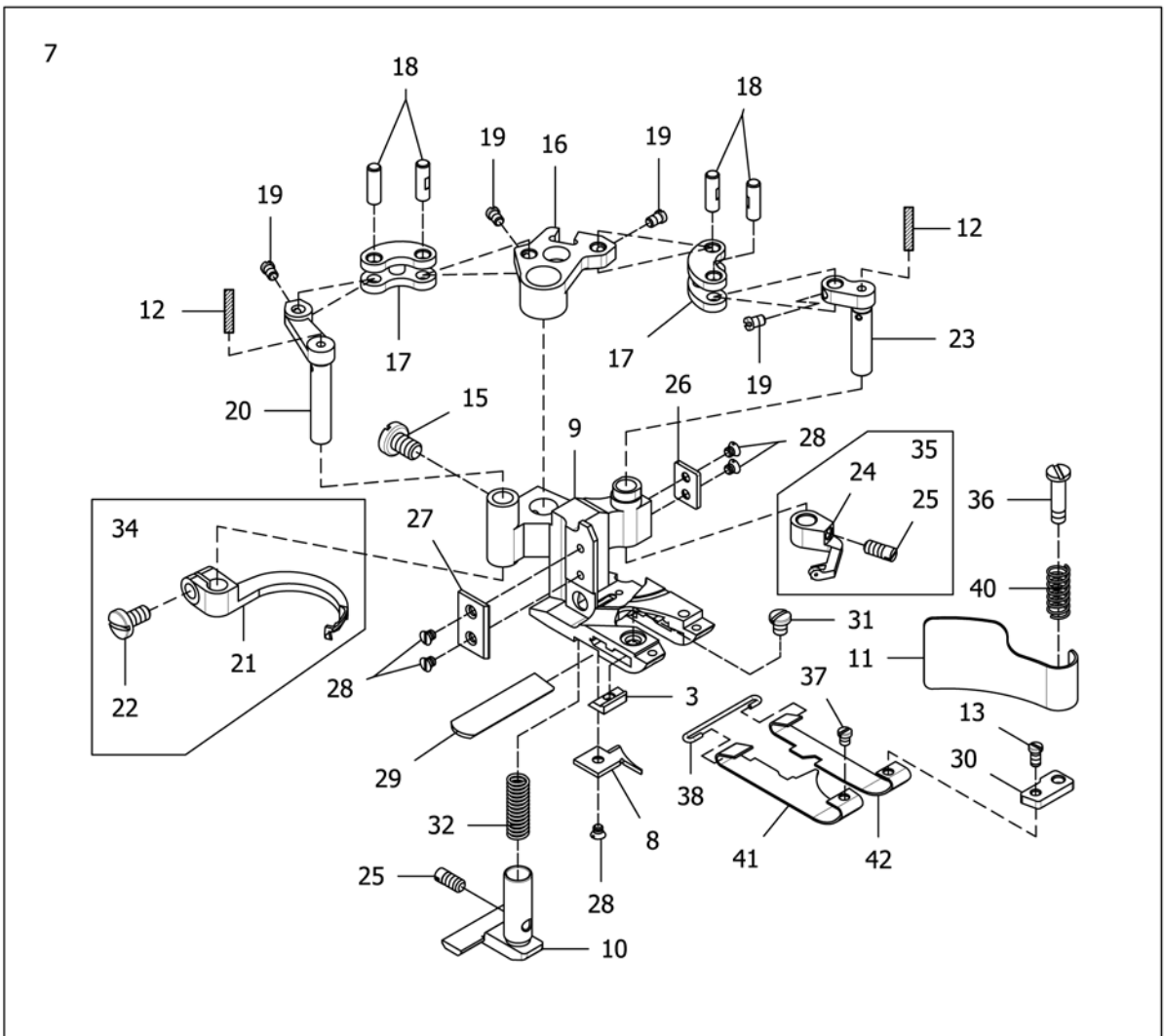
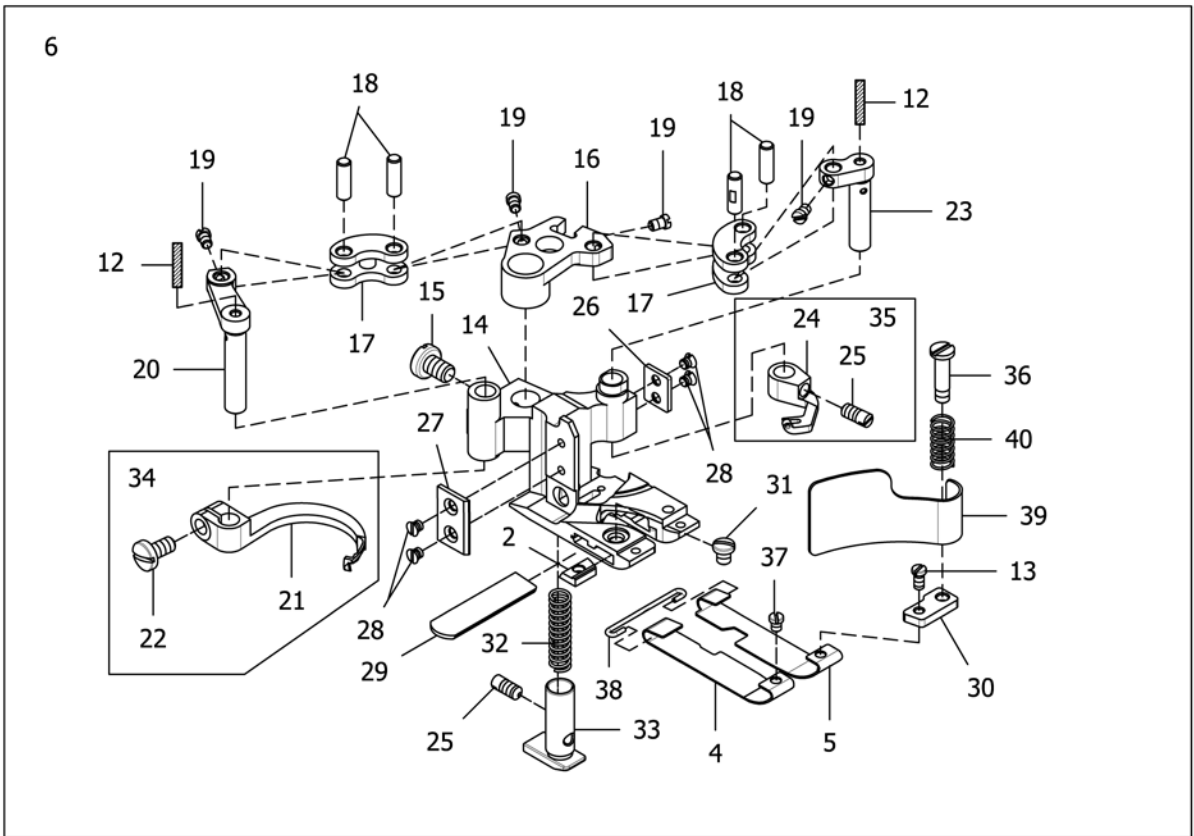
SELECT DEVICE(01-T2)

選擇配備(01-T2)-貼條

22

Ref.	Parts			Amt.
No.	No.	Description	品 名	Req.
1	07402201	Tape Reel Support.....	貼條架.....	1
2	07402202	Screw(9/64-40X17).....	螺絲.....	2
3	07402203	Rubber Cushion.....	橡膠墊片.....	2
4	07402204	Tape Reel Shaft.....	貼條主軸.....	1
5	07402205	Nut.....	螺帽.....	1
6	07402206	Tape Reel.....	貼條盤.....	2
7	07402207	Tape Reel Spring.....	彈簧.....	1
8	07402208	Collar(10X16X6mm).....	軸環.....	1
9	07402209	Screw(9/64-40X7.9).....	螺絲.....	1
10	07402210	Tape Guide.....	織帶導引支架.....	1
11	07402211	Screw(M4-0.7X5).....	螺絲.....	1
12	★ 07402212	Frame Chip Guard.....	導布蓋.....	1
13	07402213	Binder.....	包邊器(喇叭).....	1
14	07402214	Screw(9/64-40X5).....	螺絲.....	2
15	07402215	Cushion Block.....	墊塊.....	1
16	★ 07402216	Chip Guard.....	切角防護片.....	1
17	★	One Side Cut Presser Foot (01-T2).....	單切貼條押腳.....	1
18	★	Presser Foot C. Set	押具組.....	1
19	★ 07402219	Presser Foot Spring Plate (Left).....	押具押板(左).....	1
20	★ 07402220	Presser Foot Spring Plate (Right).....	押具押板(右).....	1
22	07400615	Screw (11/64-40X6.3).....	螺絲.....	1
23	07400338	Screw (1/8-44X5).....	螺絲.....	2
24	★ 07400626	Presser Foot Attach Piece (Right).....	押腳連接片(右).....	1
25	★ 07400627	Presser Foot Attach Piece (Left).....	押腳連接片(左).....	1
26	07400628	Screw(3/32-56X2.4).....	螺絲.....	4
27	★ 07400629	Lower Knife.....	下切刀片.....	1
28	★ 07400630	Lower Knife Clamp.....	下切刀夾板.....	1
29	07400631	Screw (1/8-44X3.5).....	螺絲.....	1
30	★ 07400632	Yielding Section Spring.....	押具輔助座彈簧.....	1
31	★ 07400633	Yielding Section.....	押具輔助座.....	1
32	07400637	Screw (3/32-56X2.6).....	螺絲.....	2
33	★ 07400638	Spring Plate Holder.....	彈簧片固定座.....	1
34	★ 07400640	Chip Guard Spring.....	切角防護片彈簧.....	1
35	07400641	Screw (1/8-44X3.4).....	螺絲.....	1
36	07400182	Frame Chip Guard Washer.....	導布蓋固定墊片.....	1
37	07400183	Frame Chip Guard Spring.....	導布蓋彈簧.....	1
38	07400184	Screw (M5-0.8X8.5).....	螺絲.....	1
40	★	Needle.....	機針.....	4
41	★	Retainer.....	假針.....	1

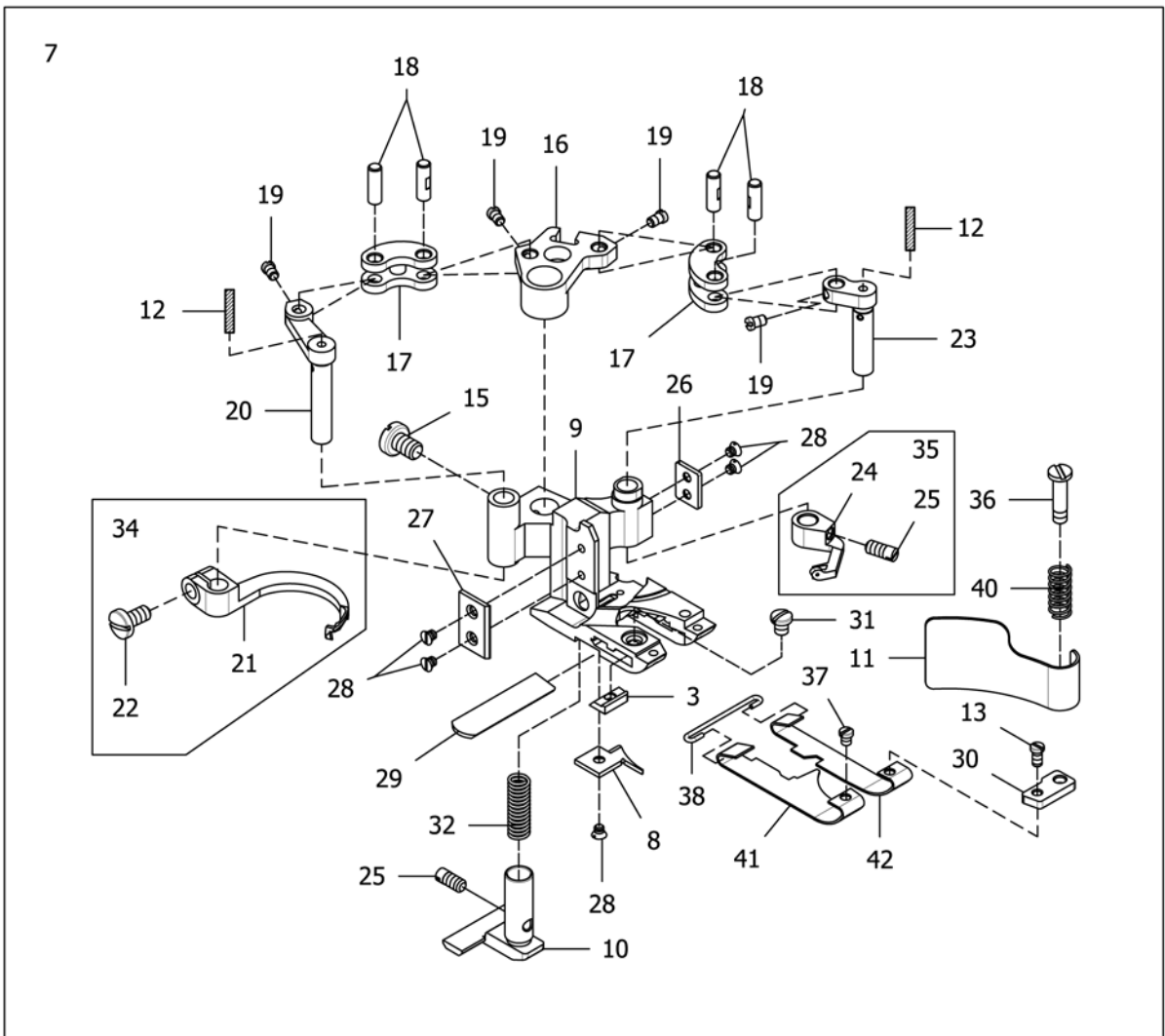
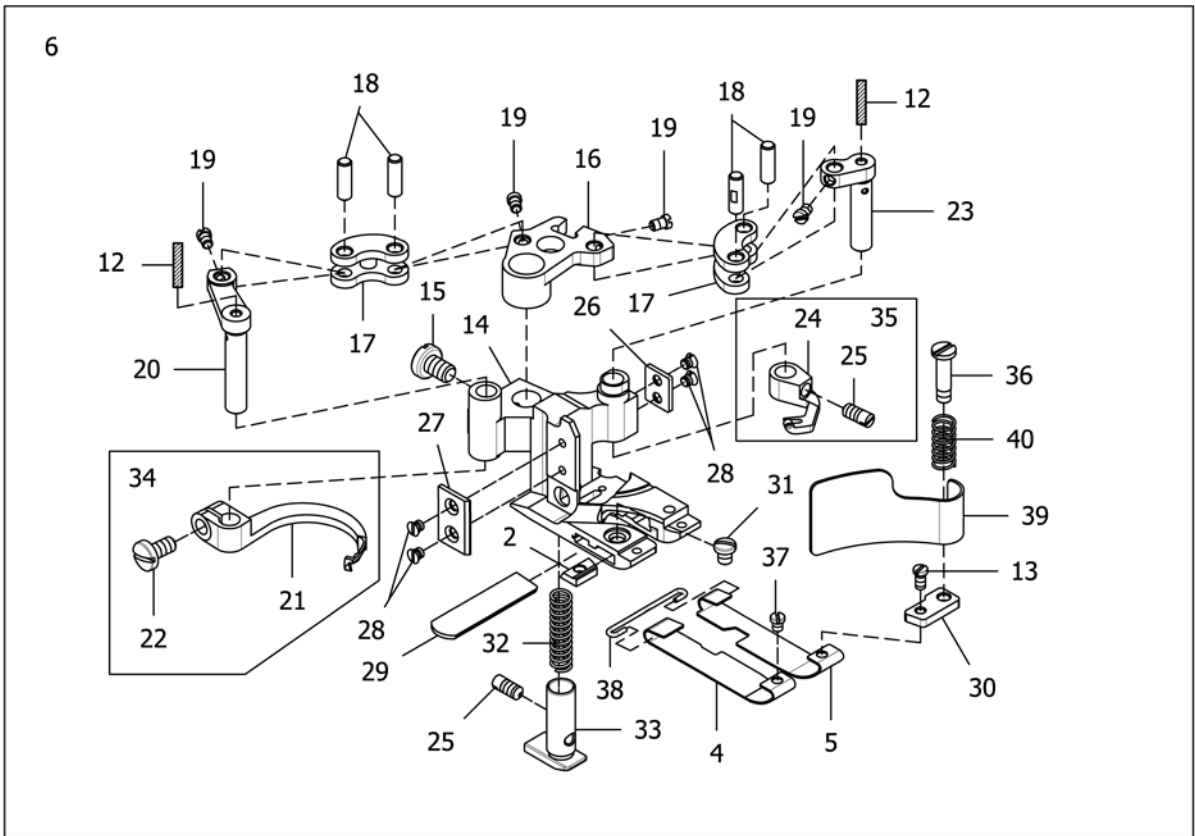
★ 請參照附件1【針距規格表】



SELECT DEVICE(S)**選擇配備(S)-襪子****23**

Ref.	Parts			Amt.
No.	No.	Description	品 名	Req.
2	★ 07402302	Lower Knife Clamp (One Side Cut)	下刀片夾板(單切).....	1
3	★ 07400630	Lower Knife Clamp (Double Side Cut).....	下刀片夾板(雙切).....	1
4A	★ 07400635A	Presser Foot Spring Plate (Left).....	押具押板(左)(單切押具組K23-6)...	1
5A	★ 07400636A	Presser Foot Spring Plate (Right).....	押具押板(右)(單切押具組K23-6)...	1
6	★	One Side Cut Presser Foot C. Set.....	單切押具組.....	1
7	★ 07401801	Double Side Cut Presser Foot C. Set.....	雙切押具組.....	1
8	★ 07401822	Presser Foot Tongue.....	導布板.....	1
9	★	Double Side Cut Presser Foot.....	雙切押腳.....	1
10	★ 07401821	Yielding Section.....	押具輔助座.....	1
11	★ 07401828	Chip Guard.....	切角防護片.....	1
12	★ 07400651	Green Wool.....	綠色毛線(單切押具組K23-6)	2
	★ 07400651	Green Wool.....	綠色毛線(雙切押具組K23-7)	2
13	07400650	Screw (3/32-56X4.8).....	螺絲(單切押具組K23-6)....	1
	07400650	Screw (3/32-56X4.8).....	螺絲(雙切押具組K23-7)....	1
14	★	One Side Cut Presser Foot.....	單切押腳.....	1
15	07400615	Screw (11/64-40X6.3).....	螺絲(單切押具組K23-6)....	1
	07400615	Screw (11/64-40X6.3).....	螺絲(雙切押具組K23-7)....	1
16	★ 07400616	Carrier/Hook Driving Segment.....	上勾針驅動扇形片(單切押具組K23-6)	1
	★ 07400616	Carrier/Hook Driving Segment.....	上勾針驅動扇形片(雙切押具組K23-7)	1
17	★ 07400617	Carrier/Hook Driving Lever Link.....	上勾針驅動連桿(單切押具組K23-6)	2
	★ 07400617	Carrier/Hook Driving Lever Link.....	上勾針驅動連桿(雙切押具組K23-7)	2
18	★ 07400618	Link Pin.....	連桿插銷(單切押具組K23-6)	4
	★ 07400618	Link Pin.....	連桿插銷(雙切押具組K23-7)	4
19	07400619	Screw (3/32-56X3.3).....	螺絲(單切押具組K23-6)....	4
	07400619	Screw (3/32-56X3.3).....	螺絲(雙切押具組K23-7)....	4
20	★ 07400620	Thread Hook Driving Lever.....	勾針驅動槓桿(單切押具組K23-6)	1
	★ 07400620	Thread Hook Driving Lever.....	勾針驅動槓桿(雙切押具組K23-7)	1
21	★ 07400621MF	Top Cover Thread Hook.....	上飾線勾針(長)(單切押具組K23-6)	1
	★ 07400621MF	Top Cover Thread Hook.....	上飾線勾針(長)(雙切押具組K23-7)	1
22	07400622	Screw (9/64-40X6.8).....	螺絲(單切押具組K23-6)....	1
	07400622	Screw (9/64-40X6.8).....	螺絲(雙切押具組K23-7)....	1
23	★ 07400623	Top Cover Thread Carrier Driving Lever.....	上飾線托架驅動槓桿(單切押具組K23-6)	1
	★ 07400623	Top Cover Thread Carrier Driving Lever.....	上飾線托架驅動槓桿(雙切押具組K23-7)	1
24	★ MF	Top Cover Thread Carrier.....	上飾線勾針(短)(單切押具組K23-6)	1
	★ MF	Top Cover Thread Carrier.....	上飾線勾針(短)(雙切押具組K23-7)	1
25	07400338	Screw (1/8-44X5).....	螺絲(單切押具組K23-6)....	2
	07400338	Screw (1/8-44X5).....	螺絲(雙切押具組K23-7)....	2

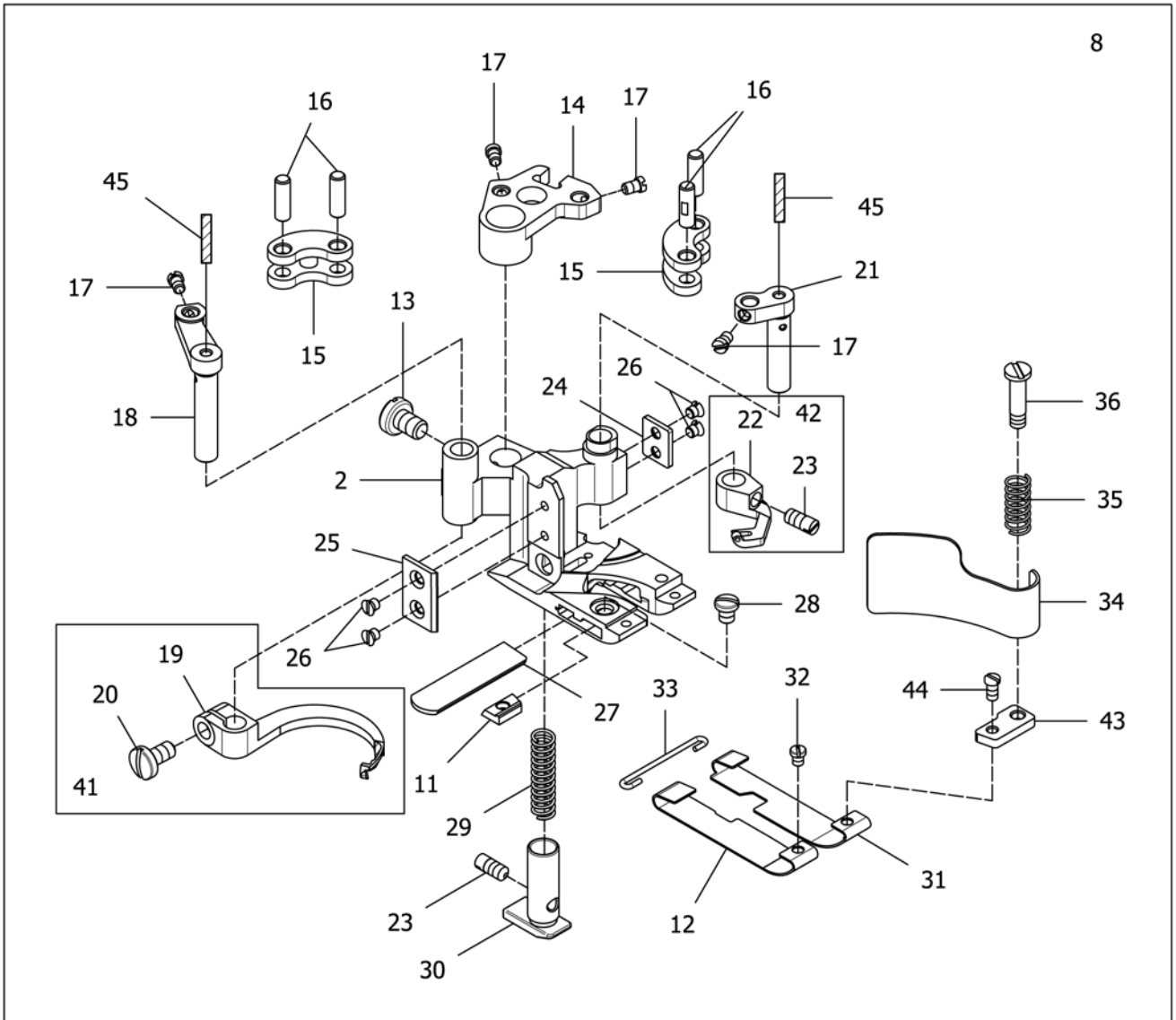
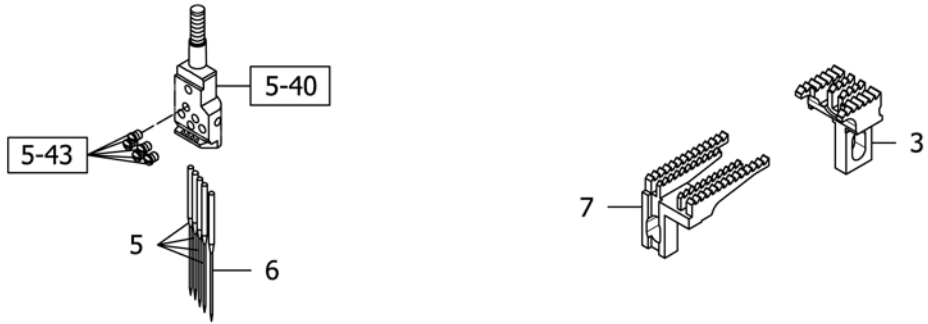
★ 請參照附件1【針距規格表】



SELECT DEVICE(S)**選擇配備(S)-襪子****23**

Ref.	Parts			Amt.
No.	No.	Description	品 名	Req.
26	★ 07400626	Presser Foot Attach Piece (Right).....	押腳連接片(右)(單切押具組K23-6)	1
	★ 07400626	Presser Foot Attach Piece (Right).....	押腳連接片(右)(雙切押具組K23-7)	1
27	★ 07400627	Presser Foot Attach Piece (Left).....	押腳連接片(左)(單切押具組K23-6)	1
	★ 07400627	Presser Foot Attach Piece (Left).....	押腳連接片(左)(雙切押具組K23-7)	1
28	07400628	Screw(3/32-56X2.4).....	螺絲(單切押具組K23-6)....	4
	07400628	Screw(3/32-56X2.4).....	螺絲(雙切押具組K23-7)....	5
29	★ 07400629	Lower Knife.....	下切刀片(單切押具組K23-6)	1
	★ 07400629	Lower Knife.....	下切刀片(雙切押具組K23-7)	1
30	★ 07400649	Spacer.....	墊塊(單切押具組K23-6)....	1
	★ 07400649	Spacer.....	墊塊(雙切押具組K23-7)....	1
31	07400631	Screw (1/8-44X3.5).....	螺絲(單切押具組K23-6)....	1
	07400631	Screw (1/8-44X3.5).....	螺絲(雙切押具組K23-7)....	1
32	★ 07400632	Yielding Section Spring.....	押腳輔助座彈簧(單切押具組K23-6)	1
	★ 07400632	Yielding Section Spring.....	押腳輔助座彈簧(雙切押具組K23-7)	1
33	★ 07400633	Yielding Section.....	押具輔助座.....	1
34	07400646MF	Top Cover Thread Hook C.Set.....	上飾線勾針組(長)(單切押具組K23-6)	1
	07400646MF	Top Cover Thread Hook C.Set.....	上飾線勾針組(長)(雙切押具組K23-7)	1
35	07400647MF	Top Cover Thread Carrier C.Set.....	上飾線勾針組(短)(單切押具組K23-6)	1
	07400647MF	Top Cover Thread Carrier C.Set.....	上飾線勾針組(短)(雙切押具組K23-7)	1
36	07400641	Screw (1/8-44X3.4).....	螺絲(單切押具組K23-6)....	1
	07400641	Screw (1/8-44X3.4).....	螺絲(雙切押具組K23-7)....	1
37	07400637	Screw (3/32-56X2.6).....	螺絲(單切押具組K23-6)....	1
	07400637	Screw (3/32-56X2.6).....	螺絲(雙切押具組K23-7)....	1
38	★ 07400638	Spring Plate Holder.....	彈簧片固定座(單切押具組K23-6)	1
	★ 07400638	Spring Plate Holder.....	彈簧片固定座(雙切押具組K23-7)	1
39	★ 07400639	Chip Guard.....	切角防護片.....	1
40	★ 07400640	Chip Guard Spring.....	切角防護片彈簧(單切押具組K23-6)	1
	★ 07400640	Chip Guard Spring.....	切角防護片彈簧(雙切押具組K23-7)	1
41	★ 07401824	Presser Foot Spring Plate (Left).....	押具押板(左)(雙切押具組K23-7)...	1
42	★ 07401825	Presser Foot Spring Plate (Right).....	押具押板(右)(雙切押具組K23-7)...	1

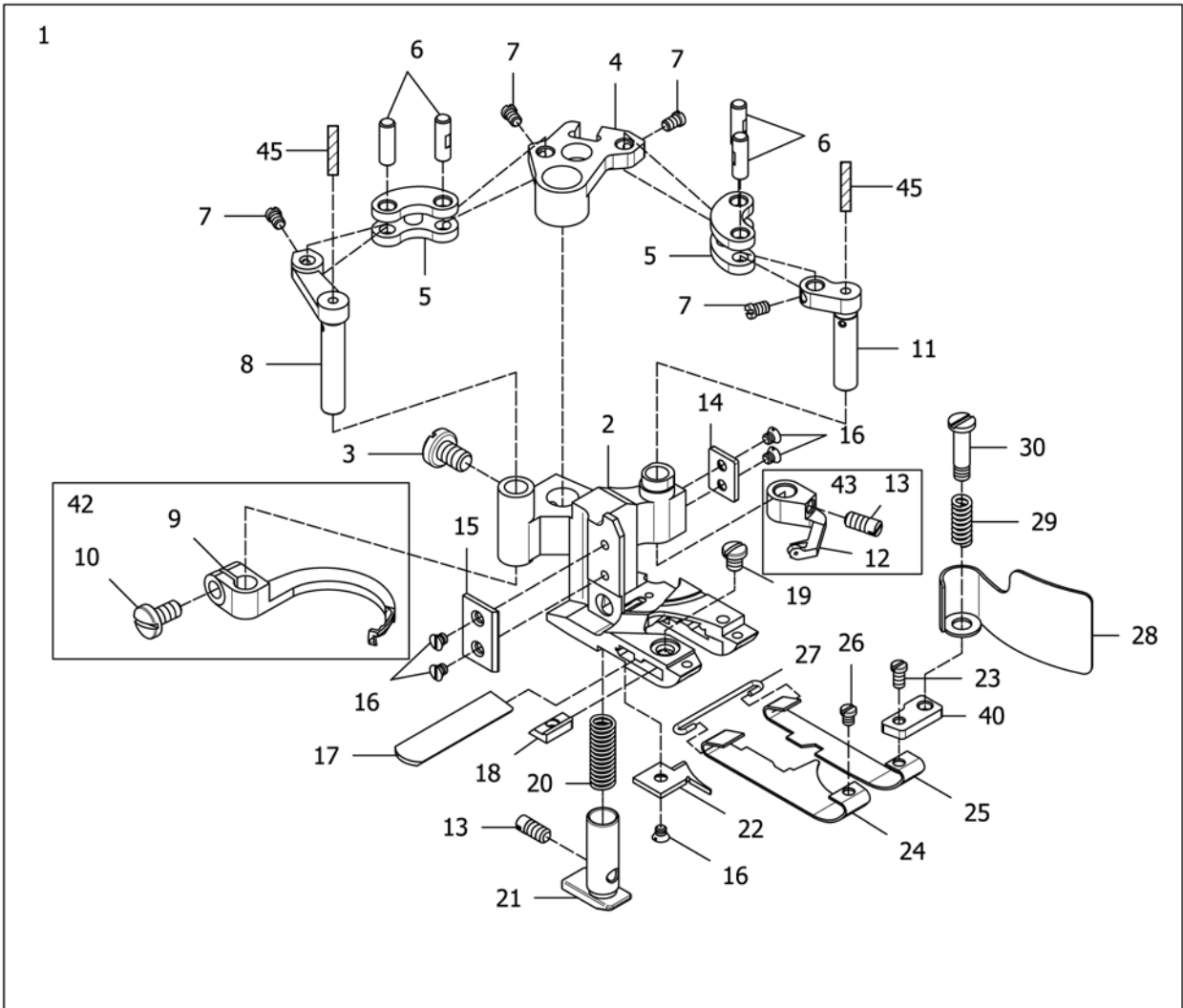
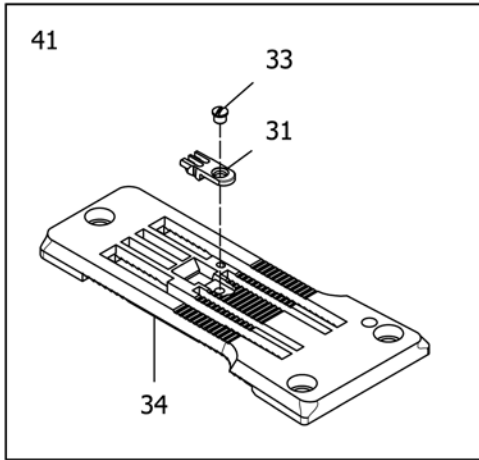
★ 請參照附件1【針距規格表】



SELECT DEVICE(01-DS)-452.460選擇配備(01-DS)-潛水衣 **24**

Ref.	Parts			Amt.
No.	No.	Description	品 名	Req.
2	★	Presser Foot (01)-452.460.....	專用押腳(01)-規格452.460...	1
3	★ 07402403	Main Feed Dog (One Side Cut).....	後送齒(單切).....	1
5	★	Needle.....	機針.....	4
6	★	Retainer.....	假針.....	1
7	★ 07402407	Differential Feed Dog.....	前送齒.....	1
8	★	Presser Foot C. Set	專用押具組.....	1
11	★ 07400630	Lower Knife Clamp.....	下切刀夾板.....	1
12A	★ 07400635A	Presser Foot Spring Plate (Left).....	押具押板(左).....	1
13	07400615	Screw (11/64-40X6.3).....	螺絲.....	1
14	★ 07400616	Carrier/Hook Driving Segment.....	上勾針驅動扇形片.....	1
15	★ 07400617	Carrier/Hook Driving Lever Link.....	上勾針驅動連桿.....	2
16	★ 07400618	Link Pin.....	連桿插銷.....	4
17	07400619	Screw (3/32-56X3.3).....	螺絲.....	4
18	★ 07400620	Thread Hook Driving Lever.....	勾針驅動槓桿.....	1
19	★ 07400621MF	Top Cover Thread Hook.....	上飾線勾針(長).....	1
20	07400622	Screw (9/64-40X6.8).....	螺絲.....	1
21	★ 07400623	Top Cover Thread Carrier Driving Lever.....	上飾線托架驅動槓桿.....	1
22	★ MF	Top Cover Thread Carrier.....	上飾線勾針(短).....	1
23	07400338	Screw (1/8-44X5).....	螺絲.....	2
24	★ 07400626	Presser Foot Attach Piece (Right).....	押腳連接片(右).....	1
25	★ 07400627	Presser Foot Attach Piece (Left).....	押腳連接片(左).....	1
26	07400628	Screw(3/32-56X2.4).....	螺絲.....	4
27	★ 07400629	Lower Knife.....	下切刀片.....	1
28	07400631	Screw (1/8-44X3.5).....	螺絲.....	1
29	★ 07400632	Yielding Section Spring.....	押具輔助座彈簧.....	1
30	★ 07400633	Yielding Section.....	押具輔助座.....	1
31A	★ 07400636A	Presser Foot Spring Plate (Right).....	押具押板(右).....	1
32	07400637	Screw (3/32-56X2.6).....	螺絲.....	1
33	★ 07400638	Spring Plate Holder.....	彈簧片固定座.....	1
34	★ 07400639	Chip Guard.....	切角防護片.....	1
35	★ 07400640	Chip Guard Spring.....	切角防護片彈簧.....	1
36	07400641	Screw (1/8-44X3.4).....	螺絲.....	1
41	07400646MF	Top Cover Thread Hook C.Set.....	上飾線勾針組(長).....	1
42	07400647MF	Top Cover Thread Carrier C.Set.....	上飾線勾針組(短).....	1
43	★ 07400649	Spacer.....	墊塊.....	1
44	07400650	Screw (3/32-56X4.8).....	螺絲.....	1
45	★ 07400651	Green Wool.....	綠色毛線.....	2

★ 請參照附件1【針距規格表】

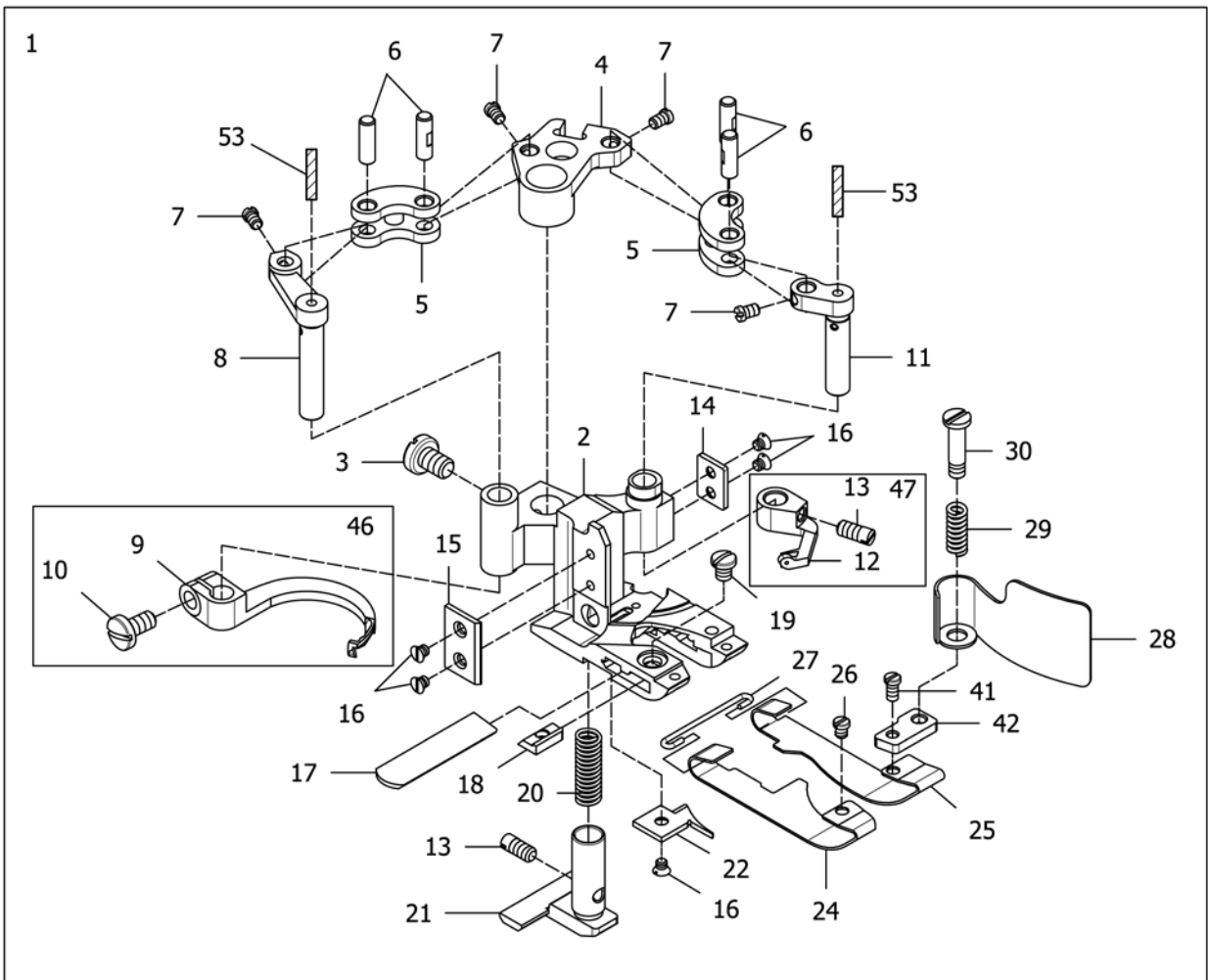
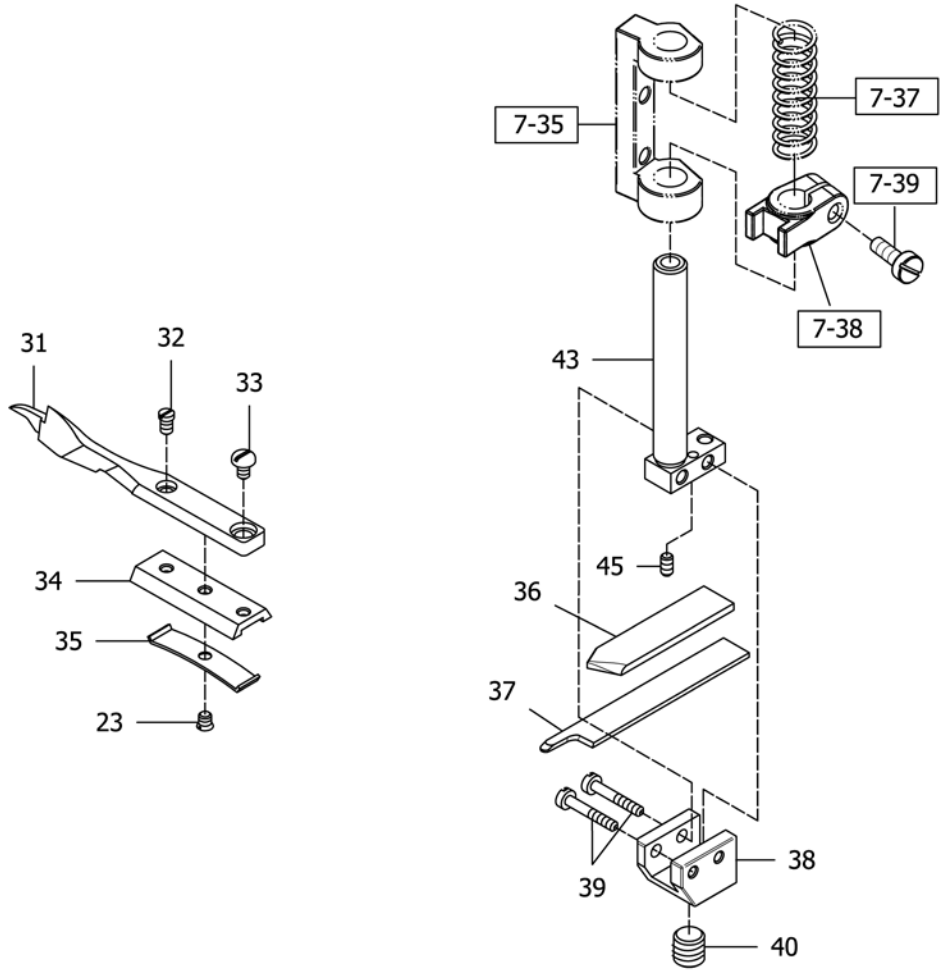


SELECT DEVICE(02R)

選擇配備(02R)-弧狀車縫 **25**

Ref.	Parts			Amt.
No.	No.	Description	品 名	Req.
1	★	Double Side Cut Presser Foot C. Set.....	雙切押具組.....	1
2	★	Double Side Cut Presser Foot.....	雙切押腳.....	1
3	07400615	Screw (11/64-40X6.3).....	螺絲.....	1
4	★ 07400616	Carrier/Hook Driving Segment.....	上勾針驅動扇形片.....	1
5	★ 07400617	Carrier/Hook Driving Lever Link.....	上勾針驅動連桿.....	2
6	★ 07400618	Link Pin.....	連桿插銷.....	4
7	07400619	Screw (3/32-56X3.3).....	螺絲.....	4
8	★ 07400620	Thread Hook Driving Lever.....	勾針驅動槓桿.....	1
9	★ 07400621MF	Top Cover Thread Hook.....	上飾線勾針(長).....	1
10	07400622	Screw (9/64-40X6.8).....	螺絲.....	1
11	★ 07400623	Top Cover Thread Carrier Driving Lever.....	上飾線托架驅動槓桿.....	1
12	★ MF	Top Cover Thread Carrier.....	上飾線勾針(短).....	1
13	07400338	Screw (1/8-44X5).....	螺絲.....	2
14	★ 07400626	Presser Foot Attach Piece (Right).....	押腳連接片(右).....	1
15	★ 07400627	Presser Foot Attach Piece (Left).....	押腳連接片(左).....	1
16	07400628	Screw(3/32-56X2.4).....	螺絲.....	5
17	★ 07400629	Lower Knife.....	下切刀片.....	1
18	★ 07400630	Lower Knife Clamp.....	下切刀夾板.....	1
19	07400631	Screw (1/8-44X3.5).....	螺絲.....	1
20	★ 07400632	Yielding Section Spring.....	押具輔助座彈簧.....	1
21	★ 07402116	Yielding Section.....	押具輔助座.....	1
22	★ 07401822	Presser Foot Tongue.....	導布板.....	1
23	07400650	Screw (3/32-56X4.8).....	螺絲.....	1
24	★ 07401824	Presser Foot Spring Plate (Left).....	押具押板(左).....	1
25	★ 07401825	Presser Foot Spring Plate (Right).....	押具押板(右).....	1
26	07400637	Screw (3/32-56X2.6).....	螺絲.....	1
27	★ 07400638	Spring Plate Holder.....	彈簧片固定座.....	1
28	★ 07401828	Chip Guard.....	切角防護片.....	1
29	★ 07400640	Chip Guard Spring.....	切角防護片彈簧.....	1
30	07400641	Screw (1/8-44X3.4).....	螺絲.....	1
31	★	Stitch Plate Tongue.....	針板舌.....	1
33	07400547	Screw (3/32-56X2).....	螺絲.....	1
34	★	Stitch Plate (For Single Cutter Only).....	針板(限用單切).....	1
35	★ 07401008	Main Feed Dog (For Single Cutter Only).....	後送齒(限用單切).....	1
37	★ 07401007	Differential Feed Dog.....	前送齒.....	1
40	★ 07400649	Spacer.....	墊塊.....	1
41	★	Stitch Plate C.Set (For Single Cutter Only).....	針板組(限用單切).....	1
42	07400646MF	Top Cover Thread Hook C.Set.....	上飾線勾針組(長).....	1
43	07400647MF	Top Cover Thread Carrier C.Set.....	上飾線勾針組(短).....	1
45	★ 07400651	Green Wool.....	綠色毛線.....	2

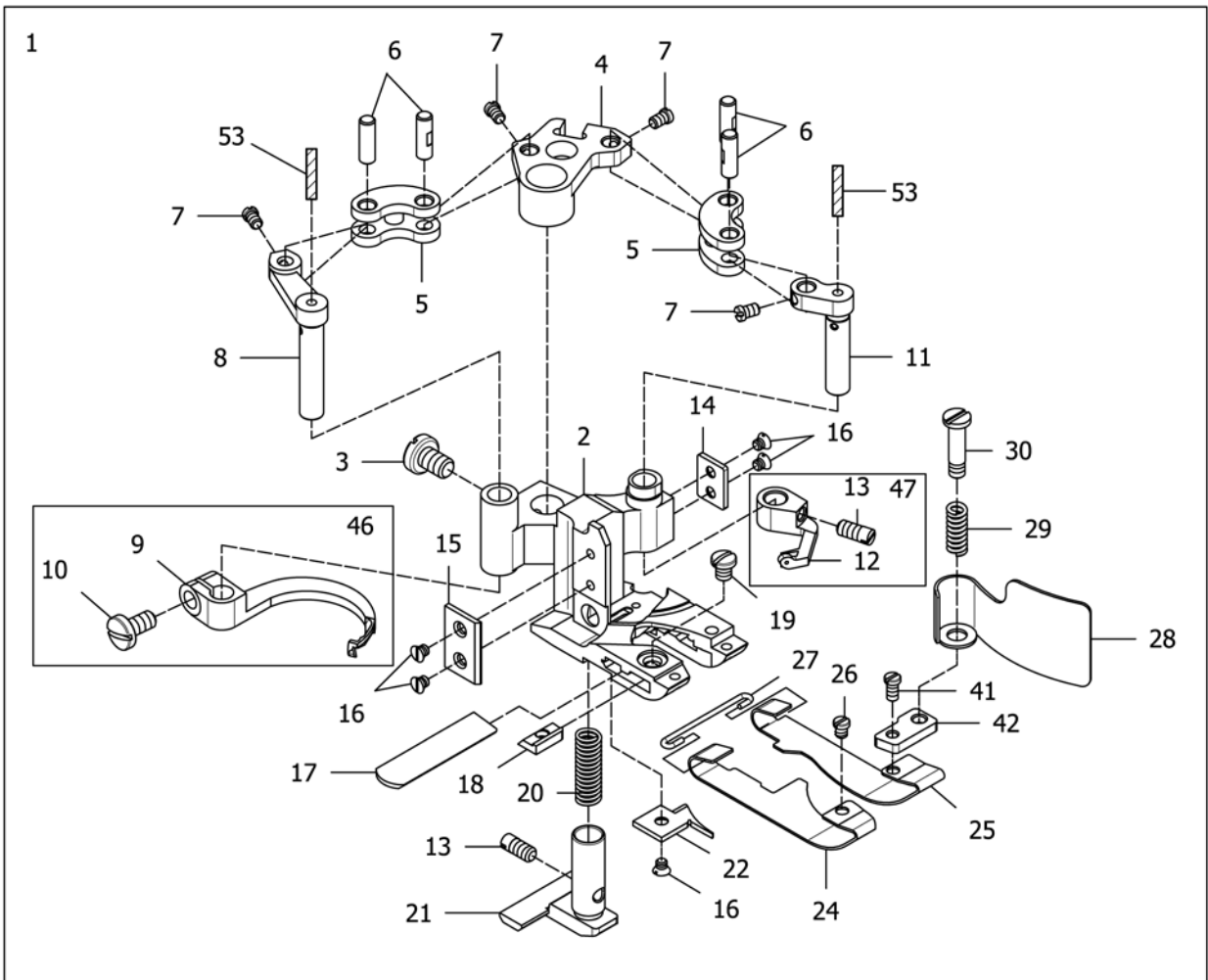
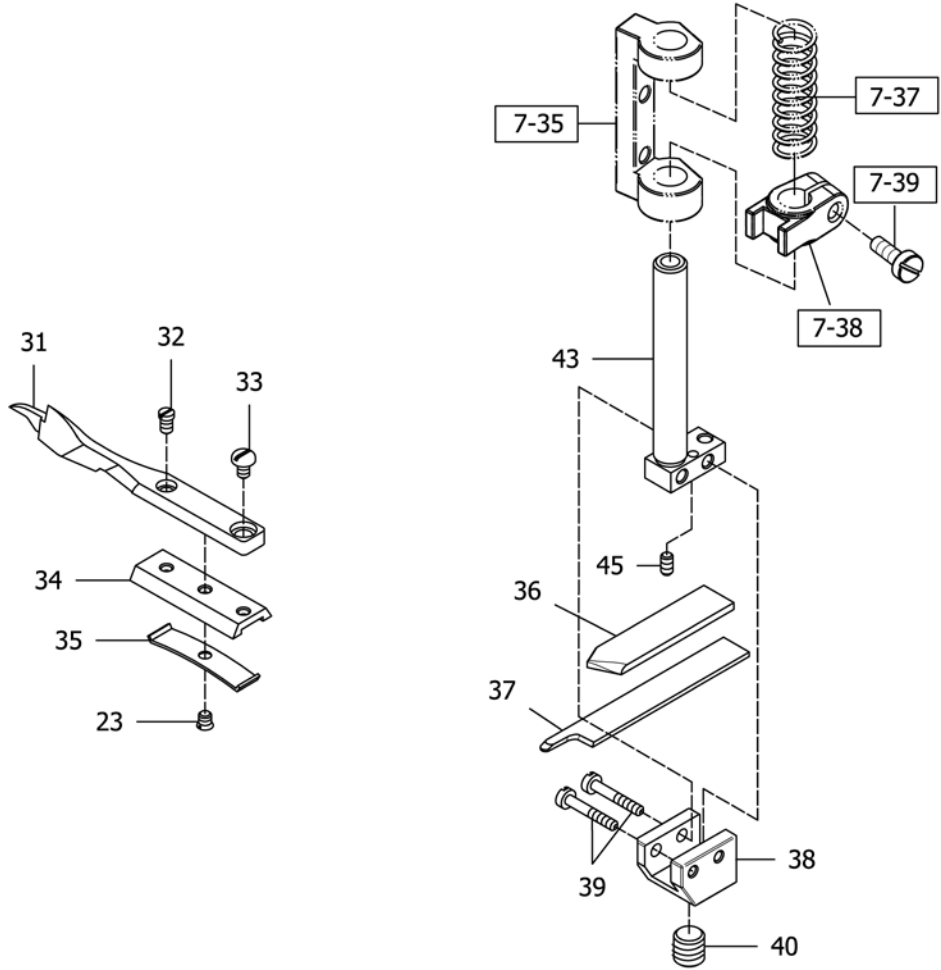
★ 請參照附件1【針距規格表】



SELECT DEVICE(02H)

Ref.	Parts			Amt.
No.	No.	Description	品 名	Req.
1	★	Double Side Cut Presser Foot C. Set.....	雙切押具組.....	1
2	★	Double Side Cut Presser Foot (02H).....	雙切包縫過骨押腳.....	1
3	07400615	Screw (11/64-40X6.3).....	螺絲.....	1
4	★ 07400616	Carrier/Hook Driving Segment.....	上勾針驅動扇形片.....	1
5	★ 07400617	Carrier/Hook Driving Lever Link.....	上勾針驅動連桿.....	2
6	★ 07400618	Link Pin.....	連桿插銷.....	4
7	07400619	Screw (3/32-56X3.3).....	螺絲.....	4
8	★ 07400620	Thread Hook Driving Lever.....	勾針驅動槓桿.....	1
9	★ 07400621MF	Top Cover Thread Hook.....	上飾線勾針(長).....	1
10	07400622	Screw (9/64-40X6.8).....	螺絲.....	1
11	★ 07400623	Top Cover Thread Carrier Driving Lever.....	上飾線托架驅動槓桿.....	1
12	★ MF	Top Cover Thread Carrier.....	上飾線勾針(短).....	1
13	07400338	Screw (1/8-44X5).....	螺絲.....	2
14	★ 07400626	Presser Foot Attach Piece (Right).....	押腳連接片(右).....	1
15	★ 07400627	Presser Foot Attach Piece (Left).....	押腳連接片(左).....	1
16	07400628	Screw(3/32-56X2.4).....	螺絲.....	5
17	★ 07402617	Lower Knife.....	下切刀片.....	1
18	★ 07400630	Lower Knife Clamp.....	下切刀夾板.....	1
19	07400631	Screw (1/8-44X3.5).....	螺絲.....	1
20	★ 07400632	Yielding Section Spring.....	押具輔助座彈簧.....	1
21	★ 07401821	Yielding Section.....	押具輔助座.....	1
22	★ 07401822	Presser Foot Tongue.....	導布板.....	1
23	07401823	Screw (3/32-56X2).....	螺絲.....	1
24	★ 07402624	Presser Foot Spring Plate (Left).....	押具押板(左).....	1
25	★ 07402625	Presser Foot Spring Plate (Right).....	押具押板(右).....	1
26	07400637	Screw (3/32-56X2.6).....	螺絲.....	1
27	★ 07400638	Spring Plate Holder.....	彈簧片固定座.....	1
28	★ 07401828	Chip Guard.....	切角防護片.....	1
29	★ 07400640	Chip Guard Spring.....	切角防護片彈簧.....	1
30	07400641	Screw (1/8-44X3.4).....	螺絲.....	1
31	★ 07402631	Lap Former Guide.....	導布器.....	1
32	07401832	Screw (3/32-56X3.5).....	螺絲.....	1
33	07401833	Screw (3/32-56X3.9).....	螺絲.....	1
34	07401834	Lap Former Guide Support.....	導布器座.....	1
35	07401835	Lap Former Guide Spring.....	導布器彈簧片.....	1
36	★ 07402636	Knife Support.....	上切刀支架.....	1
37	★ 07402637	Upper Knife.....	上刀片.....	1
38	★ 07402638	Knife Holder.....	上刀片固定座.....	1
39	07402639	Screw (3/32-56X8).....	螺絲.....	2

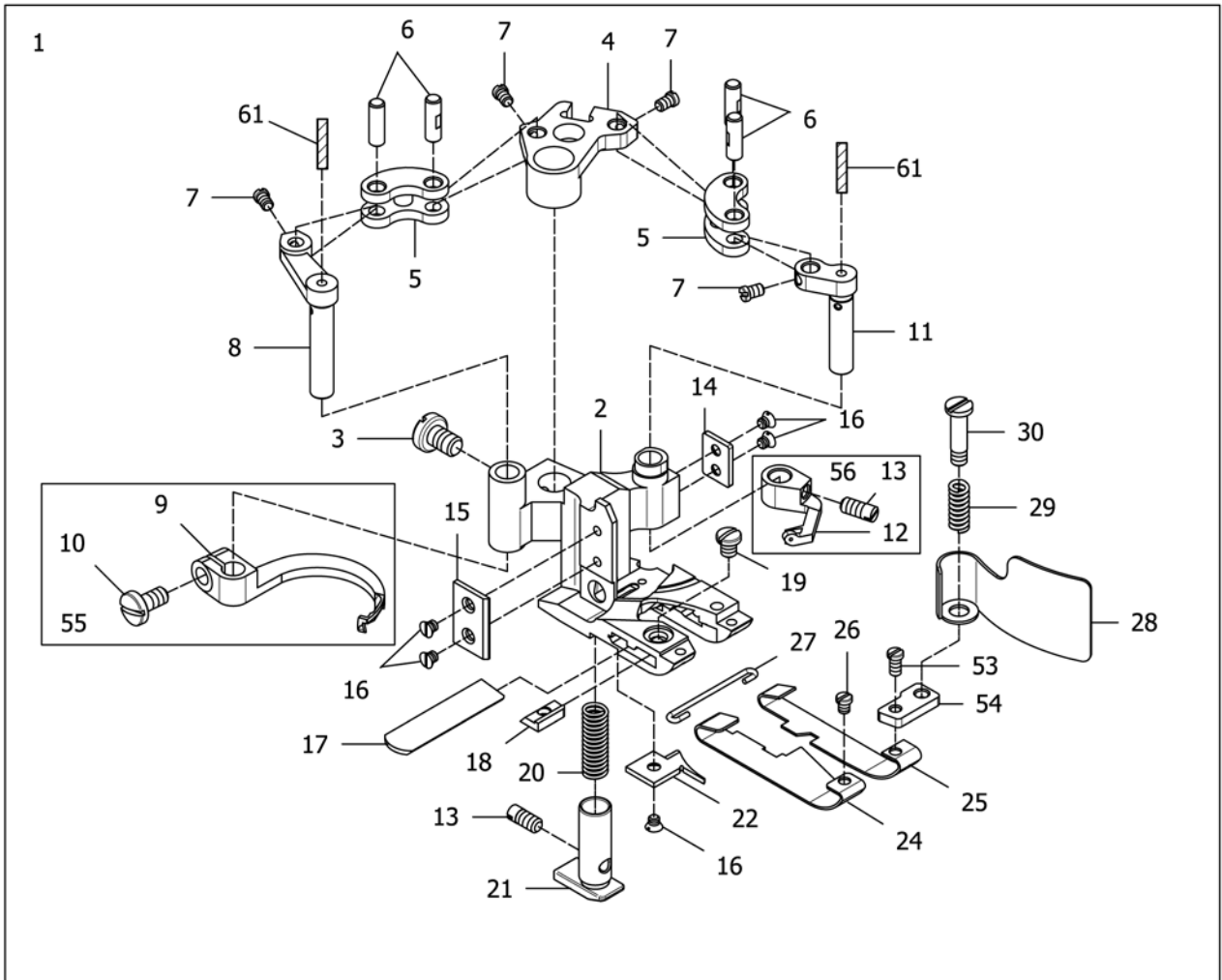
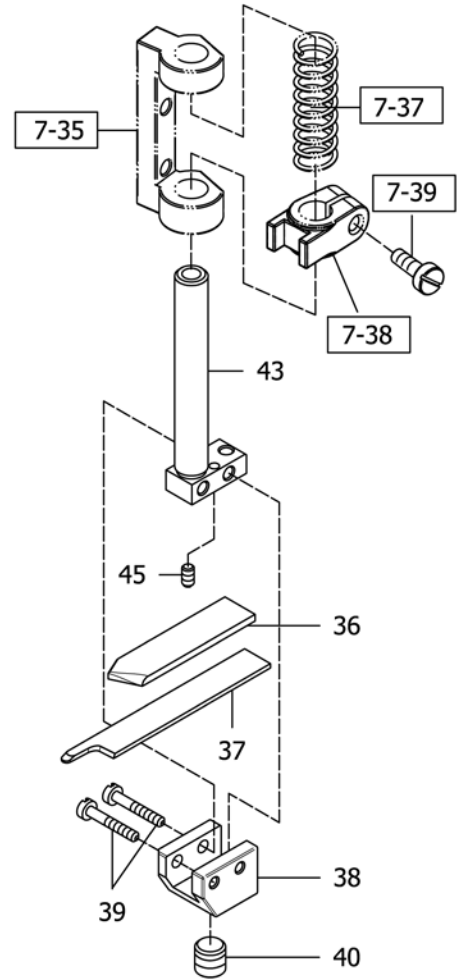
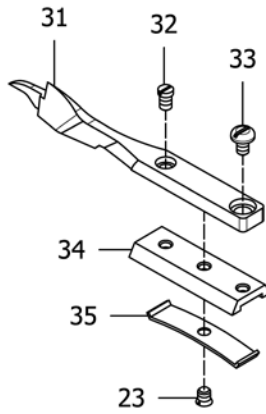
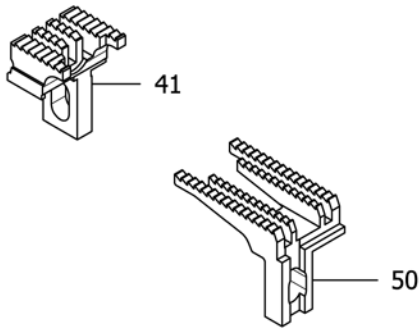
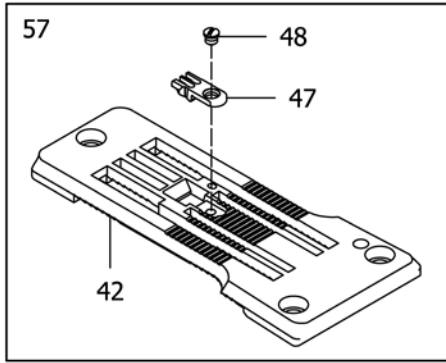
★ 請參照附件1【針距規格表】



SELECT DEVICE(02H)選擇配備(02H)-包縫過骨/特厚刷毛 **26**

Ref.	Parts			Amt.
<u>No.</u>	<u>No.</u>	<u>Description</u>	<u>品 名</u>	<u>Req.</u>
40	07400747	Screw (1/4-40X6).....	螺絲.....	1
41	07400650	Screw (3/32-56X4.8).....	螺絲.....	1
42	★ 07400649	Spacer.....	墊塊.....	1
43	07402643	Knife Holder Shank.....	上切刀固定座柄.....	1
45	07400741	Screw (3/32-56X3.6).....	螺絲.....	1
46	07400646MF	Top Cover Thread Hook C.Set.....	上飾線勾針組(長).....	1
47	07400647MF	Top Cover Thread Carrier C.Set.....	上飾線勾針組(短).....	1
53	★ 07400651	Green Wool.....	綠色毛線.....	2

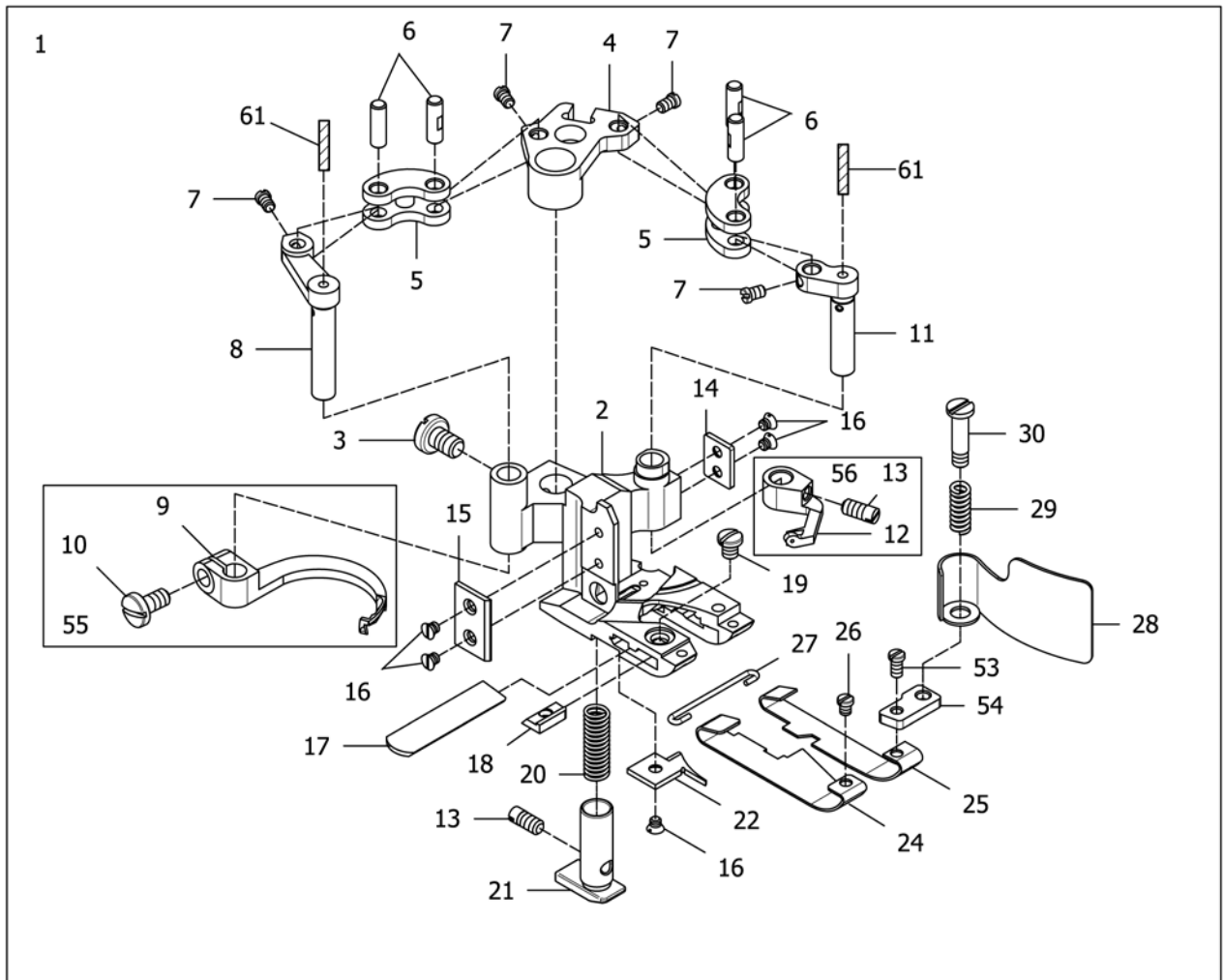
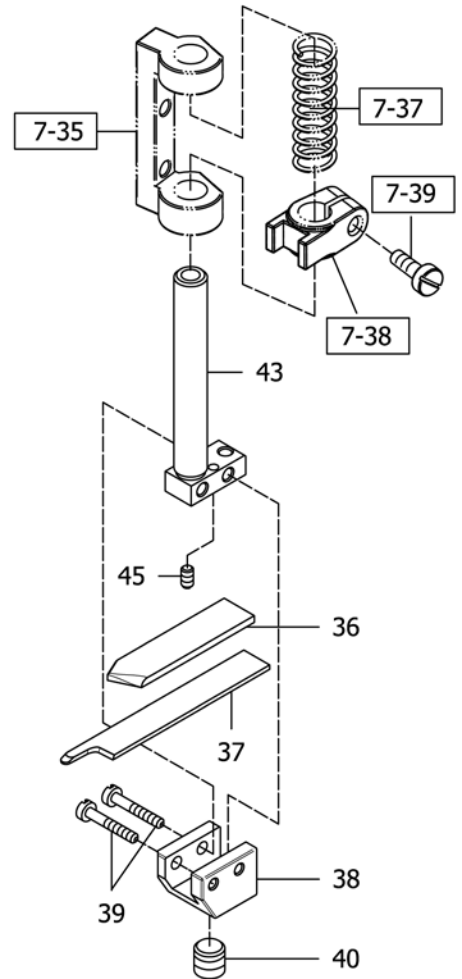
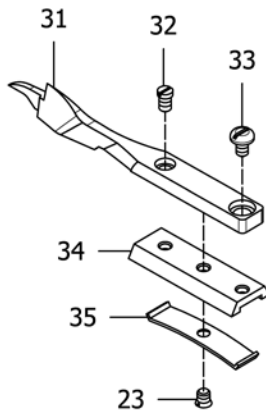
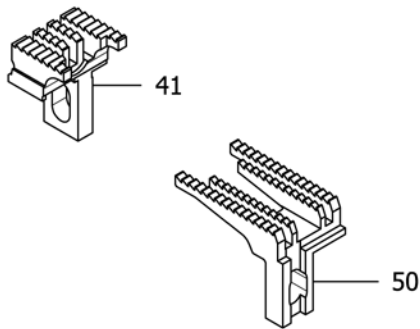
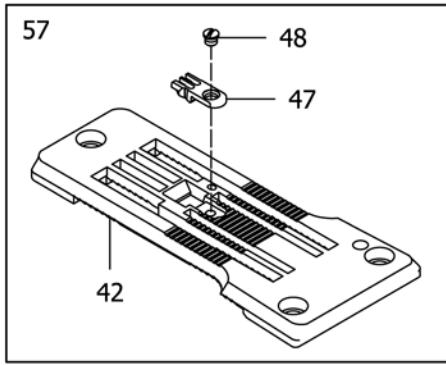
★ 請參照附件1【針距規格表】



SELECT DEVICE(02RH)

Ref.	Parts			Amt.
No.	No.	Description	品 名	Req.
1	★	Double Side Cut Presser Foot C. Set.....	雙切押具組.....	1
2	★	Double Side Cut Presser Foot (02H).....	雙切包縫過骨押腳.....	1
3	07400615	Screw (11/64-40X6.3).....	螺絲.....	1
4	★ 07400616	Carrier/Hook Driving Segment.....	上勾針驅動扇形片.....	1
5	★ 07400617	Carrier/Hook Driving Lever Link.....	上勾針驅動連桿.....	2
6	★ 07400618	Link Pin.....	連桿插銷.....	4
7	07400619	Screw (3/32-56X3.3).....	螺絲.....	4
8	★ 07400620	Thread Hook Driving Lever.....	勾針驅動槓桿.....	1
9	★ 07400621MF	Top Cover Thread Hook.....	上飾線勾針(長).....	1
10	07400622	Screw (9/64-40X6.8).....	螺絲.....	1
11	★ 07400623	Top Cover Thread Carrier Driving Lever.....	上飾線托架驅動槓桿.....	1
12	★ MF	Top Cover Thread Carrier.....	上飾線勾針(短).....	1
13	07400338	Screw (1/8-44X5).....	螺絲.....	2
14	★ 07400626	Presser Foot Attach Piece (Right).....	押腳連接片(右).....	1
15	★ 07400627	Presser Foot Attach Piece (Left).....	押腳連接片(左).....	1
16	07400628	Screw(3/32-56X2.4).....	螺絲.....	5
17	★ 07402617	Lower Knife.....	下切刀片.....	1
18	★ 07400630	Lower Knife Clamp.....	下切刀夾板.....	1
19	07400631	Screw (1/8-44X3.5).....	螺絲.....	1
20	★ 07400632	Yielding Section Spring.....	押具輔助座彈簧.....	1
21	★ 07402116	Yielding Section.....	押具輔助座.....	1
22	★ 07401822	Presser Foot Tongue.....	導布板.....	1
23	07401823	Screw (3/32-56X2).....	螺絲.....	1
24	★ 07402624	Presser Foot Spring Plate (Left).....	押具押板(左).....	1
25	★ 07402625	Presser Foot Spring Plate (Right).....	押具押板(右).....	1
26	07400637	Screw (3/32-56X2.6).....	螺絲.....	1
27	★ 07400638	Spring Plate Holder.....	彈簧片固定座.....	1
28	★ 07401828	Chip Guard.....	切角防護片.....	1
29	★ 07400640	Chip Guard Spring.....	切角防護片彈簧.....	1
30	07400641	Screw (1/8-44X3.4).....	螺絲.....	1
31	★ 07402631	Lap Former Guide.....	導布器.....	1
32	07401832	Screw (3/32-56X3.5).....	螺絲.....	1
33	07401833	Screw (3/32-56X3.9).....	螺絲.....	1
34	07401834	Lap Former Guide Support.....	導布器座.....	1
35	07401835	Lap Former Guide Spring.....	導布器彈簧片.....	1
36	07402636	Knife Support.....	上切刀支架.....	1
37	★ 07402637	Upper Knife.....	上刀片.....	1
38	07402638	Knife Holder.....	上刀片固定座.....	1
39	07402639	Screw (3/32-56X8).....	螺絲.....	2

★ 請參照附件1【針距規格表】

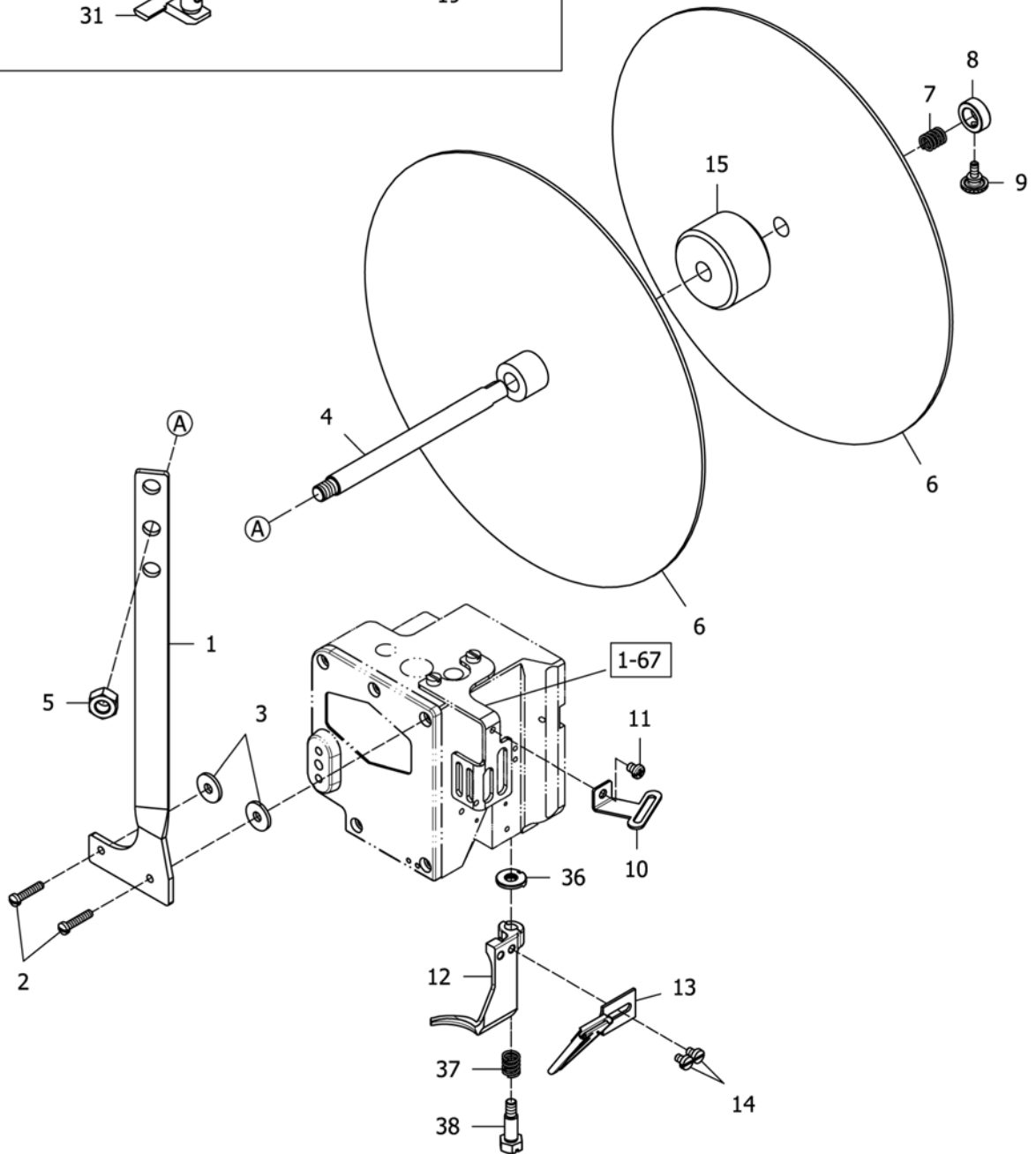
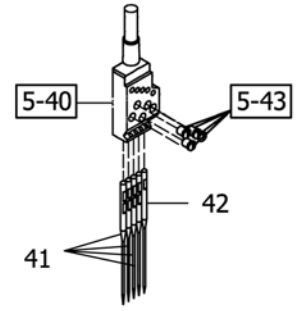
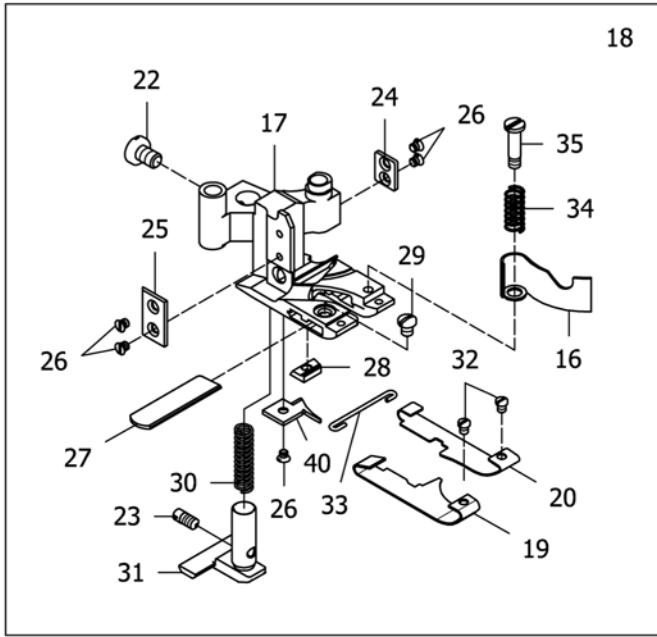


SELECT DEVICE(02RH)

選擇配備(02RH) - 弧狀車縫包縫過骨 27

Ref.	Parts			Amt.
<u>No.</u>	<u>No.</u>	<u>Description</u>	<u>品 名</u>	<u>Req.</u>
40	07400747	Screw (1/4-40X6).....	螺絲.....	1
41	★ 07401008	Main Feed Dog (For Single Cutter Only).....	後送齒(限用單切).....	1
42	★	Stitch Plate (For Single Cutter Only).....	針板(限用單切).....	1
43	07402643	Knife Holder Shank.....	上切刀固定座柄.....	1
45	07400741	Screw (3/32-56X3.6).....	螺絲.....	1
47	★	Stitch Plate Tongue.....	針板舌.....	1
48	07400547	Screw (3/32-56X2).....	螺絲.....	1
50	★ 07401007	Differential Feed Dog.....	前送齒.....	1
53	07400650	Screw (3/32-56X4.8).....	螺絲.....	1
54	★ 07400649	Spacer.....	墊塊.....	1
55	07400646MF	Top Cover Thread Hook C.Set.....	上飾線勾針組(長).....	1
56	07400647MF	Top Cover Thread Carrier C.Set.....	上飾線勾針組(短).....	1
57	★	Stitch Plate C.Set (For Single Cutter Only).....	針板組(限用單切).....	1
61	★ 07400651	Green Wool.....	綠色毛線.....	2

★ 請參照附件1【針距規格表】



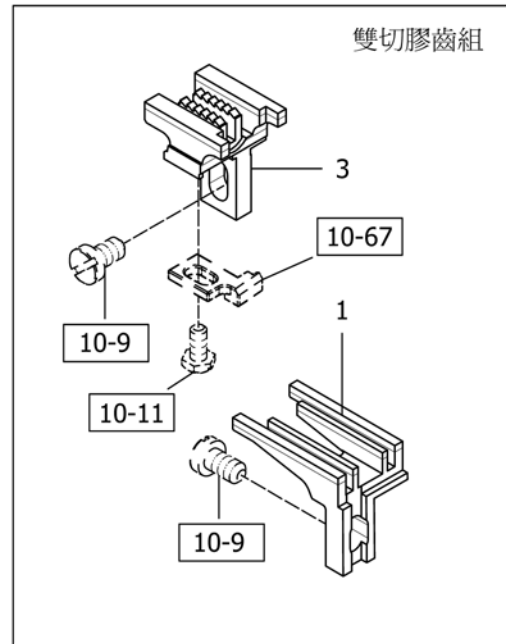
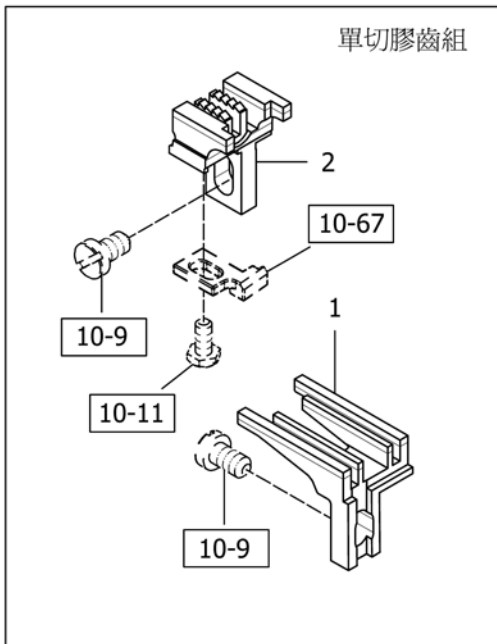
SELECT DEVICE(02-T2)

選擇配備(02-T2)-貼條

28

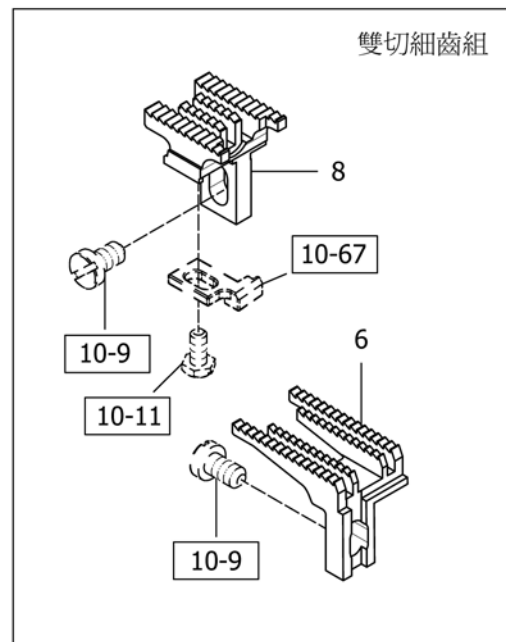
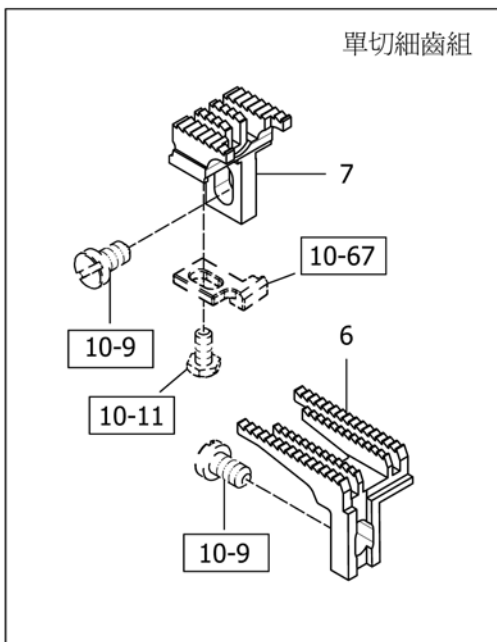
Ref.	Parts			Amt.
No.	No.	Description	品 名	Req.
1	07402201	Tape Reel Support.....	貼條架.....	1
2	07402202	Screw(9/64-40X17).....	螺絲.....	2
3	07402203	Rubber Cushion.....	橡膠墊片.....	2
4	07402204	Tape Reel Shaft.....	貼條主軸.....	1
5	07402205	Nut.....	螺帽.....	1
6	07402206	Tape Reel.....	貼條盤.....	2
7	07402207	Tape Reel Spring.....	彈簧.....	1
8	07402208	Collar(10X16X6mm).....	軸環.....	1
9	07402209	Screw(9/64-40X7.9).....	螺絲.....	1
10	07402210	Tape Guide.....	織帶導引支架.....	1
11	07402211	Screw(M4-0.7X5).....	螺絲.....	1
12	07402212	Frame Chip Guard.....	導布蓋.....	1
13	07402213	Binder.....	包邊器(喇叭).....	1
14	07402214	Screw(9/64-40X5).....	螺絲.....	2
15	07402215	Cushion Block.....	墊塊.....	1
16	★ 07402216	Chip Guard.....	切角防護片.....	1
17	★	Double Side Cut Presser Foot (02-T2).....	雙切貼條押腳.....	1
18	★	Presser Foot C. Set	押具組.....	1
19	★ 07402819	Presser Foot Spring Plate (Left).....	押具押板(左).....	1
20	★ 07402820	Presser Foot Spring Plate (Right).....	押具押板(右).....	1
22	07400615	Screw (11/64-40X6.3).....	螺絲.....	1
23	07400338	Screw (1/8-44X5).....	螺絲.....	1
24	★ 07400626	Presser Foot Attach Piece (Right).....	押腳連接片(右).....	1
25	★ 07400627	Presser Foot Attach Piece (Left).....	押腳連接片(左).....	1
26	07400628	Screw(3/32-56X2.4).....	螺絲.....	5
27	★ 07400629	Lower Knife.....	下切刀片.....	1
28	★ 07400630	Lower Knife Clamp.....	下切刀夾板.....	1
29	07400631	Screw (1/8-44X3.5).....	螺絲.....	1
30	★ 07400632	Yielding Section Spring.....	押具輔助座彈簧.....	1
31	★ 07401821	Yielding Section.....	押具輔助座.....	1
32	07400637	Screw (3/32-56X2.6).....	螺絲.....	2
33	★ 07400638	Spring Plate Holder.....	彈簧片固定座.....	1
34	★ 07400640	Chip Guard Spring.....	切角防護片彈簧.....	1
35	07400641	Screw (1/8-44X3.4).....	螺絲.....	1
36	07400182	Frame Chip Guard Washer.....	導布蓋固定墊片.....	1
37	07400183	Frame Chip Guard Spring.....	導布蓋彈簧.....	1
38	07400184	Screw (M5-0.8X8.5).....	螺絲.....	1
40	★ 07401822	Presser Foot Tongue.....	導布板.....	1
41	★	Needle.....	機針.....	4
42	★	Retainer.....	假針.....	1

★ 請參照附件1【針距規格表】



特殊勾齒使用時機

1. 為避免金屬勾齒造成布料上之齒痕而選用。
2. 為避免金屬勾齒造成薄料布料損傷、破洞之狀況而選用。

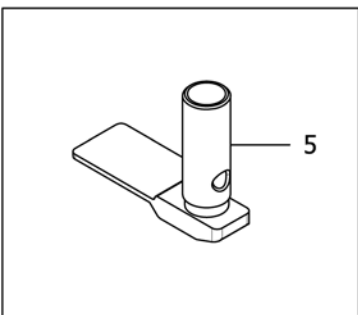
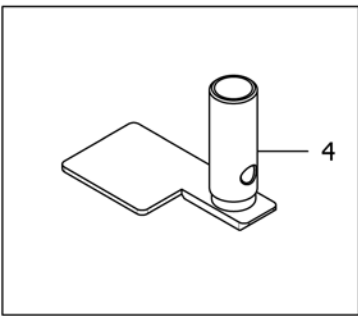
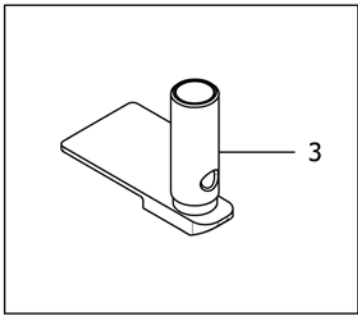
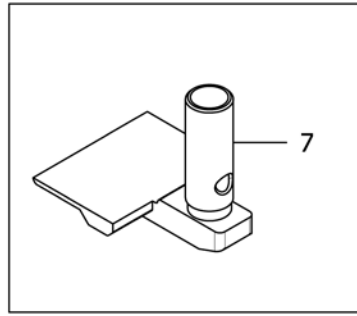
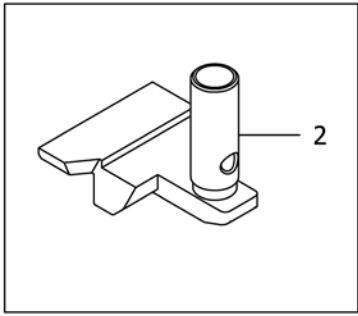
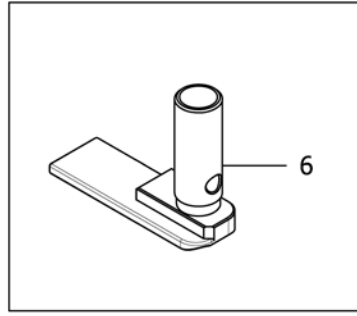
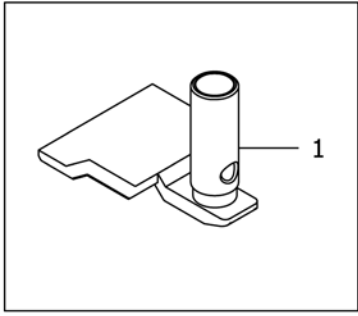


SELECT DEVICE(FEED DOG)

特殊勾齒(膠齒、細齒)

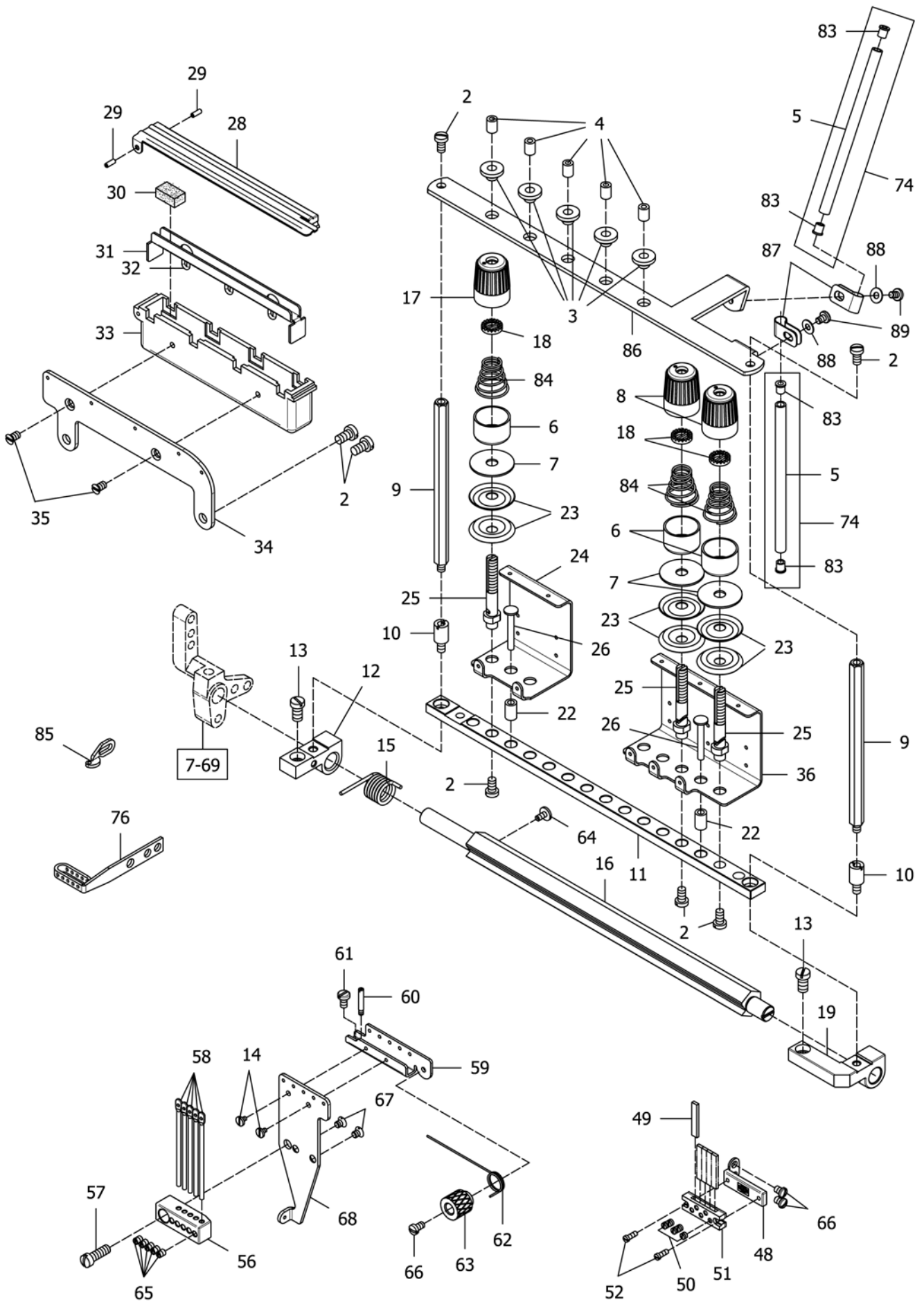
29

Ref.	Parts			Amt.
<u>No.</u>	<u>No.</u>	<u>Description</u>	<u>品 名</u>	<u>Req.</u>
1	07402901	Differential Feed Dog With Rubber (PU).....	優力膠前勾齒.....	2
2	07402902	Main Feed Dog With Rubber (PU) For Single Cutter.....	單切優力膠後勾齒.....	1
3	07402903	Main Feed Dog With Rubber (PU) For Double Cutter....	雙切優力膠後勾齒.....	1
6	07402906	Differential Feed Dog(Coarse Mesh).....	前勾齒(細齒).....	2
7	07402907	Main Feed Dog(Coarse Mesh) For Single Cutter.....	單切後勾齒(細齒).....	1
8	07402908	Main Feed Dog(Coarse Mesh) For Double Cutter.....	雙切後勾齒(細齒).....	1



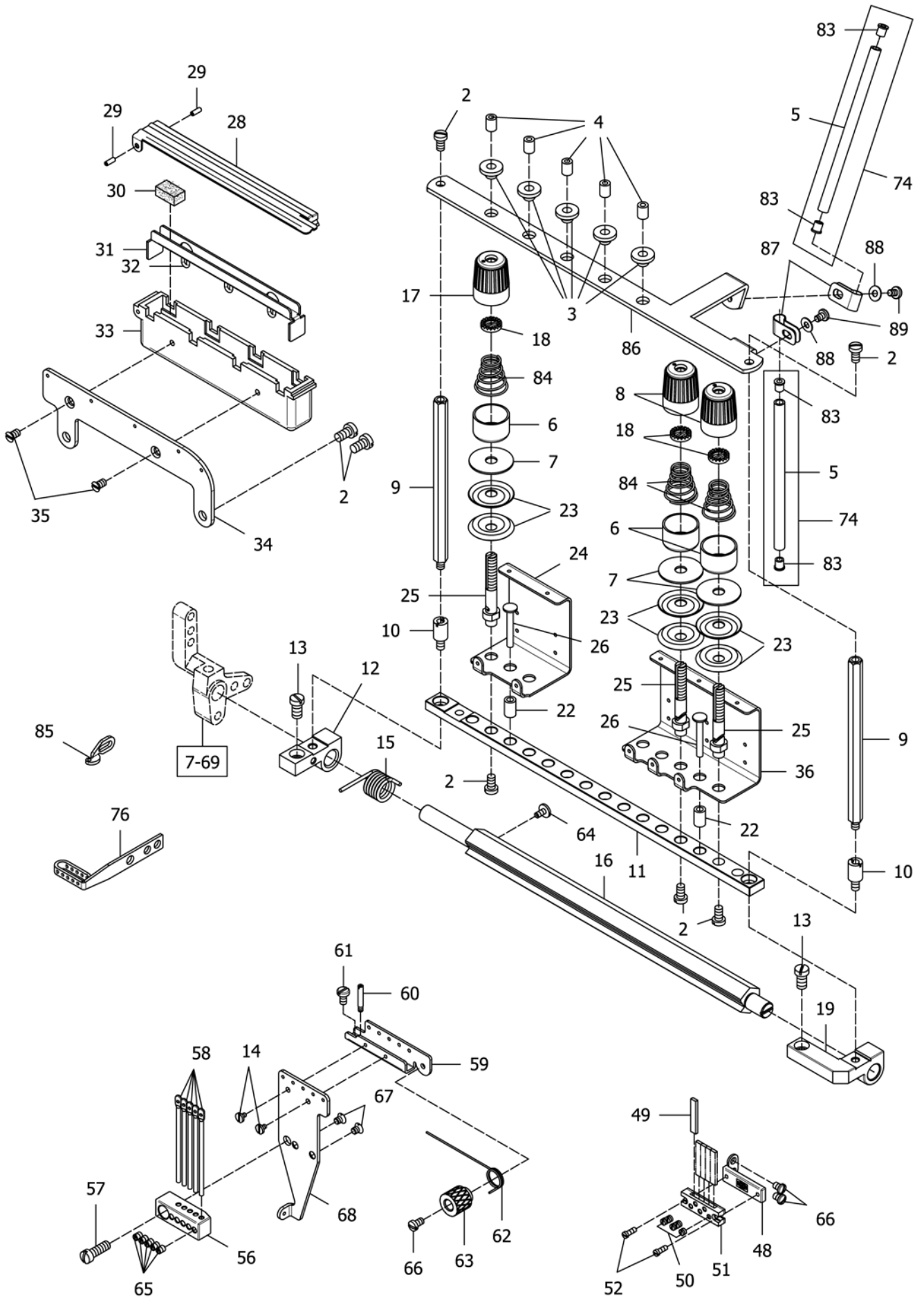
SELECT DEVICE(EK PRESSER FOOT)

Ref.	Parts			Amt.
<u>No.</u>	<u>No.</u>	<u>Description</u>	<u>品 名</u>	<u>Req.</u>
1A	★ 07403101A	Yielding Section (One Side Cut).....	押具輔助座(單切用).....	1
2A	★ 07403102A	Yielding Section(Double Side Cut).....	押具輔助座(雙切用).....	1
3	★ 07403103	Yielding Section (470.480-01DS).....	押具輔助座(限用470.480-01DS).....	1
4	★ 07403104	Yielding Section (02-4L20).....	押具輔助座(限用02-4LXX).....	1
5	★ 07403105	Yielding Section (02R).....	押具輔助座(限用02R).....	1
6	★ 07403106	Yielding Section (T5).....	押具輔助座(限用T5).....	1
7	07403107	Yielding Section	押具輔助座(防抓痕).....	1
	★ 請參照附件1【針距規格表】			



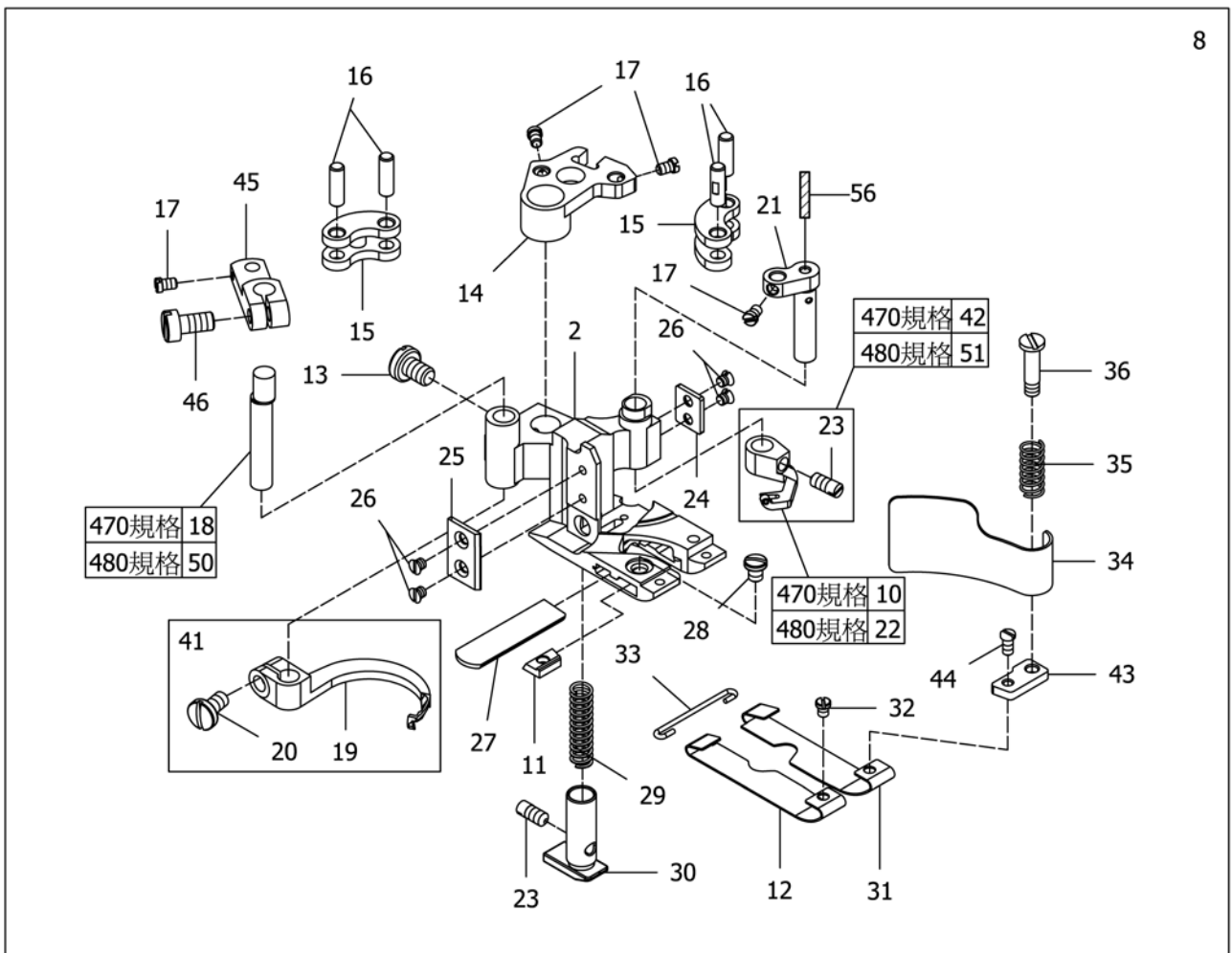
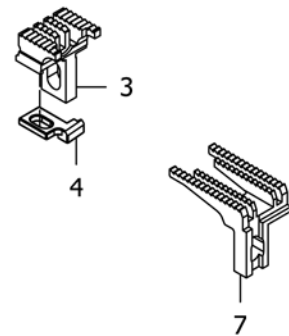
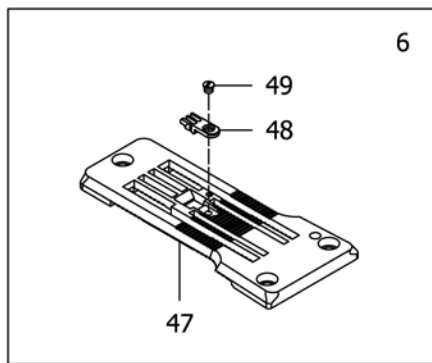
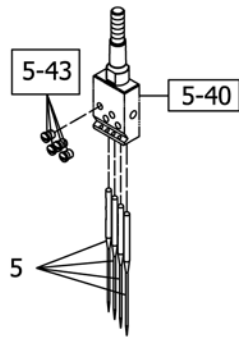
SELECT DEVICE(MISCELLANEOUS THREAD EYELETS-5NEEDLE) 選擇配備(過線機構-五針七線) 33

Ref.	Parts			Amt.
No.	No.	Description	品 名	Req.
2	07400302	Screw (11/64-40X7.8).....	螺絲.....	11
3	07400303	Thread Eyelet Bushing.....	過線孔套圈.....	5
4	07400304	Thread Eyelet.....	過線孔.....	5
5	07870321	Thread Pipe (Long).....	過線管(長).....	2
6	07870306	Spring Retainer.....	彈簧固定座.....	7
7	07870307	Felt.....	氈墊.....	7
8	07870343	Spring Cap.....	彈簧調整鈕.....	2
9	07400309	Thread Guide Plate Support.....	線架板支撐棒.....	2
10	07400397	Screw (11/64-40X7).....	螺絲.....	2
11	07403311	Thread Tension Support.....	上線張力固定座.....	1
12	07400399	Thread Tension Support Bracket.....	上線張力固定座支架.....	1
13	07400313	Screw (7/32-32X10).....	螺絲.....	2
14	07400314	Screw (3/32-56X3.1).....	螺絲.....	2
15	07400315	Tension Release Shaft Spring.....	張力釋放軸彈簧.....	1
16	07403316	Tension Release Shaft.....	張力釋放軸.....	1
17	07870301	Spring Cap.....	彈簧調整鈕.....	5
18A	07870302A	Tension Spring Disc Support.....	張力彈簧調整圓盤.....	7
19	07403319	Thread Tension Support Bracket.....	上線張力固定座支架.....	1
22	07400322	Tension Release Pin Bushing.....	張力釋放插銷套管.....	8
23	07400323	Thread Tension Disc.....	張力調整盤.....	14
24	07400324	Thread Tension Disc Eyelet.....	張力調整過線架.....	2
25A	07400325A	Tension Post.....	張力彈簧支柱.....	7
26	074003102	Tension Release Pin.....	張力釋放插銷.....	8
28	07400328	Oil Cup Lip.....	矽油儲存槽蓋.....	1
29	07870328	Hinge Pin.....	鉸鏈插銷.....	2
30	07400330	SP Felt.....	SP吸油氈.....	4
31	07400331	SP Felt Stay.....	SP吸油氈支柱.....	1
32	07400332	Oil Wick.....	油芯.....	1
33	07400333	SP Container.....	矽油儲存槽.....	1
34	07403334	SP Container Support.....	矽油儲存槽固定座.....	1
35	07400335	Screw (9/64-40X4.6).....	螺絲.....	2
36	07403336	Thread Tension Disc Eyelet.....	張力調整過線架.....	1
48	07403348	Needle Thread Strike-off Pin Holder Bracket...	打線片固定架.....	1



SELECT DEVICE(MISCELLANEOUS THREAD EYELETS-5NEEDLE) 選擇配備(過線機構-五針七線) 33

Ref.	Parts			Amt.
<u>No.</u>	<u>No.</u>	<u>Description</u>	<u>品 名</u>	<u>Req.</u>
49	07400349	Needle Thread Strike-off Pin.....	打線片.....	5
50	07400350	Screw (1/8-44X2).....	螺絲.....	5
51	07403351	Needle Thread Strike-off Pin Holder.....	打線片固定座.....	1
52	07400352	Screw (3/32-56X6.2).....	螺絲.....	2
56	07403356	Needle Thread Eyelet Holder.....	針線過線棒座.....	1
57	07400357	Screw (11/64-40X13).....	螺絲.....	1
58	07400358	Needle Thread Eyelet.....	針線過線棒.....	5
59	07403359	Stitch Unlocker Mounting Bracket.....	過線架.....	1
60	07400360	Screw (M2.3-0.4X3).....	螺絲.....	1
61	07400361	Screw (1/8-44X5.9).....	螺絲.....	1
62	07403362	Stitch Unlocking Spring.....	過線彈簧.....	1
63	07400363	Stitch Unlocking Spring Holder.....	過線彈簧調節鈕.....	1
64	07400364	Screw (1/8-44X6.4).....	螺絲.....	1
65	07400365	Screw (1/8-44X3.4).....	螺絲.....	5
66	07400366	Screw (1/8-44X5.6).....	螺絲.....	3
67	07400367	Screw (1/8-44X2.7).....	螺絲.....	2
68	07403368	Stitch Unlocking Holder.....	過線座.....	1
74	07400374	Thread Pipe C.Set (Long).....	過線管組(長).....	2
76	07403376	Needle Thread Take-up.....	導線架.....	1
83	07870363	Thread Eyelet.....	過線陶瓷(深灰).....	4
84	074003105	Needle Thread Tension Spring.....	針線張力彈簧.....	7
85	07400354	Head Cover Thread Eyelet.....	車台前蓋過線孔.....	1
86	07403386	Thread Guide Plate.....	線架板.....	1
87	074003111	Tube Clip.....	管夾.....	2
88	07401125	Washer.....	墊片.....	2
89	07400227	Screw (9/64-40X5).....	螺絲.....	2

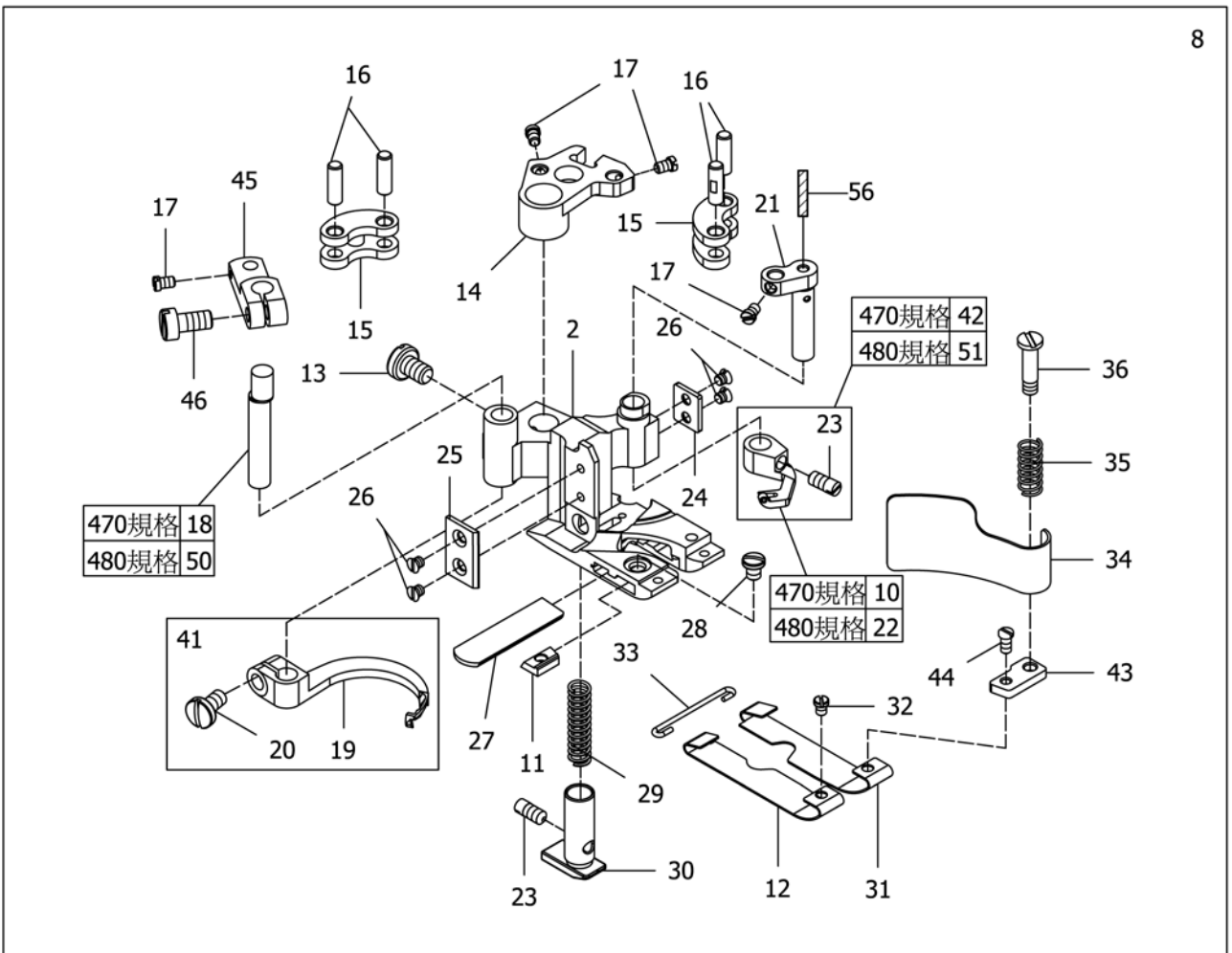
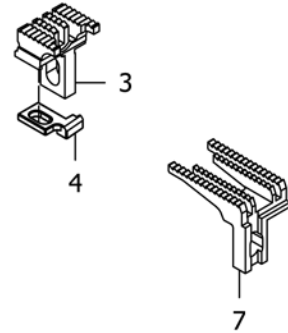
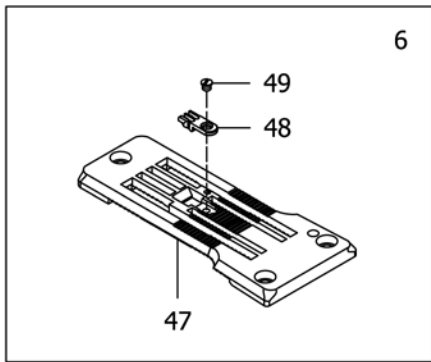
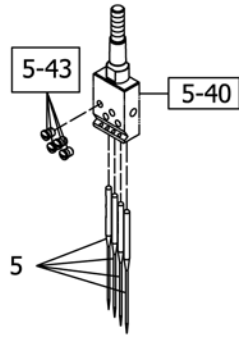


SELECT DEVICE(01-DS)-470.480

選擇配備(01-DS)-潛水衣 **34**

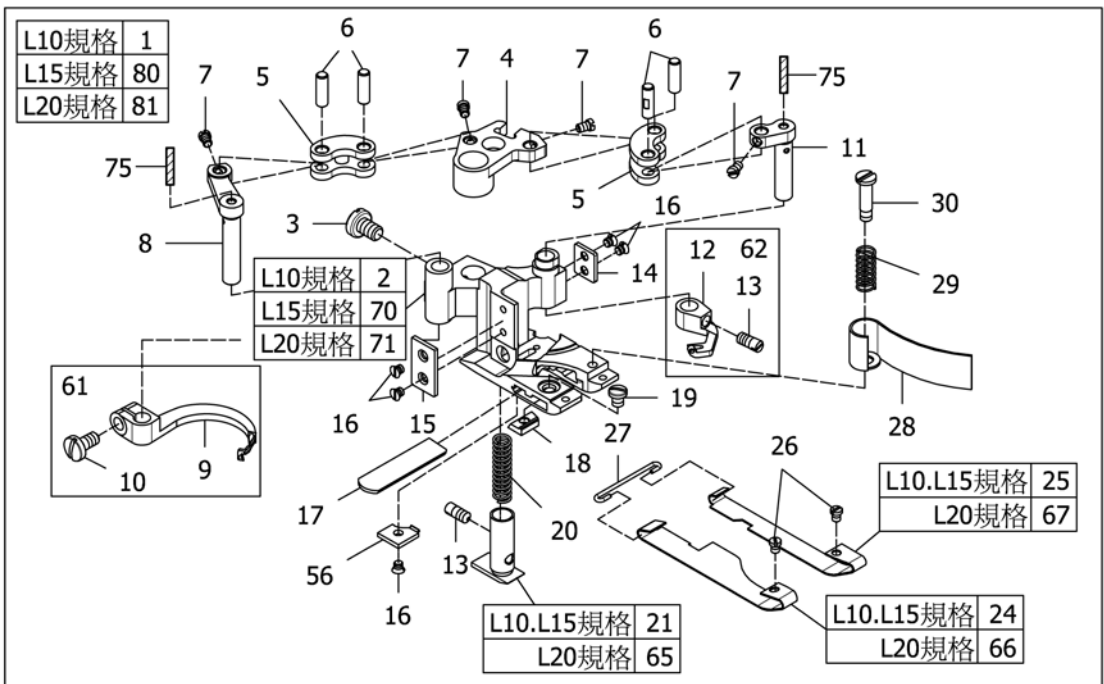
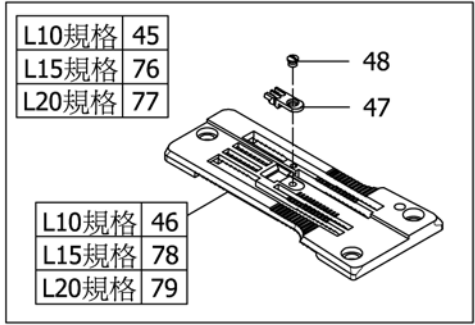
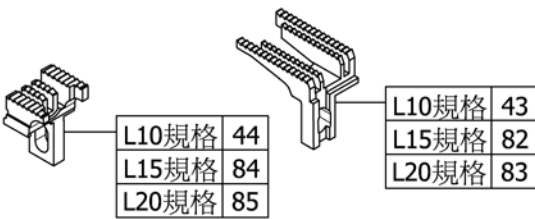
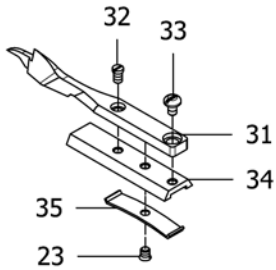
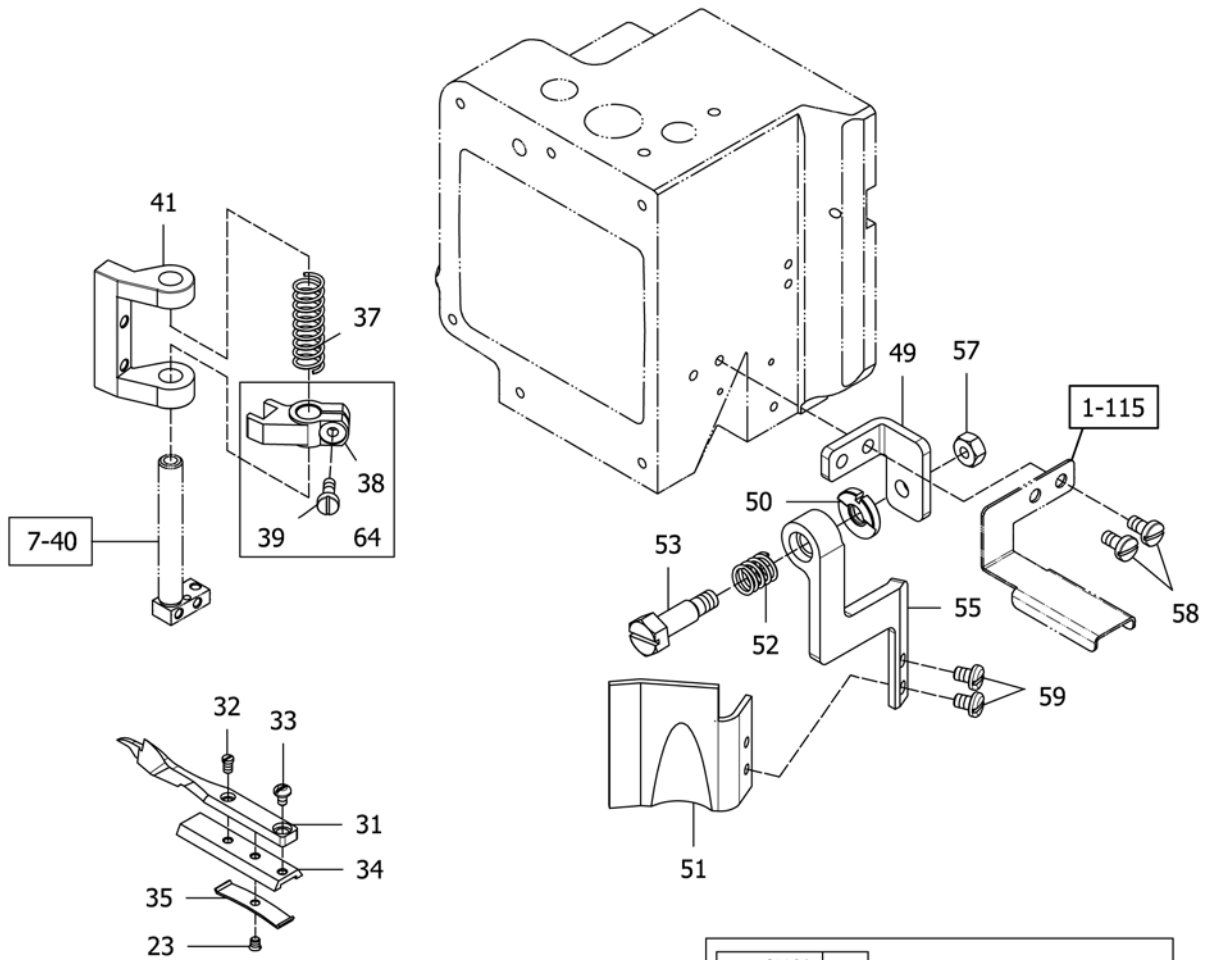
Ref.	Parts			Amt.
No.	No.	Description	品 名	Req.
2	★	Presser Foot (01)-470.480.....	專用押腳(01)-規格470.480...	1
3	★ 07403403	Main Feed Dog	單切後送齒.....	1
4	★ 07403404	Needle Guard(Rear).....	針檔(後).....	1
5	★	Needle.....	機針.....	4
6	★	Stitch Plate C.Set.....	針板組.....	1
7	★ 07402407	Differential Feed Dog.....	前送齒.....	1
8	★	Presser Foot C. Set	專用押具組.....	1
10	★ 07403410MF	Top Cover Thread Carrier.....	上飾線勾針(短).....	1
11	★ 07400630	Lower Knife Clamp.....	下切刀夾板.....	1
12	★ 07403412	Presser Foot Spring Plate (Left).....	押具押板(左).....	1
13	07400615	Screw (11/64-40X6.3).....	螺絲.....	1
14	★ 07400616	Carrier/Hook Driving Segment.....	上勾針驅動扇形片.....	1
15	★ 07400617	Carrier/Hook Driving Lever Link.....	上勾針驅動連桿.....	2
16	★ 07400618	Link Pin.....	連桿插銷.....	4
17	07400619	Screw (3/32-56X3.3).....	螺絲.....	4
18	★ 07403418	Thread Hook Driving Lever (For 470 Only)....	勾針驅動槓桿(限用470)...	1
19	★ 07400621MF	Top Cover Thread Hook.....	上飾線勾針(長).....	1
20	07400622	Screw (9/64-40X6.8).....	螺絲.....	1
21	★ 07400623	Top Cover Thread Carrier Driving Lever.....	上飾線托架驅動槓桿.....	1
22	★ 07403422MF	Top Cover Thread Carrier (For 480 Only).....	上飾線勾針(短)(限用480)...	1
23	07400338	Screw (1/8-44X5).....	螺絲.....	2
24	★ 07400626	Presser Foot Attach Piece (Right).....	押腳連接片(右).....	1
25	★ 07400627	Presser Foot Attach Piece (Left).....	押腳連接片(左).....	1
26	07400628	Screw(3/32-56X2.4).....	螺絲.....	4
27	★ 07400629	Lower Knife.....	下切刀片.....	1
28	07400631	Screw (1/8-44X3.5).....	螺絲.....	1
29	07400632	Yielding Section Spring.....	押具輔助座彈簧.....	1
30	★ 07402116	Yielding Section.....	押具輔助座.....	1
31	★ 07403431	Presser Foot Spring Plate (Right).....	押具押板(右).....	1
32	07400637	Screw (3/32-56X2.6).....	螺絲.....	1
33	★ 07400638	Spring Plate Holder.....	彈簧片固定座.....	1
34	★ 07400639	Chip Guard.....	切角防護片.....	1
35	★ 07400640	Chip Guard Spring.....	切角防護片彈簧.....	1
36	07400641	Screw (1/8-44X3.4).....	螺絲.....	1
41	07400646MF	Top Cover Thread Hook C.Set.....	上飾線勾針組(長).....	1
42	07403442MF	Top Cover Thread Carrier C.Set (For 470 Only).....	上飾線勾針組(短)(限用470)...	1
43	★ 07400649	Spacer.....	墊塊.....	1

★ 請參照附件1【針距規格表】



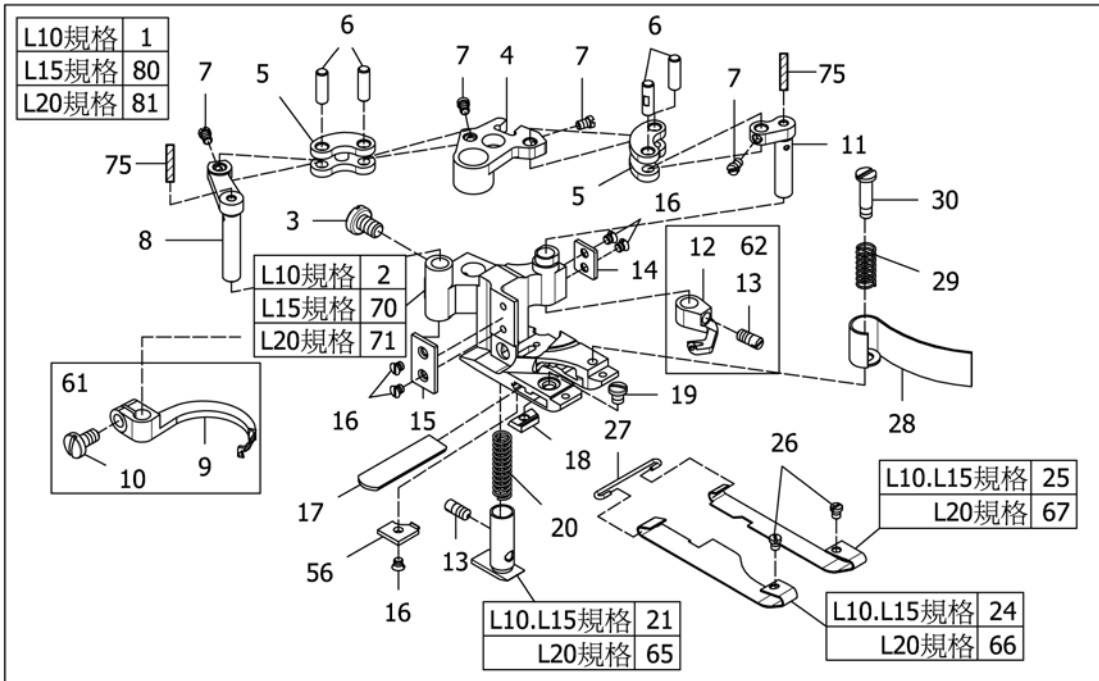
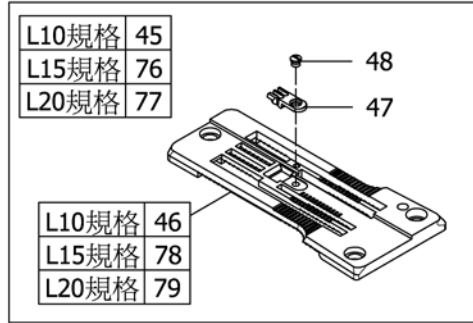
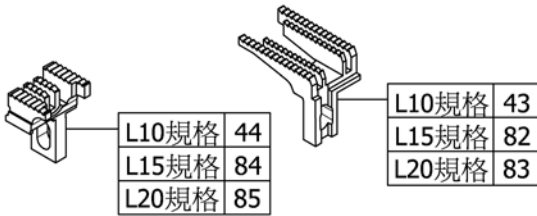
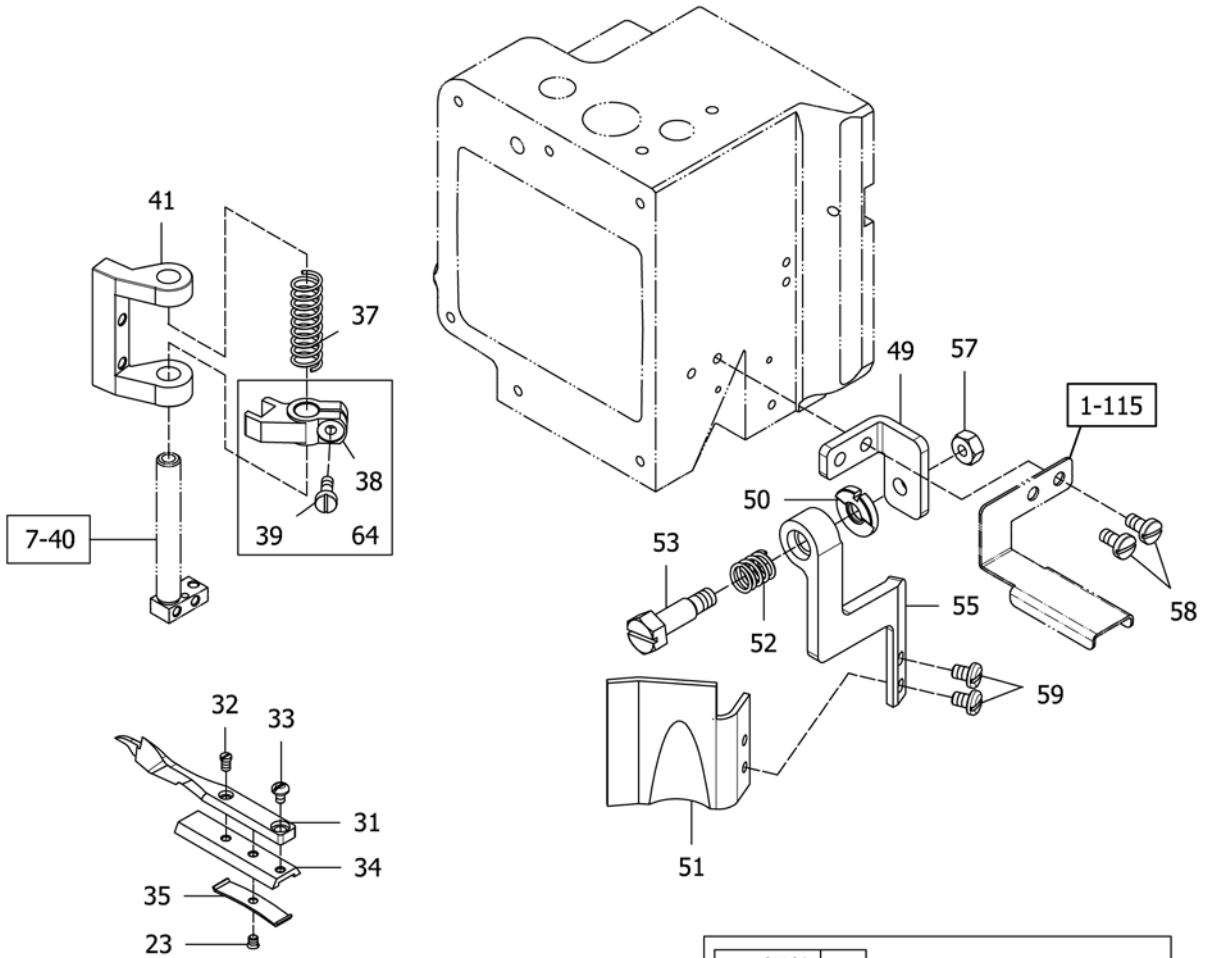
SELECT DEVICE(01-DS)-470.480選擇配備(01-DS)-潛水衣 **34**

Ref.	Parts			Amt.
<u>No.</u>	<u>No.</u>	<u>Description</u>	<u>品 名</u>	<u>Req.</u>
44	07400650	Screw (3/32-56X4.8).....	螺絲.....	1
45	★ 07403445	Driving Lever.....	驅動連桿.....	1
46	07400168	Screw (M4-0.7X8).....	螺絲(一字頭).....	1
47	★	Stitch Plate.....	單切針板.....	1
48	★	Stitch Plate Tongue.....	針板舌.....	1
49	07400547	Screw (3/32-56X2).....	螺絲.....	1
50	★ 07403450	Thread Hook Driving Lever (For 480 Only).....	勾針驅動槓桿(限用480)....	1
51	07403451MF	Top Cover Thread Carrier C.Set (For 480 Only).....	上飾線勾針組(短)(限用480)...	1
56	★ 07400651	Green Wool.....	綠色毛線.....	1
	★ 請參照附件1【針距規格表】			



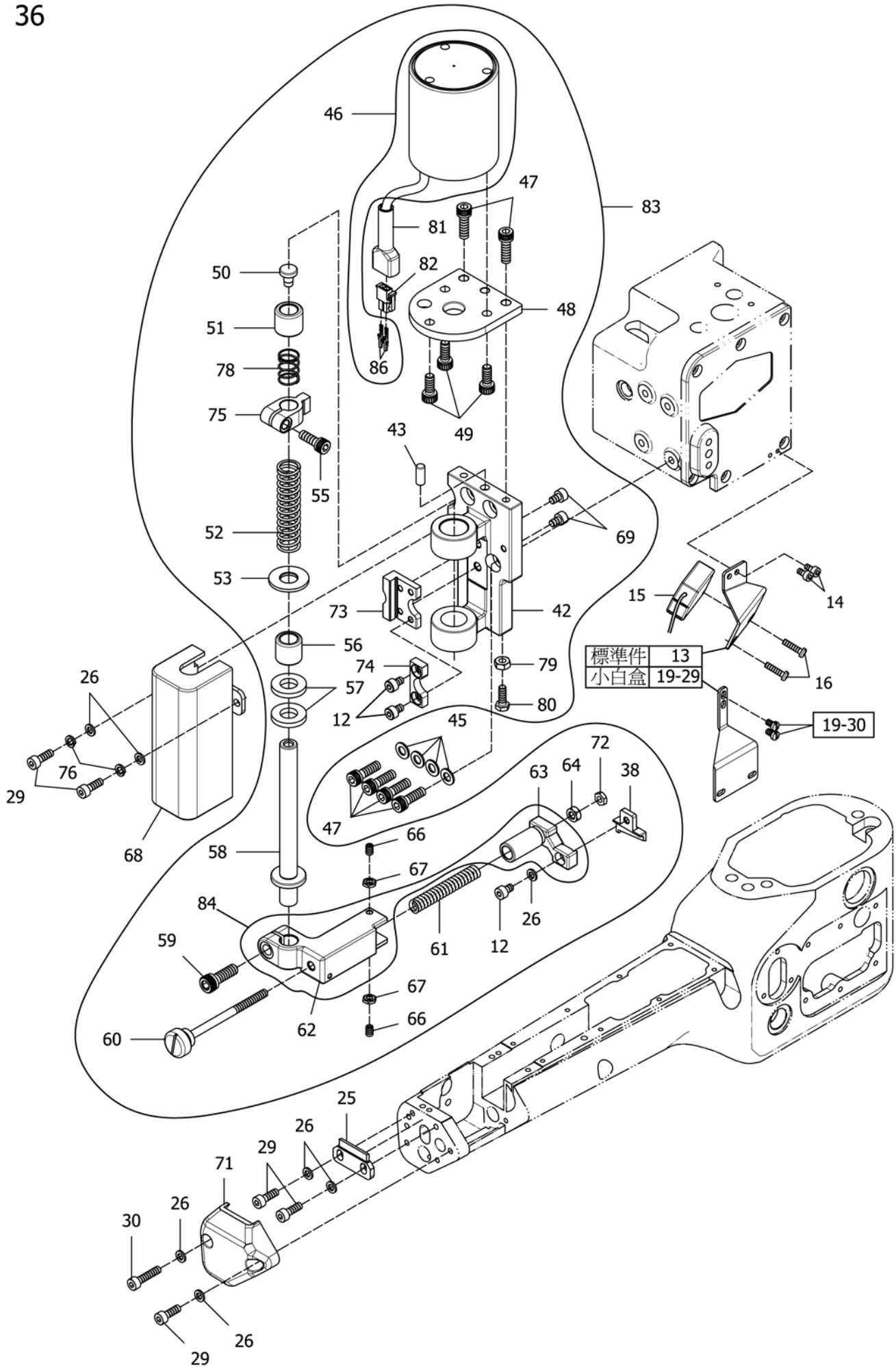
Ref.	Parts			Amt.
No.	No.	Description	品 名	Req.
1	★	Double Side Cut Presser Foot C.Set (L10).....	雙切押具組(L10).....	1
2	★	Double Side Cut Presser Foot (L10).....	雙切段差厚料押腳(L10).....	1
3	07400615	Screw (11/64-40X6.3).....	螺絲.....	1
4	★ 07400616	Carrier/Hook Driving Segment.....	上勾針驅動扇形片.....	1
5	★ 07400617	Carrier/Hook Driving Lever Link.....	上勾針驅動連桿.....	2
6	★ 07400618	Link Pin.....	連桿插銷.....	4
7	07400619	Screw (3/32-56X3.3).....	螺絲.....	4
8	★ 07400620	Thread Hook Driving Lever.....	勾針驅動槓桿.....	1
9	★ 07400621MF	Top Cover Thread Hook.....	上飾線勾針(長).....	1
10	07400622	Screw (9/64-40X6.8).....	螺絲.....	1
11	★ 07400623	Top Cover Thread Carrier Driving Lever.....	上飾線托架驅動槓桿.....	1
12	★ 07400624MF	Top Cover Thread Carrier.....	上飾線勾針(短).....	1
13	07400338	Screw (1/8-44X5).....	螺絲.....	2
14	★ 07400626	Presser Foot Attach Piece (Right).....	押腳連接片(右).....	1
15	★ 07403515	Presser Foot Attach Piece (Left).....	押腳連接片(左).....	1
16	07400628	Screw(3/32-56X2.4).....	螺絲.....	5
17	★ 07400629	Lower Knife.....	下切刀片.....	1
18	★ 07400630	Lower Knife Clamp.....	下切刀夾板.....	1
19	07400631	Screw (1/8-44X3.5).....	螺絲.....	1
20	★ 07400632	Yielding Section Spring.....	押具輔助座彈簧.....	1
21	★ 07403521	Yielding Section (L10.L15).....	押具輔助座(L10. L15).....	1
23	07401823	Screw (3/32-56X2).....	螺絲.....	1
24	★ 07403524	Presser Foot Spring Plate (Left)(L10.L15).....	押具押板(左)(L10.L15).....	1
25	★ 07403525	Presser Foot Spring Plate (Right)(L10.L15).....	押具押板(右)(L10.L15).....	1
26	07400637	Screw (3/32-56X2.6).....	螺絲.....	2
27	★ 07400638	Spring Plate Holder.....	彈簧片固定座.....	1
28	★ 07403528	Chip Guard.....	切角防護片.....	1
29	★ 07400640	Chip Guard Spring.....	切角防護片彈簧.....	1
30	07400641	Screw (1/8-44X3.4).....	螺絲.....	1
31	★ 07403531	Lap Former Guide.....	導布器.....	1
32	07401832	Screw (3/32-56X3.5).....	螺絲.....	1
33	07401833	Screw (3/32-56X3.9).....	螺絲.....	1
34	★ 07403534	Lap Former Guide Support.....	導布器座.....	1
35	07401835	Lap Former Guide Spring.....	導布器彈簧片.....	1
37	07400772	Knife Holder Spring.....	上切刀固定座彈簧.....	1
38	07403538	Knife Holder Guide Collar.....	刀台襯套.....	1
39	07400739	Screw (9/64-40X9).....	螺絲.....	1

★ 請參照附件1【針距規格表】



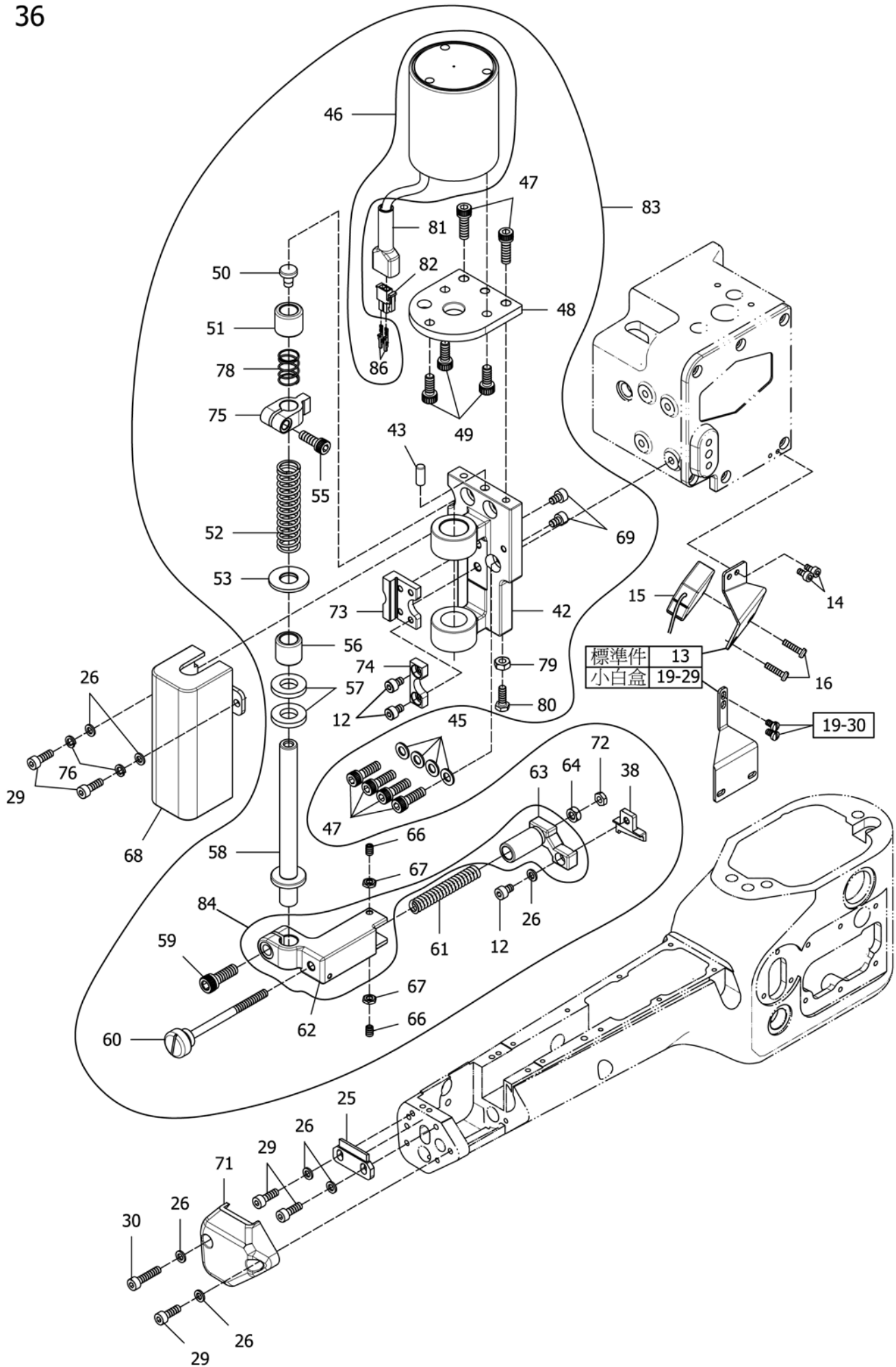
Ref.	Parts			Amt.
No.	No.	Description	品 名	Req.
41	07403541	Knife Holder Shank Support.....	上切刀固定座支架.....	1
43	★ 07403543	Differential Feed Dog(L10).....	前送齒(L10).....	1
44	★ 07403544	Main Feed Dog(L10).....	後送齒(L10).....	1
45	★	Stitch Plate C.Set (L10).....	針板組(L10).....	1
46	★	Stitch Plate (L10).....	針板(L10).....	1
47	★	Stitch Plate Tongue.....	針板舌.....	1
48	07400547	Screw (3/32-56X2).....	螺絲.....	1
49	07403549	Frame Chip Guard Bracket.....	導布蓋支架.....	1
50	07400182	Frame Chip Guard Washer.....	導布蓋固定墊片.....	1
51	★ 07403551	Frame Chip Guard.....	導布蓋.....	1
52	07400183	Frame Chip Guard Spring.....	導布蓋彈簧.....	1
53	07400184	Screw (M5-0.8X8.5).....	螺絲.....	1
55	07403555	Frame Chip Guard Support.....	導布蓋固定座.....	1
56	★ 07403556	Presser Foot Tongue.....	導布板.....	1
57	07871028	Nut.....	螺帽.....	1
58	07400150	Screw (9/64-40X7).....	螺絲.....	2
59	07400227	Screw (9/64-40X5).....	螺絲.....	2
61	07400646MF	Top Cover Thread Hook C.Set.....	上飾線勾針組(長).....	1
62	07400647MF	Top Cover Thread Carrier C.Set.....	上飾線勾針組(短).....	1
64	07403564	Knife Holder Guide Collar C.Set.....	刀台襯套組.....	1
65	★ 07400633	Yielding Section(L20).....	押具輔助座(L20).....	1
66	★ 07403566	Presser Foot Spring Plate (Left)(L20).....	押具押板(左)(L20).....	1
67	★ 07403567	Presser Foot Spring Plate (Right)(L20).....	押具押板(右)(L20).....	1
70	★	Double Side Cut Presser Foot (L15).....	雙切段差厚料押腳(L15).....	1
71	★	Double Side Cut Presser Foot (L20).....	雙切段差厚料押腳(L20).....	1
75	★ 07400651	Green Wool.....	綠色毛線.....	2
76	★	Stitch Plate C.Set (L15).....	針板組(L15).....	1
77	★	Stitch Plate C.Set (L20).....	針板組(L20).....	1
78	★	Stitch Plate (L15).....	針板(L15).....	1
79	★	Stitch Plate (L20).....	針板(L20).....	1
80	★	Double Side Cut Presser Foot C.Set (L15).....	雙切押具組(L15).....	1
81	★	Double Side Cut Presser Foot C.Set (L20).....	雙切押具組(L20).....	1
82	★ 07403582	Differential Feed Dog(L15).....	前送齒(L15).....	1
83	★ 07403583	Differential Feed Dog(L20).....	前送齒(L20).....	1
84	★ 07403584	Main Feed Dog(L15).....	後送齒(L15).....	1
85	★ 07403585	Main Feed Dog(L20).....	後送齒(L20).....	1

★ 請參照附件1【針距規格表】



SELECT DEVICE(EK)**選擇配備(EK)-自動切線****36**

Ref.	Parts			Amt.
<u>No.</u>	<u>No.</u>	<u>Description</u>	<u>品 名</u>	<u>Req.</u>
12	07403012	Screw(M4-0.7X6).....	螺絲.....	3
13	07403013	Switches Holder.....	電眼架(側面).....	1
14	07403014	Screw(M3-0.5X6).....	螺絲.....	2
15	07403015	Photoelectric Switches.....	光電感應器.....	1
16	07872110	Screw(M3-0.5X12).....	螺絲.....	2
25	07403025	Lower Knife.....	下切刀.....	1
26	07870650	Washer.....	墊片.....	7
29	07870623	Screw (M4-0.7X12).....	螺絲.....	5
30	07870724	Screw (M4-0.7X18).....	螺絲.....	1
38	07403038	Upper Knife.....	上切刀.....	1
42	07403642	EK Holder.....	電磁式自動切線固定架.....	1
43	07403643	Pin.....	插銷.....	1
45	07401547	Washer.....	墊片.....	4
46	07403646	Solenoid.....	電磁鐵.....	1
47	07401534	Screw (M5-0.8X16)	螺絲.....	6
48	07403648	Solenoid Bracket.....	電磁鐵吊架.....	1
49	07401429	Screw (M5-0.8X10)	螺絲.....	3
50	07403650	Plug.....	橡膠塞.....	1
51	07403651	Bushing(Upper).....	套管(上).....	1
52	07403652	Spring.....	定位緩衝壓簧.....	1
53	07870921	Washer.....	墊片.....	1
55	07804106	Screw (M5-0.8X14)	螺絲.....	1
56	07403656	Bushing(Lower).....	套管(下).....	1
57	07403657	Cushion Washer.....	避震墊.....	2
58	07403658	Upper Knife Driving Rod.....	上切刀驅動桿.....	1
59	07872212	Screw (M6-1X18)	螺絲.....	1
60	07403660	Knife Adjusting Post (11/64-40X25).....	上切刀調節支柱.....	1
61	07403661	Knife Holder Spring.....	上切刀固定座彈簧.....	1
62	07403662	Upper Knife Holder Sleeve.....	上切刀固定座套筒.....	1
63	07403663	Upper Knife Holder.....	上切刀固定座.....	1
64	07403664	Nut.....	螺帽.....	1
66	07870261	Screw (M4-0.7X6).....	螺絲.....	2
67	07403667	Nut.....	螺帽.....	2

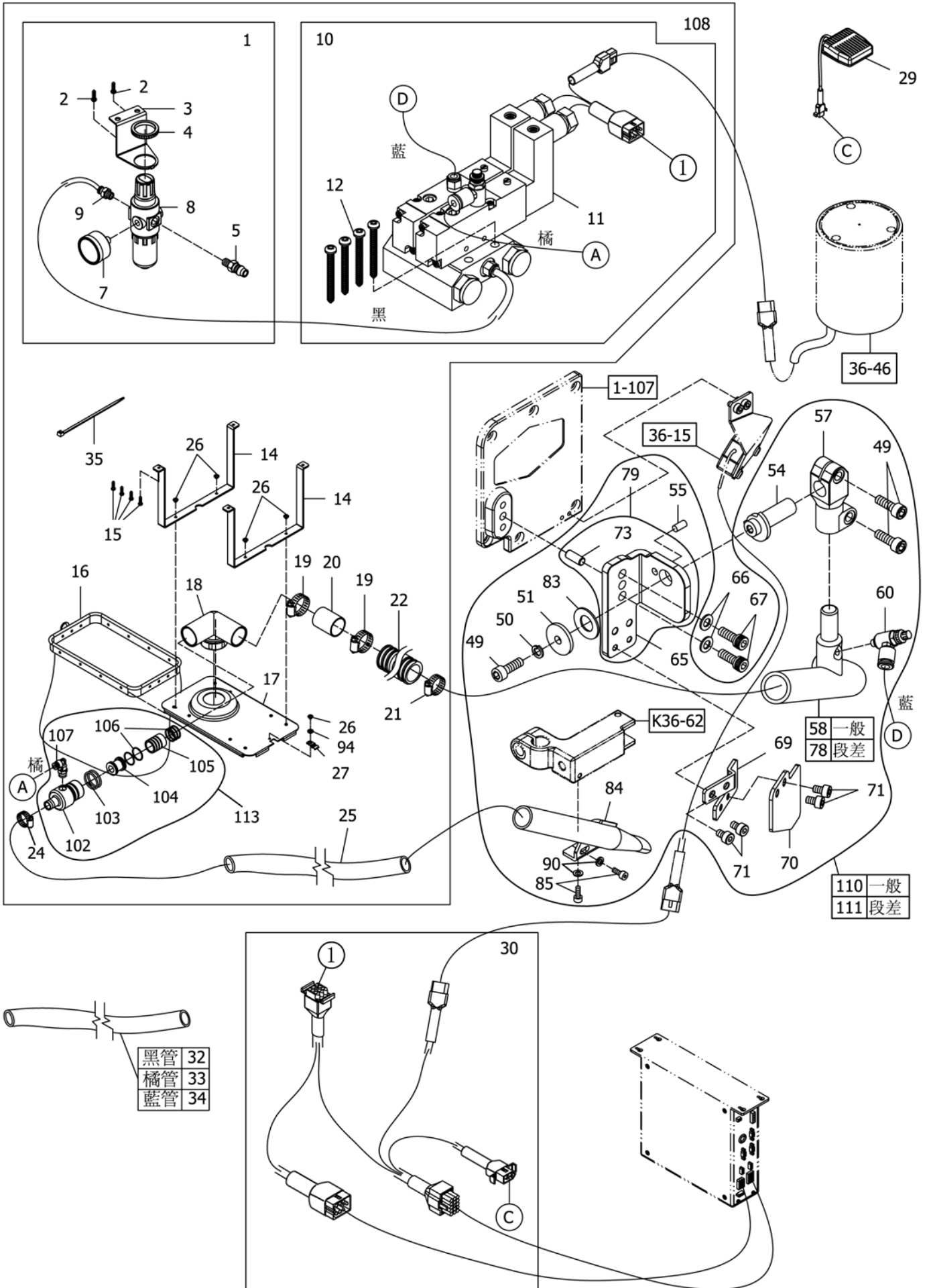


SELECT DEVICE(EK)

選擇配備(EK)-自動切線

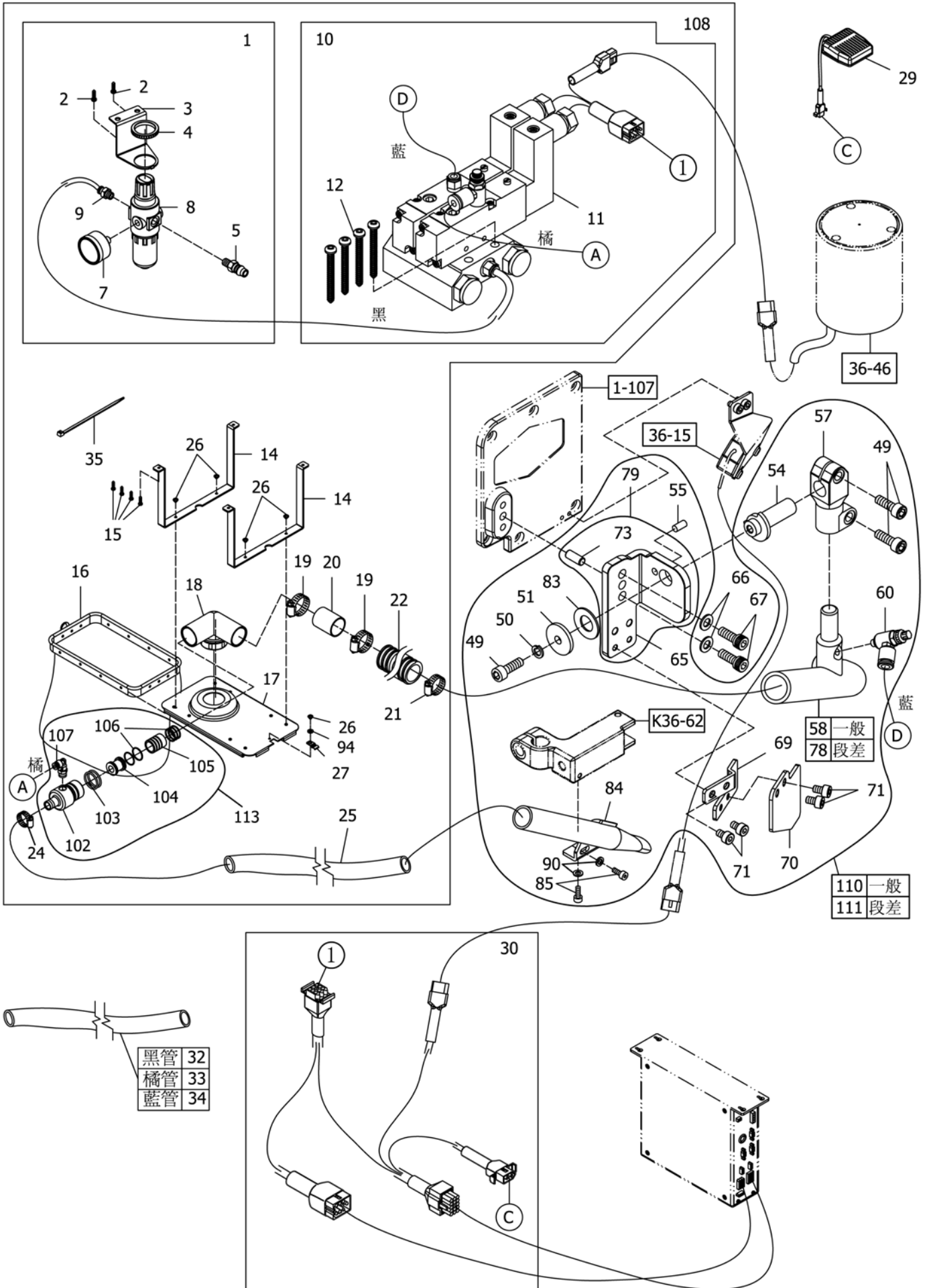
36

Ref.	Parts			Amt.
<u>No.</u>	<u>No.</u>	<u>Description</u>	<u>品 名</u>	<u>Req.</u>
68	07403668	EK Cover.....	電磁式自切護罩.....	1
69	07870256	Screw (M4-0.7X8).....	螺絲.....	2
71	07403671	Lower Knife Cover.....	下切刀護罩.....	1
72	07400110	Nut.....	螺帽.....	1
73	07403673	Shank Support.....	固定座支架.....	1
74	07403674	Slide Block.....	定位滑塊.....	1
75	07403675	Upper Knife Driving Rod Connecting Bracket..	上切刀驅動桿連結架.....	1
76	07300249	Spring Washer.....	彈簧墊片.....	2
78	07403678	Spring.....	緩衝壓簧.....	1
79	07870244	Nut.....	螺帽.....	1
80	07403680	Screw (M4-0.7X12).....	螺絲.....	1
81	07871744	Wiper Terminal Rubber Cover.....	撥線端子護套.....	1
82	07871745	Joint.....	端子座.....	1
83	07403683	EK Upper Knife C.Set.....	自切上切刀組.....	1
84	07403684	Upper Knife Holder C.Set.....	上切刀固定座組.....	1
86	07871748	Pin.....	端子.....	2



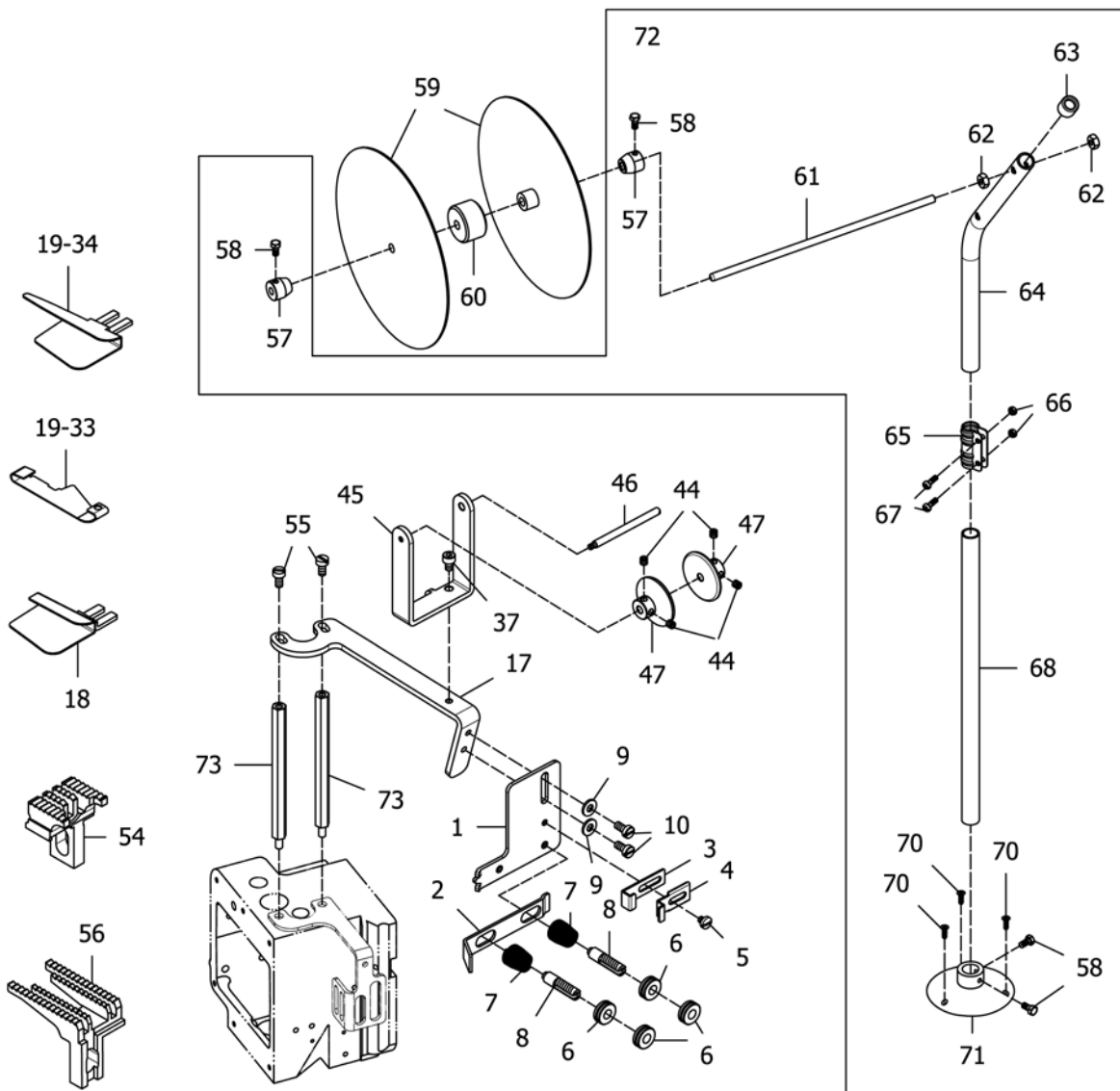
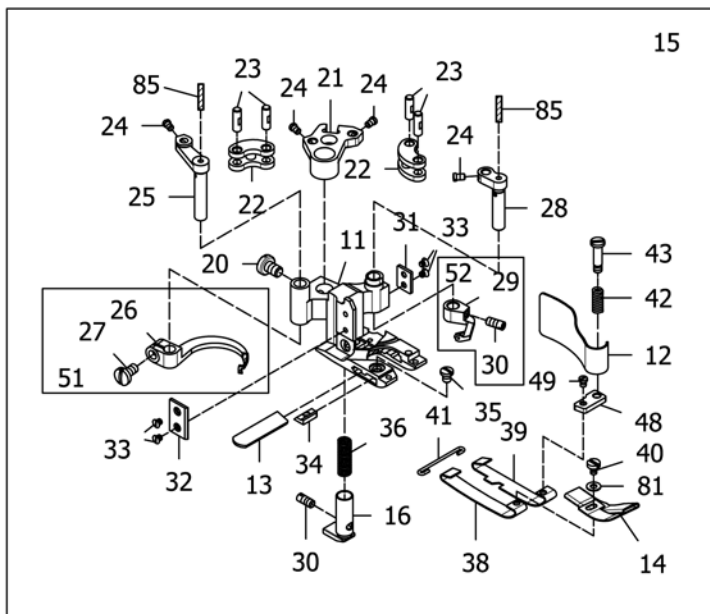
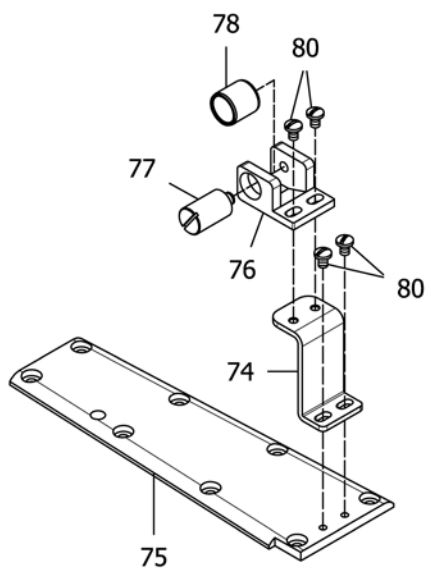
EK集塵裝置-AW9(選擇配備)

Ref.	Parts			Amt.
<u>No.</u>	<u>No.</u>	<u>Description</u>	<u>品 名</u>	<u>Req.</u>
1	07804716	Pneumatic Regulator C.Set.....	氣壓調節器組.....	1
2	07872402	Wood Screw.....	木螺絲.....	2
3	07872403	Bracket.....	托架.....	1
4	07872404	Screw Ring.....	螺環.....	1
5	07872405	Coupler.....	轉接頭.....	1
7	07872407	Gauge.....	氣磅表.....	1
8	07872408	Pneumatic Regulator.....	氣壓調節器.....	1
9	07872401	Coupler.....	轉接頭.....	1
10	07403710	Solenoid Valve C.Set.....	電磁閥組.....	1
11	07403711	Solenoid Valve.....	電磁閥.....	1
12	07403212	Wood Screw.....	木螺絲.....	4
14	07804732	Holder.....	固定座.....	2
15	07804705	Wood Screw.....	木螺絲.....	4
16	07804728	Bag.....	布屑袋.....	1
17A	07804730	Cover.....	布屑蓋.....	1
18A	07403718A	Clear Pipe.....	吸屑管.....	1
19	07401529	Fixed Ring.....	套環(19-44).....	2
20A	07401503A	Connect Tube.....	接管.....	1
21	07401517	Fixed Ring.....	套環(21-38).....	1
22A	07401506A	Tube.....	風管.....	1
24	07403224	Fixed Ring.....	套環(3/4" S).....	1
25	07403225	Tube.....	風管.....	1
26	07804733	Screw (M4-0.7X3.5).....	螺絲.....	5
27	07804734	Spring Washer.....	彈片.....	1
29	07403229	Knee Switch.....	膝動開關.....	1
30	07403230	Relay Line.....	中繼線.....	1
32	07403232	Tube (Blue).....	氣管(黑)(6mmX60cm).....	1
33	07403233	Tube (Orange).....	氣管(橘)(6mmX120cm).....	2
34	07401549	Tube (Blue).....	氣管(藍)(6mmX120cm).....	2
35	130101002	Ties.....	束線帶(CV-250).....	15
49	07401534	Screw(M5-0.8X16).....	螺絲(內六角).....	3
50	07401548	Spring Washer.....	彈簧防振墊片.....	1
51	07401531	Washer.....	墊片.....	1



EK集塵裝置-AW9(選擇配備)

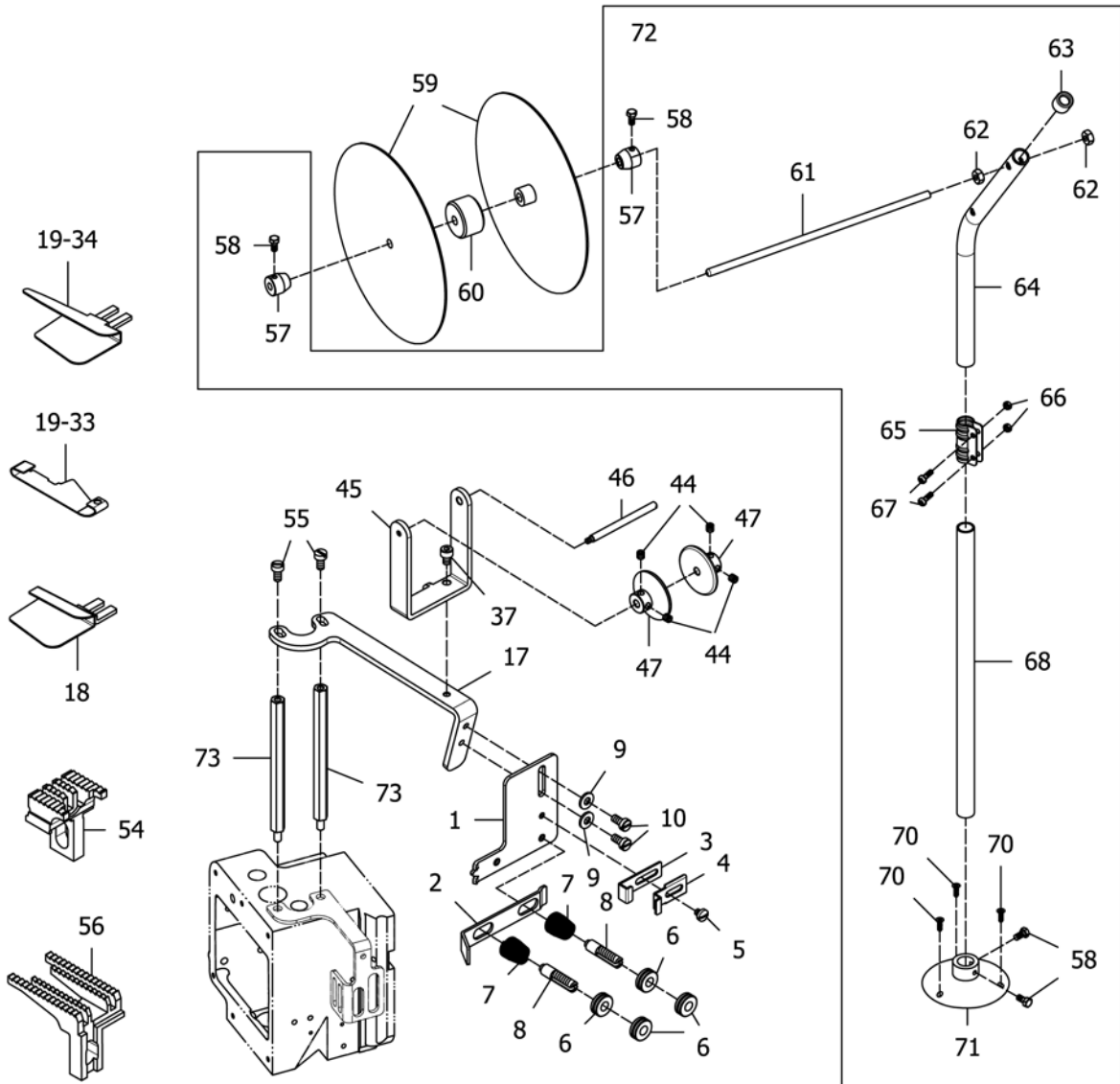
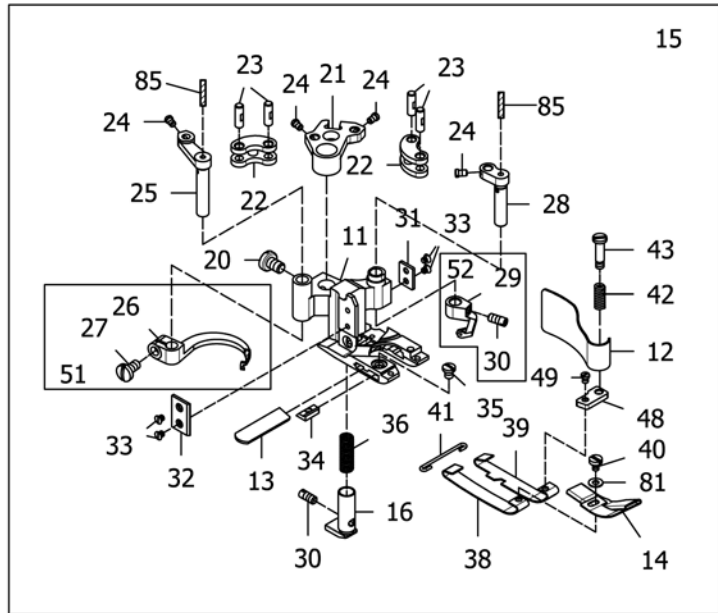
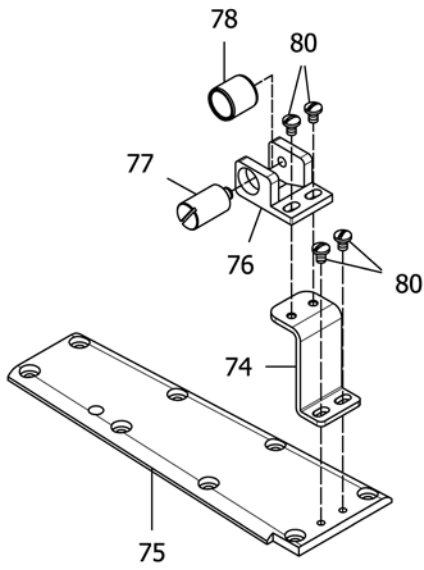
Ref.	Parts	Description	品名	Amt.
<u>No.</u>	<u>No.</u>			<u>Req.</u>
54	07401536	Connecting Rod Pin.....	連桿插銷.....	1
55	07401535	Pin.....	插銷.....	1
57	07401533	Connecting Rod.....	連桿.....	1
58A	07401527A	Clear Pipe.....	吸屑管(一般用).....	1
60A	07401538A	Speed Connector.....	調速接頭(B式).....	1
65	07403765	Bracket.....	托架.....	1
66	07401547	Washer.....	墊片.....	2
67	07804106	Screw(M5-0.8X14).....	螺絲.....	2
69	07403769	Safety Plate Support.....	護目鏡固定座.....	1
70	07403770	Safety Plate.....	護目鏡片.....	1
71	07403012	Screw(M4-0.7X6).....	螺絲.....	4
73	07403643	Pin.....	插銷.....	1
78	07401560	Clear Pipe (For 02-4LXX).....	吸屑管(段差用).....	1
79	07403779	Bracket C.Set.....	托架組.....	1
83	07401562	Conical Spring Washer.....	錐形彈簧墊圈.....	1
84A	07403784A	Clear Pipe.....	吸屑管.....	1
85	07201104	Screw(M3-0.5X8).....	螺絲.....	2
90	30000345	Washer.....	墊片.....	2
94	07401563	Washer.....	墊片.....	1
102	074037102	Air amplifier.....	空氣放大器(增壓專用).....	1
103	074037103	O-ring.....	O環.....	2
104	074037104	Air amplifier.....	空氣放大器(增壓專用).....	1
105	074037105	Air amplifier.....	空氣放大器(增壓專用).....	1
106	074037106	O-ring.....	O環.....	5
107	074037107	Speed Connector.....	調速接頭.....	1
108	074037108	Clear System.....	吸風組.....	1
110	074037110	Clear Pipe C.Set (For EK).....	吸屑管組(EK專用).....	1
111	074037111	Clear Pipe C.Set (For 02-4LXX).....	吸屑管組(EK段差專用).....	1
113	074037113	Air amplifier C.Set.....	空氣放大器組(增壓專用)....	1



SELECT DEVICE(01-T3)

Ref.	Parts			Amt.
No.	No.	Description	品 名	Req.
1	07402101	Tape Holder.....	織帶固定座.....	1
2	07403802	Tape Tension Disc Clamp.....	張力調整夾板.....	1
3	07402103	Tape Thread Guard (Rear).....	過線架(後).....	1
4	07402104	Tape Thread Guard (Front).....	過線架(前).....	1
5	07402105	Screw (9/64-40X4).....	螺絲.....	1
6	07402106	Spring Disc Nut.....	彈簧調整螺帽.....	4
7	07402107	Tape Spring.....	彈簧.....	2
8	07402108	Tension Post.....	張力彈簧支柱.....	2
9	07872903	Wash.....	墊片.....	2
10	07400302	Screw (11/64-40X7.8).....	螺絲.....	2
11	★	Presser Foot (T3).....	專用押腳(T3).....	1
12	★ 07401828	Chip Guard.....	切角防護片.....	1
13	★ 07400629	Lower Knife.....	下切刀.....	1
14	07403814	Binder.....	喇叭器.....	1
15	★	Presser Foot C. Set.....	押具組.....	1
16	★ 07402116	Yielding Section.....	押具輔助座.....	1
17	★ 07403817	Tape Control Bracket.....	織帶控制架.....	1
18	07403818	Folder.....	導布器.....	1
20	07400615	Screw (11/64-40X6.3).....	螺絲.....	1
21	★ 07400616	Carrier/Hook Driving Segment.....	上勾針驅動扇形片.....	1
22	★ 07400617	Carrier/Hook Driving Lever Link.....	上勾針驅動連桿.....	2
23	★ 07400618	Link Pin.....	連桿插銷.....	4
24	07400619	Screw (3/32-56X3.3).....	螺絲.....	4
25	★ 07400620	Thread Hook Driving Lever.....	勾針驅動槓桿.....	1
26	★ 07400621MF	Top Cover Thread Hook.....	上飾線勾針(長).....	1
27	07400622	Screw (9/64-40X6.8).....	螺絲.....	1
28	★ 07400623	Top Cover Thread Carrier Driving Lever.....	上飾線托架驅動槓桿.....	1
29	★ MF	Top Cover Thread Carrier.....	上飾線勾針(短).....	1
30	07400338	Screw (1/8-44X5).....	螺絲.....	2
31	★ 07400626	Presser Foot Attach Piece (Right).....	押腳連接片(右).....	1
32	★ 07400627	Presser Foot Attach Piece (Left).....	押腳連接片(左).....	1
33	07400628	Screw(3/32-56X2.4).....	螺絲.....	4
34	★ 07400630	Lower Knife Clamp.....	下切刀夾板.....	1
35	07400631	Screw (1/8-44X3.5).....	螺絲.....	1
36	★ 07403836	Yielding Section Spring.....	押具輔助座彈簧.....	1
37	07403012	Screw(M4-0.7X6).....	螺絲(內六角).....	1
38	★ 07403838	Presser Foot Spring Plate (Left).....	押具押板(左).....	1
39	★ 07403839	Presser Foot Spring Plate (Right).....	押具押板(右).....	1
40	07400314	Screw (3/32-56X3.1).....	螺絲.....	1
41	★ 07400638	Spring Plate Holder.....	彈簧片固定座.....	1
42	★ 07400640	Chip Guard Spring.....	切角防護片彈簧.....	1

★ 請參照附件1【針距規格表】

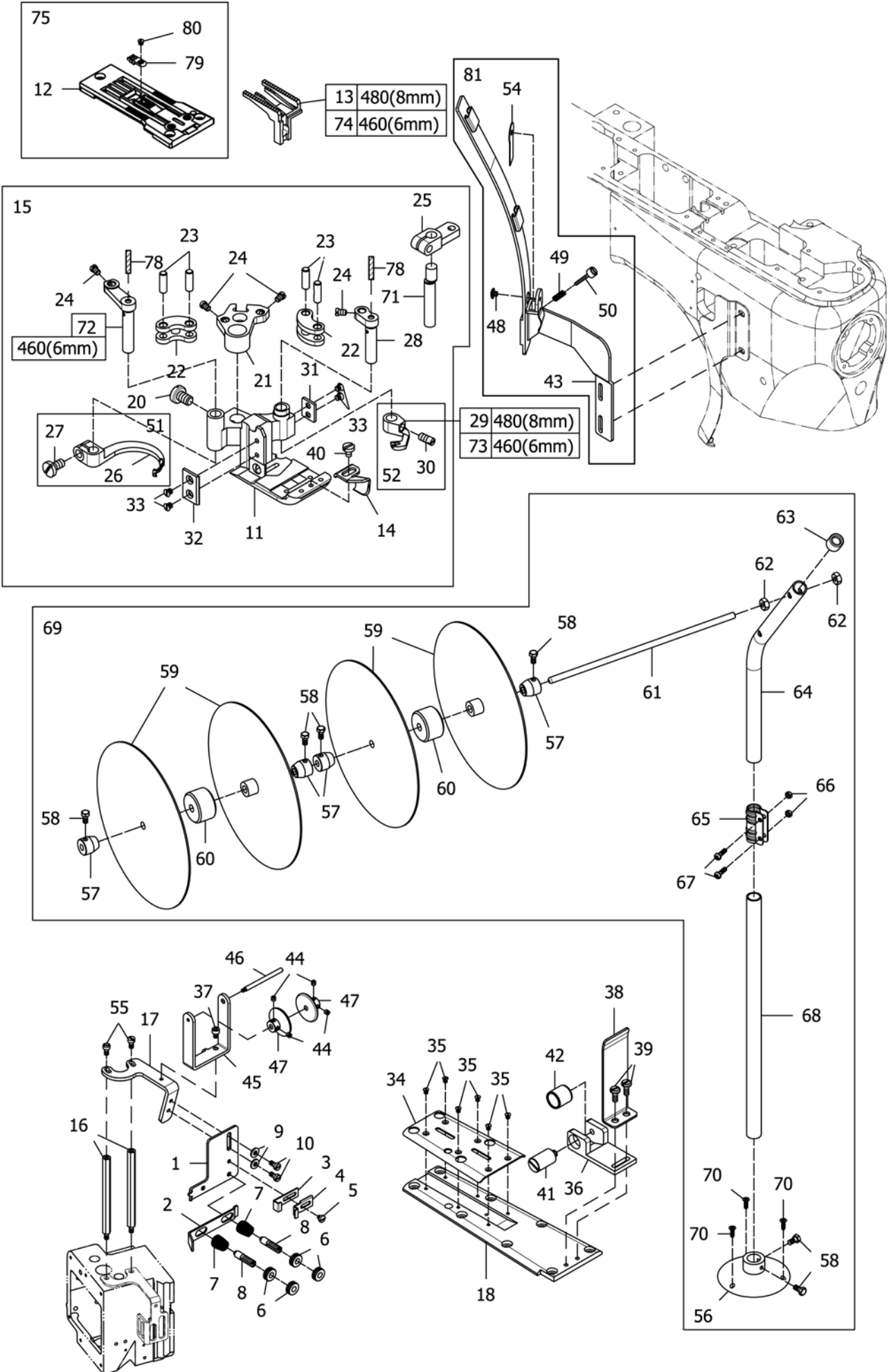


SELECT DEVICE(01-T3)

Ref.	Parts			Amt.
No.	No.	Description	品 名	Req.
43	07400641	Screw (1/8-44X3.4).....	螺絲.....	1
44	07870229	Screw (M4-0.7X4).....	螺絲.....	4
45	07403845	Bracket.....	托架.....	1
46	07403846	Shaft.....	軸心.....	1
47	07403847	Tape Guide.....	織帶導件.....	2
48	★ 07400649	Spacer.....	墊塊.....	1
49	07400650	Screw (3/32-56X4.8).....	螺絲.....	1
51	07400646MF	Top Cover Thread Hook C.Set.....	上飾線勾針組(長).....	1
52	07400647MF	Top Cover Thread Carrier C.Set.....	上飾線勾針組(短).....	1
54	★ 07402907	Main Feed Dog(Coarse Mesh) For Single Cutter	單切後勾齒(細齒).....	1
55	07400168	Screw (M4-0.7X8).....	螺絲.....	2
56	★ 07402906	Differential Feed Dog(Coarse Mesh).....	前勾齒(細齒).....	1
57	07421301	Collar.....	軸環.....	2
58	07421302	Screw.....	螺絲.....	4
59	07402206	Tape Reel.....	貼條盤.....	2
60	07402215	Cushion Block.....	墊塊.....	1
61	07421305	Tape Reel Shaft.....	貼條主軸.....	1
62	07421306	Nut.....	螺帽.....	2
63	07421307	Rubber Column Cap.....	橡膠柱頭蓋.....	1
64	07421308	Tape Column Pipe.....	貼條圓柱管.....	1
65	07421309	Tape Column Pipe Connector.....	接頭.....	1
66	07421310	Nut.....	螺帽.....	2
67	07421311	Screw.....	螺絲.....	2
68	07421312	Fixing Lever.....	固定螺桿.....	1
70	07421314	Wood Screw.....	木螺絲.....	3
71	07421315	Tape Holder.....	貼條固定座.....	1
72	07421333	Tape Reel Holder C.Set.....	貼條架組.....	1
73	07403873	Tape Control Bracket Support.....	織帶控制架支撐棒.....	2
74	07403874	Tape Roller Bracket.....	織帶滾輪架.....	1
75	★ 07403875	Cylinder Frame Cover (Upper).....	上蓋.....	1
76	07403876	Tape Roller Holder.....	織帶滾輪座.....	1
77	07403877	Screw (11/64-40X4).....	螺絲.....	1
78	07403878	Roller.....	滾輪.....	1
80	07400355	Screw (1/8-44X4.4).....	螺絲.....	4
81	07403881	Washer.....	墊片.....	1
85	★ 07400651	Green Wool.....	綠色毛線.....	2

★ 請參照附件1【針距規格表】

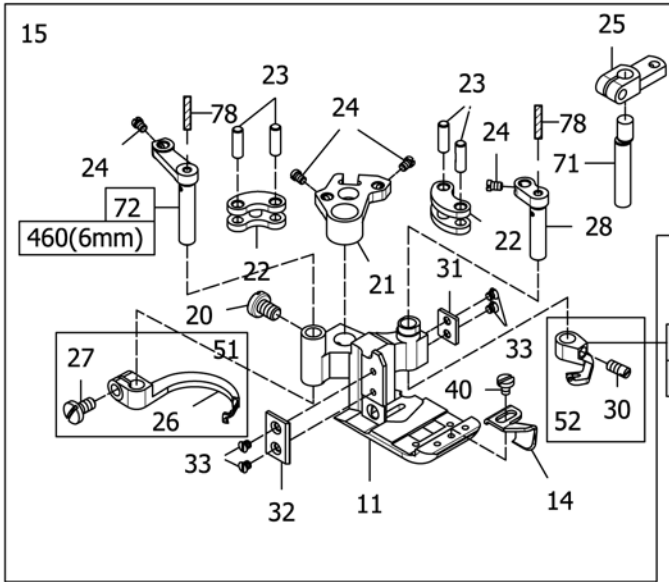
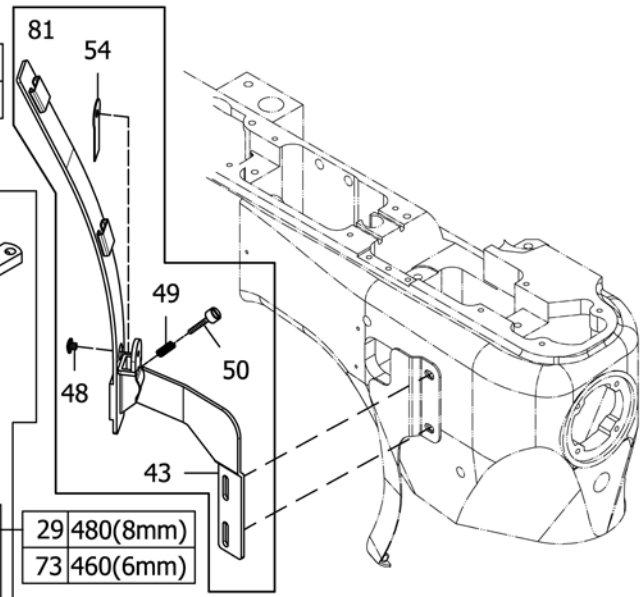
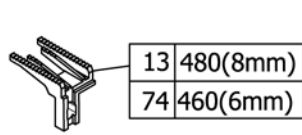
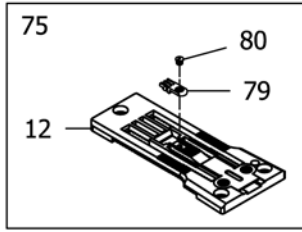
◎ 補充說明：01-T3押腳更換K19-33、K19-34，可當普通單切押腳功能使用



SELECT DEVICE(T4)

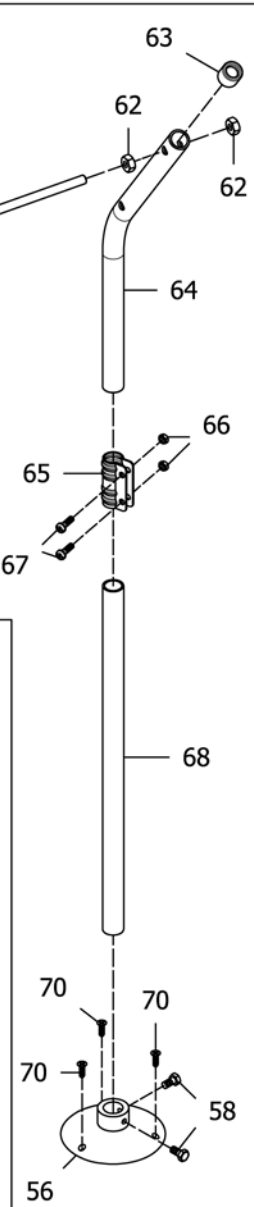
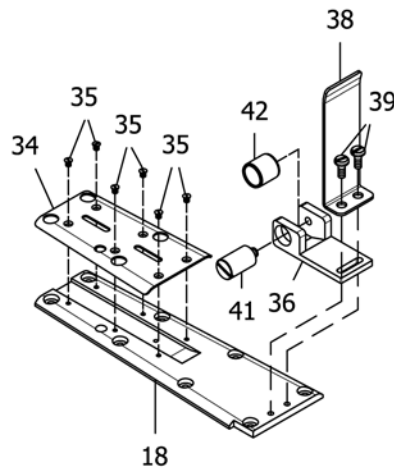
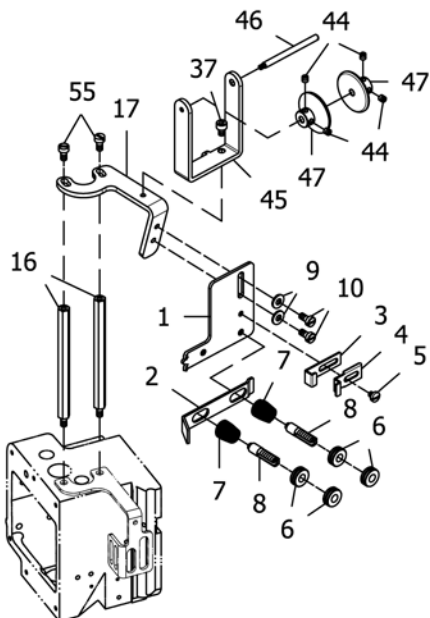
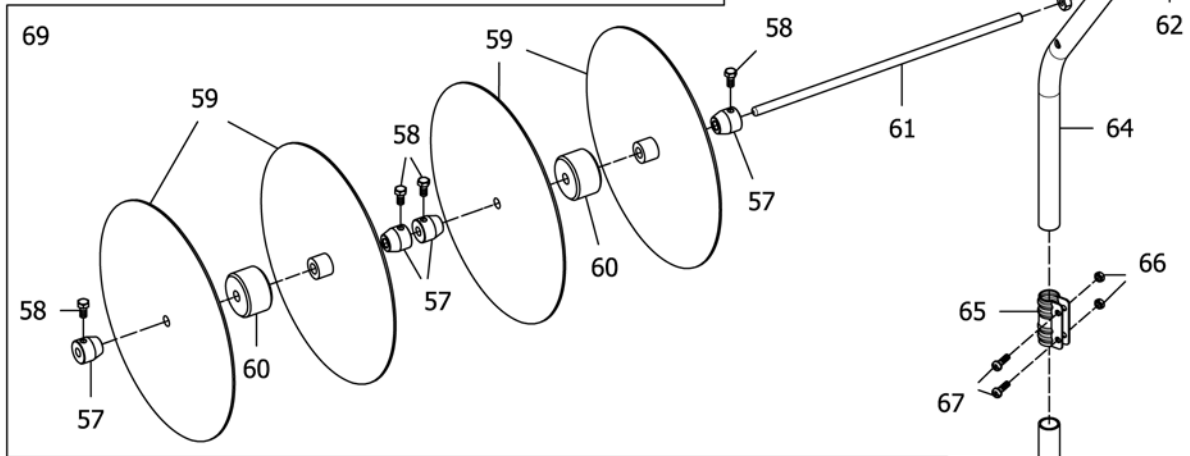
Ref. No.	Parts No.	Description	品名	Amt. Req.
1	07402101	Tape Holder.....	織帶固定座.....	1
2	07403802	Tape Tension Disc Clamp.....	張力調整夾板.....	1
3	07402103	Tape Thread Guard (Rear).....	過線架(後).....	1
4	07402104	Tape Thread Guard (Front).....	過線架(前).....	1
5	07402105	Screw (9/64-40X4).....	螺絲.....	1
6	07402106	Spring Disc Nut.....	彈簧調整螺帽.....	4
7	07402107	Tape Spring.....	彈簧.....	2
8	07402108	Tension Post.....	張力彈簧支柱.....	2
9	07872903	Wash.....	墊片.....	2
10	07400302	Screw (11/64-40X7.8).....	螺絲.....	2
11	★	Presser Foot (480.8mm)(460.6mm).....	專用押腳(480.8mm)(460.6mm)..	1
12	★	Stitch Plate (480.8mm)(460.6mm).....	專用針板(480.8mm)(460.6mm)..	1
13	★ 07403913	Differential Feed Dog(480.8mm).....	前送齒(480.8mm).....	1
14	07403914	Fabric Guide.....	壓腳舌.....	1
15	★	Presser Foot C. Set(480.8mm)(460.6mm).....	押具組(480.8mm)(460.6mm)	1
16	07403873	Tape Control Bracket Support.....	織帶控制架支撐棒.....	2
17A	★ 07402117A	Tape Control Bracket.....	織帶控制架.....	1
18	★ 07403918	Cylinder Frame Cover (Upper).....	上蓋.....	1
20	07400615	Screw (11/64-40X6.3).....	螺絲.....	1
21	★ 07400616	Carrier/Hook Driving Segment.....	上勾針驅動扇形片.....	1
22	★ 07400617	Carrier/Hook Driving Lever Link.....	上勾針驅動連桿.....	2
23	★ 07400618	Link Pin.....	連桿插銷.....	4
24	07400619	Screw (3/32-56X3.3).....	螺絲.....	4
25	★ 07403445	Driving Lever.....	驅動連桿.....	1
26	★ 07400621MF	Top Cover Thread Hook.....	上飾線過線勾.....	1
27	07400622	Screw (9/64-40X6.8).....	螺絲.....	1
28	★ 07400623	Top Cover Thread Carrier Driving Lever.....	上飾線托架驅動槓桿.....	1
29	★ 07403422MF	Top Cover Thread Carrier.....	上飾線勾針.....	1
30	07400338	Screw (1/8-44X5).....	螺絲.....	1
31	★ 07400626	Presser Foot Attach Piece (Right).....	押腳連接片(右).....	1
32	★ 07400627	Presser Foot Attach Piece (Left).....	押腳連接片(左).....	1
33	07400628	Screw(3/32-56X2.4).....	螺絲.....	4
34	07403934	Fabric Edge Guide.....	擋邊.....	1
35	07403935	Screw (3/32-56X3).....	螺絲.....	6
36	07403936	Tape Roller Holder.....	織帶滾輪座.....	1
37	07403012	Screw(M4-0.7X6).....	螺絲(內六角).....	1
38	07403938	Fabric Edge Guide.....	擋邊.....	1
39	07400218	Screw (1/8-44X8).....	螺絲.....	2

★ 請參照附件1【針距規格表】



72
460(6mm)

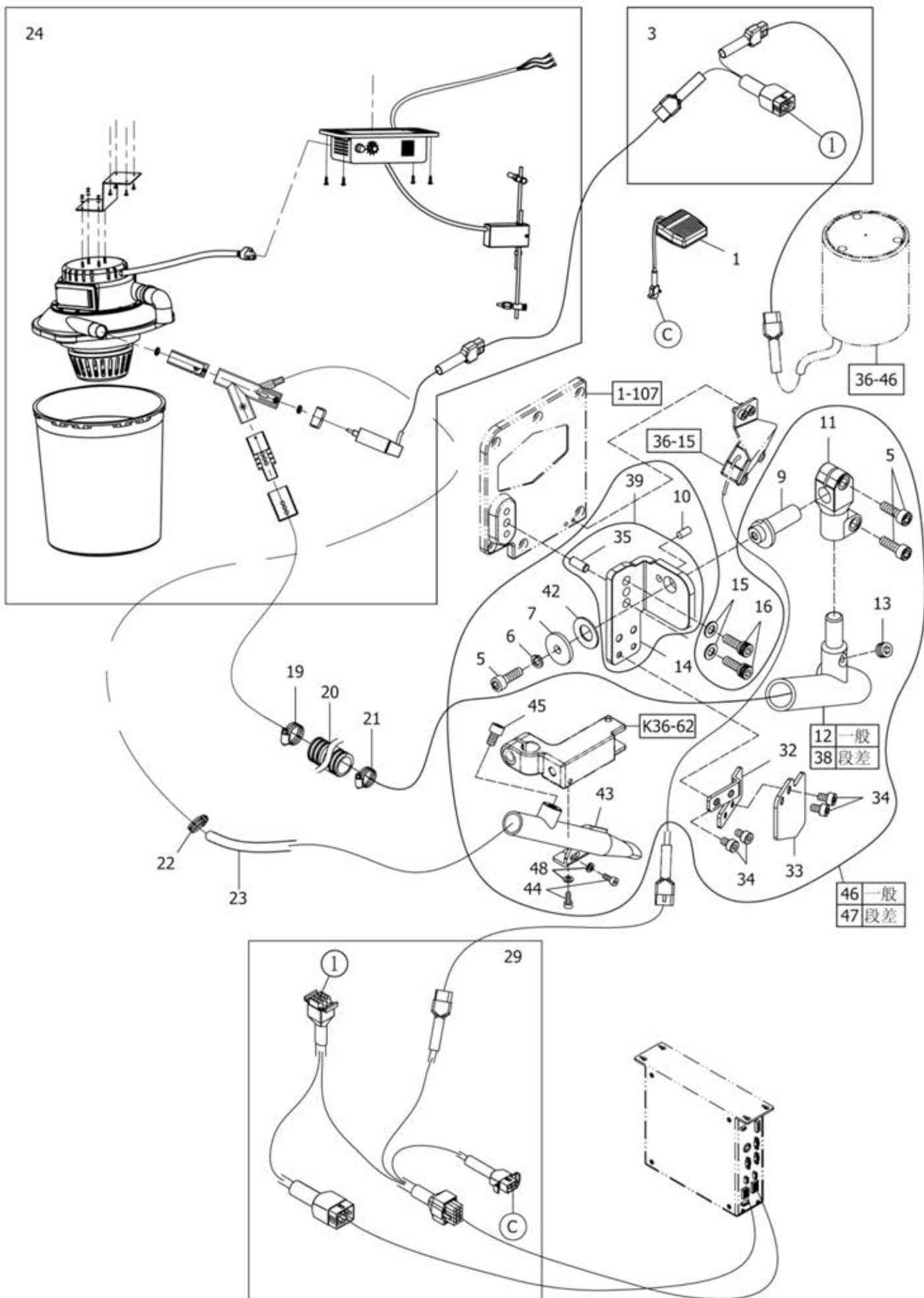
29 480(8mm)
73 460(6mm)



SELECT DEVICE(T4)

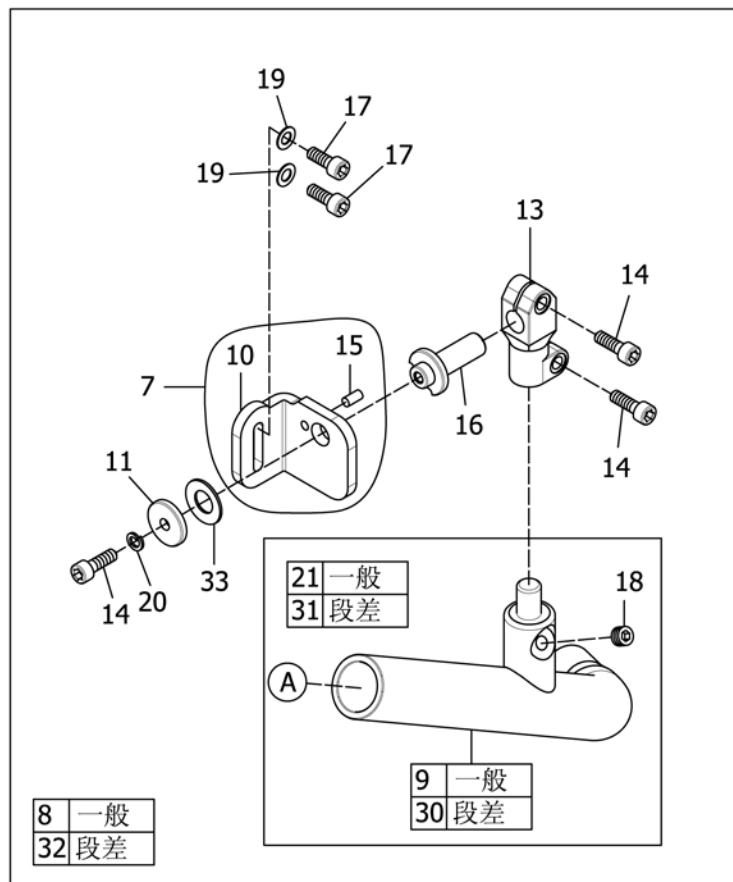
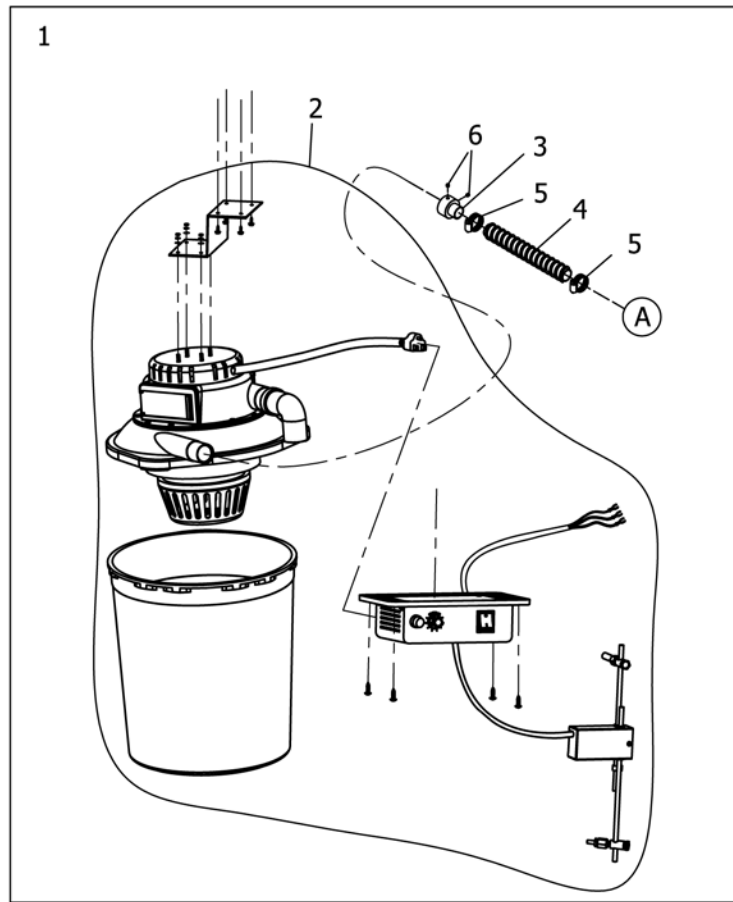
Ref.	Parts			Amt.
No.	No.	Description	品 名	Req.
40	07400314	Screw (3/32-56X3.1).....	螺絲.....	1
41	07403877	Screw (11/64-40X4).....	螺絲.....	1
42	07403878	Roller.....	滾輪.....	1
43	07403943	Bracket.....	托架.....	1
44	07870229	Screw (M4-0.7X4).....	螺絲.....	4
45	07403845	Bracket.....	托架.....	1
46	07403846	Shaft.....	軸心.....	1
47	07403847	Tape Guide.....	織帶導件.....	2
48	07403948	Screw (9/64-40X3).....	螺絲.....	1
49	07403949	Spring.....	彈簧.....	1
50	07403950	Screw (M2.3-0.45X16).....	螺絲.....	1
51	07400646MF	Top Cover Thread Hook C.Set.....	上飾線勾針組(長).....	1
52	07400647MF	Top Cover Thread Carrier C.Set.....	上飾線勾針組(短).....	1
54	07403954	Cover Spring.....	彈片.....	1
55	07400168	Screw (M4-0.7X8).....	螺絲.....	2
56	07421315	Tape Holder.....	貼條固定座.....	1
57	07421301	Collar.....	軸環.....	4
58	07421302	Screw.....	螺絲.....	6
59	07402206	Tape Reel.....	貼條盤.....	4
60	07402215	Cushion Block.....	墊塊.....	2
61	07421305	Tape Reel Shaft.....	貼條主軸.....	1
62	07421306	Nut.....	螺帽.....	2
63	07421307	Rubber Column Cap.....	橡膠柱頭蓋.....	1
64	07421308	Tape Column Pipe.....	貼條圓柱管.....	1
65	07421309	Tape Column Pipe Connector.....	接頭.....	1
66	07421310	Nut.....	螺帽.....	2
67	07421311	Screw.....	螺絲.....	2
68	07421312	Fixing Lever.....	固定螺桿.....	1
69	07403969	Tape Reel Holder C.Set.....	貼條架組.....	1
70	07421314	Wood Screw.....	木螺絲.....	3
71	★ 07403450	Thread Hook Driving Lever (For 480 Only)....	勾針驅動槓桿(限用480)....	1
72	07400620	Thread Hook Driving Lever.....	勾針驅動槓桿.....	1
73	★MF	Top Cover Thread Carrier.....	上飾線勾針.....	1
74	★ 07403974	Differential Feed Dog(460.6mm).....	前送齒(460.6mm).....	1
75	★	Stitch Plate C.Set.....	針板組.....	1
78	★ 07400651	Green Wool.....	綠色毛線.....	2
79	★	Stitch Plate Tongue.....	針板舌.....	1
80	07400547	Screw (3/32-56X2).....	螺絲.....	1
81	07403981	Bracket C.Set.....	托架組.....	1

★ 請參照附件1【針距規格表】



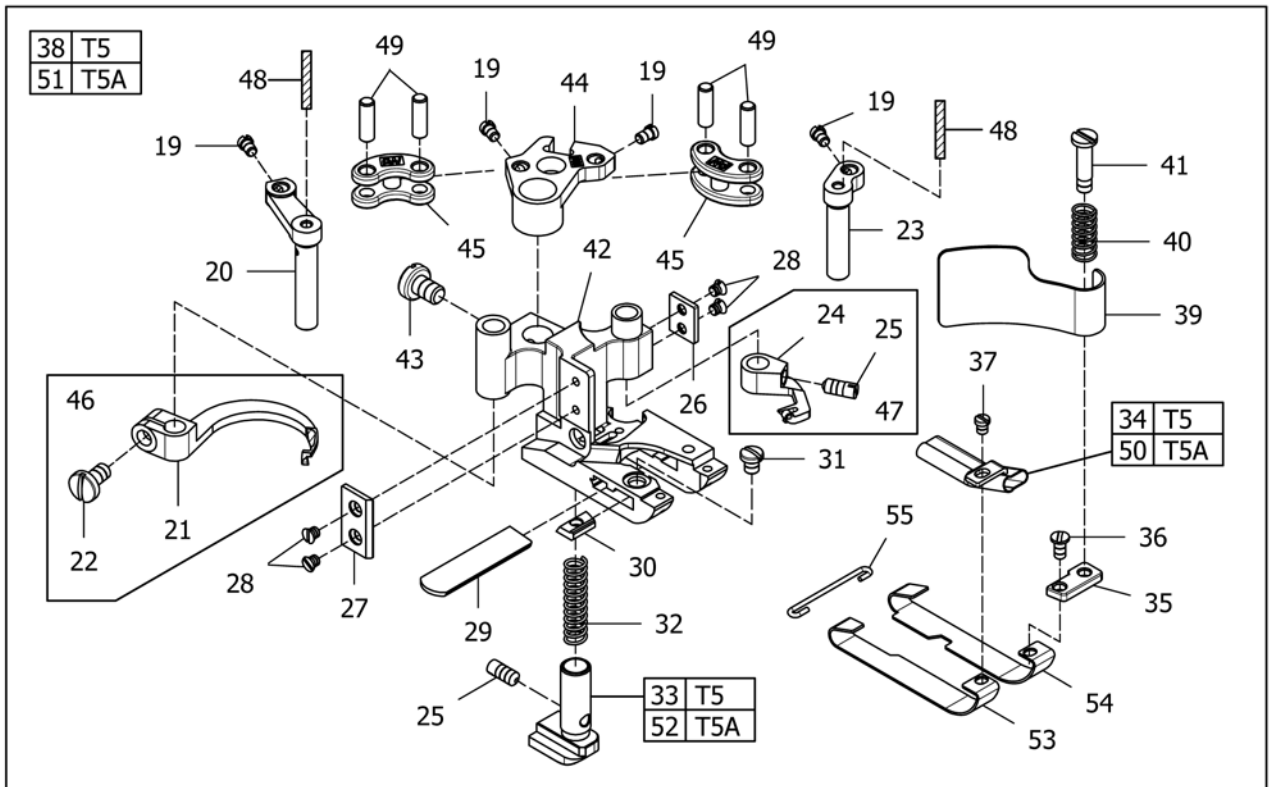
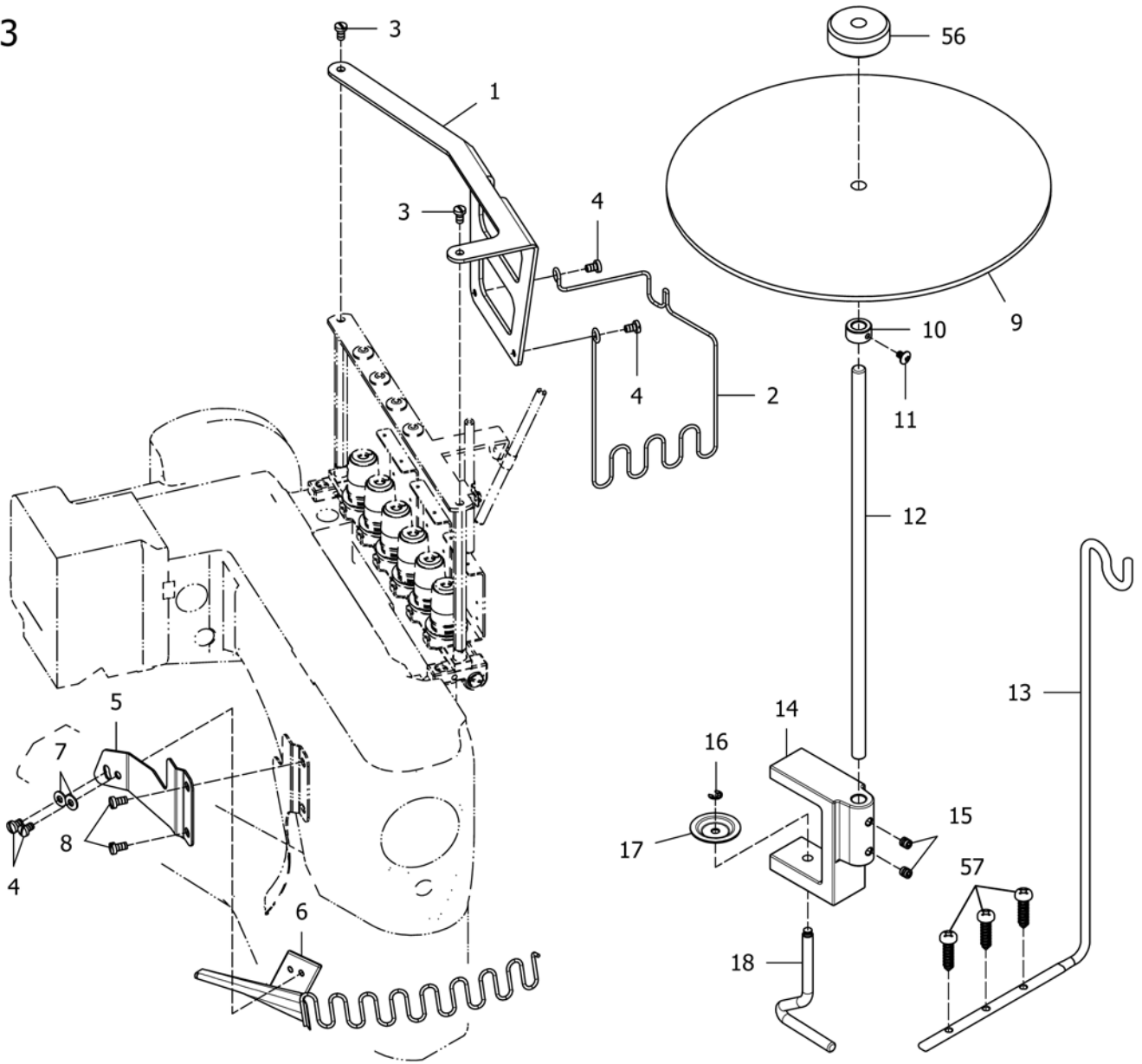
" EW10" DEVICE C.SET (SELECT DEVICE)EK集塵裝置-EW10(選擇配備) **41**

Ref.	Parts			Amt.
No.	No.	Description	品 名	Req.
1	07403229	Knee Switch.....	膝動開關.....	1
3	07404103	Relay Line.....	中繼線.....	1
5	07401534	Screw(M5-0.8X16).....	螺絲(內六角).....	3
6	07401548	Spring Washer.....	彈簧防振墊片.....	1
7	07401531	Washer.....	墊片.....	1
9	07401536	Connecting Rod Pin.....	連桿插銷.....	1
10	07401535	Pin.....	插銷.....	1
11	07401533	Connecting Rod.....	連桿.....	1
12	07401527A	Clear Pipe.....	吸屑管(一般用).....	1
13	07401618	Screw (1/8PTX7).....	螺絲.....	1
14	07403765	Bracket.....	托架.....	1
15	07401547	Washer.....	墊片.....	2
16	07804106	Screw(M5-0.8X14).....	螺絲.....	4
19	07401529	Fixed Ring.....	套環(19-44).....	2
20	07401506A	Tube.....	風管.....	1
21	07401517	Fixed Ring.....	套環(21-38).....	1
22	07403224	Fixed Ring.....	套環(3/4" S).....	1
23	07403225	Tube.....	風管(小).....	1
24	07404124	Bucket Collector.....	集塵筒.....	1
29	07403230	Relay Line.....	中繼線.....	1
32	07403769	Safety Plate Support.....	護目鏡固定座.....	1
33	07403770	Safety Plate.....	護目鏡片.....	1
34	07403012	Screw(M4-0.7X6).....	螺絲.....	4
35	07403643	Pin.....	插銷.....	1
38	07401560	Clear Pipe (For 02-4LXX).....	吸屑管(段差用).....	1
39	07403779	Bracket C.Set.....	托架組.....	1
42	07401562	Conical Spring Washer.....	錐形彈簧墊圈.....	1
43	07403784	Clear Pipe.....	吸屑管.....	1
44	07201104	Screw(M3-0.5X8).....	螺絲.....	2
45	07403254	Screw(M5-0.8X8).....	螺絲.....	1
46	07404146	Clear Pipe C.Set (For EK).....	吸屑管組(EK專用).....	1
47	07404147	Clear Pipe C.Set (For 02-4LXX).....	吸屑管組(EK段差專用).....	1
48	30000345	Washer.....	墊片.....	2



筒型吸布屑組-EW11(選擇配備)

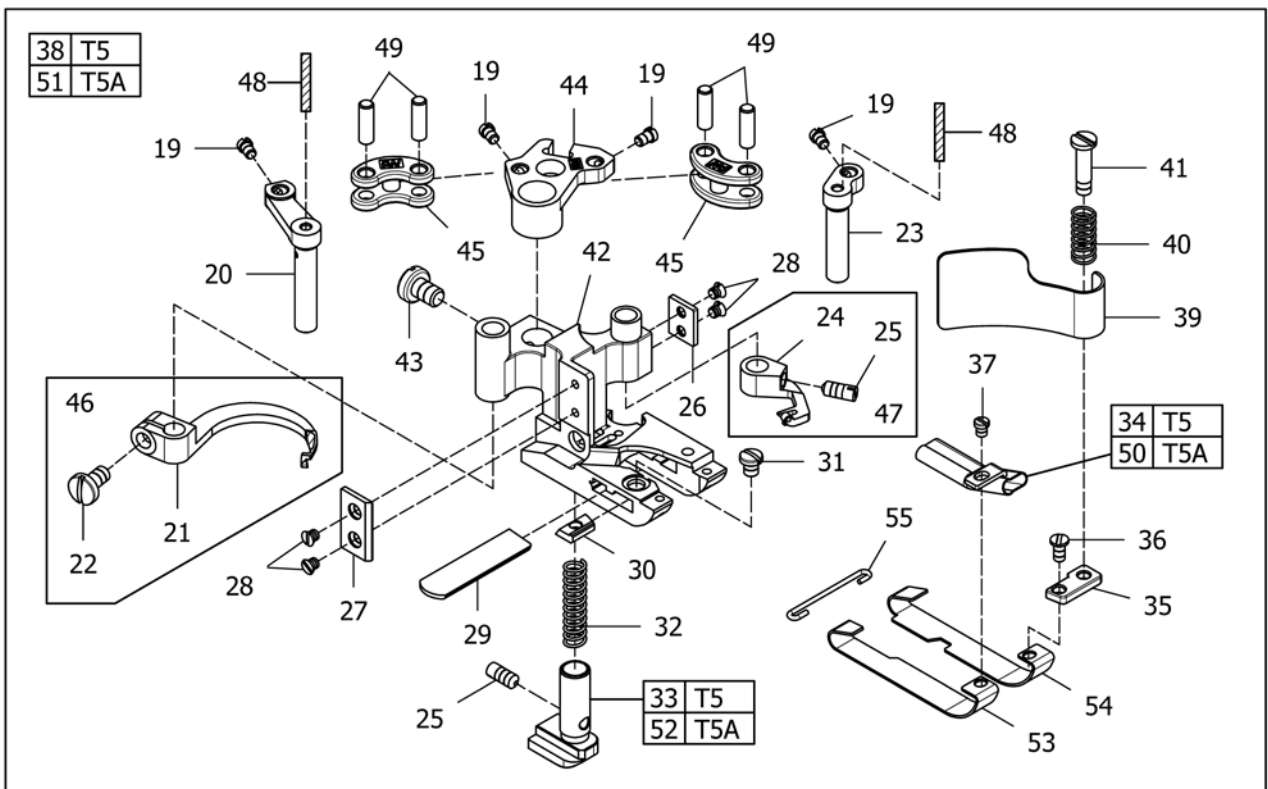
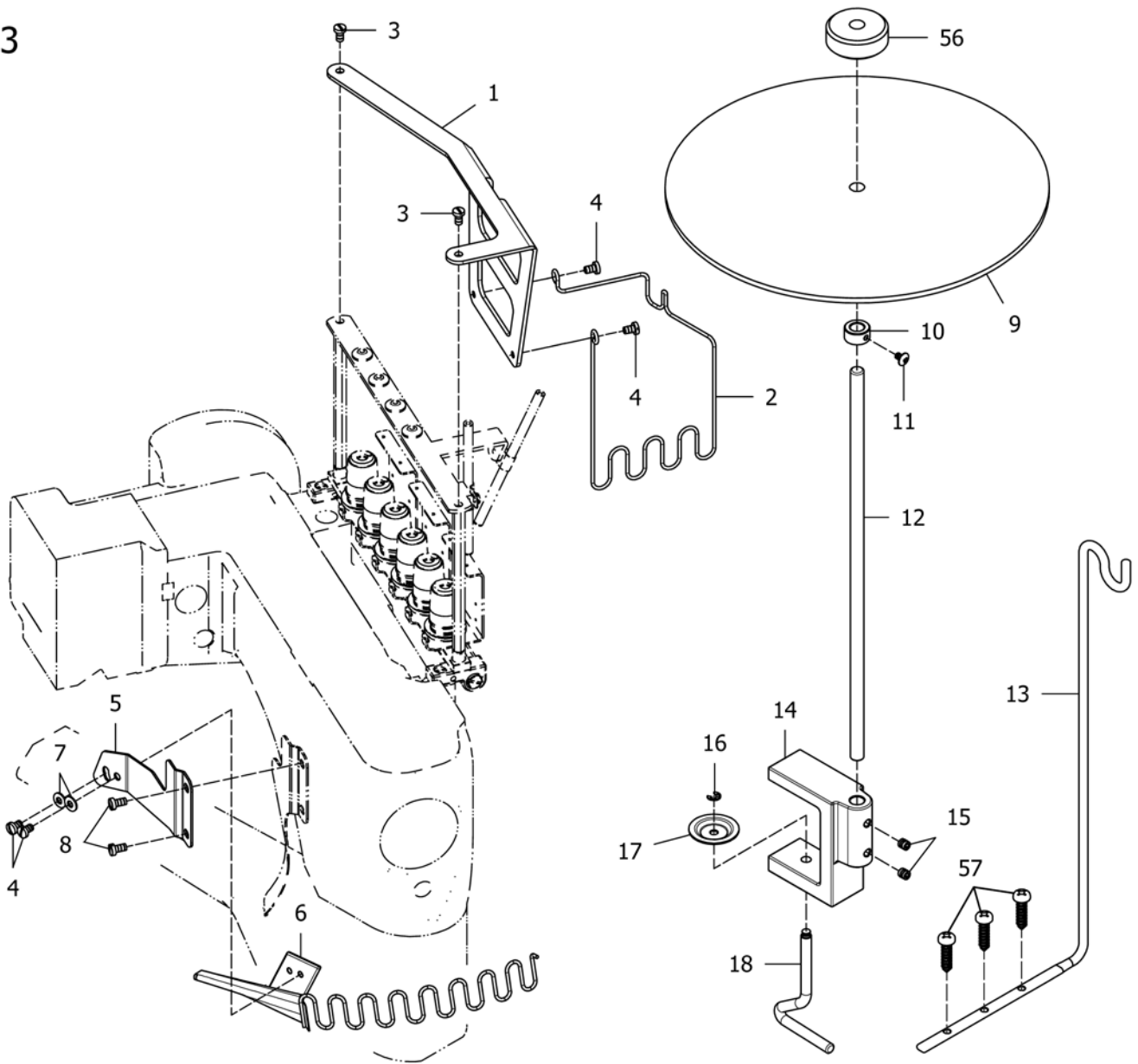
Ref.	Parts			Amt.
<u>No.</u>	<u>No.</u>	<u>Description</u>	<u>品 名</u>	<u>Req.</u>
1	07404201	AW Case C.Set.....	吸風箱組.....	1
2	07404202	Bucket Collector.....	集塵筒.....	1
3	07404203	Connect Tube.....	接管.....	1
4	07401506A	Tube.....	風管.....	1
5	07401517	Fixed Ring.....	套環(21-38).....	2
6	07401626	Screw (M6-1X5).....	螺絲.....	2
7	07401559	Bracket C.Set.....	托架組.....	1
8	07401608	AW Tube System.....	吸風管組.....	1
9	07401527A	Clear Pipe.....	吸屑管(一般用).....	1
10	07401530	Bracket.....	托架.....	1
11	07401531	Washer.....	墊片.....	1
13	07401533	Connecting Rod.....	連桿.....	1
14	07401534	Screw (M5-0.8X16).....	螺絲.....	3
15	07401535	Pin.....	插銷.....	1
16	07401536	Connecting Rod Pin.....	連桿插銷.....	1
17	07804106	Screw (M5-0.8X14).....	螺絲.....	2
18	07401618	Screw (1/8PTX7).....	螺絲.....	1
19	07401547	Washer.....	墊片.....	2
20	07401548	Washer.....	彈簧防振墊片.....	1
21	07401621A	Clear Pipe C.Set.....	吸屑管組.....	1
30	07401560	Clear Pipe (For 02-4LXX).....	吸屑管(段差用).....	1
31	07401639	Clear Pipe C.Set (For 02-4LXX).....	吸屑管組(段差用).....	1
32	07401640	AW Tube System (For 02-4LXX).....	吸風管組(段差用).....	1
33	07401562	Conical Spring Washer.....	錐形彈簧墊圈.....	1



SELECT DEVICE(T5)

Ref.	Parts			Amt.
No.	No.	Description	品 名	Req.
1	07404301	Binding Cloth Guider Holder.....	滾條布導架固定座.....	1
2	07404302	Binding Cloth Guider.....	滾條布導架.....	1
3	07400103	Screw(11/64-40X10.5).....	螺絲.....	2
4	07400109	Screw (11/64-40X6.5).....	螺絲.....	4
5	07404305	Binder Holder.....	喇叭包邊器固定座.....	1
6	07404306	Binder.....	喇叭包邊器.....	1
7	07872903	Wash.....	墊片.....	2
8	07400302	Screw (11/64-40X7.8).....	螺絲.....	2
9	07872706A	Tope Disc.....	布條盤.....	1
10	07404310	Collar	軸環.....	1
11	07404311	Screw (M2.3-0.45X16).....	螺絲.....	1
12	07404312	Tape Disc Post.....	布條盤軸.....	1
13	07404313	Tape Guide.....	織帶導引支架.....	1
14	07872703A	Fixture.....	固定夾架.....	1
15	07872705A	Screw(M6-1×6).....	螺絲.....	2
16	07872701A	Pin.....	插銷.....	1
17	07872702A	Fixed Disc.....	固定圓盤.....	1
18	07872704A	Fixing Lever.....	固定螺桿.....	1
19	07400619	Screw (3/32-56X3.3).....	螺絲.....	4
20	★ 07400620	Thread Hook Driving Lever.....	勾針驅動槓桿.....	1
21	★ 07400621MF	Top Cover Thread Hook.....	上飾線勾針(長).....	1
22	07400622	Screw (9/64-40X6.8).....	螺絲.....	1
23	★ 07400623	Top Cover Thread Carrier Driving Lever.....	上飾線托架驅動槓桿.....	1
24	★ MF	Top Cover Thread Carrier.....	上飾線勾針(短).....	1
25	07400338	Screw (1/8-44X5).....	螺絲.....	2
26	★ 07400626	Presser Foot Attach Piece (Right).....	押腳連接片(右).....	1
27	★ 07400627	Presser Foot Attach Piece (Left).....	押腳連接片(左).....	1
28	07400628	Screw(3/32-56X2.4).....	螺絲.....	5
29	★ 07400629	Lower Knife.....	下切刀片.....	1
30	★ 07400630	Lower Knife Clamp.....	下切刀夾板.....	1
31	07400631	Screw (1/8-44X3.5).....	螺絲.....	1
32	★ 07400632	Yielding Section Spring.....	押具輔助座彈簧.....	1
33	★ 07404333	Yielding Section.....	押具輔助座(T5).....	1
34	07404334	Lap Former Guide.....	導布器(T5).....	1
35	★ 07400649	Spacer.....	墊塊.....	1
36	07400650	Screw (3/32-56X4.8).....	螺絲.....	1
37	07400637	Screw (3/32-56X2.6).....	螺絲.....	1
38	★	Presser Foot C. Set (T5).....	押具組(T5).....	1
39	★ 07400639	Chip Guard.....	切角防護片.....	1

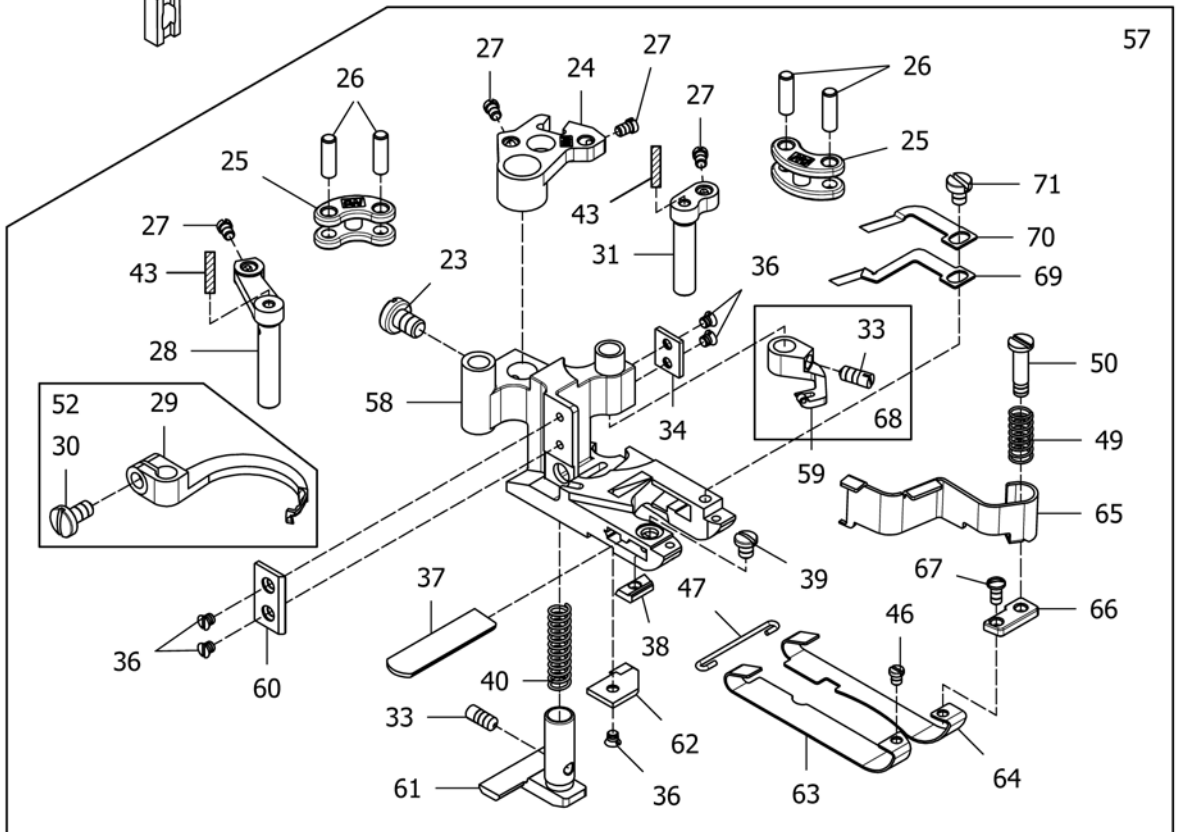
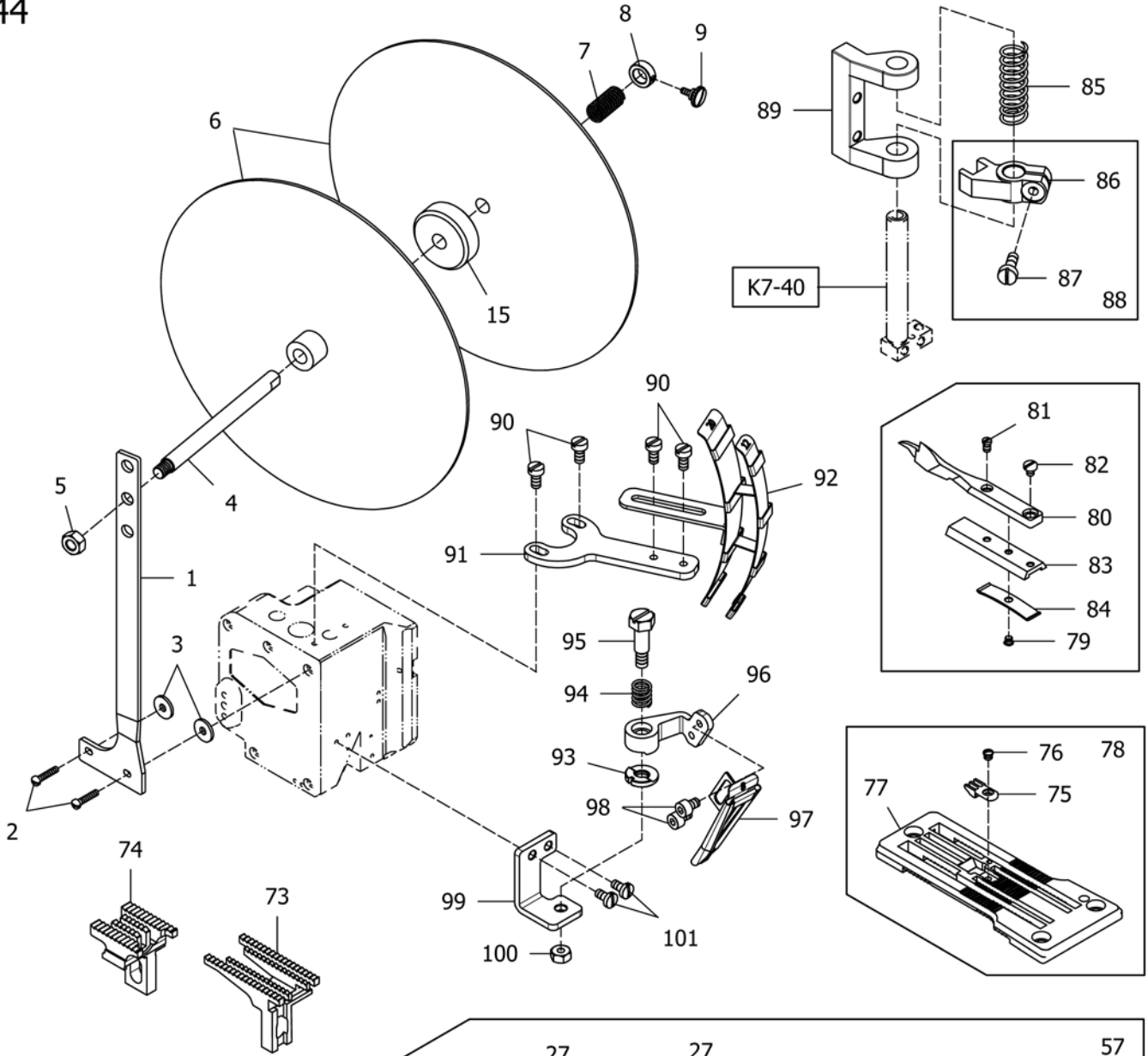
★ 請參照附件1【針距規格表】



SELECT DEVICE(T5)

Ref.	Parts			Amt.
<u>No.</u>	<u>No.</u>	<u>Description</u>	<u>品 名</u>	<u>Req.</u>
40	★ 07400640	Chip Guard Spring.....	切角防護片彈簧.....	1
41	07400641	Screw (1/8-44X3.4).....	螺絲.....	1
42	★	Presser Foot.....	押腳.....	1
43	07400615	Screw (11/64-40X6.3).....	螺絲.....	1
44	★ 07400616	Carrier/Hook Driving Segment.....	上勾針驅動扇形片.....	1
45	★ 07400617	Carrier/Hook Driving Lever Link.....	上勾針驅動連桿.....	2
46	07400646MF	Top Cover Thread Hook C.Set.....	上飾線勾針組(長).....	1
47	07400647MF	Top Cover Thread Carrier C.Set.....	上飾線勾針組(短).....	1
48	★ 07400651	Green Wool.....	綠色毛線.....	2
49	★ 07400618	Link Pin.....	連桿插銷.....	4
50	07404350	Lap Former Guide.....	導布器(T5A).....	1
51	★	Presser Foot C. Set (T5A).....	押具組(T5A).....	1
52	★ 07404352	Yielding Section.....	押具輔助座(T5A).....	1
53	★ 07404353	Presser Foot Spring Plate (Left).....	押具押板(左).....	1
54	★ 07404354	Presser Foot Spring Plate (Right).....	押具押板(右).....	1
55	★ 07400638	Spring Plate Holder.....	彈簧片固定座.....	1
56	07402215	Cushion Block.....	墊塊.....	1
57	07403792	Wood Screw.....	木螺絲.....	3

★ 請參照附件1【針距規格表】



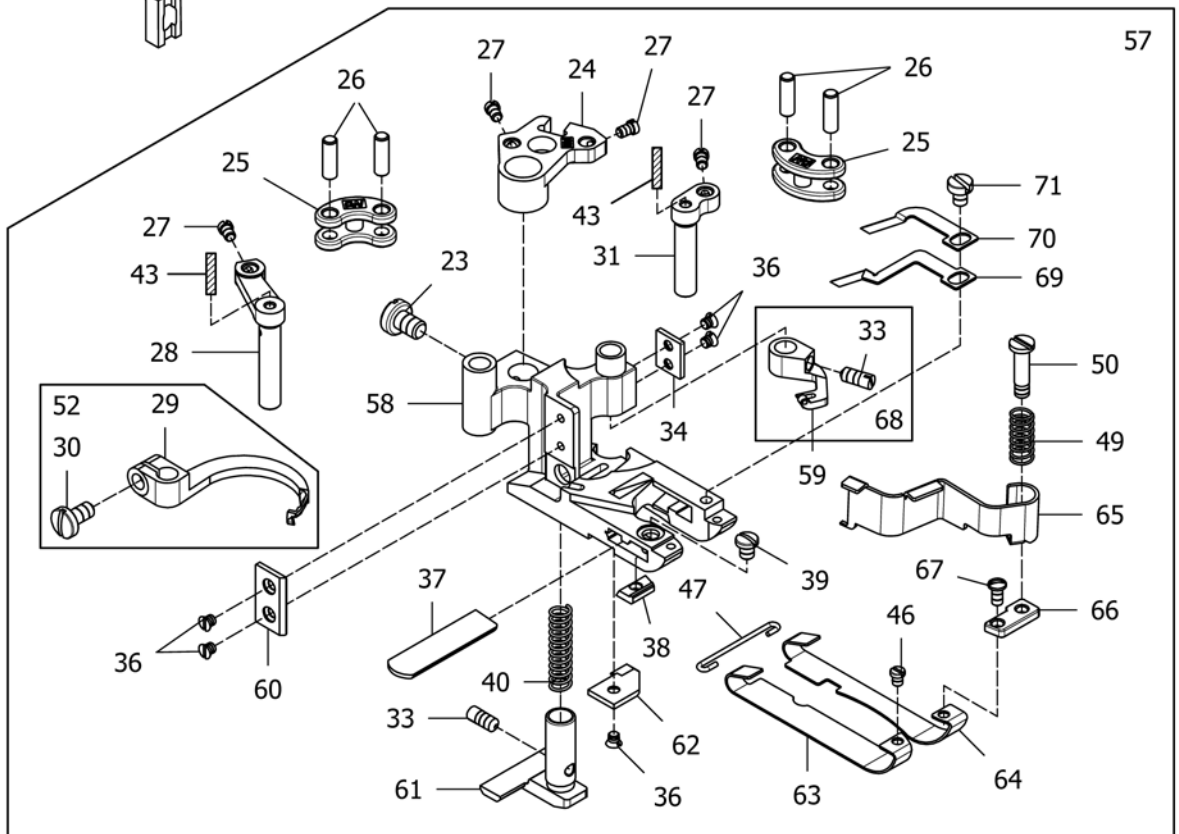
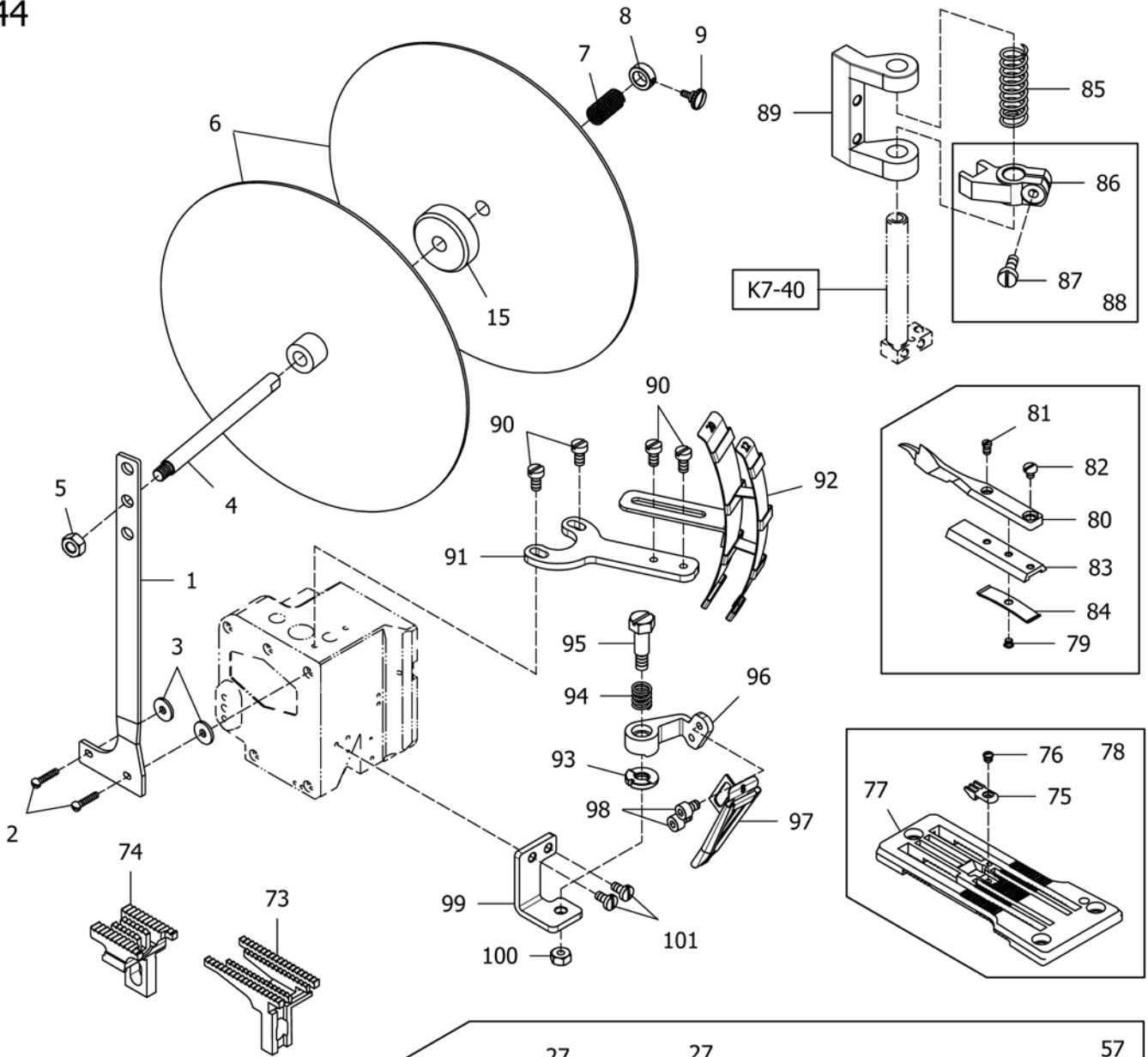
SELECT DEVICE(02-T2A)

選擇配備(02-T2A)-貼條

44

Ref.	Parts			Amt.
No.	No.	Description	品 名	Req.
1	07404401	Tape Reel Support.....	貼條架.....	1
2	07402202	Screw(9/64-40X17).....	螺絲.....	2
3	07402203	Rubber Cushion.....	橡膠墊片.....	2
4	07402204	Tape Reel Shaft.....	貼條主軸.....	1
5	07402205	Nut.....	螺帽.....	1
6	07402206	Tape Reel.....	貼條盤.....	2
7	07402207	Tape Reel Spring.....	彈簧.....	1
8	07402208	Collar(10X16X6mm).....	軸環.....	1
9	07402209	Screw(9/64-40X7.9).....	螺絲.....	1
15	07402215	Cushion Block.....	墊塊.....	1
23	07400615	Screw (11/64-40X6.3).....	螺絲.....	1
24	★ 07400616	Carrier/Hook Driving Segment.....	上勾針驅動扇形片.....	1
25	★ 07400617	Carrier/Hook Driving Lever Link.....	上勾針驅動連桿.....	2
26	★ 07400618	Link Pin.....	連桿插銷.....	4
27	07400619	Screw (3/32-56X3.3).....	螺絲.....	4
28	★ 07400620	Thread Hook Driving Lever.....	勾針驅動槓桿.....	1
29	★ 07400621MF	Top Cover Thread Hook.....	上飾線勾針(長).....	1
30	07400622	Screw (9/64-40X6.8).....	螺絲.....	1
31	★ 07400623	Top Cover Thread Carrier Driving Lever.....	上飾線托架驅動槓桿.....	1
33	07400338	Screw (1/8-44X5).....	螺絲.....	2
34	★ 07400626	Presser Foot Attach Piece (Right).....	押腳連接片(右).....	1
36	07400628	Screw(3/32-56X2.4).....	螺絲.....	5
37	★ 07400629	Lower Knife.....	下切刀片.....	1
38	★ 07400630	Lower Knife Clamp.....	下切刀夾板.....	1
39	07400631	Screw (1/8-44X3.5).....	螺絲.....	1
40	★ 07400632	Yielding Section Spring.....	押具輔助座彈簧.....	1
43	★ 07400651	Green Wool.....	綠色毛線.....	2
46	07400637	Screw (3/32-56X2.6).....	螺絲.....	2
47	★ 07400638	Spring Plate Holder.....	彈簧片固定座.....	1
49	★ 07400640	Chip Guard Spring.....	切角防護片彈簧.....	1
50	07400641	Screw (1/8-44X3.4).....	螺絲.....	1
52	07400646MF	Top Cover Thread Hook C.Set.....	上飾線勾針組(長).....	1
57	★	Double Side Cut Presser Foot C. Set.....	雙切押具組.....	1
58	★	Double Side Cut Presser Foot.....	雙切押腳.....	1
59	★ 07400624MF	Top Cover Thread Carrier.....	上飾線勾針(短).....	1
60	★ 07403515	Presser Foot Attach Piece (Left).....	押腳連接片(左).....	1

★ 請參照附件1【針距規格表】

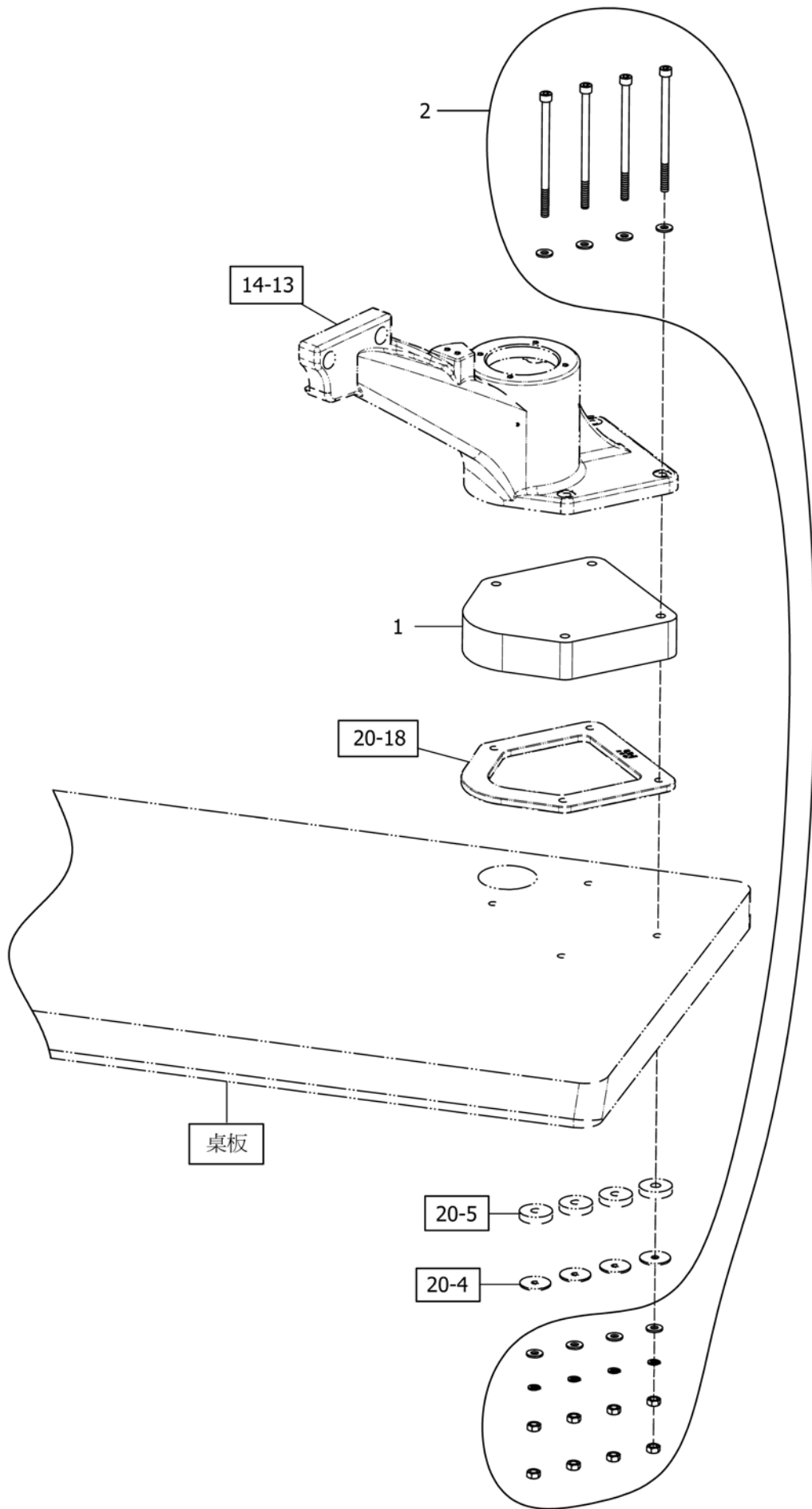


SELECT DEVICE(02-T2A)

選擇配備(02-T2A)-貼條

Ref.	Parts			Amt.
No.	No.	Description	品名	Req.
61	★ 07401821	Yielding Section.....	押具輔助座.....	1
62	★ 07404462	Presser Foot Tongue.....	導布板.....	1
63	★ 07404463	Presser Foot Spring Plate (Left).....	押具押板(左).....	1
64	★ 07404464	Presser Foot Spring Plate (Right).....	押具押板(右).....	1
65	★ 07404465	Chip Guard.....	切角防護片.....	1
66	★ 07400649	Spacer.....	墊塊.....	1
67	07400650	Screw (3/32-56X4.8).....	螺絲.....	1
68	07400647MF	Top Cover Thread Carrier C.Set.....	上飾線勾針組(短).....	1
69	07404469	Fabric Guide (Right).....	導引(右).....	1
70	07404470	Fabric Guide (Left).....	導引(左).....	1
71	07400366	Screw (1/8-44X5.6).....	螺絲.....	2
73	★ 07404473	Differential Feed Dog.....	前送齒.....	1
74	★ 07401841	Main Feed Dog.....	單切後送齒.....	1
75	★	Stitch Plate Tongue.....	針板舌.....	1
76	07400547	Screw (3/32-56X2).....	螺絲.....	1
77	★	Stitch Plate.....	單切針板.....	1
78	07404478	Stitch Plate C.Set.....	針板組.....	1
79	07401823	Screw (3/32-56X2).....	螺絲.....	1
80	07401831	Lap Former Guide.....	導布器.....	1
81	07401832	Screw (3/32-56X3.5).....	螺絲.....	1
82	07401833	Screw (3/32-56X3.9).....	螺絲.....	1
83	07403534	Lap Former Guide Support.....	導布器座.....	1
84	07401835	Lap Former Guide Spring.....	導布器彈簧片.....	1
85	07400772	Knife Holder Spring.....	上切刀固定座彈簧.....	1
86	07403538	Knife Holder Guide Collar.....	刀台襯套.....	1
87	07400739	Screw (9/64-40X9).....	螺絲.....	1
88	07403564	Knife Holder Guide Collar C.Set.....	刀台襯套組.....	1
89	07403541	Knife Holder Shank Support.....	上切刀固定座支架.....	1
90	07400168	Screw (M4-0.7X8).....	螺絲.....	2
91	07404491	Tape Control Bracket.....	貼條控制架.....	1
92	07404492	Tape Holder.....	貼條固定座.....	1
93	07400182	Binder Washer.....	喇叭固定墊片.....	1
94	07400183	Binder Spring.....	喇叭彈簧.....	1
95	07400184	Screw (M5-0.8×8.5).....	螺絲.....	1
96	07404496	Binder Mount.....	喇叭托架·包邊器托架.....	1
97	07404497	Binder.....	喇叭·包邊器.....	1
98	07870913	Screw (M4-0.7×6).....	螺絲.....	2
99	07404499	Frame Chip Guard Bracket.....	導布蓋支架.....	1
100	07871028	Nut.....	螺帽.....	1
101	07400150	Screw (9/64-40X7).....	螺絲.....	2

★ 請參照附件1【針距規格表】



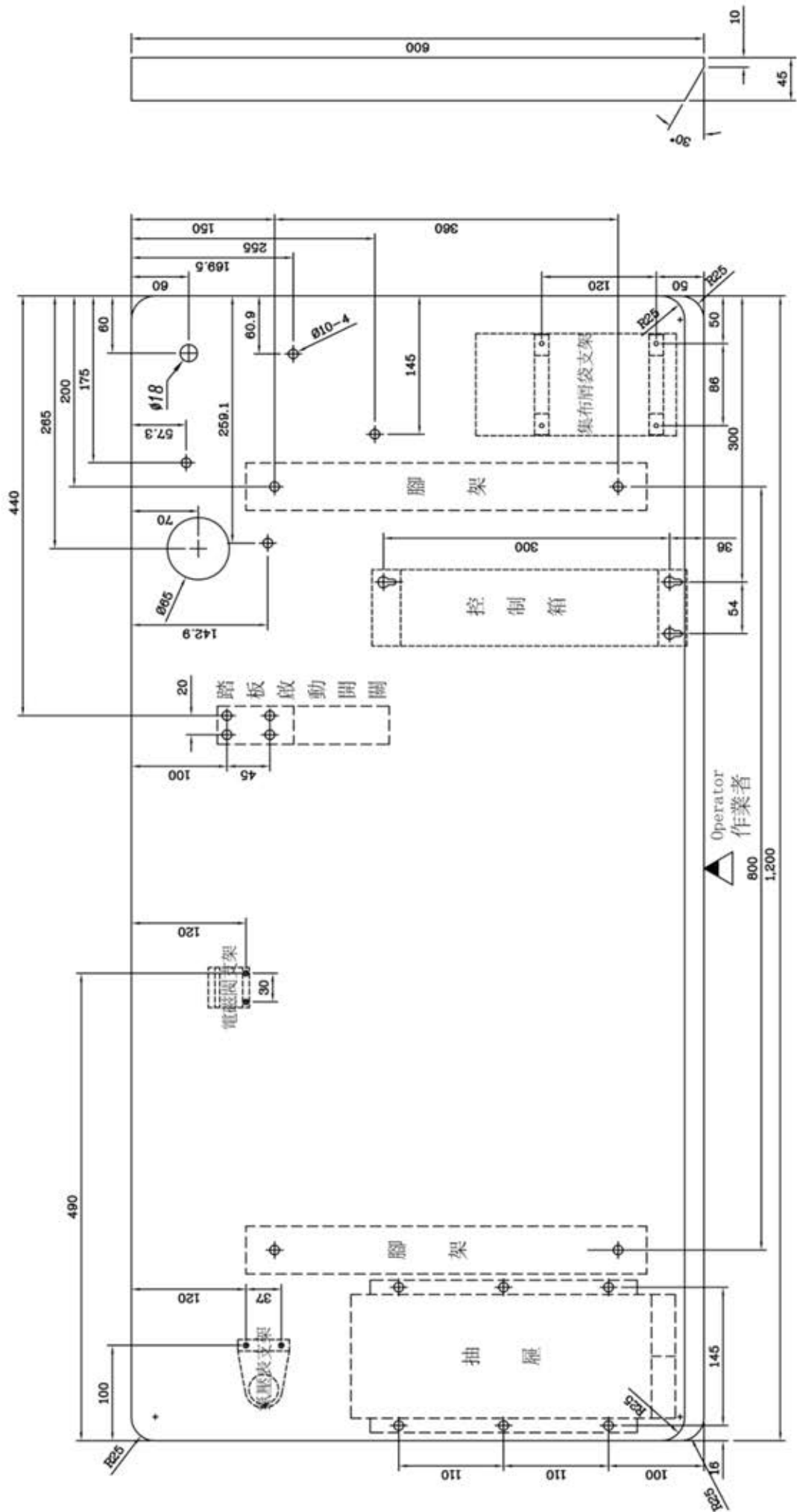
SELECT DEVICE (Motor Support)

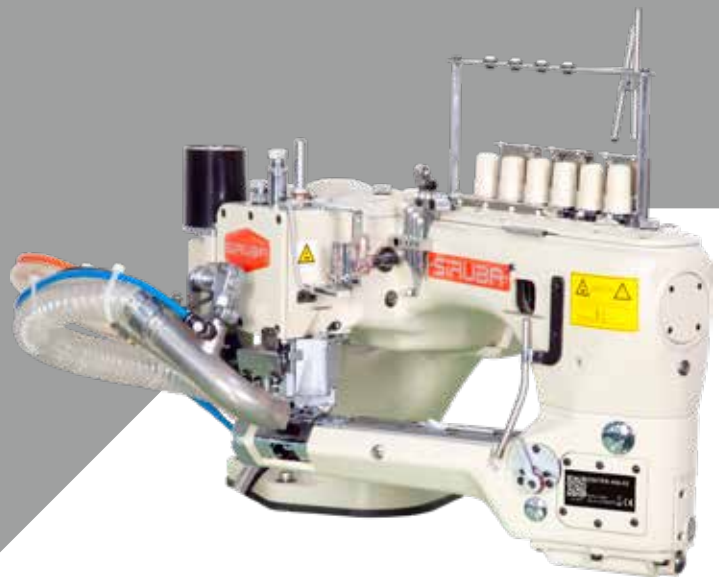
底座增高選配件 **45**

<u>Ref.</u>	<u>Parts</u>			<u>Amt.</u>
<u>No.</u>	<u>No.</u>	<u>Description</u>	<u>品 名</u>	<u>Req.</u>
1	07404501	Motor Support.....	底座增高板.....	1
2	07404502	Screw C. Set.....	螺絲組.....	1

技術通報

〈平面式桌板・車架及相關配件安裝位置示意圖〉





高林股份有限公司
KAULIN MFG. CO., LTD.

由於對產品的改良及更新，本產品使用說明書中與零件圖之產品及外觀的修改恕不事先通知！
The specification and/or appearances of the equipment described in this instruction book & parts list are subject to change because of modification which will without previous notice.
SR-06H01.SEP.2024