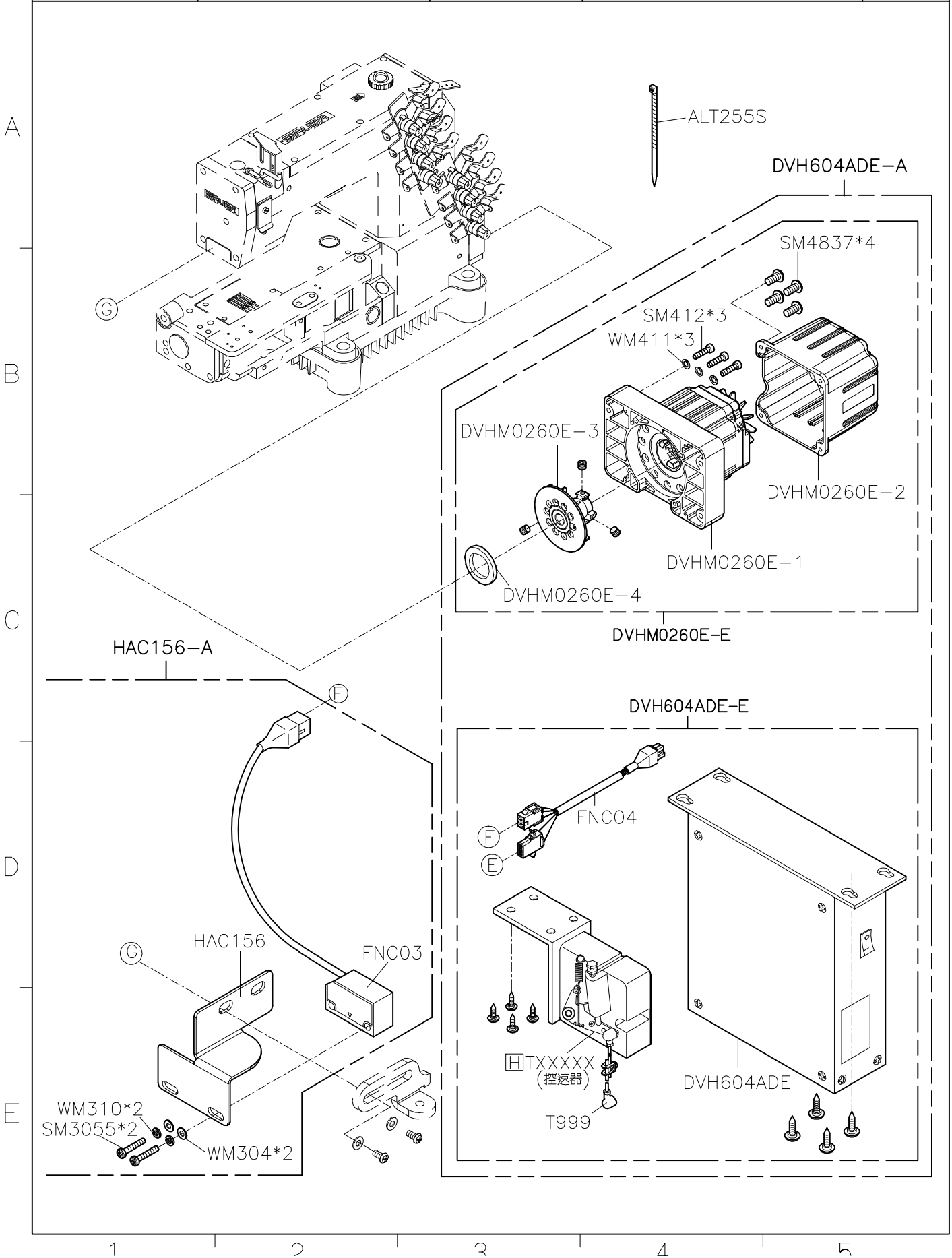
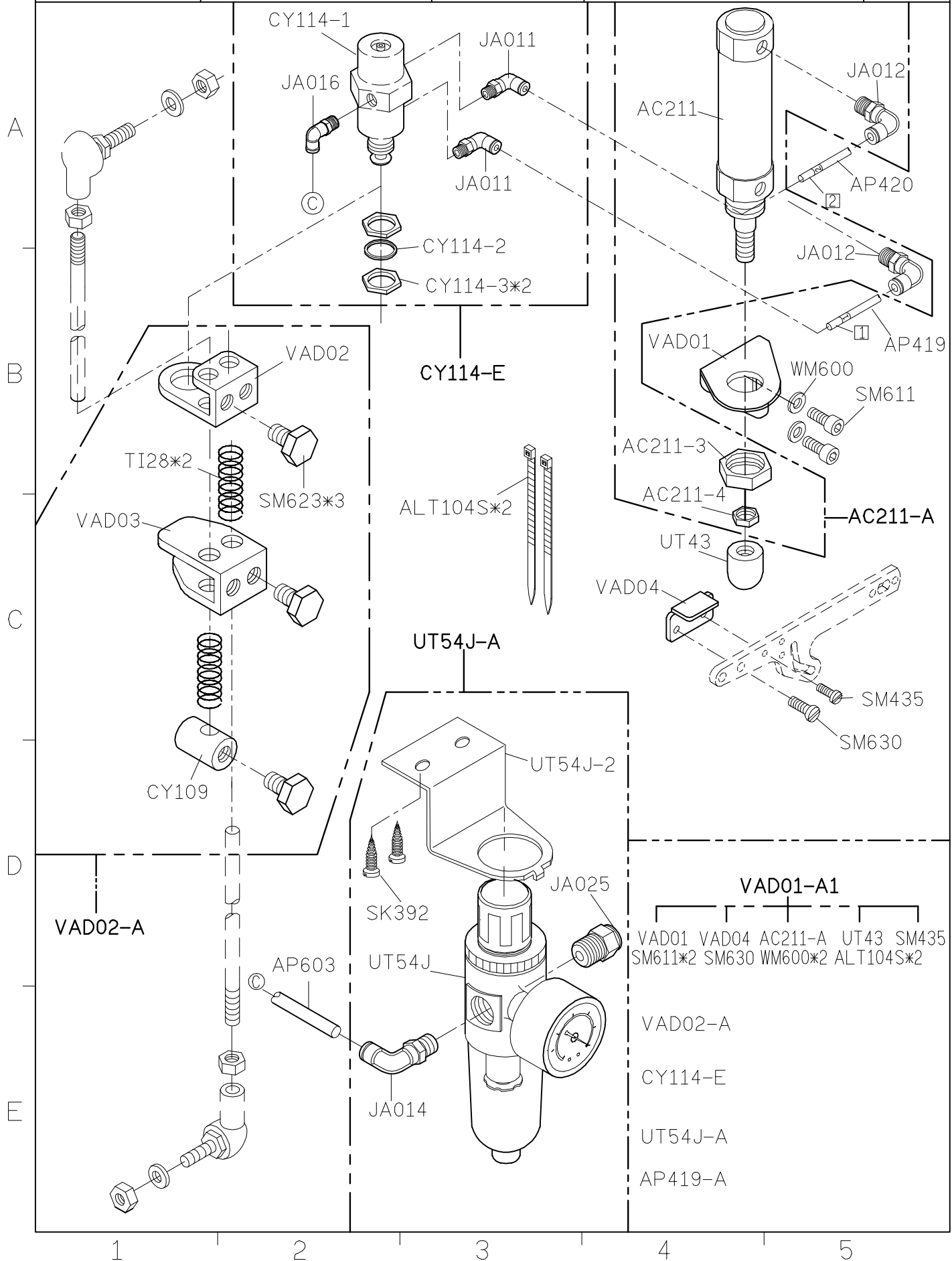


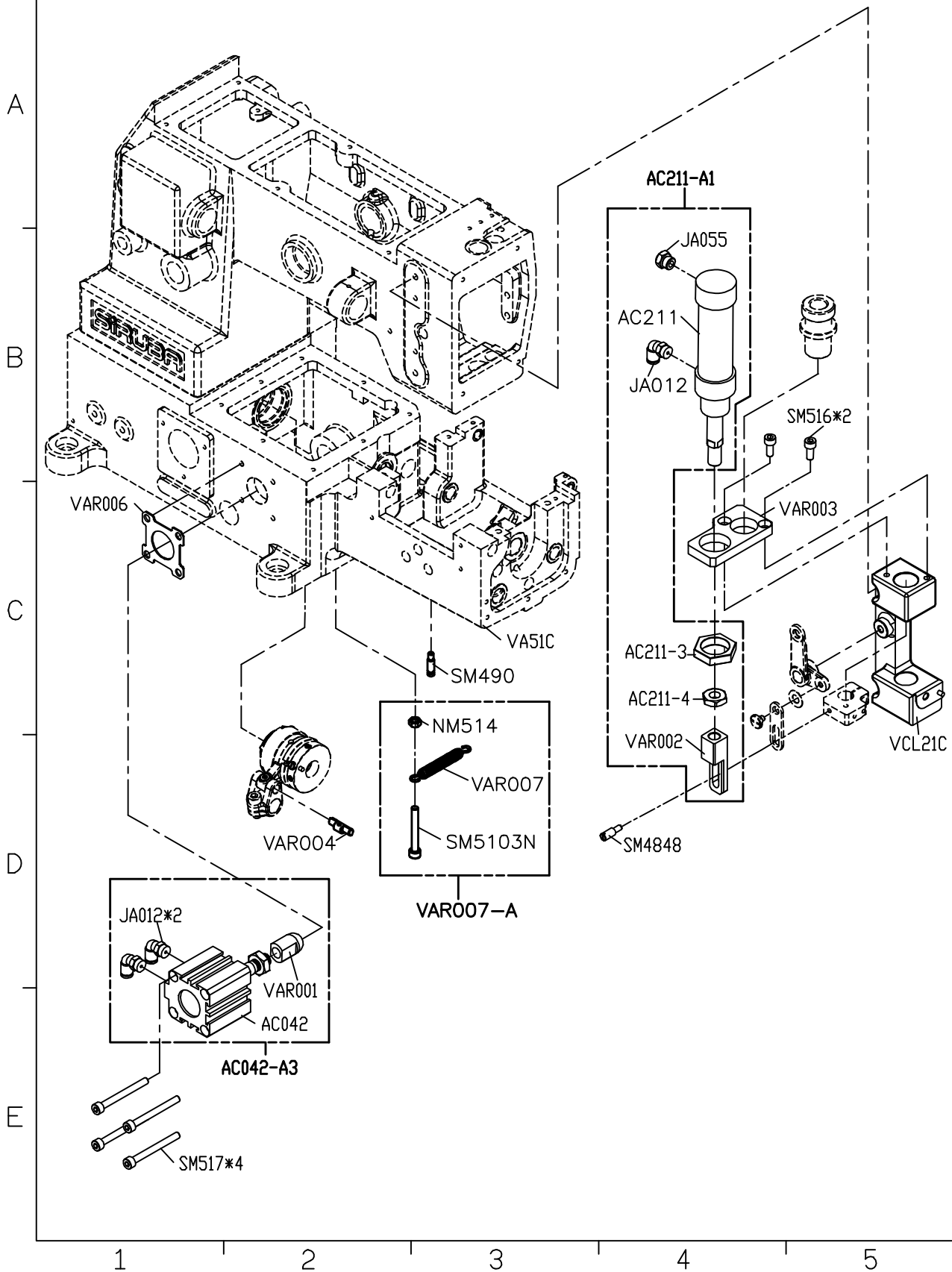
SIRUBA PARTS LIST	Series	Parts Group	Subclass / Remark	Page
	VC008	HAC	With Direct-Drive Motor	3/3
				Date
				2021/12/09



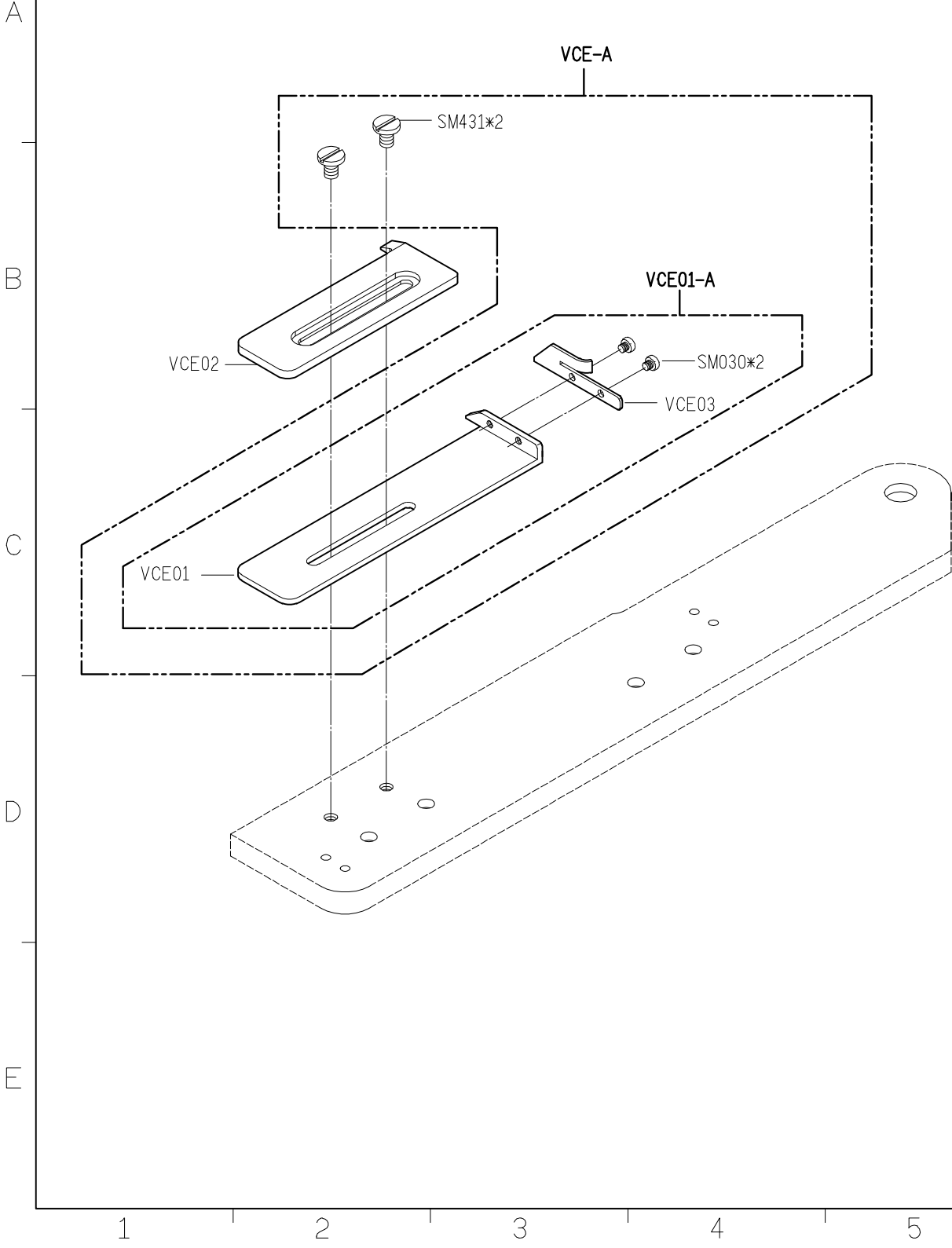
SIRUBA PARTS LIST	Series	Parts Group	Subclass / Remark	Page
	VC008	VAD		1/1
				Date
				2012/08/24



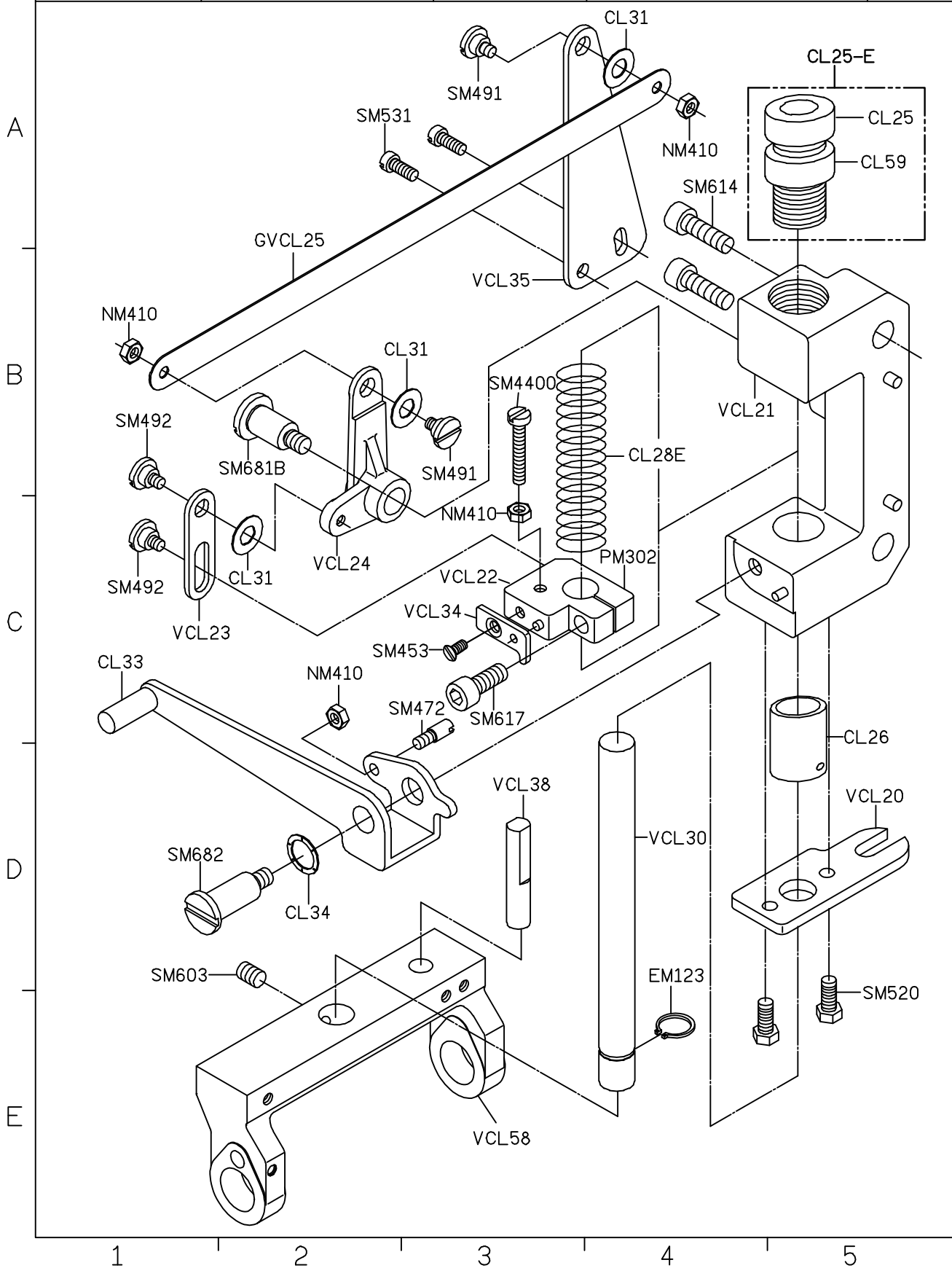
SIRUBA PARTS LIST	Series	Parts Group	Subclass / Remark	Page
	VC008	VAR		1/1
				Date
				2023/12/05



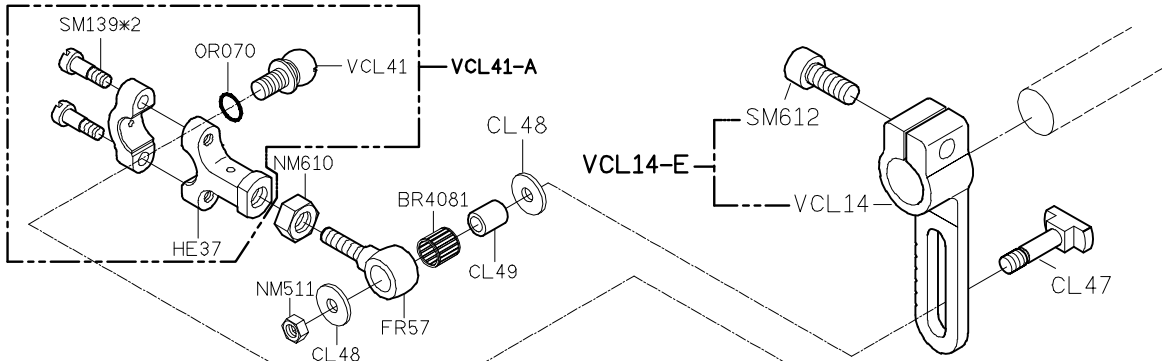
<b>SIRUBA</b> PARTS LIST	Series	Parts Group	Subclass / Remark	Page
	<b>VC008</b>	<b>VCE</b>		1/1
				Date
				2012/08/24



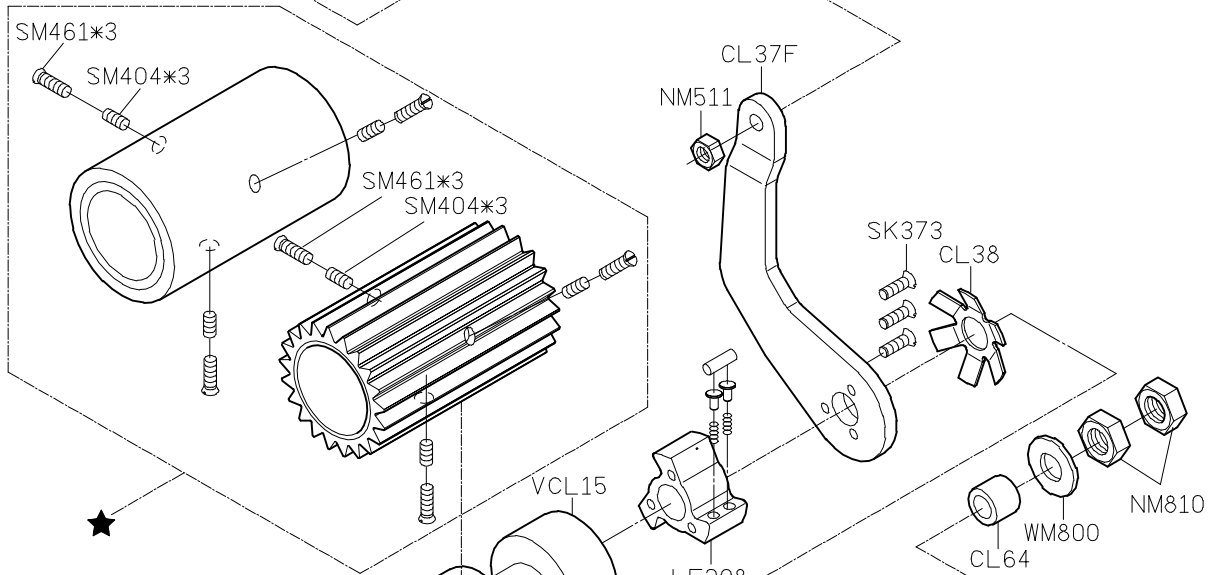




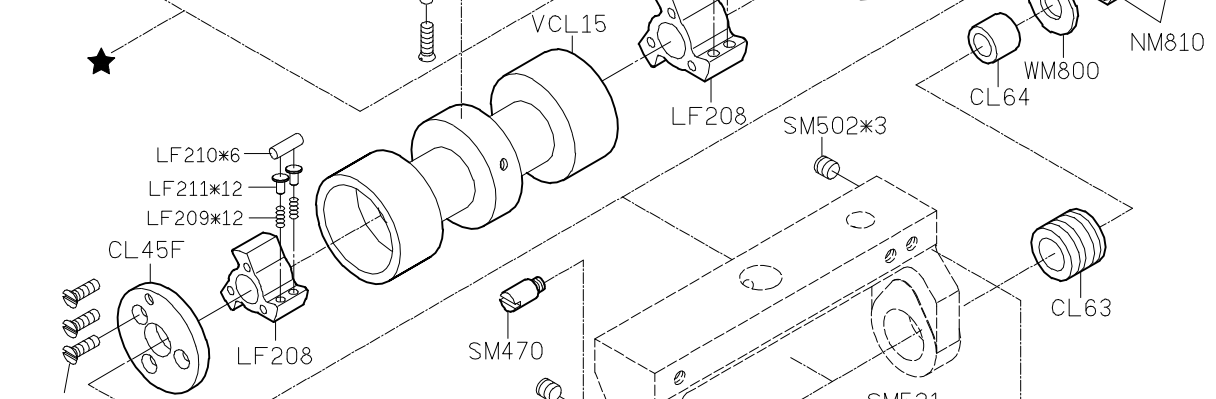
A



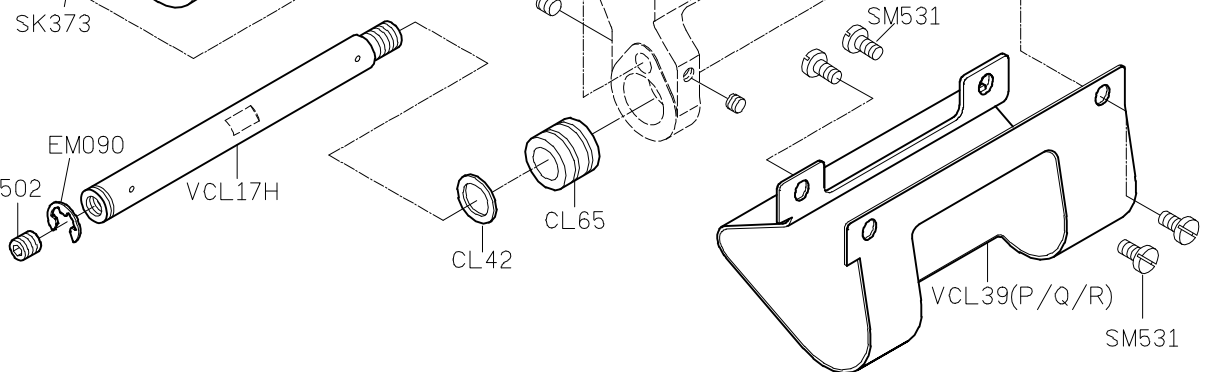
B



C



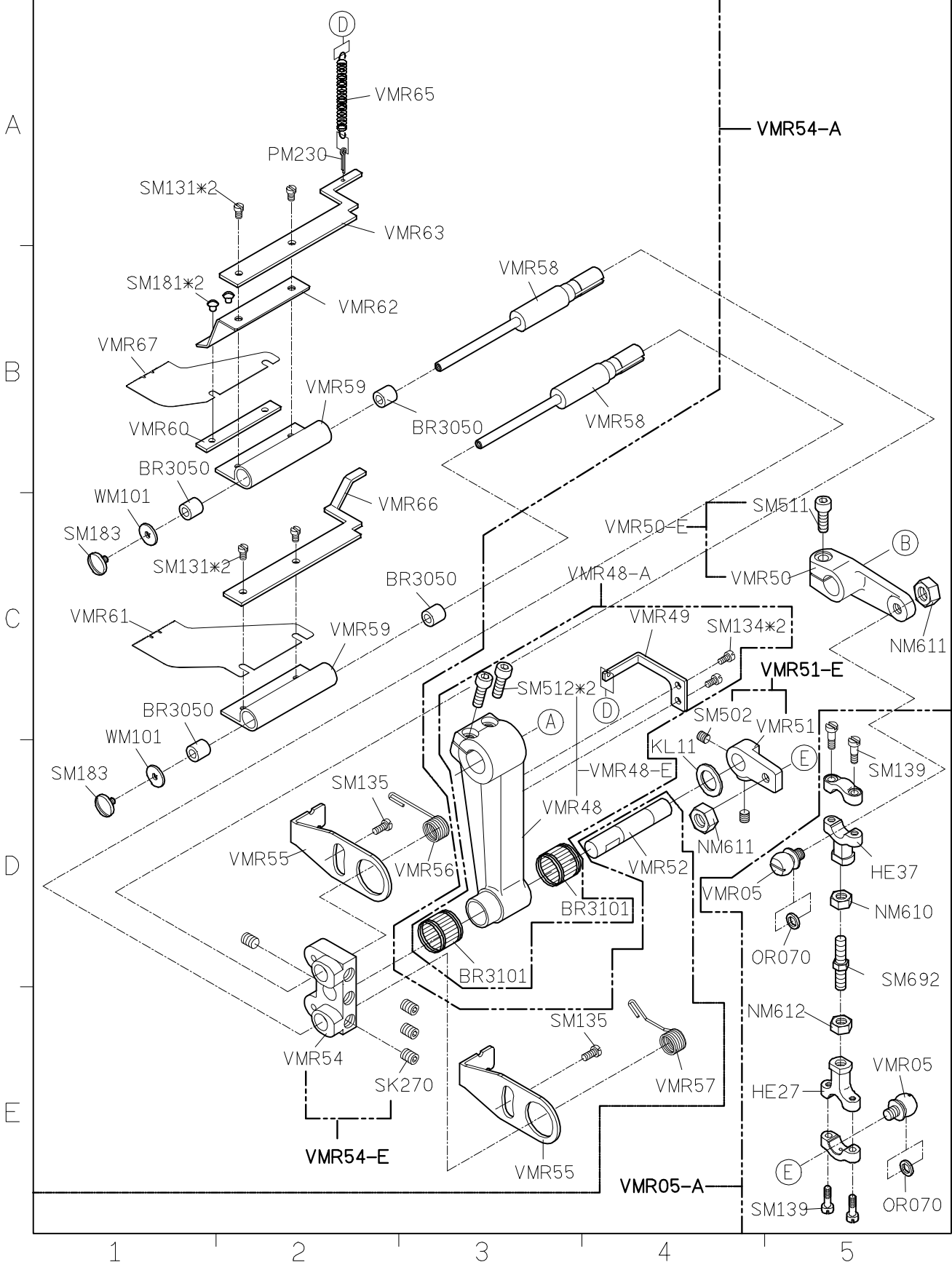
D



E



<b>SIRUBA</b> <b>PARTS LIST</b>	<b>Series</b>	<b>Parts Group</b>	<b>Subclass / Remark</b>	<b>Page</b>
	<b>VC008</b>	<b>VMR</b>		<b>2/5</b>
				<b>Date</b>
				<b>2012/03/25</b>



Ⓐ + VJ05-1 = VMR27-A

VMR VJ  
P.3/5

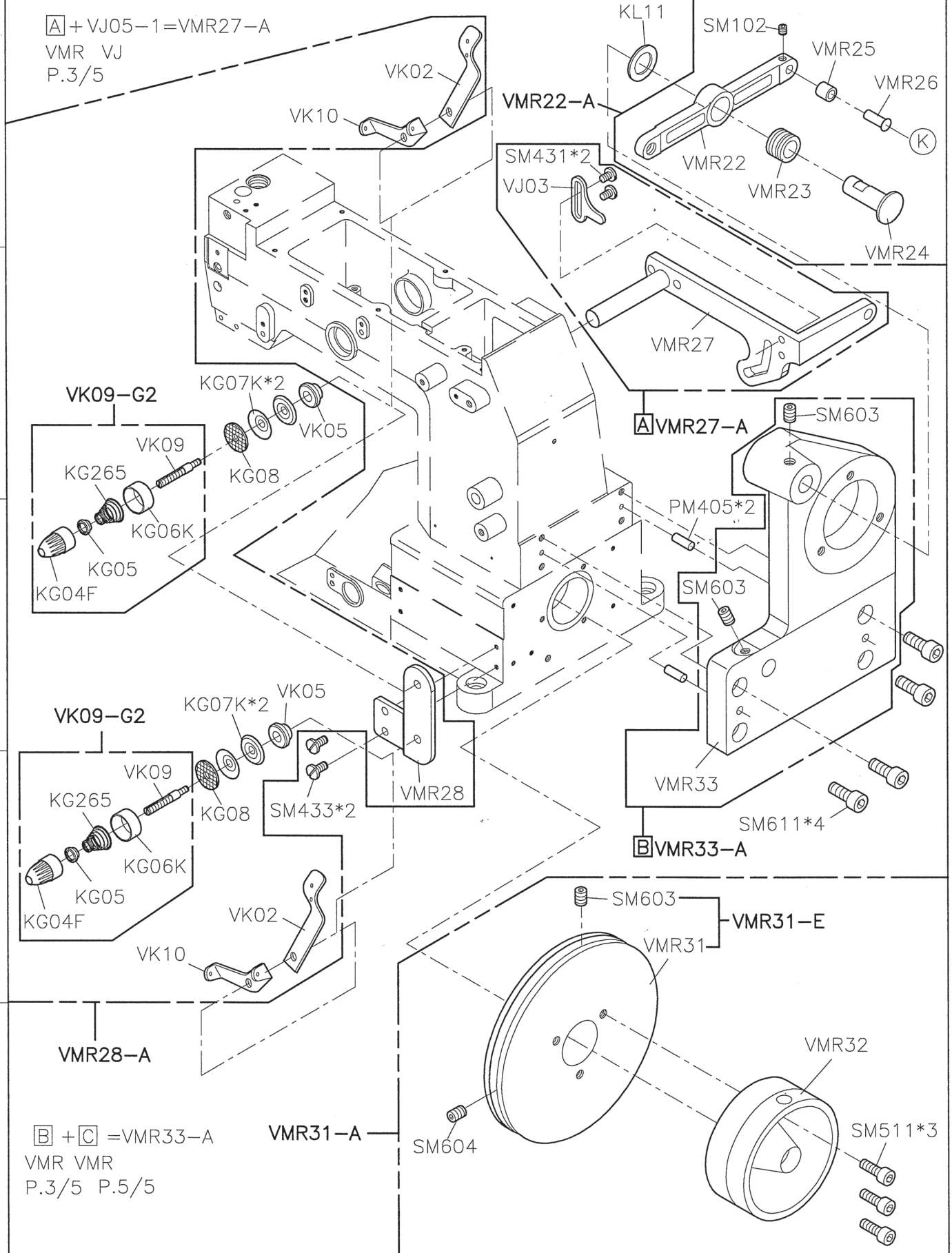
A

B

C

D

E



VMR28-A

Ⓑ + Ⓒ = VMR33-A  
VMR VMR  
P.3/5 P.5/5

VMR31-A

1

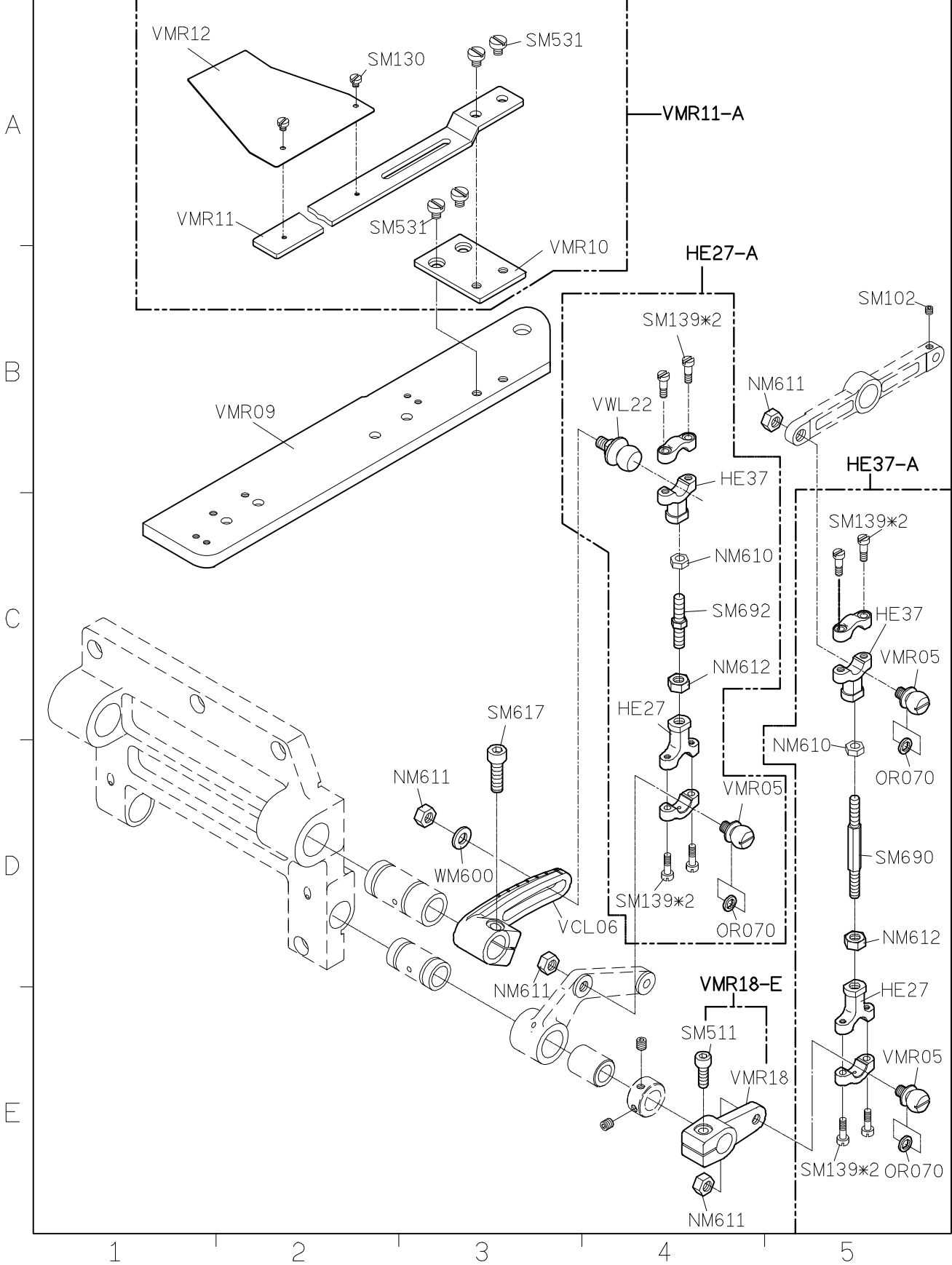
2

3

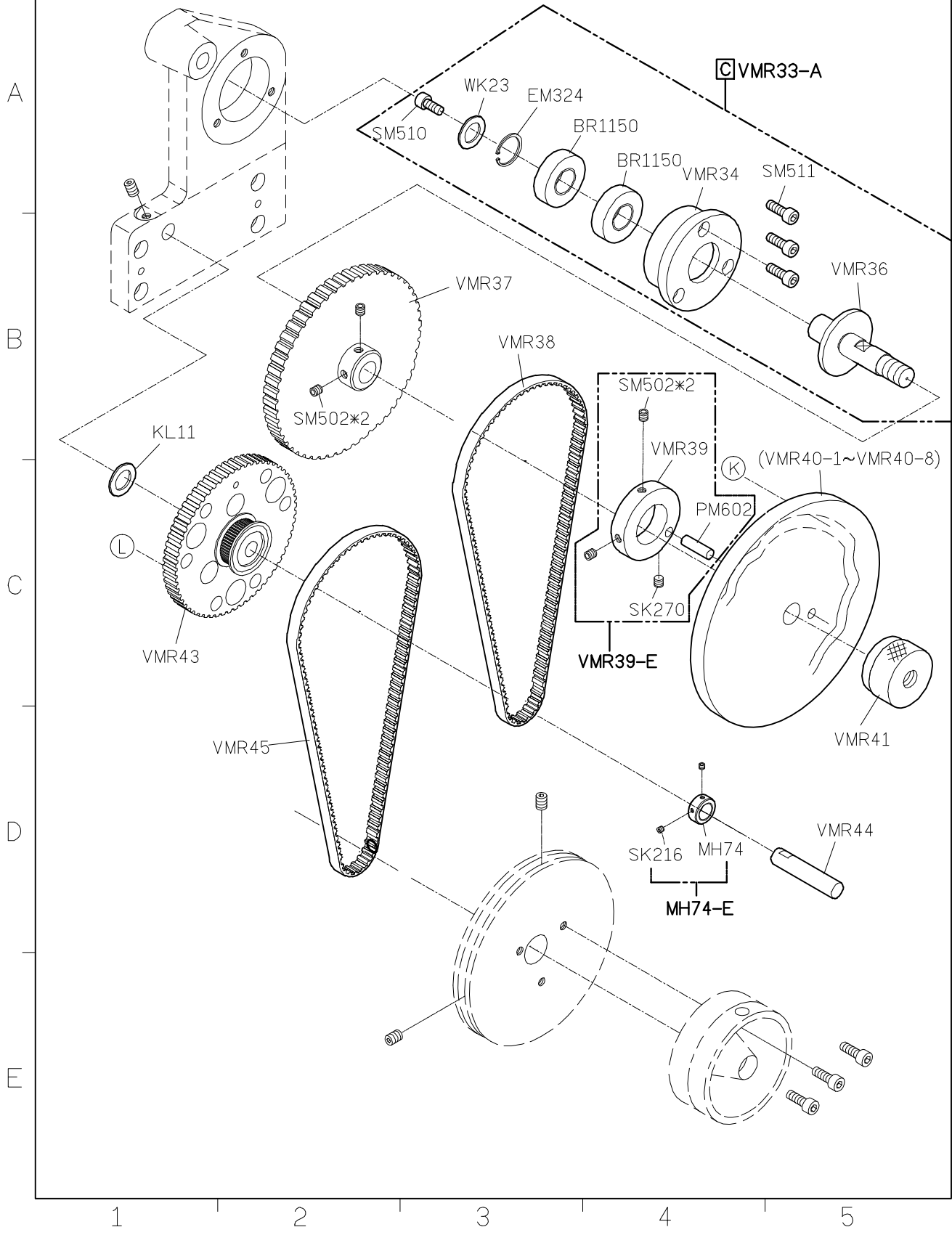
4

5

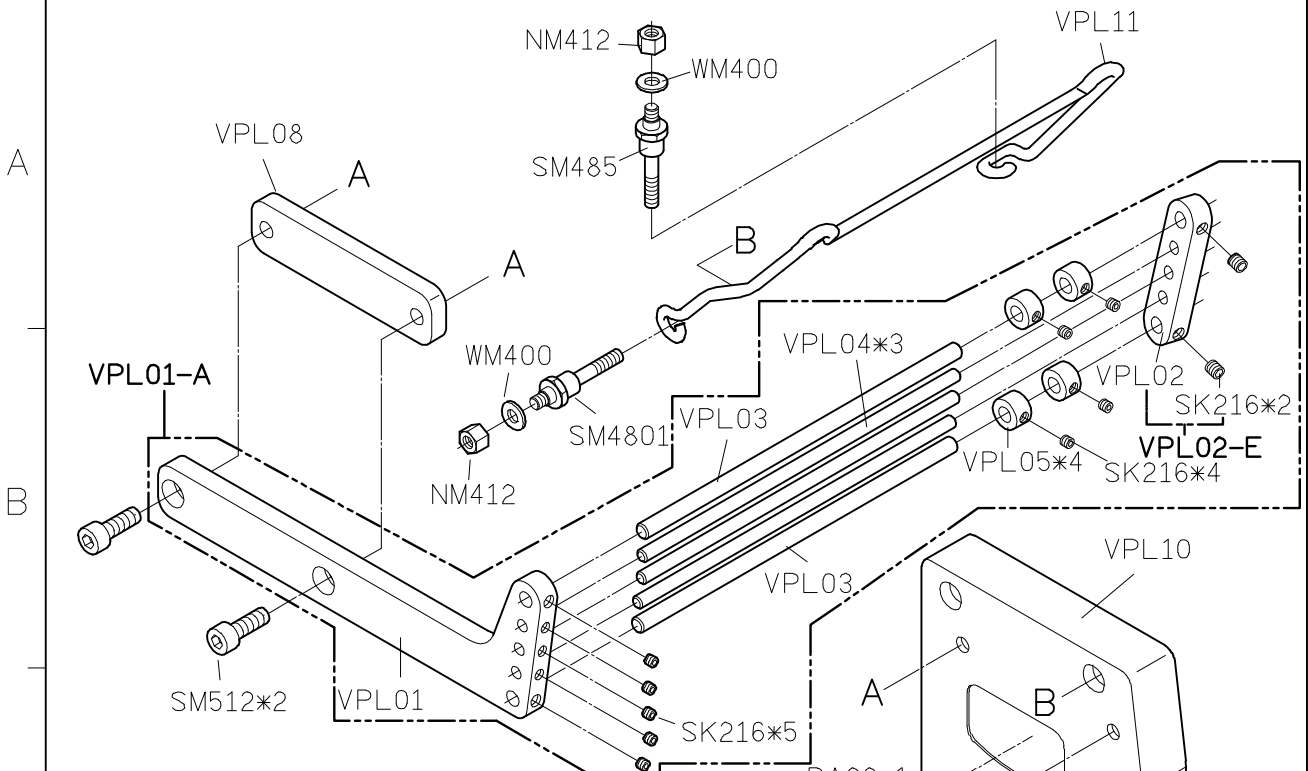
<b>SIRUBA</b> <b>PARTS LIST</b>	<b>Series</b>	<b>Parts Group</b>	<b>Subclass / Remark</b>	<b>Page</b>
	<b>VC008</b>	<b>VMR</b>		<b>4/5</b>
				<b>Date</b>
				<b>2012/03/25</b>



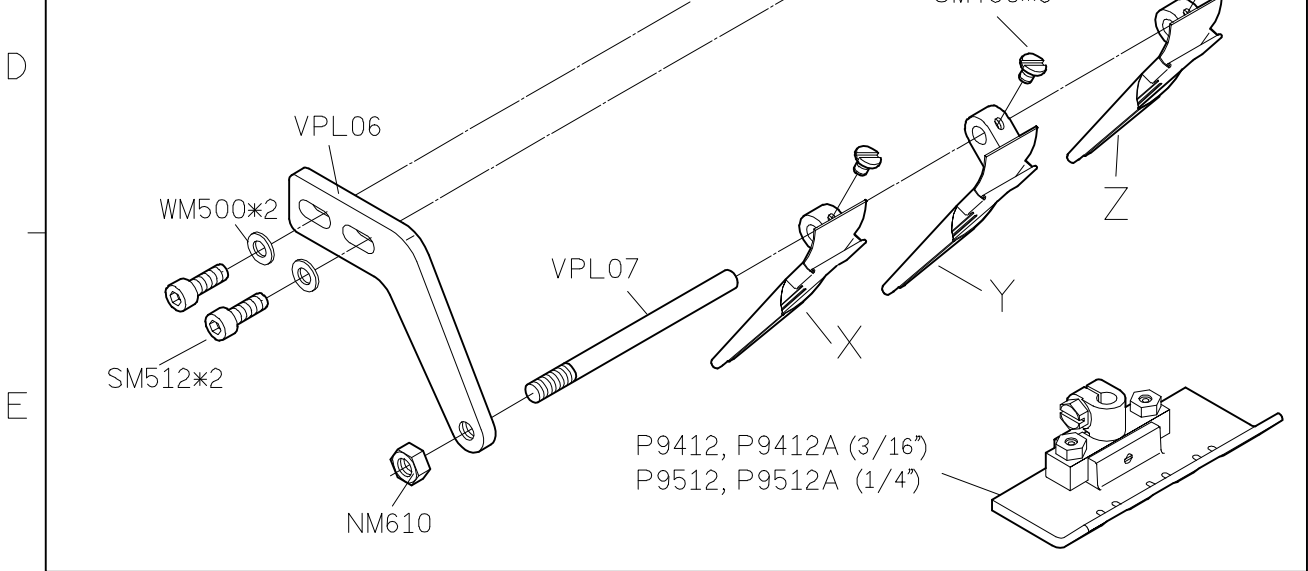
SIRUBA PARTS LIST	Series	Parts Group	Subclass / Remark	Page
	VC008	VMR		5/5
				Date
				2012/09/25



<b>SIRUBA</b> PARTS LIST	<b>Series</b>	<b>Parts Group</b>	<b>Subclass / Remark</b>	<b>Page</b>
	<b>VC008</b>	<b>VPL</b>		1/1
				<b>Date</b>
				2012/08/24



機型 Model	完成尺寸 Finished Size	X	Y	Z	針寬 Needle Holder	壓具 Presser Foot
VC008-06048	8	B417P	B417AP	B417P	3/16"	P9412DA
	9	B417Q	B417AQ	B417Q		P9412D
VC008-06064	10	B417R	B417AR	B417R	1/4"	P9512DA
	12	B417S	B417AS	B417S		P9512D
	16	B417U	B417AU	B417U		P9512B
VC008-12064	16	B417U	B417AU	B417U	1/4"	P9712D

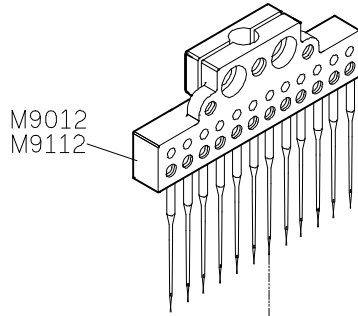


1 2 3 4 5

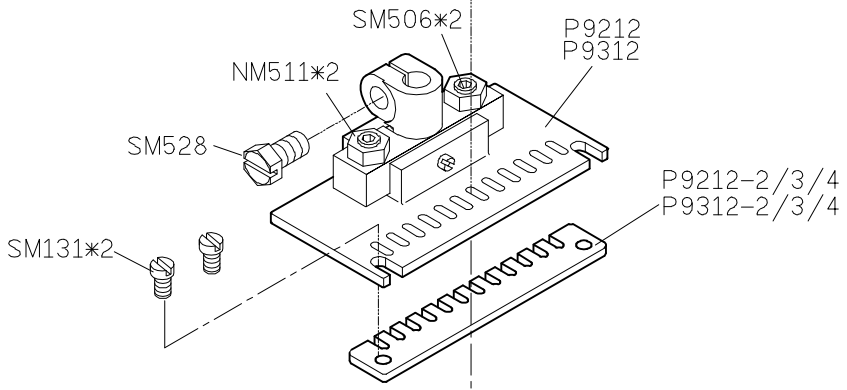
P9412, P9412A (3/16")  
P9512, P9512A (1/4")

<b>SIRUBA</b> PARTS LIST	<b>Series</b>	<b>Parts Group</b>	<b>Subclass / Remark</b>	<b>Page</b>
	<b>VC008</b>	<b>VPQ</b>		1/2
				<b>Date</b>
				2012/08/24

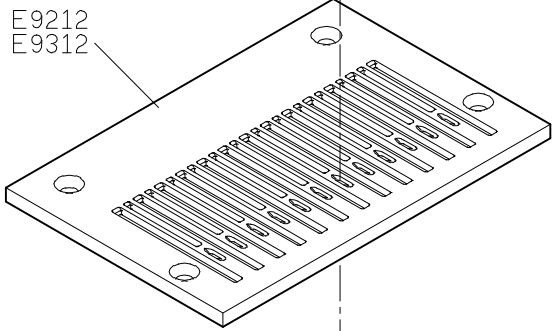
A



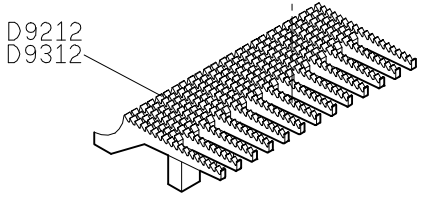
B



C



D



E

1

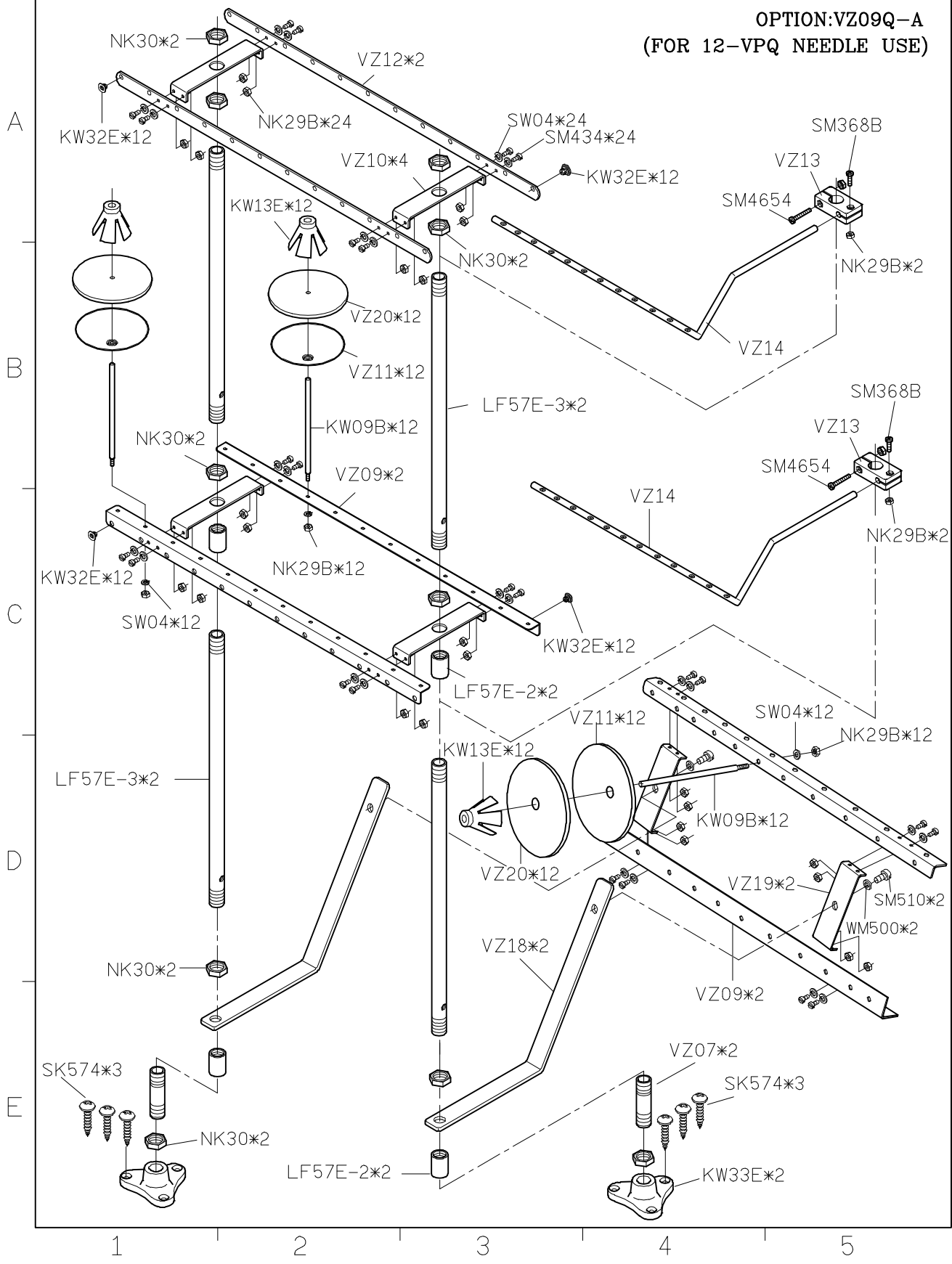
2

3

4

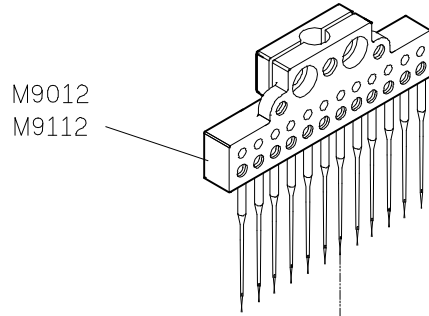
5

<b>SIRUBA</b> <b>PARTS LIST</b>	<b>Series</b>	<b>Parts Group</b>	<b>Subclass / Remark</b>	<b>Page</b>
	<b>VC008</b>	<b>VPQ</b>		<b>2/2</b>
				<b>Date</b>
				<b>2012/08/24</b>

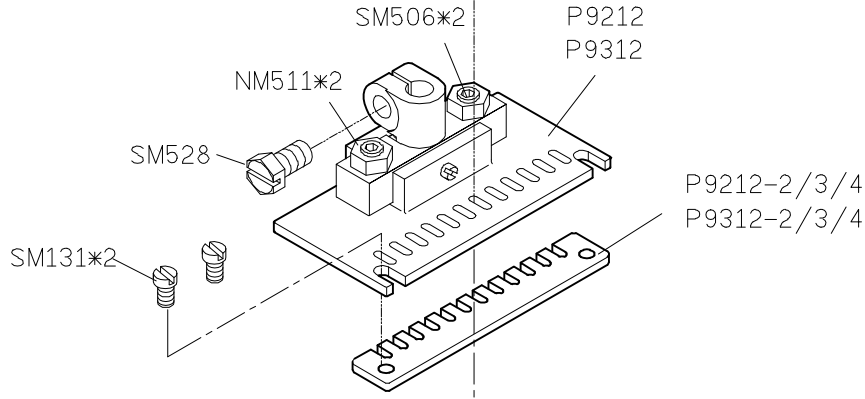


<b>SIRUBA</b> PARTS LIST	<b>Series</b>	<b>Parts Group</b>	<b>Subclass / Remark</b>	<b>Page</b>
	<b>VC008</b>	<b>VPQK</b>		1/5
				<b>Date</b>
				2012/08/24

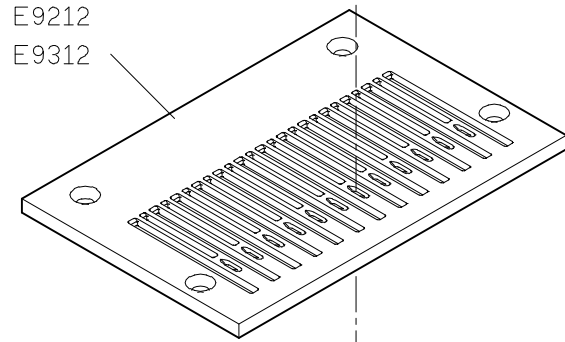
A



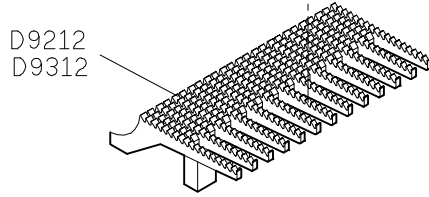
B



C



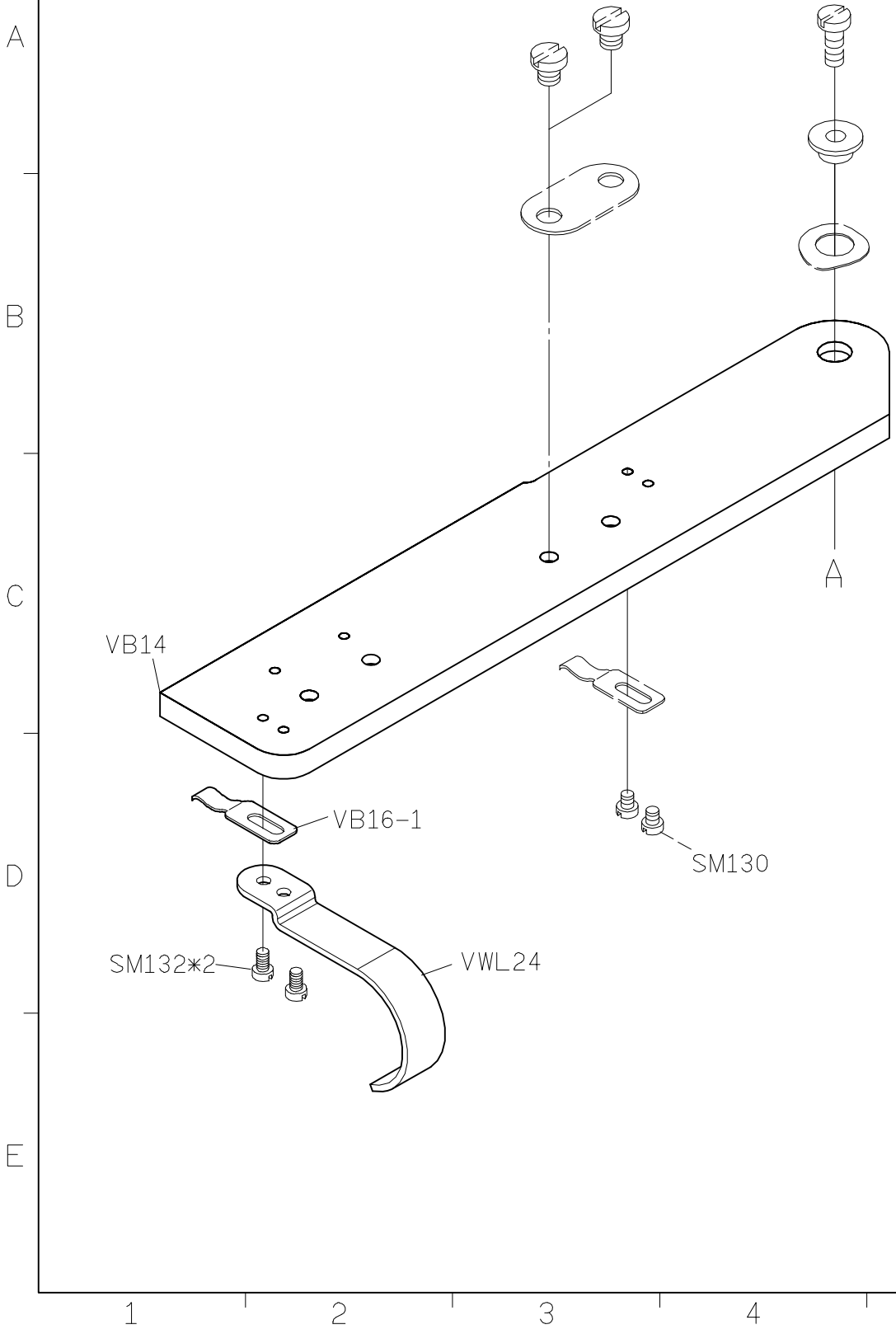
D



E



<b>SIRUBA</b> PARTS LIST	Series	Parts Group	Subclass / Remark	Page
	<b>VC008</b>	<b>VPQK</b>		3/5
				Date
				2012/08/24



<b>SIRUBA</b> <b>PARTS LIST</b>	<b>Series</b>	<b>Parts Group</b>	<b>Subclass / Remark</b>	<b>Page</b>
	<b>VC008</b>	<b>VPQK</b>		<b>4/5</b>
				<b>Date</b>
				<b>2012/08/24</b>

OPTION:VZ09Q-A1(1/2)

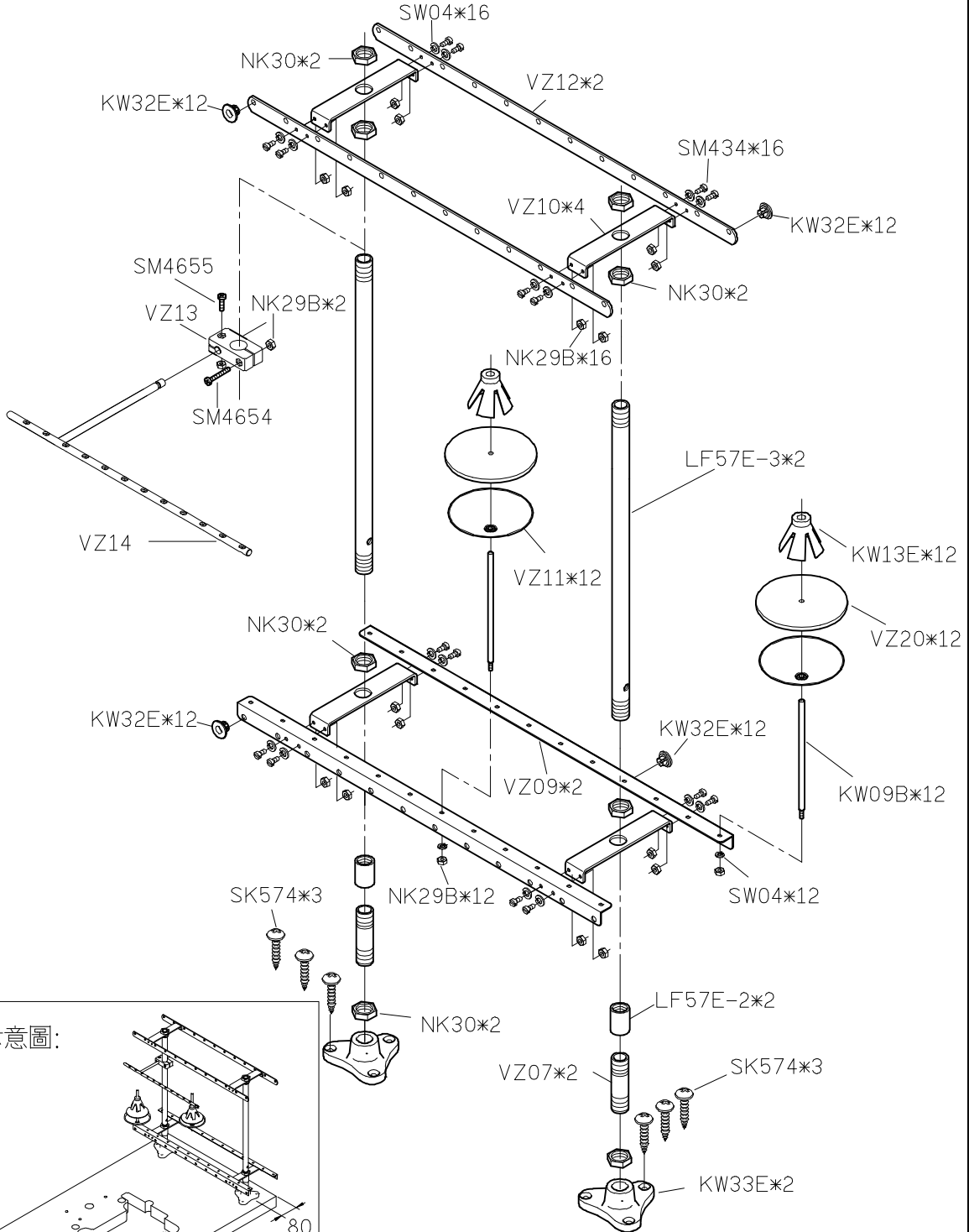
A

B

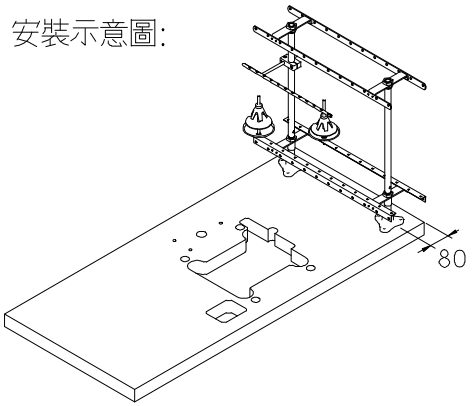
C

D

E



安裝示意圖:



1

2

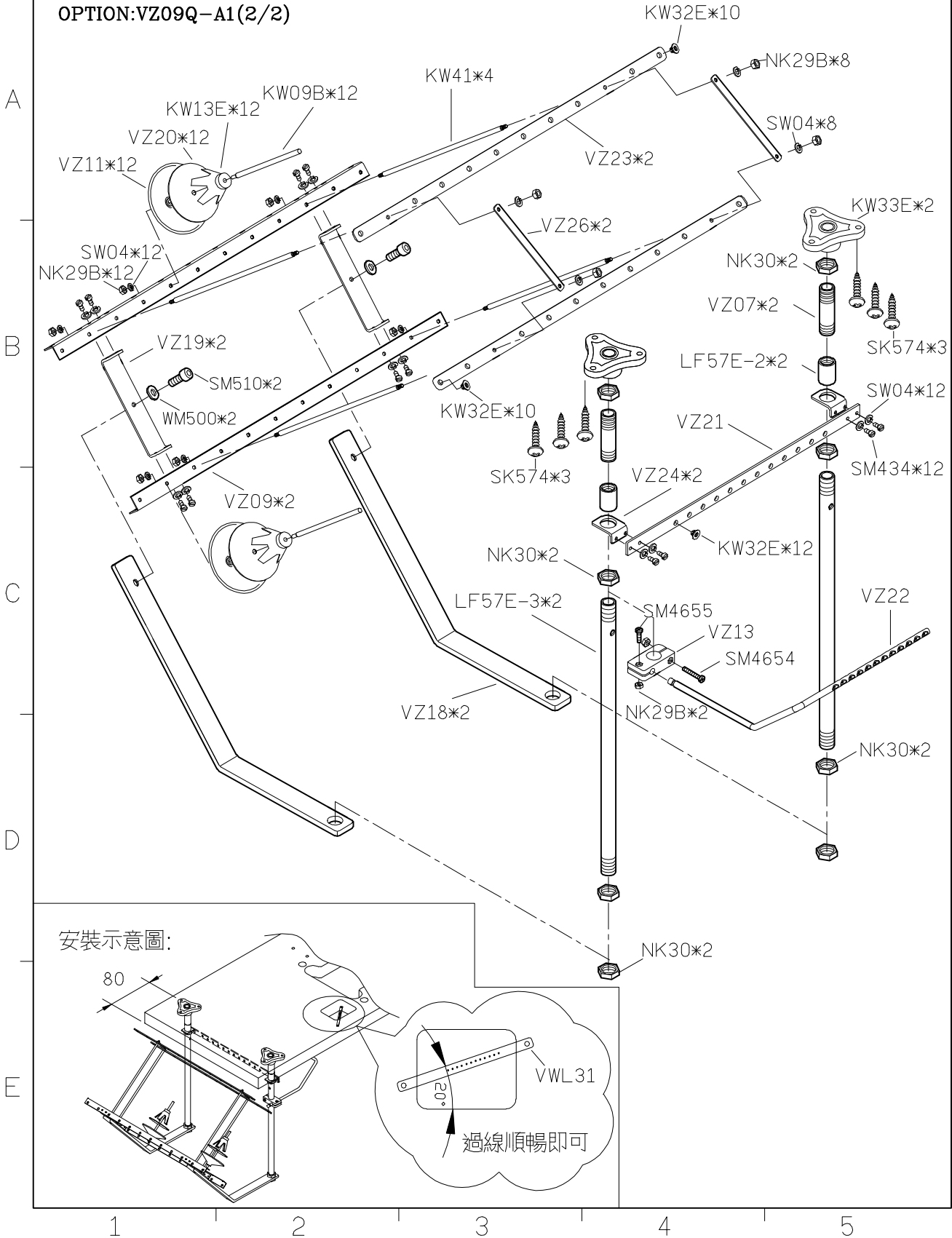
3

4

5

<b>SIRUBA</b> <b>PARTS LIST</b>	<b>Series</b>	<b>Parts Group</b>	<b>Subclass / Remark</b>	<b>Page</b>
	<b>VC008</b>	<b>VPQK</b>		<b>5/5</b>
				<b>Date</b>
				<b>2012/08/24</b>

OPTION:VZ09Q-A1(2/2)



安裝示意圖:

80

過線順暢即可

VWL31

20°

1

2

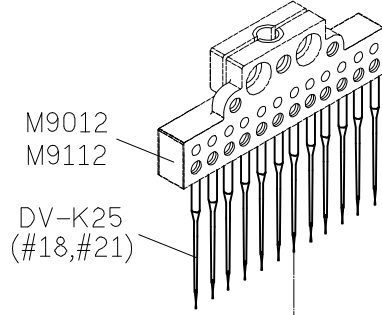
3

4

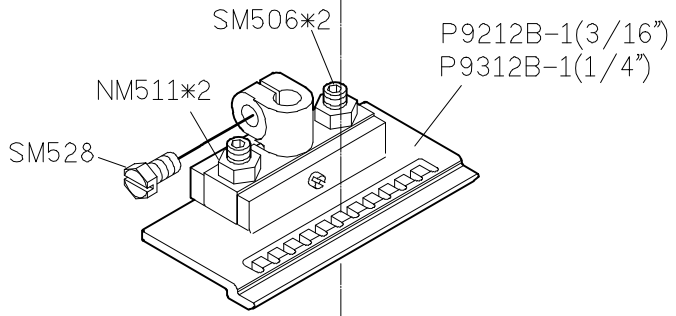
5

SIRUBA PARTS LIST	Series	Parts Group	Subclass / Remark	Page
	VC008	VPS		1/3
				Date
				2012/08/24

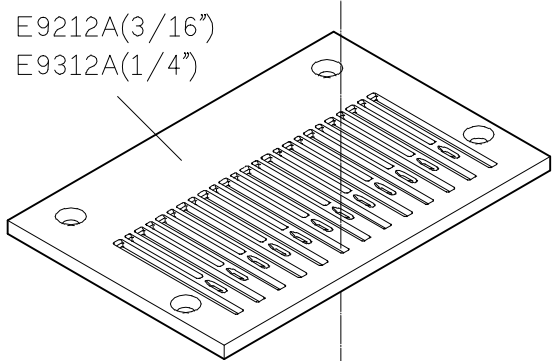
A



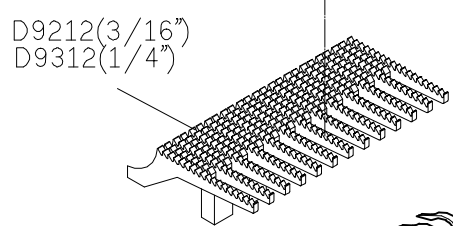
B



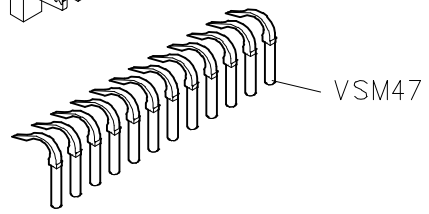
C



D



E



<b>SIRUBA</b> <b>PARTS LIST</b>	<b>Series</b>	<b>Parts Group</b>	<b>Subclass / Remark</b>	<b>Page</b>
	<b>VC008</b>	<b>VPS</b>		<b>2/3</b>
				<b>Date</b>
				<b>2012/08/24</b>

OPTION:VZ09Q-A1(1/2)

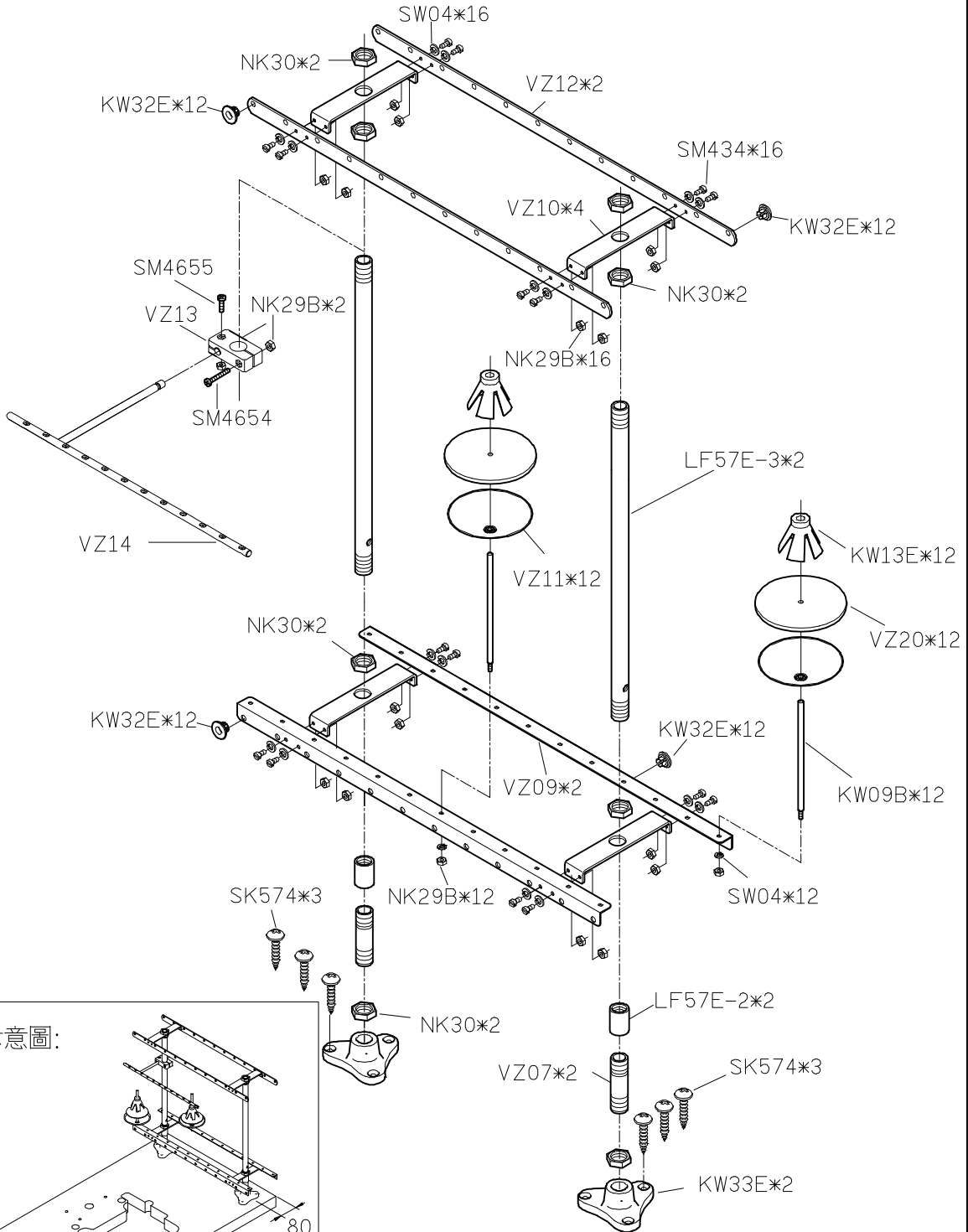
A

B

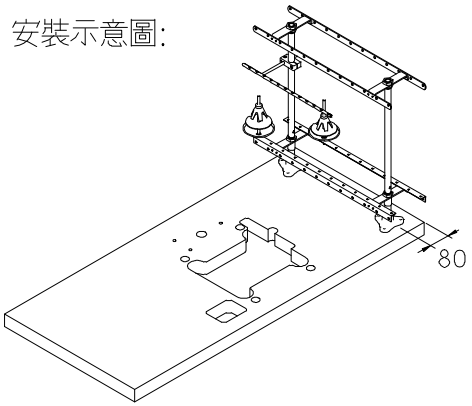
C

D

E



安裝示意圖:



1

2

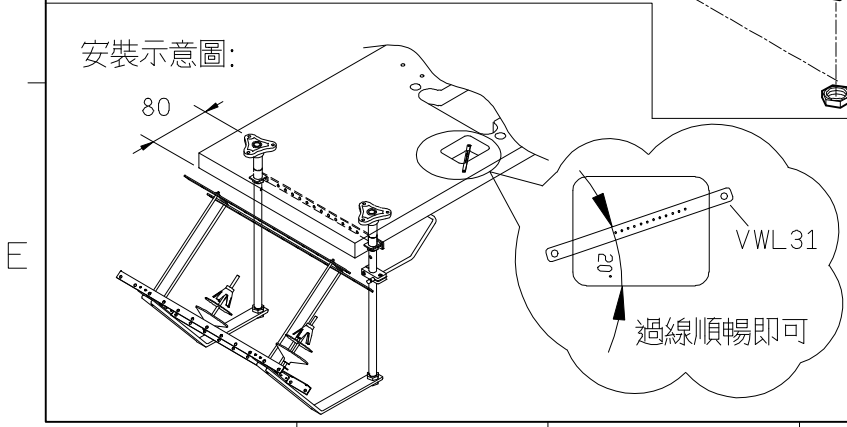
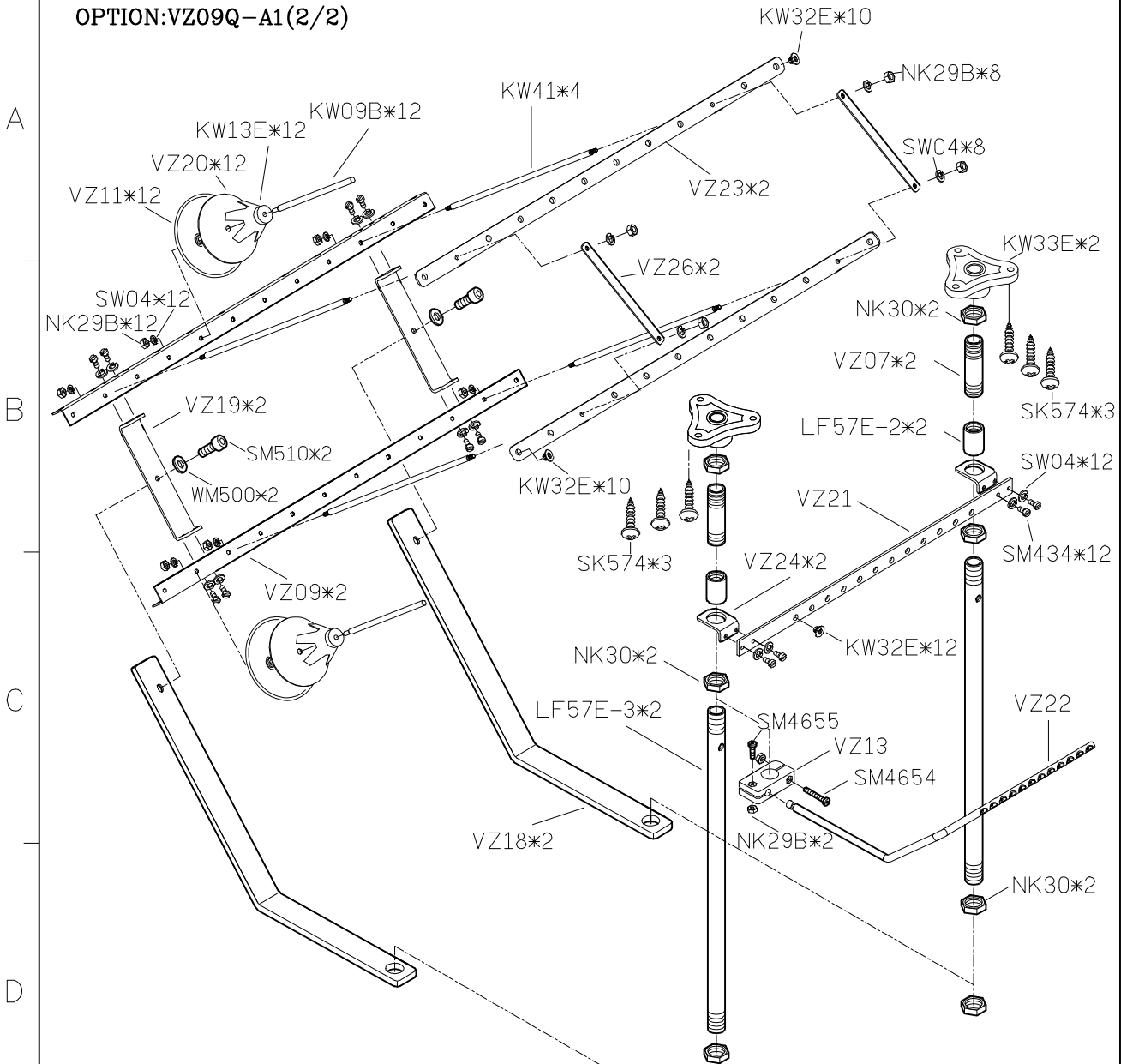
3

4

5

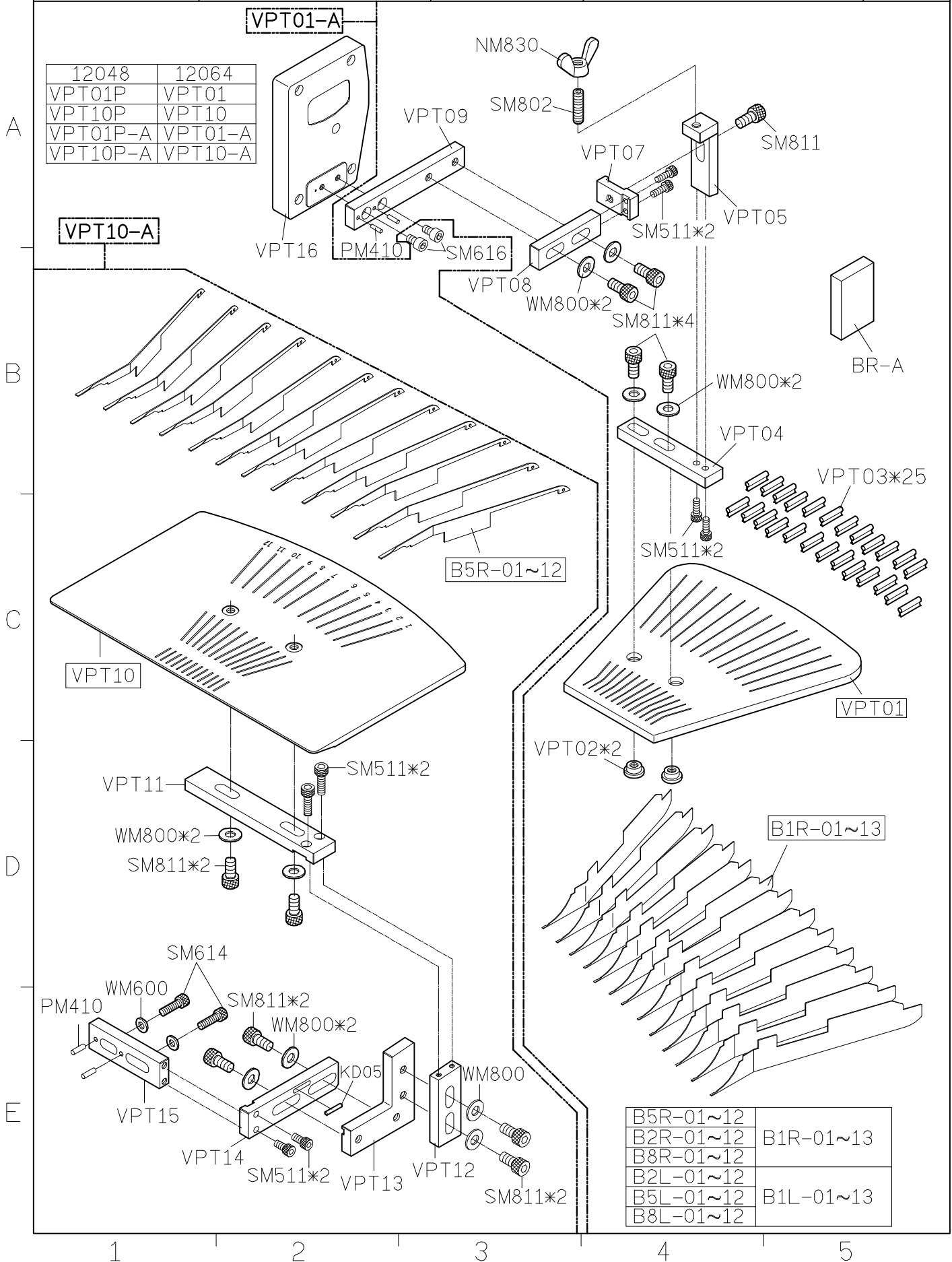
<b>SIRUBA</b> <b>PARTS LIST</b>	<b>Series</b>	<b>Parts Group</b>	<b>Subclass / Remark</b>	<b>Page</b>
	<b>VC008</b>	<b>VPS</b>		<b>3/3</b>
				<b>Date</b>
				<b>2012/08/24</b>

OPTION:VZ09Q-A1(2/2)



1 2 3 4 5

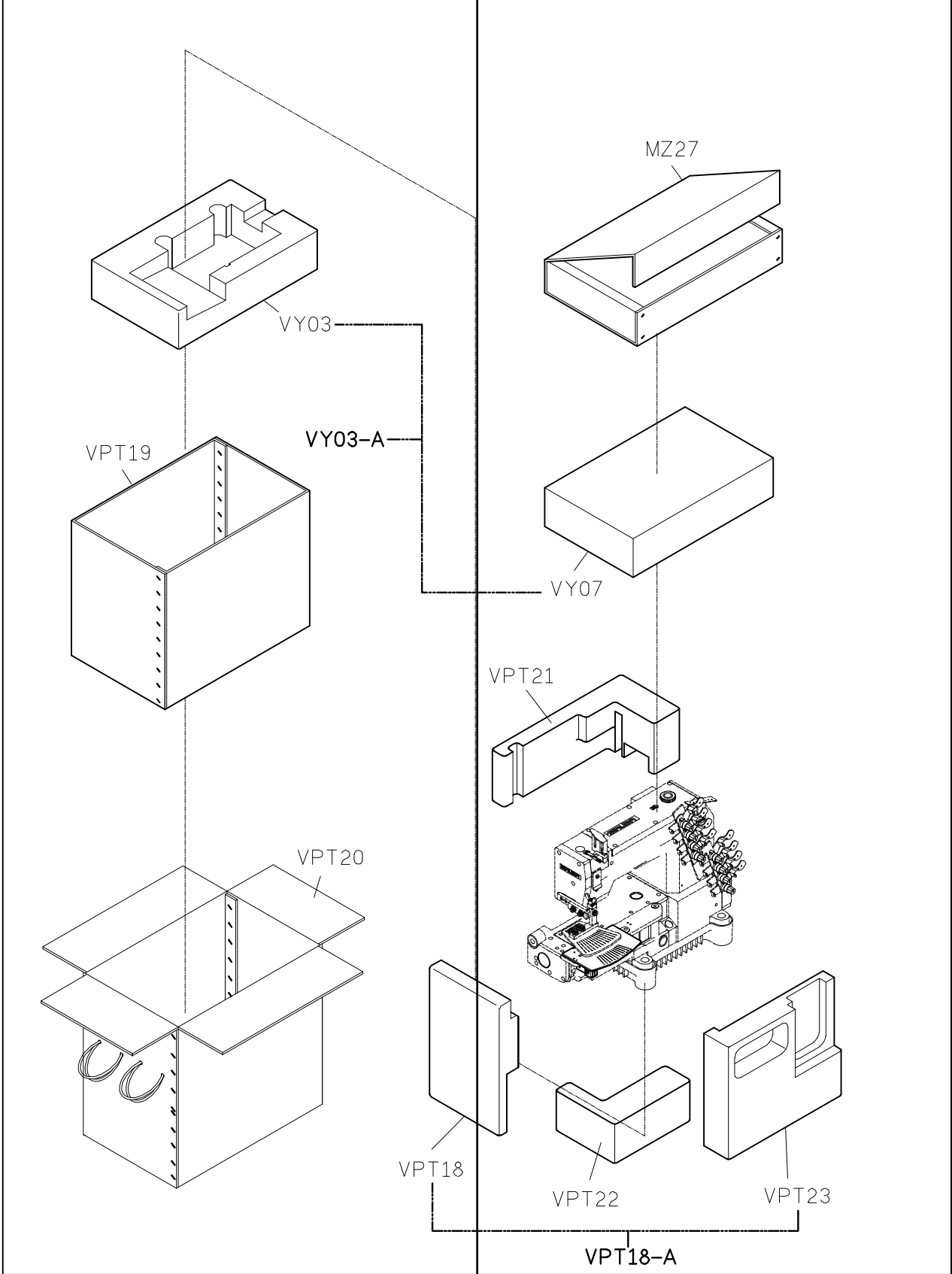
<b>SIRUBA</b> <b>PARTS LIST</b>	<b>Series</b>	<b>Parts Group</b>	<b>Subclass / Remark</b>	<b>Page</b>
	<b>VC008</b>	<b>VPT</b>		1/2
				<b>Date</b>
				2012/08/24



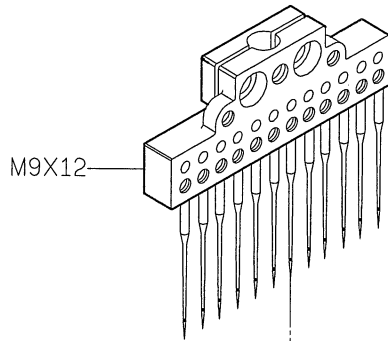
12048	12064
VPT01P	VPT01
VPT10P	VPT10
VPT01P-A	VPT01-A
VPT10P-A	VPT10-A

B5R-01~12	
B2R-01~12	B1R-01~13
B8R-01~12	
B2L-01~12	
B5L-01~12	B1L-01~13
B8L-01~12	

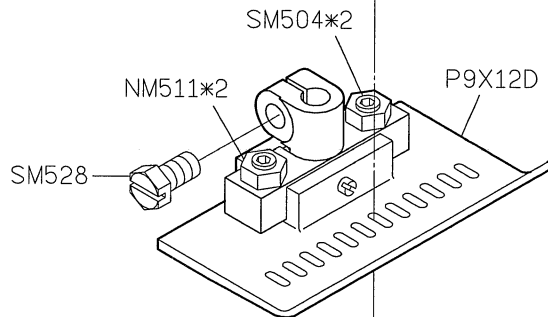
SIRUBA SEQUENCE LIST	Series	Parts Group	Subclass / Remark	Page
	VC008	VPT		2/2
				Date
				2012/03/24



A

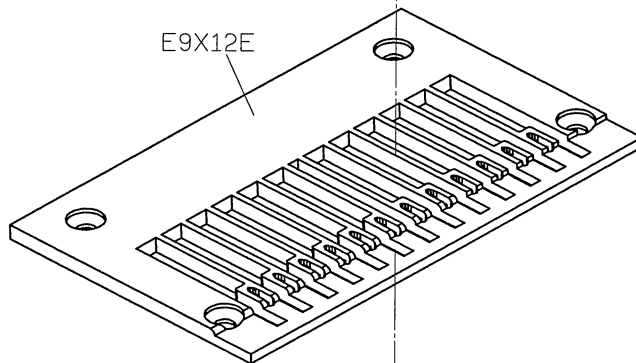


B



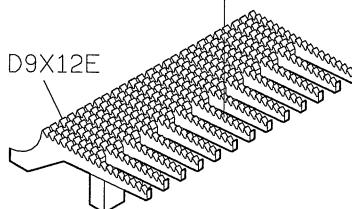
C

E9X12E

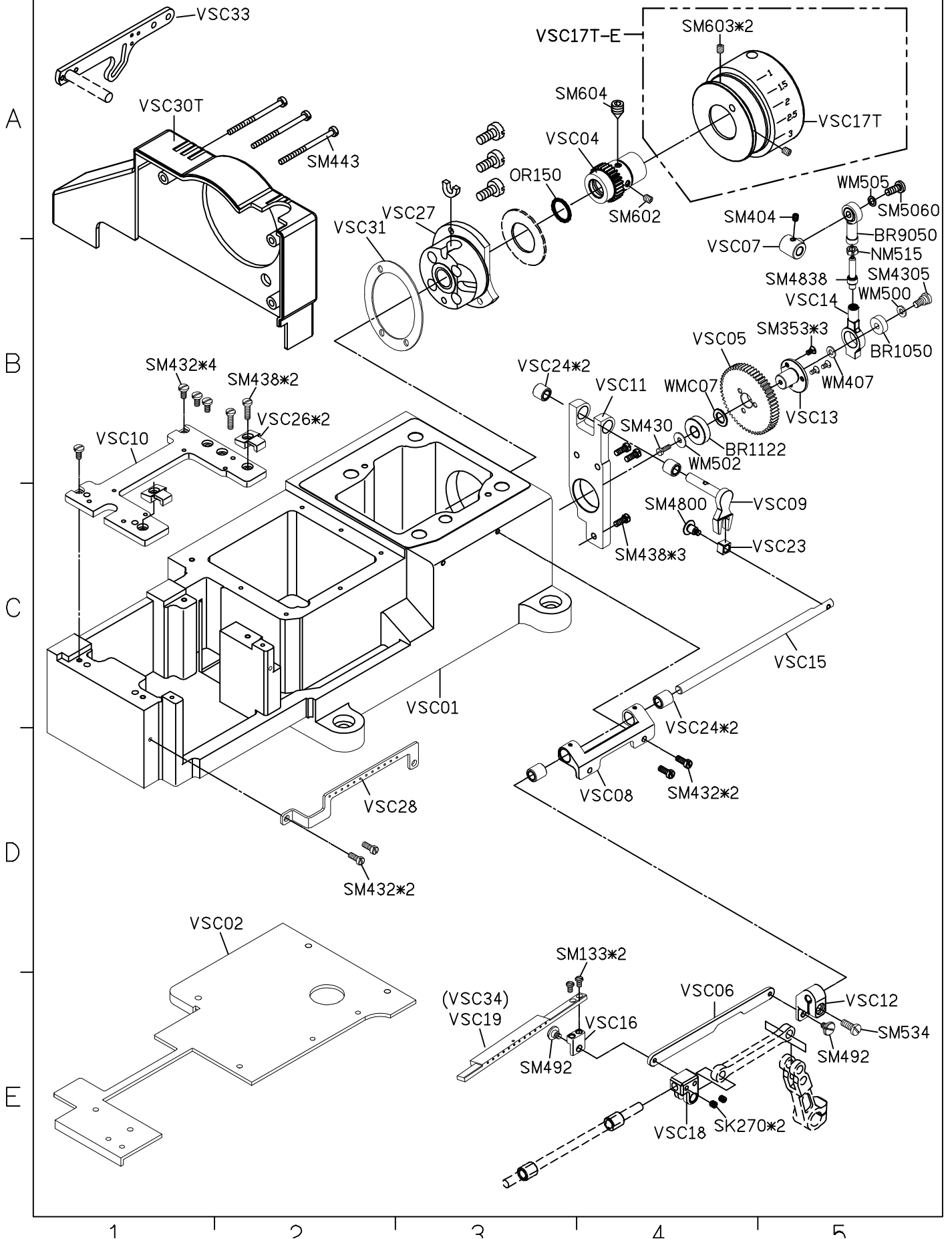


D

D9X12E

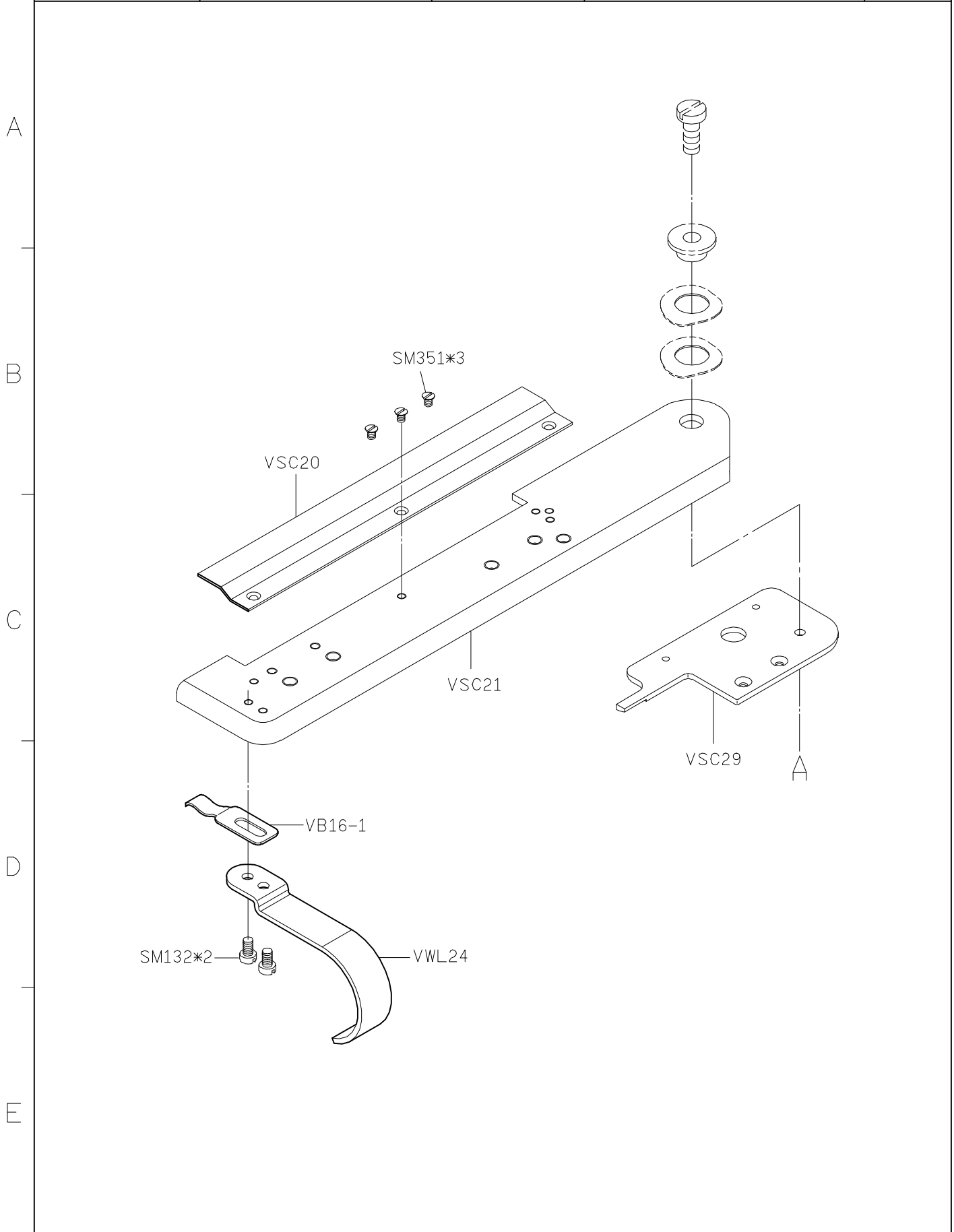


E





SIRUBA PARTS LIST	Series	Parts Group	Subclass / Remark	Page
	VC008	VSC		4/7
				Date
				2014/05/23



<b>SIRUBA</b> <b>PARTS LIST</b>	<b>Series</b>	<b>Parts Group</b>	<b>Subclass / Remark</b>	<b>Page</b>
	<b>VC008</b>	<b>VSC</b>		5/7
				<b>Date</b>
				2012/08/21

OPTION:VZ09C-A(1/2)

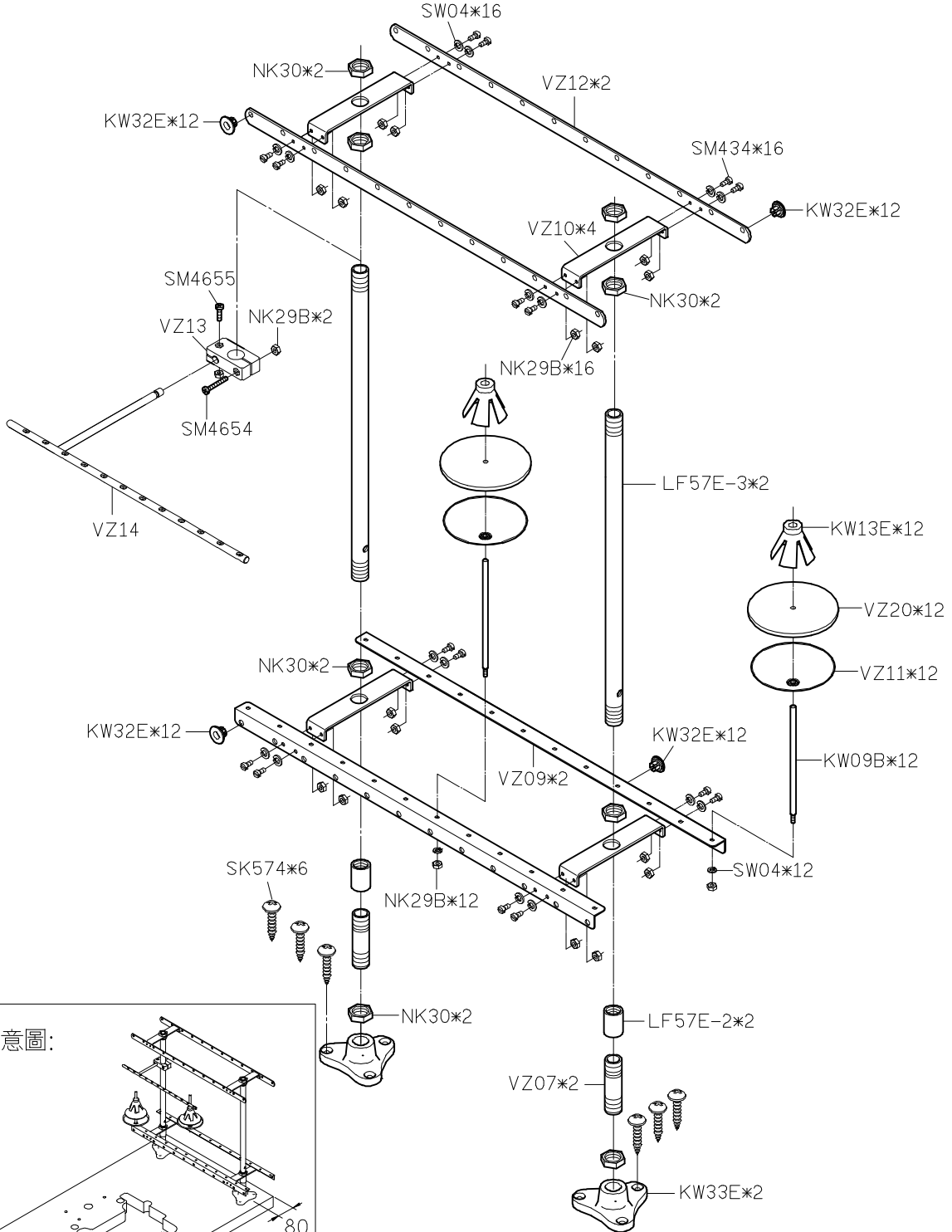
A

B

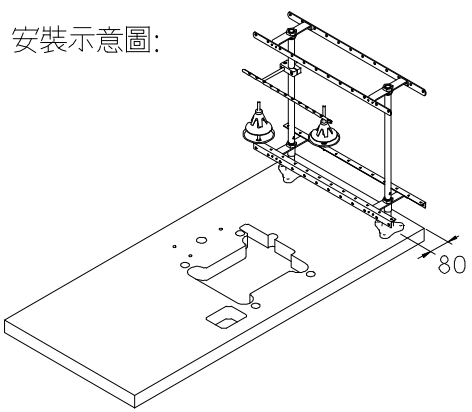
C

D

E



安裝示意圖:



1

2

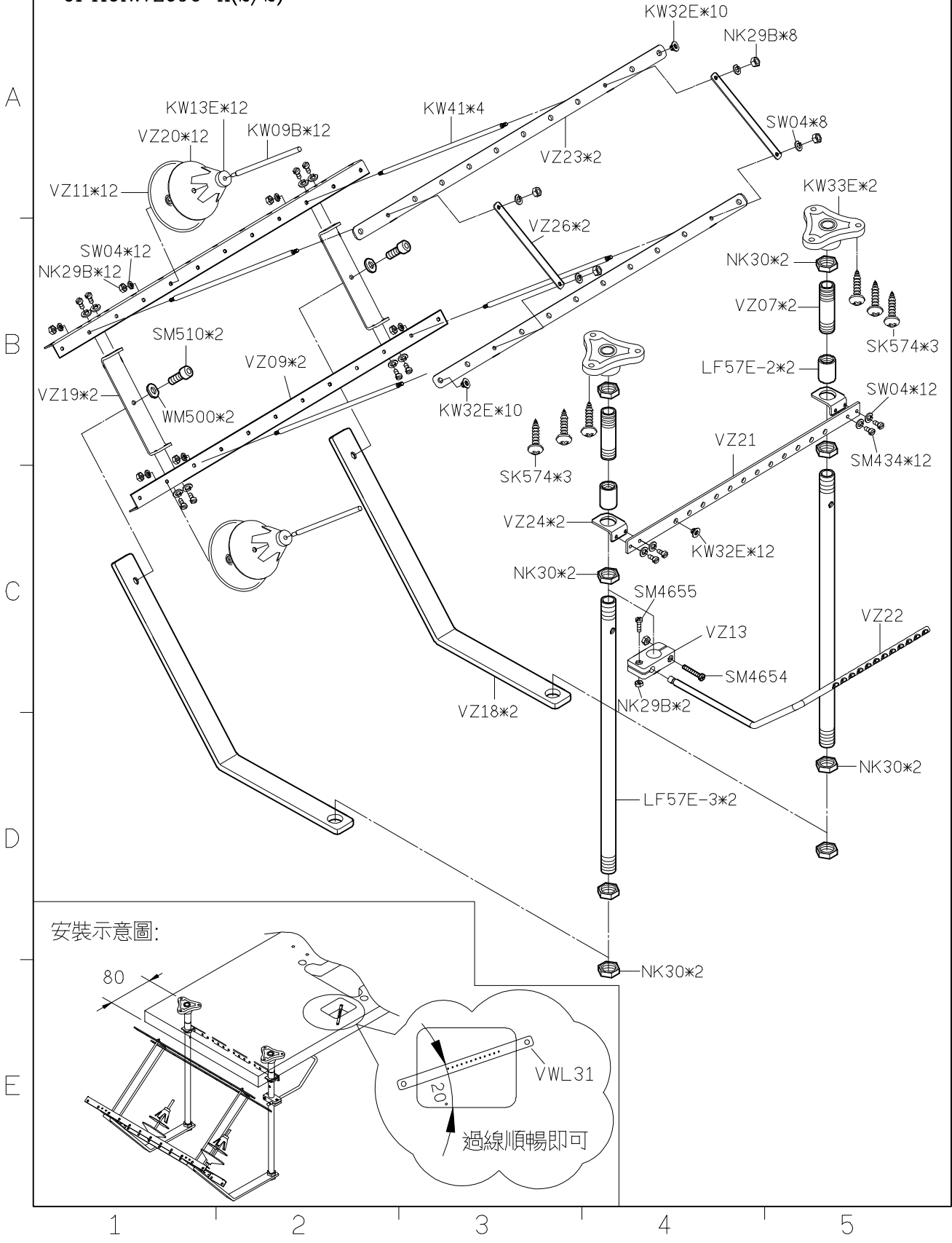
3

4

5

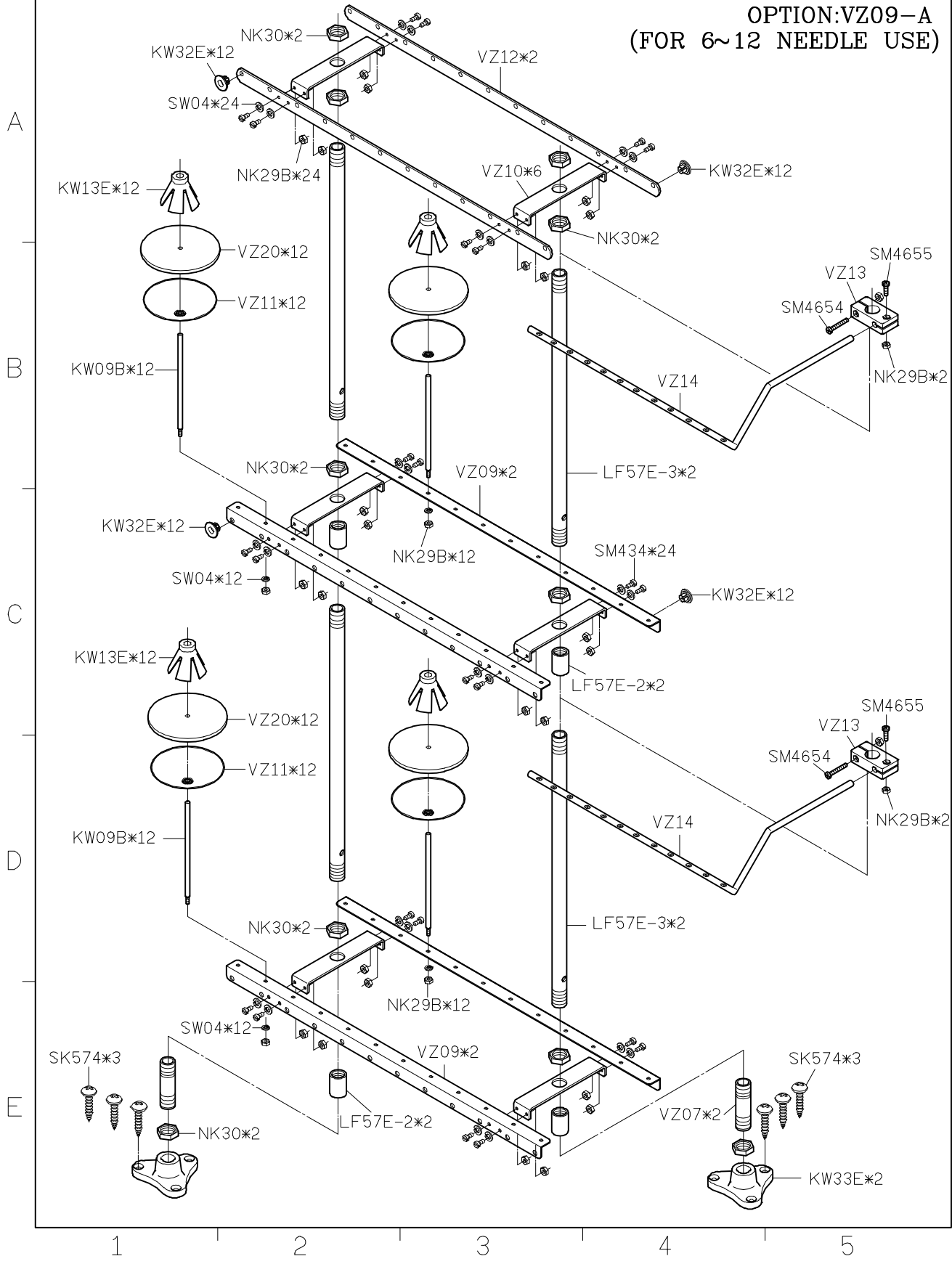
<b>SIRUBA</b> <b>PARTS LIST</b>	<b>Series</b>	<b>Parts Group</b>	<b>Subclass / Remark</b>	<b>Page</b>
	<b>VC008</b>	<b>VSC</b>		6/7
				<b>Date</b>
				2012/08/21

OPTION:VZ09C-A(2/2)



<b>SIRUBA</b> <b>PARTS LIST</b>	<b>Series</b>	<b>Parts Group</b>	<b>Subclass / Remark</b>	<b>Page</b>
	<b>VC008</b>	<b>VSC</b>		7/7
				<b>Date</b>
				2012/08/21

OPTION:VZ09-A  
(FOR 6~12 NEEDLE USE)



<b>SIRUBA</b> <b>PARTS LIST</b>	<b>Series</b>		<b>Parts Group</b>	<b>Subclass / Remark</b>	<b>Page</b>
	<b>VC008</b>		<b>VSF</b>		1/1
					<b>Date</b>
					2012/03/21

規格 SVB CLASS 代 號 CODE	產品寬 FINISHED SIZE	入布寬 TAPE SIZE	針 距 NEEDLE HOLDER	機 種 MODEL
B529	13/8"	23/8"	1/4- 3/4- 1/4	0464-191
B529P	11/2"	21/2"	3/16- 1- 3/16	0448-254
B529Q	15/8"	25/8"	1/4- 1- 1/4	0464-254

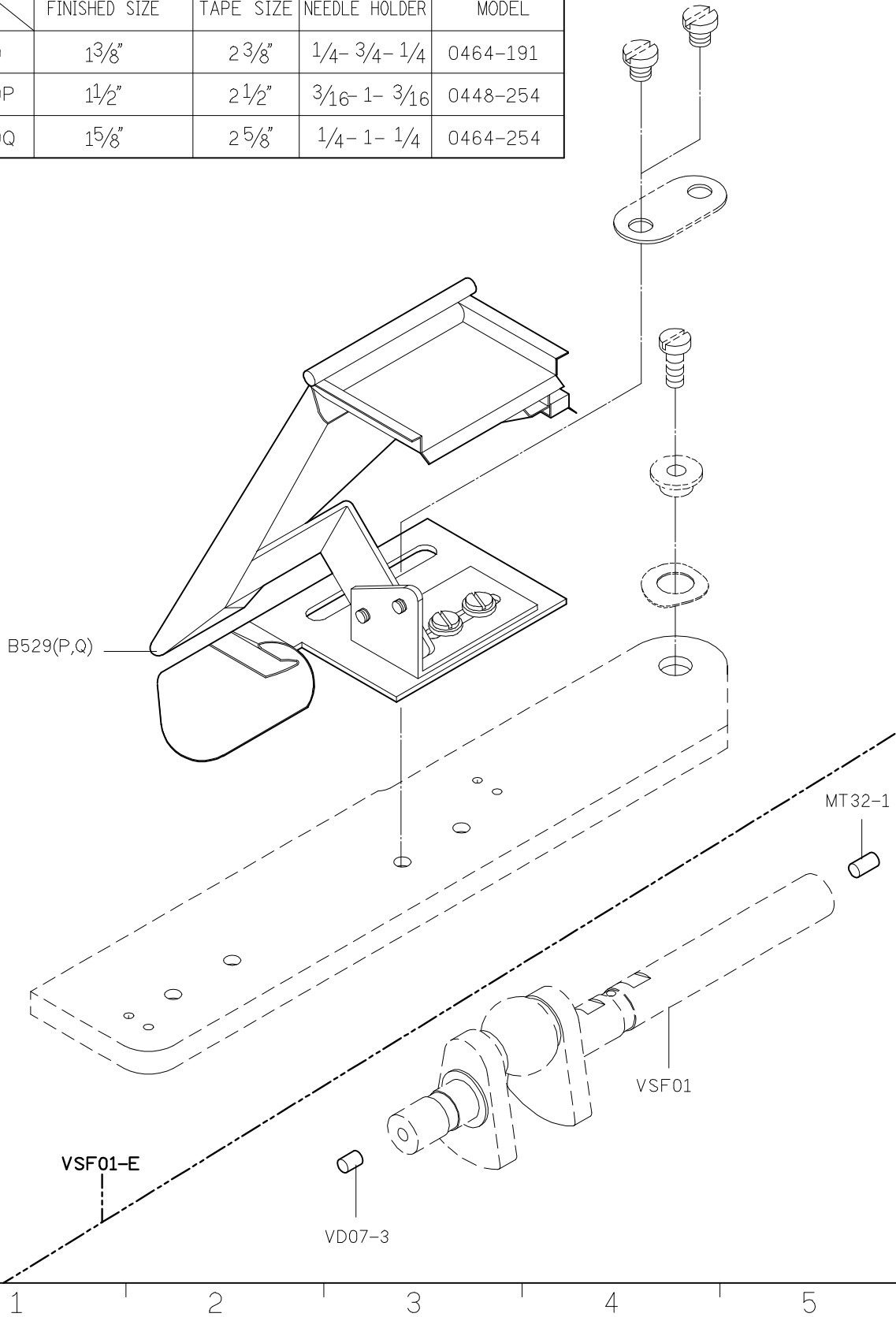
A

B

C

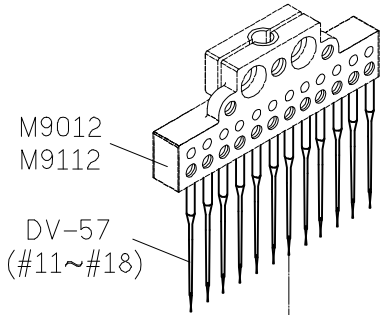
D

E

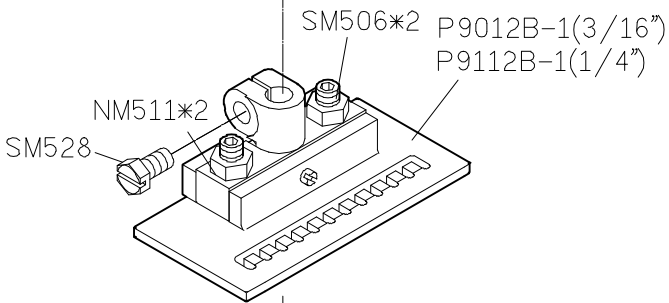


<b>SIRUBA</b> PARTS LIST	Series	Parts Group	Subclass / Remark	Page
	<b>VC008</b>	<b>VSM</b>		1/15
				Date
				2012/08/23

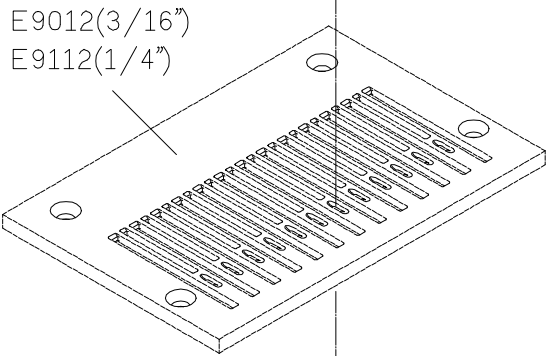
A



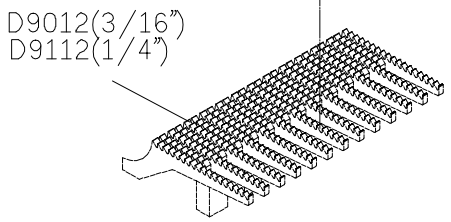
B



C



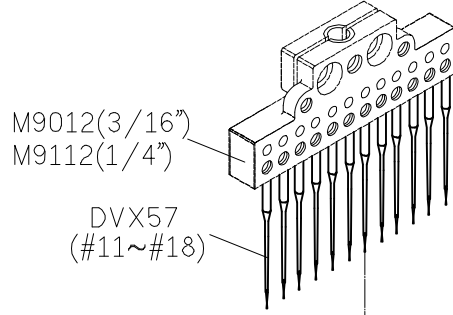
D



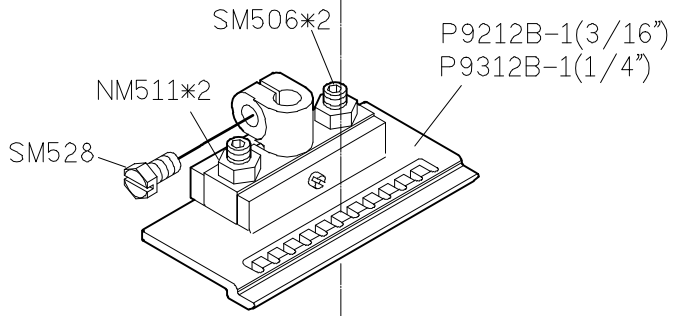
E

<b>SIRUBA</b> PARTS LIST	Series	Parts Group	Subclass / Remark	Page
	<b>VC008</b>	<b>VSSM</b>		2/15
				Date
				2012/08/23

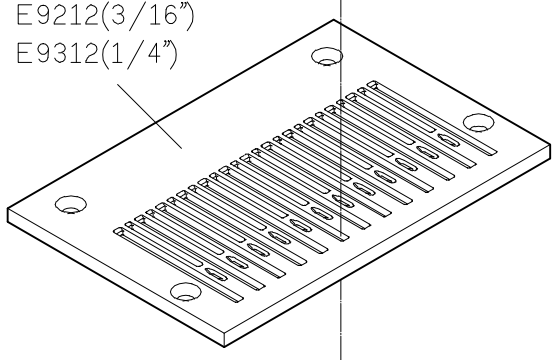
A



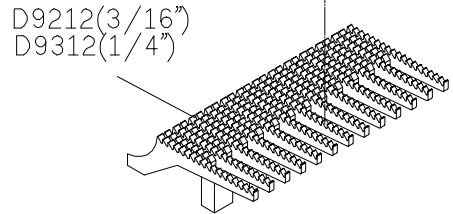
B



C



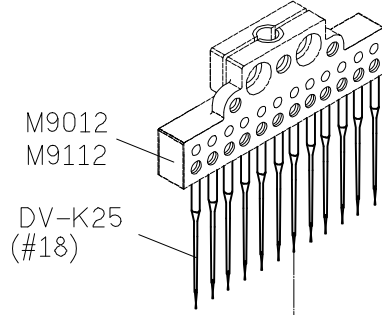
D



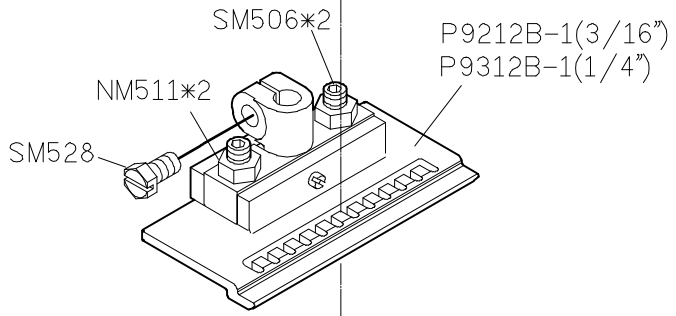
E

<b>SIRUBA</b> <b>PARTS LIST</b>	<b>Series</b>	<b>Parts Group</b>	<b>Subclass / Remark</b>	<b>Page</b>
	<b>VC008</b>	<b>VSQ</b>		3/15
				<b>Date</b>
				2012/08/23

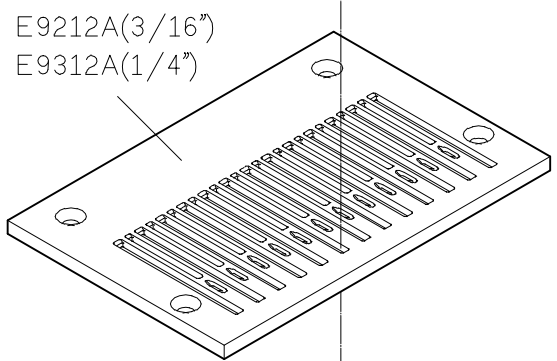
A



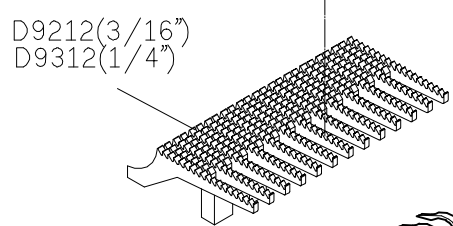
B



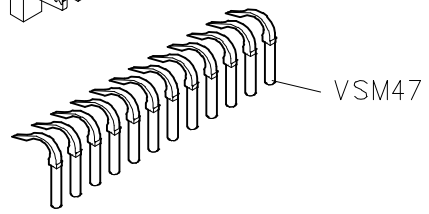
C



D

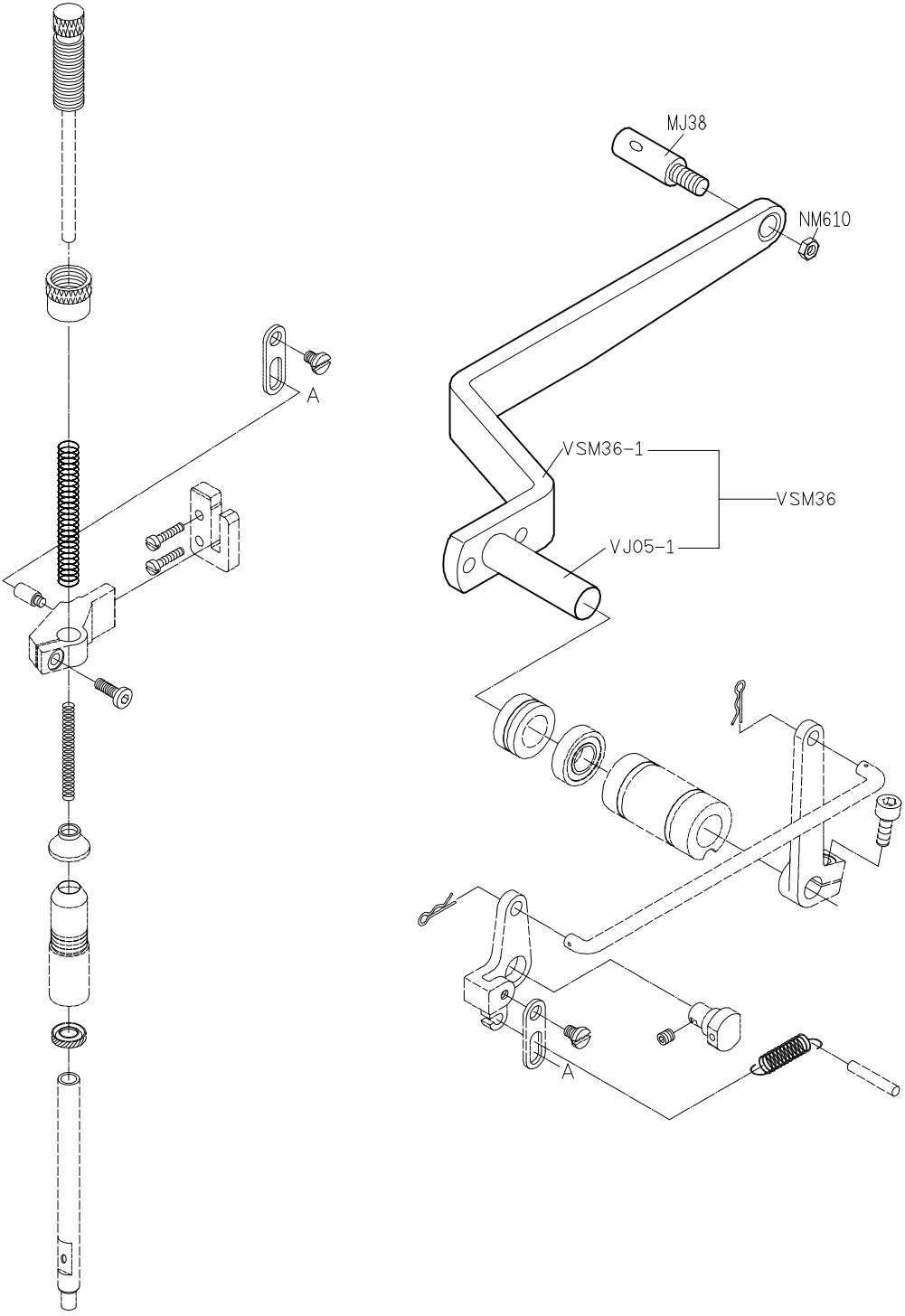


E



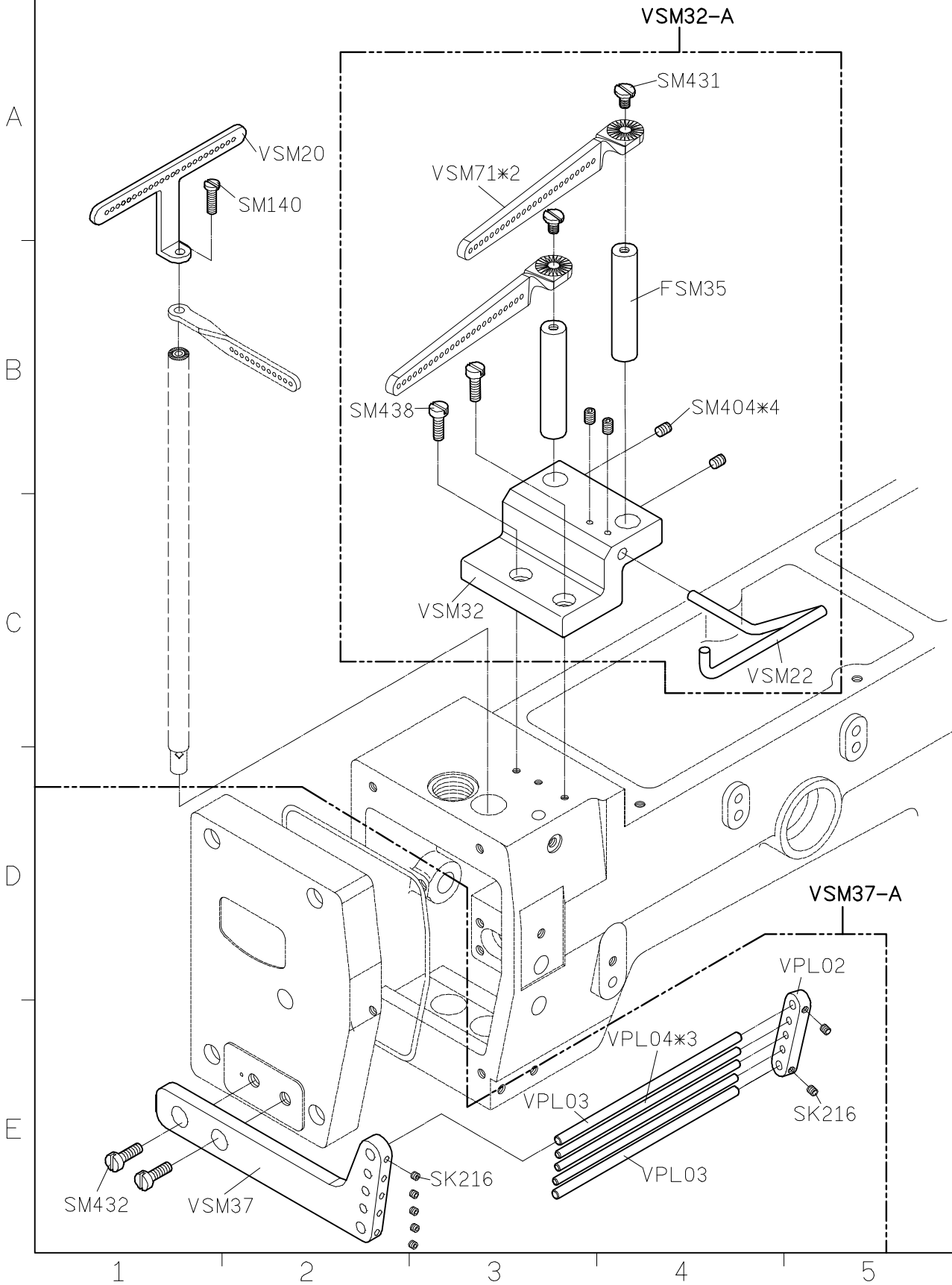
SIRUBA PARTS LIST	Series	Parts Group	Subclass / Remark	Page
	VC008	VSM/VSSM VSQ		4/15
				Date
				2012/08/23

A  
B  
C  
D  
E



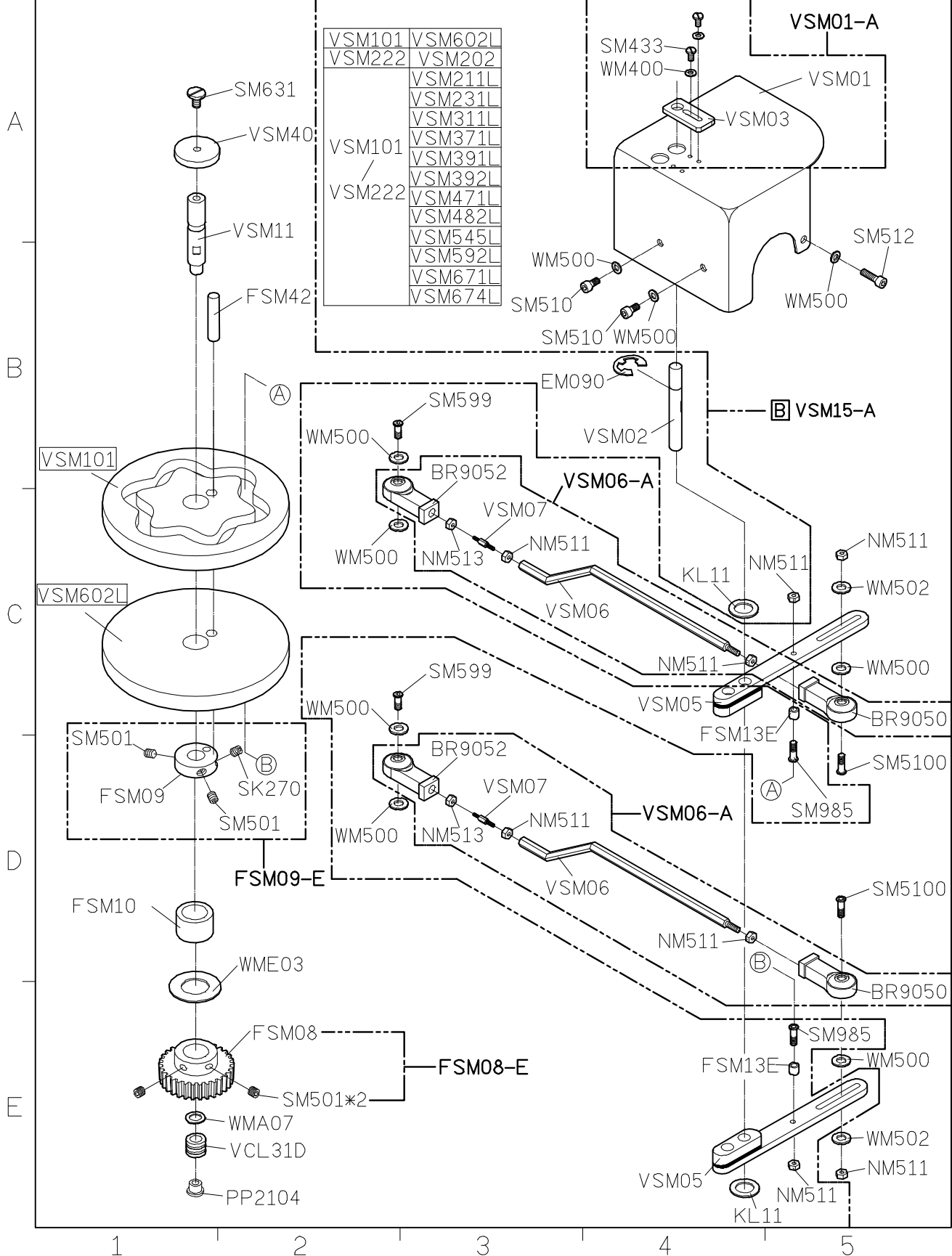
1 2 3 4 5

<b>SIRUBA</b> PARTS LIST	Series	Parts Group	Subclass / Remark	Page
	<b>VC008</b>	<b>VSM/VSSM VSQ</b>		5/15
				Date
				2012/08/23





VSM101	VSM602L
VSM222	VSM202
VSM101 / VSM222	VSM211L
	VSM231L
	VSM311L
	VSM371L
	VSM391L
	VSM392L
	VSM471L
	VSM482L
	VSM545L
	VSM592L
VSM671L	
VSM674L	





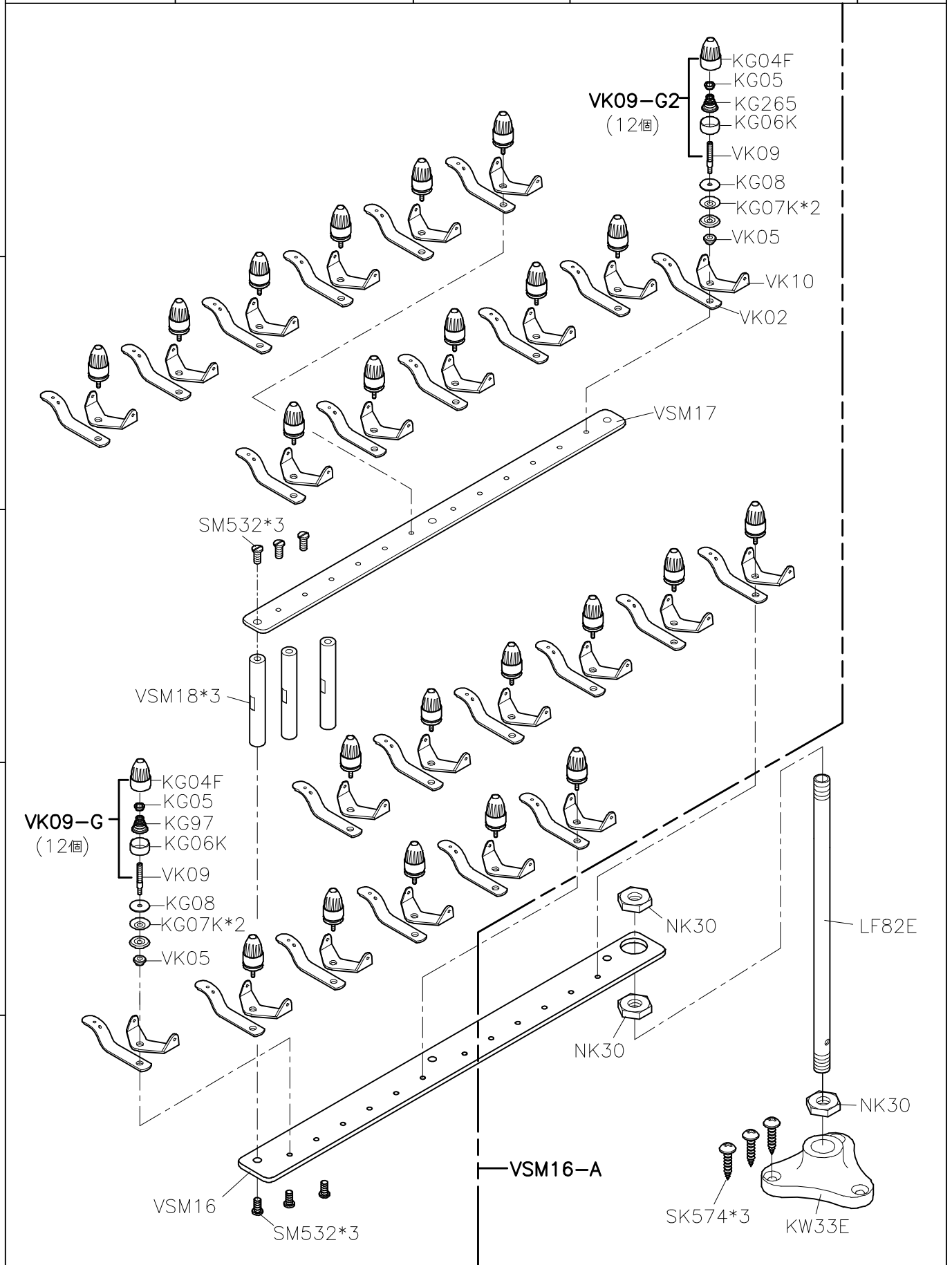
A

B

C

D

E



1

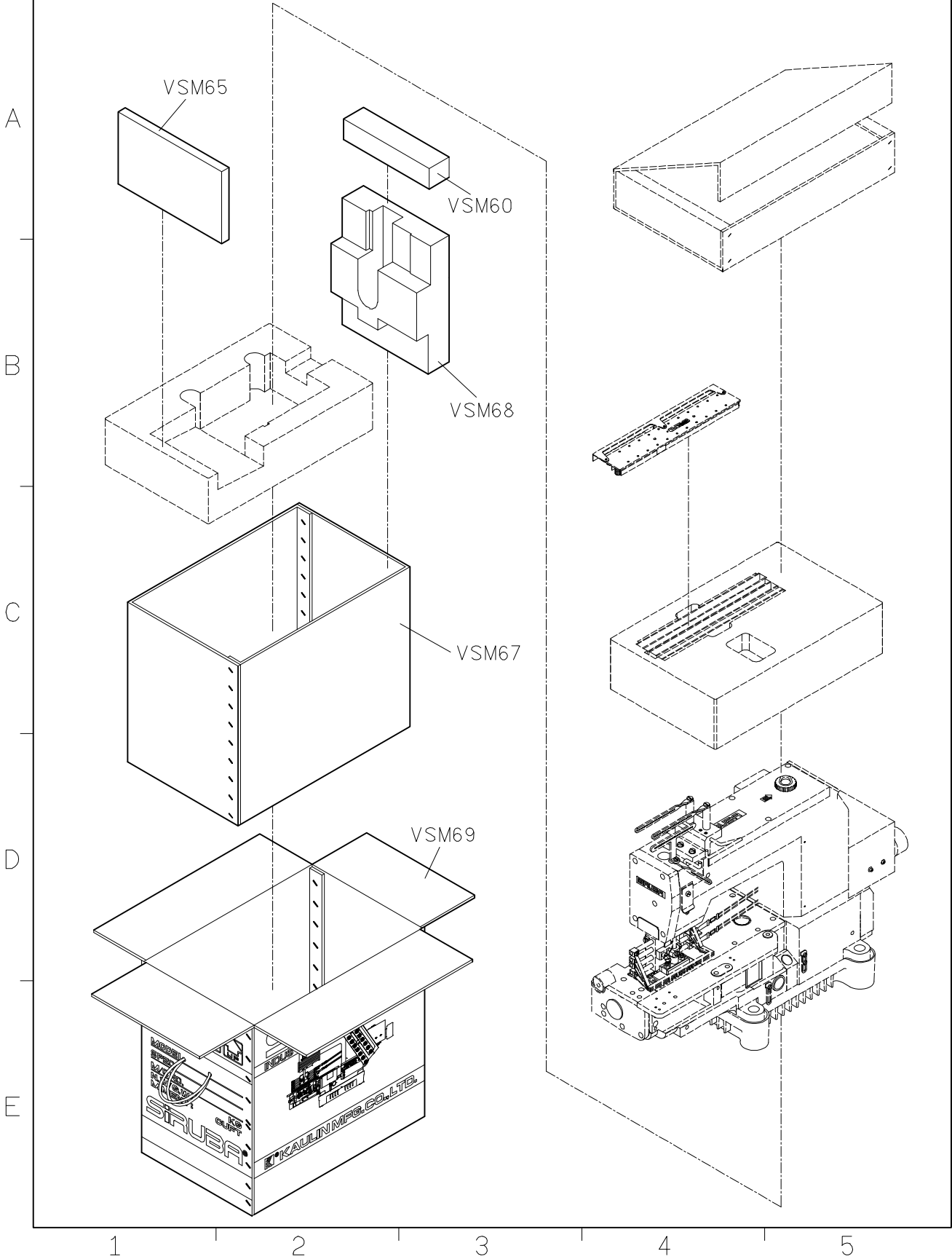
2

3

4

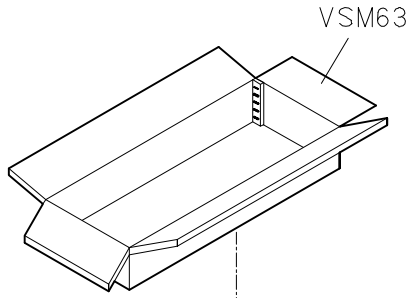
5

<b>SIRUBA</b> PARTS LIST	Series	Parts Group	Subclass / Remark	Page
	<b>VC008</b>	VSM/VSSM		10/15
		VSQ		Date
				2012/08/23

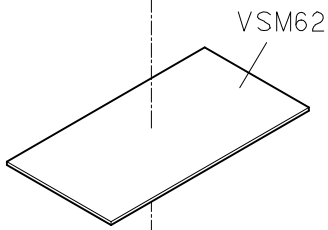


<b>SIRUBA</b> PARTS LIST	Series	Parts Group	Subclass / Remark	Page
	<b>VC008</b>	<b>VSM/VSSM</b> <b>VSQ</b>		11/15
				Date
				2012/08/23

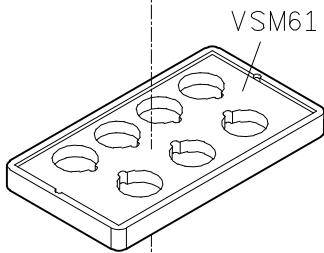
A



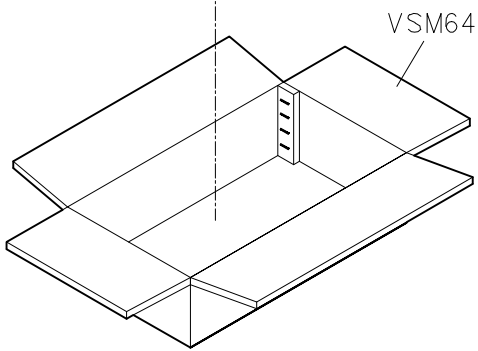
B



C



D



E

1

2

3

4

5

<b>SIRUBA</b> <b>PARTS LIST</b>	<b>Series</b>	<b>Parts Group</b>	<b>Subclass / Remark</b>	<b>Page</b>
	<b>VC008</b>	<b>VSM/VSSM</b> <b>VSQ</b>		12/15
				<b>Date</b>
				2012/08/23

OPTION:VSM38-A

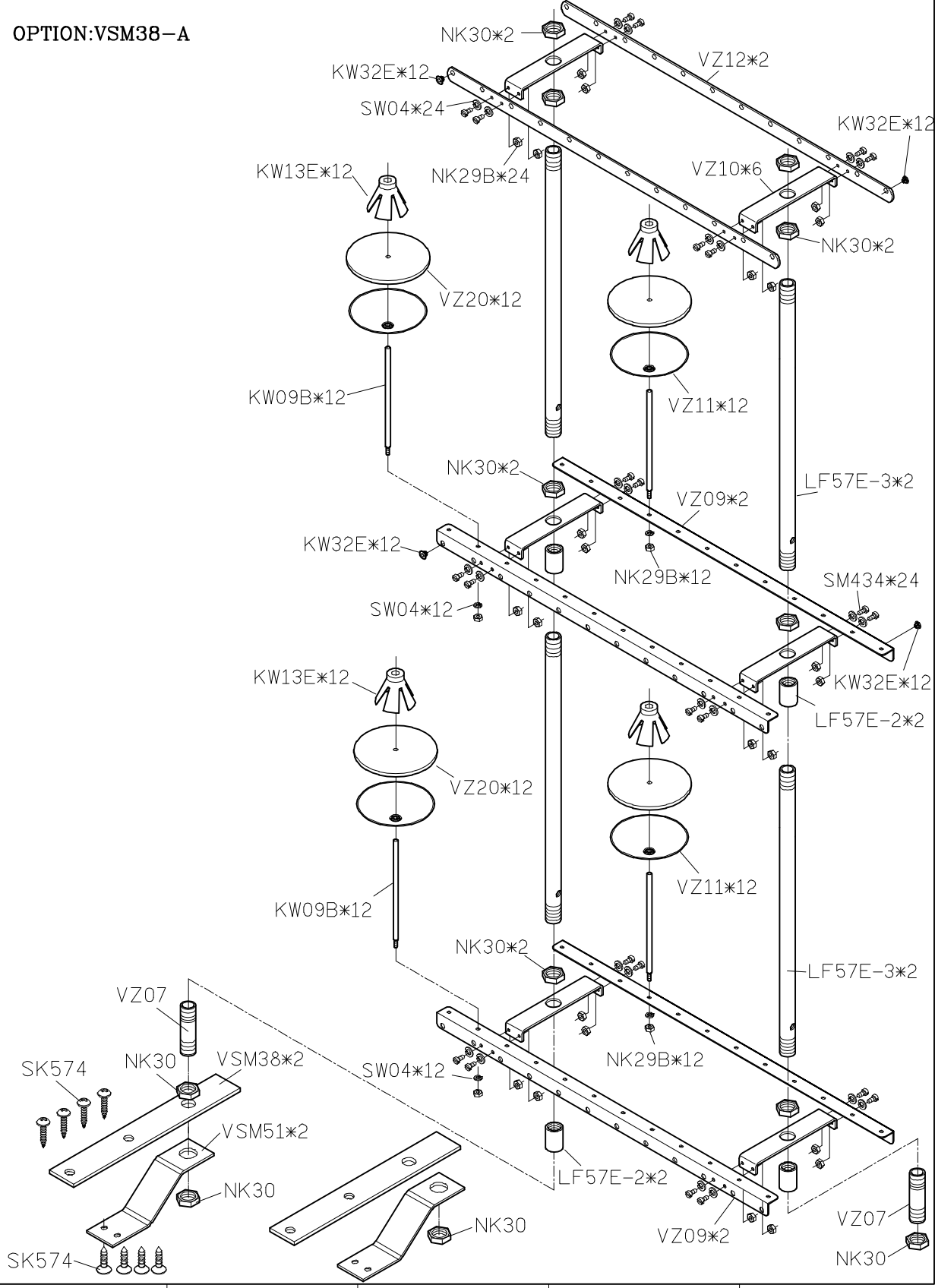
A

B

C

D

E



1

2

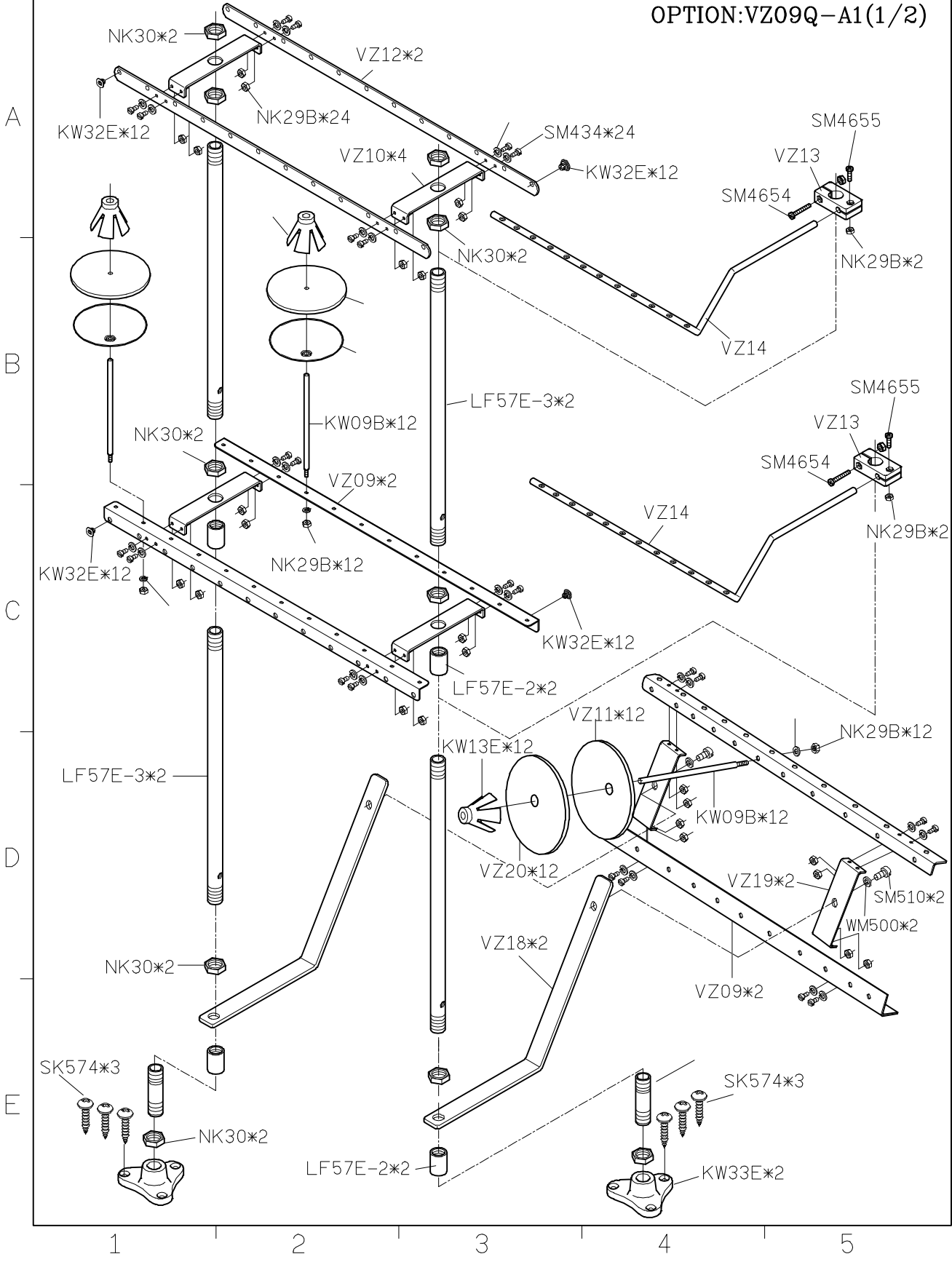
3

4

5

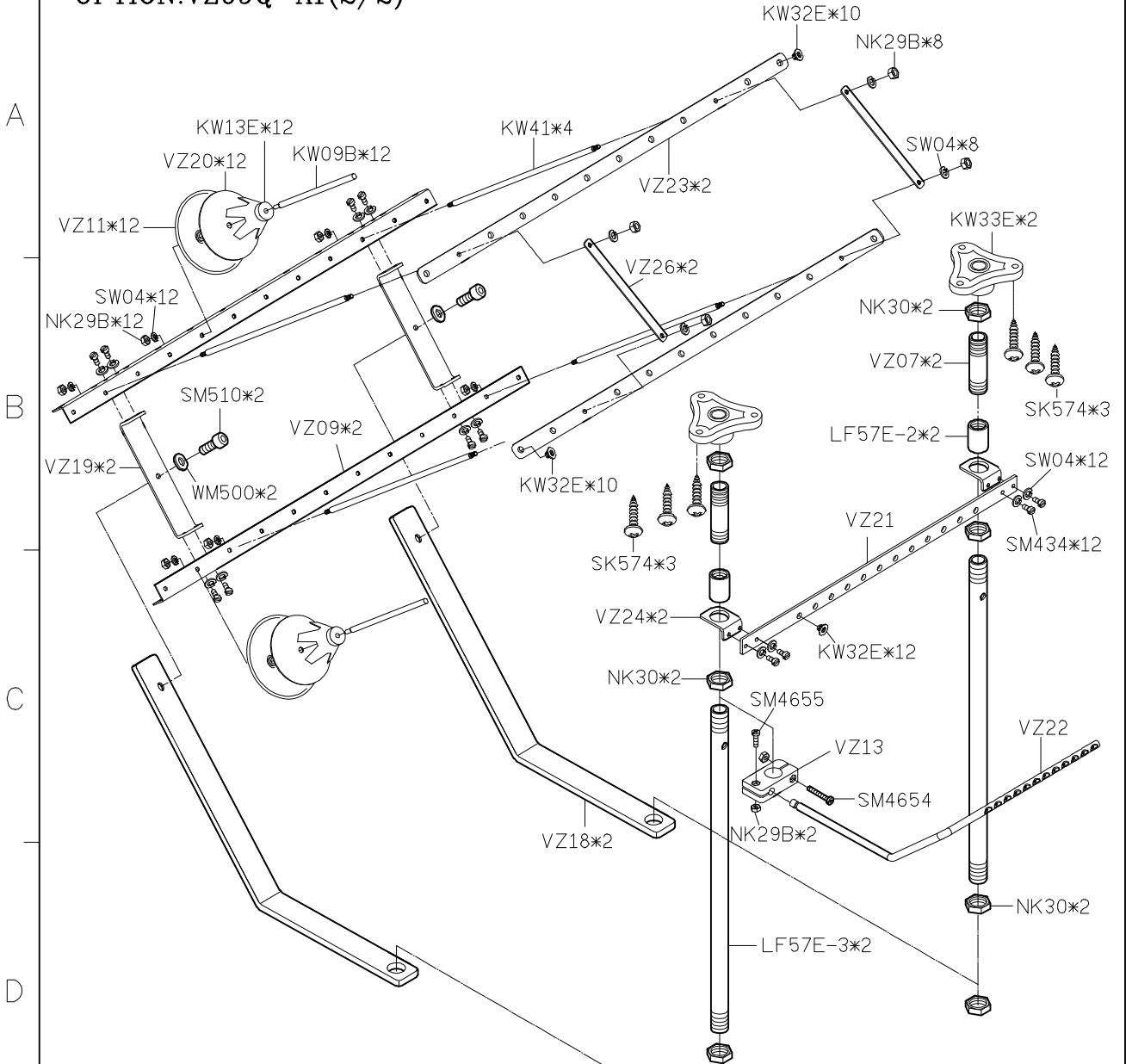
<b>SIRUBA</b> <b>PARTS LIST</b>	<b>Series</b>	<b>Parts Group</b>	<b>Subclass / Remark</b>	<b>Page</b>
	<b>VC008</b>	<b>VSSM</b>		13/15
				<b>Date</b>
				2012/11/15

OPTION:VZ09Q-A1(1/2)

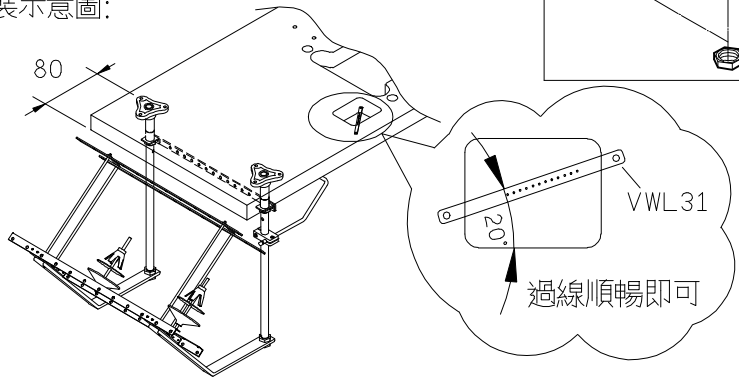


<b>SIRUBA</b> <b>PARTS LIST</b>	<b>Series</b>	<b>Parts Group</b>	<b>Subclass / Remark</b>	<b>Page</b>
	<b>VC008</b>	<b>VSSM</b>		14/15
				<b>Date</b>
				2012/11/15

OPTION:VZ09Q-A1(2/2)



安裝示意圖:



1

2

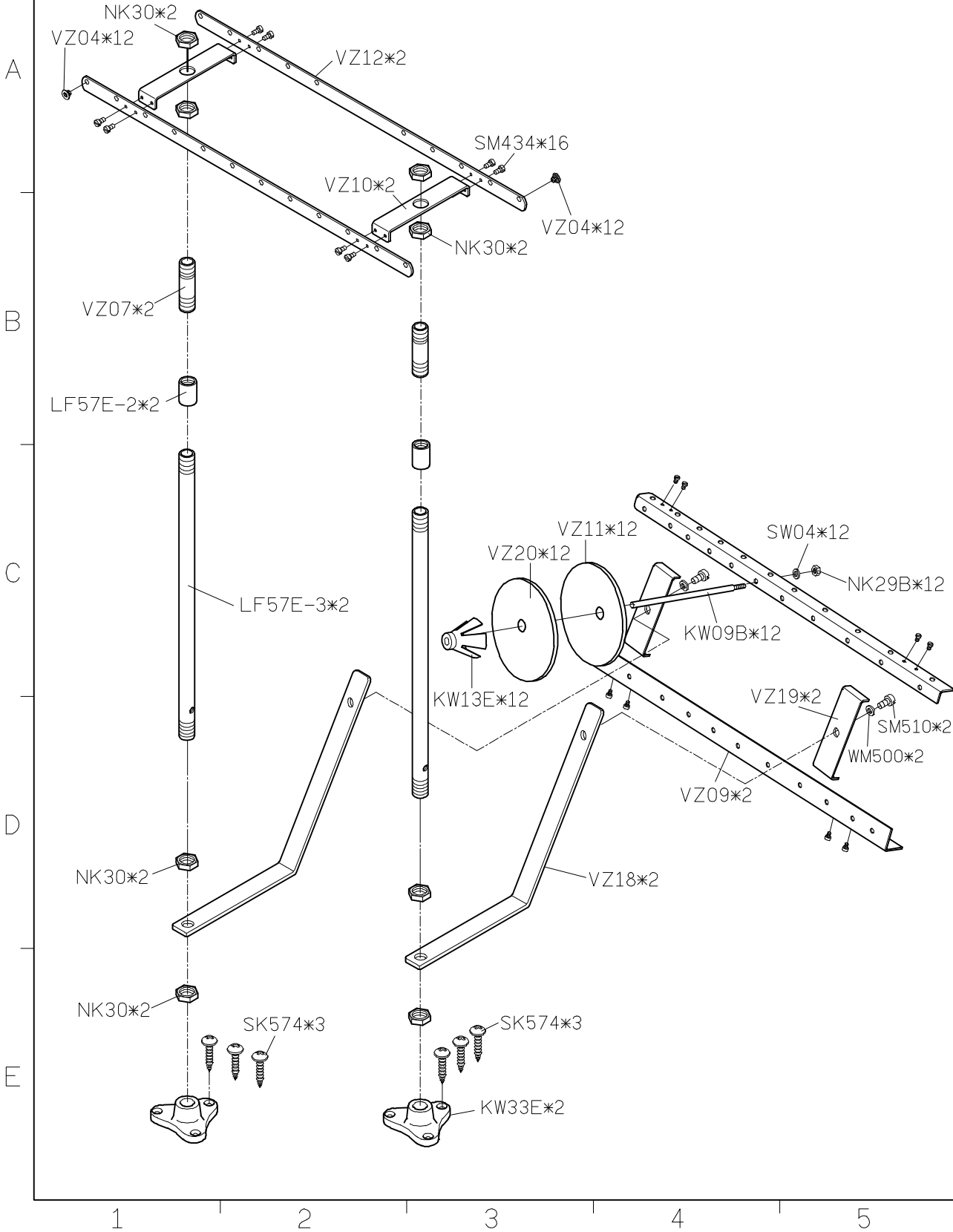
3

4

5

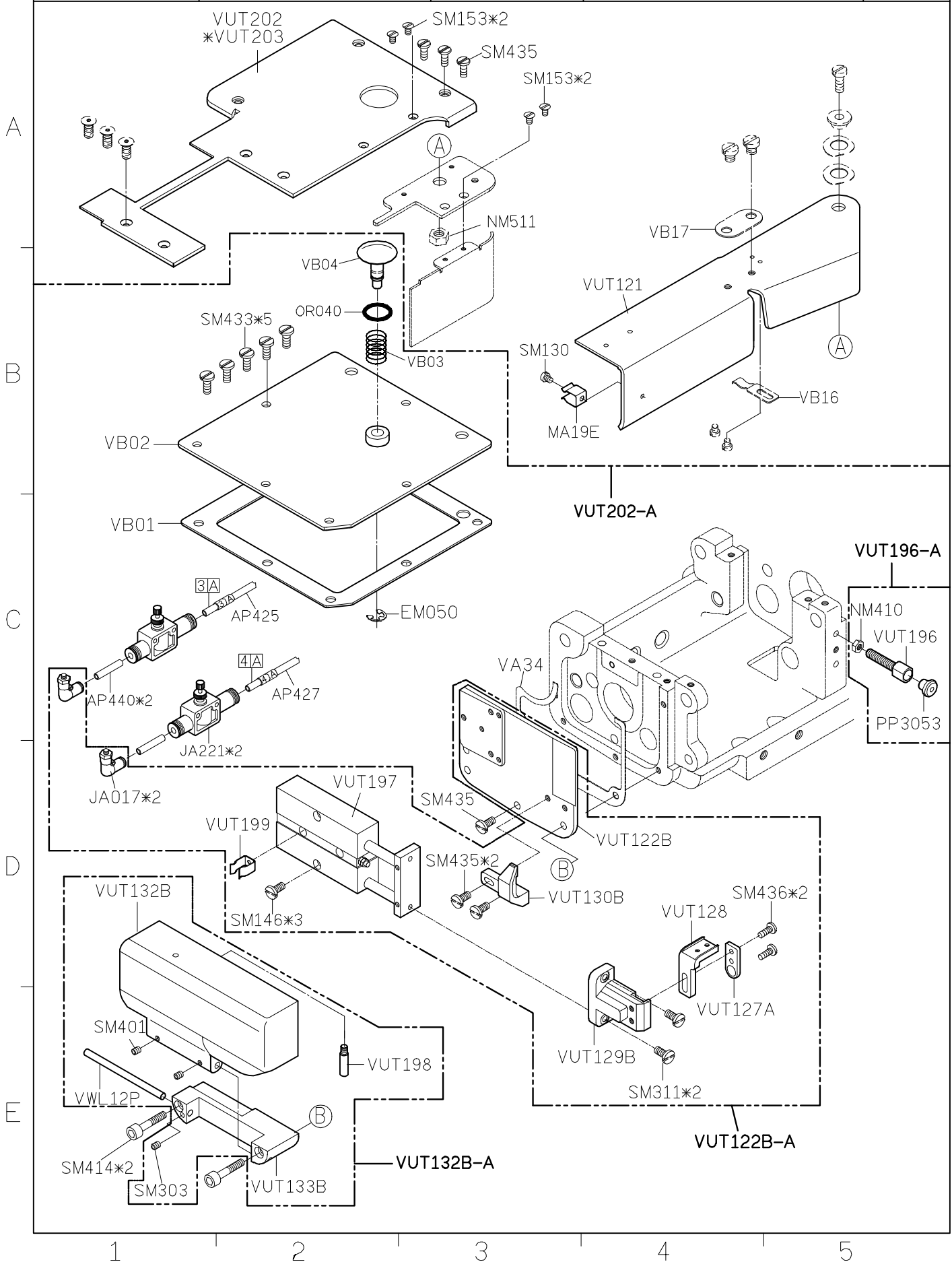
<b>SIRUBA</b> <b>PARTS LIST</b>	<b>Series</b>	<b>Parts Group</b>	<b>Subclass / Remark</b>	<b>Page</b>
	<b>VC008</b>	<b>VSQ</b>		15/15
				<b>Date</b>
				2012/08/23

OPTION:VZ09-A2

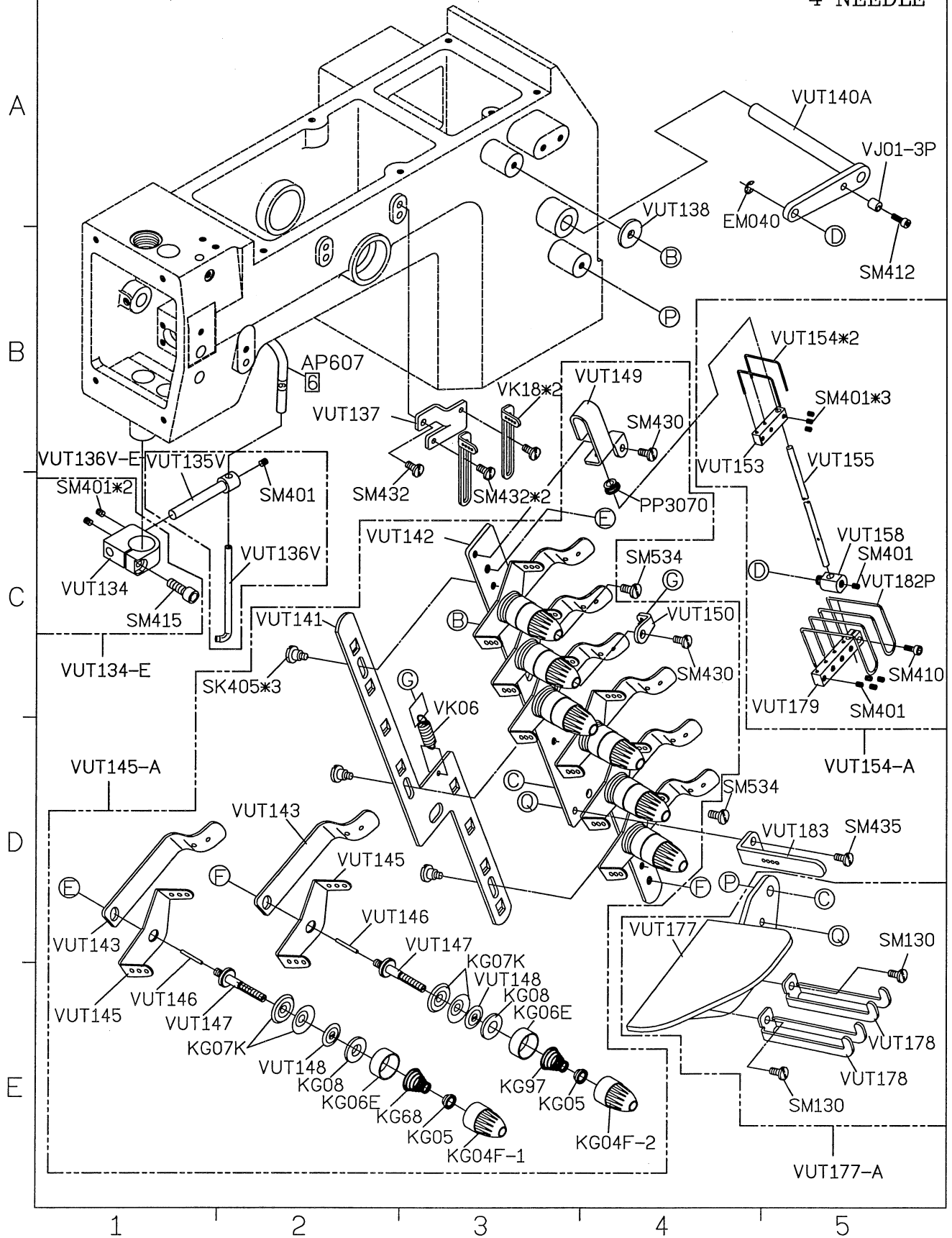




SIRUBA PARTS LIST	Series	Parts Group	Subclass / Remark	Page
	VC008	VUT		2/7
				Date
				2012/08/21



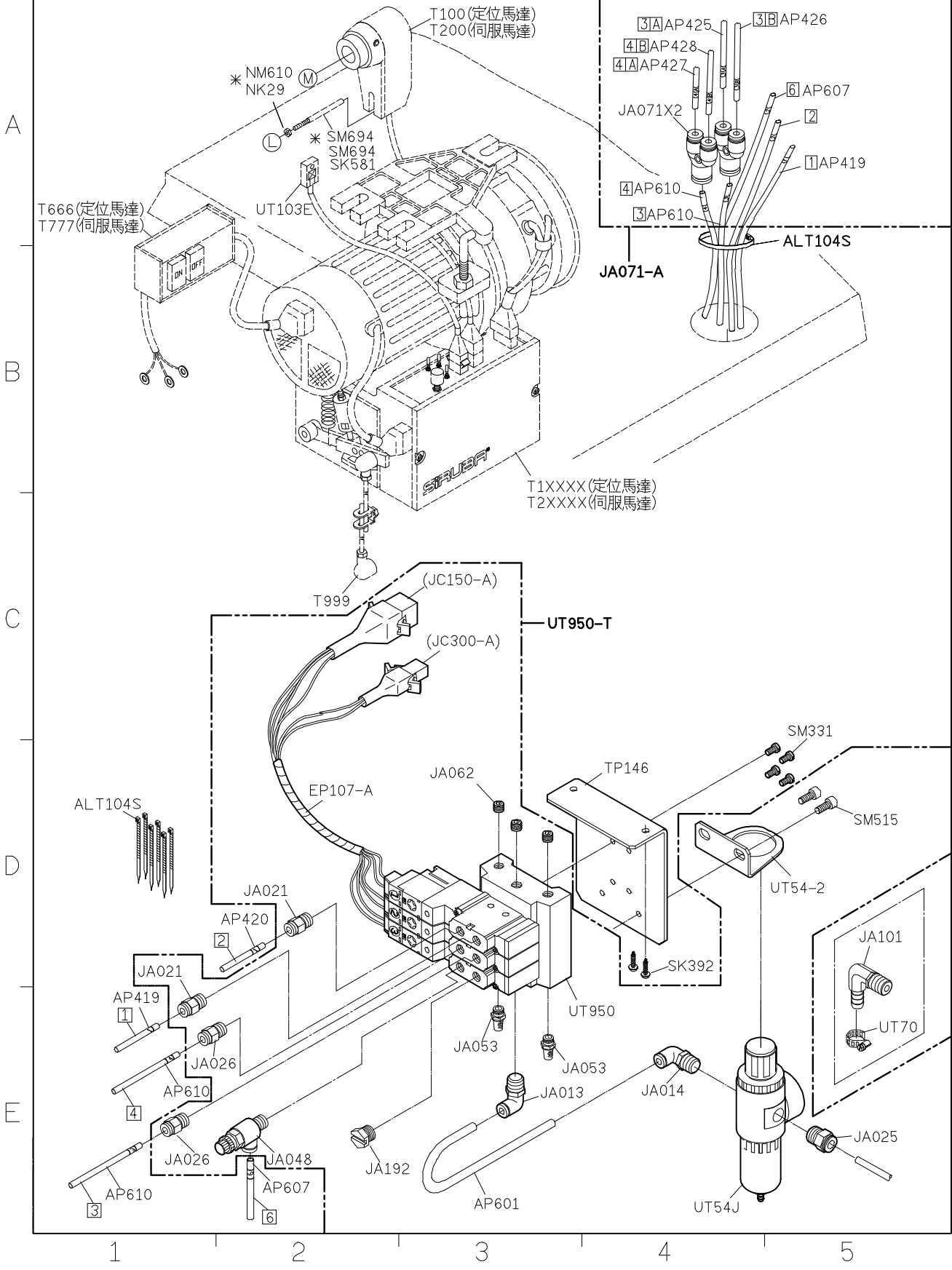
4 NEEDLE







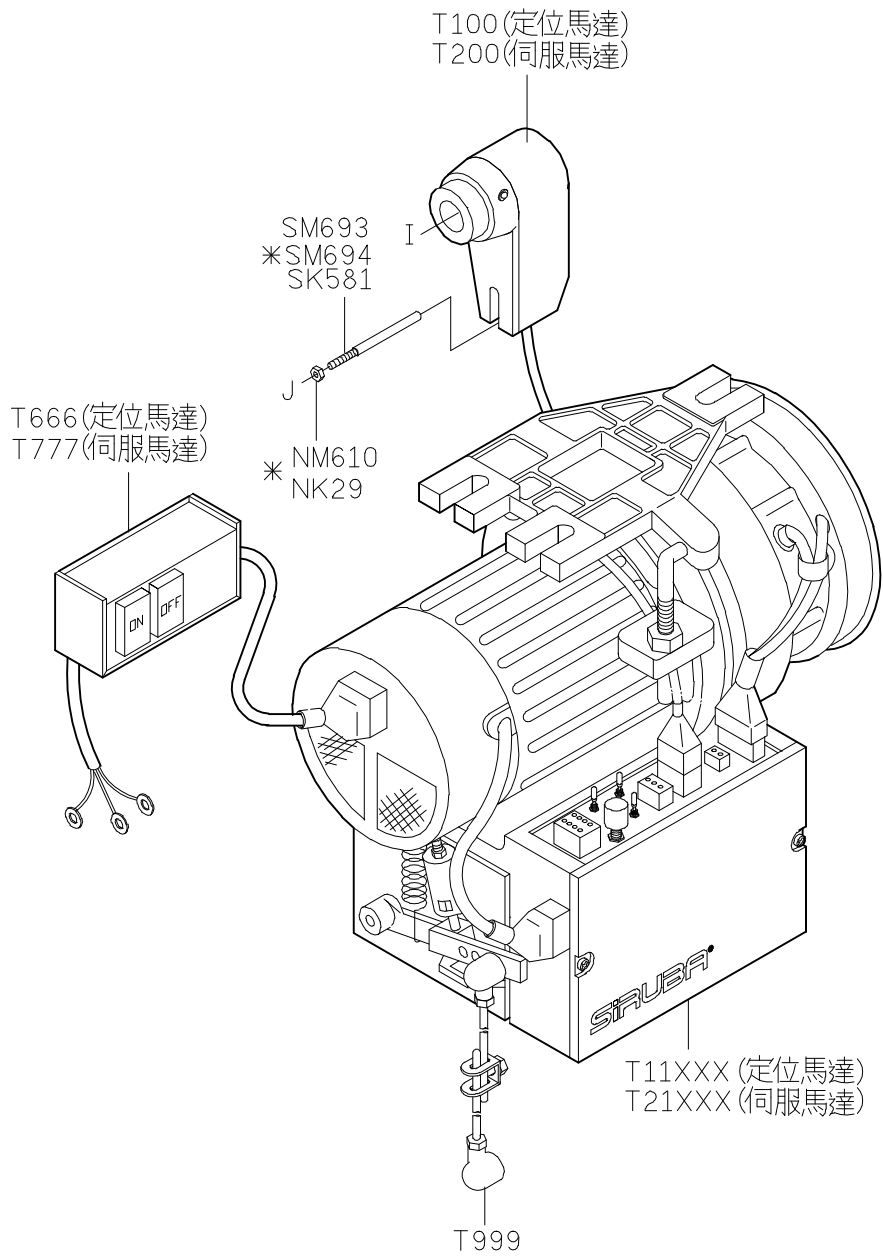
<b>SIRUBA</b> <b>PARTS LIST</b>	<b>Series</b>	<b>Parts Group</b>	<b>Subclass / Remark</b>	<b>Page</b>
	<b>VC008</b>	<b>VUT</b>		<b>6/7</b>
				<b>Date</b>
				<b>2012/03/21</b>



<b>SIRUBA</b> PARTS LIST	Series	Parts Group	Subclass / Remark	Page
	<b>VC008</b>	<b>VUT</b>		7/7
				Date
				2012/08/21

A  
B  
C  
D  
E

1 2 3 4 5



<b>SIRUBA</b>  <b>PARTS LIST</b>	<b>Series</b>		<b>Parts Group</b>	<b>Subclass Remark</b>	<b>Page</b>
	<b>VC008</b>		<b>VWL/VWLB</b>		<b>1/4</b>
			<b>VWLC</b>		<b>Date</b>
					<b>2013/09/23</b>

PARTS NO.	VWL39	VWL39P
PARTS NO.	VWL40	VWL41

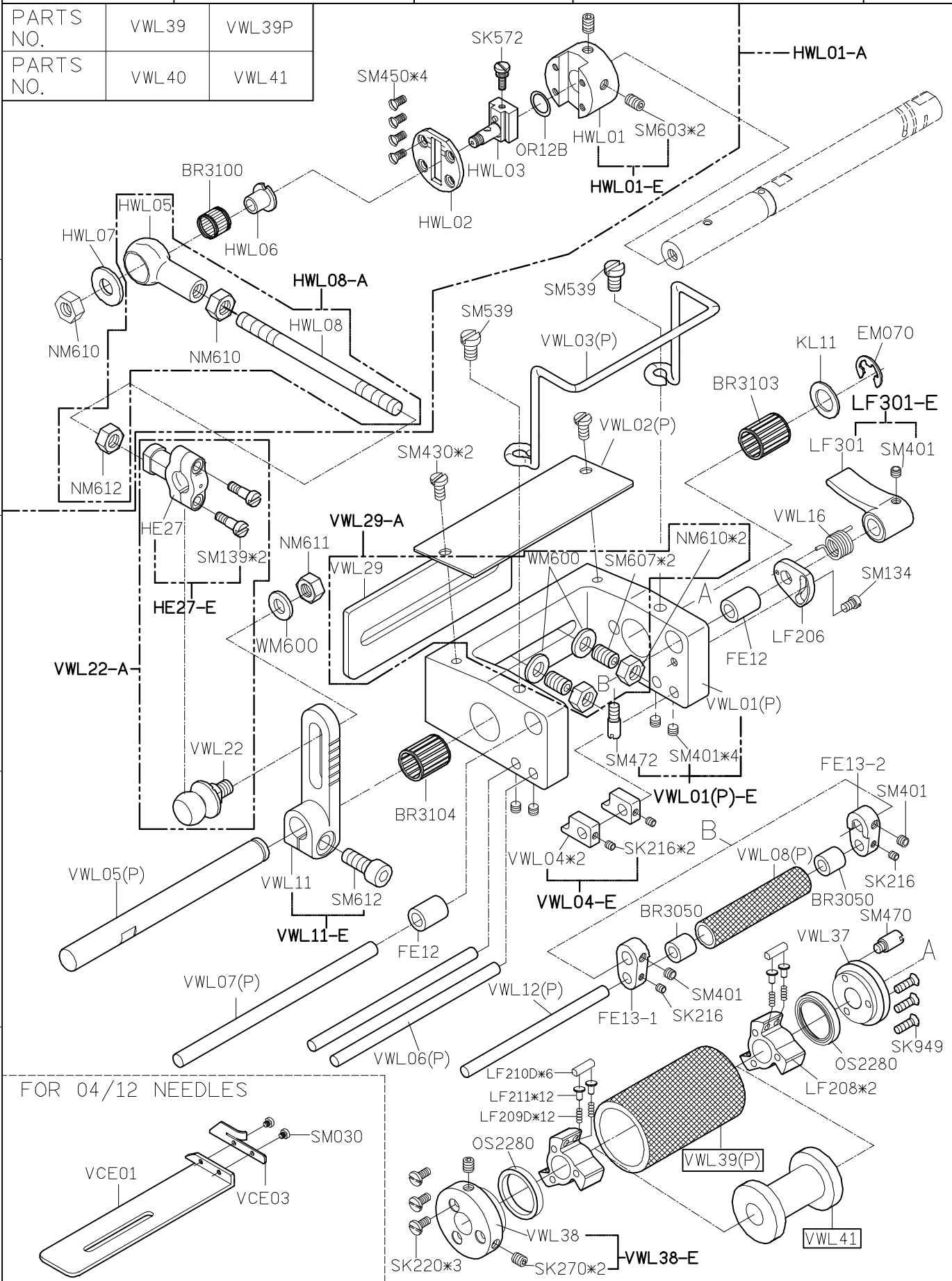
A

B

C

D

E



1

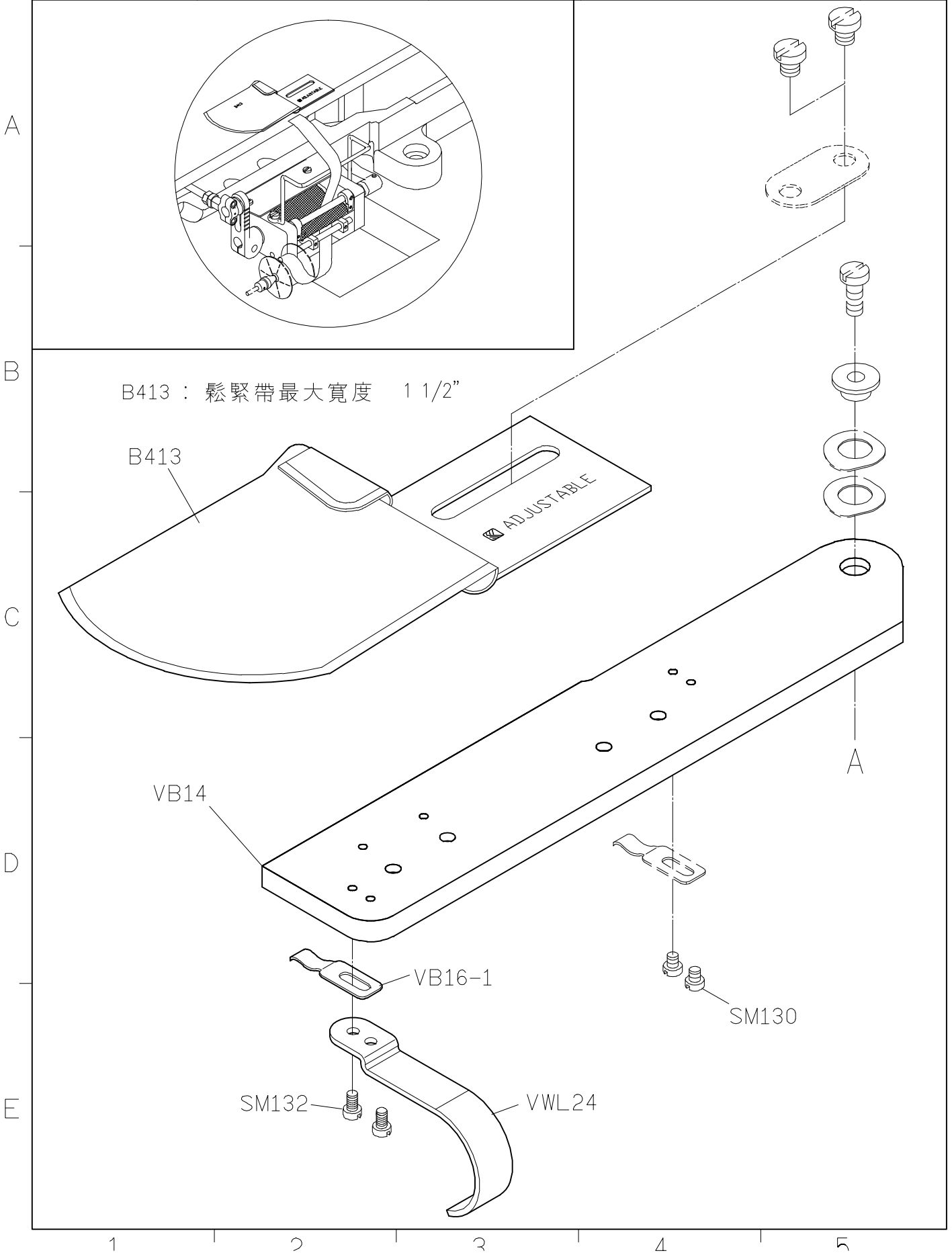
2

3

4

5

SIRUBA PARTS LIST	Series	Parts Group	Subclass / Remark	Page
	VC008	VWL		2/4
				Date
				2014/05/23





SIRUBA PARTS LIST	Series	Parts Group	Subclass / Remark	Page
	VC008	VWLB		4/4
				Date
				2012/08/23

OPTION:RLP02-A

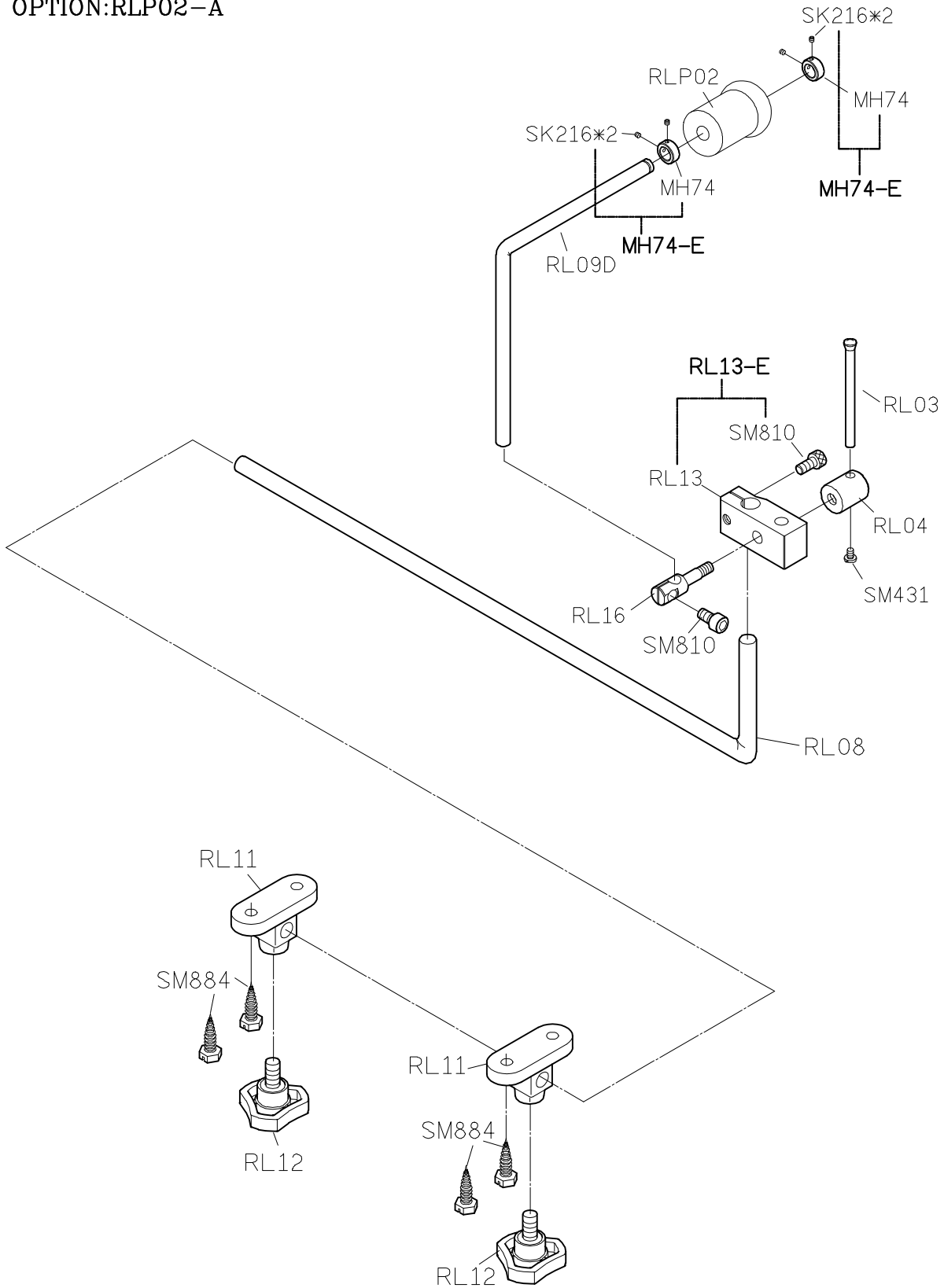
A

B

C

D

E



1

2

3

4

5