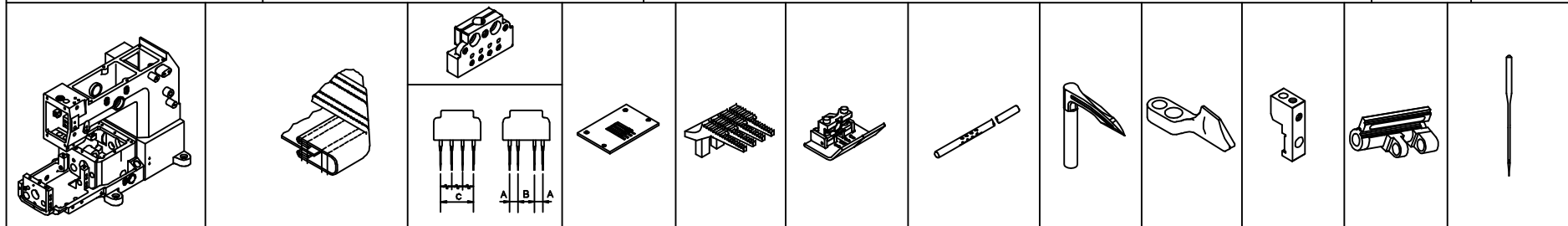
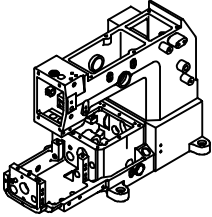
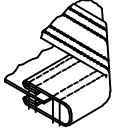






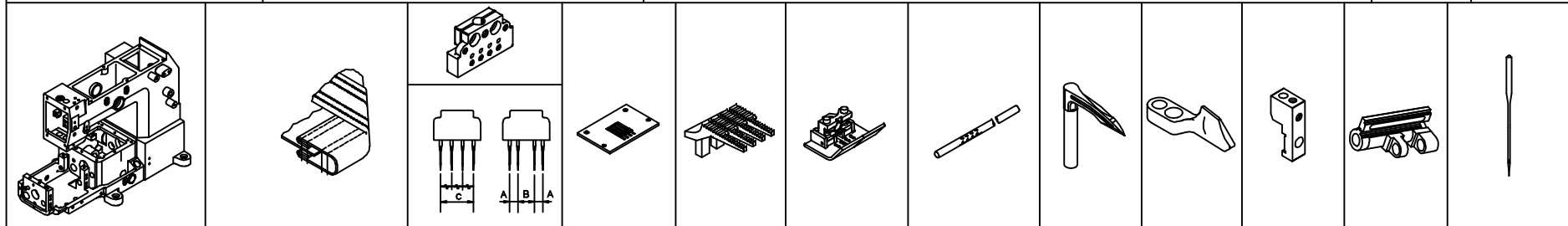
SIRUBA GAGE PARTS LIST	Series		Remark										Page	Date
	VC008		*VPT:適用於VC008-12XXX applicable to VC008-12XXX *VWL:適用於VC008-04XXX applicable to VC008-04XXX										1 / 5	2022/07/18



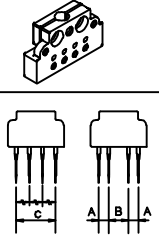








機 型 MODEL	規格 SVB CLASS	種 類 NEEDLE GAUGE	針 座 NEEDLE HOLDER	針板 NEEDLE PLATE	送 具 FEED DOG	押 具 PRESSER FOOT	撥線軸 RETAINER HOLDER	勾 針 LOOPER	護針片 NEEDLE GUARD	勾針座 LOOPER HOLDER	勾針座台 LOOPER HOLDER BLOCK	針 號 NEEDLE
VC008-02/VMR	064P	1/4"	M9002	E9002D	D9002	P9002	R9002	VE51	VE49	L9002	VE11Q	UOX113GS #11~#14
VC008-04	064P	3/4"	M9004	E9004D	D9004	P9004	R9004	VE51	VE49	L9004	VE11Q	UOX113GS #11~#14
	085P	1"	M9104	E9104D	D9104	P9104	R9104	VE51	VE49	L9104	VE11Q	UOX113GS #11~#14
	095P	1 1/8"	M9204	E9204D	D9204	P9204	R9204	VE51	VE49	L9204	VE11Q	UOX113GS #11~#14
	106P	1 1/4"	M9304	E9304D	D9304	P9304	R9304	VE51	VE49	L9304	VE11Q	UOX113GS #11~#14
	127P	1 1/2"	M9404	E9404D	D9404	P9404	R9404	VE51	VE49	L9404	VE11Q	UOX113GS #11~#14
VC008-04/VUT	064P	3/4"	M9004	E9004D	D9004P	P9004	VUT109P	VE51	VE49	L9004	VE11Q	UOX113GS #11~#14
	085P	1"	M9104	E9104D	D9104P	P9104	VUT109P	VE51	VE49	L9104	VE11Q	UOX113GS #11~#14
	095P	1 1/8"	M9204	E9204D	D9204P	P9204	VUT109P	VE51	VE49	L9204	VE11Q	UOX113GS #11~#14
	106P	1 1/4"	M9304	E9304D	D9304P	P9304	VUT109P	VE51	VE49	L9304	VE11Q	UOX113GS #11~#14

SIRUBA GAGE PARTS LIST		Series				Remark							Page	Date
		VC008				*VPT:適用於VC008-12XXX *VWL:適用於VC008-04XXX applicable to VC008-12XXX applicable to VC008-04XXX							2 / 5	2022/07/18
														
機 型 MODEL	規格 SVB CLASS	種 類 NEEDLE GAUGE	針 座 NEEDLE HOLDER	針板 NEEDLE PLATE	送 具 FEED DOG	押 具 PRESSER FOOT	撥線軸 RETAINER HOLDER	勾 針 LOOPER	護針片 NEEDLE GUARD	勾針座 LOOPER HOLDER	勾針座台 LOOPER HOLDER BLOCK	針 號 NEEDLE		
VC008-04/VUT	127P	1 1/2"	M9404	E9404D	D9404P	P9404	VUT109P	VE51	VE49	L9404	VE11Q	UOX113GS #11~#14		
VC008-04A	64P	1/4"	M9213	E9213	D9213	P9213D	R9213	VE51	VE49	L9002	VE11Q	UOX113GS*4 #11~#14		
VC008-04A32	032P	(1/4-1/8-1/8 1/4)*3	M9113	E9113	D9113	P9113D	R9113	VE51T	VE49T	L9119T-E	VE11Q	UOX113GS #11~#14		
VC008-06/VPL	048P	3/16"	M9012	E9012	D9012	P9412D	R9012	VE51	VE49	L9012	VE11Q	UOX113GS #11~#14		
VC008-06/VPL	064P	1/4"	M9112	E9112	D9112	P9512D	R9112	VE51	VE49	L9112	VE11Q	UOX113GS #11~#14		
VC008-06/VPL	064P	1/2"	M9112	E9112	D9112	P9512B	R9112	VE51	VE49	L9112	VE11Q	UOX113GS #11~#14		
VC008-06/VUT	064P	1/4"	M9112	E9112	D9112	P9112D	VUT109P	VE51	VE49	L9112	VE11Q	UOX113GS #11~#14		
VC008-06	048P	3/16"	M9012	E9012	D9012	P9412D	R9012	VE51	VE49	L9012	VE11Q	UOX113GS #11~#14		
VC008-08/VUT	064P	1/4"	M9108	E9108	D9108	P9108	VUT109P	VE51	VE49	L9112	VE11Q	UOX113GS #11~#14		
VC008-1132	064P	1/8-1/4-1/8"	M9313	E9211	D9211JK	P9211-A P9211A-A	R9313	VE51T	VE49T	L9113T-E	VE11Q	UOX113GS #11~#14		
VC008-12	048P	3/16"	M9012	E9012	D9012	P9012D	R9012	VE51	VE49	L9012	VE11Q	UOX113GS #11~#14		

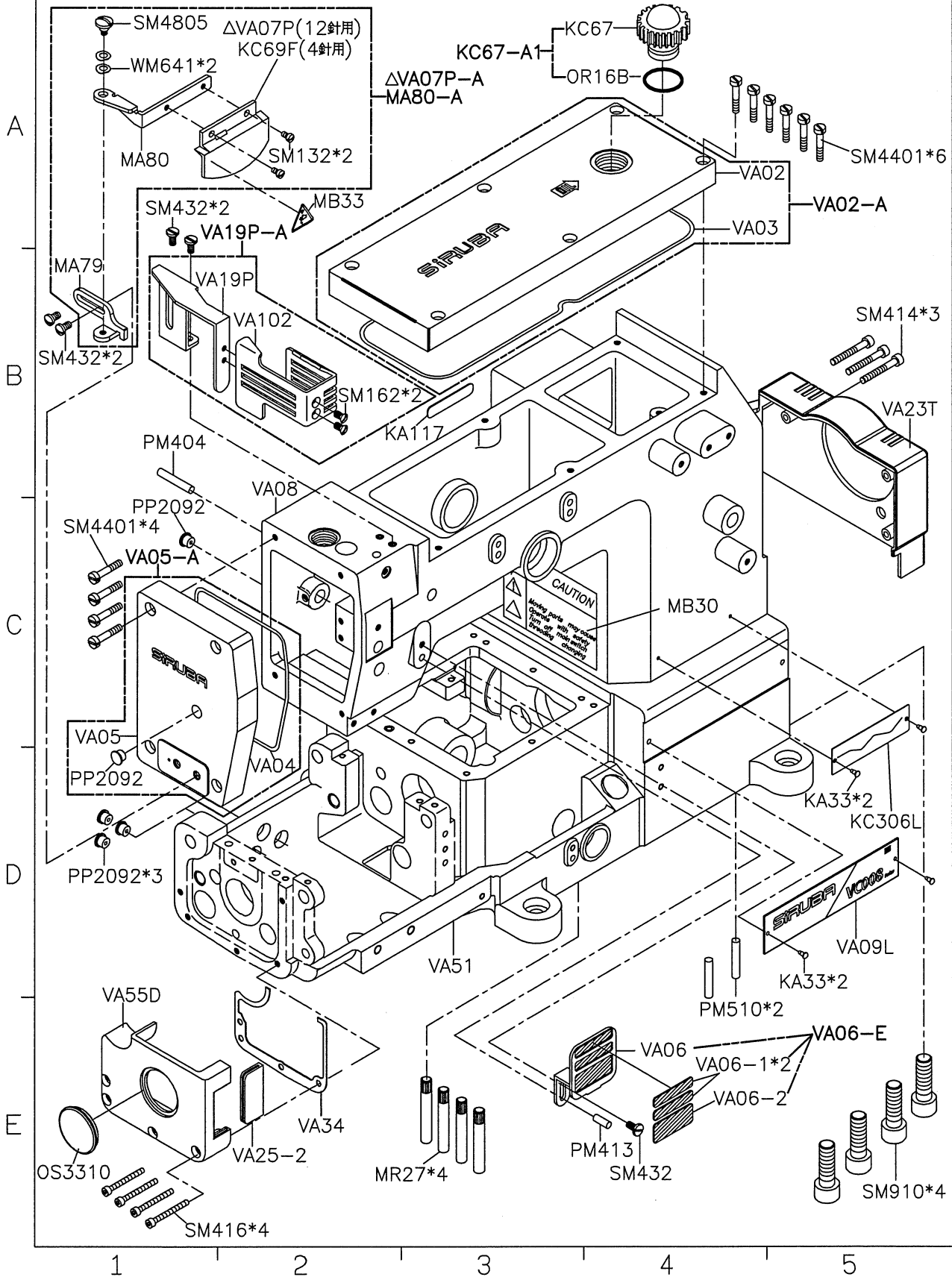
SIRUBA GAGE PARTS LIST	Series		Remark										Page	Date
	VC008		*VPT:適用於VC008-12XXX *VWL:適用於VC008-04XXX applicable to VC008-12XXX applicable to VC008-04XXX										3 / 5	2022/07/18

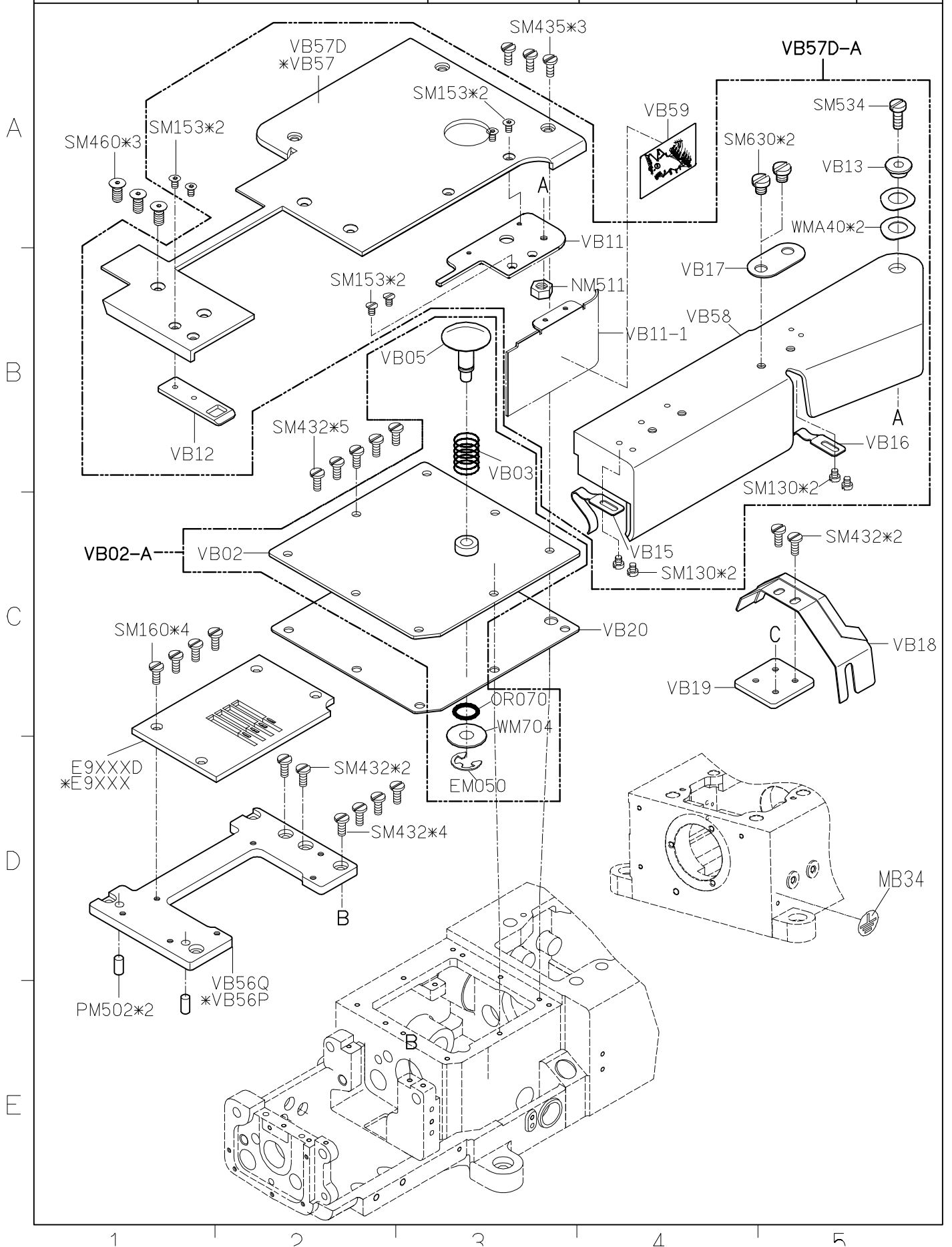


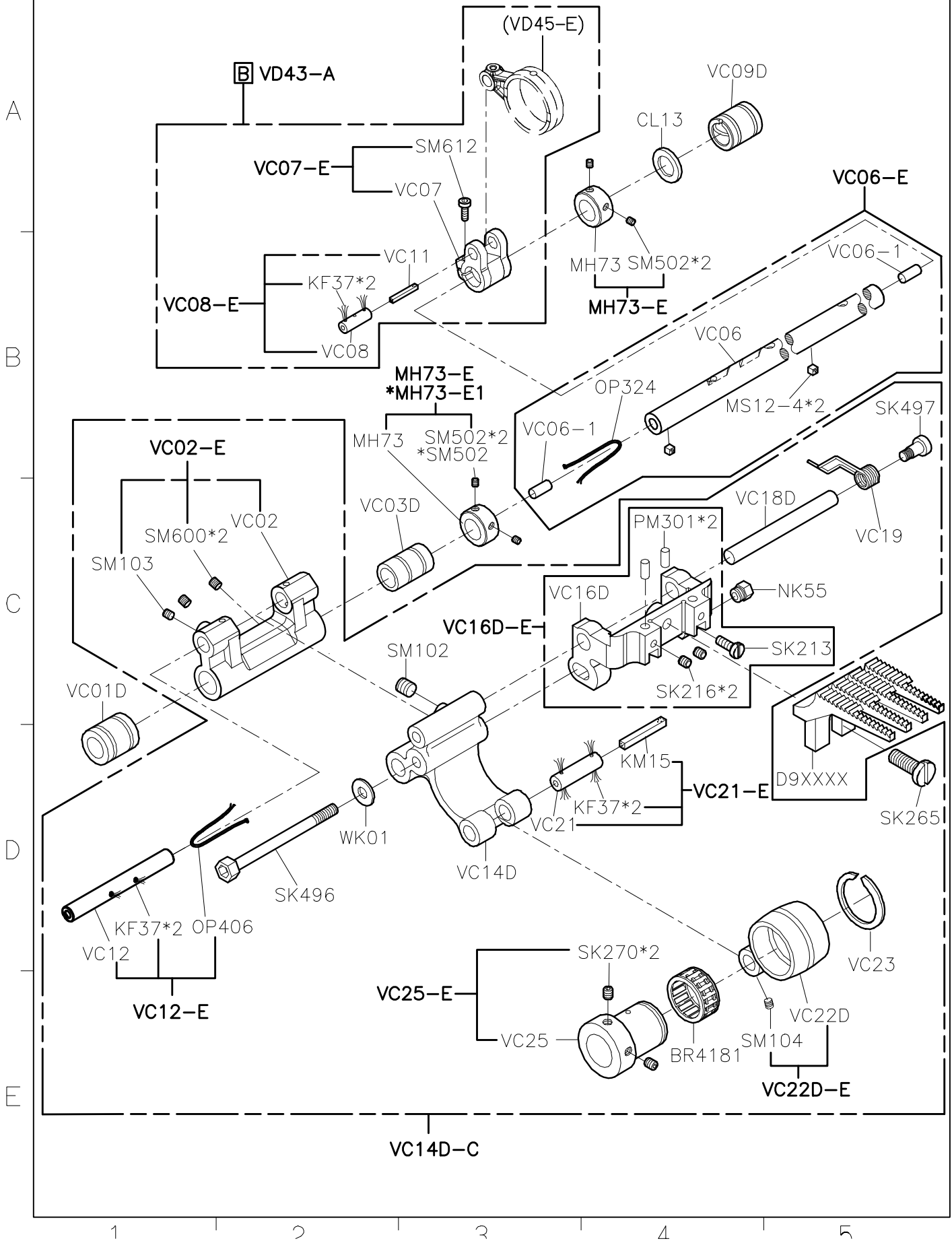
機 型 MODEL	規格 SVB CLASS	種 類 NEEDLE GAUGE	針 座 NEEDLE HOLDER	針板 NEEDLE PLATE	送 具 FEED DOG	押 具 PRESSER FOOT	撥線軸 RETAINER HOLDER	勾 針 LOOPER	護針片 NEEDLE GUARD	勾針座 LOOPER HOLDER	勾針座台 LOOPER HOLDER BLOCK	針 號 NEEDLE
VC008-12	050P	5mm	M9612	E9612	D9612	P9612D	R9612	VE51	VE49	L9612	VE11Q	UOX113GS #11~#14
	064P	1/4"	M9112	E9112	D9112	P9112D	R9112	VE51	VE49	L9112	VE11Q	UOX113GS #11~#14
VC008-12/VPQ	064P	1/4"	M9112	E9312	D9312	P9312	R9112	VE51Q	VE49	L9112	VE11Q	UOX113GS #11~#14
	048P	3/16"	M9012	E9212	D9212	P9212	R9012	VE51Q	VE49	L9012	VE11Q	UOX113GS #11~#14
VC008-12/VPQK	064P	1/4"	M9112	E9312	D9312	P9312	R9112	VE51Q	VE49	L9112	VE11Q	UOX113GS #11~#14
VC008-12/VPQK	048P	3/16"	M9012	E9212	D9212	P9212	R9012	VE51Q	VE49	L9012	VE11Q	UOX113GS #11~#14
VC008-12/VPS	048P	3/16"	M9012	E9212A	D9212	P9212B	——	VSM47	——	L9012	VE11Q	DV-K25 #18~#21
	064P	1/4"	M9112	E9312A	D9312	P9312B	——	VSM47	——	L9112	VE11Q	DV-K25 #18~#21
VC008-12/VPL	064P	1/4"	M9112	E9112	D9112	P9712D	R9112	VE51	VE49	L9112	VE11Q	UOX113GS #11~#14
VC008-12/VPT	048P	3/16"	M9012	E9012	D9012	P9012D	R9012	VE51	VE49	L9012	VE11Q	UOX113GS #11~#14
	064P	1/4"	M9112	E9112	D9112	P9112D	R9112	VE51	VE49	L9112	VE11Q	UOX113GS #11~#14

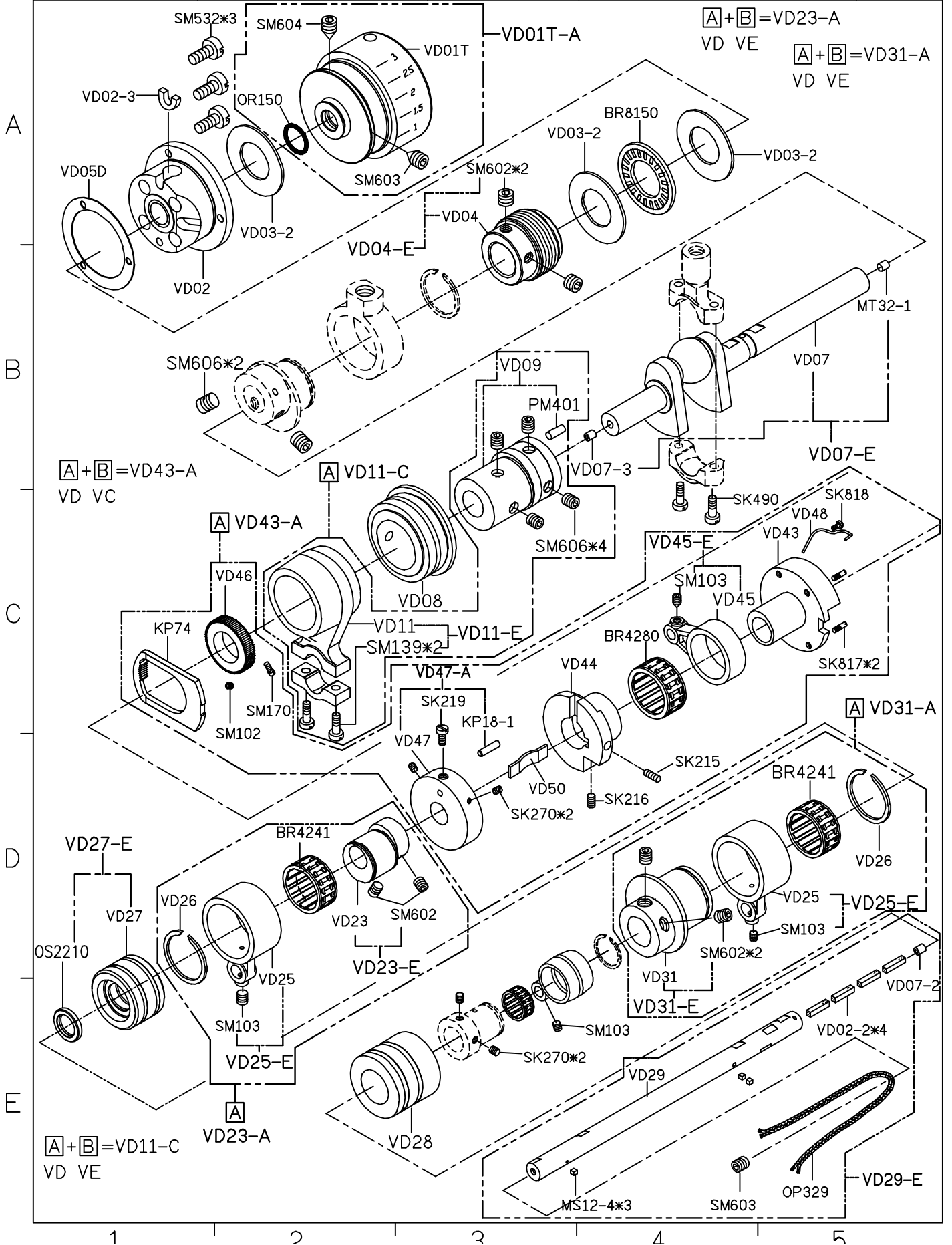
SIRUBA GAGE PARTS LIST		Series			Remark								Page	Date
		VC008			*VPT:適用於VC008-12XXX *VWL:適用於VC008-04XXX applicable to VC008-12XXX applicable to VC008-04XXX								4 / 5	2022/07/18
														
機 型 MODEL	規格 SVB CLASS	種 類 NEEDLE GAUGE	針 座 NEEDLE HOLDER	針板 NEEDLE PLATE	送 具 FEED DOG	押 具 PRESSER FOOT	撥線軸 RETAINER HOLDER	勾 針 LOOPER	護針片 NEEDLE GUARD	勾針座 LOOPER HOLDER	勾針座台 LOOPER HOLDER BLOCK	針 號 NEEDLE		
VC008-12/VSM	048P	3/16"	M9012	E9012	D9012	P9012B P9212B	R9012	VE51	VE49	L9012	VE11Q	DVX57 #11~#18		
	064P	1/4"	M9112	E9112	D9112	P9112B P9312B	R9112	VE51	VE49	L9112	VE11Q	DVX57 #11~#18		
VC008-12/VSQ	048P	3/16"	M9012	E9212A	D9212	P9212B	——	VSM47	VE49	L9012	VE11Q	DV-K25 #18		
	064P	1/4"	M9112	E9312A	D9312	P9312B	——	VSM47	VE49	L9112	VE11Q	DV-K25 #18		
VC008-12/VSSM	048P	3/16"	M9012	E9212	D9212	P9212B	R9012	VE51Q	VE49	L9012	VE11Q	DVX57 #11~#18		
VC008-12/VSSM	064P	1/4"	M9112	E9312	D9312	P9312B	R9112	VE51Q	VE49	L9112	VE11Q	DVX57 #11~#18		
VC008-12/VUT	050P	5mm	M9612	E9612	D9612P	P9612D	VUT109P	VE51	VE49	L9612	VE11Q	UOX113GS #11~#14		
VC008-12/VSC	048P	3/16"	M9012	E9012E	D9012E	P9012D	R9012	VE51	VE49	L9012	VE11Q	UOX113GS #11~#14		
VC008-12/VSC	064P	1/4"	M9112	E9112E	D9112E	P9112D	R9112	VE51	VE49	L9112	VE11Q	UOX113GS #11~#14		
VC008-12A32	032P	(1/4-1/8-1/8 1/4)*3	M9113	E9113	D9113	P9113D	R9113	VE51T	VE49T	L9119T-E	VE11Q	UOX113GS #11~#14		
VC008-12A	64P	1/4"	M9213	E9213	D9213	P9213D	R9213	VE51	VE49	L9002	VE11Q	UOX113GS*6 #11~#14		

SIRUBA PARTS LIST	Series	Parts Group	Subclass / Remark	Page
	VC008	VA	ΔFOR 12 NEEDLE	1/2
				Date
				2020/11/03









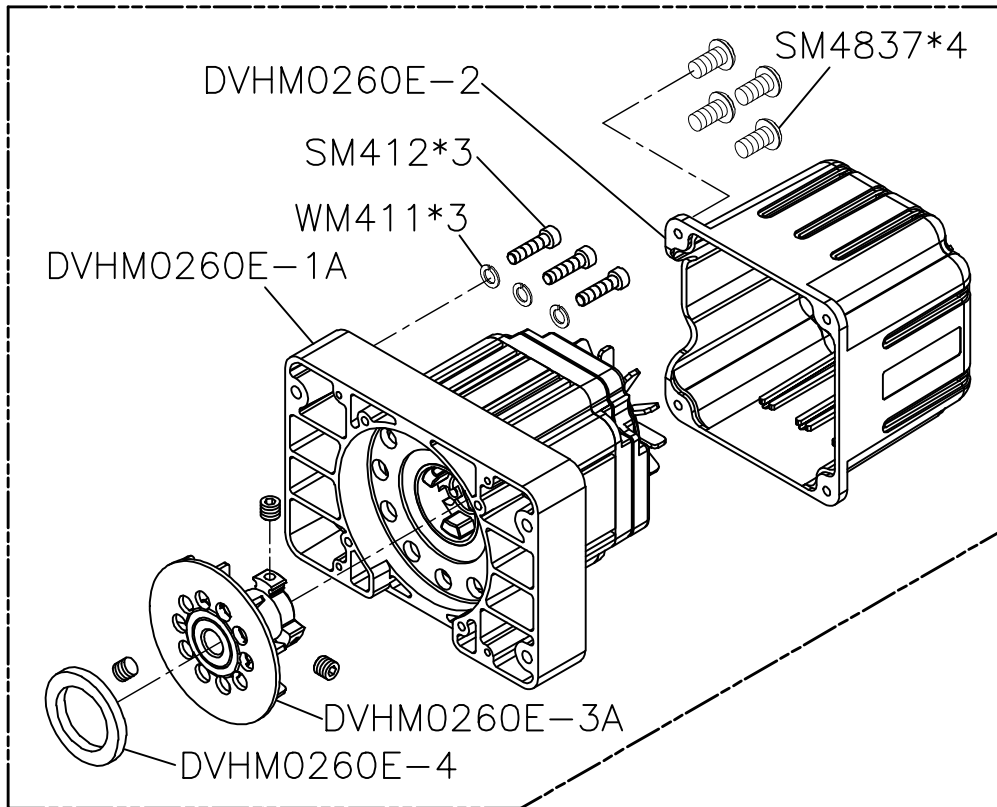
A

B

C

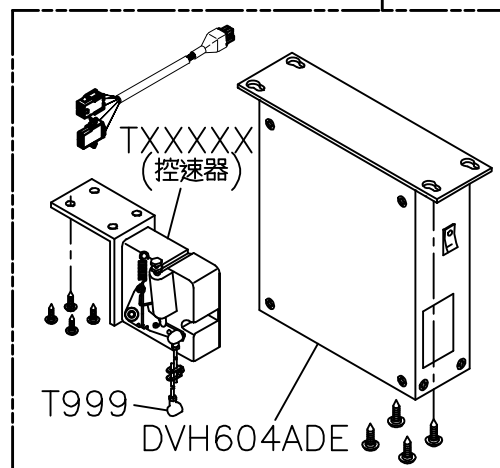
D

E



DVHM0260E-E

DVH604ADE-E



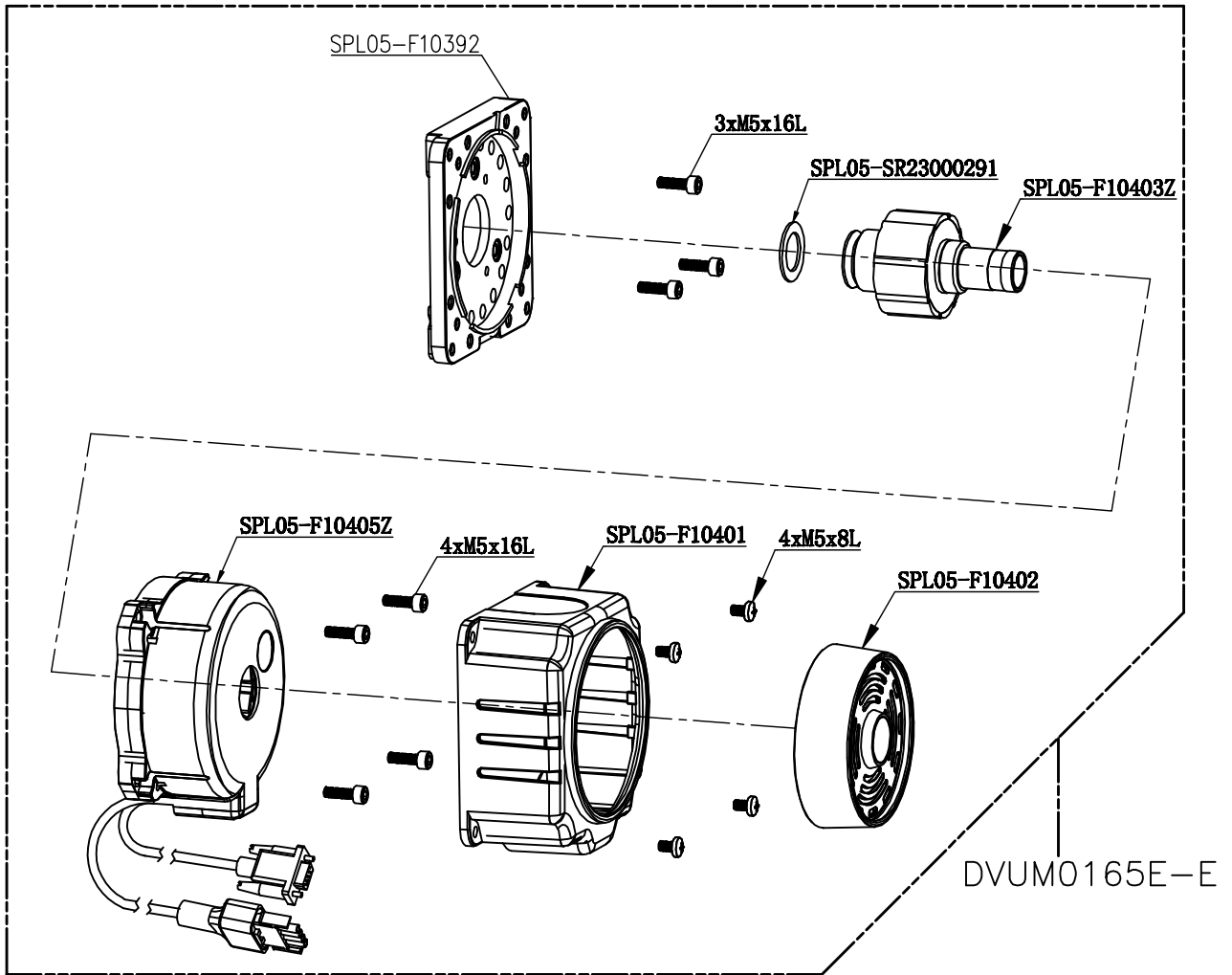
A

B

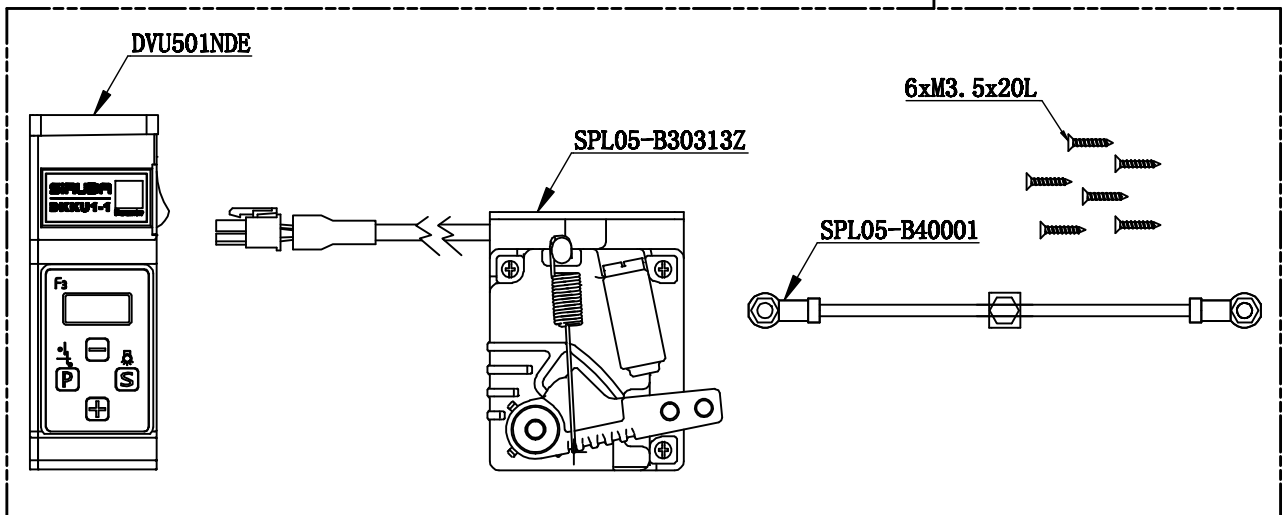
C

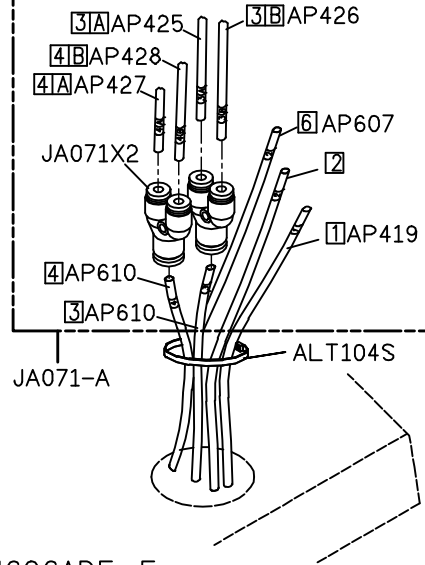
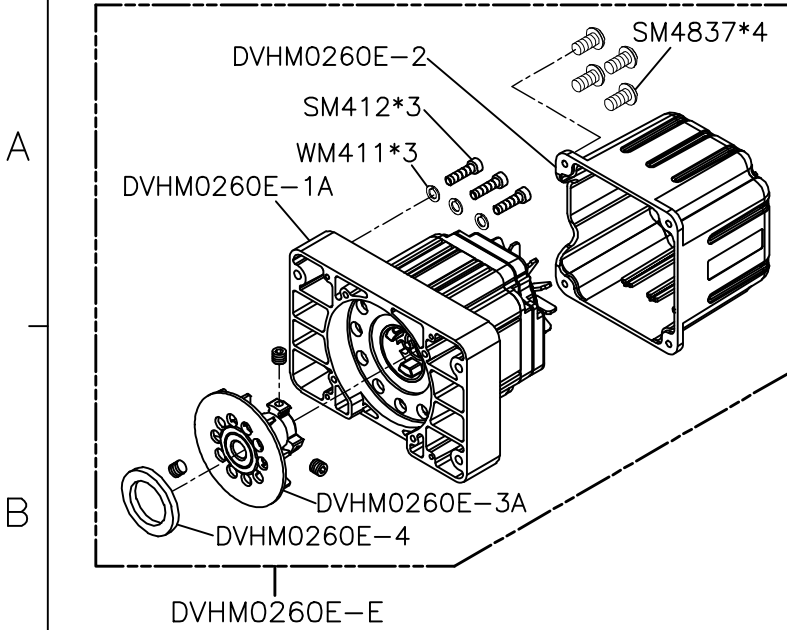
D

E

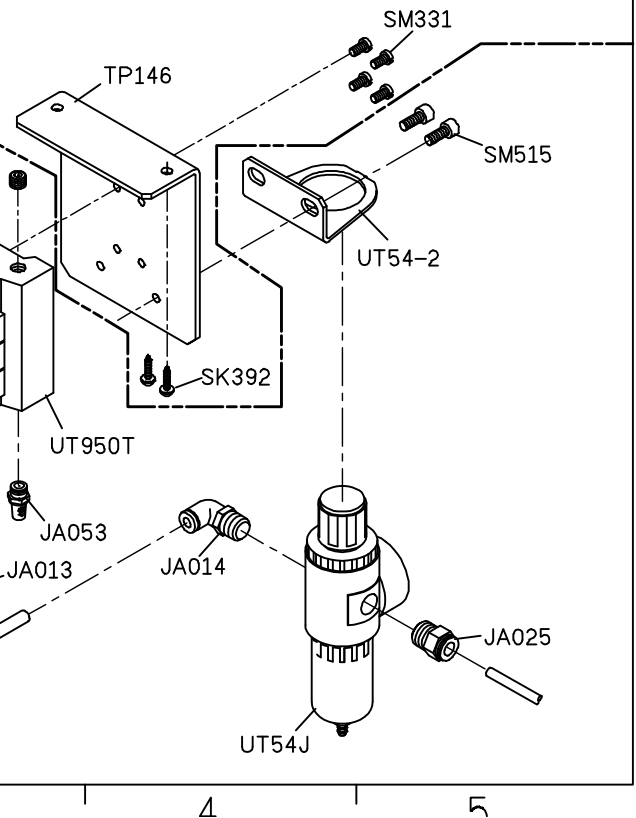
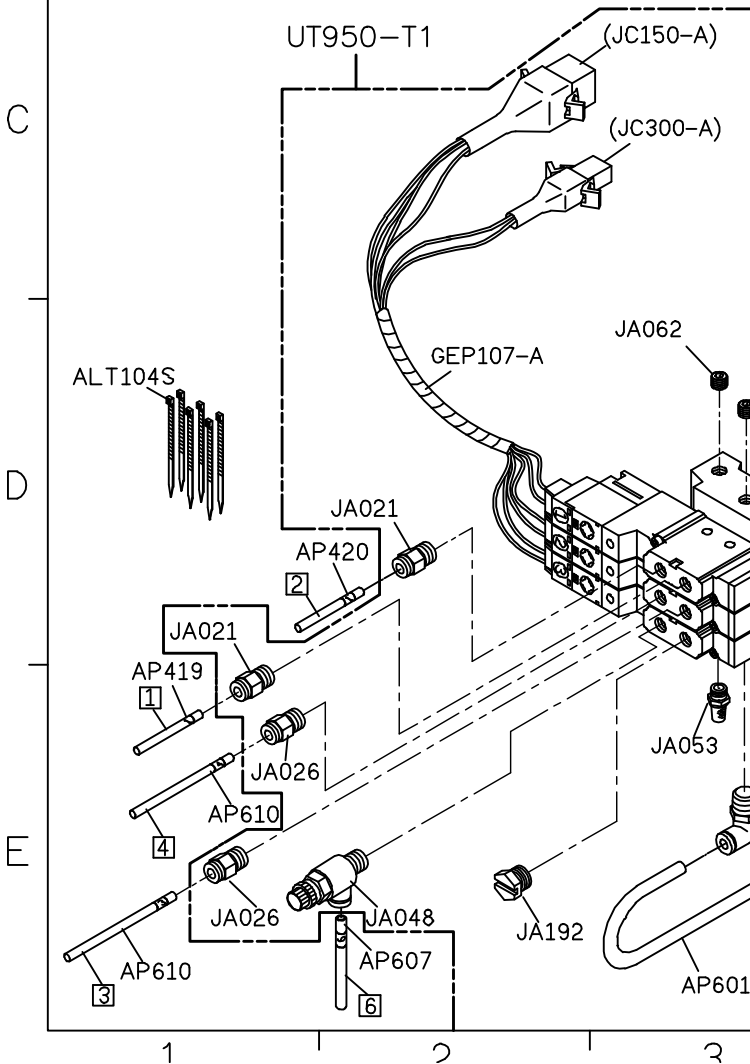
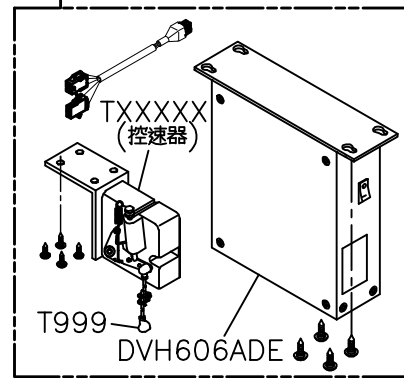


DVU501NDE-E





DVH606ADE-E



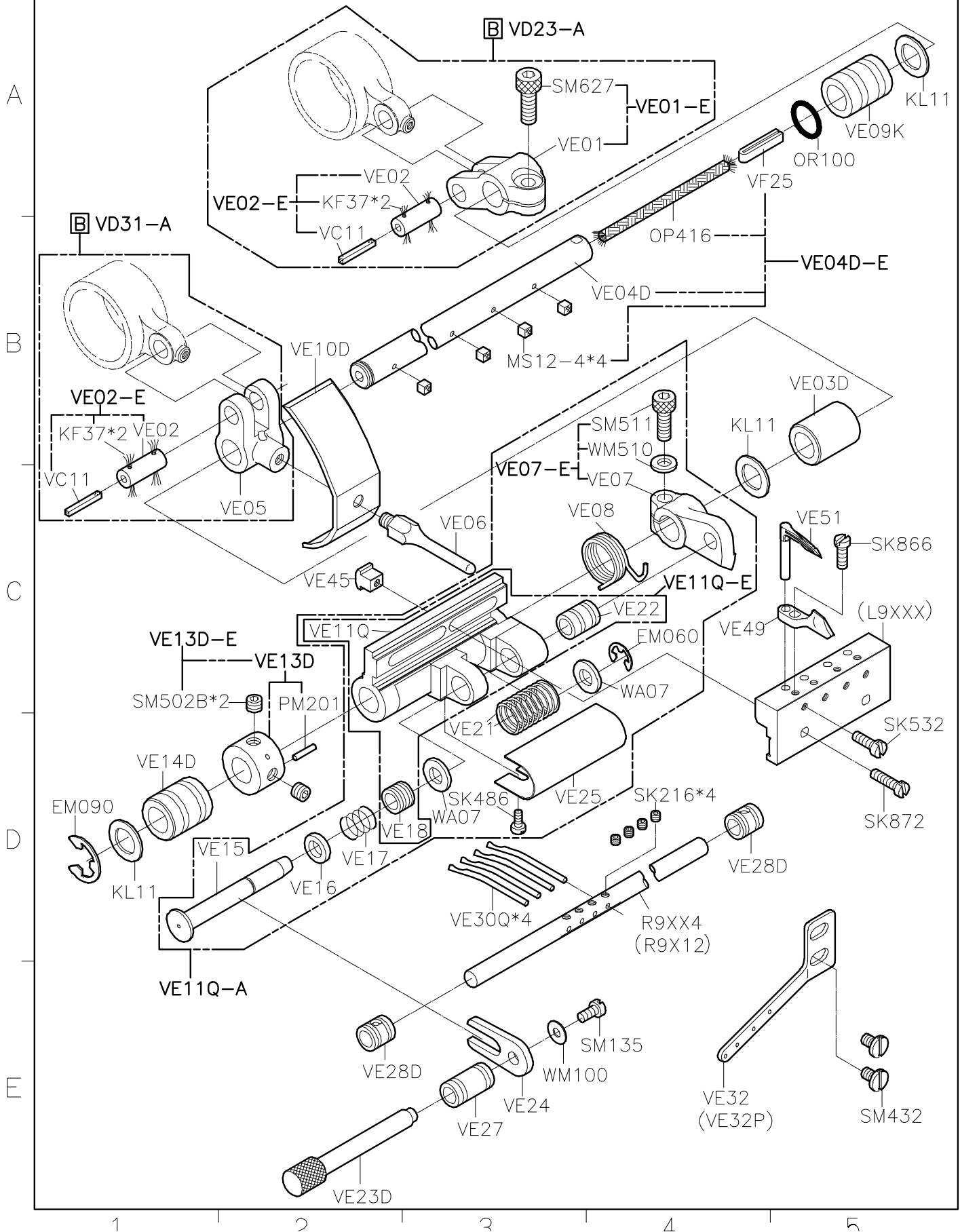
1

2

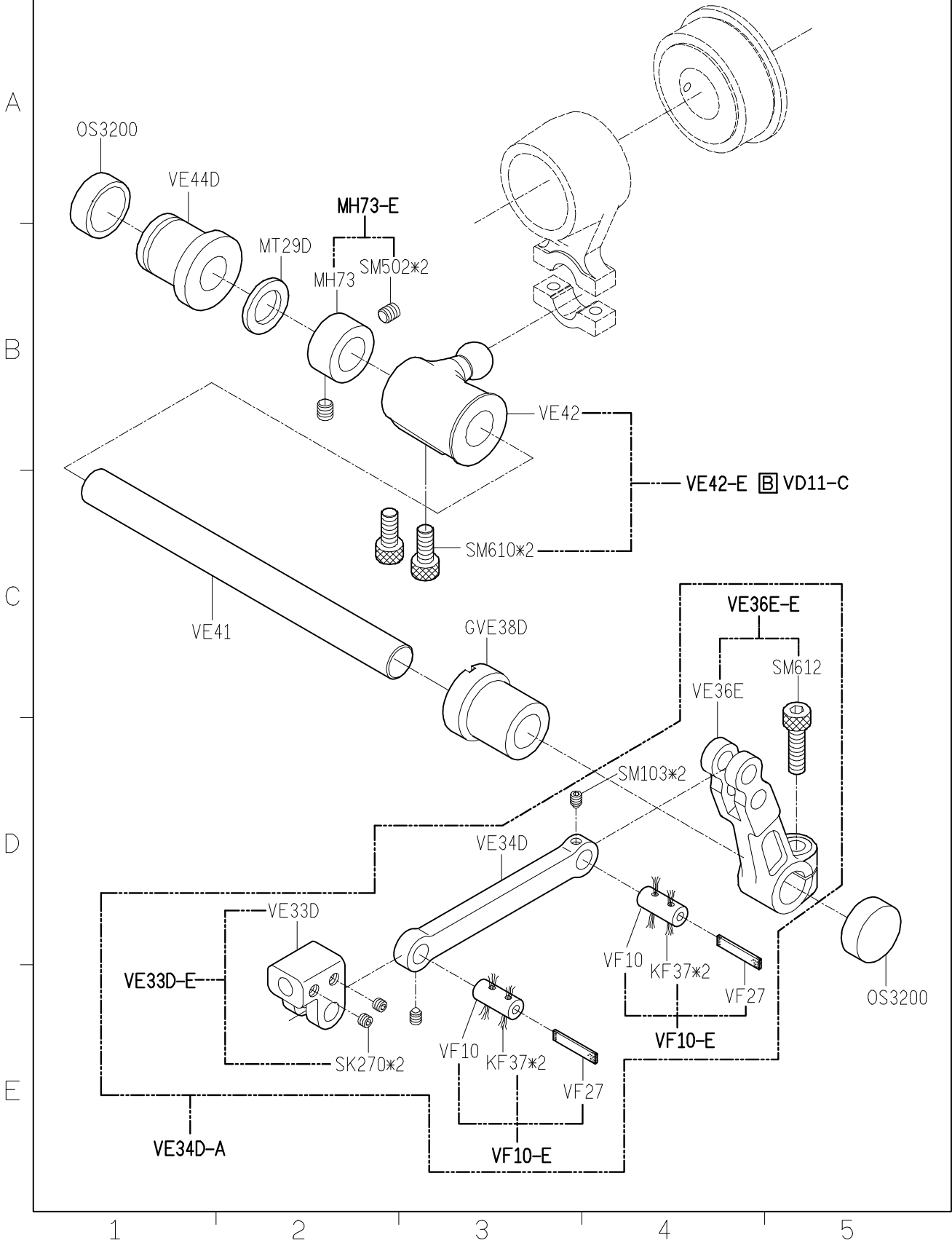
3

4

5

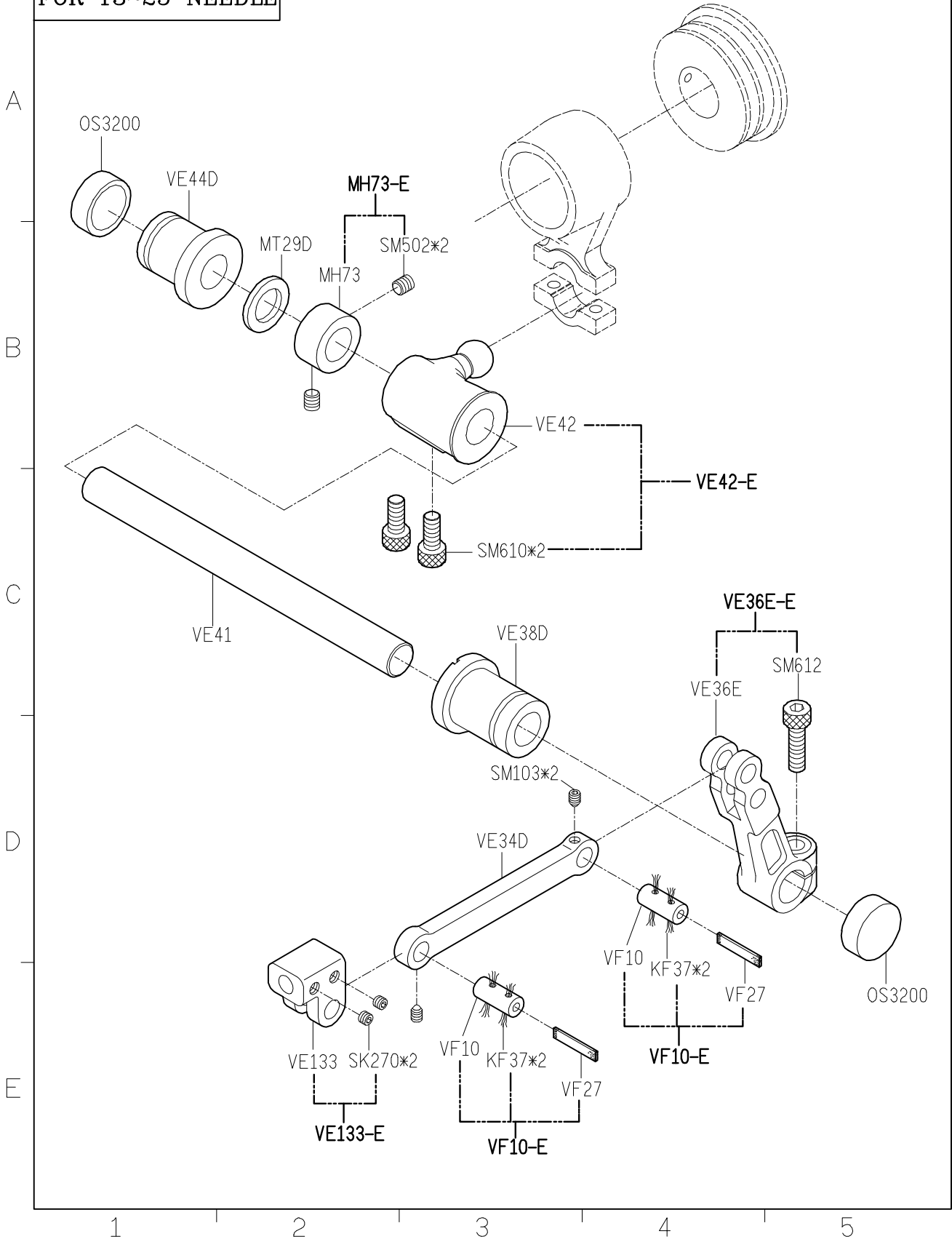


SIRUBA PARTS LIST	Series	Parts Group	Subclass / Remark	Page
	VC008	VE		2/4
				Date
				2012/08/23

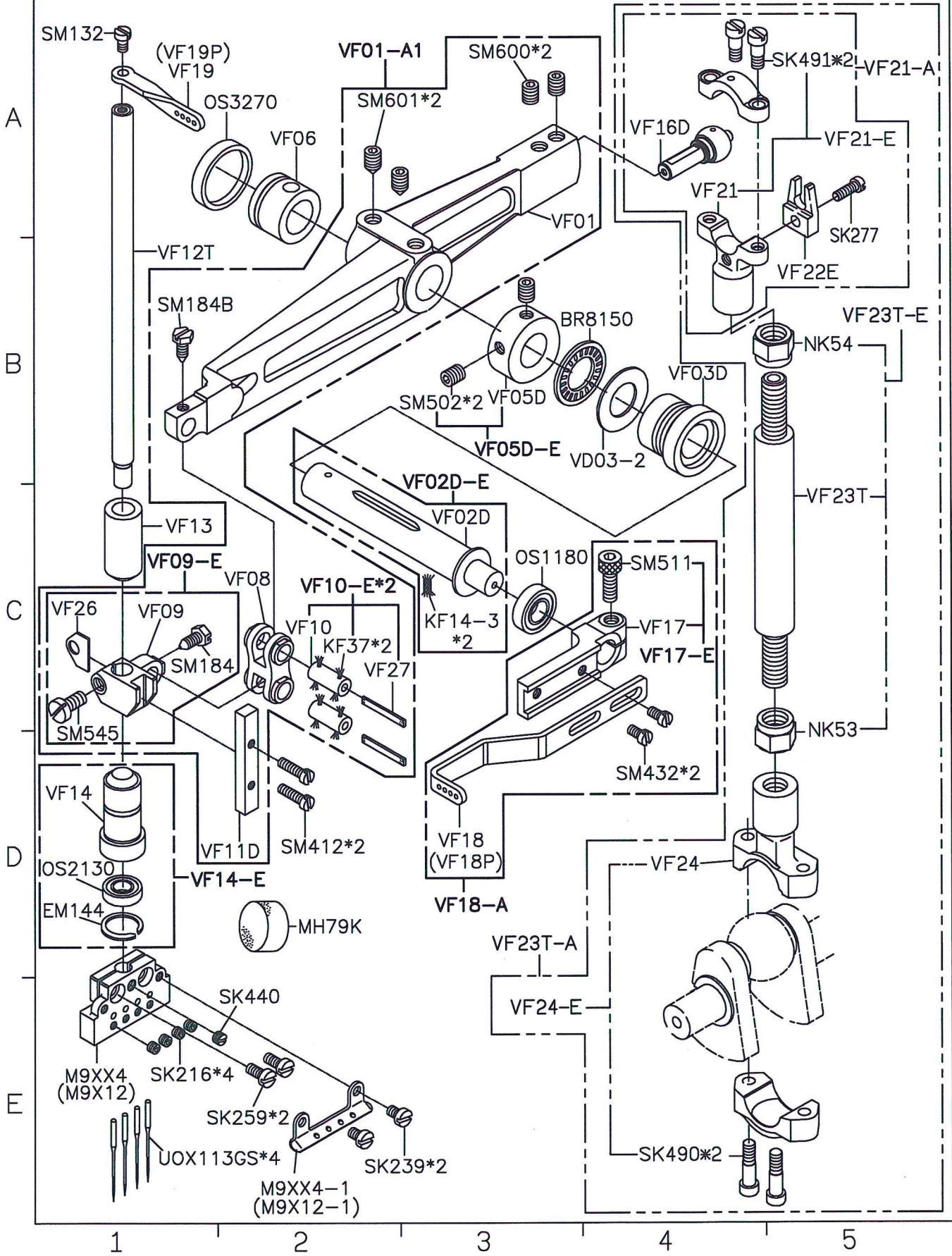


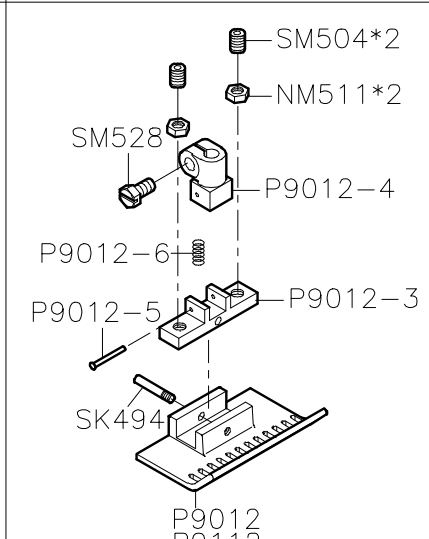
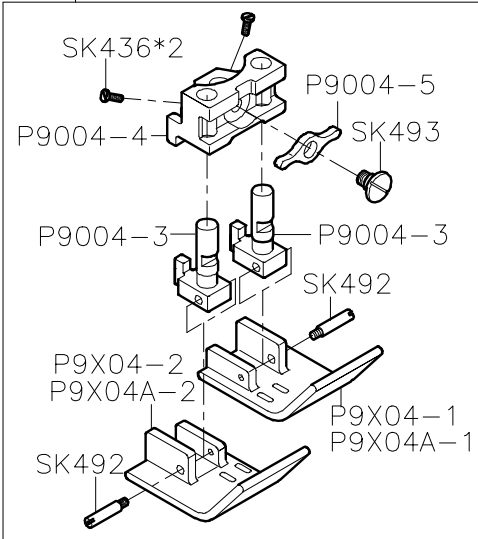
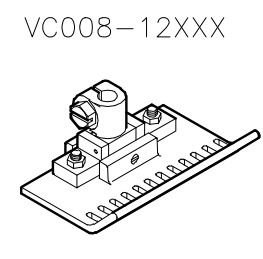
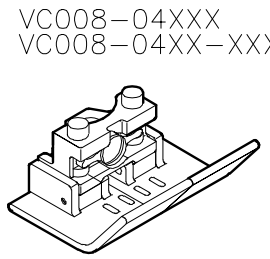
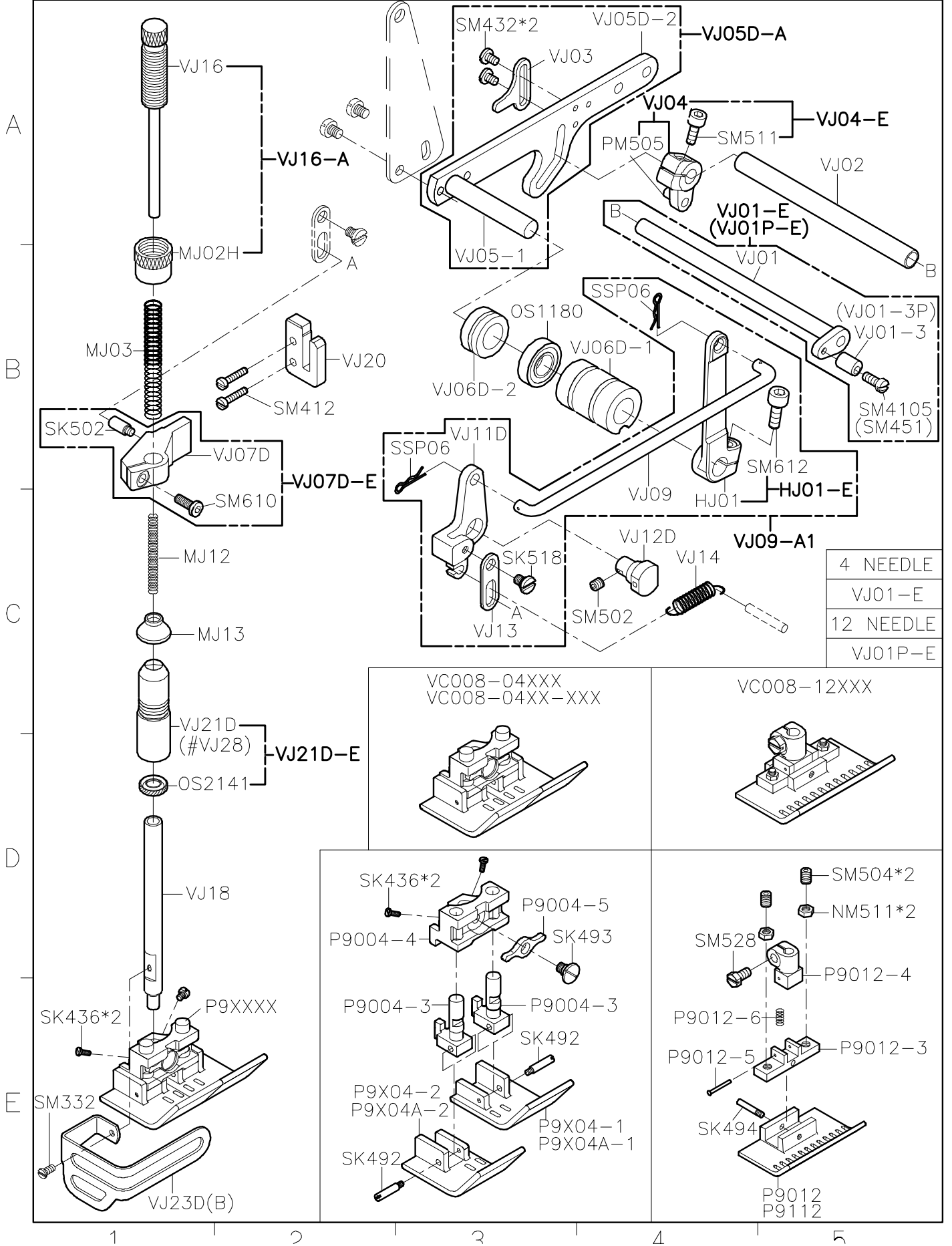
SIRUBA PARTS LIST	Series	Parts Group	Subclass / Remark	Page
	VC008	VE		4/4
				Date
				2012/08/23

FOR 13~25 NEEDLE



SIRUBA PARTS LIST	Series	Parts Group	Subclass / Remark	Page
	VC008	VF		1/1
				Date
				2023/08/09





(FOR 12 NEEDLE)

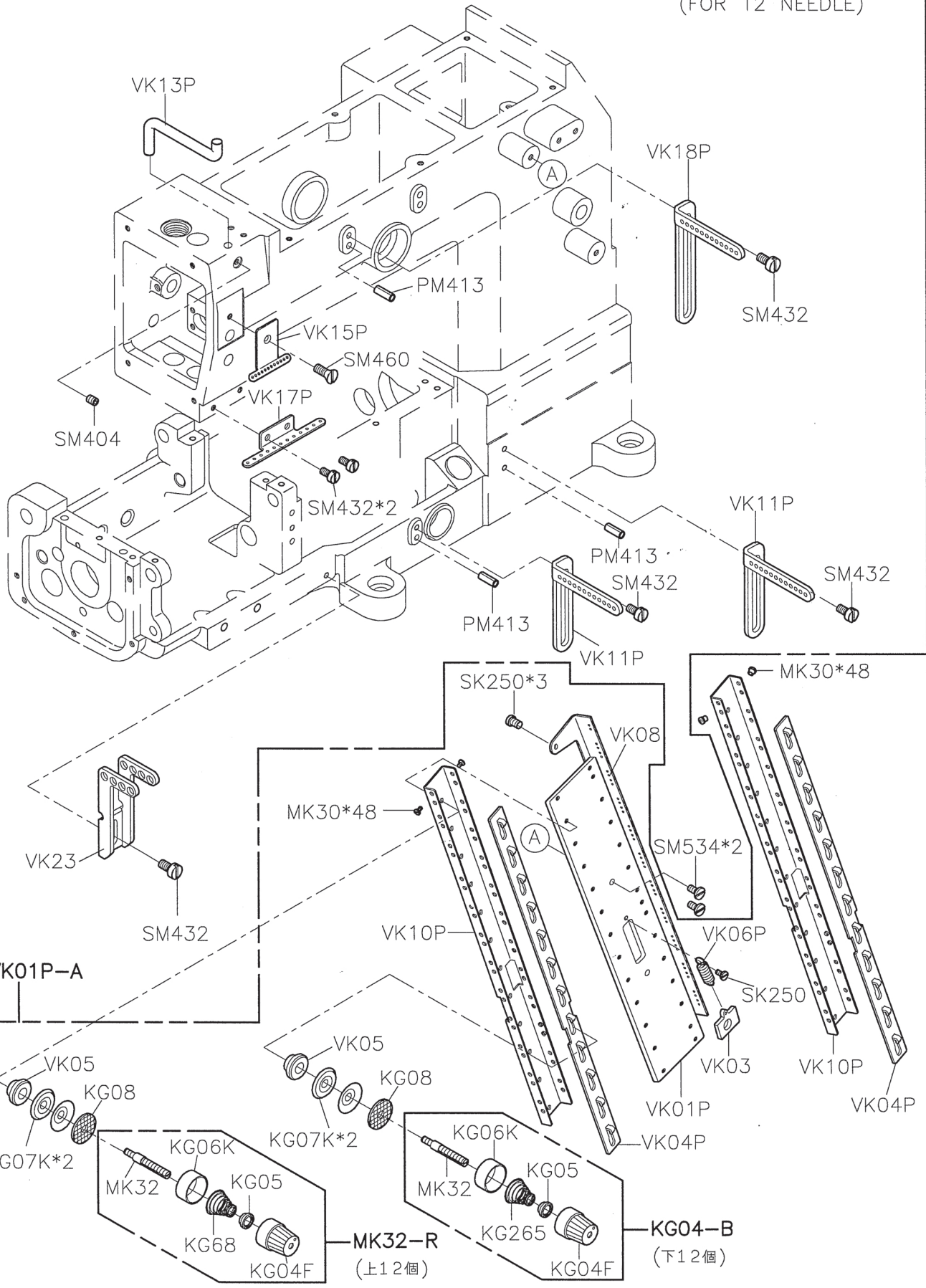
A

B

C

D

E



1

2

3

4

5

SIRUBA

PARTS LIST

Series

VC008

Parts Group

VL

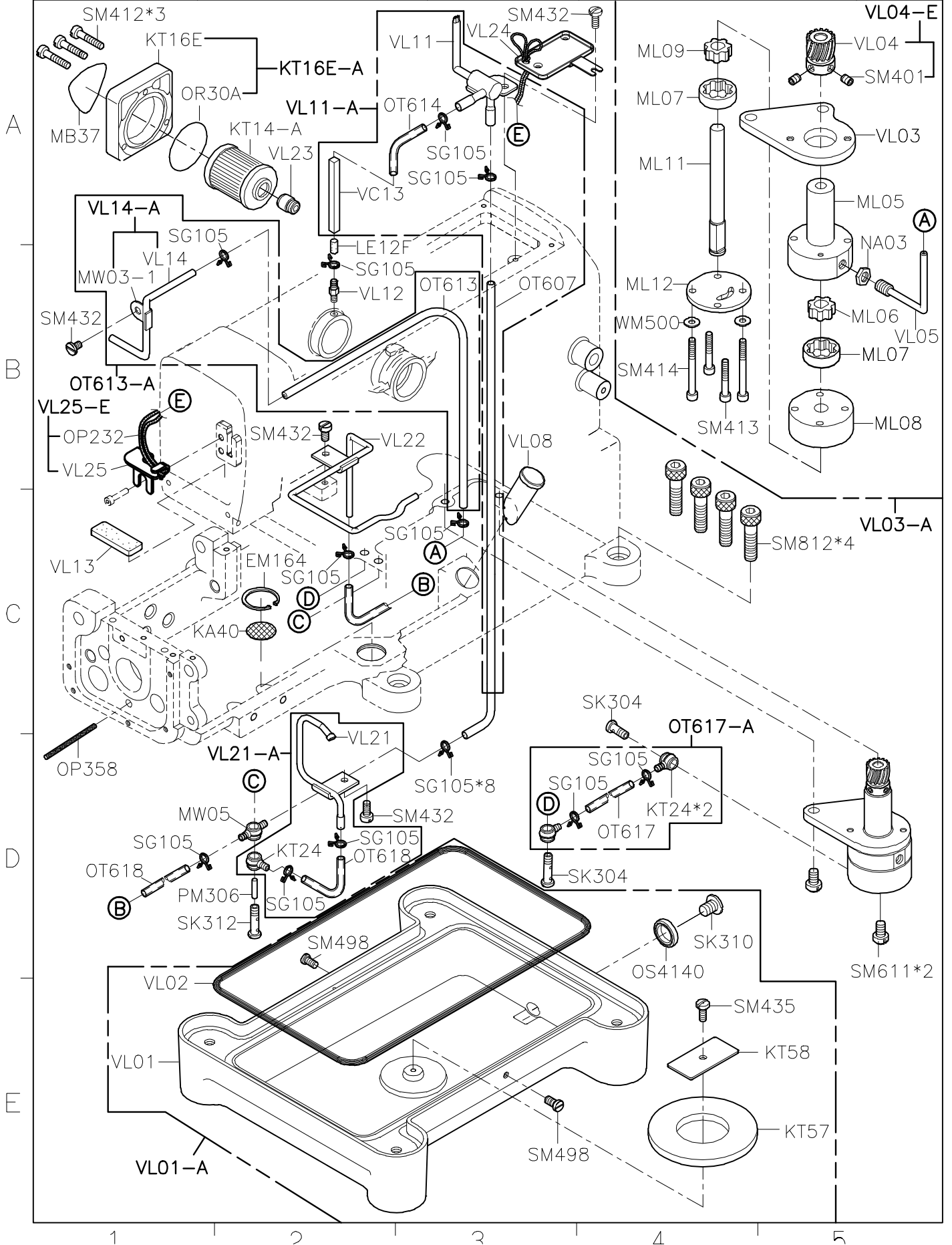
Subclass Remark

Page

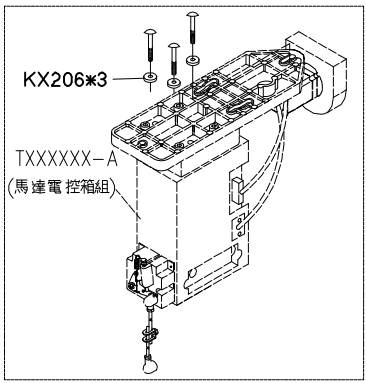
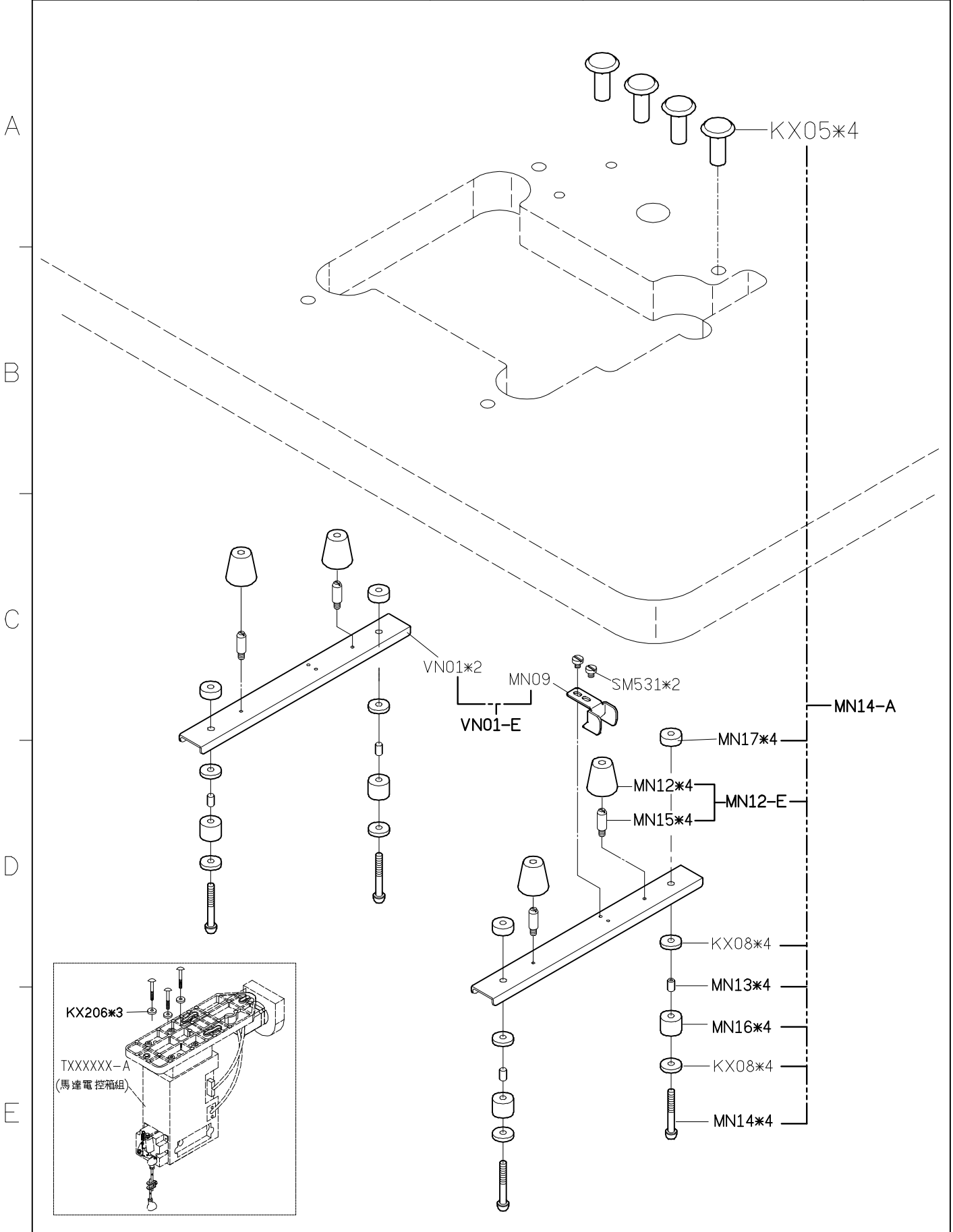
1/1

Date

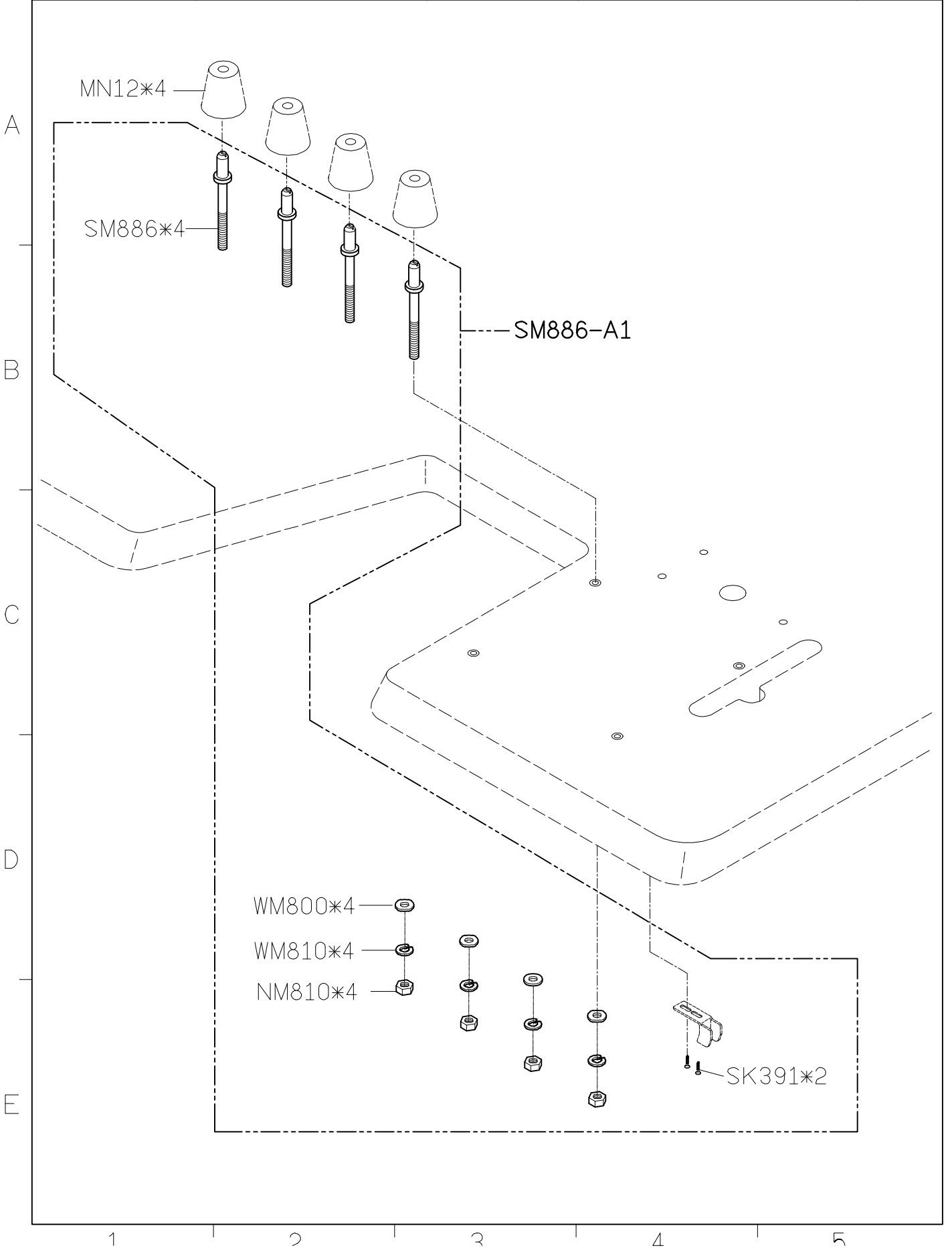
2022/03/29



SIRUBA PARTS LIST	Series	Parts Group	Subclass / Remark	Page
	VC008	VN		1/3
				Date
				2014/03/13



SIRUBA PARTS LIST	Series	Parts Group	Subclass / Remark	Page
	VC008	VN	Use for 上乘式桌板	2/3
				Date
				2014/03/13



SIRUBA PARTS LIST	Series	Parts Group	Subclass / Remark	Page
	VC008	VN	Use for 全沉式桌板	3/3
				Date
				2014/03/13

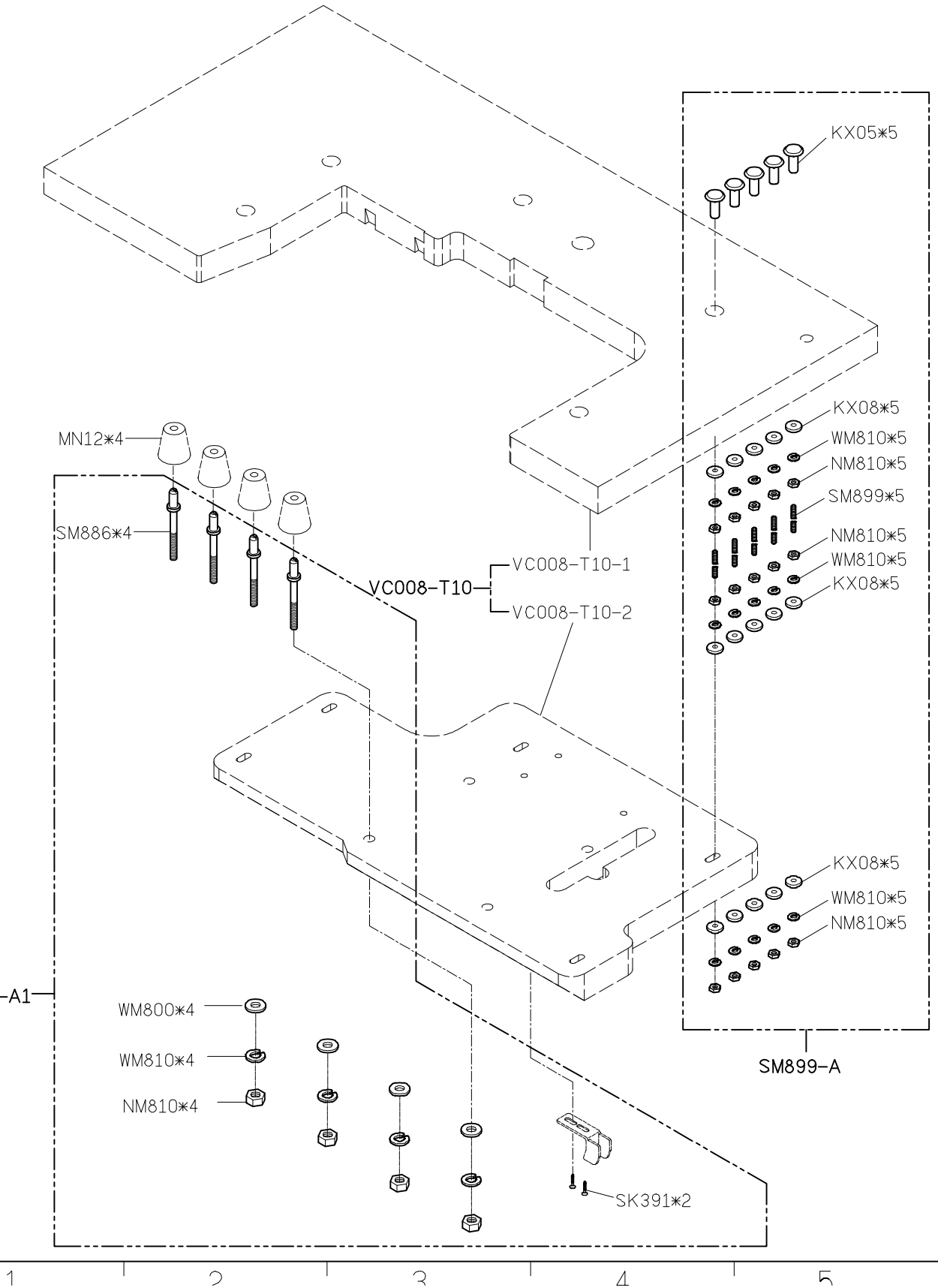
A

B

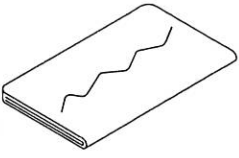

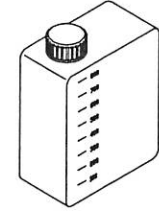


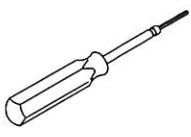

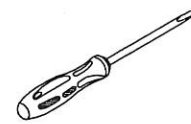
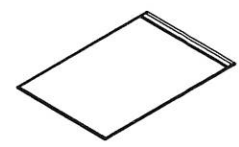
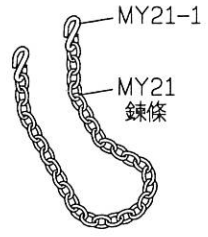
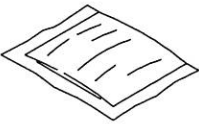


C

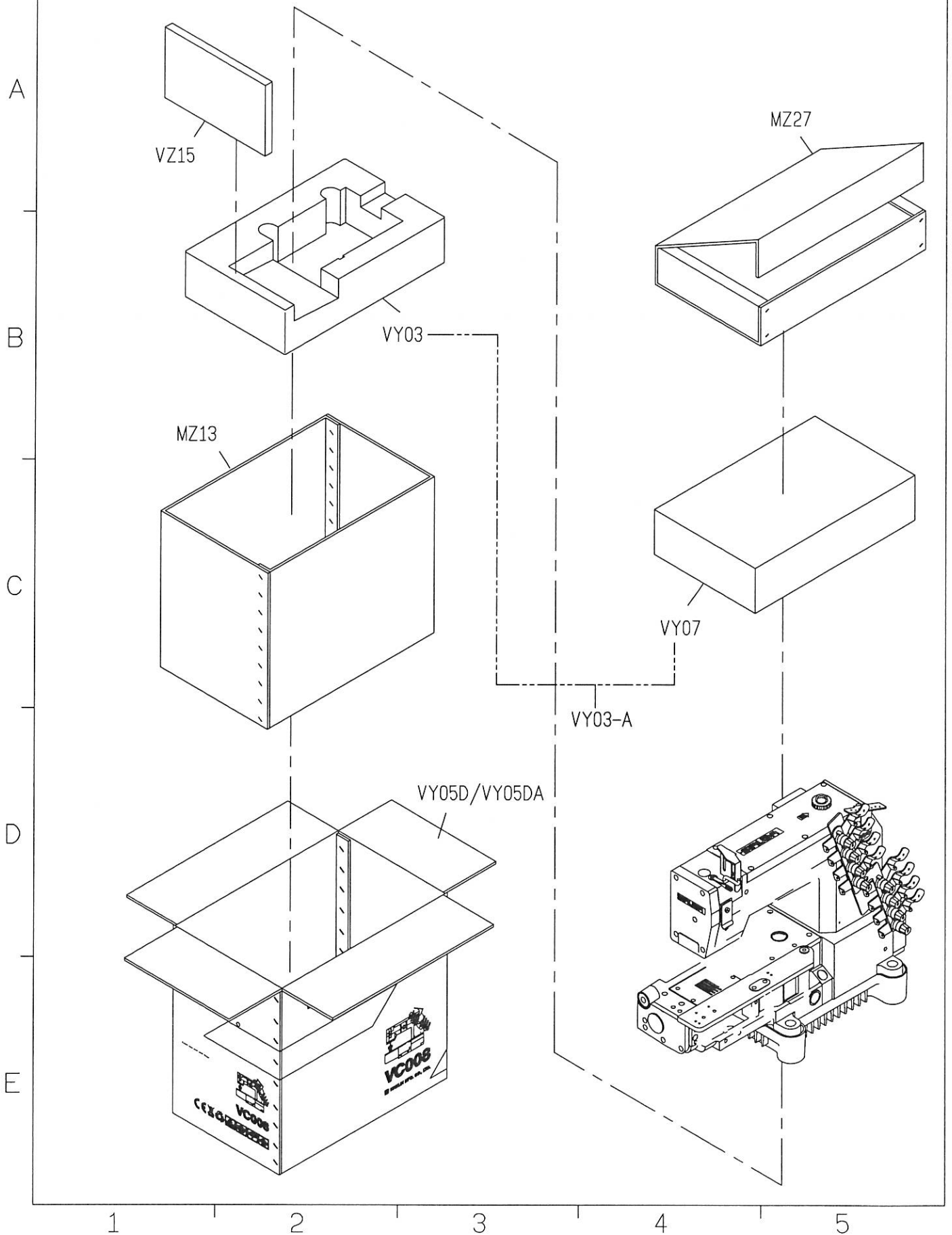
D

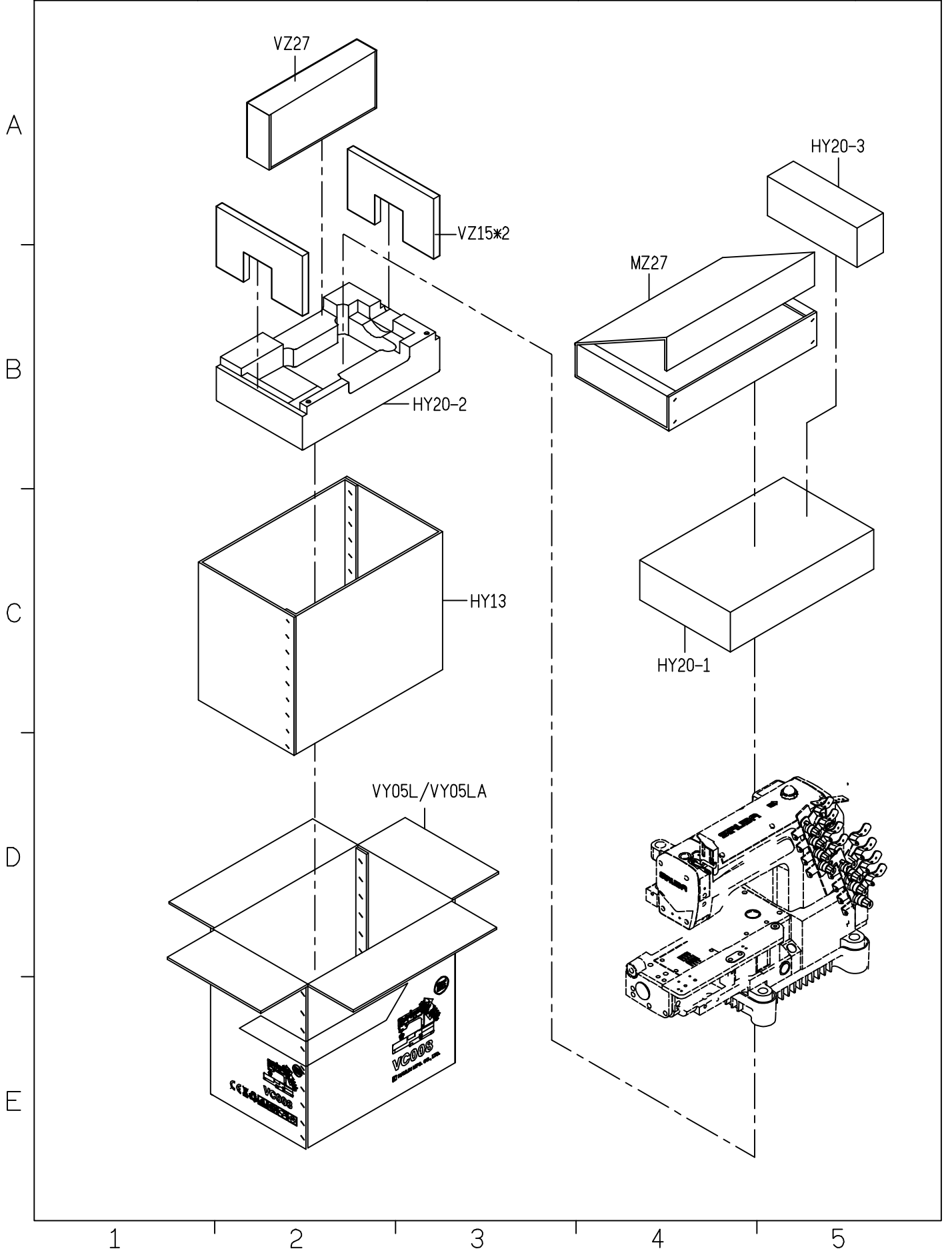
E



SIRUBA PARTS LIST	Series	Parts Group	Subclass / Remark	Page
	VC008	VY		1/3
				Date
				2023/05/16

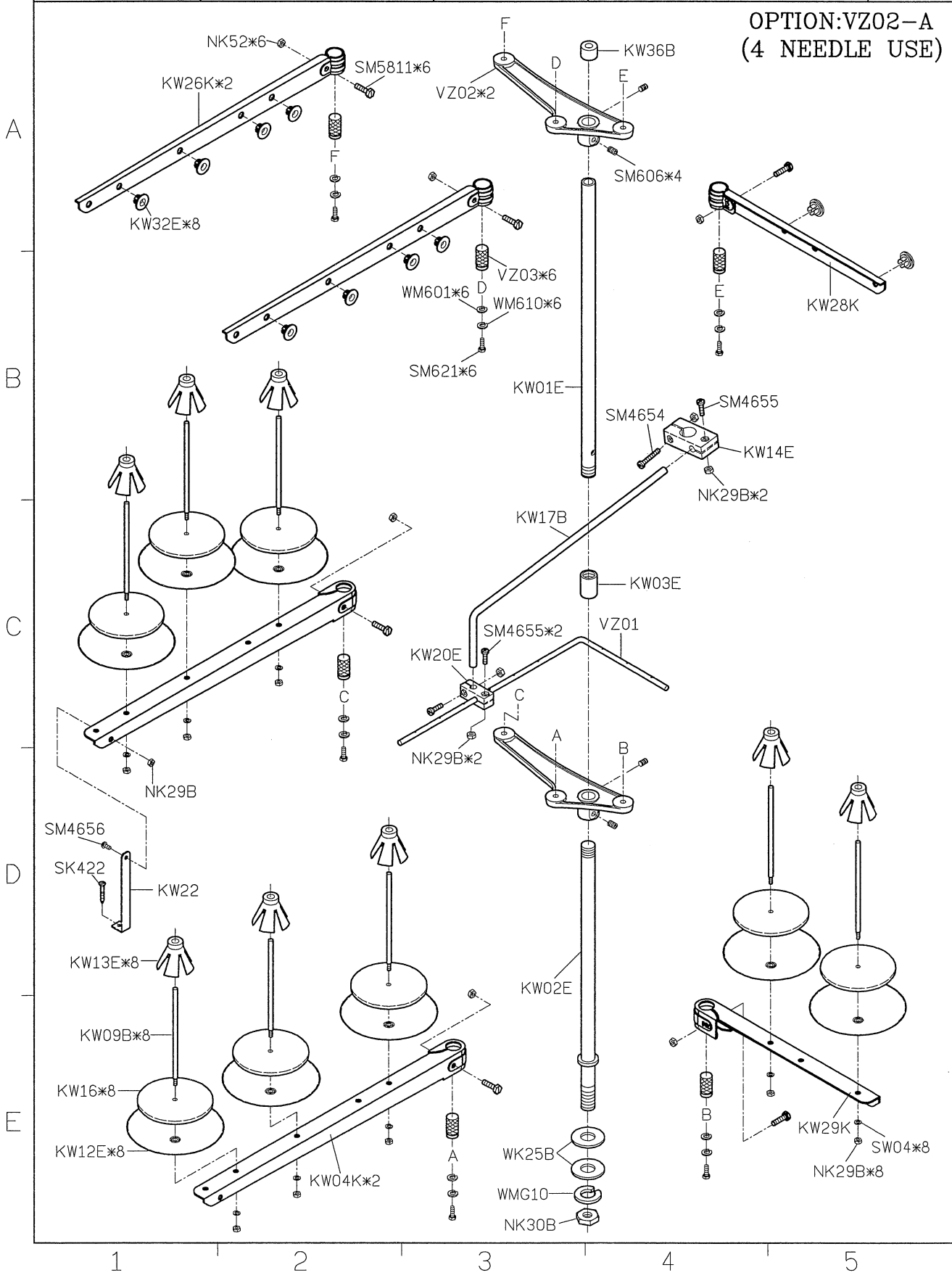
	MY01 防塵罩	KT14-A 濾油器	KY02F-A 油罐	KY03 油壺	KY04 漏斗
A					
	KY14 內六角螺絲起子	KY18 鑷子	KY22 一字起子 (23針用)	KY201JK 工具袋	KY21-E 鉤子
B					
	KZ03 乾燥劑	LY33 一字起子	針*4		
C					
D					
E					
	1	2	3	4	5





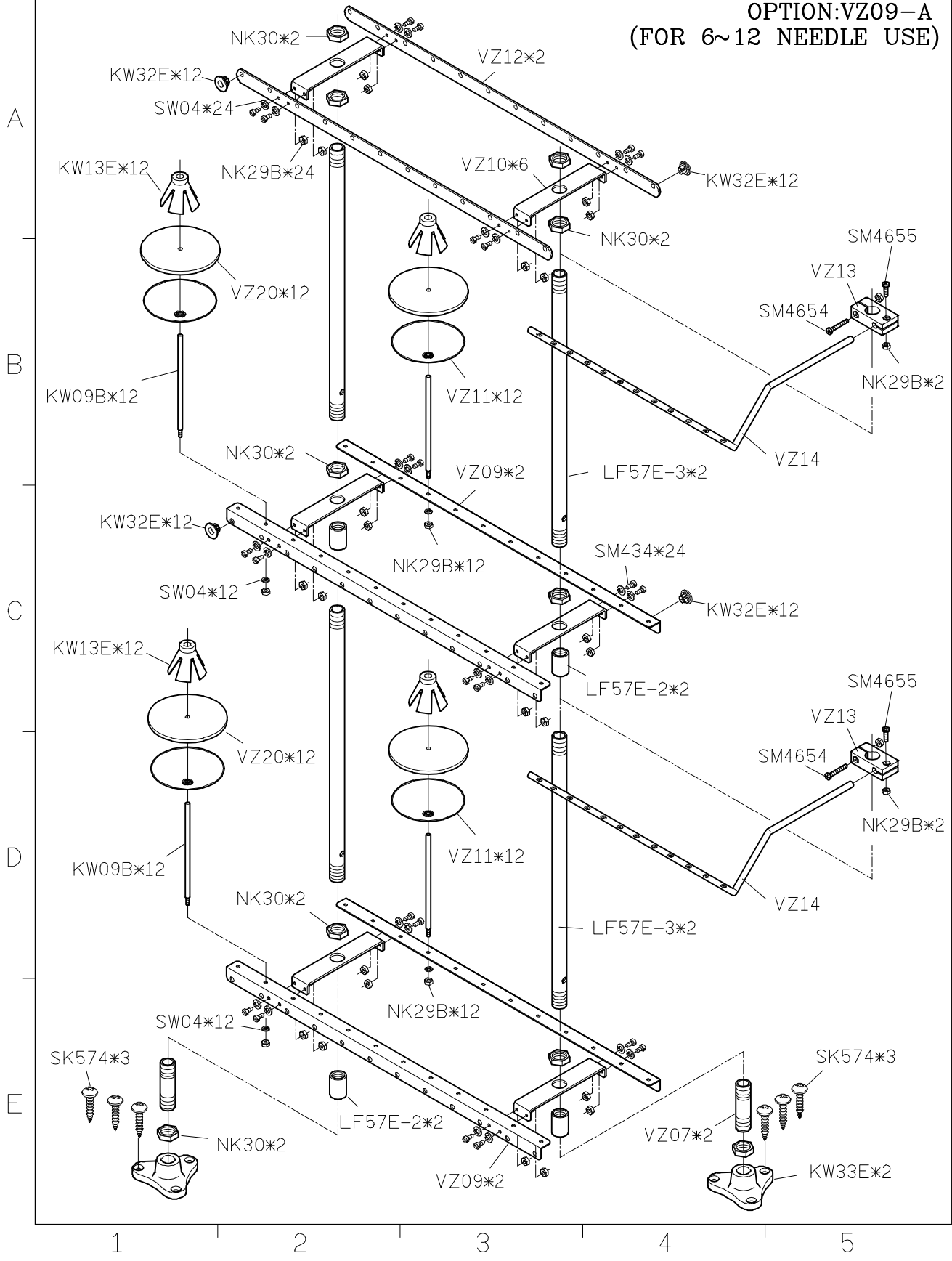
SIRUBA PARTS LIST	Series	Parts Group	Subclass / Remark	Page
	VC008	VZ		1/2
				Date
				2017/01/17

OPTION: VZ02-A
(4 NEEDLE USE)



SIRUBA PARTS LIST	Series	Parts Group	Subclass / Remark	Page
	VC008	VZ		2/2
				Date
				2012/11/15

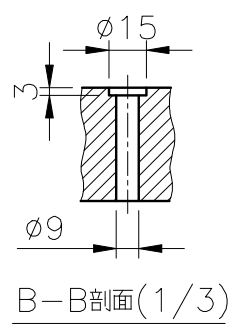
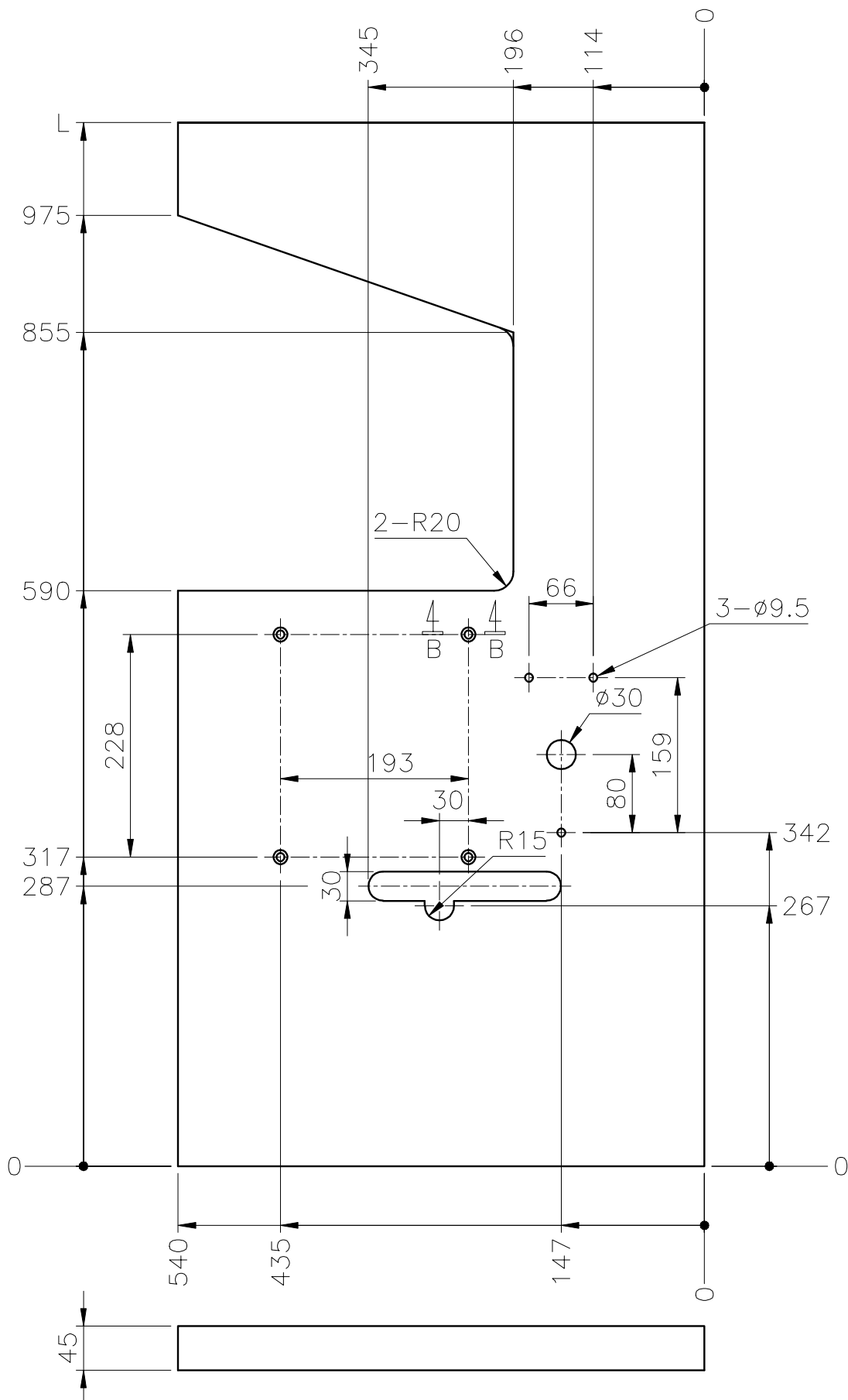
OPTION:VZ09-A
(FOR 6~12 NEEDLE USE)



- NK30*2
- VZ12*2
- KW32E*12
- SW04*24
- VZ10*6
- KW13E*12
- NK29B*24
- NK30*2
- KW32E*12
- VZ20*12
- SM4655
- VZ13
- SM4654
- NK29B*2
- KW09B*12
- VZ11*12
- VZ14
- VZ09*2
- LF57E-3*2
- NK30*2
- SM434*24
- VZ14
- KW32E*12
- NK29B*12
- SM4655
- VZ13
- SM4654
- NK29B*2
- SW04*12
- LF57E-2*2
- KW13E*12
- VZ20*12
- VZ11*12
- VZ14
- KW09B*12
- NK30*2
- LF57E-3*2
- NK29B*12
- LF57E-2*2
- SK574*3
- NK30*2
- VZ09*2
- VZ07*2
- SK574*3
- KW33E*2

SIRUBA TABLE CUT - OUT	Series	Item Code	Subclass Remark	Mounting
	VC008 VC008A VC008B	VC008-T4	For VC008(A, B)-12, VC008(A)-13 VC008(A, B)-06/VPL VC008(A)-12/VPQ VC008(A, B)-12/VPT VC008(A, B)-12/VJT	Non-submerged
				Date 2019/11/06

單位 / UNIT: mm
 所有尺寸公差 / TOLERANCE: ±2
 長度 (L): 1070 / 重量 (W): 11.4kg ±5%
 長度 (L): 1200 / 重量 (W): 12.4kg ±5%



B-B剖面(1/3)

SIRUBATABLE
CUT - OUT

Series

VC008

Item Code

VC008-T5

Subclass Remark

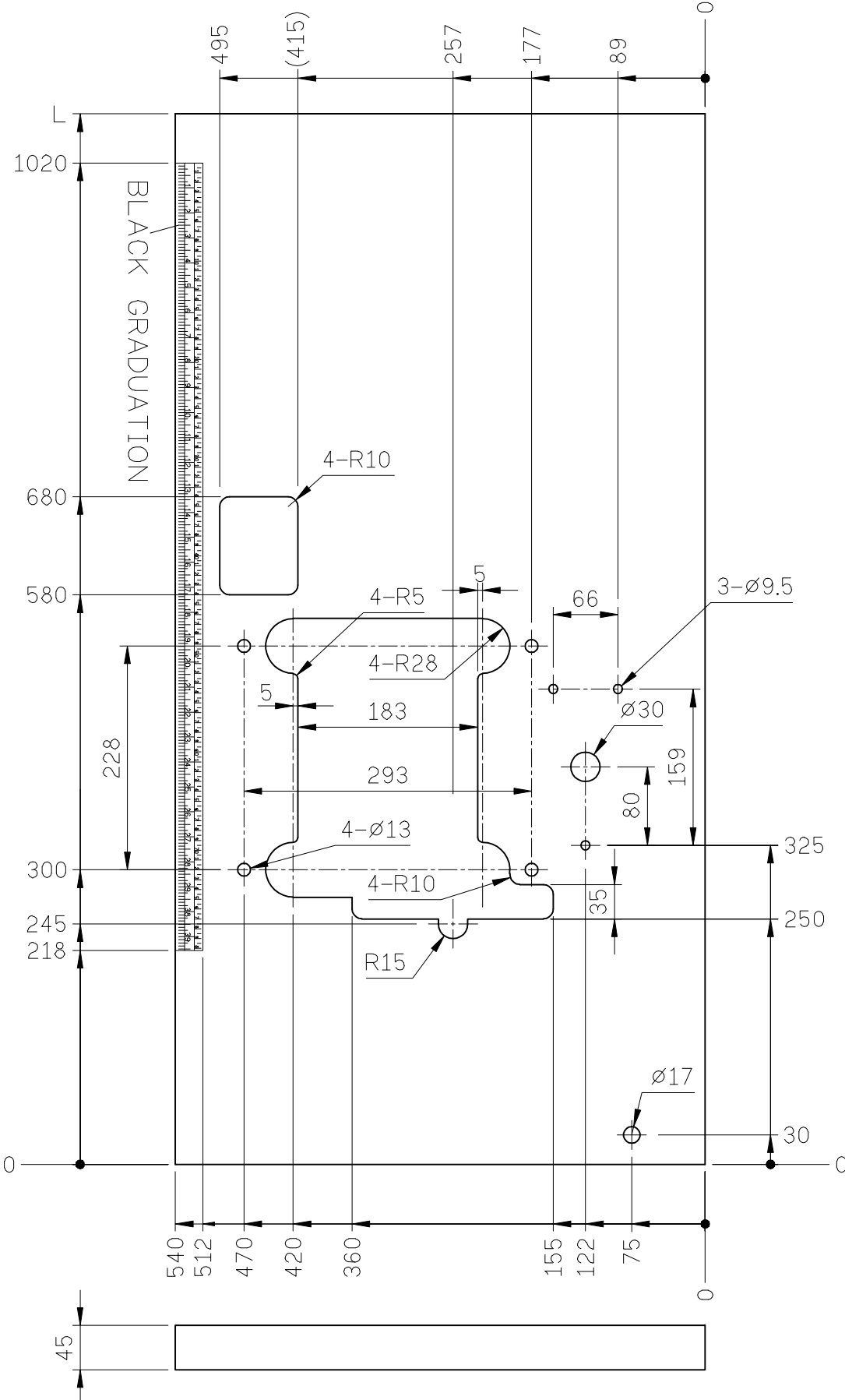
For VC008-04/VWL
VC008-04/VWLB
VC008-04/VWLC

Mounting

Semi-submerged

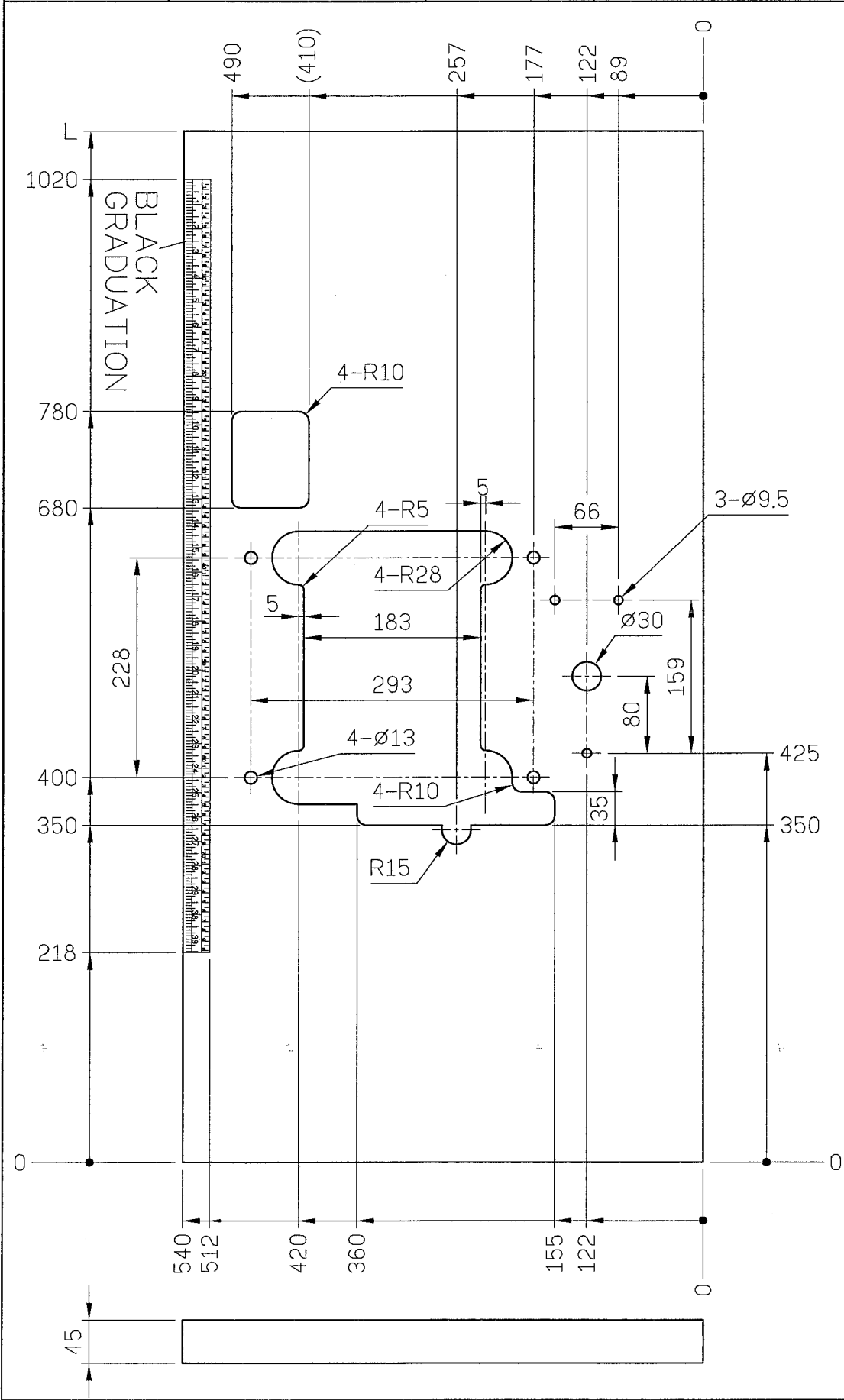
Date

2012/11/08



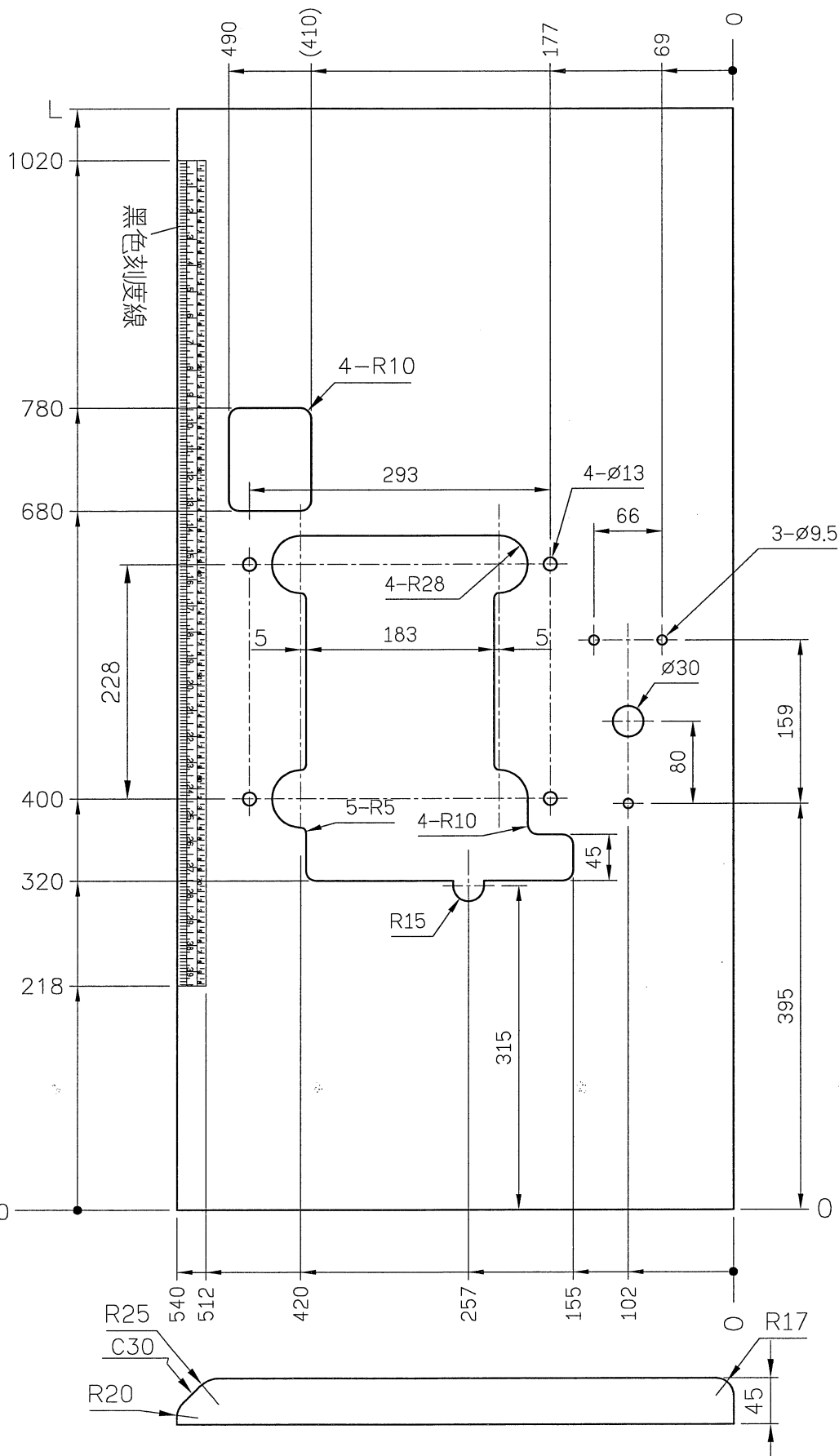
單位 / UNIT : mm
 所有尺寸公差 / TOLERANCE : ±2
 長度 (L) : 1070 / 重量 (W) : 11.5kg ±5%
 長度 (L) : 1200 / 重量 (W) : 12.5kg ±5%

SIRUBA TABLE CUT - OUT	Series	Item Code	Subclass Remark	Mounting
	VC008	VC008-T6	For VC008-12/VPQK VC008-12/VWL VC008-12/VSSM	Semi-submerged
				Date
				2015/12/16



單位/UNIT:mm
 所有尺寸公差/TOLERANCE:±2
 長度(L):1070/重量(W):11.5kg±5%
 長度(L):1200/重量(W):12.5kg±5%

SIRUBA TABLE CUT - OUT	Series	Item Code	Subclass Remark	Mounting
	VC008	VC008-T9	For VC008-12/VSC	Semi-submerged
				Date
				2015/12/16



單位 / UNIT : mm
 所有尺寸公差 / TOLERANCE : ±2
 長度 (L) : 1070 / 重量 (W) : 11.4kg ±5%
 長度 (L) : 1200 / 重量 (W) : 12.4kg ±5%

SIRUBATABLE
CUT - OUT

Series

VC008

Item Code

VC008-T10-1

Subclass Remark

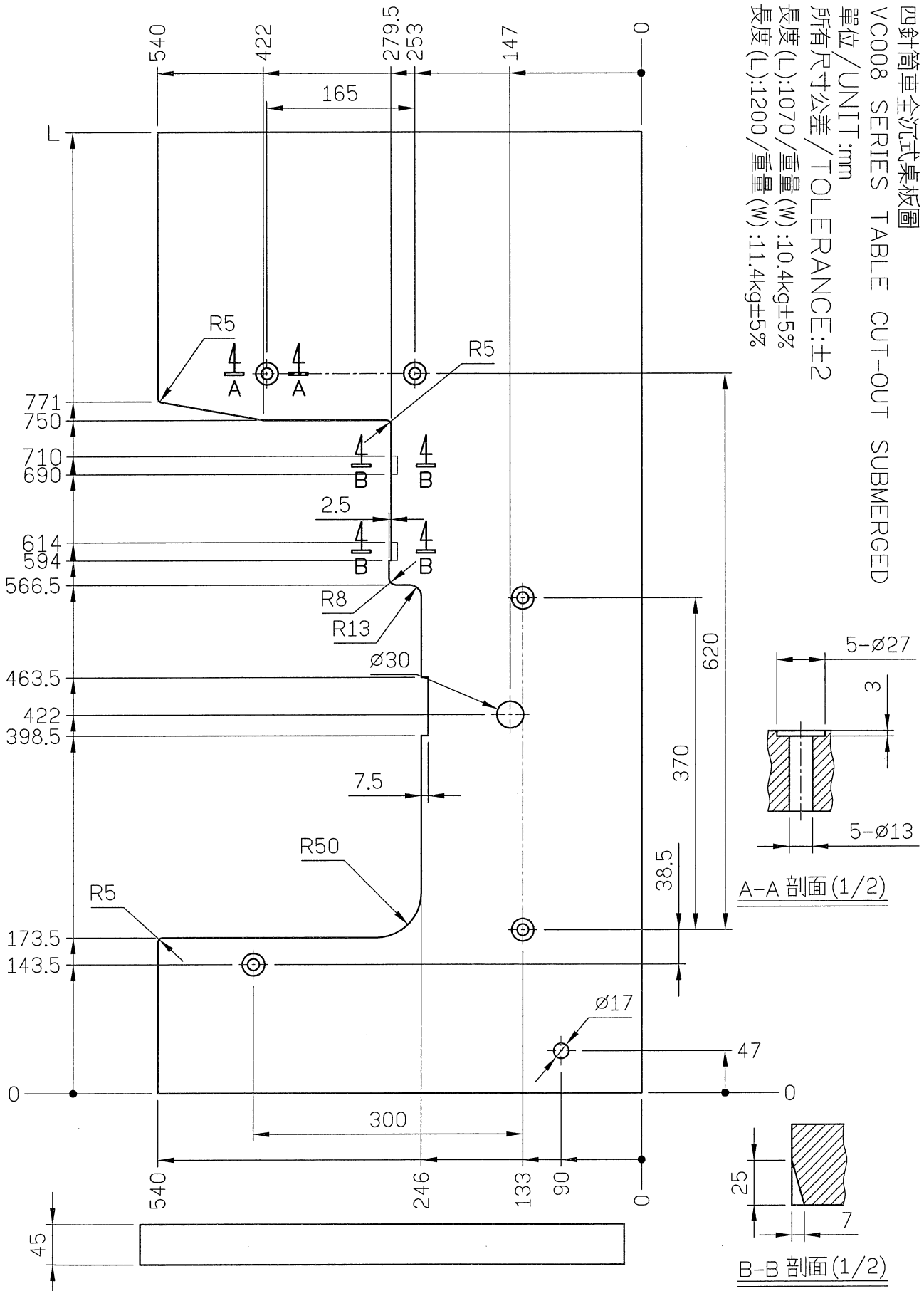
For VC008-04、VC008-12

Mounting

Fully-submerged

Date

2015/11/19



SIRUBA

TABLE
CUT - OUT

Series

VC008

Item Code

VC008-T10-2

Subclass Remark

For VC008-04、VC008-12

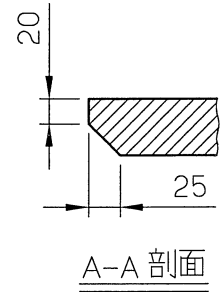
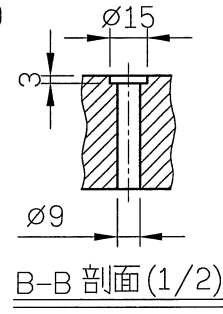
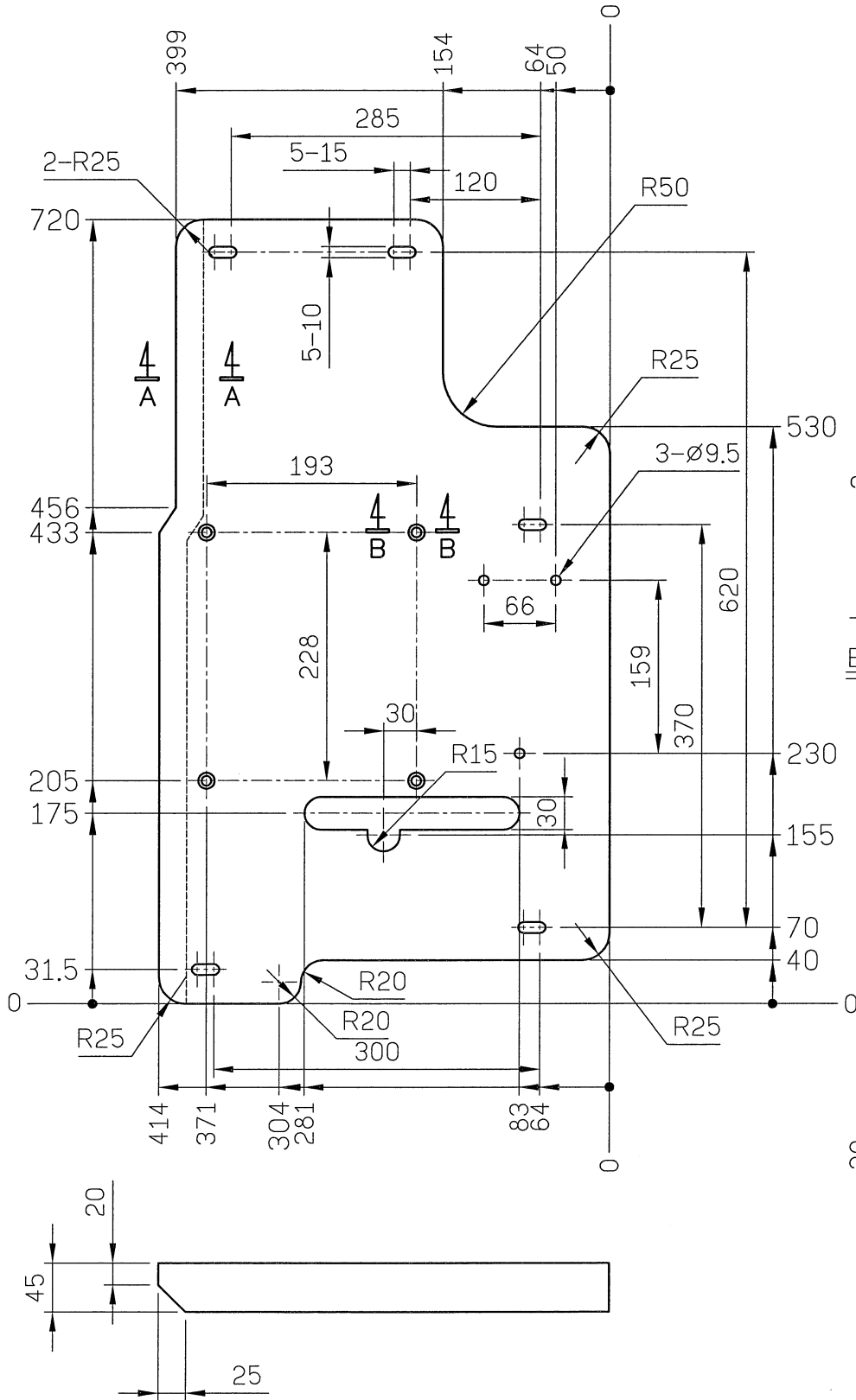
Mounting

Fully-submerged

Date

2015/11/19

四針筒車全沉式桌板圖
VC008 SERIES TABLE CUT-OUT SUBMERGED
單位/UNIT:mm
所有尺寸公差/TOLERANCE:±2
重量(W):6.1kg±5%



SIRUBATABLE
CUT - OUT

Series

VC008

Item Code

VC008-T21

Subclass Remark

For VC008:P/PQS/PTV

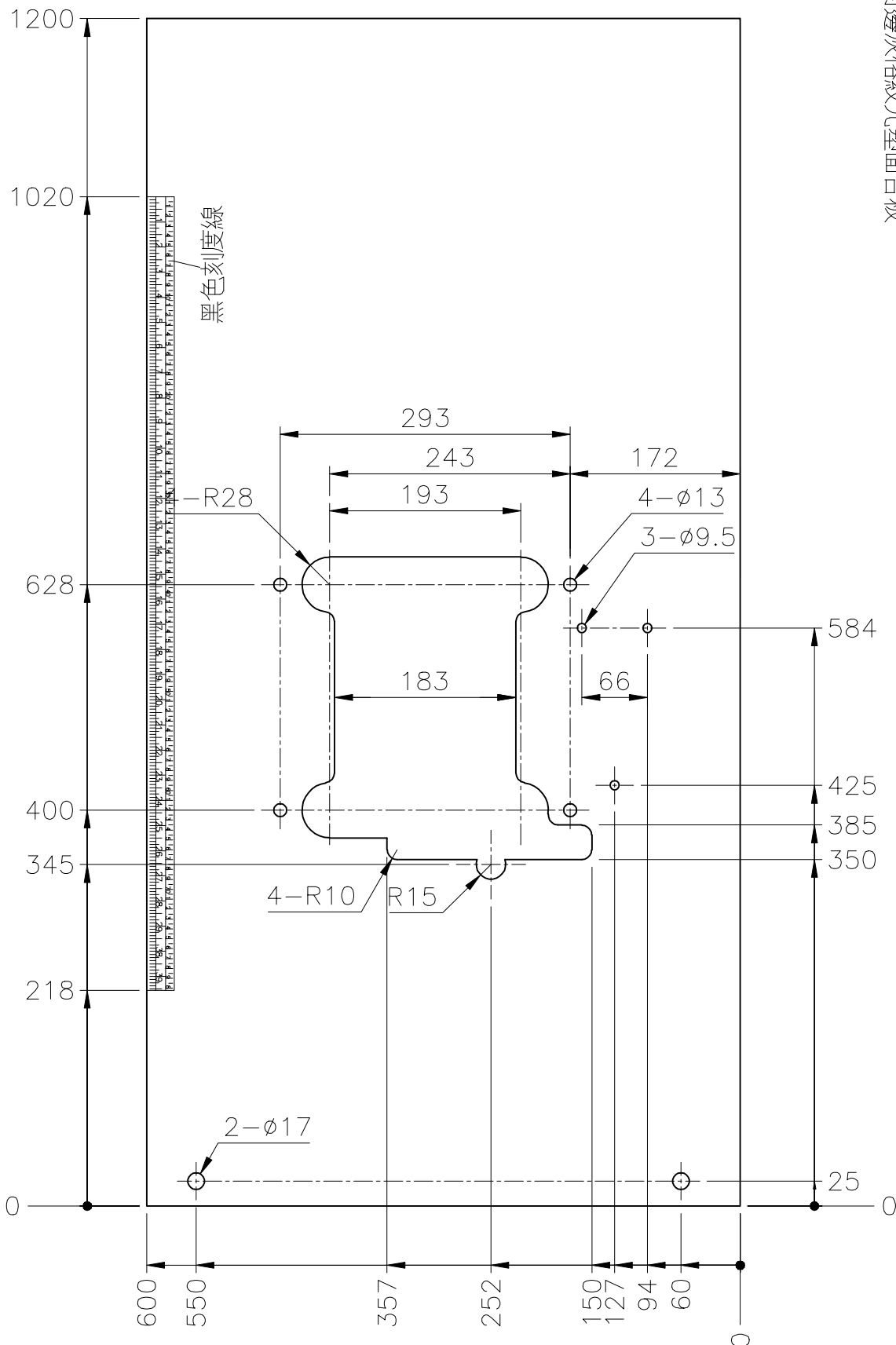
Mounting

Semi-submerged

Date

2012/12/08

二十五針(以上)簡單一ODM桌板圖
 單位/UNIT:mm
 所有尺寸公差/DIFFERENCE:±2
 VC008-T21長度(L):1200/重量:22.5kg±5% 板厚:45mm
 全封邊灰格紋光塑面台板



SIRUBATABLE
CUT - OUT

Series

VC008

Item Code

VC008-T23

Subclass Remark

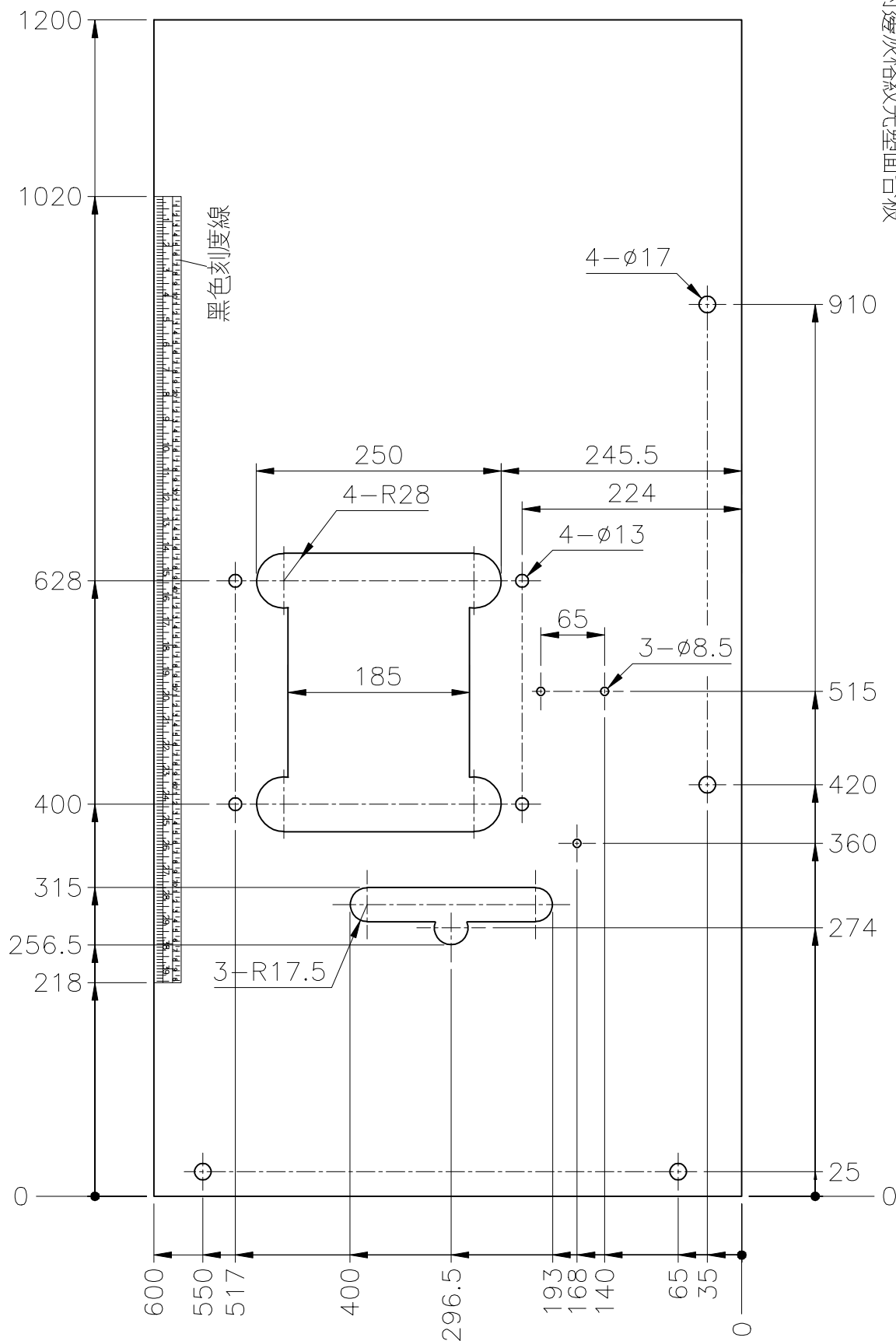
For VC008:/PSM/PQSM/PQ2R

Mounting

Semi-submerged

Date

2012/12/08



SIRUBATABLE
CUT - OUT

Series

VC008

Item Code

VC008-T24 For VC008:/PSSM/PQ3M/PQTM

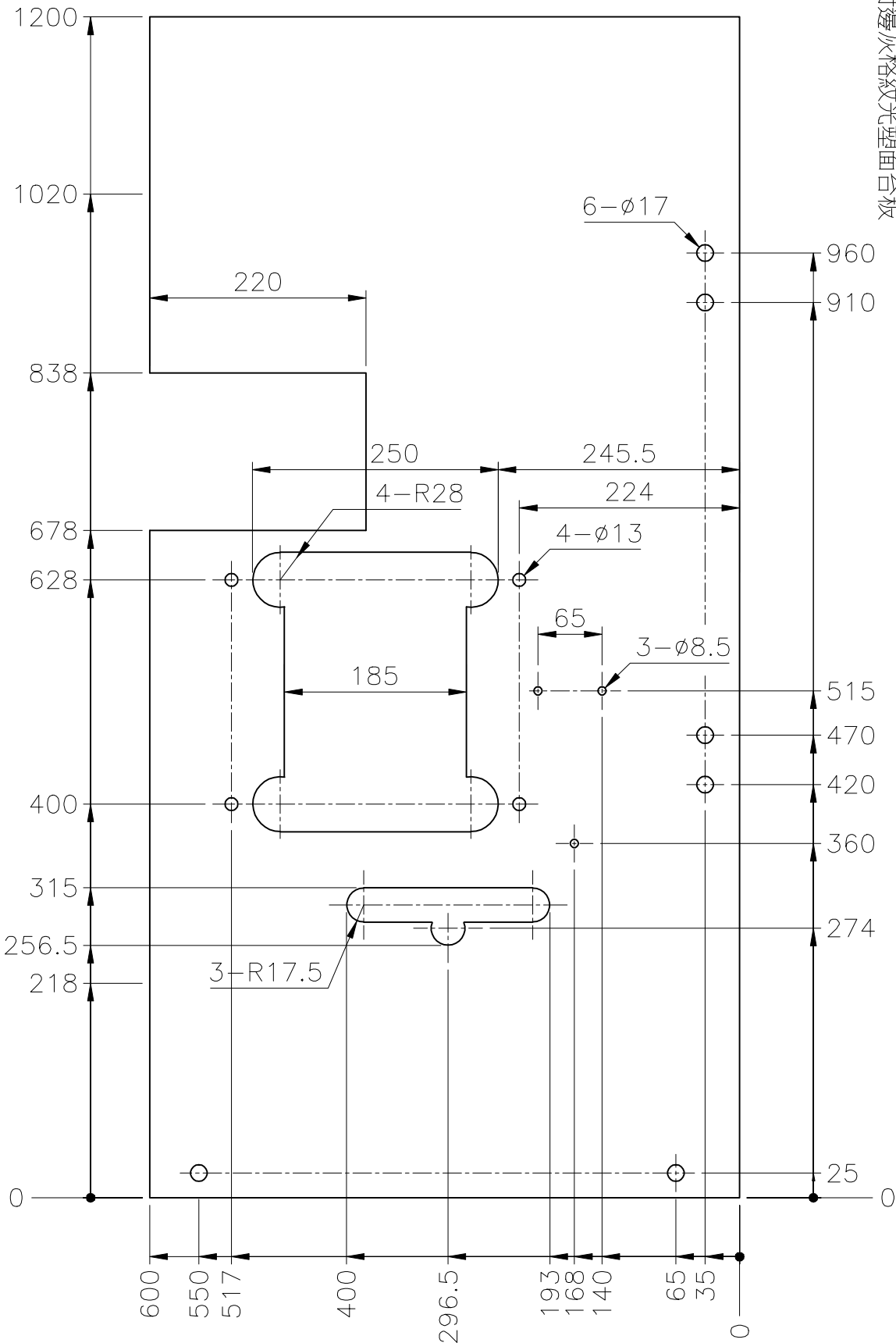
Subclass Remark

Mounting

Semi-submerged

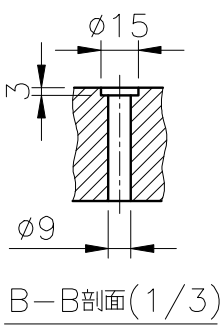
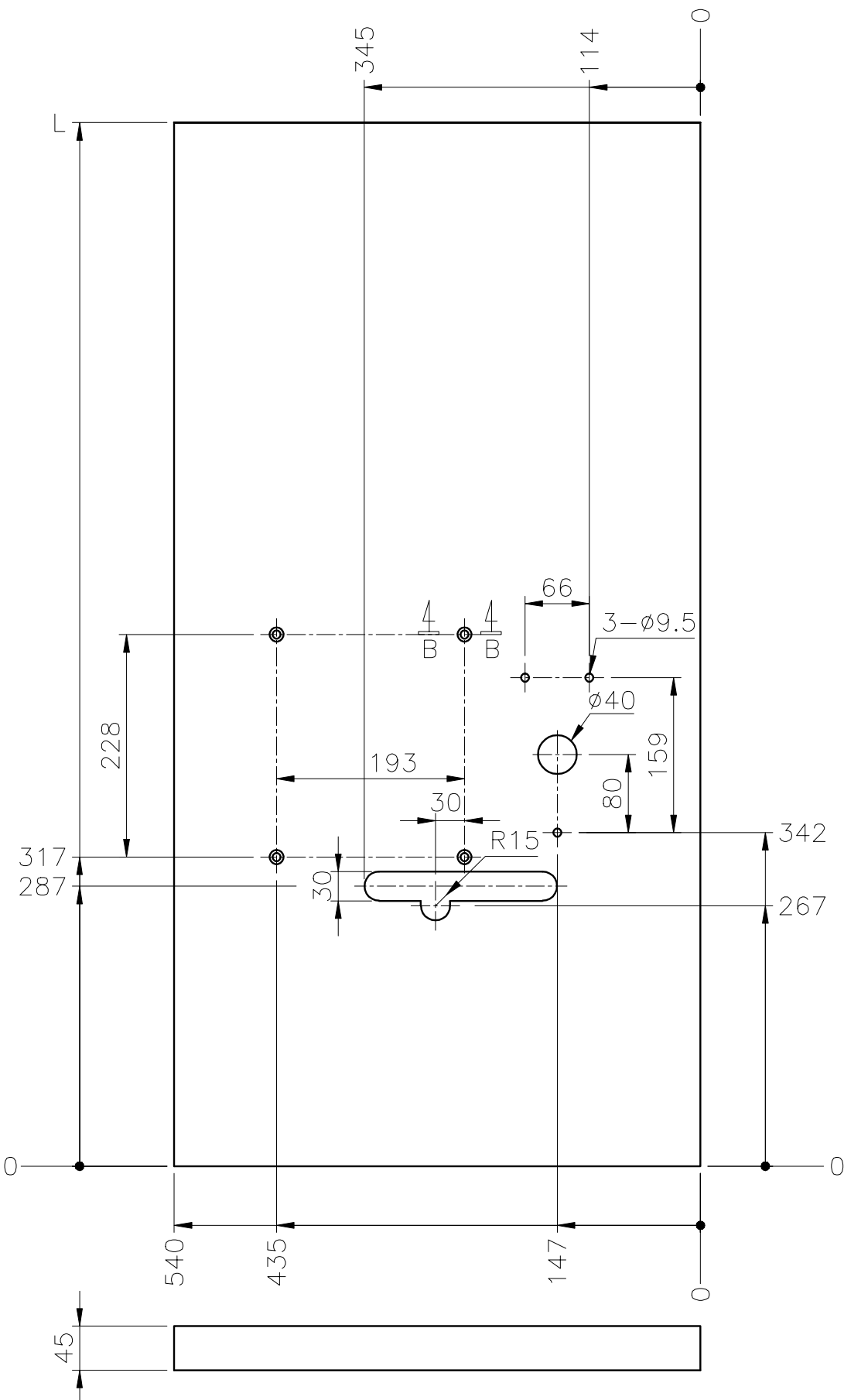
Date

2012/12/08



二十五針(以上)簡單一ODM桌板圖
 單位/UNIT:mm
 所有尺寸公差/DIFFERENCE:±2
 VC008-T24長度(L):1200/重量:22.5kg±5% 板厚:45mm
 全封邊灰格紋光塑面台板

SIRUBA TABLE CUT - OUT	Series	Item Code	Subclass Remark	Mounting
	VC008 VC008A VC008B	VC008-T25	For SLA特規要求	Non-submerged
				Date
				2019/11/06



單位 / UNIT: mm
 所有尺寸公差 / TOLERANCE: ±2
 長度 (L): 1070 / 重量 (W): 11.7kg ±5%
 長度 (L): 1200 / 重量 (W): 12.7kg ±5%

B-B剖面(1/3)