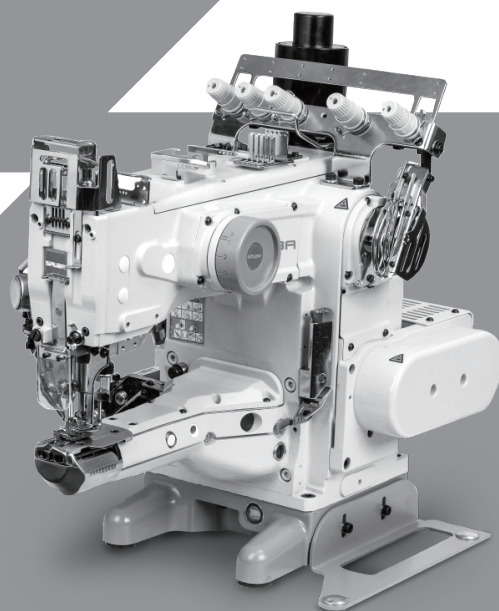


SIRUBA

零件圖

PARTS LIST

■ VTS1500



本零件清單的查閱方法

本零件清單以VTS1500為基本機型編寫。

第1-12項記述了基本機型。

第13項以後，記述了下屬型號及附屬裝置。

本零件清單中的環/圈類的尺寸表示為內徑×外徑×寬度。

符號說明（在零件序號的旁邊）

[]表示相對前版零件清單，在本版中變更了的零件。

[]裡記述了舊產品序號及螺絲類的形狀。

◆ 表示和前版零件清單不同，在本版中新追加的零件和機型。

訂購零件時的注意事項

☆ 要訂購本零件清單中記載的零件時，請告知零件序號。（例如，4300015）

☆ 零件序號為0095027時，請告知0095027或95027。

☆ 訂購空控式管類時，請告知零件序號及長度。

本零件清單所記載的事項，可能因產品改良而變更。恕不另行通知。

How to use this Parts List

The illustrations on this Parts List are drawn on the basis of VTS1500.

The items from No.1 to No.12 contain the standard model.

The following items included No.13 contain the submodel and Devices.

The dimension of Collar on this Parts List shows Inside diameter X Outside diameter X Width.

Explanation of Marks（marked at the Side of Part No.）

[] means this part is changed from the previous Parts List.

Inside of [] shows the previous Part No. and the shape of screw or the like.

◆ means this part and model is added to the previous Parts List.

How to place an order for the parts

☆ When placing an order for the parts from this Parts List，please clearly state the Parts No.（e.g.4300015）which you require so that we can deliver the correct Parts to you．

☆ When the Part No. is “0095027” please place an order for the part by showing “0095027” or “95027”．

☆ When ordering Air Tube，please inform us of the Part No. and the length．

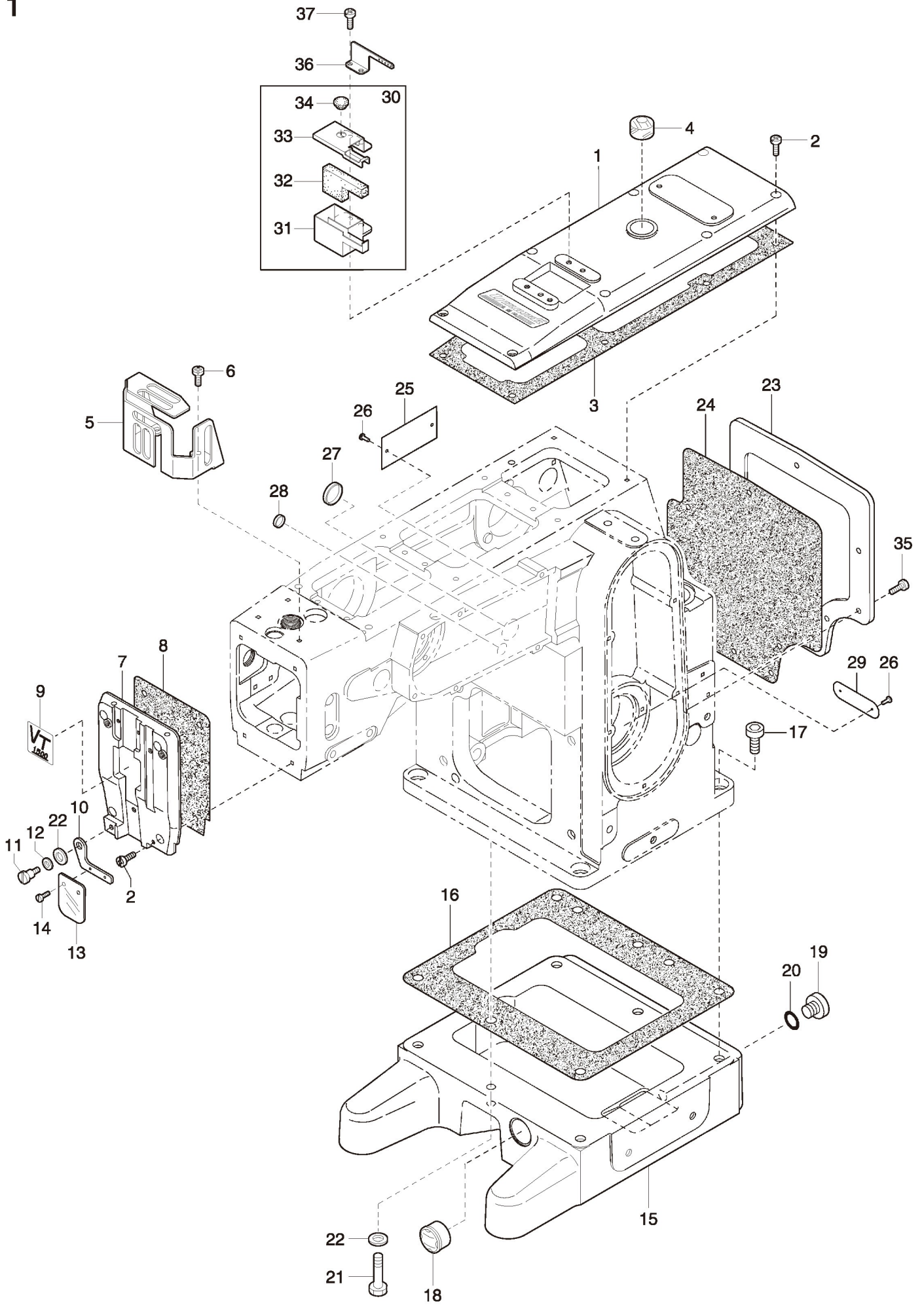
This Parts List is subject to change without notice．

Contents

目次

MISCELLANEOUS COVERS (1)	機體蓋板	1
MISCELLANEOUS COVERS (2)	機體外部零件	2
MISCELLANEOUS THREAD EYELETS	過線零件	3
MISCELLANEOUS BUSHINGS	機體軸套	4
MISCELLANEOUS CRANKSHAFT	主軸部件	5
NEEDLE BAR DRIVING MECHANISM	針桿驅動機構	6
SPREADER MECHANISM	細針傳動機構	7
PRESSER FOOT MECHANISM	抬壓腳機構	8
LOOPER DRIVING MECHANISM	彎針機構	9
FEED DRIVING MECHANISM (1)	送料機構 (1)	10
FEED DRIVING MECHANISM (2)	送料機構 (2)	11
LUBRICATING MECHANISM	供油部件	12
VTS1500-□□□M, VTS1500-□□□-1 EXCLUSIVE PARTS	子模型專用部件	13
VTS1500-□□□ EXCLUSIVE PARTS	子模型專用部件	14
EXTRA PARTS	輔助裝置	15
THREAD STAND	線架	16
ACCESSORIES (1)	安裝輔助件 (1)	17
ACCESSORIES (2)	安裝輔助件 (2)	18
ACCESSORIES (3)	安裝輔助件 (3)	19
WARNING LABEL	警示標籤	20
LIST OF MAIN SPARE PARTS	針位組部件	21
INDEX	索引	22
BTS, ETS, ATS DEVICE(1)	BTS, ETS, ATS裝置 (1)	23
BTS, ETS, ATS DEVICE(2)	BTS, ETS, ATS裝置 (2)	24
BTS, ETS, ATS DEVICE(3)	BTS, ETS, ATS裝置 (3)	25
BTS, ETS, ATS DEVICE(4)	BTS, ETS, ATS裝置 (4)	26
ETS, ATS DEVICE(1)	ETS, ATS裝置 (1)	27
ETS, ATS DEVICE(2)	ETS, ATS裝置 (2)	28
ETS, ATS DEVICE(3)	ETS, ATS裝置 (3)	29
VTS1500-□□□/BTS, □□□-1/BTS EXTLUSIVE PARTS	子模型專用部件	30
VTS1500-□□□-2/BTS EXTLUSIVE PARTS	子模型專用部件	31
VTS1500-4□□-2/BTS EXTLUSIVE PARTS	子模型專用部件	32

1

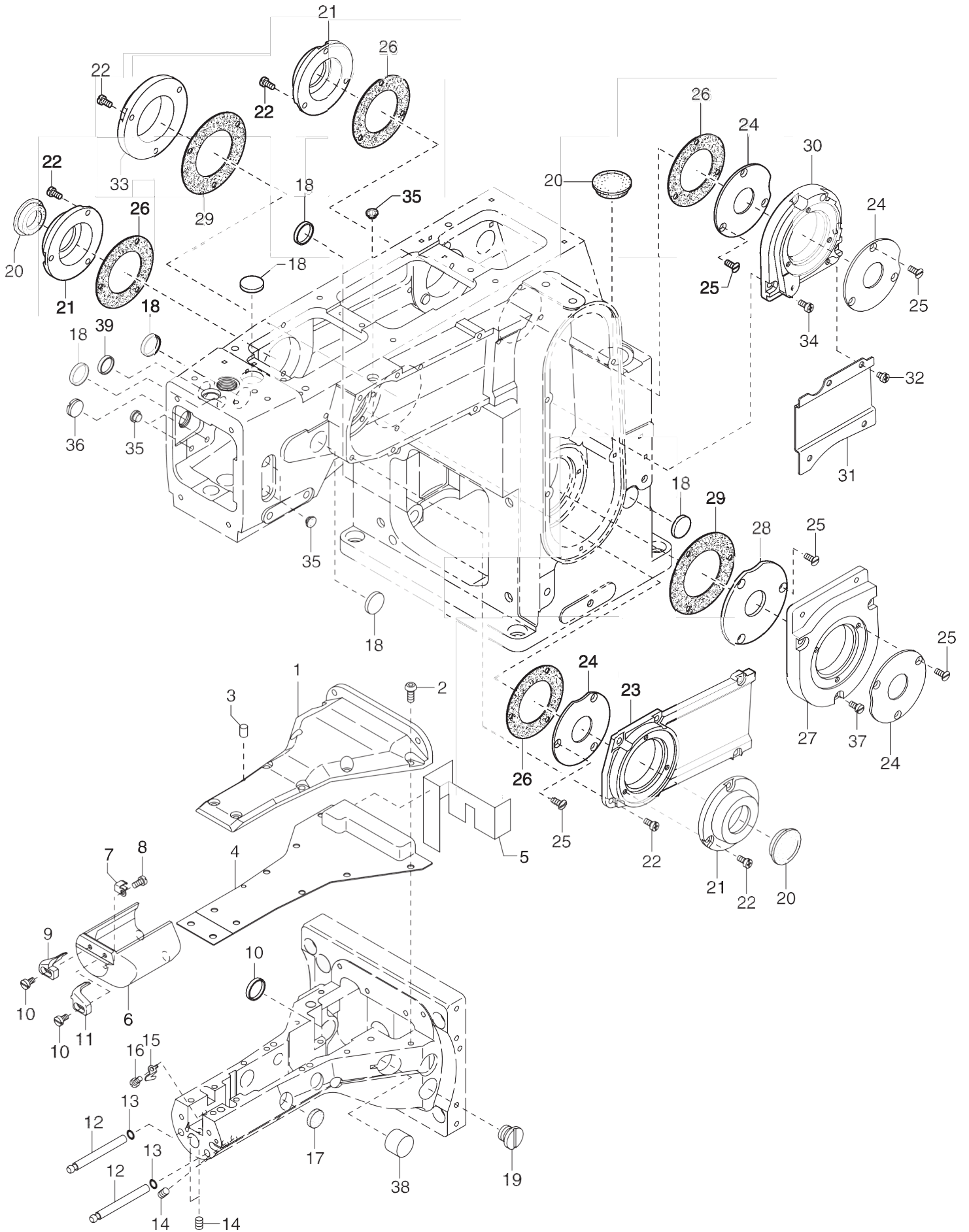


Ref.No.	Parts No.	Description	品名	Amt. Req
1	6500251 [6500004]	Arm Top Cover	上蓋罩	1
2	110045	Screw(M4-0.7×12)	螺絲	12
3	6500005	Arm Top Cover Gasket	上蓋板墊	1
4	6100012	Oil Sight Window	油窗	1
5	6500028	Needle Bar Guard	針桿護罩	1
6	110012	Screw(M4-0.7×5)	螺絲	3
7	6500252 [6500006]	Head Cover	機頭罩	1
8	6500007	Head Cover Gasket	機頭板墊	1
9	390209	Emblem	徽章	1
10	6500027	Eye Guard Holder	護眼罩支架	1
11	170044	Screw(M4-0.7×7)	螺絲	1
12	000010 [300104]	Wave Washer	波型墊圈	1
13	6100757	Eye Guard	護眼罩	1
14	004236	Screw(3/32-56×4.2)	螺絲	2
15	6500002	Oil Reservoir	油盤	1
16	6500003	Oil Reservoir Gasket	油封墊片	1
17	120016	Screw(M8-1.25×20)	螺絲	5
18	6500303	Oil Gauge	油量窗	1
19	005076	Drain Hole Screw(3/8-24×8)	油封螺絲	1
20	6500327	O-ring(P10)	O型圈	1
21	009977	Screw(M6-1×25)	螺絲	1
22	000425 [300005]	Washer	墊片	2
23	6500253 [6500008]	Rear Cover	護蓋罩	1
24	6500009	Rear Cover Gasket	護蓋罩墊	1
25	6500346	Model Plate	型式板	1
26	000726	Rivet	螺釘	4
27	6500035	Seal Plug	封栓	1
28	6500034	Seal Plug	封栓	2
29	6109401	Serial Number Plate	機碼牌	1
30	6500234 ◆	SP Device, C. Set	sp 裝置	1
31	6500235 ◆	SP Container	sp 容器	1
32	310130 ◆	SP Felt	SP 毛毡	1
33	6500236 ◆	SP Container Cover	sp 容器蓋	1
34	6100017 ◆	Seal Plug	密封塞	1
35	120009 ◆	Screw(M4-0.7×12)	螺絲	9
36	6500250 ◆	SP Eyelet	SP 金属孔眼	1
37	110048 ◆	Screw(M4-0.7×10)	螺絲	2

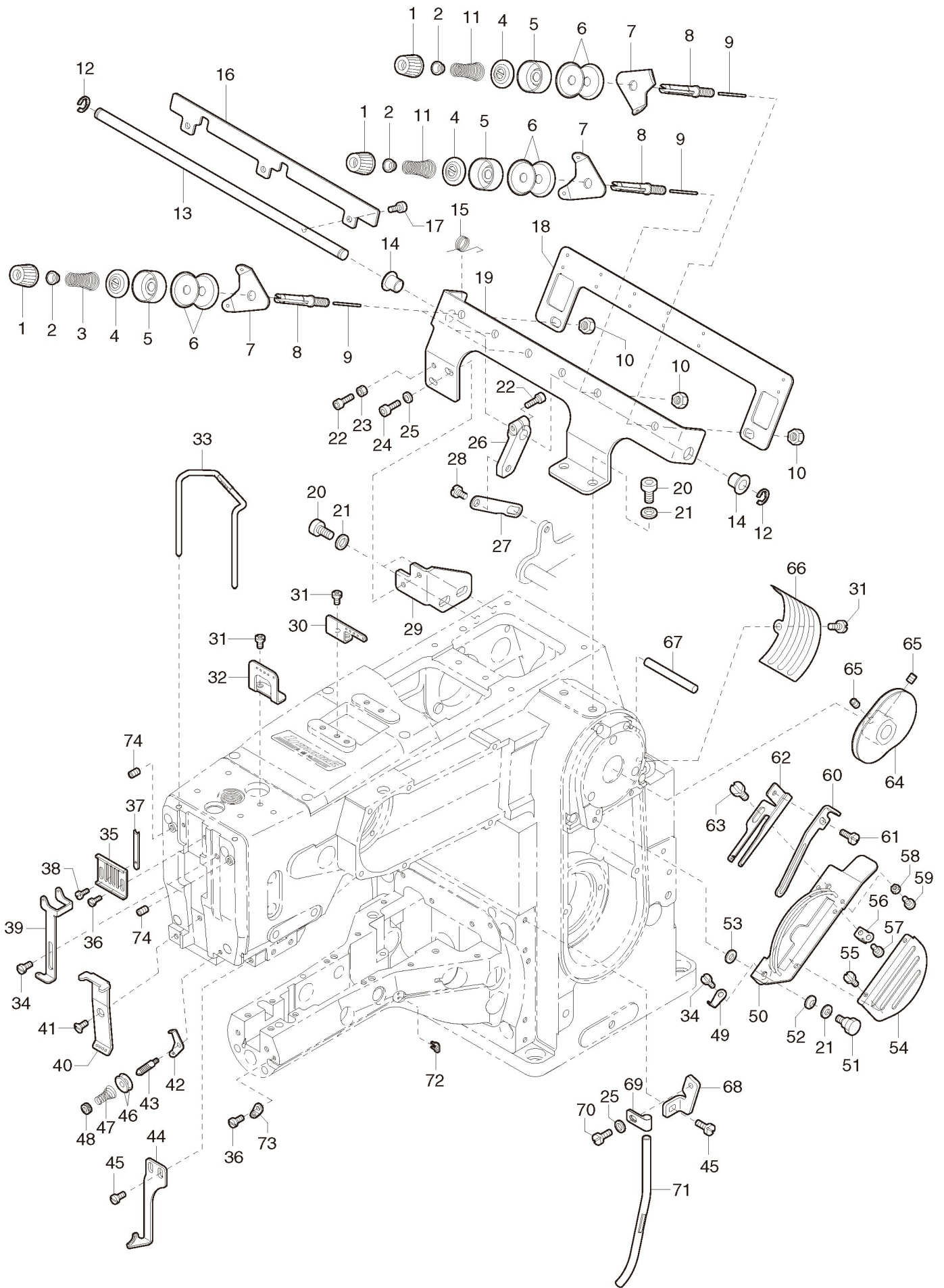
Note : Order for Model Plate must be accompanied by model designation (including symbols of gauge and device).

注意：訂購型號牌時，必須附上型號名稱（包括規格和設備的符號）。

這是為了確保所訂購的型號牌與所需的設備和規格完全匹配，從而避免任何錯誤或混淆。

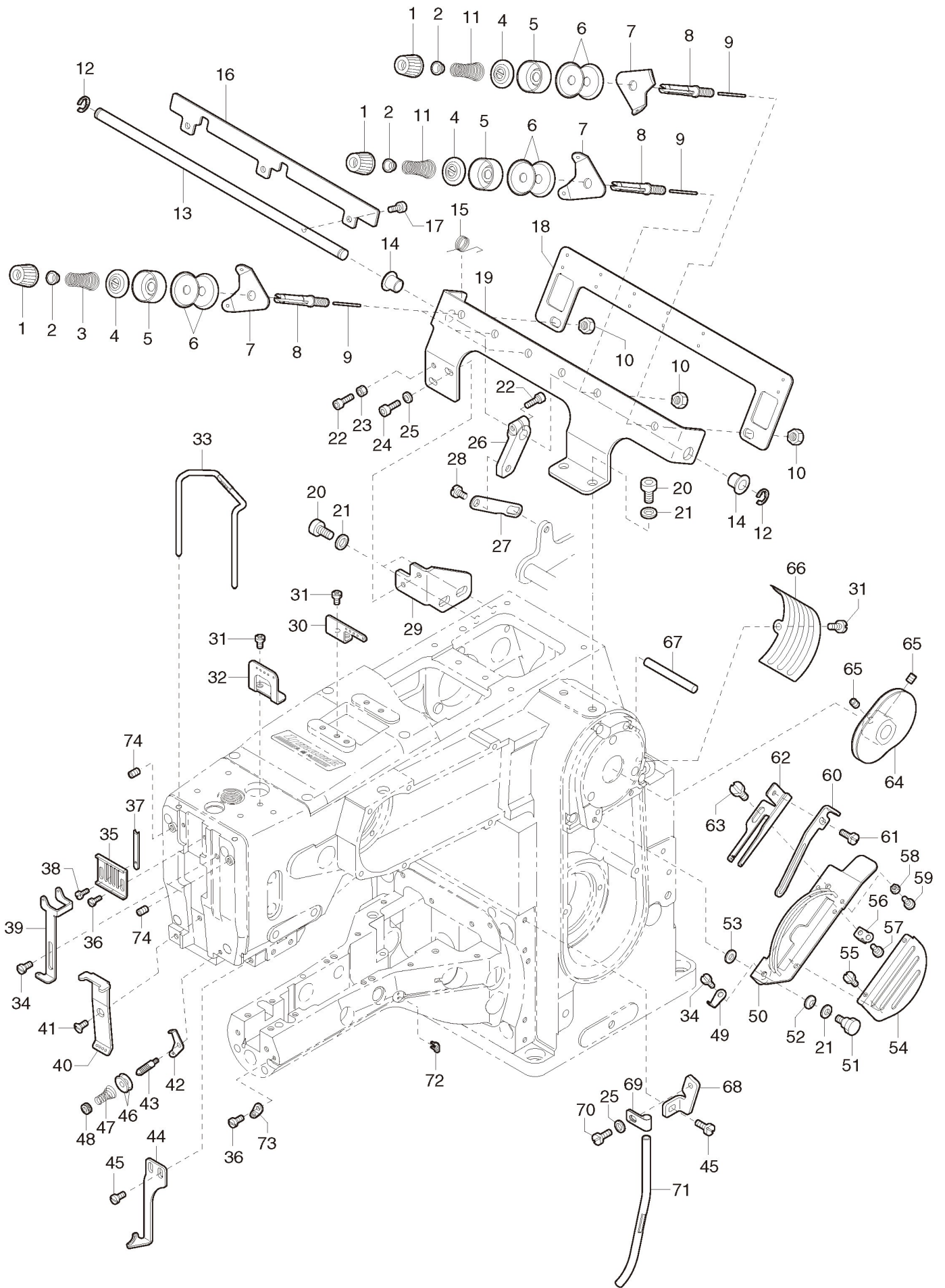


Ref.No.	Parts No.	Description	品名	Amt. Req
1	6500254 [6500010]	Cylinder Top Cover	縫台上蓋罩	1
2	190077	Screw(M4-0.7×10)	螺絲	8
3	000924 ◆	Seal Plug	油封	1
4	6500011	Cylinder Top Cover(Inner)	內置筒形上蓋板	1
5	6500288 ◆	Cylinder Oil Defender	擋油橡膠片	1
6	6500012	Cylinder Front Cover	筒形前蓋罩	1
7	6500314	Cover Latch Spring	彈簧卡	1
8	110033	Screw(M3-0.5×6)	螺絲	1
9	6500265	Fabric Guide(Left)	左分料角	1
10	110029	Screw(M3.5-0.6×6)	螺絲	2
11	6500266	Fabric Guide(Right)	右分料角	1
12	6500026	Cylinder Front Cover Pin	前罩銷	2
13	6500287 ◆	O-ring(P4)	O型圈	2
14	160001	Screw(M4-0.7×4)	螺絲	4
15	6200020	Thead Chain Cutting Knife	割線刀	1
16	110038	Screw(M2.5-0.4×4.5)	螺絲	1
17	6500034	Seal Plug	油封	1
18	6500035	Seal Plug	油封	7
19	190036	Plug Screw(M14-1×4)	螺絲	1
20	6500036 [6200259]	Cap	油栓	3
21	6500260 [6500019]	Bearing Cover(Small)	小軸承蓋	3
22	110048	Screw(M4-0.7×10)	螺絲	18
23	6500258 [6500016]	Lateral Belt Cover	同步帶前罩	1
24	6500022	Bearing Plate(Small)	小軸承蓋板	4
25	130007	Screw(M4-0.7×10)	螺絲	15
26	6500020	Bearing Cover(Small) Gasket	軸承蓋墊	4
27	6500257 [6500015]	Vertical Belt Cover(Lower)	垂直同步下罩	1
28	6500021	Bearing Plate(Large)	大軸承蓋板	1
29	6500018	Bearing Cover(Large) Gasket	軸承蓋墊板	2
30	6500255 [6500013]	Vertical Belt Cover(Upper)	垂直同步上罩	1
31	6500256 [6500014]	Vertical Belt Cover(Middle)	垂直同步中罩	1
32	110013 [110012]	Screw(M4-0.7×8) [M4-0.7×5]	螺絲	4
33	6500259 [6500017]	Bearing Cover	軸承	1
34	110045	Screw(M4-0.7×12)	螺絲	3
35	6500033	Seal Plug	封栓	5
36	190015	Screw(M14-2×6)	螺絲	1
37	110016	Screw(M4-0.7×15)	螺絲	3
38	6500340 ◆	Seal Plug	封栓	1
39	6200209	Seal Plug	封栓	1

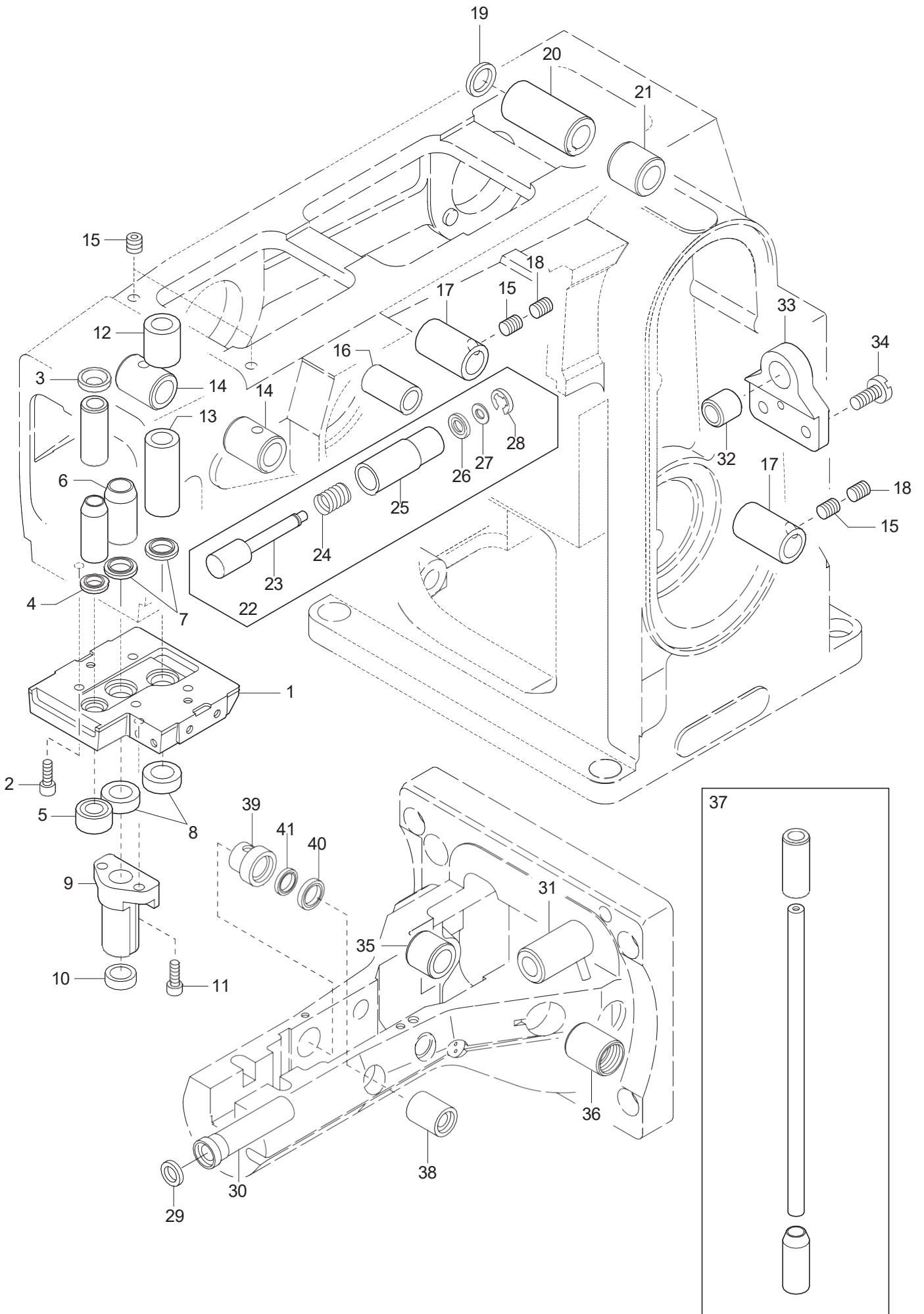


Ref.No.	Parts No.	Description	品名	Amt. Req
1	6100056	Thread Tnesion Spring Cap	夾線器帽	5
2	6100057	Tension Spring Bushing	墊圈	5
3	6100058	Tension Spring (Needle)	彈簧	3
4	6500302	Tension Spring Lift Washer	墊圈	5
5	6100060	Thread Tension Spring Retainer	彈簧固定罩	5
6	6100062	Tension Disc	夾線片	10
7	6500212	Tension Disc Eyelet	過線片	5
8	190095	Tension Post	緊線柱	5
9	6500211	Tension Disc Separator Pin	鬆線銷	5
10	100003	Nut	螺母	5
11	6100059	Tension Spring(Looper)	彈簧	2
12	6100343	Retaining Ring	卡簧	2
13	6500209	Tension Release Shaft	鬆線軸	1
14	6500213	Tension Release Bushing	鬆線軸套	2
15	6500214	Return Spring	彈簧	1
16	6500210	Tension Disc Separator	鬆線支架	1
17	120008	Screw(M4-0.7×8)	螺絲	3
18	6500206	Thread Guide Plate	過線架	1
19	6500215	Tension Post Support	過線支架	1
20	120010	Screw(M6-1×10)	螺絲	4
21	000425	Washer	墊片	5
22	120009	Screw(M4-0.7×12)	螺絲	2
23	000015	Nut	螺母	1
24	009770	Screw(M4-0.7×12)	螺絲	2
25	000538	Washer	墊片	3
26	6500208	Tension Release Lever	鬆線曲柄	1
27	6500207	Tension Release Lever Connector	鬆線連桿	1
28	170048	Screw(M5-0.8×5)	螺絲	1
29	6500216	Connecting Plate	支架	1
30	6500217	Needle Thread Eyelet(Rear)	過線	1
31	110012	Screw(M4-0.7×5)	螺絲	6
32	6500219	Needle Thread Eyelet(Middle)	過線板	1
33	6500223	Needle Thread Eyelet(Front)	過線架	1
34	110001	[110013] Screw(M4-0.7×5.4) [M4-0.7×8]	螺絲	2
35	6500221	Holder	線撐固定器	1
36	110002	[110084] Screw(M3-0.5×5) [M3-0.5×4.2]	螺絲	3
37	6500222	Needle Thread Strike-off Pin	銷子	4
38	110023	Screw(M2-0.4×3.5)	螺絲	4
39	6500224	Top Cover Thread Take-up Eyelet	裝飾線道	1
40	6500218	Needle Thread Guide	過線	1

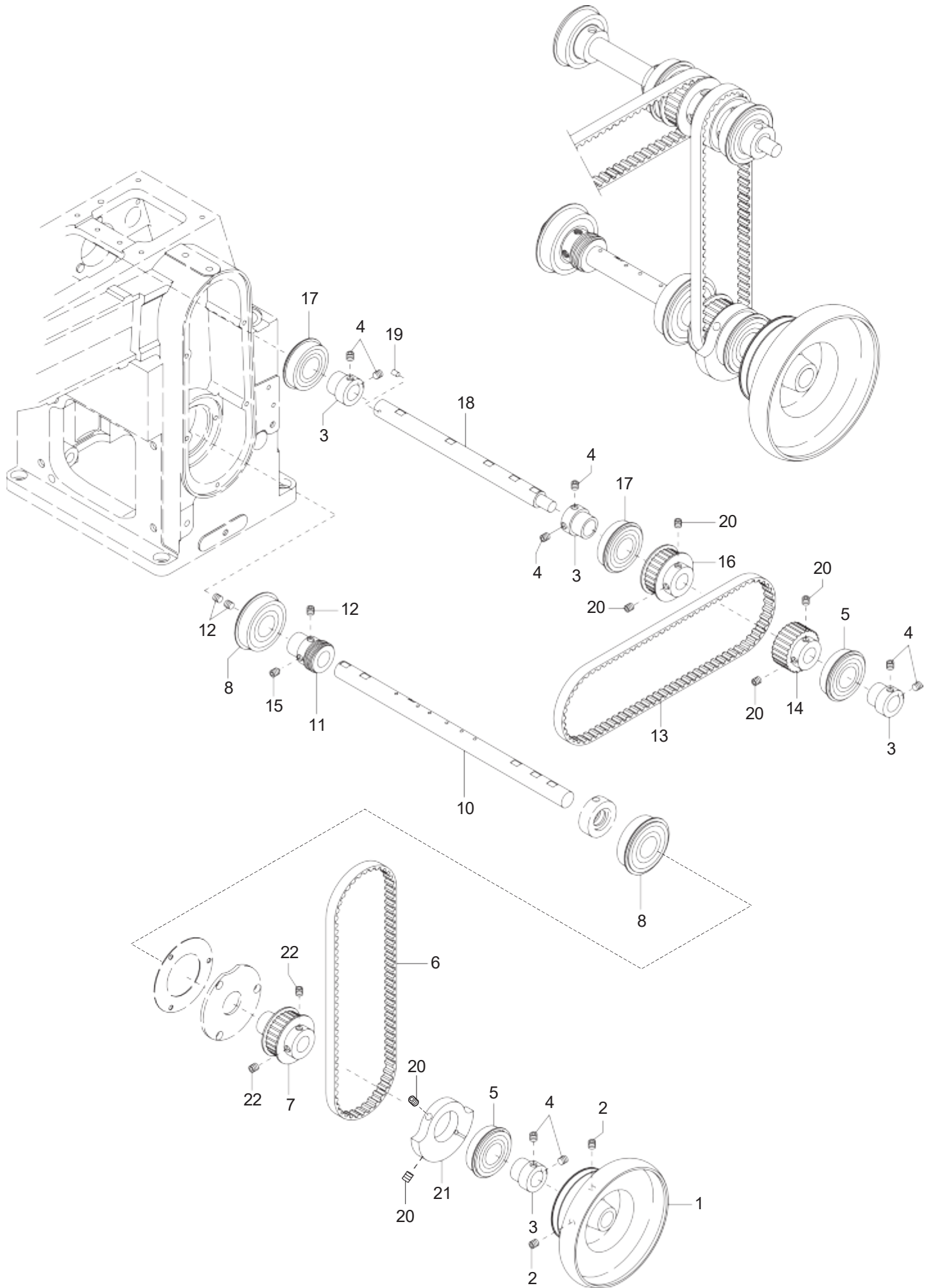
Ref. No. 41 to 74 See the following page.



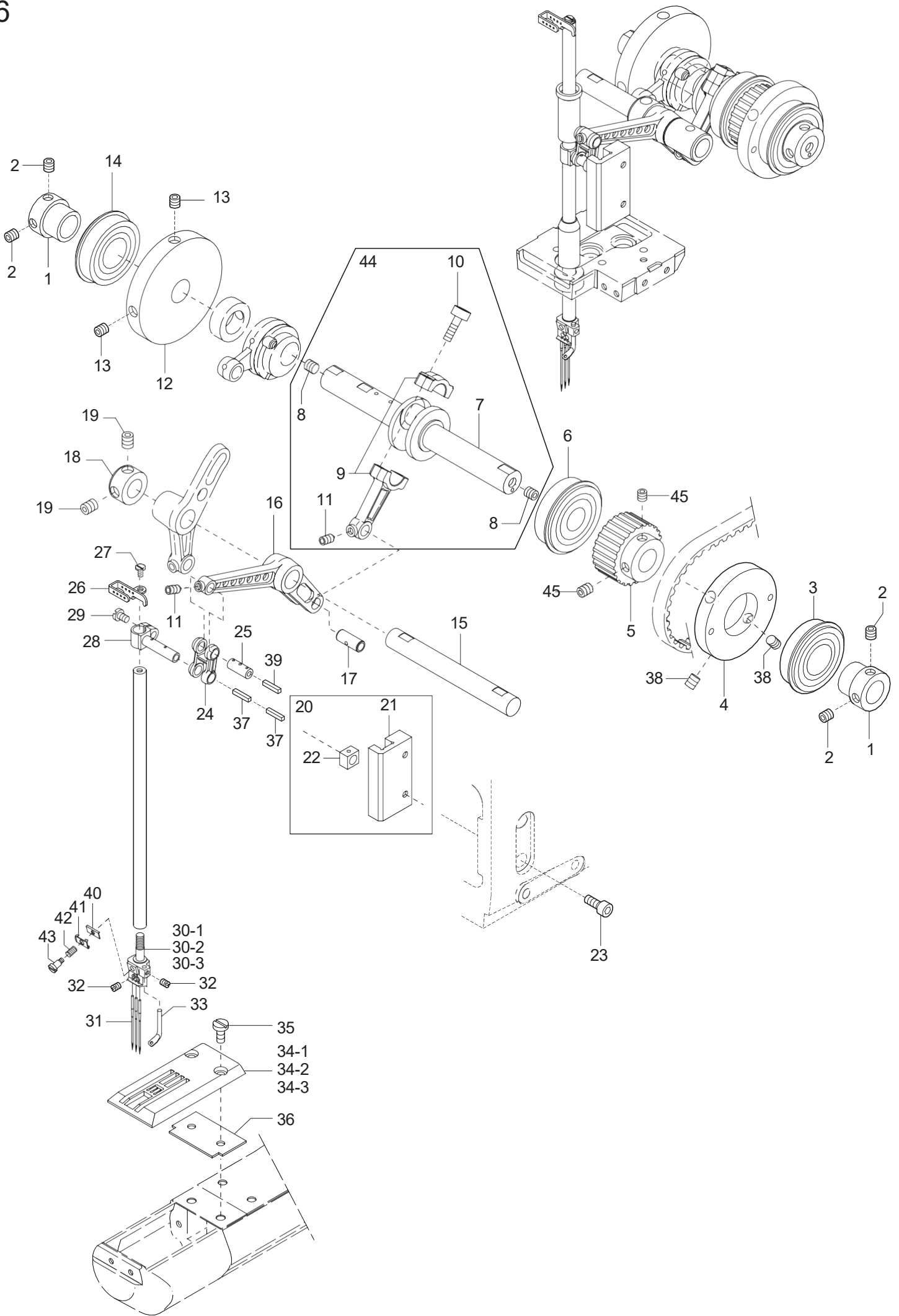
Ref.No.	Parts No.	Description	品名	Amt. Req
41	130021	Screw(M4-0.7×4.3)	螺絲	1
42	6500328	Top Cover Thread Eyelet	過線	2
43	290036 ◆	Tension Post	緊線柱	1
44	6500225	Top Cover Thread Guide	裝飾線導線器	1
45	110009	Screw(M4-0.7×8)	螺絲	3
46	6100086 ◆	Top Cover Tension Disc	沙拉輪上蓋	4
47	6100087 ◆	Top Cover Tension Spring	沙拉輪彈簧	1
48	000361 ◆	Nut	螺母	1
49	6100071	Looper Thread Eyelet	過線	1
50	6500228	Thread Take-up Eyelet Holder	凸輪線道安裝板	1
51	170044	[170032] Screw(M4-0.7×7) [M4-0.7×5]	螺絲	1
52	000010	Conical Spring Washer	墊片	1
53	300028	[300006] Washer	墊片	1
54	6500226	Thread Take-up Cover	挑線罩	1
55	110002	Screw(M3.5-0.5×5)	螺絲	2
56	6500314	Cover Latch Spring	彈簧卡	1
57	110030	[110033] Screw(M3-0.5×2.6) [M3-0.5×6]	螺絲	1
58	000012 ◆	Nut	螺母	1
59	110033 ◆	Screw(M3-0.5×6)	螺絲	1
60	6500230	Looper Thread Guide	線架	1
61	110050	Screw(M3.5-0.6×4.5)	螺絲	1
62	6500229	Thread Take-up Eyelet	凸輪線道	1
63	110008	Screw(M4-0.7×5)	螺絲	1
64	6500233	Looper Thread Take-up	張緊凸輪	1
65	160003	Screw(M5-0.8×5)	螺絲	2
66	6500227	Thread Take-up Cover(Rear)	挑線罩	1
67	340064	[340019] Pin	銷	1
68	6500338 ◆	Thread Pipe Stay Holder	螺紋管支架	1
69	6100074 ◆	Thread Pipe Stay	螺紋管固定架	1
70	110008 ◆	Screw(M4-0.7×7.6)	螺絲	1
71	6500337 ◆	Thread Pipe	線管	1
72	6500231	Looper Thread Eyelet(Middle)	過線	1
73	6500232	Looper Thread Eyelet(Front)	過線	1
74	160001	[110001] Screw(M4-0.7×4) [M4-0.7×5.4]	螺絲	2



Ref.No.	Parts No.	Description	品名	Amt. Req
1	650024	Needle Bar Oil Defender	針桿油封盤	1
2	120001	Screw(M4-0.7×14)	螺絲	4
3	6100105	Oil Seal	油封	1
4	6500066	Oil Seal	油封	1
5	6101044	Oil Seal	油封	1
6	6500169	Presser Bar Bushing	壓桿軸套(中)	1
7	6500170	Oil Seal	油封	2
8	6500172	Oil Seal	油封	2
9	6500171	Presser Bar Guide(Lower)	壓桿軸套(下)	1
10	6500316	Oil Seal	油封	1
11	120009	Screw(M4-0.7×12)	螺絲	2
12	6500341	[6100112] Spreader Shaft Bushing(Upper)	軸套	1
13	6500078	Spreader Shaft Bushing(Lower)	軸套	1
14	6500062	Needle Bar Rocking Shaft Bushing	軸套	2
15	160039	Screw(M5-0.8×8)	螺絲	4
16	6200081	Control Lever Shaft Bushing	軸套	1
17	6500084	Looper Rocker Shaft Bushing	軸套	2
18	160003	Screw(M5-0.8×5)	螺絲	2
19	6500320	Oil Seal	油封	1
20	6500183	Lifter Lever Bushing(Left)	軸套	1
21	6500184	Lifter Lever Bushing(Right)	軸套	1
22	6500166	Pushbutton, C. Set	按鈕	1
23	6500167	Pushbutton Pin	銷子	1
24	6200036	Pushbutton Spring	彈簧	1
25	6500168	Pushbutton Sleeve	按鈕套	1
26	6200171	Oil Seal	油封	1
27	000399	Washer	墊片	1
28	6100333	Retaining Ring	卡簧	1
29	6200323	Oil Seal	油封	1
30	6500080	Looper Shaft Bushing(Front)	下軸前套	1
31	6500281	Looper Shaft Bushing(Middle)Unit	下軸中套(組)	1
32	6500083	Looper Shaft Bushing(Rear)	下軸後套	1
33	6500082	Looper Shaft Bracket	支座	1
34	110011	Screw(M5-0.8×10)	螺絲	2
35	6500158	Feed Bar Shaft Bushing(Left)	軸套	1
36	6500159	Feed Bar Shaft Bushing(Right)	軸套	1
37	6500052	Needle Bar & Bushing, C. Set	針桿軸套	1
38	6500272 ◆	Feed Bar Block(Front) Shaft Bushing(Right)	前送料桿塊、和右側軸襯	1
39	6500283 ◆	Feed Bar Block(Front) Shaft Bushing(Left)	前送料桿塊、左側軸襯	1
40	6500284 ◆	Oil Seal	油封	1
41	6500320 ◆	Oil Seal	油封	1



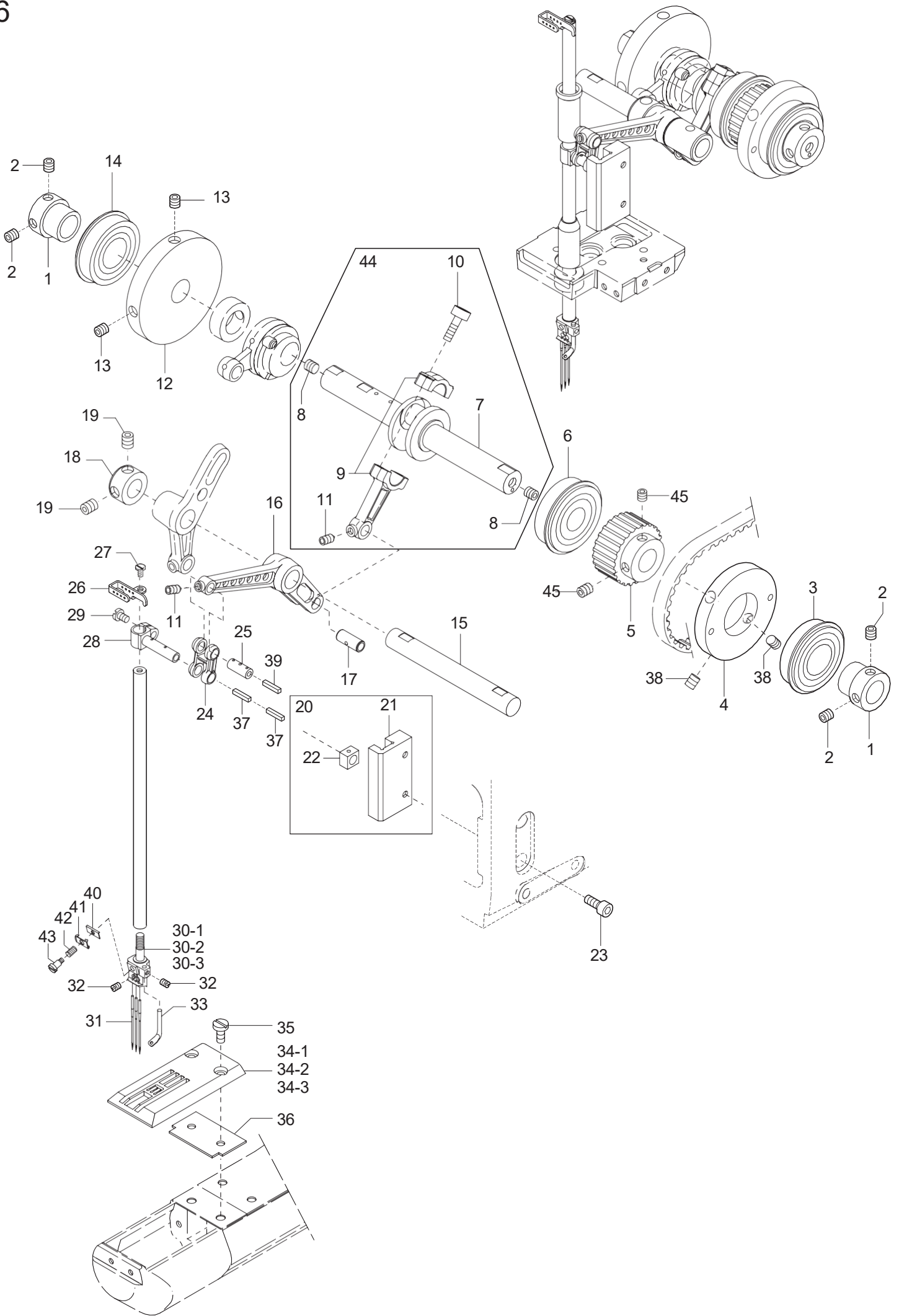
Ref.No.	Parts No.	Description	品名	Amt. Req
1	6500044	Pulley	皮帶輪	1
2	009740	Screw(M6-1×10)	螺絲	2
3	6500048	Adapter	軸承內襯套	4
4	160004	Screw(M6-1×4.8)	螺絲	8
5	6500051	Ball Bearing(42×20)	軸承	2
6	6500043	Timing Belt	同步帶	1
7	6500041	Main Shaft Timing Pulley(Lower)	主動同步輪	1
8	6500040	Ball Bearing (47×20)	軸承	2
9				
10	6500277 [6500039]	Main Shaft	主軸	1
11	6100126	Oil Pump Driving Worm	油泵蝸桿	1
12	160007	Screw(M6-1×6)	螺絲	3
13	6500049	Timing Belt(Lateral)	同步帶	1
14	6500042	Main Shaft Timing Pulley(Upper)	同步輪	1
15	160005	Screw(M6-1×8)	螺絲	1
16	6500050	Upper Shaft Timing Pulley	上軸同步輪	1
17	6500047	Ball Bearing(42×20)	軸承	2
18	6500046	Upper Shaft	上軸	1
19	000038 [340022]	Pin	銷子	1
20	160024	Screw(M6-1×8)	螺絲	6
21	6500234 ◆	Counter Weight	平衡塊	1
22	160007 [160024]	Screw(M6-1×6) [M6-1×8]	螺絲	2



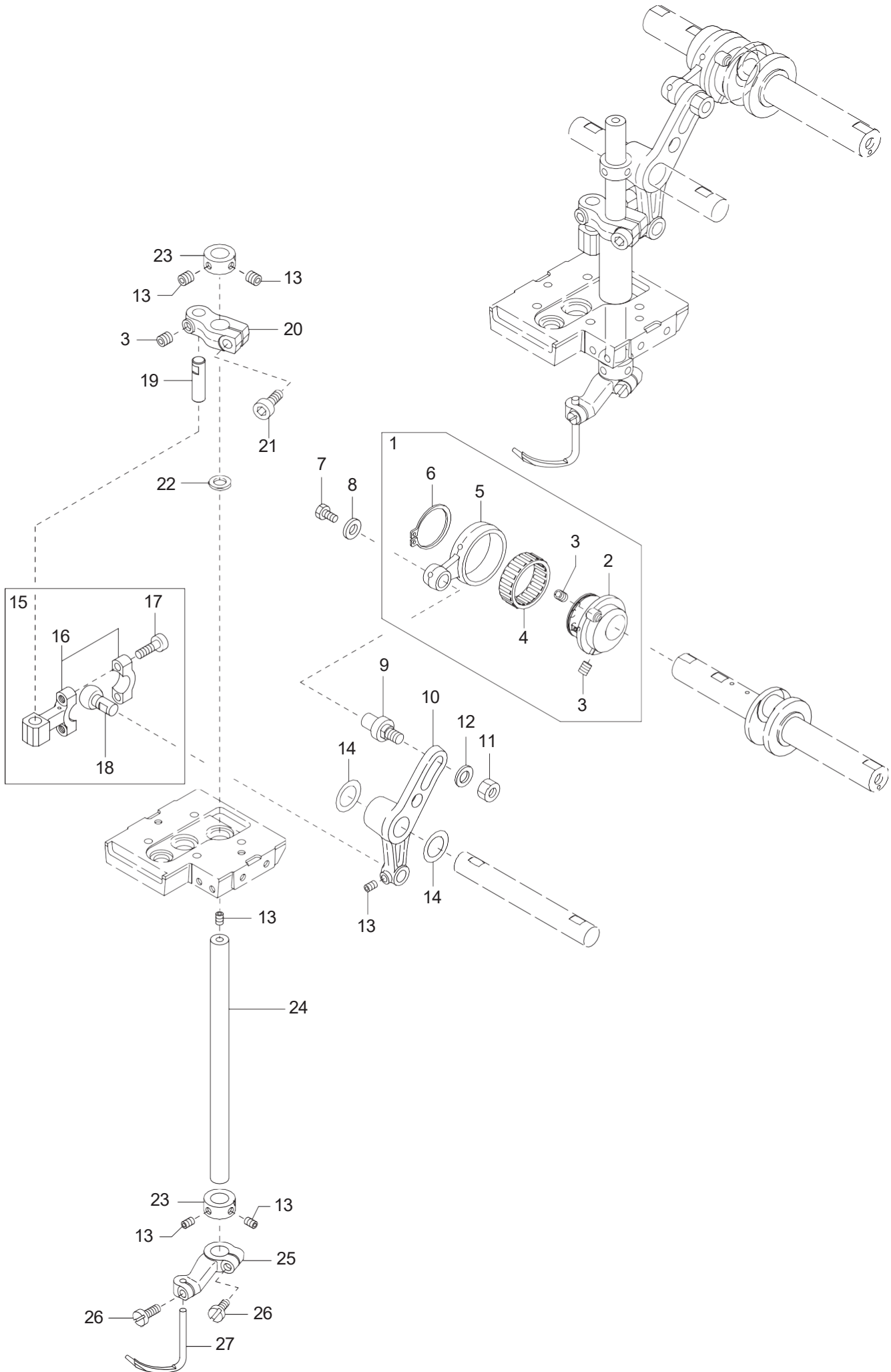
Ref.No.	Parts No.	Description	品名	Amt. Req
1	6500048	Adapter	軸承內套	2
2	160004	Screw(M6-1×4.8)	螺絲	4
3	6500051	Ball Bearing(42×20)	軸承	1
4	6500235 ◆	Counter Weight(Right)	平衡輪(右)	1
5	6500042	Main Shaft Timing Pulley(Upper)	同步輪	1
6	6500063	Ball Bearing(42×15)	軸承	1
7	6500053	Needle Bar Driving Shaft	針桿驅動軸	1
8	160007	Screw(M6-1×6)	螺絲	2
9	6500057	Needle Bar Connecting Rod	針桿銅連桿	1
10	120001	Screw(M4-0.7×14)	螺絲	2
11	160016	[160002] Screw(M4-0.7×4.5) [M4-0.7×5]	螺絲	2
12	6500064	Counterweight	平衡輪	1
13	009740	Screw(M6-1×10)	螺絲	2
14	6500047	Ball Bearing(42×20)	軸承	1
15	6500056	Needle Bar Rocking Shaft	針桿擺桿軸	1
16	6500054	Needle Bar Driving Lever	針桿擺桿	1
17	6500055	Driving Lever Pin	針桿連桿連接銷	1
18	6200086	Collar(12×20×10mm)	緊圈	1
19	160003	Screw(M5-0.8×5)	螺絲	2
20	6500059	Needle Bar Guide, C. Set	針桿滑塊組件	1
21	6500060	Needle Bar Guide	針桿滑塊導槽	1
22	6500061	Slide Block	針桿滑塊	1
23	120018	Screw(M4-0.7×10)	螺絲	2
24	6200087	Needle Bar Connecting Link	針桿小鏈桿	1
25	6200101	Needle Bar Connecting Link Pin	連接銷	1
26	6500342	[6500220] Needle Bar Thread Eyelet	針桿線道	1
27	004358	Screw(9/64-40×5.6)	螺絲	1
28	6500058	Needle Bar Bracket	針桿夾頭	1
29	110035	Screw(M4-0.7×10)	螺絲	1
30-1	6509102	Needle Clamp(48)	針座(48)	1
30-2	6509103	Needle Clamp(56)	針座(56)	1
30-3	6509104	Needle Clamp(64)	針座(64)	1
31	---	Needle	針	3
32	001900	Screw(1/8-44×2.4)	機針螺絲	4
33	6100176	Top Cover Thread Eyelet	繡針小過線	1
34 - 1	6508052 ◆	Stitch Plate(48L)	針板(48L)	1
34 - 2	6508053 ◆	Stitch Plate(56L)	針板(56L)	1
34 - 3	6508054 ◆	Stitch Plate(64L)	針板(64L)	1
35	110049	[190077] Screw(M4-0.7×10) [M4-0.7×10]	螺絲	2
36	6500025	Stitch Plate Spacer	針板墊	1
37	000309 ◆	Oil Wick	油芯	2
38	160039 ◆	Screw(M5-0.8×8)	螺釘	2
39	310089 ◆	Oil Wick	油芯	1
40	6100193 ◆	Thread Retainer Disc Plate	線保持盤	1

Ref. No. 41 to 45

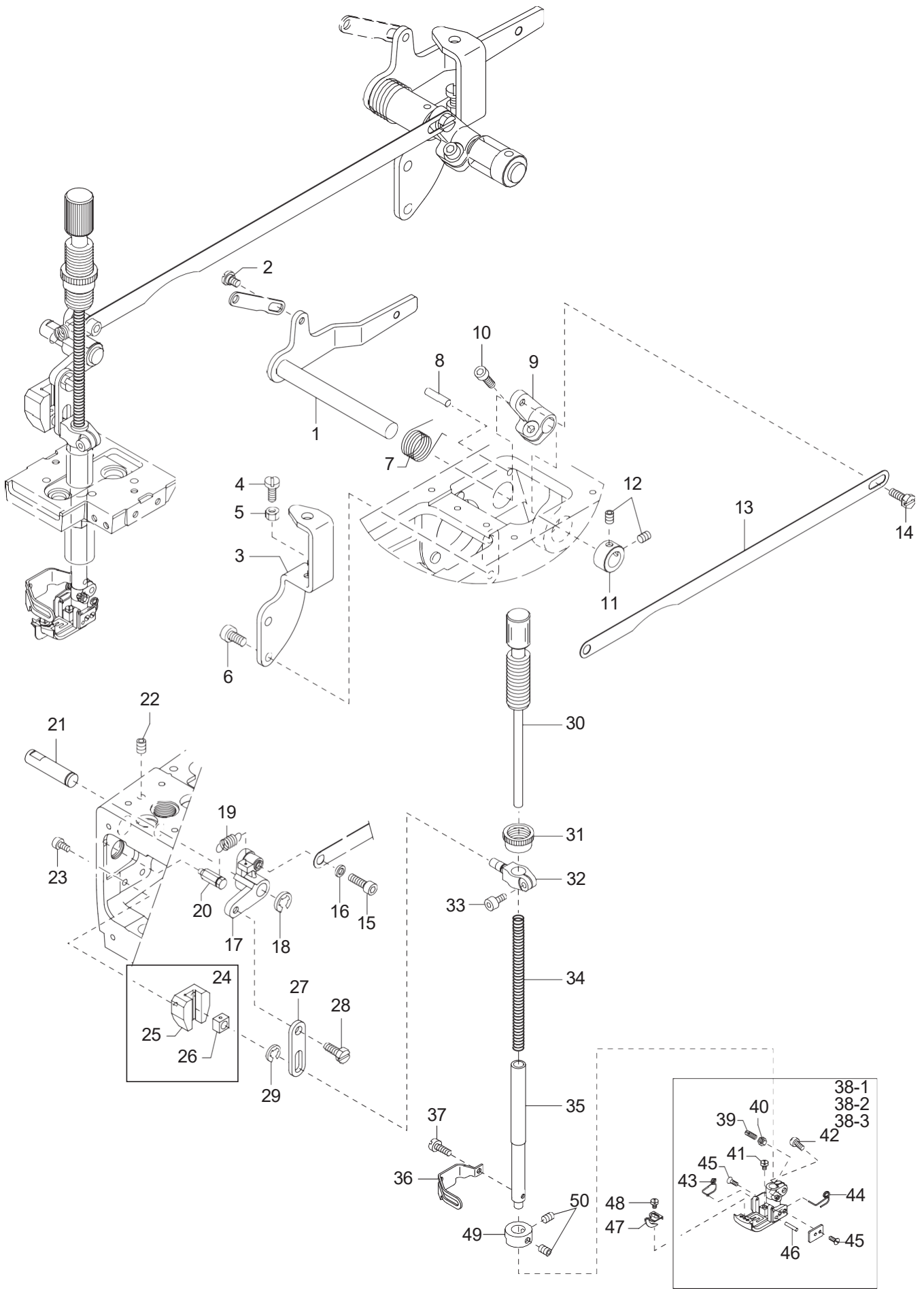
See the following page.



Ref.No.	Parts No.	Description	品名	Amt. Req
41	6100194 ◆	Needle Thread Retainer Disc	針線保持盤	1
42	6100195 ◆	Needle Thread Retainer Spring	針線保持彈簧	1
43	001093 ◆	Screw(1/8-44×2.2)	螺絲	1
44	6500339 ◆	Needle Bar Driving Shaft,C. Set	針桿驅動軸 (C)	1
45	160007 [160024]	Screw(M6-1×6) [M6-1×6]	螺絲	2



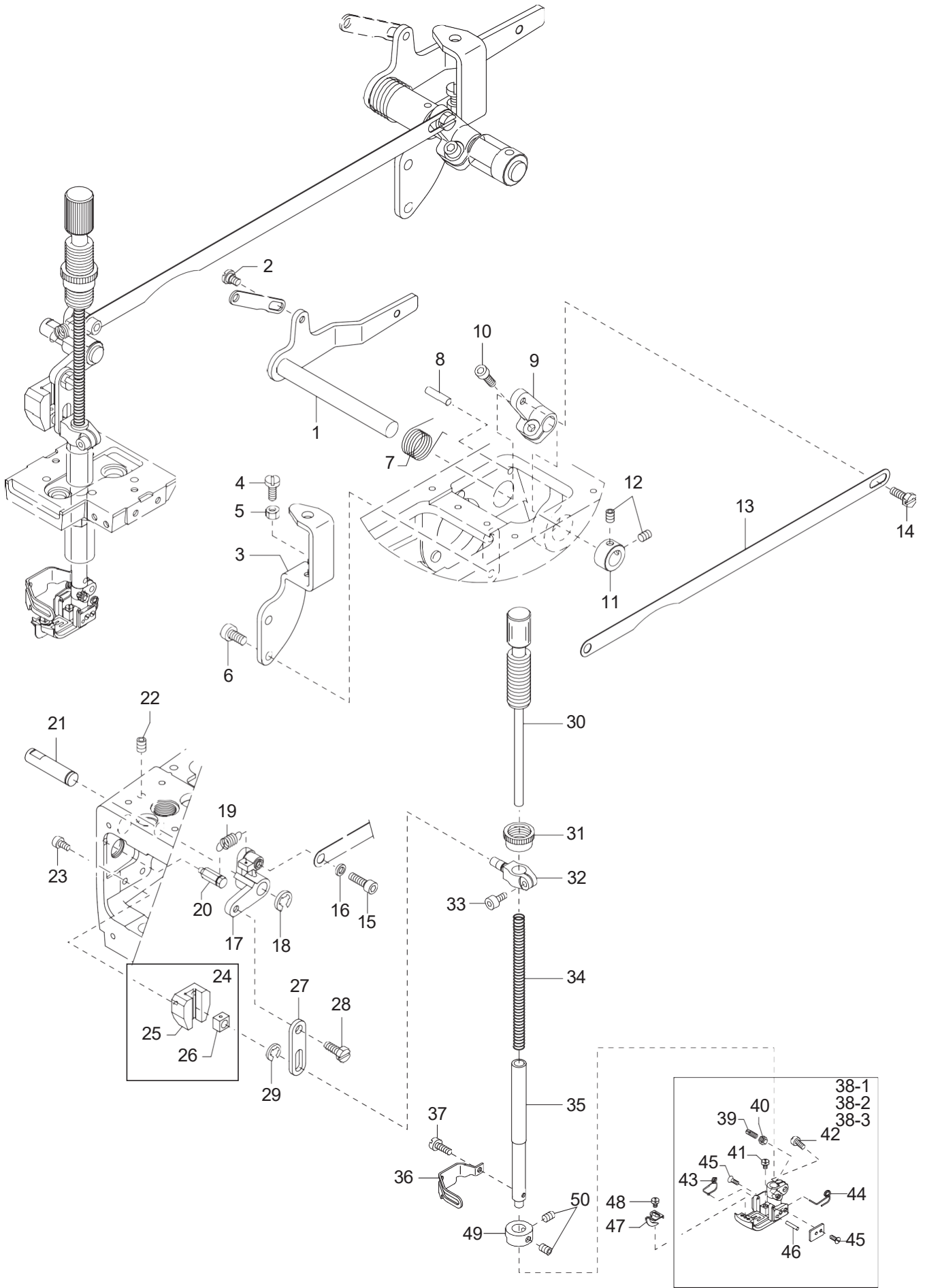
Ref.No.	Parts No.	Description	品名	Amt. Req
1	6500067	Spreader Connecting Rod, C. Set	繃針凸輪偏心組	1
2	6500068	Spreader Eccentric	繃針偏心輪	1
3	160003	Screw(M5-0.8×5)	螺絲	3
4	6100811	Roller Bearing	滾針軸承	1
5	6500069	Spreader Connecting Rod	繃針大連桿	1
6	6500075	Retaining Ring	卡簧	1
7	140014	Screw(M4-0.7×8)	螺絲	1
8	300006	Washer	墊圈	1
9	6500070	Adjusting Pin	繃針行程調節螺絲	1
10	6500071	Spreader Driving Arm	繃針曲柄	1
11	100003	Nut	螺母	1
12	000528	Washer	墊圈	1
13	160001	Screw(M4-0.7×4)	螺絲	6
14	6500157	Thrust Washer	摩擦墊片	2
15	6500072	Spreader Link, C. Set	繃針小連桿級件	1
16	6500073	Spreader Link	繃針小連桿	1
17	120001	Screw(M4-0.7×14)	螺絲	2
18	6500074	Spreader Ball	小連桿球曲柄	1
19	6500077	Pin	連接銷	1
20	6500076	Spreader Rocking Arm	繃針軸曲柄	1
21	120017	Screw(M5-0.8×15)	螺絲	1
22	6200263	Thrust Plate	墊圈	1
23	6100235	Collar(10×17×8mm)	緊圈	2
24	6500079	Spreader Shaft	繃針軸	1
25	6100228	Spreader Holder	繃針架	1
26	110031	Screw(M4-0.7×12)	螺絲	2
27	6109305	Spreader	繃針	1



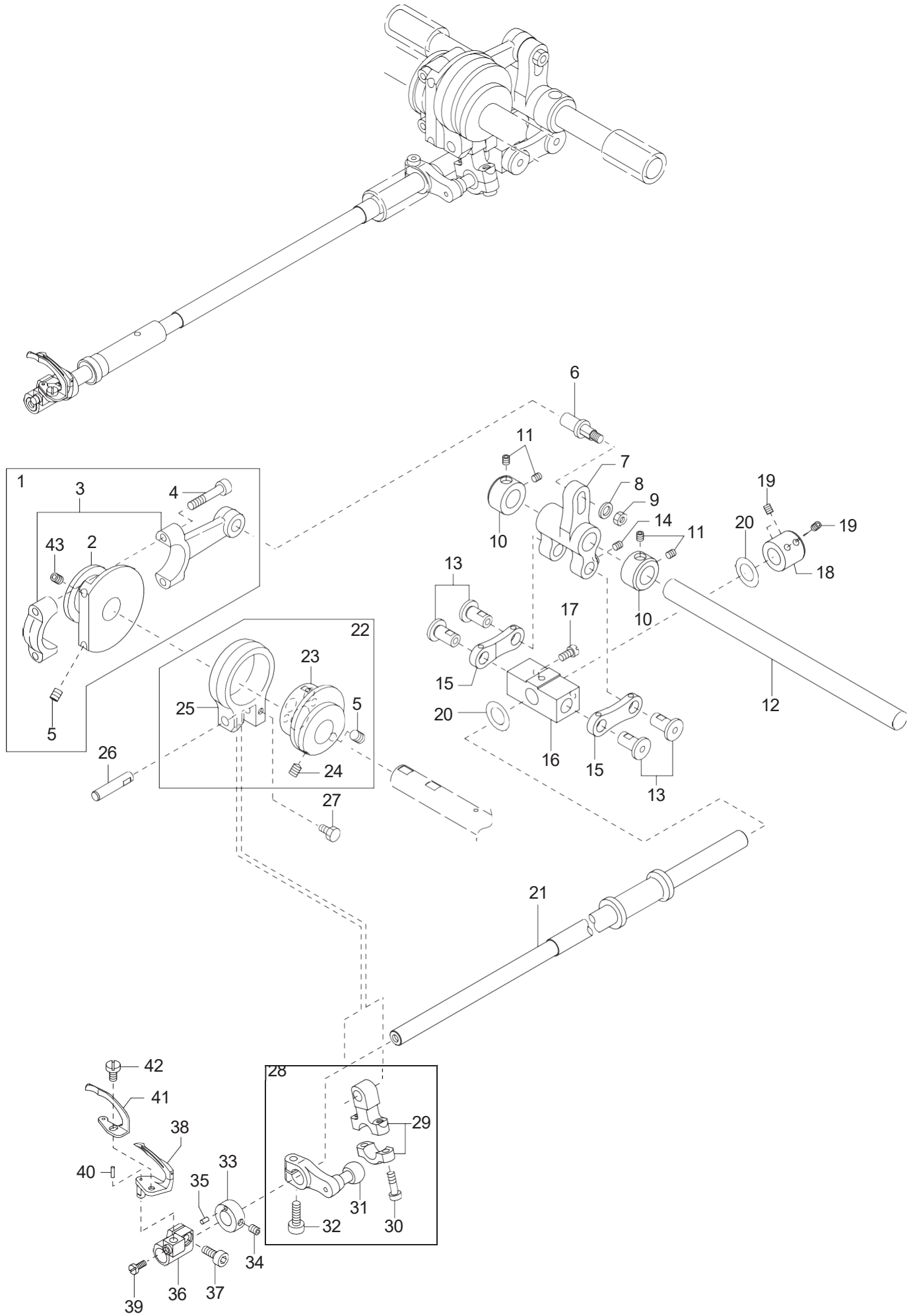
Ref.No.	Parts No.	Description	品名	Amt. Req
1	6500180	Lifter Lever	抬壓腳槓桿	1
2	170048	Screw(M5-0.8×5)	螺絲	1
3	6500188	Lifter Lever Stopper	抬壓腳限位板	1
4	110021	Screw(M5-0.8×18)	螺絲	1
5	000206	Nut	螺母	1
6	120006	Screw(M6-1×12)	螺絲	2
7	6500310	Spring	復位簧	1
8	340003	Knock Pin(F 5×20mm)	復位簧擋銷	1
9	6500177	Lifter Shaft Lever	抬壓腳連桿槓桿	1
10	120017	Screw(M5-0.8×15)	螺絲	1
11	6200086	Collar(12×20×10mm)	緊圈	1
12	160003	Screw(M5-0.8×5)	螺絲	2
13	6500176	Lifter Connecting Plate	連接鋼條	1
14	140035	Screw(M5-0.8×4.8)	螺絲	1
15	005049	Screw(M5-0.8×8)	螺絲	1
16	300000	Washer	墊圈	1
17	6500175	Lifter Link Lever	壓腳吊桿曲柄	1
18	6200038	Retaining Ring	開口卡簧	1
19	6500306	Return Spring	拉簧	1
20	6500182	Spring Hanger	拉簧固定銷	1
21	6500181	Lifter Pin	曲柄固定軸	1
22	160007	Screw(M6-1×6)	螺絲	1
23	120018	[120008] Screw(M4-0.7×10) [M4-0.7×8]	螺絲	2
24	6500189	Presser Bar Guide, C. Set	壓腳滑塊組件	1
25	6500190	Presser Bar Guide	壓腳滑塊座	1
26	6500061	Slide Block	壓腳滑塊	1
27	6500174	Lifter Link	壓腳桿連接片	1
28	140034	Screw(M5-0.8×10.5)	螺絲	1
29	6200346	Retaining Ring	開口卡簧	1
30	6500178	Presser Spring Regulator	壓腳調節螺桿	1
31	000445	Lock Nut	抬壓桿連結片	1
32	6500179	Presser Bar Connecting Bracket	壓腳軸夾頭	1
33	120018	Screw(M4-0.7×10)	螺絲	1
34	6100788	Presser Bar Spring	壓腳彈簧	1
35	6500173	Presser Bar	壓腳軸	1
36	6100205	Finger Guard	防護片	1
37	110002	Screw(M3.5-0.5×5)	螺絲	1
38 - 1	6507012 ◆	Presser Foot, C. Set(48)	壓腳(48)	1
38 - 2	6507013 ◆	Presser Foot, C. Set(56)	壓腳(56)	1
38 - 3	6507014 ◆	Presser Foot, C. Set(64)	壓腳(64)	1
39	260006	Screw(1/8-44×9.5)	壓腳調節螺釘	1
40	000327	Nut	螺母	1

Ref. No. 41 to 50

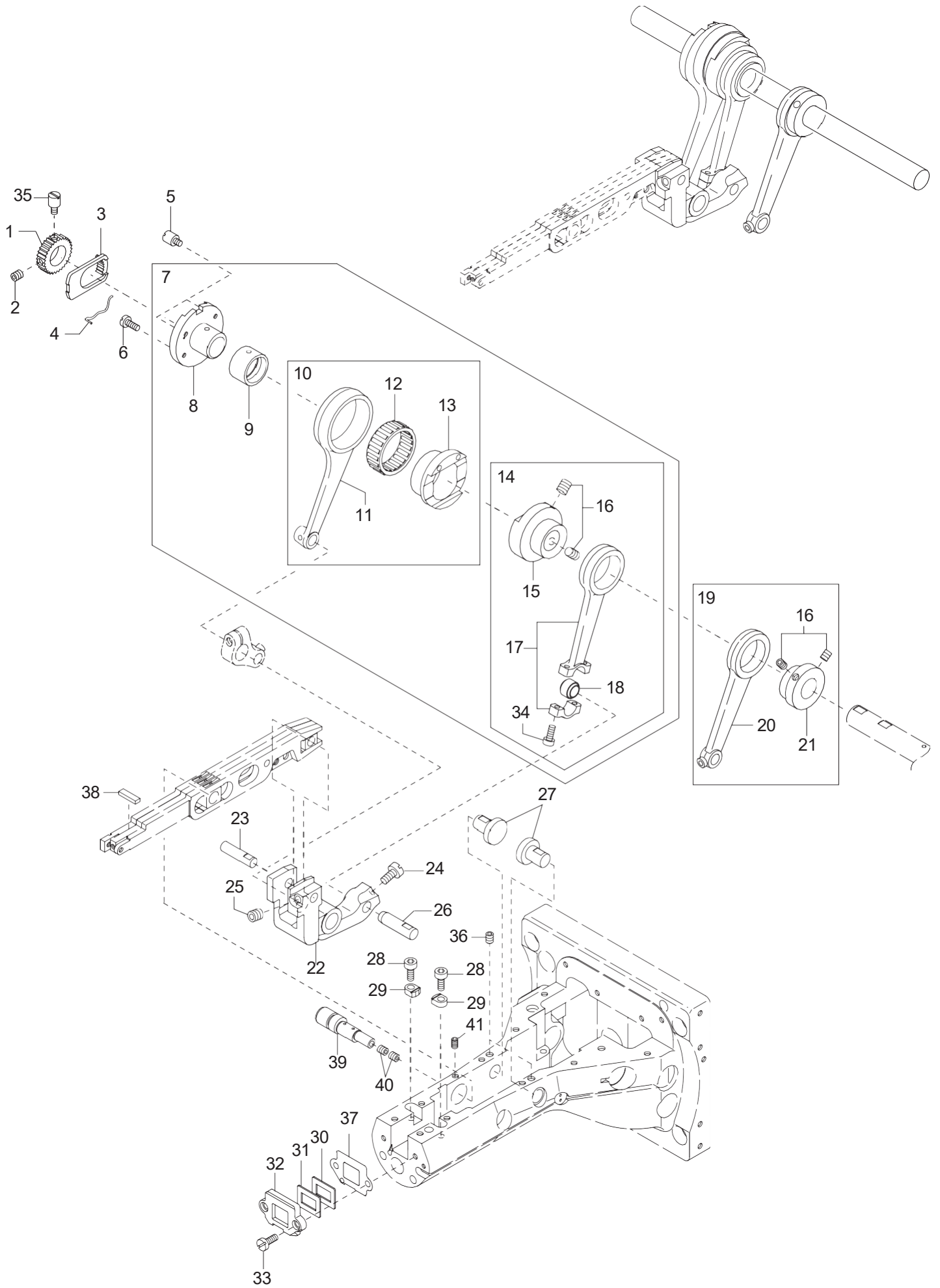
See the following page.



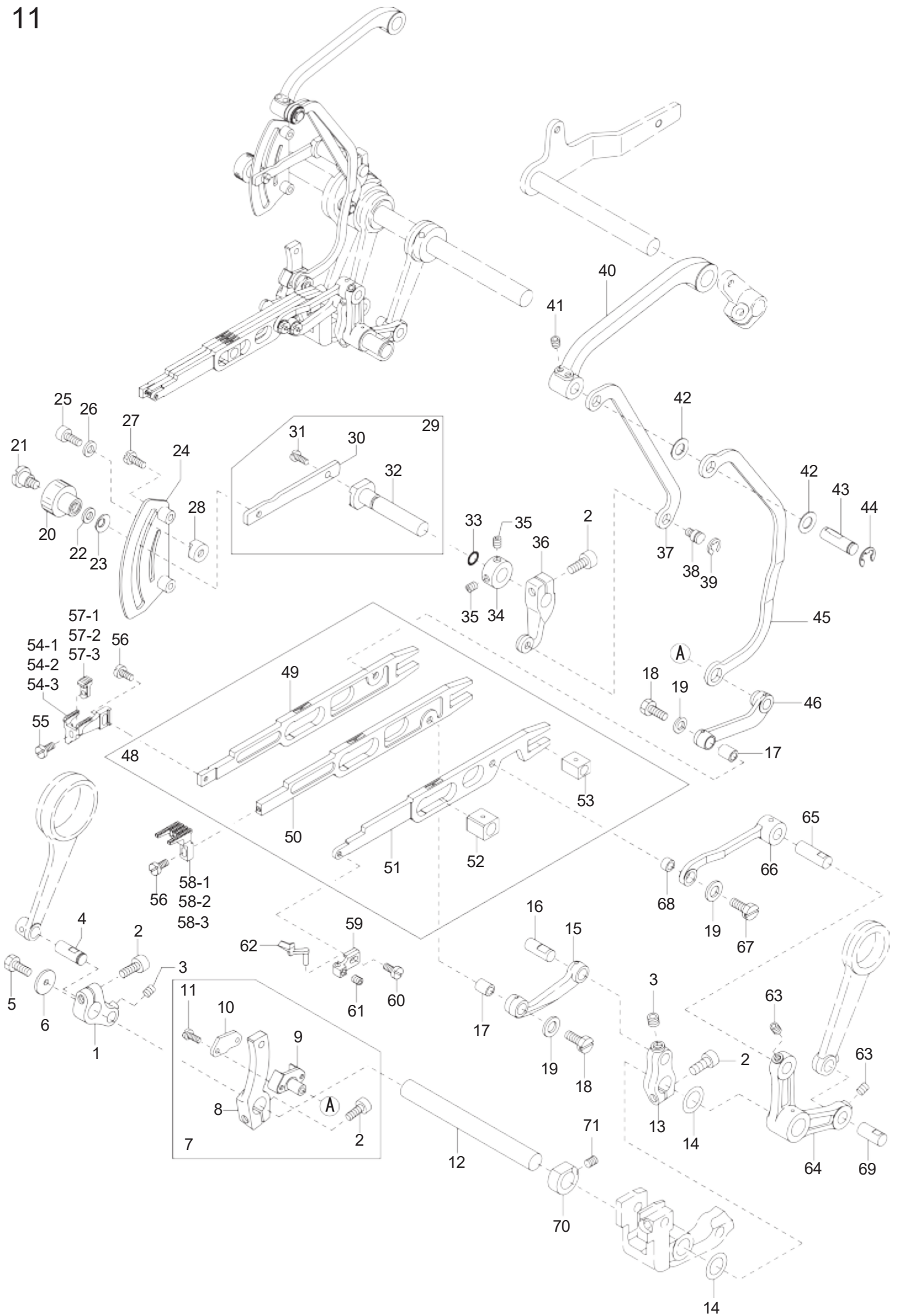
Ref.No.	Parts No.	Description	品 名	Amt. Req
41	110084	Screw(M3-0.5×4.2)	螺絲	1
42	110004	Screw(M3-0.6×8)	螺絲	1
43	6107005	Presser Foot Spring(Left)	壓腳彈簧(左)	1
44	6107006	Presser Foot Spring(Right)	壓腳彈簧(右)	1
45	130016	Screw(M2.5-0.45×4)	螺絲	4
46	6107033	Pin	連接銷	1
47	6507030◆	Fabric Guide	導布片	1
48	110027	Screw(M2.7-0.45×3.5)	螺絲	1
49	6500343 ◆	Collar(9×17×7mm)	緊圈	1
50	160001 ◆	Screw(M4-0.7×4)	螺絲	2



Ref.No.	Parts No.	Description	品名	Amt. Req
1	6500085	Looper Rocker Connecting Rod, C. Set	彎針前後擺動凸輪組	1
2	6500086	Looper Rocker Eccentric	偏心凸輪	1
3	6500087	Looper Rocker Connecting Rod	彎針前後擺動連桿	1
4	120060	Screw(M4-0.7×25)	螺絲	1
5	160039	Screw(M5-0.8×8)	螺絲	2
6	6500098	Connecting Rod Pin	銷子	1
7	6500089	Looper Rocker Shaft Lever	曲柄	1
8	300000	Washer	墊圈	1
9	100002	Nut	螺母	1
10	6200086	Collar(12×20×10mm)	擋圈	2
11	160003	Screw(M5-0.8×5)	螺絲	4
12	6500088	Looper Rocker Shaft	擺動軸	1
13	6500090	Pin	銷子	4
14	009736	Screw(M4-0.7×6)	螺絲	2
15	6500097	Looper Rocker Connecting Link	連接桿	2
16	6500093	Looper Shaft Joint	彎針軸座	1
17	110068	Screw(M4-0.7×8)	螺絲	2
18	6500094	Collar(9×16×14mm)	擋圈	1
19	160001	Screw(M4-0.7×4)	螺絲	4
20	6500095	Thrust Ring	墊片	2
21	6500092	Looper Shaft	彎針軸	1
22	6500099	Looper Connecting Rod, C. Set	彎針左右擺動凸輪組	1
23	6500100	Looper Eccentric	彎針左右擺動偏心凸輪	1
24	006206	[160039] Screw(M5-0.8×8) [M5-0.8×8]	螺絲	1
25	6500105	Looper Connecting Rod	彎針左右擺動大連桿	1
26	6500104	Pin	大連桿連接銷	1
27	140014	Screw(M4-0.7×8)	螺絲	1
28	6500279	[6500101] Looper Lever Link, C. Set	彎針左右擺動小連桿組	1
29	6500102	Looper Lever Link	彎針擺動連桿	1
30	120009	Screw(M4-0.7×12)	螺絲	2
31	6500280	[6500096] Looper Driving Lever	彎針驅動連桿	1
32	120001	Screw(M4-0.7×14)	螺絲	1
33	6500106	Collar(8×15×5.6mm)	彎針台套環	1
34	160030	Screw(M3.5-0.6×3)	螺絲	1
35	000687	Pin	銷子	1
36	6500107	Looper Holder	彎針台套環	1
37	120008	Screw(M4-0.7×8)	螺絲	1
38	6509300	Looper	彎針	1
39	110083	Screw(M3.5-0.6×4.5)	螺絲	1
40	000711	Pin	銷子	1
41	6509200	Needle Guard(Front)	前護針	1
42	110002	Screw(M3-0.5×5)	螺絲	1
43	160039	[006206] Screw(M5-0.8×8) [M5-0.8×8]	螺絲	1

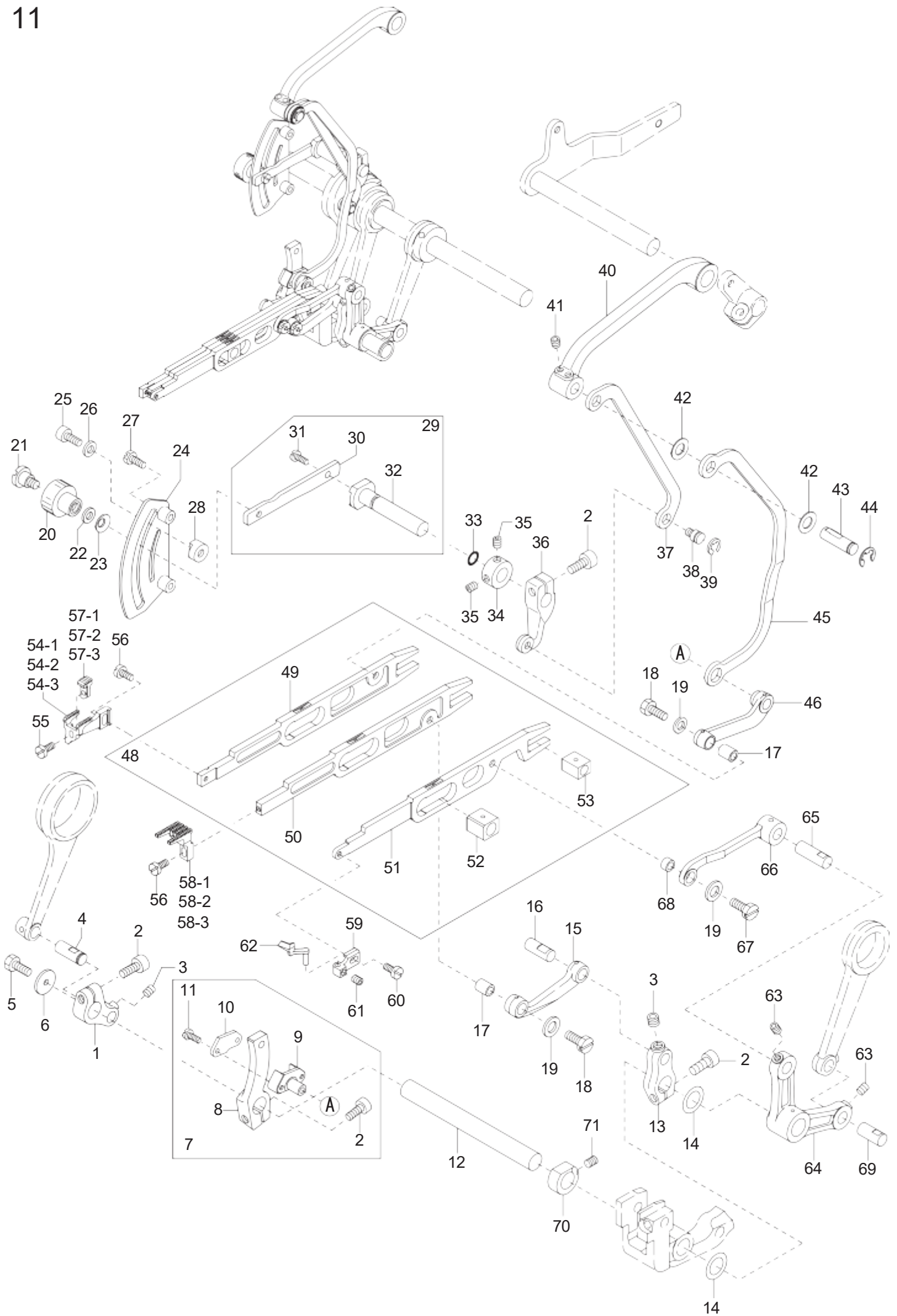


Ref.No.	Parts No.	Description	品名	Amt. Req
1	6500311	Feed Dog Regulating Gear	齒輪	1
2	160003	Screw(M5-0.8×5)	螺絲	1
3	6500322	Feed Dog Regulating Plate	調節內齒	1
4	6500324	Feed Dog Regulating Plate Spring	彈簧	1
5	180002	Screw(M3-0.5×4)	螺絲	1
6	110070	Screw(M3-0.5×6.3)	螺絲	1
7	6500295	[6500116] Feed Regulator, C. Set	送布調節器組件	1
8	6500156	Feed Dog Regulating Eccentric	送布調節器凸輪	1
9	6500323	Eccentric Link	凸輪套	1
10	6500153	Feed Bar Connecting Rod, C. Set	送布曲柄組件	1
11	6500155	Feed Bar Connecting Rod	送布曲柄連桿	1
12	6500329	Roller Bearing	滾針軸承	1
13	6500154	Feed Driving Eccentric	凸輪	1
14	6500296	[6500117] Feed Lift Connecting Rod, C. Set(2)	凸輪組件	1
15	6500297	[6500118] Feed Lift Eccentric	凸輪	1
16	160039	Screw(M5-0.8×8)	螺絲	4
17	6500119	Feed Lift Connecting Rod	送料連桿	1
18	6500321	Rod Ball	球曲柄	1
19	6500108	Needle Guard Connecting Rod, C. Set	護針連桿組件	1
20	6500110	Needle Guard Connecting Rod	針護連接杆	1
21	6500109	Needle Guard Eccentric	護針凸輪	1
22	6500268	[6500122] Feed Lift Arm	送料曲柄	1
23	6500269	[6500124] Feed Bar Block(Rear) Shaft	前軸	1
24	110046	◆ Screw(M5-0.8×15.3)	螺絲	1
25	160039	◆ Screw(M5-0.8×8)	螺絲	1
26	6500120	Pin	銷子	1
27	6500345	◆ Feed Bar Guide(Rear)	後送料杆導軌	2
28	120008	Screw(M4-0.7×8)	螺絲	2
29	6500162	Feed Bar Guide(Front)	送料牙架	2
30	6500165	Feed Bar Shield(Rear)	油封	1
31	6500164	Feed Bar Shield(Front)	油封	1
32	6500163	Feed Bar Support	送料桿支架	1
33	110009	Screw(M4-0.7×8)	螺絲	2
34	120001	[120009] Screw(M4-0.7×14) [M4-0.7×12]	螺絲	2
35	180003	Screw(M5-0.8×8)	螺絲	1
36	006212	Screw(M5-0.8×6)	螺絲	2
37	6500293	◆ Feed Bar Shield Plate	擋油片	1
38	6500335	◆ Feed Bar Wiper	送料撥線杆	1
39	6500270	◆ Feed Bar Block(Front) Shaft	後軸	1
40	160001	◆ Screw(M4-0.7×4)	螺絲	2
41	009736	◆ Screw(M4-0.7×6)	螺絲	1

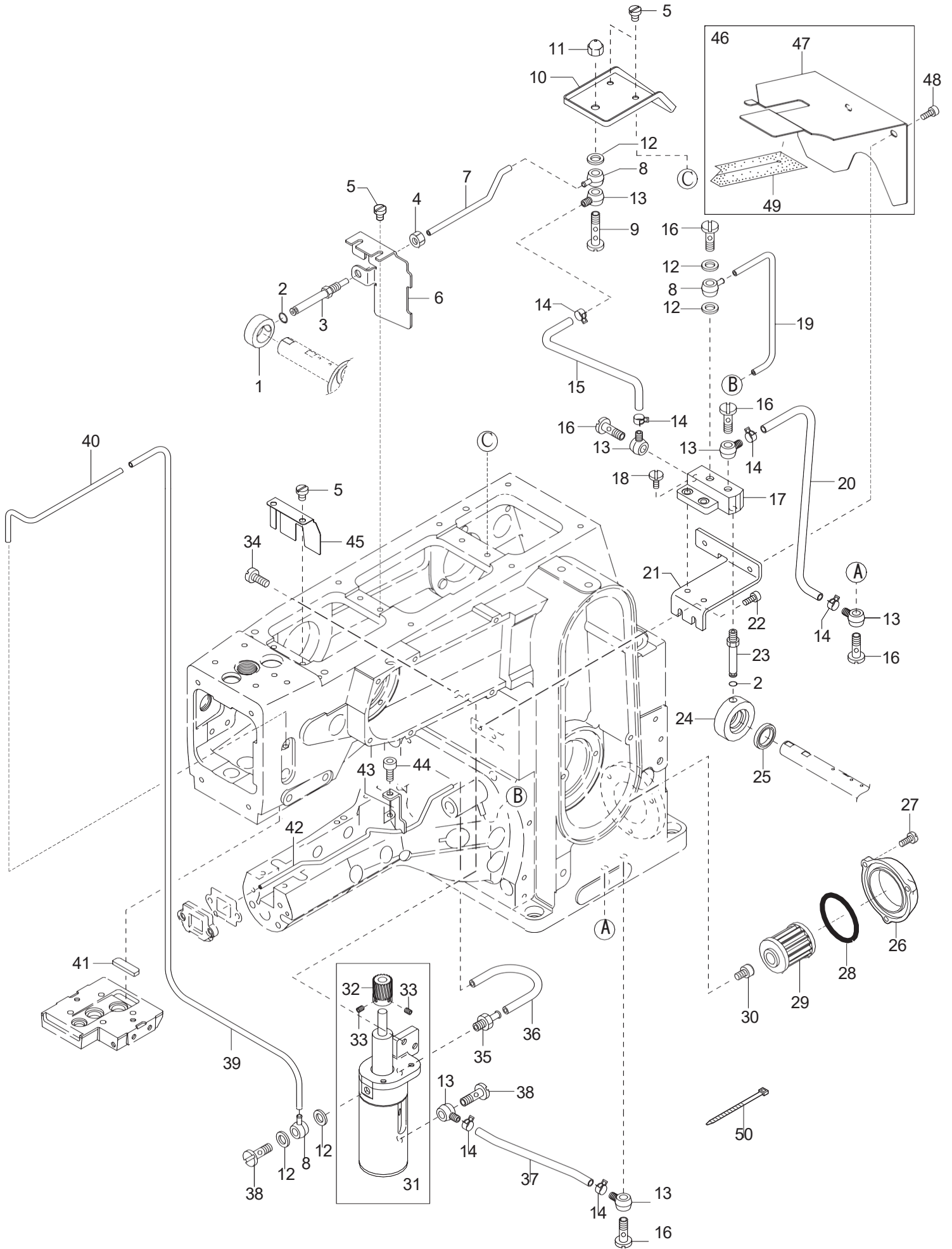


Ref.No.	Parts No.	Description	品名	Amt. Req
1	6500135	Feed Bar Driving Shaft Lever	送料驅動臂	1
2	120013	Screw(M6-1×15)	螺絲	4
3	160007	Screw(M6-1×6)	螺絲	2
4	6500141	Connecting Rod Pin	銷子	1
5	140010	Screw(M4-1×6)	螺絲	1
6	6500161	Thrust Plate	墊圈	1
7	6500131	Differential Rocker, C. Set	差動送料組件	1
8	6500132	Differential Rocker	差動曲柄	1
9	6500133	Slider	滑塊	1
10	6500134	Slider Cap	滑塊蓋片	1
11	110033	Screw(M3-0.5×6)	螺絲	1
12	6500160	Feed Bar Driving Shaft	送料驅動軸	1
13	6500136	Main Feed Bar Lever	主送料桿	1
14	6500157	Thrust Washer	墊圈	2
15	6500138	Main Feed Bar Connection	主送料連桿	1
16	6200142	Connecting Link Pin	銷子	1
17	6200265	Connecting Bushing	軸承	2
18	140000	Screw(M5-0.5×15.5)	螺絲	2
19	300000	Washer	墊圈	3
20	6500317	Lock Nut	螺母	1
21	190004	Screw(M6-1×7.5, M4.5-0.5×3)	螺絲	1
22	000600 ◆	Washer	墊圈	1
23	000010	Conical Spring Washer	墊片	1
24	6500130	Differential Feed Graduations	差動刻度盤	1
25	005049	Screw(M5-0.8×8)	螺絲	1
26	000669	Washer	墊圈	1
27	110016	Screw(M4-0.7×15)	螺絲	2
28	6100269	Differential Lever Stop	差動限位板	1
29	6500125	Differential Lever(Left), C. Set	差動扳手組	1
30	6500129	Differential Lever(Left)	差動調節桿	1
31	110009	Screw(M4-0.7×8)	螺絲	1
32	6500128	Differential Lever Shaft	差動軸	1
33	6100363	O-ring(P7)	O型圈	1
34	6200092	Collar(10×19×9mm)	擋圈	1
35	160003	Screw(M5-0.8×5)	螺絲	2
36	6500126	Differential Lever(Right)	差動曲柄	1
37	6500292 [6500127]	Slider Link(Short)	差動連桿(短)	1
38	6100360	Silder Link Pin	銷子	1
39	6100343	Retaining Ring	卡簧	1
40	6500290 ◆	Differential Arm	差動支撐連桿	1

Ref. No. 41 to 71 See the following page.



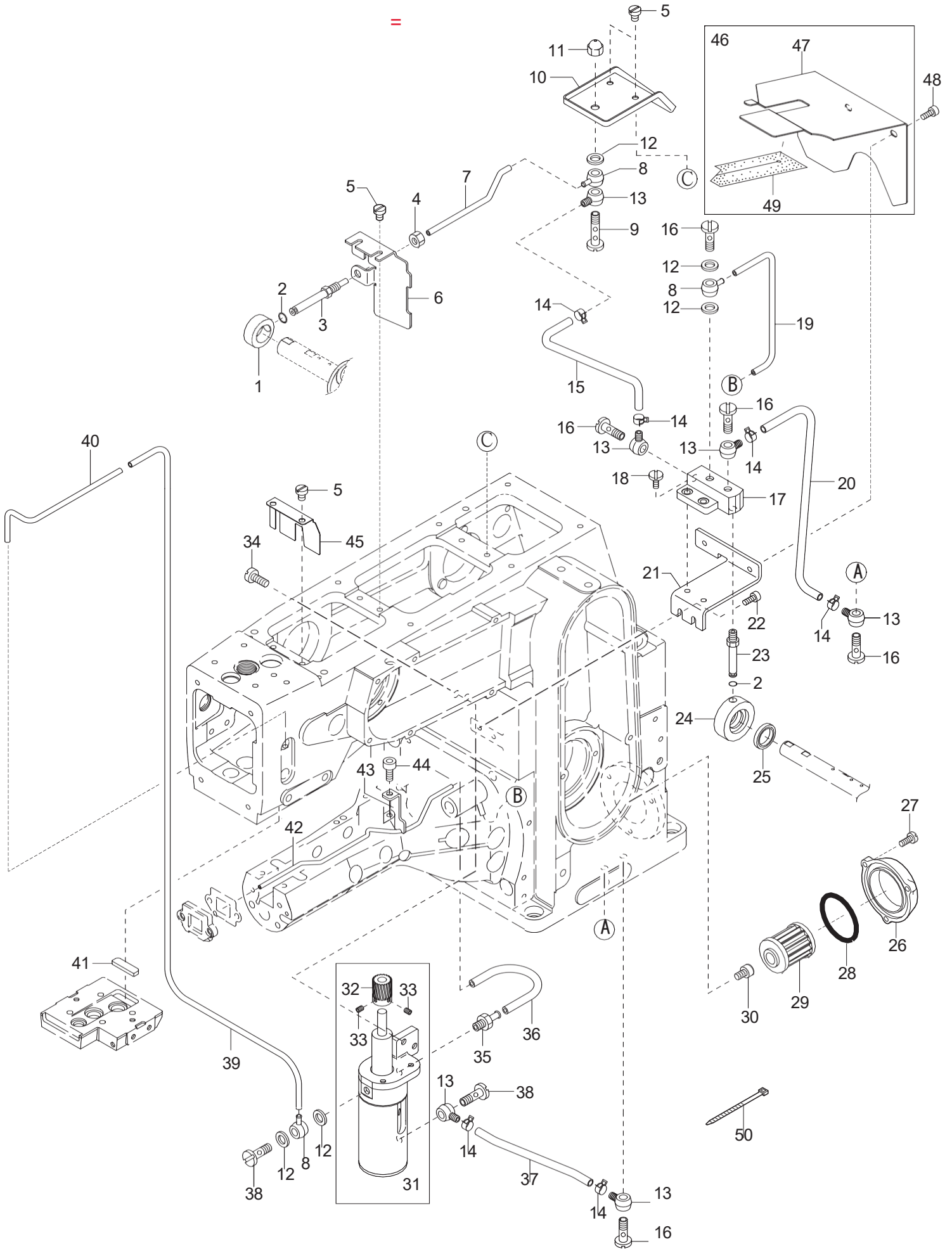
Ref.No.	Parts No.	Description	品名	Amt. Req
41	009736 ◆	Screw(M4-0.7×6)	螺絲	2
42	300058 ◆	Washer	墊片	2
43	6500289 ◆	Differential Arm Pin	差動連桿銷軸	1
44	0013208 ◆	Retaining Ring	開口擋圈	1
45	6500291 ◆	Slider Link(Long)	差動連桿(長)	1
46	6500137	Differential Feed Bar Connection	差動送料連桿	1
47				
48	6500142	Feed Bar, C. Set 1	送料桿	1
49	6500144	Differential Feed Bar	差動送料桿	1
50	6500145	Main Feed Bar	主送料桿	1
51	6500146	Needle Guard Bar	針護桿	1
52	6500147	Feed Lift Block(Front)	抬牙塊	1
53	6500150	Feed Lift Block(Rear)	抬牙塊	1
54 - 1	6509004 ◆	Differential Feed Dog(48)	差動主送料具(48)	1
54 - 2	6509003 ◆	Differential Feed Dog(56)	差動主送料具(56)	1
54 - 3	6509005 ◆	Differential Feed Dog(64)	差動主送料具(64)	1
55	110026 [110002]	Screw(M3.5-0.5×5.5) [M3.5-0.5×5]	螺絲	1
56	110004	Screw(M3-0.6×8)	螺絲	2
57 - 1	6509030 ◆	Differential Feed Dog(Middle)(48)	差動輔送料具(48)	1
57 - 2	6509031 ◆	Differential Feed Dog(Middle)(56)	差動輔送料具(56)	1
57 - 3	6509032 ◆	Differential Feed Dog(Middle)(64)	差動輔送料具(64)	1
58 - 1	6509014 ◆	Main Feed Dog(48)	主送料具(48)	1
58 - 2	6509013 ◆	Main Feed Dog(56)	主送料具(56)	1
58 - 3	6509015 ◆	Main Feed Dog(64)	主送料具(64)	1
59	6500115	Needle Guard(Rear) Holder	後護針軸套	1
60	110050	Screw(M3.5-0.6×45)	螺絲	1
61	003657	Screw(M4-0.7×3)	螺絲	1
62	6509201	Needle Guard(Rear)	針拖(後)	1
63	160001	Screw(M4-0.7×4)	螺絲	2
64	6500112	Needle Guard Lever	護針軸桿	1
65	6500111	Pin	銷子	1
66	6500139	Needle Guard Bar Connection	後護針傳動桿	1
67	140033	Screw(M5-0.5×14)	螺絲	1
68	6500140	Connection Bushing	連接套	1
69	6500262 [6500111]	Needle Guard Lever Pin	針護杆	1
70	6500294 ◆	Collar(12X20X8mm)	擋圈	1
71	160003 ◆	Screw(M5-0.8×8)	螺絲	1



Ref.No.	Parts No.	Description	品名	Amt. Req
1	6500065	Oil Sleeve	油管進油套	1
2	6500301	O-ring(P3)	O型圈	2
3	6500194	Oil Pipe(Short)	油管	1
4	100003	Nut	螺母	1
5	110001	Screw(M4-0.7×5.4)	螺絲	4
6	6500298 [6500196]	Oil Difender	防油板	1
7	6500202	Oil Tube(3×5×100)	旋梭供油管	1
8	320001	Oil Tube Fitting One Way End	供油管接頭	3
9	320009	Fitting Stud(Long)	螺絲	1
10	6500336 [6500195]	Oil Receiver	分油盤	1
11	320015	Nozzule	連結螺母	1
12	000567	Washer	墊圈	5
13	6100310	Tube Joint	管連接套	6
14	6100303	Oil Tube Clamp	供油管頭	6
15	6500200	Oil Tube(4×6×200)	供油管	1
16	320008	Fitting Stud(Short)	開槽圓柱頭過油螺釘	5
17	6500191	Lubricating Block	潤滑塊	1
18	110035	Screw(M4-0.7×10)	螺絲	2
19	6500282 [6500203]	Oil Tube(3×5×300) [3×5×250]	供油管	1
20	6500313	Oil Tube(4×6×290)	供油管	1
21	6500299 [6500192]	Lubricating Block Support	潤滑油管連接板	1
22	120018	Screw(M4-0.7×10)	螺絲	2
23	6500193	Oil Pipe(Long)	油管	1
24	6500045	Oil Sleeve	進油套	1
25	6500319 ◆	Oil Seal	油封	1
26	6500261 [6500238]	Oil Filter Cap	濾油氣外罩	1
27	110045	Screw(M4-0.7×12)	螺絲	3
28	6100370	O-ring(P42)	O型圈	1
29	6100296	Oil Filter	過濾器	1
30	6100297	Filter Housing	進油螺釘	1
31	6500332 [6500197]	Oil Pump, C. Set	油泵	1
32	6100616	Worm Wheal	蝸輪	1
33	160001	Screw(M4-0.7×4)	螺絲	2
34	110021	Screw(M5-0.8×18)	螺絲	2
35	6500300	Pipe Joint	油管連接管	1
36	6500203	Oil Tube(3×5×250)	供油管	1
37	6500201	Oil Tube(4×6×150)	供油管	1
38	320010	Fitting Bolt	螺栓	2
39	6500205	Oil Tube(3×5×590)	供油管	1
40	6500199	Arm Draining Pipe	排油管	1

Ref. No. 41 to 50

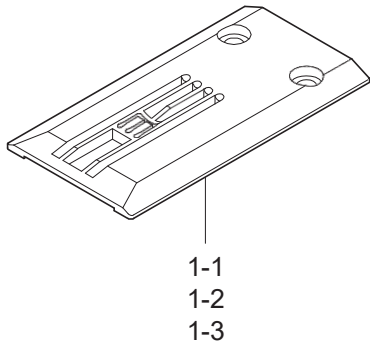
See the following page.



Ref.No.	Parts No.	Description	品 名	Amt. Req
41	310129 [310000]	Felt	回油氈	1
42	6500333 ◆	Drain Pipe	縫台回油管	1
43	6500334 ◆	Drain Pipe Holder	縫台回油管壓板	1
44	120008 ◆	Screw(M4-0.7×8)	縫台回油管壓板螺釘	1
45	6500274 ◆	Needle Bar Rocking Shaft Oil Differender	針棒油封	1
46	4300643 ◆	Main Shaft Oil Diffender, C. Set	油管護罩組	1
47	6500330 ◆	Main Shaft Oil Diffender	油管護罩	1
48	120008 ◆	Screw(M4-0.7×8)	油管護罩螺釘	2
49	6500331 ◆	Main Shaft Oil Diffender Rubber	橡膠擋油片	1
50	6100880 ◆	Wrapping Band(3.2×90)	塑膠油管紮緊環	2

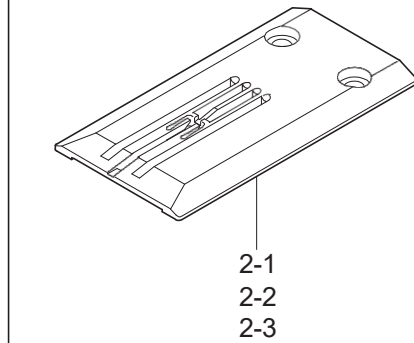
VTS1500-□□□M, VTS1500-□□□-1

VTS1500-248M, VTS1500-256M, VTS1500-264M
 VTS1500-348M, VTS1500-356M, VTS1500-364M

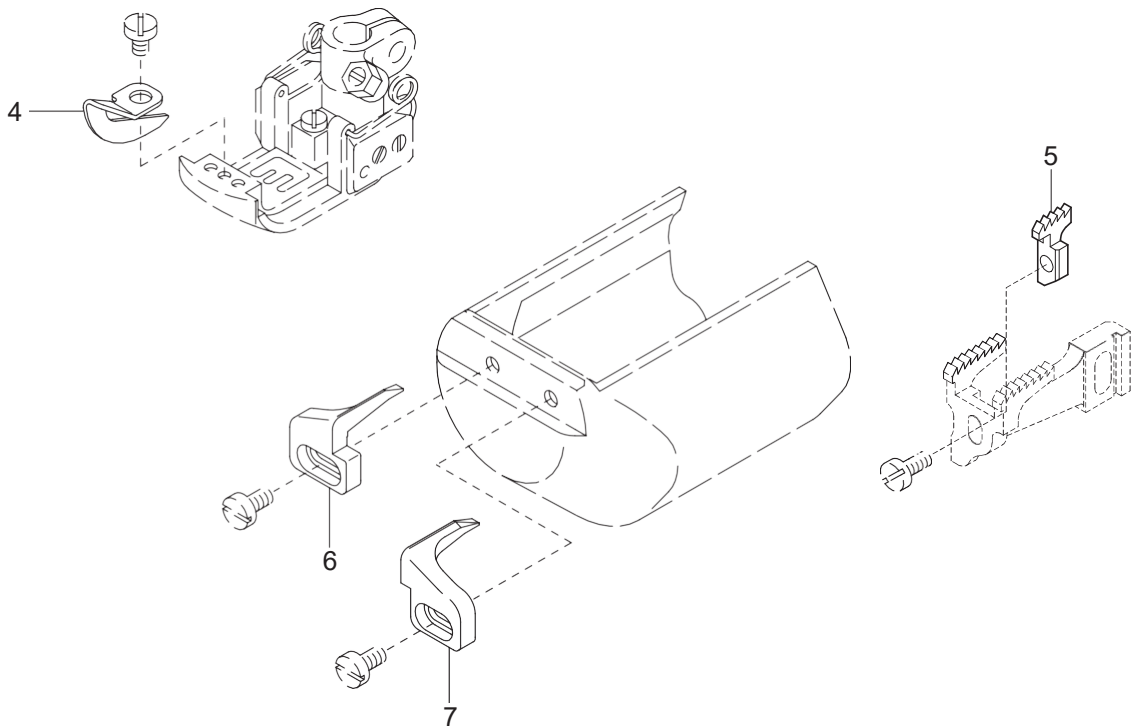
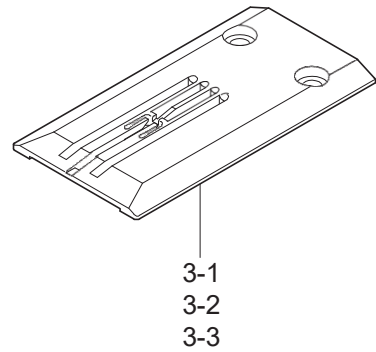


VTS1500-□□□-1

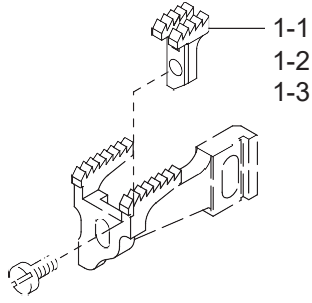
VTS1500-□□□L-1



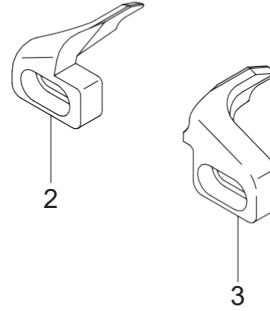
VTS1500-□□□M-1



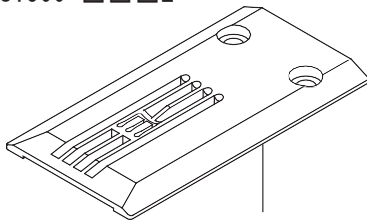
Ref.No.	Parts No.	Description	品 名	Amt. Req
1 - 1	6508057	Stitch Plate(48M)	針板(48M)	1
1 - 2	6508058	Stitch Plate(56M)	針板(56M)	1
1 - 3	6508059	Stitch Plate(64M)	針板(64M)	1
2 - 1	6508047	Stitch Plate(48L)	針板(48L)	1
2 - 2	6508048	Stitch Plate(56L)	針板(56L)	1
2 - 3	6508049	Stitch Plate(64L)	針板(64L)	1
3 - 1	6508042	Stitch Plate(48M)	針板(48M)	1
3 - 2	6508043	Stitch Plate(56M)	針板(56M)	1
3 - 3	6508044	Stitch Plate(64M)	針板(64M)	1
4	6507031	Presser Chip	壓片	1
5	6509021	Differential Feed Dog (Middle)	差動輔送料具	1
6	6500263	Fabric Guide(Right)	右分料角	1
7	6500264	Fabric Guide(Left)	左分料角	1



fabric guide
overlock-seam covering(fold-down type)

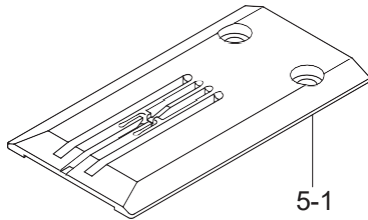


VTS1500-□□□L



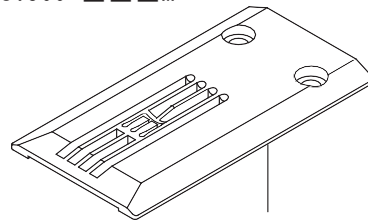
4-1
4-2
4-3

ACCESSORY PARTS
VTS1500-□□□L(for Covering Seam)



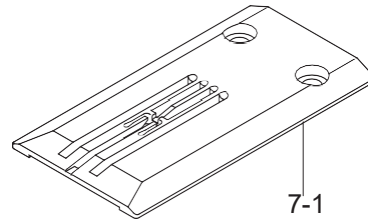
5-1
5-2
5-3

VTS1500-□□□M



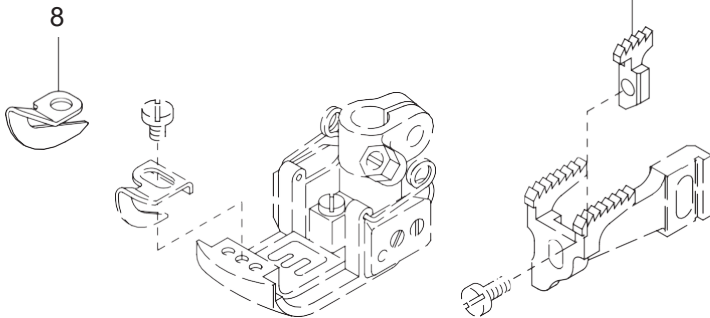
6-1
6-2
6-3

ACCESSORY PARTS
VTS1500-□□□M(for Covering Seam)

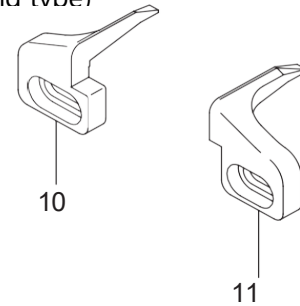


7-1
7-2
7-3

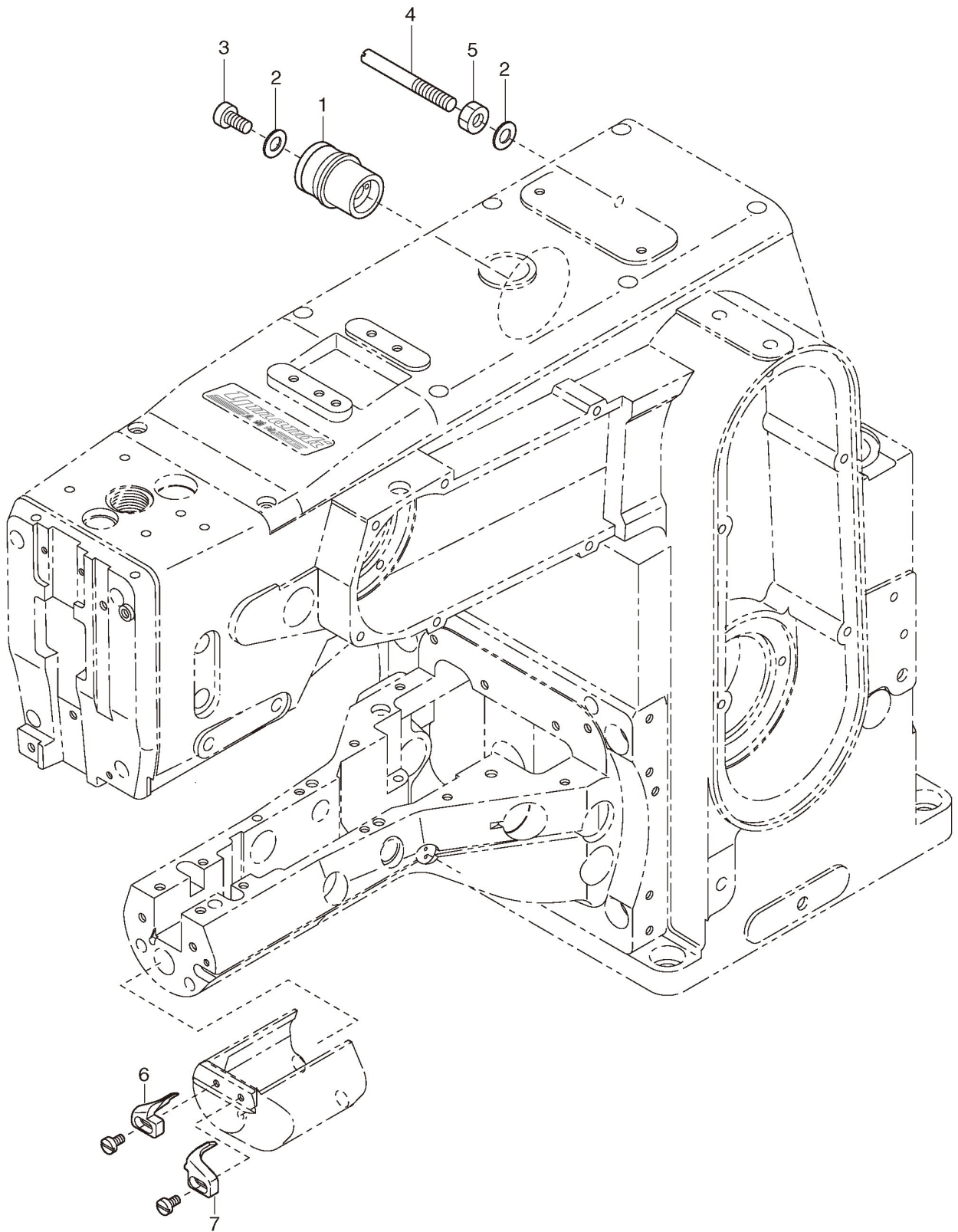
ACCESSORY PARTS



fabric guide
overlock-seam covering
(flattina type)

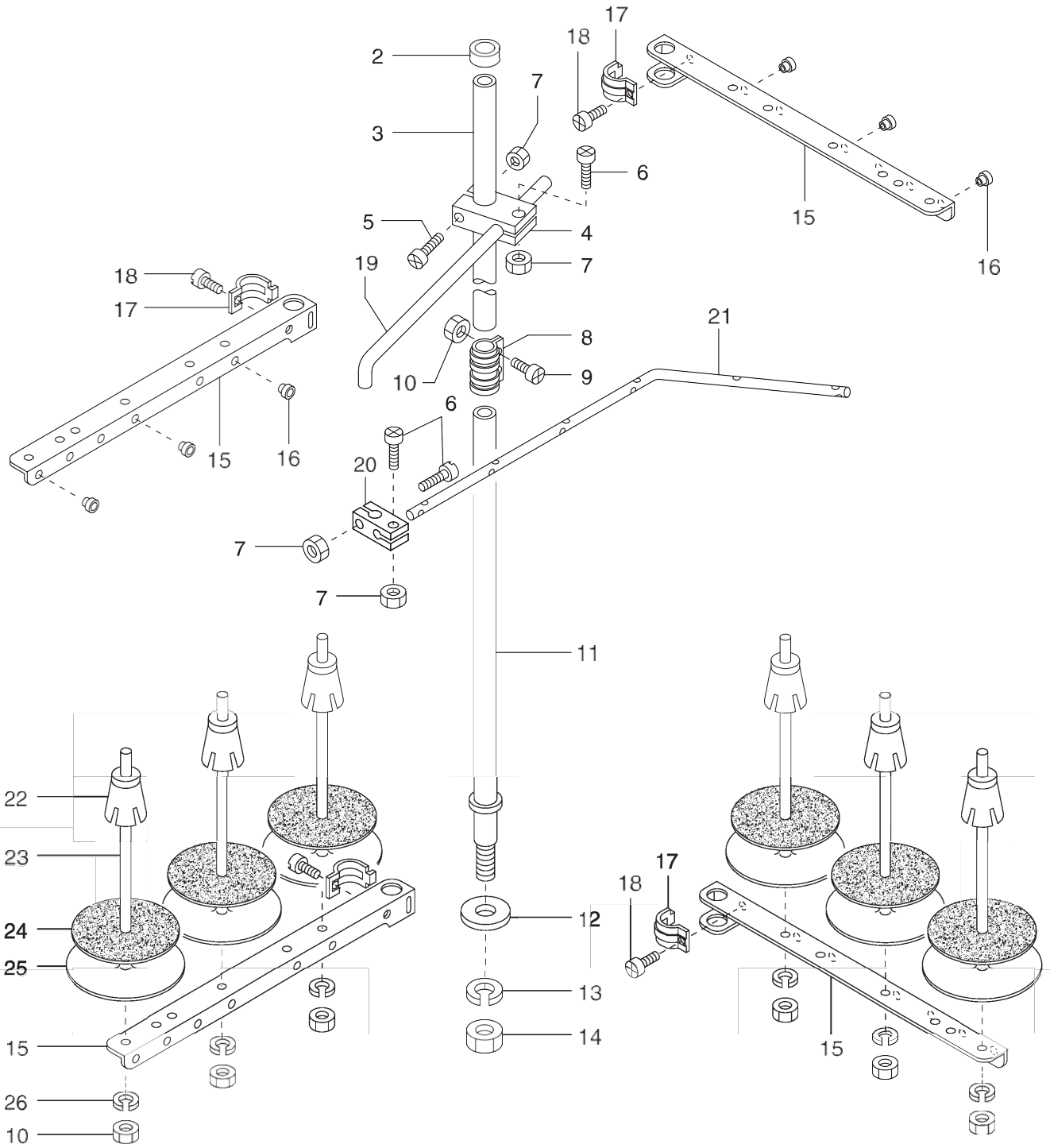


Ref.No.	Parts No.	Description	品名	Amt. Req
1 - 1	6509025 [6509022]	Differential Feed Dog(Middle)(48)	差動輔送料具(48)	1
1 - 2	6509026 [6509022]	Differential Feed Dog(Middle)(56)	差動輔送料具(56)	1
1 - 3	6509027 [6509022]	Differential Feed Dog(Middle)(64)	差動輔送料具(64)	1
2	6500265 [6500242]	Fabric Guide(Left)	左分料角	1
3	6500266 [6500243]	Fabric Guide(Right)	右分料角	1
4 - 1	6508067◆	Stitch Plate(48L)	針板(48L)	1
4 - 2	6508068◆	Stitch Plate(56L)	針板(56L)	1
4 - 3	6508069◆	Stitch Plate(64L)	針板(64L)	1
5 - 1	6508047◆	Stitch Plate(48L)	針板(48L)	1
5 - 2	6508048◆	Stitch Plate(56L)	針板(56L)	1
5 - 3	6508049◆	Stitch Plate(64L)	針板(64L)	1
6 - 1	6508062 [6508022]	Stitch Plate(48M)	針板(48M)	1
6 - 2	6508063 [6508023]	Stitch Plate(56M)	針板(56M)	1
6 - 3	6508064 [6508024]	Stitch Plate(64M)	針板(64M)	1
7 - 1	6508042◆	Stitch Plate(48M)	針板(48M)	1
7 - 2	6508043◆	Stitch Plate(56M)	針板(56M)	1
7 - 3	6508044◆	Stitch Plate(64M)	針板(64M)	1
8	6507031◆	Fabric Guide	導布片	1
9	6509021◆	Differential Feed Dog(Middle)	差動輔送料具	1
10	6500263◆	Fabric Guide(Left)	左分料角	1
11	6500264◆	Fabric Guide(Right)	右分料角	1



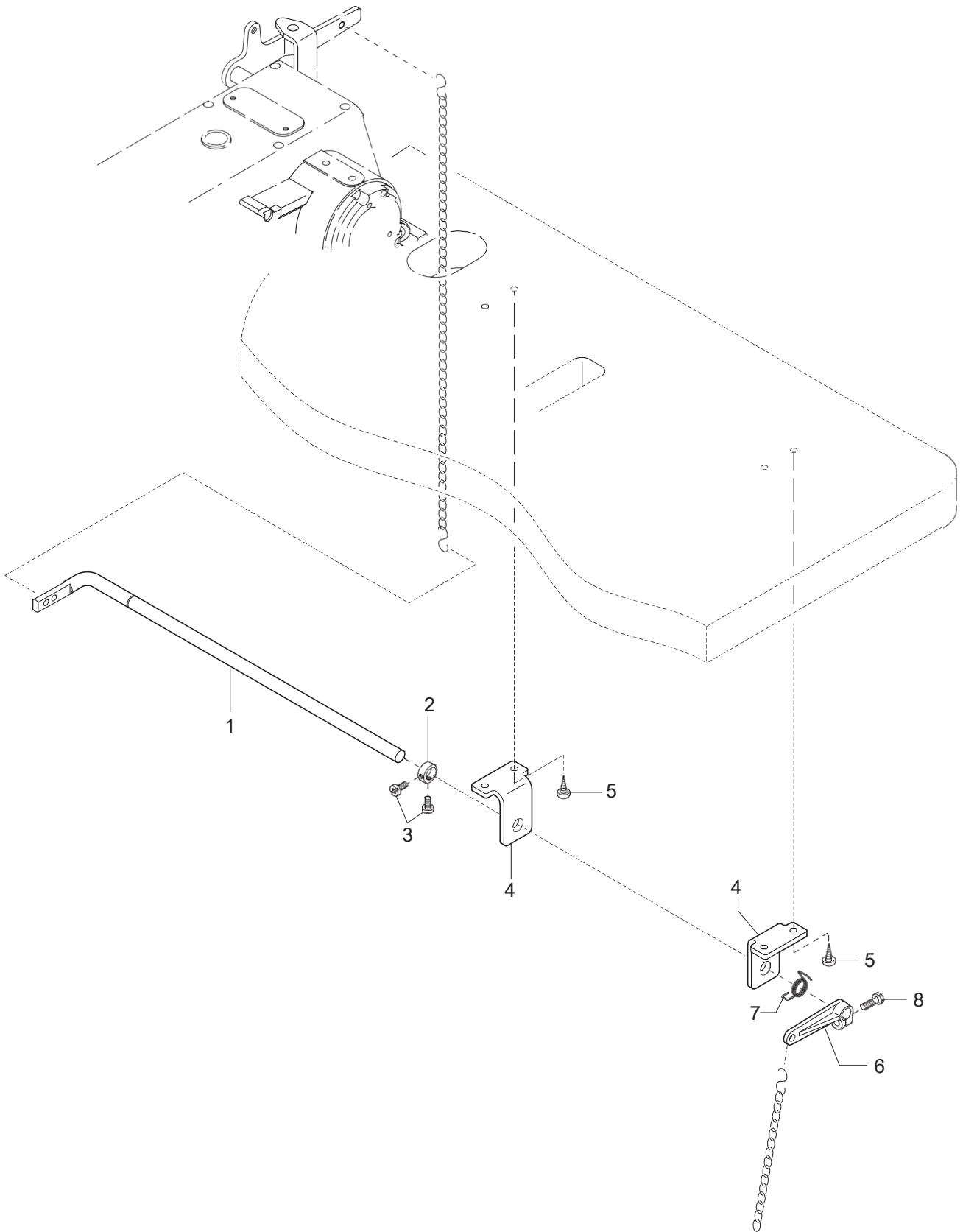
Ref.No.	Parts No.	Description	品名	Amt. Req
1	6500037	Synchronizer Adapter	軸承內襯	1
2	000425	Washer	墊圈	2
3	120006	Screw(M6-1×12)	螺絲	1
4	6500038	Synchronizer Positioning Pin	固定銷	1
5	100003	Nut	螺母	1
6	6500352 ◆	Fabric Guide(Left)	左分料角	1
7	6500353 ◆	Fabric Guide(Right)	右分料角	1

1



Ref.No.	Parts No.	Description	品名	Amt. Req
1	6802627	Thread Stand, C. Set(6 Spools Type)	線架	1
2	6802601	Column Cap	防護套	1
3	6802602	Column Pipe(Upper)	線架桿上節	1
4	6802603	Thread Guide Holder(Large)	線架套	1
5	911002	Screw(M4-0.7×20)	螺絲	1
6	911001	Screw(M4-0.7×12)	螺絲	3
7	910001	Nut	螺母	4
8	6802604	Column Pipe Connector	立管連接器	1
9	911006	Screw(M5-0.8×13)	螺絲	2
10	910000	Nut	螺母	8
11	6802605	Column Pipe(Lower)	線架桿接頭	1
12	930052	Washer	墊片	1
13	930053	Spring Washer	彈簧墊片	1
14	910003	Nut (M16-1.5)	螺母	1
15	6802607	Thread Hanger(3 Spools Type)	線架過線桿	4
16	6802608	Thread Eyelet	過線圈	6
17	6802609	Thread Hanger Holder	線架過線夾	4
18	911060	Screw(M6-1×15)	螺絲	4
19	6802610	Thread Guide Arm	線架桿	1
20	6802611	Thread Guide Holder(Small)	線架套	1
21	6802628	Thread Guide(6 Spools Type)	線架	1
22	6802613	Spool Cushion	線團防鬆墊	6
23	6802614	Spool Pin	線盤桿	6
24	6802615	Spool Mat	線盤	6
25	6802616	Spool Seat Disc	線盤	6
26	930055	Spring Washer	卡簧	6

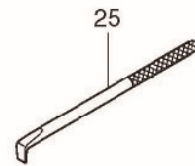
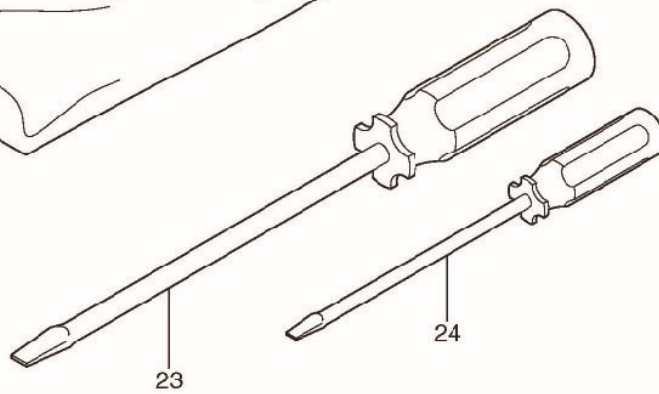
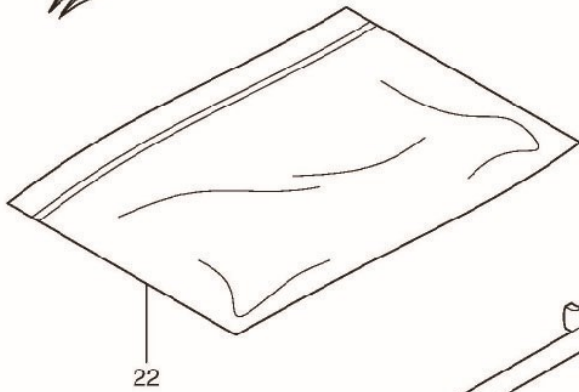
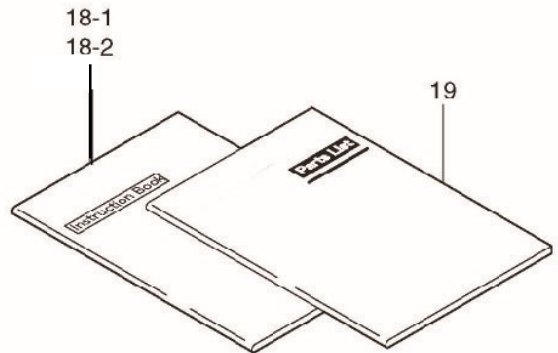
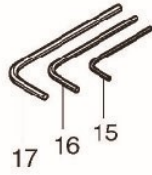
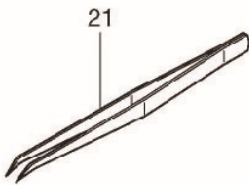
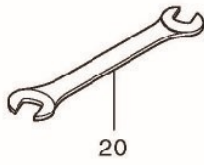
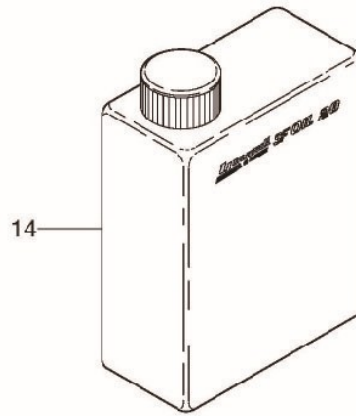
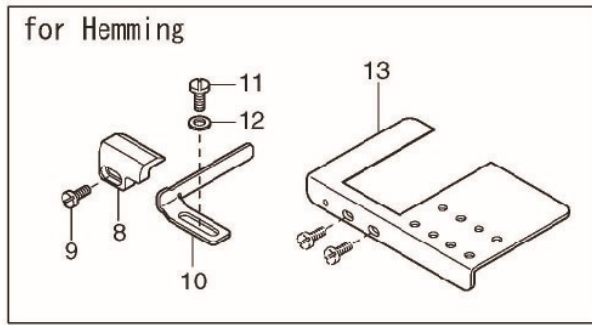
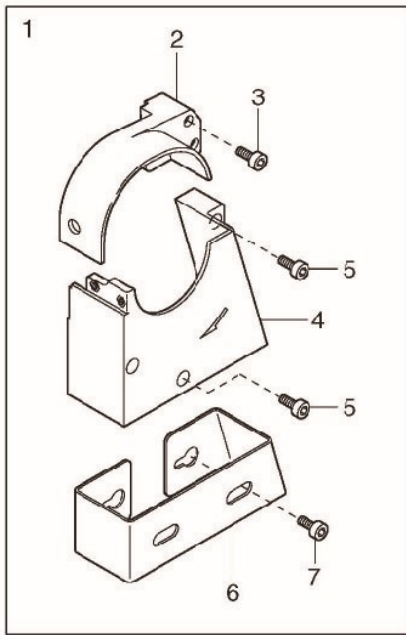
ACCESSORIES(1)



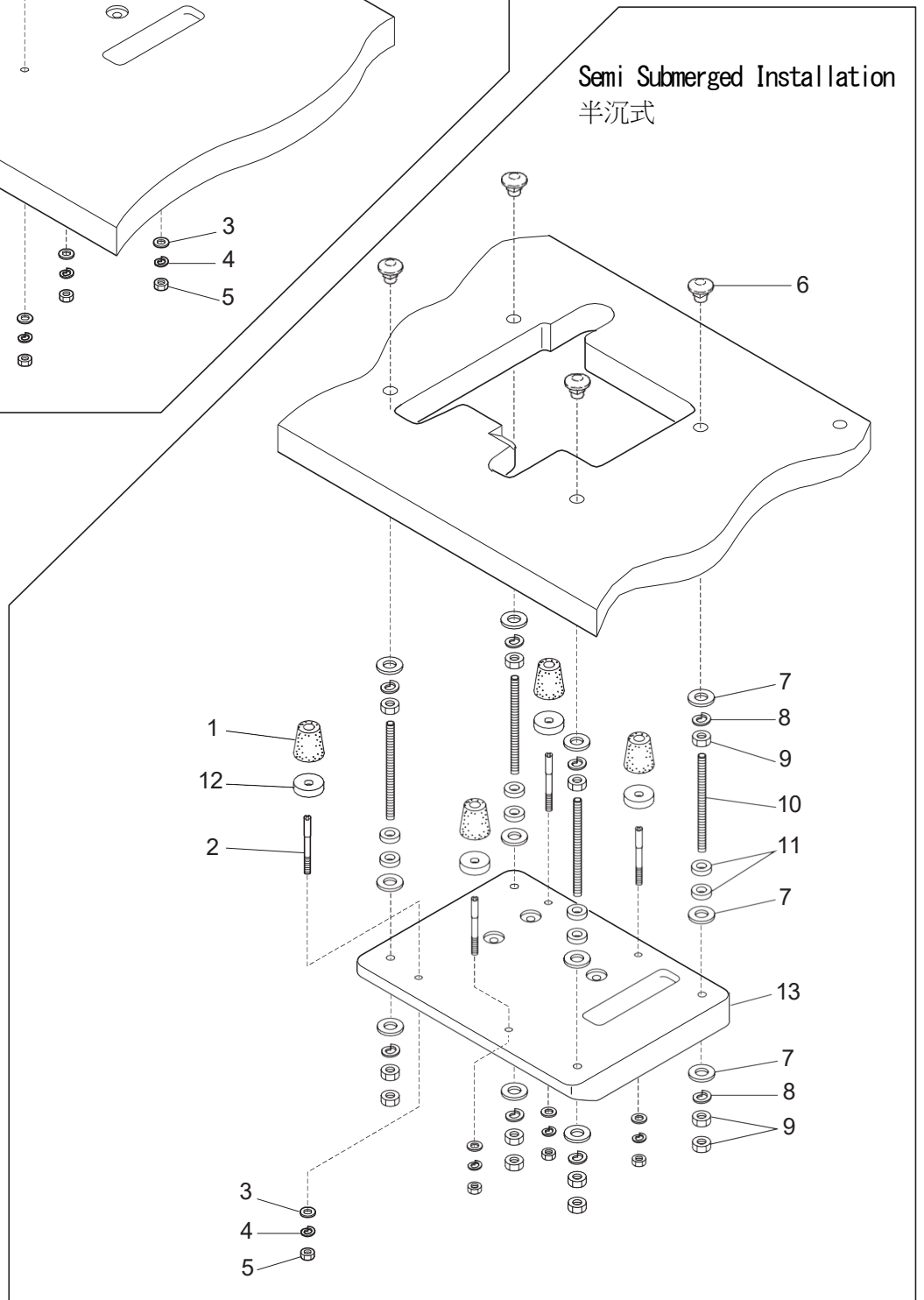
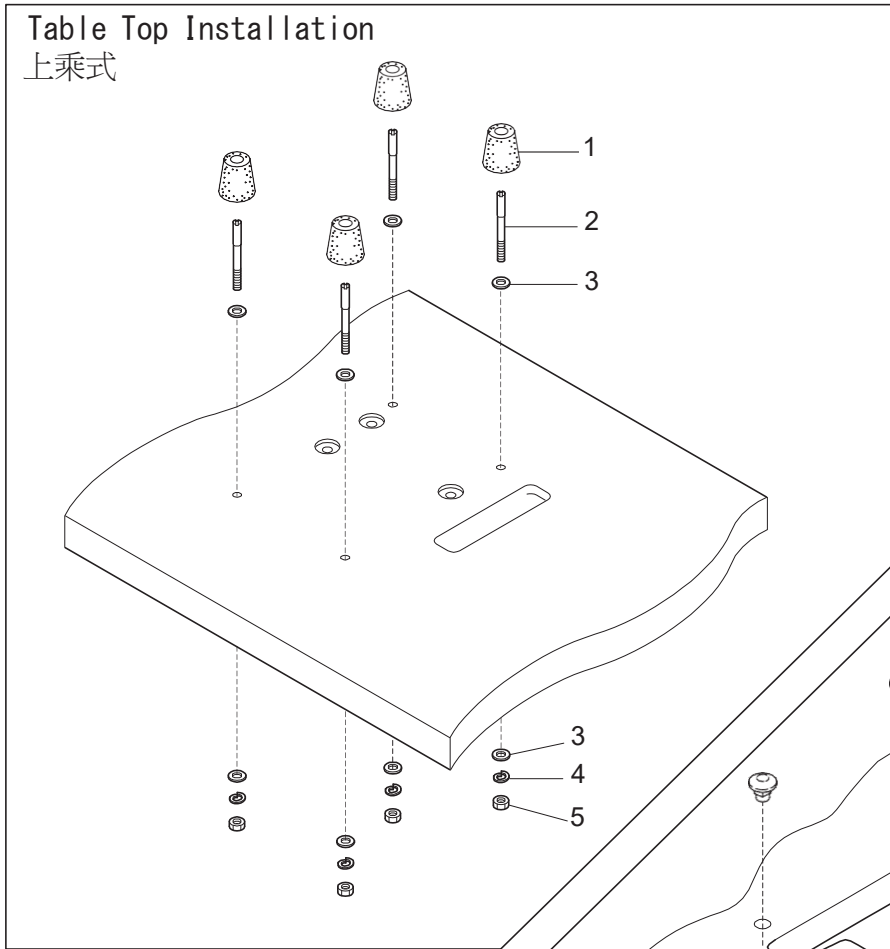
Ref.No.	Parts No.	Description	品 名	Amt. Req
1	6500245	Presser Lifter Shaft(Lower)	壓腳提開軸	1
2	6200086	Collar(12×20×10mm)	擋圈	1
3	110017	Screw(M5-0.8×8)	螺絲	2
4	6500244	Presser Lifter Shaft Support	抬牙腳軸安裝板	2
5	006905	Wood Screw(F 5.2×20)	螺絲	4
6	6500246	Lifter Shaft Lever	壓腳提開軸桿	1
7	6500247	Return Spring	彈簧	1
8	140019	Screw(M4-0.7×30)	螺絲	1

18

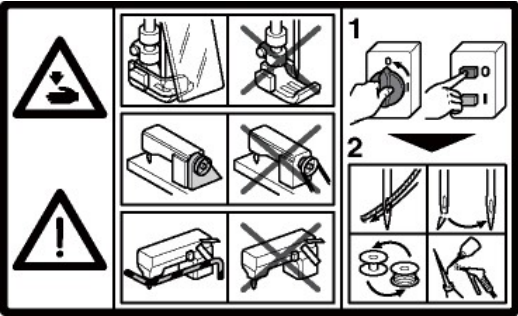
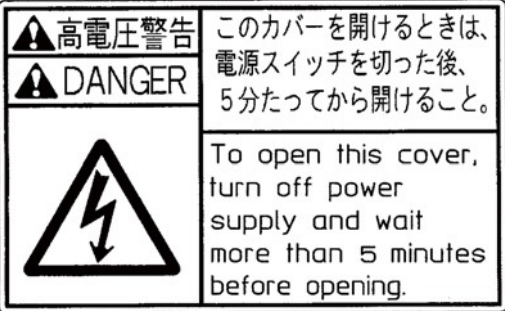

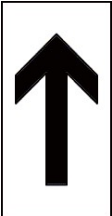


ACCESSORIES(2)



Ref.No.	Parts No.	Description	品 名	Amt. Req
1	6500029	Belt Cover, C. Set	同步帶罩組件	1
2	6500030	Belt Cover(Upper)	同步帶上罩	1
3	006219	Screw(M4-0.7×30)	螺絲	2
4	6500031	Belt Cover(Lower)	皮帶中罩	1
5	009979	Screw(M6-1×30)	螺絲	3
6	6500032	Supplementary Belt Cover	同步帶下罩	1
7	009954	Screw(M6-1×8)	螺絲	2
8	6500249	Fabric Edge Guide(Left)	量尺(左)	1
9	110085	Screw	螺絲	1
10	6500248	Fabric Edge Guide(Right)	量尺(右)	1
11	110104	Screw	螺絲	2
12	000538	Washer	墊片	2
13	6500239	Supplementary Cover	輔助擋板	1
14	6802722	SF Oil 28	油壺	1
15	6802723	Hexagonal Wrench(2.0mm)	六角型扳手	1
16	6802725	Hexagonal Wrench(2.5mm)	六角型扳手	1
17	6802724	Hexagonal Wrench(3mm)	六角型扳手	1
18 - 1	LML-19AG02	Instruction Book	電控參數說明書	1
18 - 2	LML-19AG01	Instruction Book(Chinese)	使用說明書	1
19	LML-19AG03	Parts List	零件圖	1
20	6802726	Wrench(8×10)	扳手	1
21	6500307	Thread Tweezers	線鉗子	1
22	6802721	Bag	袋子	1
23	6500308	Screwdriver(5.5×200 Mm)	螺絲刀	1
24	6500309	Screwdriver(2.5×75 Mm)	螺絲刀	1
25	6802727 ◆	Screwdriver(L)	螺絲刀	1



Ref.No.	Parts No.	Description	品 名	Amt. Req
1	6100449	Rubber Cushion	橡膠墊	4
2	180008	Setting Screw(M6-1×6)	螺絲(M6-1×6)	4
3	000528	Washer	墊片	4
4	000667	Spring Washer	彈滑絲	4
5	000011	Nut	螺母	4
6	000070 ◆	Hanging Nut	吊掛螺母	4
7	000162 ◆	Washer	墊片	12
8	000676 ◆	Spring Washer	彈滑絲	8
9	000016 ◆	Nut	螺母	12
10	009863 ◆	Hanging Bolt	吊掛螺母	4
11	6101005 ◆	Spacer	墊片	8
12	6500278 ◆	Rubber Cushion Spacer	橡膠墊片	4
13	9603069 ◆	Supporting Board	支撐板	1

LABEL 標籤	Parts. No. 編號	Description 品名
	390140	CAUTION IN OPERATION 操作注意事項
	390144	DANGER: WARNING OF ELECTRIC SHOCK BY HIGH-VOLTAGE 注意高壓電流
	390145	"Be sure to connect earth line." 接地標誌
	390190	ROTATING-DIRECTION SYMBOL : CHECK CORRECT ROTATING DIRECTION 轉動方向
	390147	EYE GUARD : TAKE CARE NOT CAUSE INJURY TO EYES BELT COVER : DO NOT INSERT FINGERS 注意安全：運轉時，手不可靠近
	390148	CAUTION FOR HIGH TEMPERATURE : DO NOT TOUCH STEPPING MOTOR AND SOLENOID 高溫部位注意

LIST OF MAIN SPARE PARTS
(針位組部件)

VTS1500 CLASS LIST OF MAIN SPARE PARTS (主要針部件)

Main parts Models	Neddle Clamp	Stitch Plate	Presser Foot,C.Set	Presser Chip	Differential Feed Dog	Main Feed Dog	Differential Feed Dog (Middle)
	針座	針板	壓腳組件	壓片	差動主送料具	主送料具	差動輔送料具
VTS1500-□48L-2	6509102	6508067	6507012	6507030	6509004	6509014	6509025
VTS1500-□56L-2	6509103	6508068	6507013		6509003	6509013	6509026
VTS1500-□64L-2	6509104	6508069	6507014		6509005	6509015	6509027
VTS1500-□48M-2	6509102	6508062	6507012		6509004	6509014	6509025
VTS1500-□56M-2	6509103	6508063	6507013		6509003	6509013	6509026
VTS1500-□64M-2	6509104	6508064	6507014		6509005	6509015	6509027
VTS1500-□48L	6509102	6508052	6507012	6507030	6509004	6509014	6509030
VTS1500-□56L	6509103	6508053	6507013		6509003	6509013	6509031
VTS1500-□64L	6509104	6508054	6507014		6509005	6509015	6509032
VTS1500-□48M	6509102	6508057	6507012		6509004	6509014	6509030
VTS1500-□56M	6509103	6508058	6507013		6509003	6509013	6509031
VTS1500-□64M	6509104	6508059	6507014		6509005	6509015	6509032
VTS1500-□48L-1	6509102	6508047	6507012	6507031	6509004	6509014	6509021
VTS1500-□56L-1	6509103	6508048	6507013		6509003	6509013	
VTS1500-□64L-1	6509104	6508049	6507014		6509005	6509015	
VTS1500-□48M-1	6509102	6508042	6507012		6509004	6509014	
VTS1500-□56M-1	6509103	6508043	6507013		6509003	6509013	
VTS1500-□64M-1	6509104	6508044	6507014		6509005	6509015	

Main parts Models	Looper	Spreader	Needle Guard (Front)	Needle Guard (Rear)	Fabric Guide (Left)	Fabric Guide (Right)
	彎針	繃針	護針(前)	護針(後)	左分料角	右分料角
VTS1500-□48L-2	6509300	6109305	6509200	6509201	6500265	6500266
VTS1500-□56L-2						
VTS1500-□64L-2						
VTS1500-□48M-2						
VTS1500-□56M-2						
VTS1500-□64M-2						
VTS1500-□48L	6509300	6109305	6509200	6509201	6500265	6500266
VTS1500-□56L						
VTS1500-□64L						
VTS1500-□48M						
VTS1500-□56M						
VTS1500-□64M						
VTS1500-□48L-1	6509300	6109305	6509200	6509201	6500263	6500264
VTS1500-□56L-1						
VTS1500-□64L-1						
VTS1500-□48M-1						
VTS1500-□56M-1						
VTS1500-□64M-1						

INDEX

Parts No.	Page No.	Ref. No.	Weight (g)	Parts No.	Page No.	Ref. No.	Weight (g)	Parts No.	Page No.	Ref. No.	Weight (g)
000010	1	12		100002	9	9		120001	10	34	
000010	3	52		100003	3	10		120006	8	6	
000010	11	23		100003	7	11		120006	15	3	
000011	19	5		100003	12	4		120008	3	17	
000012	3	58		100003	15	5		120008	9	37	
000015	3	23						120008	10	28	
000016	19	9		110001	3	34		120008	12	48	
000038	5	19		110001	12	5		120008	12	44	
000070	19	6		110002	3	36		120009	1	35	
000162	19	7		110002	3	55		120009	3	22	
000206	8	5		110002	8	37		120009	4	11	
000309	6	37		110002	9	42		120009	9	30	
000327	8	40		110004	8	42		120010	3	20	
000361	3	48		110004	11	56		120013	11	2	
000399	4	27		110008	3	70		120016	1	17	
000425	1	22		110008	3	63		120017	7	21	
000425	3	21		110009	3	45		120017	8	10	
000425	15	2		110009	10	33		120018	6	23	
000445	8	31		110009	11	31		120018	8	23	
000528	7	12		110011	4	34		120018	8	33	
000528	19	3		110012	1	6		120018	12	22	
000538	3	25		110012	3	31		120060	9	4	
000538	18	12		110013	2	32					
000567	12	12		110016	2	37		130007	2	25	
000600	11	22		110016	11	27		130016	8	45	
000667	19	4		110017	17	3		130021	3	41	
000669	11	26		110021	8	4					
000676	19	8		110021	12	34		140000	11	18	
000687	9	35		110023	3	38		140010	11	5	
000711	9	40		110026	11	55		140014	7	7	
000726	1	26		110027	8	48		140014	9	27	
000924	2	3		110029	2	10		140019	17	8	
				110030	3	57		140033	11	67	
001093	6	43		110031	7	26		140034	8	28	
001900	6	32		110033	2	8		140035	8	14	
				110033	3	59					
003657	11	61		110033	11	11		160001	2	14	
				110035	6	29		160001	3	74	
004236	1	14		110035	12	18		160001	7	13	
004358	6	27		110038	2	16		160001	8	50	
				110045	1	2		160001	9	19	
005049	8	15		110045	2	34		160001	10	40	
005049	11	25		110045	12	27		160001	11	63	
005076	1	19		110046	10	24		160001	12	33	
				110048	1	37		160003	3	65	
006206	9	24		110048	2	22		160003	4	18	
006212	10	36		110049	6	35		160003	6	19	
006219	18	3		110050	3	61		160003	7	3	
006905	17	5		110050	11	60		160003	8	12	
				110068	9	17		160003	9	11	
009736	9	14		110070	10	6		160003	10	2	
009736	10	41		110083	9	39		160003	11	71	
009736	11	41		110084	8	41		160003	11	35	
009740	5	2		110085	18	9		160004	5	4	
009740	6	13		110104	18	11		160004	6	2	
009770	3	24						160005	5	15	
009863	19	10		120001	4	2		160007	5	12	
009954	18	7		120001	6	10		160007	5	22	
009977	1	21		120001	7	17		160007	6	8	
009979	18	5		120001	9	32		160007	6	45	

INDEX

Parts No.	Page No.	Ref. No.	Weight (g)	Parts No.	Page No.	Ref. No.	Weight (g)	Parts No.	Page No.	Ref. No.	Weight (g)
160007	8	22		911060	16	18		6200086	8	11	
160007	11	3						6200086	9	10	
160016	6	11		930052	16	12		6200086	17	2	
160024	5	20		930053	16	13		6200087	6	24	
160030	9	34		930055	16	26		6200092	11	34	
160039	4	15						6200101	6	25	
160039	6	38		6100012	1	4		6200142	11	16	
160039	9	43		6100017	1	34		6200171	4	26	
160039	9	5		6100056	3	1		6200209	2	39	
160039	10	25		6100057	3	2		6200263	7	22	
160039	10	16		6100058	3	3		6200265	11	17	
				6100059	3	11		6200313	11	44	
170044	1	11		6100060	3	5		6200323	4	29	
170044	3	51		6100062	3	6		6200346	8	29	
170048	3	28		6100071	3	49					
170048	8	2		6100074	3	69		6500002	1	15	
				6100086	3	46		6500003	1	16	
180002	10	5		6100087	3	47		6500005	1	3	
180003	10	35		6100105	4	3		6500007	1	8	
180008	19	2		6100126	5	11		6500009	1	24	
				6100176	6	33		6500011	2	4	
190004	11	21		6100193	6	40		6500012	2	6	
190015	2	36		6100194	6	41		6500018	2	29	
190036	2	19		6100195	6	42		6500020	2	26	
190077	2	2		6100205	8	36		6500021	2	28	
190095	3	8		6100228	7	25		6500022	2	24	
				6100235	7	23		6500024	4	1	
260006	8	39		6100269	11	28		6500025	6	36	
				6100296	12	29		6500026	2	12	
290036	3	43		6100297	12	30		6500027	1	10	
				6100303	12	14		6500028	1	5	
300000	8	16		6100310	12	13		6500029	18	1	
300000	9	8		6100333	4	28		6500030	18	2	
300000	11	19		6100343	3	12		6500031	18	4	
300006	7	8		6100343	11	39		6500032	18	6	
300028	3	53		6100360	11	38		6500033	2	35	
300058	11	42		6100363	11	33		6500034	1	28	
				6100370	12	28		6500034	2	17	
310089	6	39		6100449	19	1		6500035	1	27	
310129	12	41		6100616	12	32		6500035	2	18	
310130	1	32		6100757	1	13		6500036	2	20	
				6100788	8	34		6500037	15	1	
320001	12	8		6100811	7	4		6500038	15	4	
320008	12	16		6100880	12	50		6500040	5	8	
320009	12	9						6500041	5	7	
320010	12	38		6101005	19	11		6500042	5	14	
320015	12	11		6101044	4	5		6500042	6	5	
								6500043	5	6	
340003	8	8		6107005	8	43		6500044	5	1	
340064	3	67		6107006	8	44		6500045	12	24	
				6107033	8	46		6500046	5	18	
390209	1	9						6500047	5	17	
				6109305	7	27		6500047	6	14	
910000	16	10		6109401	1	29		6500048	5	3	
910001	16	7						6500048	6	1	
910003	16	14		6200020	2	15		6500049	5	13	
				6200036	4	24		6500050	5	16	
911001	16	6		6200038	8	18		6500051	5	5	
911002	16	5		6200081	4	16		6500051	6	3	
911006	16	9		6200086	6	18		6500052	4	37	

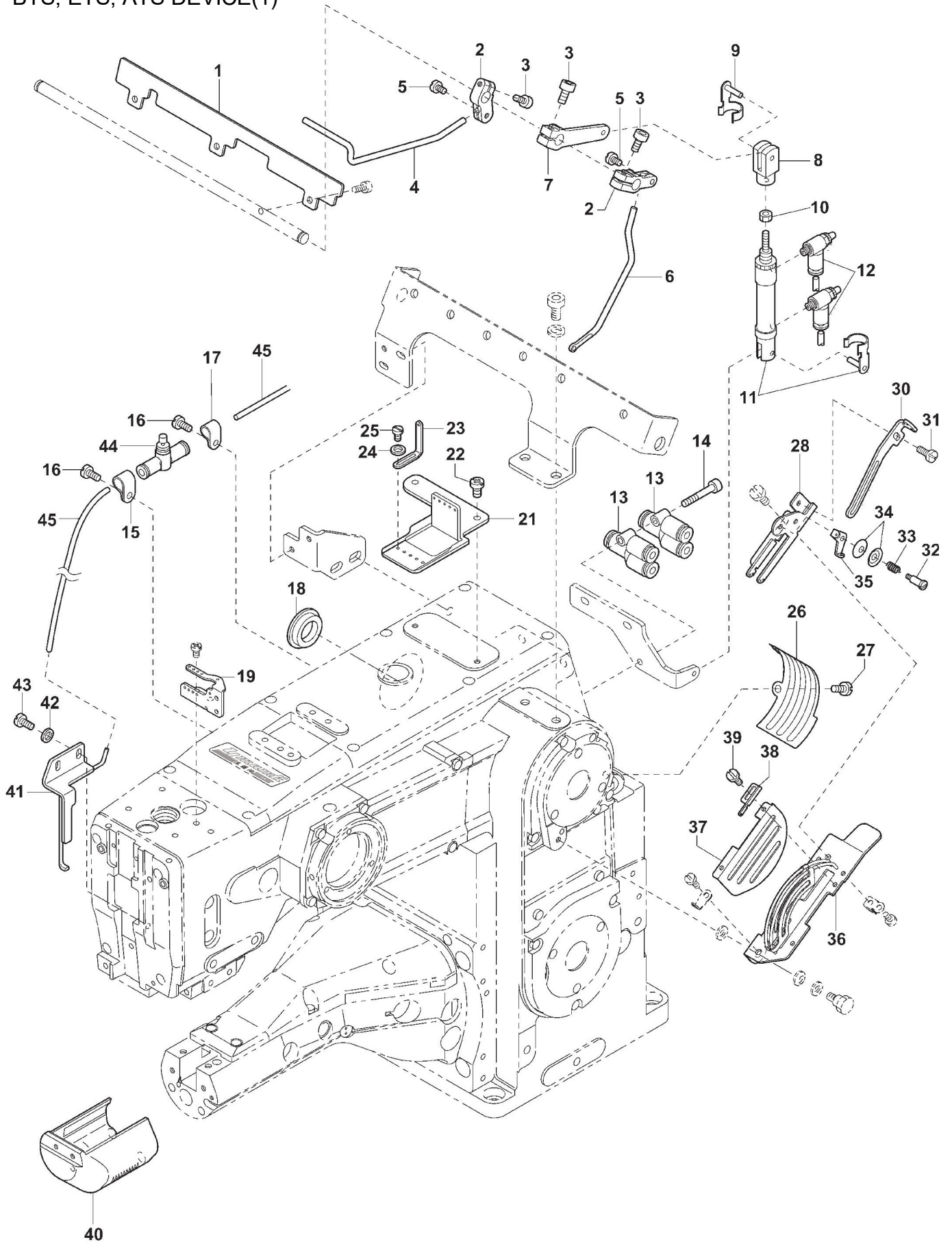
INDEX

Parts No.	Page No.	Ref. No.	Weight (g)	Parts No.	Page No.	Ref. No.	Weight (g)	Parts No.	Page No.	Ref. No.	Weight (g)
6500053	6	7		6500126	11	36		6500199	12	40	
6500054	6	16		6500128	11	32		6500200	12	15	
6500055	6	17		6500129	11	30		6500201	12	37	
6500056	6	15		6500130	11	24		6500202	12	7	
6500057	6	9		6500131	11	7		6500203	12	36	
6500058	6	28		6500132	11	8		6500205	12	39	
6500059	6	20		6500133	11	9		6500206	3	18	
6500060	6	21		6500134	11	10		6500207	3	27	
6500061	6	22		6500135	11	1		6500208	3	26	
6500061	8	26		6500136	11	13		6500209	3	13	
6500062	4	14		6500137	11	46		6500210	3	16	
6500063	6	6		6500138	11	15		6500211	3	9	
6500064	6	12		6500139	11	66		6500212	3	7	
6500065	12	1		6500140	11	68		6500213	3	14	
6500066	4	4		6500141	11	4		6500214	3	15	
6500067	7	1		6500142	11	48		6500215	3	19	
6500068	7	2		6500144	11	49		6500216	3	29	
6500069	7	5		6500145	11	50		6500217	3	30	
6500070	7	9		6500146	11	51		6500218	3	40	
6500071	7	10		6500147	11	52		6500219	3	32	
6500072	7	15		6500150	11	53		6500221	3	35	
6500073	7	16		6500153	10	10		6500222	3	37	
6500074	7	18		6500154	10	13		6500223	3	33	
6500075	7	6		6500155	10	11		6500224	3	39	
6500076	7	20		6500156	10	8		6500225	3	44	
6500077	7	19		6500157	7	14		6500226	3	54	
6500078	4	13		6500157	11	14		6500227	3	66	
6500079	7	24		6500158	4	35		6500228	3	50	
6500080	4	30		6500159	4	36		6500229	3	62	
6500082	4	33		6500160	11	12		6500230	3	60	
6500083	4	32		6500161	11	6		6500231	3	72	
6500084	4	17		6500162	10	29		6500232	3	73	
6500085	9	1		6500163	10	32		6500233	3	64	
6500086	9	2		6500164	10	31		6500234	1	30	
6500087	9	3		6500165	10	30		6500234	5	21	
6500088	9	12		6500166	4	22		6500235	1	31	
6500089	9	7		6500167	4	23		6500235	6	4	
6500090	9	13		6500168	4	25		6500236	1	33	
6500092	9	21		6500169	4	6		6500239	18	13	
6500093	9	16		6500170	4	7		6500244	17	4	
6500094	9	18		6500171	4	9		6500245	17	1	
6500095	9	20		6500172	4	8		6500246	17	6	
6500097	9	15		6500173	8	35		6500247	17	7	
6500098	9	6		6500174	8	27		6500248	18	10	
6500099	9	22		6500175	8	17		6500249	18	8	
6500100	9	23		6500176	8	13		6500250	1	36	
6500102	9	29		6500177	8	9		6500251	1	1	
6500104	9	26		6500178	8	30		6500252	1	7	
6500105	9	25		6500179	8	32		6500253	1	23	
6500106	9	33		6500180	8	1		6500254	2	1	
6500107	9	36		6500181	8	21		6500255	2	30	
6500108	10	19		6500182	8	20		6500256	2	31	
6500109	10	21		6500183	4	20		6500257	2	27	
6500110	10	20		6500184	4	21		6500258	2	23	
6500111	11	65		6500188	8	3		6500259	2	33	
6500112	11	64		6500189	8	24		6500260	2	21	
6500115	11	59		6500190	8	25		6500261	12	26	
6500119	10	17		6500191	12	17		6500262	11	69	
6500120	10	26		6500193	12	23		6500263	13	6	
6500125	11	29		6500194	12	3		6500263	14	10	

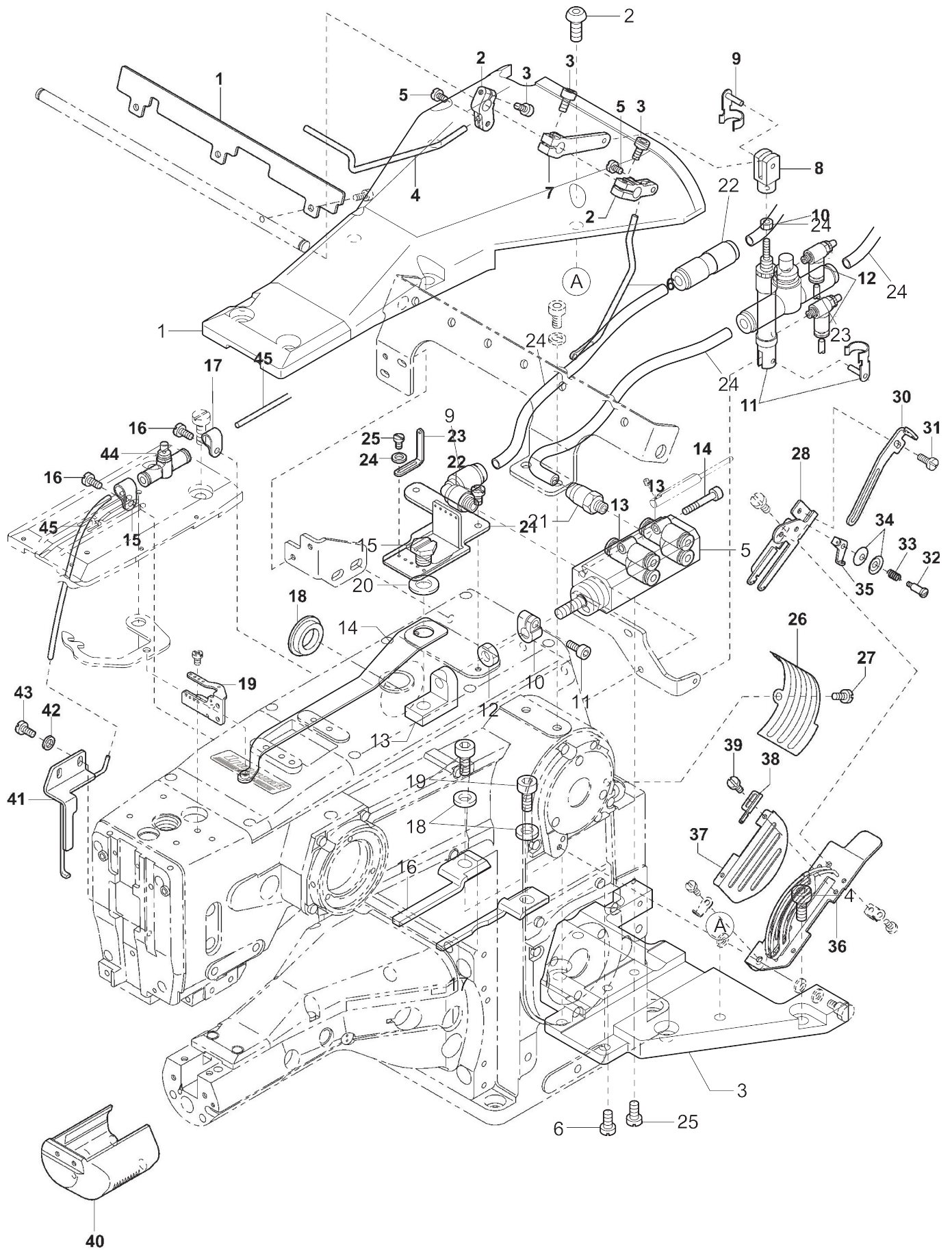
INDEX

Parts No.	Page No.	Ref. No.	Weight (g)	Parts No.	Page No.	Ref. No.	Weight (g)	Parts No.	Page No.	Ref. No.	Weight (g)
6500264	13	7		6500333	12	42		6509030	11	57 - 1	
6500264	14	11		6500334	12	43		6509031	11	57 - 2	
6500265	2	9		6500335	10	38		6509032	11	57 - 3	
6500265	14	2		6500336	12	10		6509102	6	30 - 1	
6500266	2	11		6500337	3	71		6509103	6	30 - 2	
6500266	14	3		6500338	3	68		6509104	6	30 - 3	
6500268	10	22		6500339	6	44		6509200	9	41	
6500269	10	23		6500340	2	38		6509201	11	62	
6500270	10	39		6500341	4	12		6509300	9	38	
6500272	4	38		6500342	6	26					
6500274	12	45		6500343	8	49		6802601	16	2	
6500277	5	10		6500345	10	27		6802602	16	3	
6500278	19	12		6500345	12	46		6802603	16	4	
6500279	9	28		6500346	1	25		6802604	16	8	
6500280	9	31		6500352	15	6		6802605	16	11	
6500281	4	31		6500353	15	7		6802607	16	15	
6500282	12	19						6802608	16	16	
6500283	4	39		6507012	8	38 - 1		6802609	16	17	
6500284	4	40		6507013	8	38 - 2		6802610	16	19	
6500287	2	13		6507014	8	38 - 3		6802611	16	20	
6500288	2	5		6507030	8	47		6802613	16	22	
6500289	11	43		6507031	13	4		6802614	16	23	
6500290	11	40		6507031	14	8		6802615	16	24	
6500291	11	45						6802616	16	25	
6500292	11	37		6508042	13	3 - 1		6802627	16	1	
6500293	10	37		6508042	14	7 - 1		6802628	16	21	
6500294	11	70		6508043	13	3 - 2		6802721	18	22	
6500295	10	7		6508043	14	7 - 2		6802722	18	14	
6500296	10	14		6508044	13	3 - 3		6802723	18	15	
6500297	10	15		6508044	14	7 - 3		6802724	18	17	
6500298	12	6		6508047	13	2 - 1		6802725	18	16	
6500299	12	21		6508047	14	5 - 1		6802726	18	20	
6500300	12	35		6508048	13	2 - 2		6802727	18	25	
6500301	12	2		6508048	14	5 - 2					
6500302	3	4		6508049	13	2 - 3		9603069	19	13	
6500303	1	18		6508049	14	5 - 3					
6500306	8	19		6508052	6	34 - 1		LML- 19AG03	18	19	
6500307	18	21									
6500308	18	23		6508053	6	34 - 2					
6500309	18	24		6508054	6	34 - 3					
				6508057	13	1 - 1		LML- 19AG01	18	18 - 2	
6500310	8	7						LML- 19AG02	18	18 - 1	
6500311	10	1		6508058	13	1 - 2					
6500313	12	20		6508059	13	1 - 3					
6500314	2	7		6508062	14	6 - 1					
6500314	3	56		6508063	14	6 - 2					
6500316	4	10		6508064	14	6 - 3					
6500317	11	20		6508067	14	4 - 1					
6500319	12	25		6508068	14	4 - 2					
6500320	4	41		6508069	14	4 - 3					
6500320	4	19									
6500321	10	18		6509003	11	54 - 2					
6500322	10	3		6509004	11	54 - 1					
6500323	10	9		6509005	11	54 - 3					
6500324	10	4		6509013	11	58 - 2					
6500327	1	20		6509014	11	58 - 1					
6500328	3	42		6509015	11	58 - 3					
6500329	10	12		6509021	13	5					
6500330	12	47		6509021	14	9					
6500331	12	49		6509025	14	1 - 1					
6500332	12	31		6509026	14	1 - 2					
				6509027	14	1 - 3					

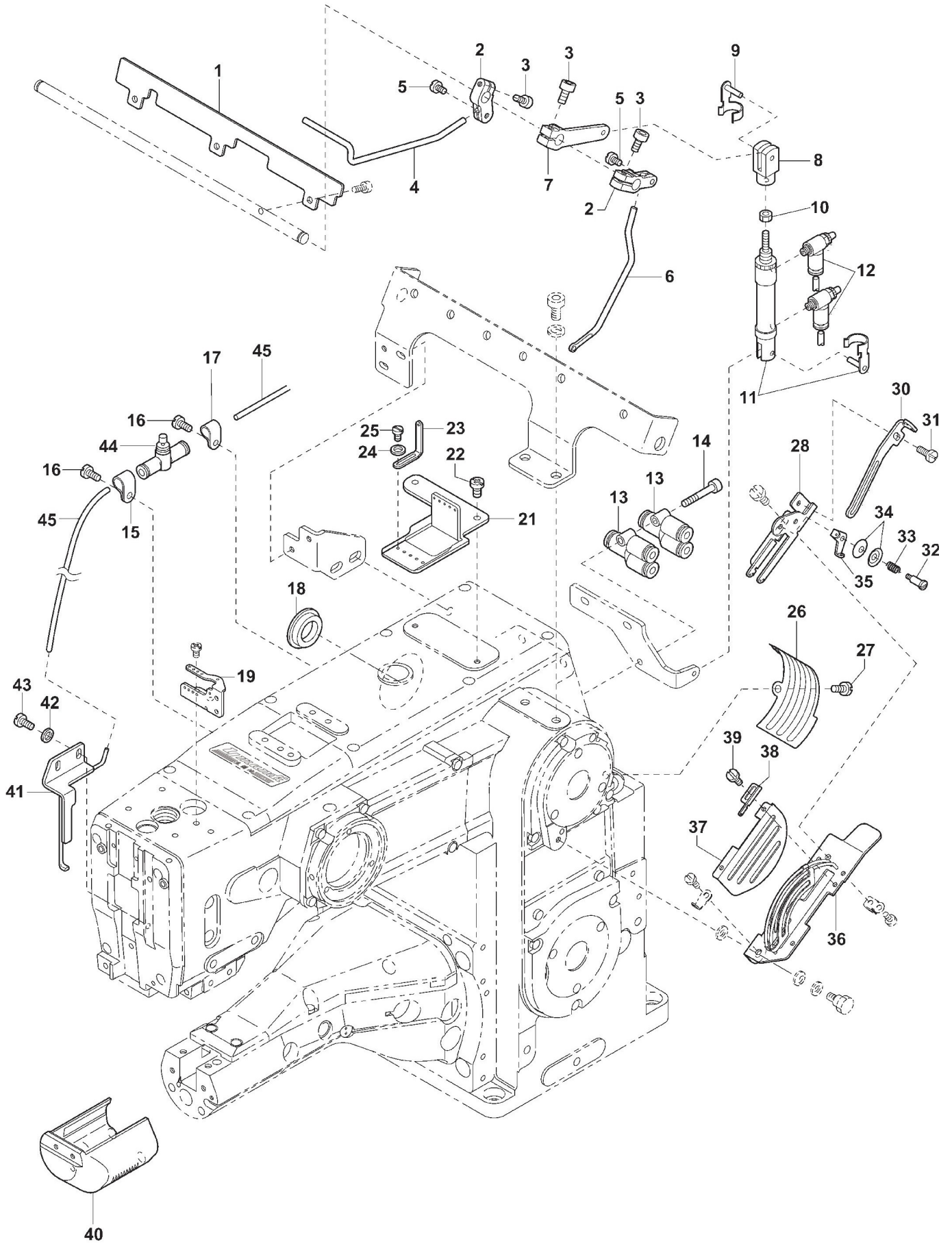
BTS, ETS, ATS DEVICE(1)



Ref.No	PartsNo.	Description	品 名	Amt. Req
1	4301134	Tension Disc Separator	張力盤分離器	1
2	4301145	Thread Pull-off Holder	線拉出支架	2
3	120024	Screw(M4-0.7×14)	螺絲(M4-0.7×14)	3
4	4301143	Needle Thread Pull-off	針線拉出	1
5	009746	Screw(M4-0.7×8)	螺絲(M4-0.7×8)	2
6	4301130	Looper Thread Pull-off	彎針線拉出	1
7	4301144	Tension Release Lever	張力釋放杆	1
8	0010283	Y-Knuckle	Y形關節	1
9	1099004	Connecting Pin	連接銷	1
10	100001	Nut	螺母	1
11	1091035	Tension Release Cylinder	張力釋放氣缸	1
12	1095001	Speed Controller	速度控制器	2
13	0010337	Union Y-Connector(Φ4)	Y形接頭(Φ4)	2
14	120027	Screw(M4-0.7×25)	螺絲(M4-0.7×25)	1
15	0094491	Cord Clamp(2N-Φ3.4)	線夾(2N-Φ3.4)	1
16	110094	Screw(M4-0.7×6)	螺絲(M4-0.7×6)	2
17	0023381	Cord Clamp(6N-Φ10.6)	線夾(6N-Φ10.6)	1
18				
19	4301186	Needle Thread Eyelet(Middle)	中間針線孔	1
20				
21	4301135	Thread Pull-off Eyelet Holder	拉線孔支架	1
22	110013	Screw(M4-0.7×8)	螺絲(M4-0.7×8)	2
23	4301136	Thread Pull-off Eyelet	收線孔	5
24	000209	Washer	墊片	5
25	110023	Screw(M2-0.4×3.5)	螺絲(M2-0.4×3.5)	5
26	4301132	Thread Take-up Cover(Rear)	後部收線蓋	1
27	110012	Screw(M4-0.7×5)	螺絲(M4-0.7×5)	2
28	4301202	Thread Take-up Eyelet	拉線孔	1
29				
30	4301205	Looper Thread Guide	彎針線導向器	1
31	110050	Screw(M3.5-0.6×4.5)	螺絲(M3.5-0.6×4.5)	1
32	170042	Screw(M3-0.5×5)	螺絲(M3-0.5×5)	1
33	0032426	Looper Thread Retainer Spring	彎針線保持彈簧	1
34	0037108	Looper Thread Tension Disc	彎針線張力盤	2
35	3500247	Looper Thread Eyelet	彎針線孔眼	1
36	4301129	Thread Take-up Eyelet Holder	線收孔眼支架	1
37	4301133	Thread Take-up Cover	收線蓋	1
38	4301131	Looper Thread Pull-off Eyelet	拉彎針線孔眼	1
39	110002	Screw(M3.5-0.5×5)	螺絲(M3.5-0.5×5)	2
40	4301300	Cylinder Front Cover	氣缸前蓋	1
41	4301190	Air Wiper	吹線器	1
42	000538	Washer	墊片	2
43	110009	Screw(M4-0.7×8)	螺絲(M4-0.7×8)	2
44	1095007	Speed Controller	控速器	1
45	1096029	Air Tube((4×2.5mm)(Black)	黑色氣管(4×2.5mm)	1

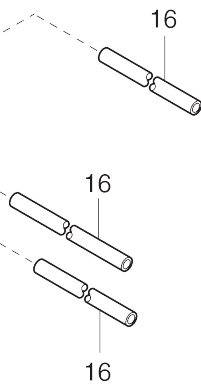
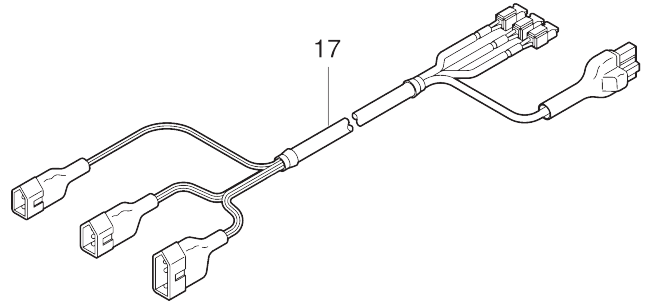
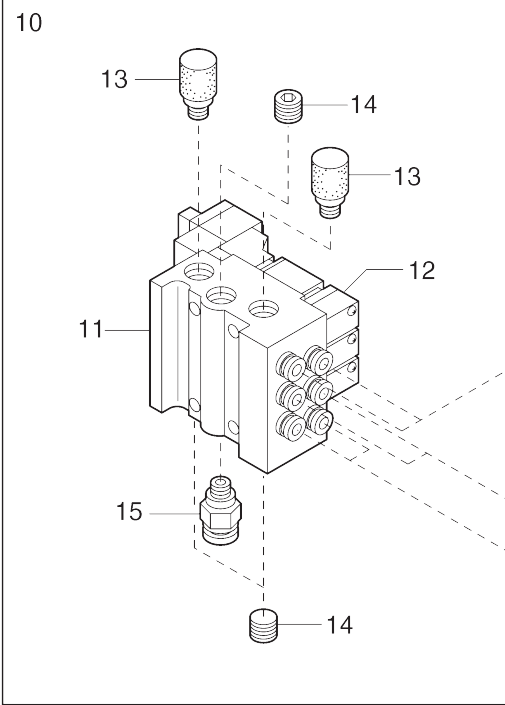
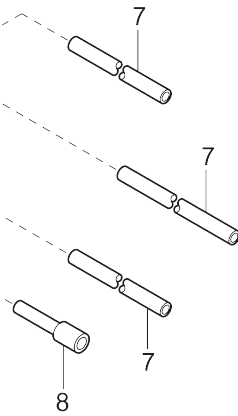
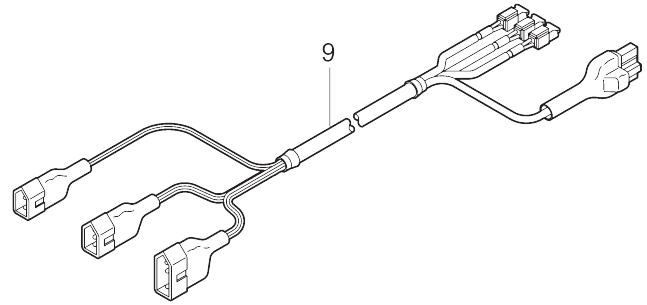
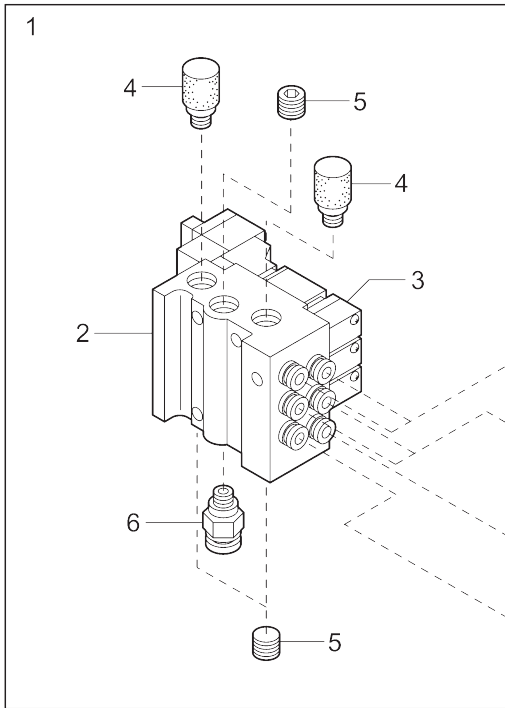


Ref.No	PartsNo.	Description	品 名	Amt. Req
1	4301310 [4301111]	Cylinder Top Cover	氣缸頂蓋	1
2	190077	Screw(M4-0.7×10)	螺絲(M4-0.7×10)	6
3	4301112	Air Cylinder Bracket	氣缸支架	1
4	009747	Screw(M4-0.7×10)	螺絲(M4-0.7×10)	4
5	1091182 [1091170]	Air Cylinder	氣缸	1
6	009744	Screw(M3-0.5×10)	螺絲(M3-0.5×10)	1
7				
8				
9	1094059	Elbow Fitting(Φ4-M5)	彎頭接頭(Φ4-M5)	1
10	4301309 [4301113]	Collar	領圈	1
11	120047	Screw(M3-0.5×8)	螺絲(M3-0.5×8)	1
12	0000022	Nut	螺母	1
13	4301114	Connecting Holder	連接支架	1
14	4301308	Driving Rod Unit	驅動杆組件	1
15	190085	Screw(M5-0.8×4.3)	螺絲(M5-0.8×4.3)	1
16	4301115	Holder Guide(Left)	導向支架(左)	1
17	4301117	Holder Guide(Right)	導向支架(右)	1
18	001123	Washer	墊片	2
19	006202	Screw(M4-0.7×6)	螺絲(M4-0.7×6)	2
20	000507	Washer	墊片	1
21	1094060	Connector(Φ4-M5)	接頭(Φ4-M5)	1
22	1094032	Connector(Φ4)	接頭(Φ4)	1
23	1095007	Speed Controller	控速器	1
24	1096029	Air Tube(4×2.5mm)(Black)	氣管(4×2.5mm)(黑色)	-
25	009744 [120047]	Screw(M3-0.5×10)[M3-0.5×8]	螺絲(M3-0.5×10)[M3-0.5	1



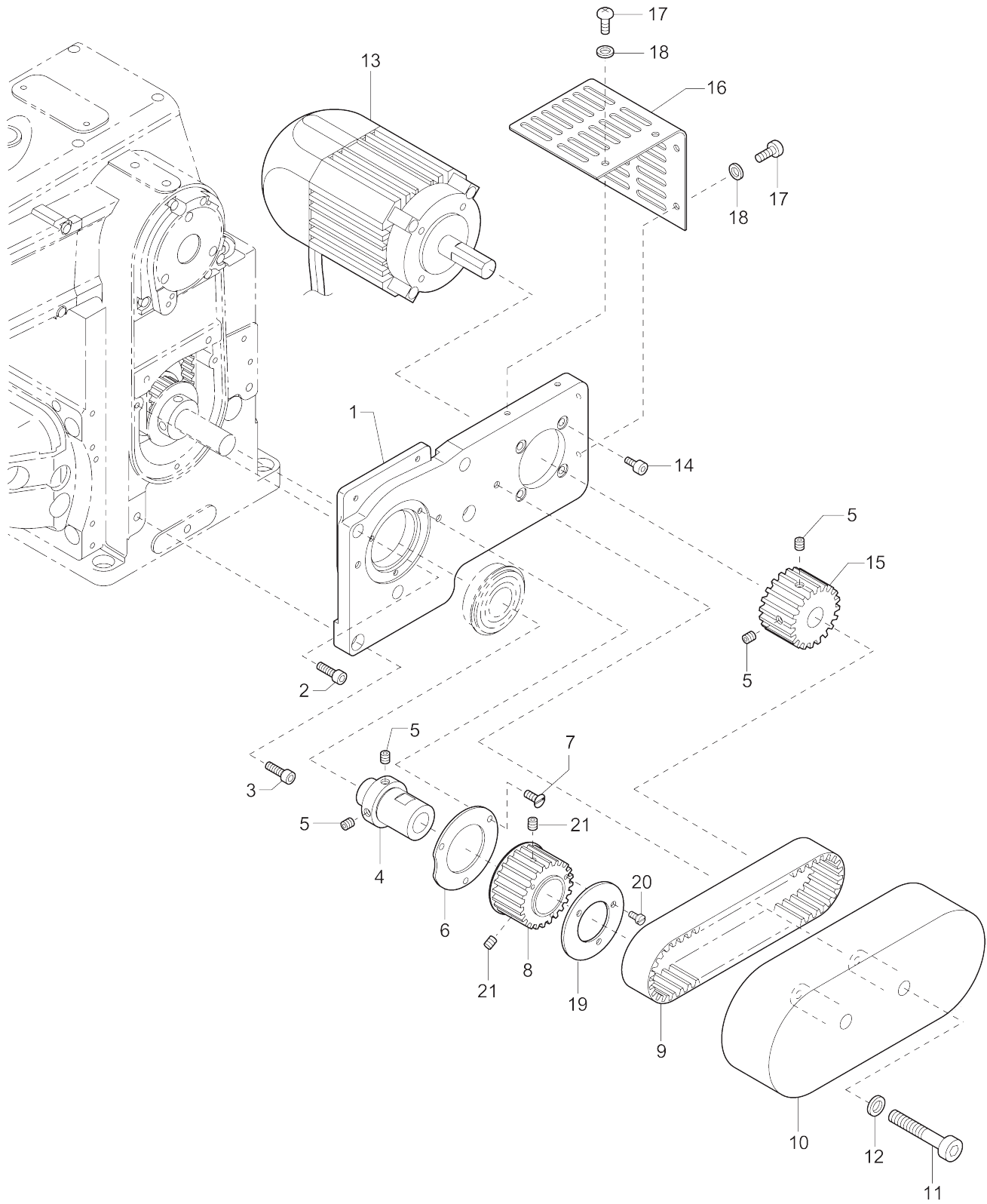
Ref.No	PartsNo.	Description	品 名	Amt. Req
1	1097009	Regulator	調整器	1
2	110017	Screw(M5-0.8×8)	螺絲(M5-0.8×8)	2
3	000600	Spring Washer	彈簧墊片	2
4	000426	Washer	墊片	2
5	1253240	Regulator Support	調節器支架	1
6	006905	Wood Screw(φ 5.1×20)	木螺絲(φ 5.1×20)	2
7	1098015	Hose Band	軟管帶	1
8	0010108	Hose Union	軟管接頭	1
9	0010264	Fitting(φ 6-PT1/4)	接頭(φ 6-PT1/4)	1
10	1096030	Air Tube(6×4mm)(Black)	氣管(6×4mm)(黑色)	-
11	0011795	Wrapping Band(2.3×92)	包裹帶(2.3×92)	2
12	1066159 [1066144]	Switch Unit	開關組件	1
13-1	1070199	R Connector	R型接頭	1
13-2	1070203	RO Connector(with out Y Motor)	RO接頭(無Y電機)	1
14	1091147	Air Cylinder	氣缸	1
15	3201037	Cylinder Rod Chip	氣缸杆晶片	1
16	0010055	Fitting(φ 4-PT1/8)	接頭(φ 4-PT1/8)	2
17	1096029	Air Tube(4×2.5mm)(Black)	黑色風管(4×2.5mm)	-
18	4301140	Cylinder Bracket	氣缸支架	1
19	000663	Washer	墊片	2
20	006210	Screw(M6-1×12)	螺絲(M6-1×12)	2
21	0036133	Cord Clamp(5N-Φ8.4)	線夾(5N-Φ8.4)	1
22	110094	Screw(M4-0.7×6)	螺絲(M4-0.7×6)	1
23	110089	Screw(M4-0.7×35)	螺絲(M4-0.7×35)	2
24	4301142	Tension Release Cylinder Support	釋放張力氣缸支架	1
25	000538	Washer	墊片	2
26	009746	Screw(M4-0.7×8)	螺絲(M4-0.7×8)	2
27	0023381	Cord Clamp(6N-Φ10.6)	線夾(6N-Φ10.6)	1
28	110094	Screw(M4-0.7×8)	螺絲(M4-0.7×8)	1
29	150011 ◆	Screw(M2.5-0.45×4)	螺絲(M2.5-0.45×4)	1

BTS, ETS, ATS



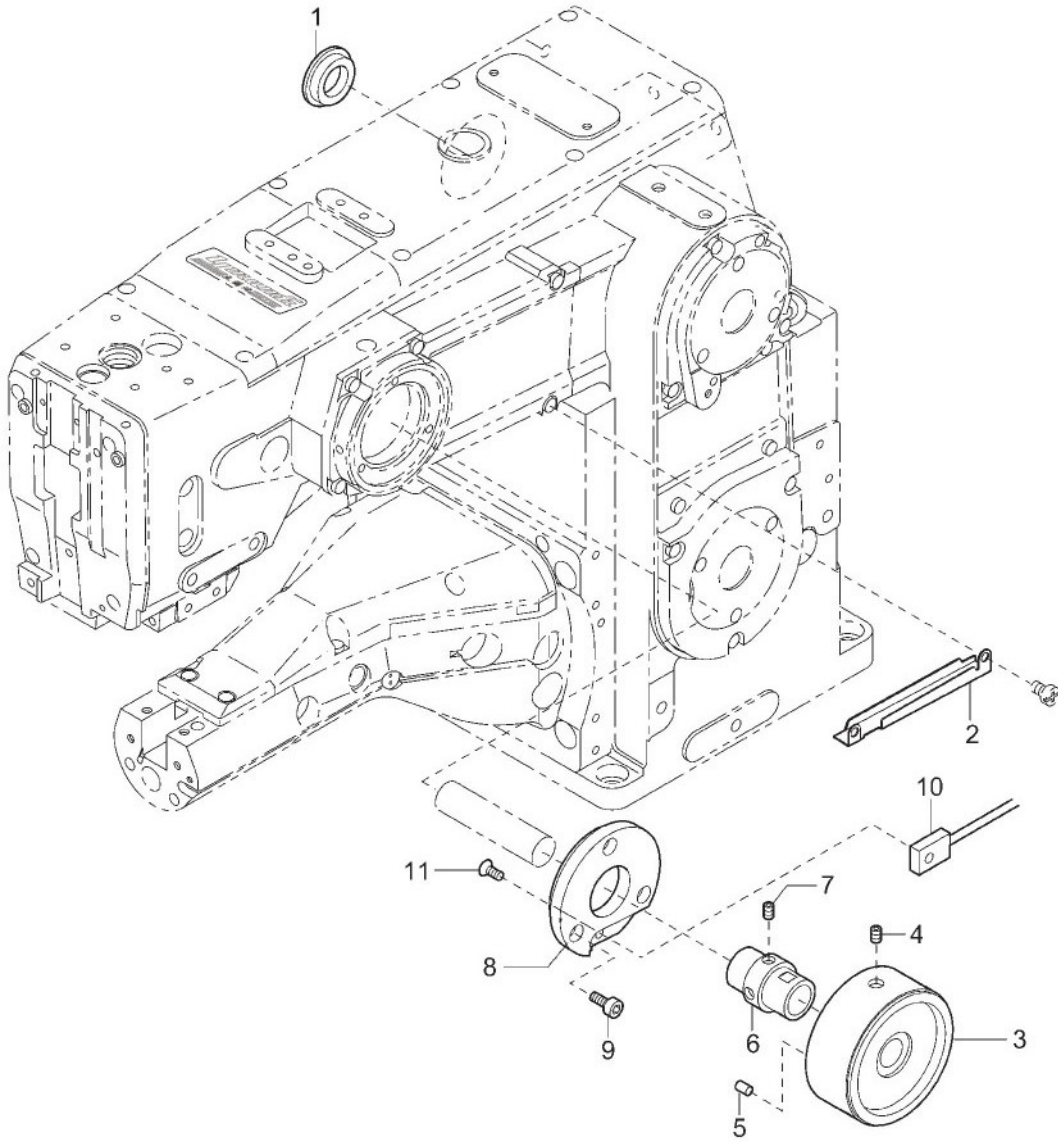
Ref.No	PartsNo.	Description	品 名	Amt. Req
1	1090266	Solenoid Valve, C. Set	電磁閥, C.組	1
2	1090185	Manifold	分配器	1
3	1090242	Solenoid Valve	電磁閥	3
4	1097007	Silencer	消音器	2
5	0010119	Blank Plug	空白塞	3
6	1094056	Fitting(φ 6-PT1/8)	接頭(φ 6-PT1/8)	1
7	1096029	Air Tube(4x2.5mm)(Black)	氣管(4x2.5mm)(黑色)	-
8	1094055	Plug	塞子	1
9	1200452	Intermediate Cable(UT-A34)	中間電纜(UT-A34)	1
10	1090266	Solenoid Valve, C. Set	電磁閥, C.組	1
11	1090185	Manifold	分配器	1
12	1090242	Solenoid Valve	電磁閥	3
13	1097007	Silencer	消音器	2
14	0010119	Blank Plug	空白塞	3
15	1094056	Fitting(φ 6-PT1/8)	接頭(φ 6-PT1/8)	1
16	1096029	Air Tube(4x2.5mm)(Black)	氣管(4x2.5mm)(黑色)	-
17	1200452	Intermediate Cable(UT-A34)	中間電纜(UT-A34)	1

ETS, ATS DEVICE(1)



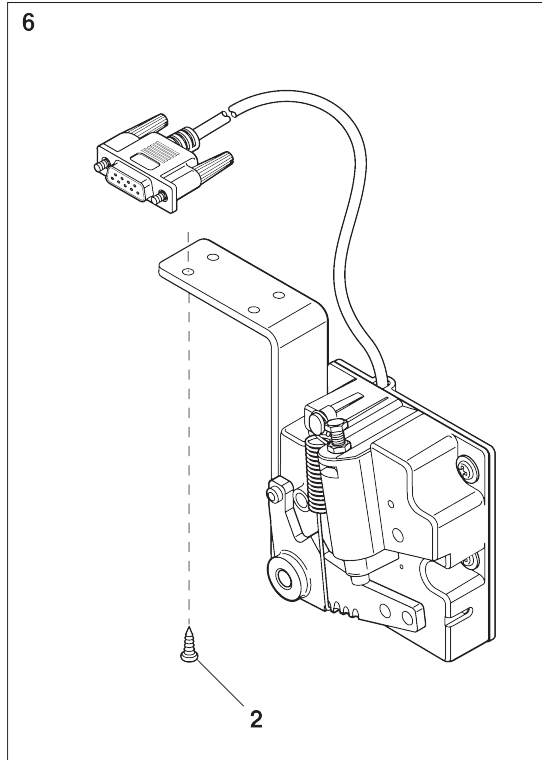
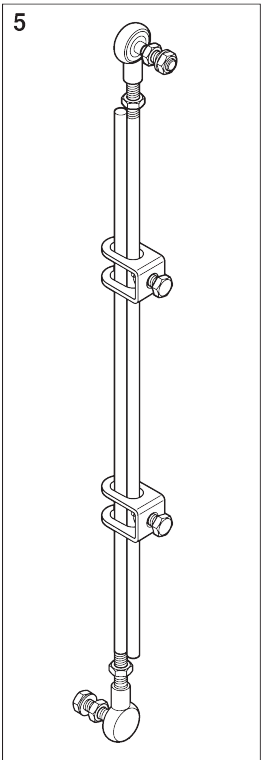
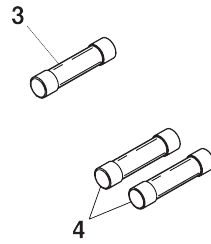
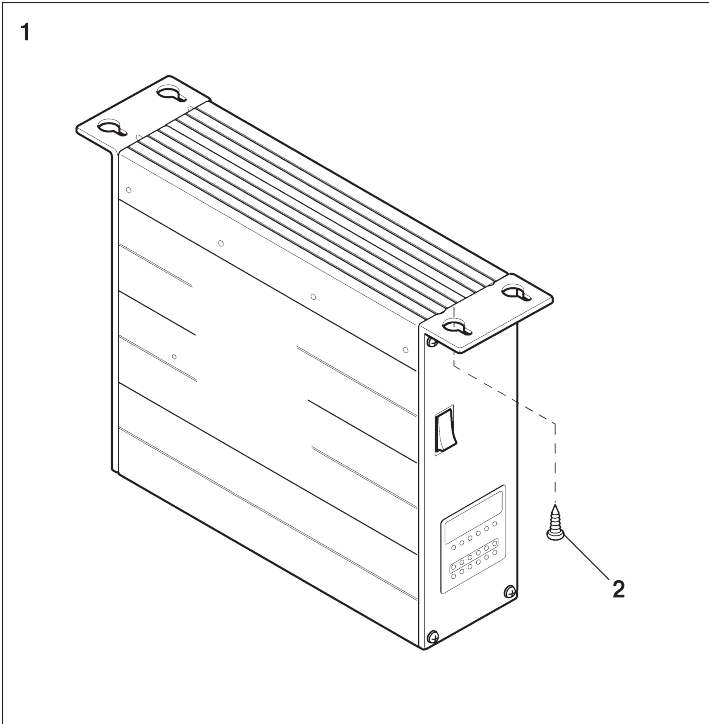
Ref.No	PartsNo.	Description	品 名	Amt. Req
1	4301160	Motor Bracket	電機支架	1
2	120001	Screw(M4-0.7×14)	螺絲(M4-0.7×14)	3
3	120011	Screw(M6-1 × 18)	螺絲(M6-1 × 18)	2
4	4301166	Motor Adapter	電機適配器	1
5	009740	Screw(M6-1 × 10)	螺絲(M6-1 × 10)	4
6	4301167	Ball Bearing Stopper	滾珠軸承止動器	1
7	130021	Screw(M4-0.7×4.3)	螺絲(M4-0.7×4.3)	3
8	4301177	Pulley(Front)	滑輪 (前)	1
9	4301165	Timing Velt	定時皮帶	1
10	4301162	Velt Cover	皮帶罩	1
11	009806	Screw(M5-0.8×25)	螺絲(M5-0.8×25)	2
12	300043	Washer	墊片	2
13	9613360	Motor	馬達	1
14	120030	Screw(M5-0.8×12)	螺絲(M5-0.8×12)	4
15	3501415	Pulley(Large)	大滑輪	1
16	4301161	Motor Cover	電機罩	1
17	110013	Screw(M4-0.7×8)	螺絲(M4-0.7×8)	4
18	000538	Washer	墊片	4
19	4301178	Flange	法蘭	1
20	110009	Screw(M4-0.7×8)	螺絲(M4-0.7×8)	3
21	160024	Screw(M6-1×8)	螺絲(M6-1×8)	2

ETS, ATS DEVICE(2)



Ref.No	PartsNo.	Description	品 名	Amt. Req
1	4300059	Cap	蓋子	1
2	4301155	Cord Holding Plate	線纜固定板	1
3	4301156	Handwheel	手輪	1
4	009740	Screw(M6-1 × 10)	螺絲(M6-1 × 10)	2
5	0092305	Magnet	磁鐵	1
6	4301157	Handwheel Adapter	手輪適配器	1
7	160004	Screw(M6-1 × 4.8)	螺絲(M6-1 × 4.8)	2
8	4301154	Rotation Detector Plate	旋轉檢測板	1
9	009747	Screw(M4-0.7×10)	螺絲(M4-0.7×10)	3
10	1200500	Rotation Detector Unit	旋轉檢測單元	1
11	230016	Screw(11/64-40×4.8)	螺絲(11/64-40×4.8)	1

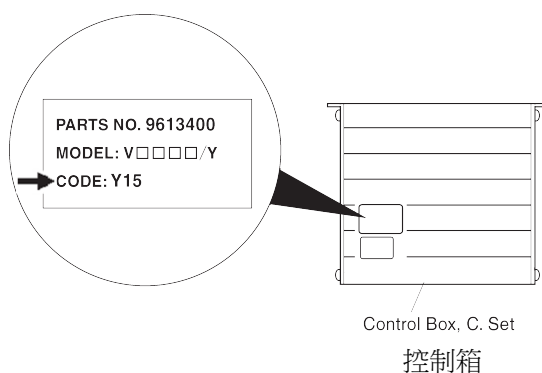
ETS, ATS DEVICE(3)



Ref.No	PartsNo.	Description	品 名	Amt. Req
1	9613400 [9613365]	Control Box, Complete Set(Note)	控制箱，套裝（注釋）	1
2	350014	Wood Screw(φ 5x25)	木螺絲(φ 5x25)	8
3	1070204 [1070181]	Fuse(1A)	保險絲(1A)	1
4	1070205 [1070182]	Fuse(15A)	保險絲(15A)	2
5	9611077	Pitman	偏心輪	1
6	9613362	Pedal Sensor, Complete Set	踏板感測器，完整套裝	1

Note: When ordering the Part No. 9613400 of Ref. No. 1, please inform us of the CODE that describes to the sticker on the side of the Control Box, C. Set with Part No..

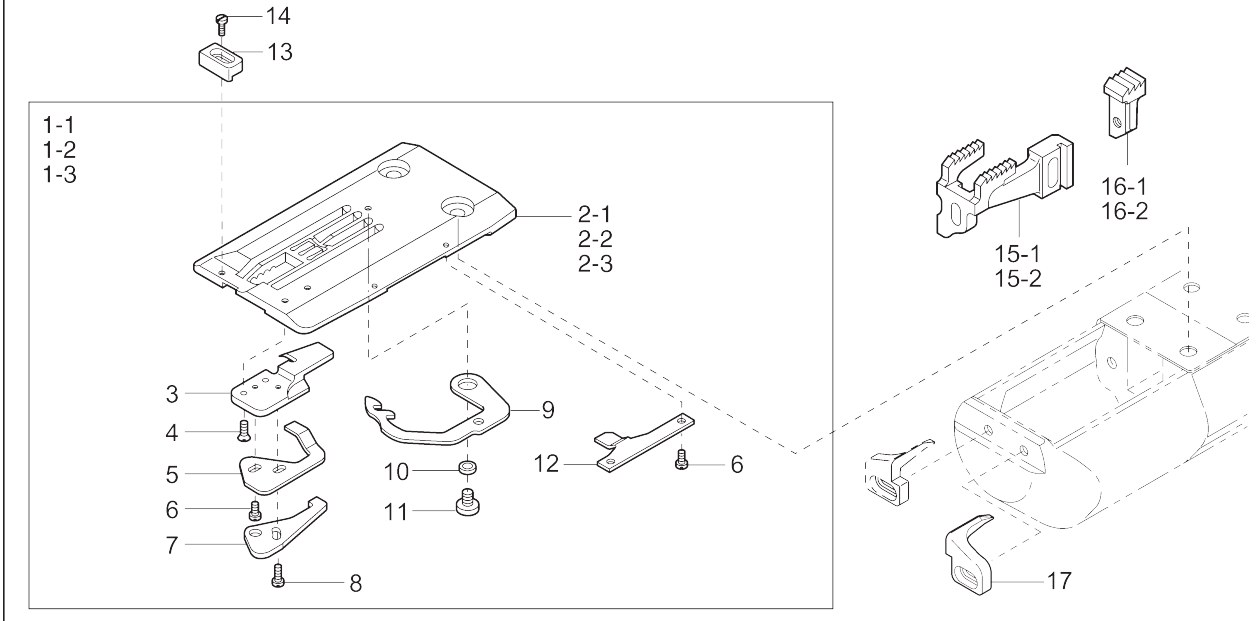
注釋：在訂購參考編號1的零件號9613400時，請告知我們描述控制箱側面貼紙的代碼，C.套裝帶有零件號。



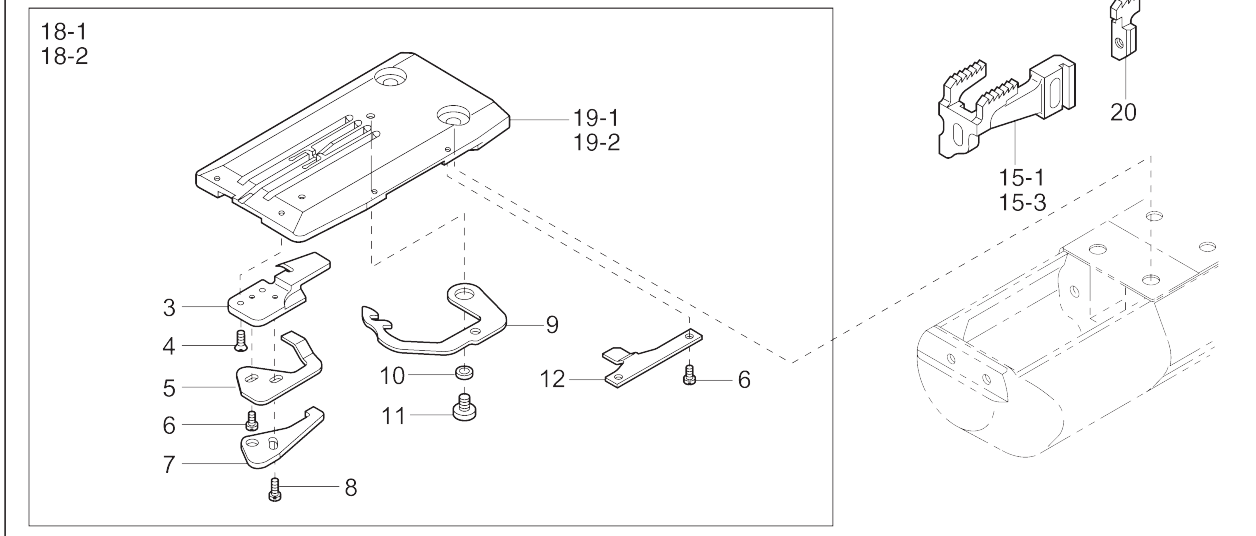
VTS1500-□□□/ BTS, □□□-1/ BTS EXCLUSIVE PARTS

VTS1500-256M/ BTS, 356M/ BTS
 VTS1500-256L/ BTS, 356L/ BTS

VTS1500-264M/ BTS, 364M/ BTS



VTS1500-248M-1/ BTS, 348M-1/ BTS
 VTS1500-256M-1/ BTS, 356M-1/ BTS

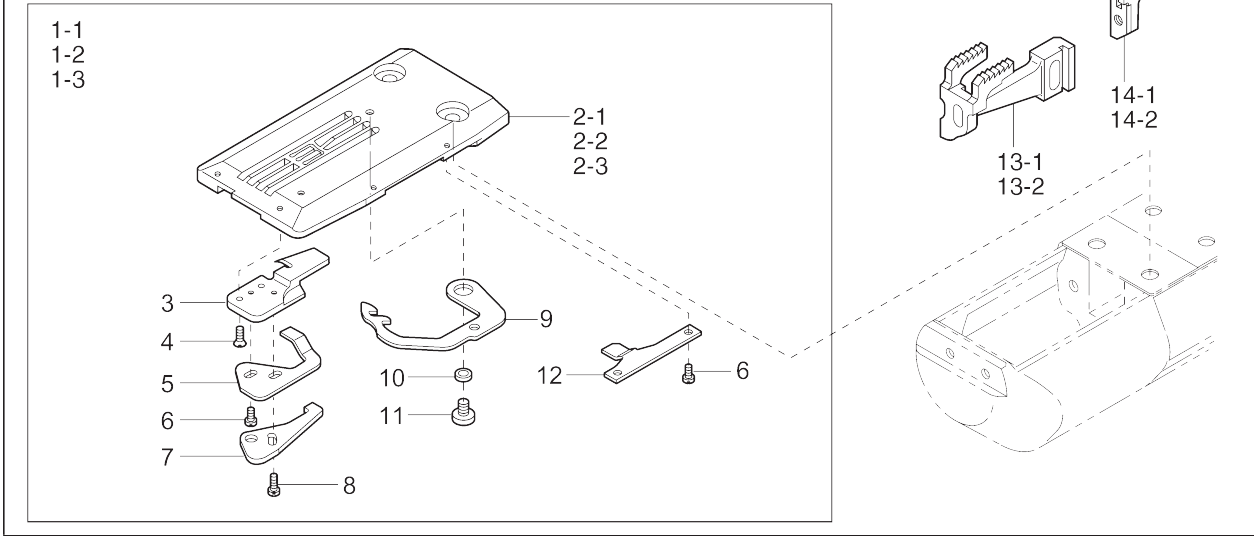


Ref.No	PartsNo.	Description	品 名	Amt. Req
1-1	4308273	Stitch Plate, C. Set(56M)	針板, C.套裝(56M)	1
1-2	4308274	Stitch Plate, C. Set(64M)	針板, C.套裝(64M)	1
1-3	4308278 ◆	Stitch Plate, C. Set(56L)	針板, C.套裝(56L)	1
2-1	4308173	Stitch Plate(56M)	針板(56M)	1
2-2	4308174	Stitch Plate(64M)	針板(64M)	1
2-3	4308178 ◆	Stitch Plate(56L)	針板(56L)	1
3	4301302	Fixed Trimming Knife	固定修剪刀	1
4	130005	Screw(M2-0.4×4)	螺絲(M2-0.4×4)	2
5	4301303	Thread Clamp	線夾	1
6	110034	Screw(M2-0.4×2)	螺絲(M2-0.4×2)	3
7	4301304	Adjusting Plate	調整板	1
8	110023	Screw(M2-0.4×3.5)	螺絲(M2-0.4×3.5)	2
9	4301301	Movable Trimming Knife	可動修剪刀	1
10	4301122	Movable Trimming Knife Sleeve	可動修剪刀套筒	1
11	110054	Screw(M3-0.5×2.6)	螺絲(M3-0.5×2.6)	1
12	4301305	Movable Trimming Knife Presser	可動修剪刀壓板	1
13	4301048	Fabric Guide(Left, Lower)	面料導向器(左, 下)	1
14	110023	Screw(M2-0.4×3.5)	螺絲(M2-0.4×3.5)	1
15-1	4309007	Differential Feed Dog(56)	差動送料牙(56)	1
15-2	4309008	Differential Feed Dog(64)	差動送料牙(64)	1
15-3	4309006 ◆	Differential Feed Dog(48)	差動送料牙(48)	1
16-1	4309041	Differential Feed Dog(Middle)(56)	差動送料牙(中)(56)	1
16-2	4309042	Differential Feed Dog(Middle)(64)	差動送料牙(中)(64)	1
17	4301039	Fabric Guide(Right)	面料導向器(右)	1
18-1	4308282 ◆	Stitch Plate, C. Set(48M)	針板, C.套裝(48M)	1
18-2	4308283	Stitch Plate, C. Set(56M)	針板, C.套裝(56M)	1
19-1	4308182 ◆	Stitch Plate(48M)	針板(48M)	1
19-2	4308183	Stitch Plate(56M)	針板(56M)	1
20	4309023	Differential Feed Dog(Middle)(48, 56)	差動送料牙(中)(48, 56)	1

VTS1500-□□□-2/BTS

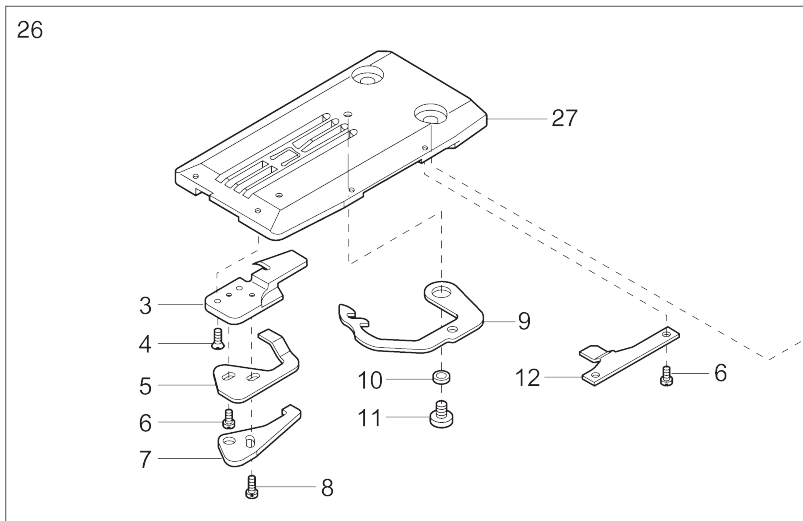
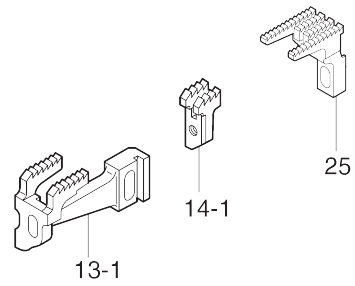
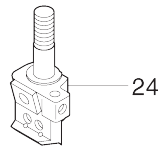
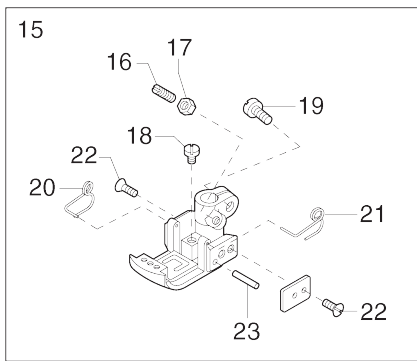
VTS1500-248M-2/BTS, 348M-2/BTS
 VTS1500-256L-2/BTS, 356L-2/BTS

VTS1500-256M-2/BTS, 356M-2/BTS

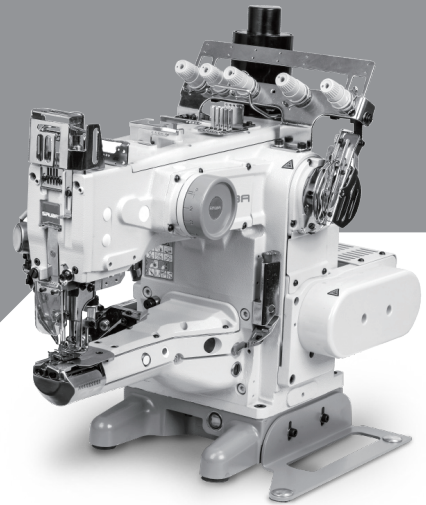


EXTRA PARTS

VTS1500-240M-2/BTS, -340M-2/BTS



Ref.No	PartsNo.	Description	品名	Amt. Req
1-1	4308262	Stitch Plate, C. Set(48M)	針板, C.套裝(48M)	1
1-2	4308263 ◆	Stitch Plate, C. Set(56M)	針板, C.套裝(56M)	1
1-3	4308268	Stitch Plate, C. Set(56L)	針板, C.套裝(56L)	1
2-1	4308162	Stitch Plate(48M)	針板(48M)	1
2-2	4308163 ◆	Stitch Plate(56M)	針板(56M)	1
2-3	4308168	Stitch Plate(56L)	針板(56L)	1
3	4301302	Fixed Trimming Knife	固定修剪刀	1
4	130005	Screw(M2-0.4×4)	螺絲(M2-0.4×4)	2
5	4301303	Thread Clamp	線夾	1
6	110034	Screw(M2-0.4×2)	螺絲(M2-0.4×2)	3
7	4301304	Adjusting Plate	調整板	1
8	110023	Screw(M2-0.4×3.5)	螺絲(M2-0.4×3.5)	2
9	4301301	Movable Trimming Knife	可動修剪刀	1
10	4301122	Movable Trimming Knife Sleeve	可動修剪刀套筒	1
11	110054	Screw(M3-0.5×2.6)	螺絲(M3-0.5×2.6)	1
12	4301305	Movable Trimming Knife Presser	可動修剪刀壓板	1
13-1	4309006	Differential Feed Dog(40, 48)	差動送料牙(40, 48)	1
13-2	4309007	Differential Feed Dog(56)	差動送料牙(56)	1
14-1	4309035	Differential Feed Dog(Middle)(40, 48)	差動送料牙(中)(40, 48)	1
14-2	4309036	Differential Feed Dog(Middle)(56)	差動送料牙(中)(56)	1
15	4307011 ◆	Presser Foot, C. Set(40)	壓腳, C.套裝(40)	1
16	260006 ◆	Screw(1/8-44×9.5)	螺絲(1/8-44×9.5)	1
17	000327 ◆	Nut	螺母	1
18	110084 ◆	Screw(M3-0.5×4.2)	螺絲(M3-0.5×4.2)	1
19	110004 ◆	Screw(M3.5-0.6×8)	螺絲(M3.5-0.6×8)	1
20	3107303 ◆	Presser Foot Spring(Left)	壓腳彈簧(左)	1
21	3107304 ◆	Presser Foot Spring(Right)	壓腳彈簧(右)	1
22	130016 ◆	Screw(M2.5-0.45×4)	螺絲(M2.5-0.45×4)	4
23	3107306 ◆	Pin	銷釘	1
24	4309101 ◆	Needle Clamp(40)	針夾(40)	1
25	4309014 ◆	Main Feed Dog(40)	主送料牙(40)	1
26	4308261 ◆	Stitch Plate, C. Set(40M)	針板, C.套裝(40M)	1
27	4308161 ◆	Stitch Plate(40M)	針板(40M)	1



高林股份有限公司
KAULIN MFG. CO., LTD.

由於對產品的改良及更新，本產品零件圖及外觀的修改恕不事先通知！

The specification and/or appearances of the equipment described in this parts list are subject to change because of modification which will without previous notice.

LML-19AG03.AUG.2024